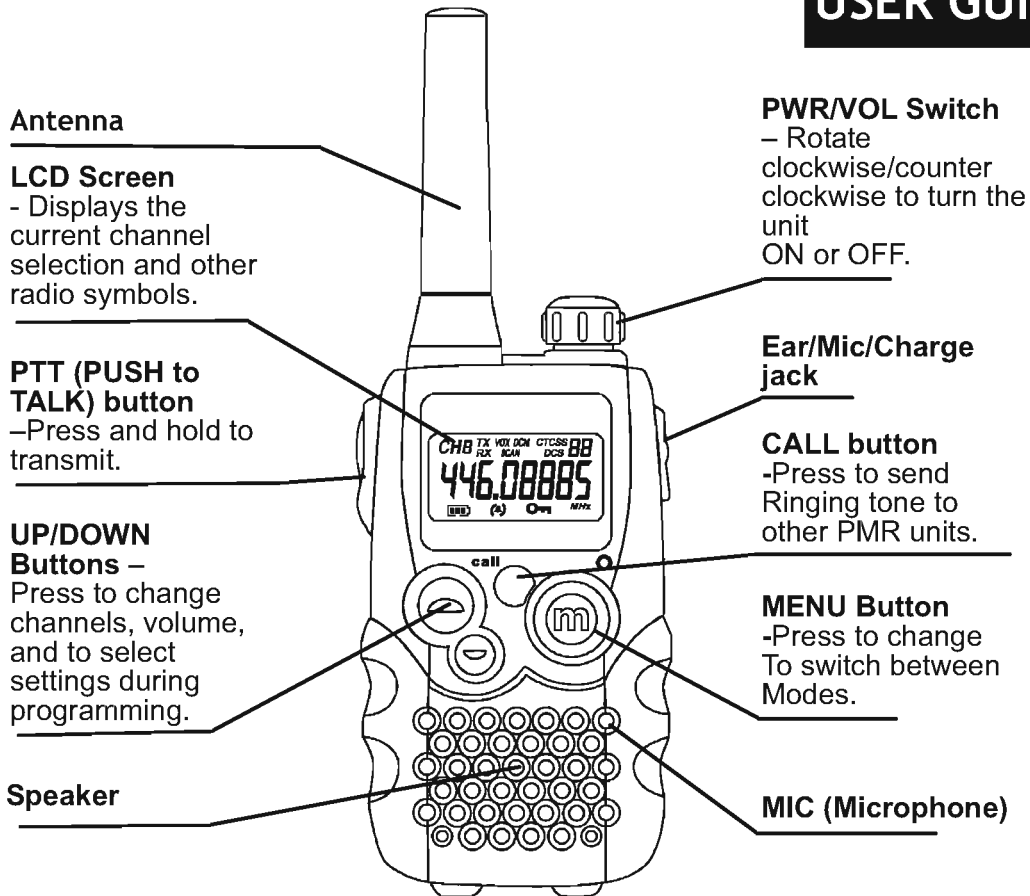


USER GUIDE



1. LCD Screen



8 Channel Number. Changes from 1 to 8 as selected by the user.

88 CTCSS Code. Changes from 1 to 38 as selected by the user.

[Battery Icon] Displays the Battery charge level. When the bars are reduced, the battery needs recharging.

TX Displayed when transmitting a signal.

RX Displayed when receiving a signal.

DCM Displayed when the Dual Watch function is turned ON.

DCS Displayed when the Digital Code System is turned On.

VOX Displayed when the VOX feature is enabled.

SCAN Displays when the PMR is scanning all channels.

[Key Lock Icon] Displayed when the Key Lock feature is activated.

[Volume Icon] Displays the current Speaker volume level.

[Call Signal Icon] Displays when the call signal is ON.

[Vibrator Icon] Displays when the vibrator function is activated.

2. Installation

2.1 Removing the Belt Clip

- Pull the Belt Clip latch forward (away from the SMR 600)
- While pulling the Belt Clip latch, push up the Belt Clip as shown in Figure 1.

2.2 Installing the Belt Clip

- Slide the Belt Clip into the slot as shown in Figure 2. A "click" indicates the Belt Clip is locked into position.

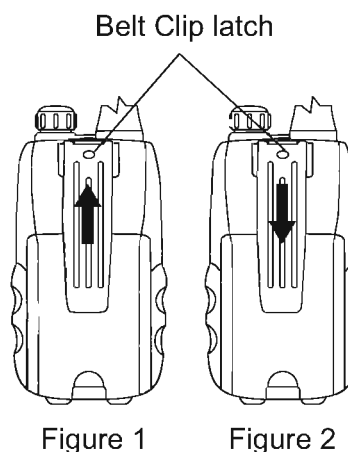


Figure 1

Figure 2

2.3 Installing the Battery pack

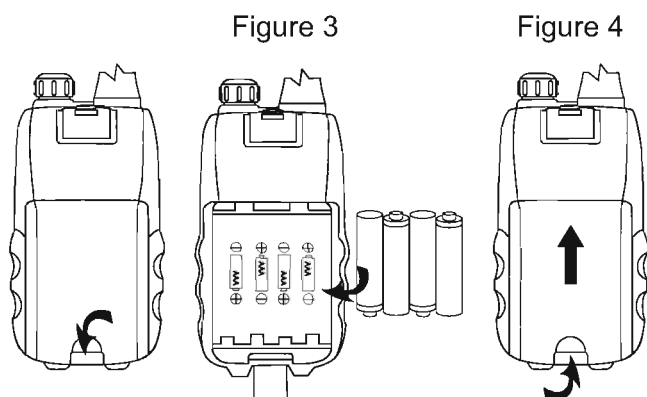


Figure 3

Figure 4

Caution: Observe the proper battery polarity orientation when installing batteries. Incorrect positioning can damage both the batteries and the unit.

- Slide down the Battery Compartment Cover.
- Install the rechargeable battery pack by following the orientation as shown in Figure 3 (the arrow is showing and pointing upward.)
- Replace the Battery Compartment Cover. See Figure 4.

Important

Read these Safety Warnings before you charge the batteries.

When placing the unit in the charger, **use only the power supplies listed in the user instructions supplied with the SMR 600.**

Don't try to recharge non-rechargeable batteries.

Make sure the battery compartment cover is securely locked in place when you are charging the batteries.

Dispose of used batteries safely and in a way that will not harm the environment- never try to burn them or put them anywhere, they could get burnt or punctured.

Don't leave dead batteries in your units.

They might leak if you do.

2.4 Charging the battery batteries

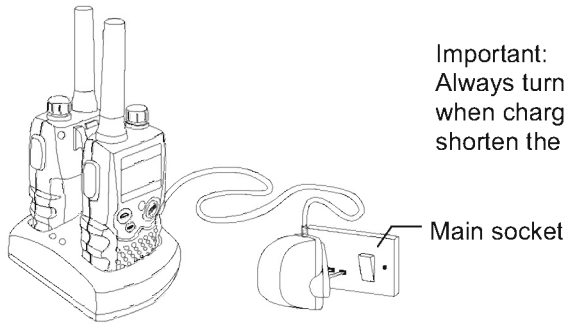
- Insert the small plug on the end of the mains adaptor into the Power-in Connection Jack at the back of the desktop charger.
- Plug the mains adaptor into a 240V AC, 50Hz main socket with the switch on the socket set to OFF.
- Switch ON the main socket.

The SMR 600 must be charged using the mains adaptor provided. Using any other adaptor will result in non-compliance with EN60950-1 and will invalidate any approvals & warranty.

d. Place the units in the charge cradle in an upright position.

The Charge LED indicators will light up.

e. It takes about 10 hours to fully recharge the batteries if they are completely run down. **New batteries take up to 14 hours to fully charge.**



Important:
Always turn off the PMR units
when charging. This will
shorten the charging time.

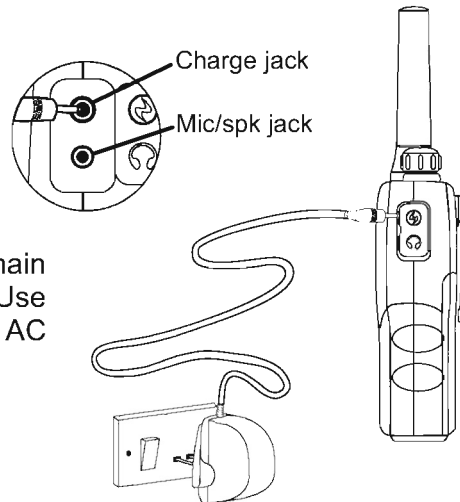
f. Charging the battery batteries (using adaptor)

Lift the charge socket cover located on the right side of the handset.

Insert the round connector of the 9.0V DC/300mA adaptor into the charge jack.

Plug the mains adaptor into a 240V AC, 50Hz main socket with the switch on the socket set to OFF. Use only power supplies listed in the user instruction. AC Adaptor Model – TEE 090P030 .

Then switch ON the main socket.



Battery meter

The battery meter is located in the left corner of the LCD Screen. It appears like a battery with three bars inside. These indicate the amount of power available. When the battery level reaches it minimum level in PMR on mode, unit will emit two beep tones and automatically the unit will power off.



The SMR 600 can detect the battery charge in 4 levels;

Battery charge at high level.



Battery charge at medium level.



Battery charge at low level. At this level, the SMR 600 will emit a “beep” sound for every 10 seconds in normal mode.

Important: Charge the unit for 10-14 hours.



Battery charge at very low level. When the battery level reach it minimum level , unit will emit two beep tone and automatically turn off the power and proceeds to watch mode.

Important: Charge the unit for 10-14 hours.

CAUTION : Risk of explosion if battery is replaced by an incorrect type. Disposed of used batteries according to the instructions.

Battery life

The SMR 600 has a built in power saver to make the batteries last longer. But when you are not using the units, turn them OFF to conserve battery power.

3. Operation

3.1 Transmitting range

The talk range depends on the environmental and terrain. It will be reach (up to about 8km) in wide open spaces, without obstructions such as hills or buildings. Don't try to use two PMR units which are less than 1.5m (5feet) apart. Otherwise, you may have experience interference.

Important safety warning

To reduce radio frequency exposure when you are using your SMR 600, hold the unit at least 5cm (2 inches) away from your face.

Never use your SMR 600 outdoors during a thunderstorm.

Don't use the SMR 600 in the rain.

If your SMR 600 gets wet, turn it off and remove he battery. Dry the battery compartment and leave the cover off for a few hours. Don't use the unit until it is completely dry.

Keep the SMR 600 out of reach babies and young children.

3.2 Turning the Unit ON/OFF



To Turn ON;

a. Rotate the **POWER/VOL** button clockwise until the LCD Screen turns ON and displays the current channel.

To switch OFF;

b. Rotate the **POWER/VOL** button counter clockwise until the LCD screen turns blank.

Note: Every time you rotate the Power/Vol button to turn ON, the volume will also open. The volume level will increase or decrease by rotating the Power/Vol button.

3.3 Changing Channels

The SMR 600 has 8 available channels, to communicate with other SMR 600 users within a range, you must all have your SMR 600t tuned to the same channel.



a. Press the **MENU** button once, the current channel number flashes on the LCD Screen.



b. Press the **UP** or **DOWN** button to select the desired channel. The channel changes from 1 to 8, or vice versa.



c. Press the **PTT** button to confirm the channel setting.

Note: Refer to the "Channel Table" section of this Owner's Manual for detailed frequency listing.

3.3.1 Setting the CTCSS sub-channel

Each channel also has 38 sub-channels to let you set up group of users within the same channel for more private communication. If you have set the sub-channel, you can only communicate with other PMR users tuned to the same channel and sub-channel.

To turn the sub-channel function off, simply set the sub- channel to 0 (zero). You can communicate with any SMR 600 user set to the same channel who also turns off the sub-channel operation (or whose have unit does not have the feature).



a. Press the **MENU** button twice, the current CTCSS sub-channel number flashes on the LCD Screen.



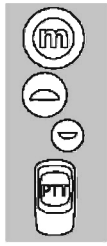
b. Press the **UP** or **DOWN** button to select one of the 38 CTCSS sub-channels.



c. Press the **PTT** button to confirm the sub-channel setting.

3.3.2 SETTING THE DCS ADVANCED DIGITAL CODE.

Each channel also has 83 digital codes to let you set up group of users for more secured private communication.



- Press the **MENU** button 3 times. DCS code is blinking on the LCD screen.
- Press the **UP** or **DOWN** button to select the desired DCS code.
- Press the **PTT** button to confirm the DCS channel setting.

Transmitting and Receiving

- ! **The SMR 600** transmission is “one way-at-a-time.” While you are speaking, you can not receive a transmission.
- ! **The SMR 600** is an open-license band. Always identify yourself when transmitting on the same channel.

3.4 Transmitting (sending a speech)

The unit is continuously in the Receive mode when the unit is turned ON and not transmitting. When a signal is received on the current channel, “**RX**” icon will be displayed on the LCD Screen and the receiver LED lights up.

3.5 Transmitting (sending a speech)



- Press and hold the **PTT** (push to talk) button to transmit your voice. “**TX**” icon will be displayed on the LCD Screen.
- Hold the unit in a vertical position with the MIC (Microphone) 5 cm away from the mouth. While holding the **PTT** button, speak into the **MIC** (microphone) in a normal tone of voice.
- Release the **PTT** button when you have finished transmitting.

3.6 Monitor

You can use the Monitor feature to check for weak signals on the current channel.

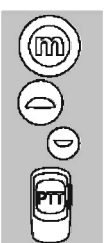


- Press and hold the **MENU** and **DOWN** buttons at the same time. “**RX**” icon will be displayed on the LCD Screen. Your SMR 600 will pick up signals on the current channel, including background noise.
- Press the **MENU** button to stop the channel monitoring.

3.7 Setting the VOX (Voice Activated) Sensitivity

In VOX mode, the SMR 600 will transmit a signal only when it is activated by your voice or other sounds around you. The unit will transmit further for 2 seconds even if you stop talking.

The level of VOX sensitivity is shown by a number on the LCD Screen. At the highest level, the units will pickup softer noise (including background noise); at the lowest level, it will pick up only quite loud noise.



- Press the **MENU** button 4 times, “**VOX**” icon will be displayed and “**OFF**” flashes on the LCD Screen.
- Press the **UP** button to set the VOX sensitivity into maximum level (the maximum level is “3”). To deactivate the VOX function, press the **DOWN** button until “**OF**” appears on the LCD Screen.
- Press the **PTT** button to confirm your setting. “**VOX**” will steadily appear on the LCD Screen as long as the VOX feature is activated.

VOX operation is not recommended if the SMR 600 will be used in a noisy or windy environment.

3.8 Activating the Auto Channel Scan

Channel scan perform searches for active signals in an endless loop for all 8 channels, 38 CTCSS codes and all 83 DCS codes.

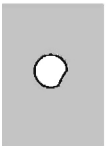


- Press the **MENU** button 5 times, “**SCAN**” icon will display on LCD Screen.
- Press the **UP** or **DOWN** button to begin scanning channels when an active signal is detected, channel scan pauses on the active channel.
- Press the **MENU** button six times, CTCSS flashes on the LCD screen press the **UP** or **DOWN** button to begin scanning the CTCSS from 1-38.
- Press the **MENU** button seven times, DCS flashes on the LCD screen. Press the **UP** or **DOWN** button to begin scanning DCS code 1-83.
- Press the **PTT** button to confirm your setting.

3.9 Vibrator and Call alert

Your unit can alert you to incoming signal by emitting an audible call tone and vibration signal.

4 Call-Ring tone



You can send a Call-ring tone to other PMR users to give an alert that you want to communicate with them.

Press the **CALL** button

You will hear a ring tone for about two seconds; “**TX**” icon appears on the LCD Screen. Any other units within the transmitting range and tuned to the same channel and sub-channel (if applicable) will hear the Call-ring tone.

4.1 Selecting a Call- Ring tone

The SMR 600 is equipped with 15 different types of Call-Ring tones.



- Press the **MENU** button 8 times, the “C 1” icon will display and blinking on the LCD Screen.
- Press the **UP** or **DOWN** button to select the desired Call-ring tone. A respective Call- Ring tone sound will be played when changing from one tone to another.
- Press the **PTT** button to confirm your setting.

4.2 Activating the Vibrator mode



- Press the **MENU** button 9 times; “3” flashes on the LCD Screen.
- Press the **UP** or **DOWN** button to activate the vibrator function.
- Press the **PTT** button to confirm your setting.

Note: Vibrator and Call tone can be activated at the same.

4.3 Setting the Roger Beep

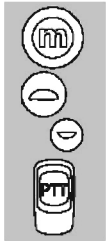
The Roger Beep is a tone which is automatically transmitted whenever the PTT button is released. This alerts the receiving party to inform that you have intentionally ended the transmission, and you are now in receive mode.



- Press the **MENU** button 10 times, the “ON” icon is blinking on the LCD Screen.
- Press the **UP** or **DOWN** button to select the Roger beep On/Off.
- Press the **PTT** button to confirm your setting.

4.4 Setting the Key Tone ON or OFF

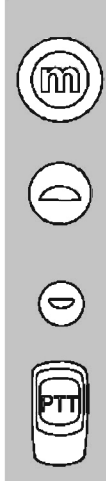
This feature allows the SMR 600 to emit a confirmation tone after pressing each button.



- a. Press the **MENU** button 11 times, the “ON” icon is blinking on the LCD Screen.
- b. Press the **UP** or **DOWN** button to select the Key tone On/Off.
- c. Press the **PTT** button to confirm your setting.

4.5 Setting the Dual Watch Mode

Your SMR 600 is capable of monitoring two channels, the current and another (dual watch) channel. If the unit detects a signal on either channel, it will stop and receive the signal.





- a. Press the **MENU** button 12 times, “DCM” icon will be displayed while “DF” flashes on the LCD Screen.
- b. Press the **UP** or **DOWN** button to select the Dual Watch channel (1-8, except the current channel).
- c. Continue pressing the **MENU** button to change the CTCSS code.
- d. Press the **UP** or **DOWN** button to select the desired CTCSS code (1-38)
- e. Continue pressing the **MENU** button to change the DCS code.
- f. Press the **UP** or **DOWN** button to select the desired DCS code (1-83)
- g. Press the **PTT** button to confirm your setting.

5 Auxiliary Features

5.1 Key Lock



The Key Lock feature allows user to disable the **UP**, **DOWN** and **MENU** buttons so that the SMR 600 settings could not be changed accidentally.

- a. To activate the Key Lock feature, press and hold the **MENU** button until key lock “” icon appears on the LCD Screen.
- b. To deactivate the key Lock feature, press and hold the **MENU** button until key lock “” icon disappears on the LCD Screen.

Note: The **PTT**, and **CALL** buttons will remain functional even if the Key Lock feature is activated.

5.2 LCD Screen Back Light



Every time the Power/Vol button is open (except PTT and CALL button), the LCD Screen back light will illuminate for 5 seconds.

5.3 Microphone/Earphone/Charge Jack



The SMR 600 is equipped with an auxiliary microphone, earphone, and charge jack located at the opposite side of the PTT button.

6. Specifications

Channels Available	8 Channels
CTCSS Sub-channel	38 for each Channel
Output Power (TX)	0.5 W
Range	Up to 8 Km.

Channel Frequency Table

Channel	Frequency (MHz)	Channel	Frequency (MHz)
1	446.00625	5	446.05625
2	446.01875	6	446.06875
3	446.03125	7	446.08125
4	446.04375	8	446.09375

7. Safety

CAUTION **Damaged Antenna**

Do not use any FX-132 that has a damaged antenna. If a damaged antenna comes in contact with the skin, a minor burn may result.

Batteries

All batteries can cause property damage and/or bodily injury such as burns if conductive material such as jewelry, keys, or beaded chains touches exposed terminals. The material may complete an electrical circuit (short circuit) and become quite hot. Exercise care in handling any charged battery, particularly when placing it inside a pocket, purse, or other container with metal objects.

WARNING **For Vehicles with an Air Bag**

Do not place your SMR 600 in the area over an air bag or in the air bag deployment area. Air bags inflate with great force. If a SMR 600 is placed in the air bag deployment area and the air bag inflates, the SMR 600 may be propelled with great force and cause serious injury to the occupants of the vehicle.

Potentially Explosive Atmospheres

Turn your SMR 600 OFF when in any area with a potentially explosive atmosphere, unless it is a type especially qualified for such use (for example, Factory Mutual Approved). Sparks in such areas could cause an explosion or fire resulting in injury or even death.

Batteries

Do not replace or charge batteries in a potentially explosive atmosphere. Contact sparking may occur while installing or removing batteries and cause an explosion.

Blasting Caps and Areas

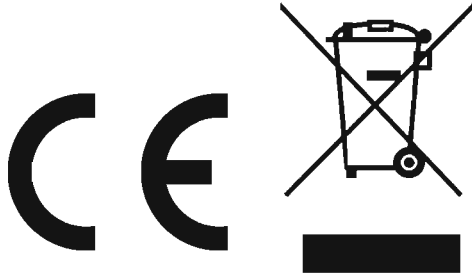
To avoid possible interference with blasting operations, turn your SMR 600 OFF near electrical blasting caps or in a "blasting area" or in areas posted: "Turn off the two way radio." Obey all signs and instructions.

NOTE: *Areas with potentially explosive atmospheres are often, but not always clearly marked. They include fueling areas such as below deck on boats; fuel or chemical transfer or storage facilities; areas where the air contains chemicals or particles, such as grain, dust, or metal powders; and any other area where you would normally be advised to turn off your vehicle engine.*

8. Cleaning and Care

To clean your SMR 600, use a soft cloth dampened with water. Do not use cleaners or solvent, which may cause damage that may not be covered by guarantee.

The CE mark included on the unit, in the manual and on the package means that the product fulfils basic requirements of the R&TTE 1995/EC regulativ and Low volatge regulativ 73/23/EEC. The Declaration of konformity is available on www.sencor.eu .



EN Disposal of Used Electrical & Electronic Equipment

The meaning of the symbol on the product, its accessory or packaging indicates that this product shall not be treated as household waste. Please, dispose of this equipment at your applicable collection point for the recycling of electrical & electronic equipments waste. In the European Union and Other European countries which there are separate collection systems for used electrical and electronic product. By ensuring the correct disposal of this product, you will help prevent potentially hazardous to the environment and to human health, which could otherwise be caused by unsuitable waste handling of this product. The recycling of materials will help conserve natural resources. Please do not therefore dispose of your old electrical and electronic equipment with your household waste. For more detailed information about recycling of this product, please contact your local city office, your household waste disposal service or the shop where you purchased the product.