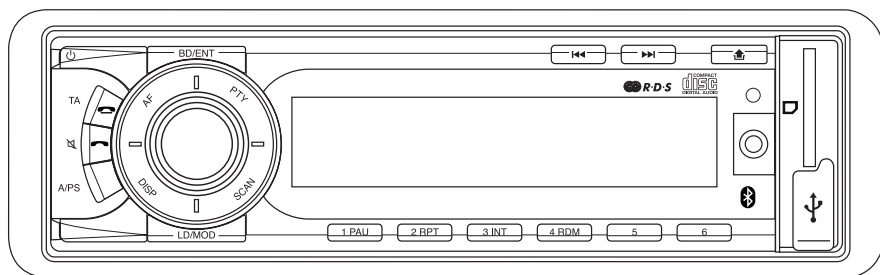


# SENCOR®

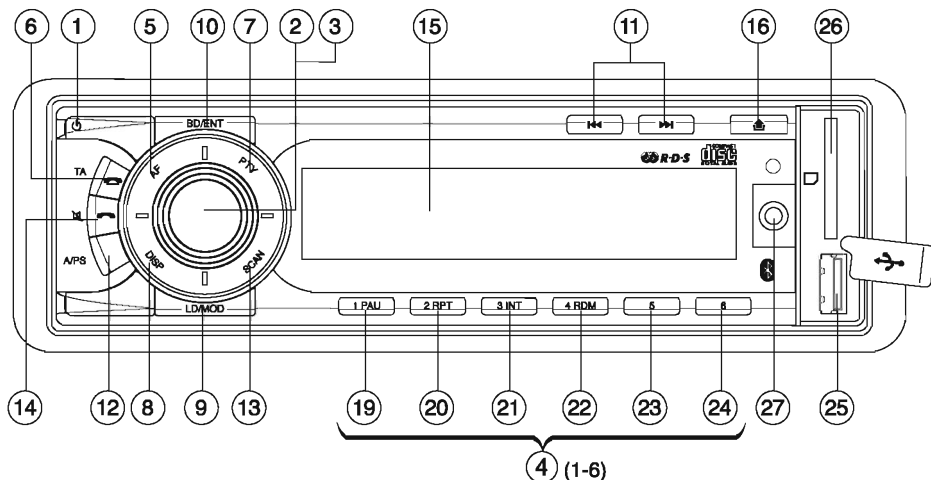
## INSTRUCTION MANUAL

### SCD-7605BMR

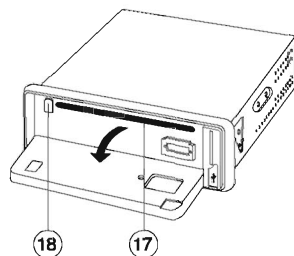


Car Stereo CD/CDR/CDRW/MP3/WMA Player  
with PLL FM Stereo Radio  
Radio Data System with PTY  
USB / MMC / SD Card Input  
Front AUX IN  
Bluetooth Function in Mobile Phone  
Flip Down and Detachable Front Panel System

## LOCATIONS OF PARTS (MAIN UNIT)

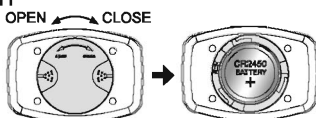


1. POWER ON/OFF ( )
2. FUNCTION SELECT BUTTON: CONTROLS FOR BASS/TREBLE/BALANCE/FADER / INITIAL VOLUME / CT / TA VOL / EON / DSP
3. VOL UP/VOL DOWN BUTTON: CONTROLS FOR BASS/TREBLE/BALANCE/FADER / INITIAL VOLUME / CT / TA VOL / EON / DSP
4. PRESET STATIONS (1,2,3,4,5,6)
5. 'AF' function (ALTERNATIVE FREQUENCIES)
6. 'TA' function (TRAFFIC ANNOUNCEMENT) / END A CALL ( )
7. 'PTY' function (PROGRAM TYPE)
8. DISPLAY BUTTON (DISP)
9. MODE/LOUDNESS BUTTON (LD/MOD)
10. BAND/ENTER BUTTON (BD/ENT)
11. AUTOMATIC OR MANUAL TUNING (FREQ UP OR FREQ DOWN ) CD TRACK/SEARCH BUTTON
12. AUTO SEEK SEARCH TUNING (A/PS)
13. 'SCAN' AUTOMATIC TUNING CONTROL (SCAN)
14. MUTE BUTTON ( ) / ANSWER A CALL ( )
15. LCD DISPLAY
16. OPEN PANEL BUTTON ( )
17. CD SLOT
18. CD EJECT BUTTON ( )
19. PAUSE BUTTON
20. REPEAT BUTTON
21. INTRO BUTTON (Preview all Tracks)
22. RANDOM BUTTON
- 23, 24. FOLDER DOWN/UP (MP3/WMA Files only)
25. USB PORT
26. MULTI-MEDIA CARD (MMC) / SD CARD SLOT
27. FRONT AUX IN



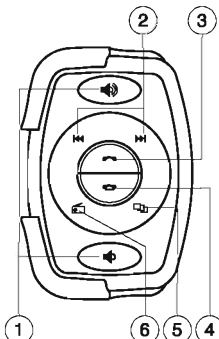
## LOCATIONS OF PARTS (REMOTE CONTROL)

1. VOL UP/VOL DOWN
2. AUTOMATIC OR MANUAL TUNING (FREQ UP OR FREQ DOWN ) CD TRACK/SEARCH
3. ANSWER A CALL ( )
4. END A CALL ( )
5. MODE
6. BAND



Replace the battery (CR2450)

EN-2



# INSTALLATION

## PRECAUTIONS

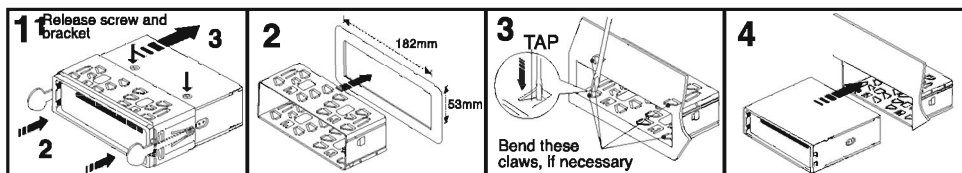
- Choose the mounting location carefully so that the unit will not interfere with the normal driving functions of the driver.
- Avoid installing the unit where it would be subject to high temperatures, such as from direct sunlight or hot air from the heater, or where it would be subject to dust, dirt or excessive vibration.
- Use only the supplied mounting hardware for a safe and secure installation.
- Be sure to remove the front panel before installing the unit.

## Mounting angle adjustment

Adjust the mounting angle to less than 20°.

## MOUNTING EXAMPLE

### Installation in the dashboard



**Note:** Keep the release key in a safe place as you may need it in the future to remove the unit from the car.

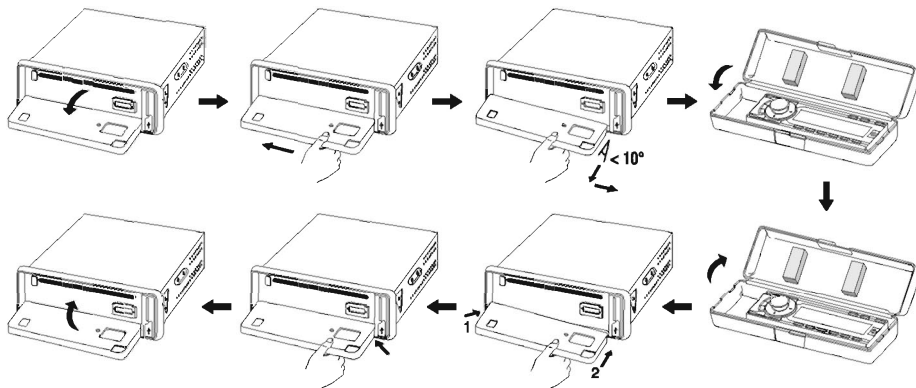
## Detaching and attaching the front panel

The front panel of this unit can be detached in order to prevent the unit from being stolen.

## FOLDING DOWN AND DETACHING/ATTACHING THE FRONT PANEL

Before detaching the front panel, be sure to press the button (1) to OFF first.

Then press the button, let the Front Panel arrive in horizontal position and detach the panel by pulling it towards you as illustrated.



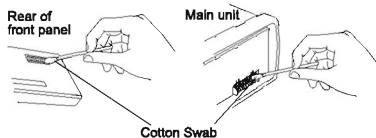
## Notes:

- Do not press the front panel hard against the unit when attaching it. It can be easily attached by pressing it lightly against the unit.
- When you carry the front panel with you, put it in the supplied front panel case.
- Do not press hard or give excessive pressure to the display window of the front panel when attaching it to the unit.

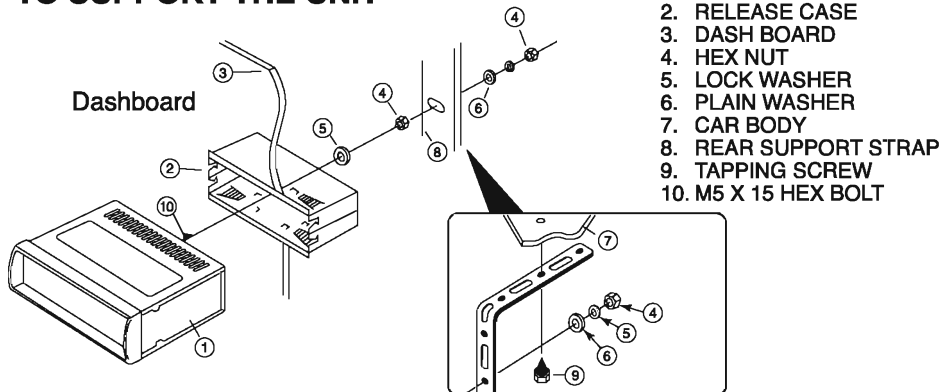
## CLEANING THE CONNECTOR

The unit may not function properly if the connectors between the unit and the front panel are contaminated with dirt. In order to prevent this from happening, detach the front panel by pressing the button and clean the connector from time to time.

Clean the connector with a cotton swab together with contact cleaner as illustrated. Be sure to clean them carefully pin by pin and make sure not to damage the connecting points.



## TO SUPPORT THE UNIT



1. UNIT
2. RELEASE CASE
3. DASH BOARD
4. HEX NUT
5. LOCK WASHER
6. PLAIN WASHER
7. CAR BODY
8. REAR SUPPORT STRAP
9. TAPPING SCREW
10. M5 X 15 HEX BOLT

## WIRE CONNECTION

**RCA Jack Line Out:**  
White (left) Red (right)

**External Microphone:**  
Black

### CONNECTOR A

4. MEMORY +12V
5. AUTO ANTENNA OUTPUT
7. +12V (TO IGNITION KEY)
8. GROUND

**Note:** (connector A no. 7) must be connected by car ignition key in order to avoid that car battery being drained when the car will be not used for long period.

### CONNECTOR B

1. REAR RIGHT SPEAKER (+)
2. REAR RIGHT SPEAKER (-)
3. FRONT RIGHT SPEAKER (+)
4. FRONT RIGHT SPEAKER (-)
5. FRONT LEFT SPEAKER (+)
6. FRONT LEFT SPEAKER (-)
7. REAR LEFT SPEAKER (+)
8. REAR LEFT SPEAKER (-)

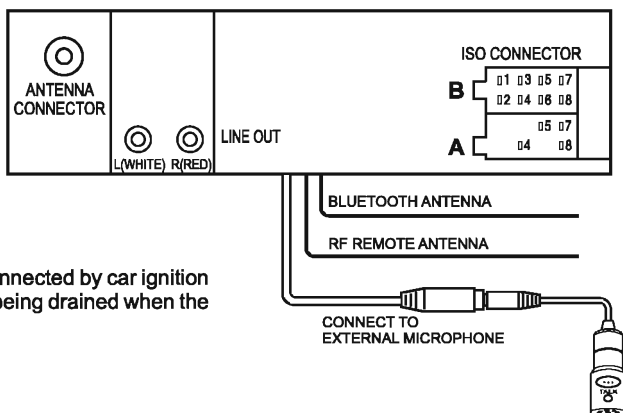
### Maintenance

#### FUSE REPLACEMENT

If the fuse blows, check the power connection and replace the fuse. If the fuse blows again after the replacement, there may be an internal malfunction. In this case, consult your nearest repairing center.

#### Warning

Use the specified amperage fuse for each lead. Use of a higher amperage fuse may cause serious damage.



## OPERATING INSTRUCTIONS

### 1. POWER ON/OFF ( )

Press briefly the (  ) button to switch the radio on.  
To power off hold down the (  ) button longer.

### 2. FUNCTION SELECT BUTTON: BASS/TREBLE/BALANCE/FADER / (INITIAL VOLUME / CT / TA VOL / EON / DSP)

### 3. VOLUME UP/DOWN

Turning VOL knob (right/left) to adjust VOL/BAS/TRE/BAL/FAD. To select other functions, press the VOL knob shortly until the desired functions are shown on the display. Figure 1 shows how to control functions that are selected using the VOL knob.

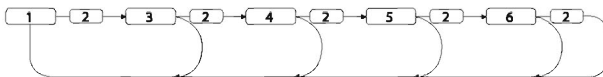


Fig. 1 Selection of sound control functions

1. VOL 2. SEL 3. BASS 4. TRE 5. BAL 6. FAD

Increase or decrease the volume by turning VOL knob (right/left). These buttons can be used to adjust the BASS, TREBLE, BALANCE and FADER.



Press and hold VOL knob to adjust INIT VOL /CT/TA VOL/EON ON/DSP

**IN VOL:** Can adjust Initial Volume level using this mode.

**ADJ:** Can adjust clock time. Turn VOL knob clockwise to set hours and counter clockwise to set minutes.

**TA VOL:** Can adjust TA Volume (The volume level when Traffic announcement is transmitted).

**EON:** Can selected EON condition, ON or OFF.

**DSP:** Can select DSP mode (Classic, POP, Rock, Flat)

### 4. PRESET STATIONS (1,2,3,4,5,6)

When pressed momentarily, these keys select a preset station directly. When pressed longer than 1 sec., current station is stored in preset memory bank.

## USING THE RDS FUNCTION

### What is RDS?

The RDS (Radio Data System) is a digital information system developed by the EBU (European Broadcast Union). Piggy-backed on normal FM broadcasts, RDS offers a variety of information services and automatic retuning functions for RDS-compatible car stereos.

In 1988, RDS became available in the United Kingdom, France, West Germany, Ireland and Sweden. Test transmissions are being conducted in many other European countries. It is expected that RDS will be available in most western European countries in the near future.

### 5. 'AF/REG' function (ALTERNATIVE FREQUENCIES)

When pressed momentarily, AF/REG switching mode is selected.

When AF/REG switching mode is selected, the radio checks the signal strength of the AF all the time. When pressed long, it is activated as regional mode ON/OFF.

– **Regional mode ON:**

AF switching or PI SEEK is implemented to the station which have all PI codes same as current station. REG segment is turned on, in LCD display.

– **Regional mode OFF**

The regional code in the format of PI code is ignored when AF switching or PI SEEK is implemented.

### 6. 'TA' function (TRAFFIC ANNOUNCEMENT)

When pressed momentarily, it is activated as TA mode on or off

When TA mode is on and traffic announcement is transmitted

– When the unit in CD/MP3 mode, it will switch to radio mode temporarily.

– If the volume level was under the threshold point, it will be raised to the threshold point.


– When TP station is received, TP segment is turned on in LCD display.

### 7. 'PTY' function (PROGRAM TYPE)

When pressed momentarily, it is activated as PTY ON/OFF function and start to search corresponding PTY information then stops if the corresponding PTY information is detected.

By pressing this key longer than 2 sec., you can select PTY mode by turning Volume knob as below.



NEWS--AFFAIRS--INFO--SPORT--EDUCATE--DRAMA--CULTURE--SCIENCE--VARIED--POP--ROCK--EASY  
M--LIGHT M--CLASSIC--OTHER M--WEATHER--FINANCE--CHILDREN--SOCIAL--RELIGION--PHONE IN--  
TRAVEL--LEISURE--JAZZ--COUNTRY--NATION. M--OLDIES--FOLK M--DOCUMENT--TEST--ALARM.

8. **DISPLAY (DISP)**  
Press **DISP** button to switch between display informations such as radio frequencies, clock, track and other informations depending on the playing **MODE**.
9. **MODE/LOUDNESS BUTTON (LD/MOD)**  
By pressing this key, user can select. **AUX/TUNER/CD-MP3/USB/SD/MMC/AD2P** mode.  
**LOUDNESS**: By pressing this key longer than 2 sec., you can select **LOUDNESS** mode.
10. **BAND BUTTON (BD)**  
Each band is toggled cyclically by pressing this key **FM1—FM2—FM3**.
11. **AUTOMATIC OR MANUAL TUNING (FREQ UP ►► OR FREQ DOWN ◄◄ )**  
**(A) RADIO MODE**  
When pressed momentarily, these keys are operated as **SEEK** tuning mode.  
When pressed longer than 1 sec., they are operated as **MANUAL** tuning mode.  
**(B) CD/MP3/WMA PLAYER MODE**  
When pressed momentarily, they are operated as **TRACK UP** or **TRACK DOWN** mode.  
When pressed longer than 1 sec., they are operated as **CUE** or **REVIEW** mode.
12. **AUTO SEEK SEARCH TUNING (A/PS)**  
**PS** - By pressing shortly, the radio searches for each preset station. Each preset station will be played for 5 sec.  
**AS** - By pressing longer than 1 sec, the 6 strongest stations are stored in the corresponding preset memory number. When Automatic Scan operation is finish, the radio executes the preset scan.
13. **'SCAN' AUTOMATIC TUNING CONTROL (SCN)**  
Press **SCAN** button to activate radio scan. The unit will search for every station and will play 5 seconds of each station found. To cancel **SCAN**, press the button once more.
14. **MUTE BUTTON ( M )**  
Press this button to turn off the sound. Press it again to return to the previous volume level.
15. **LCD DISPLAY**  
The Liquid Crystal Display will display the current state of the unit.
16. **OPEN THE FRONT PANEL**  
Press (  ) button and the front panel will open.



## CD/MP3/WMA CONTROL LOCATION OF PARTS

### TRACK/SEARCH BUTTON (11)

#### FORWARD AND REVERSE TRACK SEARCH (or changing songs)


Press the **SKIP** button (  or  ) during play to go to the desired track(song).

 ...REVERSE     ...FORWARD

Press and hold the **SKIP** button (  or  ) during play to scan the disc at high speed. When the desired music section of the disc is found, release the button. Normal play will resume.

### 17. CD SLOT

### 18. CD EJECT BUTTON

Press the **EJECT** (  ) button to remove the CD.

### 19. PAUSE BUTTON

During "PLAY", press 'PAU' button to "PAUSE". Press it again to resume play.

### 20. REPEAT BUTTON

When this button is pressed, "RPT ON" indication is displayed and play of the selected track will be continually repeated until the Track repeat mode is cancelled by pressing 'RPT' button again.

### 21. INTRO BUTTON (Preview all Tracks)

When this button is pressed, "INT ON" indication is displayed and the first several seconds of each track of the disc is played. Press again to stop intro and listen to track.

### 22. RANDOM BUTTON

When this button is pressed, "RDM ON" indication is displayed and each track of the disc is played in random instead of normal progression. To cancel **RANDOM** mode, press 'RDM' button again.

### 23, 24. FOLDER DOWN/UP (In case of MP3/WMA files)

**M5**: Folder down / **M6**: Folder up

## **HOW TO SELECT MP3/WMA FILES**

### **1. Searching by Track:**

- Press "A/PS", then search track is activated.
- Turn "VOL" knob to left or right, select first digit desired.
- Press "VOL" knob, then the first digit is fixed and second digit will flash.
- Turn "VOL" knob to left or right, select 2<sup>nd</sup> 3<sup>rd</sup> respectively.
- Press "BD/ENT", the song selected will start.

### **2. Searching by Character:**

- Press "A/PS" twice, then character search mode is activated.
- Turn "VOL" knob to left or right, you can select the desired letter.
- Press "VOL" knob, repeat steps above for 2<sup>nd</sup> 3<sup>rd</sup> character.
- The songs with the same character that you selected is displayed.
- Turn "VOL" knob to left or right, you can select the desired song.
- Press "BD/ENT", then the song selected will start.

### **3. Searching by File Name:**

- Press "A/PS" 3 times, then folder search is activated.
- Turn "VOL" knob to left or right, you can select the desired folder.
- Press "BD/ENT", then the folder is fixed and the first file will be played.

## **Connecting it to Portable Digital MP3 Player**

### **25. USB PORT**

Using USB cable to connect Your Portable Digital MP3 Player.

*\*Not all USB MP3 players types are supported*

### **26. MULTI-MEDIA CARD (MMC) / SD CARD SLOT**

Support MP3/WMA ID3 format music only.

### **\* IMPORTANT INFORMATION:**

*BECAUSE OF THE GREAT VARIETY OF PRODUCTS WITH USB, SD AND MMC CARD PORTS AND THEIR SOMETIMES QUITE MANUFACTURER-SPECIFIC FUNCTIONS WE CAN NEITHER GUARANTEE THAT ALL DEVICES WILL BE RECOGNIZED NOR THAT ALL OPERATING OPTIONS THAT ARE POSSIBLE IN THEORY WILL ACTUALLY WORK.*

### **27. FRONT AUX IN**

Convenient easy to use front "AUX IN" input jack, allows easy connection of Portable Media and other digital MP3 Players.

## **HOW TO USE BLUETOOTH IN YOUR CAR AUDIO**

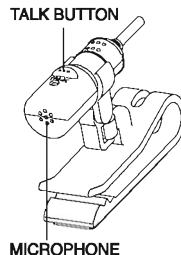
### **How to Perform Pairing**

Before you can dial out from the car stereo, you must first perform PAIRING. Pairing is a procedure used to connect 2 Bluetooth devices together.

1. This unit's Bluetooth function is always on, perform the pairing starting from your cellular phone. Refer to your cellular manual on proper pairing.
2. Perform the search for available Bluetooth devices, "CAR-BT" will show. Enter '0000' when asking for code.
3. After successful pairing, connect to the head unit if it is not automatically connected.

### **How to call / receive calls using wired remote controller**

- When there is incoming call, press TALK button once to answer.
  - During conversation, press TALK button once to end call.
  - To make calls using call history
    1. Press and hold TALK button to display "REDIAL" history.
    2. Using VOL knob on main unit, turn repeatedly to select the phone number you want to make call to and press " " to dial out.
- Note:** Up to 20 phone numbers will be displayed including previous outgoing and incoming calls.  
Outgoing calls dialed from remote control will be automatically saved in call history. Calls made directly on mobile will not be saved.



### **How to make / receive calls using front panel**

- To make calls using call history
  1. Press and hold " " to display "REDIAL" history.
  2. Using VOL knob on main unit, turn repeatedly to select the phone number you want to make call to and press " " to dial out.
- During conversation, press " " button to end call.
- When there is incoming call, press " " button to receive call.
- Press " " button to reject incoming call.

### Audio Streaming

1. If your phone is "A2DP" format is compatible, you can play music in your mobile and the music will be transferred to car audio unit.
2. Make sure your mobile and the car radio unit is paired and connected.
3. Play the music in your mobile according to your mobile operating method.
4. Unit will display "A2DP" when receiving A2DP music automatically, but for some mobile your have to press **LD/ MOD** button to change A2DP mode.
5. You can press **◀** or **▶** on head unit for previous or next tracks.

### RESET

Reset button is placed on the housing.

The reset button is to be activated for the following reason:

- Initial installation of the unit when all wiring is completed.
- All the function button do not operate.
- Error symbol on the display.



## CAUTION & MAINTENANCE

The detachable panel FM car radio with CD player is an example of superior design and craftsmanship. The following suggestions will help you care for the product so that you can have many years of enjoyment.

1. Do not touch the contacts on the front panel or the unit body.
2. The product can only operate on 12V-14V DC power supply, negative ground.
3. Avoid exposing your product to high temperature and humidity.
4. Handle the product with care. Dropping it can damage circuit boards and cause the product to malfunction.
5. Modifying or tampering with internal components can cause damage and invalidate the warranty.
6. Always remove the CD from the unit when it has finished playing or not being used.

### TROUBLESHOOTING GUIDE

SYMPTOM	POSSIBLE CAUSE	SOLUTION
No sound or power	Speaker cord disconnected. Bad power connection.	Check to see that all the power and speaker leads are securely connected.
	Blown fuse.	Replace fuse with same amperage.
No sound in one channel	Mis-adjusted balance control.	Check balance control.
	Damaged speaker wire or speaker.	Reverse left and right channel speaker leads if no sound from other side, check or replace speaker wire. If no sound from both sides, replace both speakers.
Poor FM reception	Insensitive or defective antenna.	Replace with a good sensitivity antenna.
CD sound quality poor	Disc reading malfunction. Disc may be damaged or dirty. Lens may need cleaning.	Try a different disc. Clean Disc with a soft cloth. Insert a quality lens cleaning disc.

### NOTE:

Good ground connections eliminate most electrical noise problems and require tight contact with the metal vehicle chassis. Remove plastics, paint or rust for good electrical contact.



# TECHNICAL SPECIFICATIONS

## CD/MP3/WMA PLAYER SECTION

Signal to Noise Ratio	> 60 dB
Channel Separation	> 50 dB (1kHz)
Frequency Response	20Hz - 20 kHz

## TUNER (FM)

Frequency Range	87.5-108 MHz
Intermediate Frequency	10.7 MHz
Sensitivity	2.8 $\mu$ V
Stereo Separation	37 dB
Signal to Noise Ratio	> 50 dB
Channel Step	50 kHz

## LINE-OUT

Output	1.5V (max.)
Impedance	10k Ohm

## GENERAL

Power Supply	12V DC (10.8-15.6V allowable)
Speaker impedance	4 or 8 ohm
Output power	40W x 4CH

**Note:** Specifications and the design are subject to possible modification without notice due to improvement.

## ELECTRONIC AND ELECTRIC APPLIANCE DISPOSAL INSTRUCTIONS



The meaning of the symbol on the product, its accessory or packaging indicates that this product shall not be treated as household waste. Please, dispose of this equipment at your applicable collection point for the recycling of electrical & electronic equipments waste.

In the European Union and Other European countries which there are separate collection systems for used electrical and electronic product. By ensuring the correct disposal of this product, you will help prevent potentially hazardous to the environment and to human health, which could otherwise be caused by unsuitable waste handling of this product. The recycling of materials will help conserve natural resources. Please do not therefore dispose of your old electrical and electronic equipment with your household waste. For more detailed information about recycling of this product, please contact your local city office, your household waste disposal service or the shop where you purchased the product.



This product is in compliance with the requirements of the regulations of EU on electromagnetic compatibility and electrical safety.

