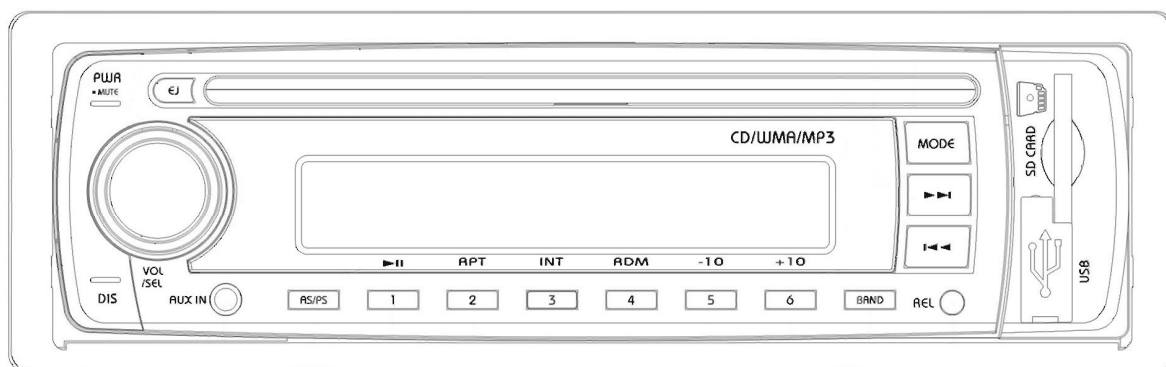


SENCOR®

SCD 5064MR



CAR PLAYER CD/MP3/USB/SD

AUTORÁDIO S PŘEHRÁVAČEM CD/MP3/USB/SD

AUTORÁDIO S PREHRÁVAČOM CD/MP3/USB/SD

CD/MP3/USB/SD AUTÓRÁDIÓ

RADIO SAMOCHODOWE Z ODTWARZACZEM CD/MP3/USB/SD

EN

CZ

SK

HU

PL

TABLE OF CONTENTS

| | |
|--|----|
| BEFORE USING THE CAR RADIO | 2 |
| Unpacking and checking the accessories | 2 |
| DEVICE DESCRIPTION..... | |
| Car radio..... | 3 |
| Display..... | 4 |
| Removing and attaching the front panel..... | 4 |
| WIRING DIAGRAM | 5 |
| 3.5mm AUX INPUT FRONT | 6 |
| INSTALLATION IN DASHBOARD | 8 |
| BASIC OPERATION..... | 9 |
| Power / MUTE button..... | 9 |
| Volume knob / System setting..... | 9 |
| AS (Auto Store) / PS (Preset Scan) | 10 |
| File / Folder search..... | 10 |
| Track number search | 10 |
| Track name search | 10 |
| Folder search | 10 |
| Display | 10 |
| Preset button 1 / PAUSE | 10 |
| Preset button 2 / RPT | 10 |
| Preset button 3 / INT | 11 |
| Preset button 4 / RDM | 11 |
| Preset button 5 / -10 | 11 |
| Preset button 6 / +10 | 11 |
| TA / TP..... | 11 |
| AF | 11 |
| REG..... | 11 |
| PTY | 11 |
| Mode | 11 |
| ◀◀ / ▶▶ | 11 |
| Automatic station search..... | 11 |
| Manual station / frequency search | 11 |
| Next track..... | 12 |
| Previous track..... | 12 |
| Fast Forward..... | 12 |
| Fast Reverse..... | 12 |
| BAND / ENTER..... | 12 |
| Reset to factory defaults..... | 12 |
| Disk loading and ejecting | 12 |
| USB socket and iPOD® support | 13 |
| SD card slot..... | 13 |
| RDS | 13 |
| TECHNICAL SPECIFICATIONS..... | 15 |

Thank you for purchasing this product. We wish you many pleasant hours of listening to your favorite music. Personal Safety has been taken in consideration in the design and manufacturing this product, however any improper use or operation may result in an electrical shock, fire and/or any other hazards. To prevent these hazards it is strongly recommended to read this manual thoroughly and adhere to the following precautions.

IMPORTANT SAFETY INSTRUCTIONS

SAFETY INSTRUCTIONS

- To prevent a risk of electric shock, do not open the housing of the unit. There are not parts inside the unit repairable or adjustable by a user. Should the device require adjustment or repair, contact a professional service centre.
- Do not expose the unit to dropping or splashing water or any other liquid. In no cases spill any liquid onto or in the unit. Do not operate the product when your hands are wet. Do not use an unit in a humid environment, near places of water like pools or ponds.
- Never operate the product if it is moved from a cold environment to a warm one and vice versa. Moisture may form inside of the unit and as a result it may not operate properly. In this case, turn on the power, take out the disc and wait at least 60-90 minutes for the moisture to evaporate.
- To clean the unit or its accessories, do not use abrasive detergent, bensine or diluent. Clean the unit with a soft and dry cloth and only when the unit is disconnected from the power source.
- For safe driving, set volume level in order to concentrate on traffic and road condition. For safety reason do not operate the device while driving.
- Never put foreign objects into the CD disc opening, or in any other opening of the unit, to prevent damage and electric shocks.



CAUTION:

THE UNIT EMPLOYS A LASER SYSTEM. TO ENSURE THE PROPER USE OF THE UNIT, READ THIS MANUAL CAREFULLY AND KEEP IT FOR FUTURE REFERENCE. IF THE UNIT REQUIRES SERVICING, CONTACT THE SELLER. TO PREVENT DIRECT EXPOSURE TO THE LASER RADIATION, DO NOT OPEN THE CABINET. VISIBLE LASER MAY RADIATE WHEN THE CABINET IS OPENED OR THE INTERLOCKS ARE DEFEATED. DO NOT STARE INTO THE LASER BEAMS.

CAUTION:

THE DEVICE IS A CLASS 1 LASER PRODUCT. USE OF CONTROLS OR ADJUSTMENTS OR PERFORMANCE OF PROCEDURES OTHER THAN THOSE SPECIFIED HEREIN MAY RESULT IN HAZARDOUS RADIATION EXPOSURE. AS THE LASER BEAM USED IN THIS DEVICE IS HARMFUL TO THE EYES, DO NOT ATTEMPT TO DISASSEMBLE THE CABINET. REFER SERVICING TO QUALIFIED PERSONNEL ONLY.

OPERATION PRECAUTIONS

- Only connect to a 12V DC battery and negative grounding.
- Do not expose the unit to high temperatures nor direct sunshine or high humidity (přes 90%), do not place on dusty surfaces. In case of high temperatures, cool down the car interior by means of ventilation or air-conditioning.
- Operate in well ventilated areas.
- Do not turn on or off the product in short intervals. When turning the unit off, wait for at least 10 seconds prior to turning the unit on again.

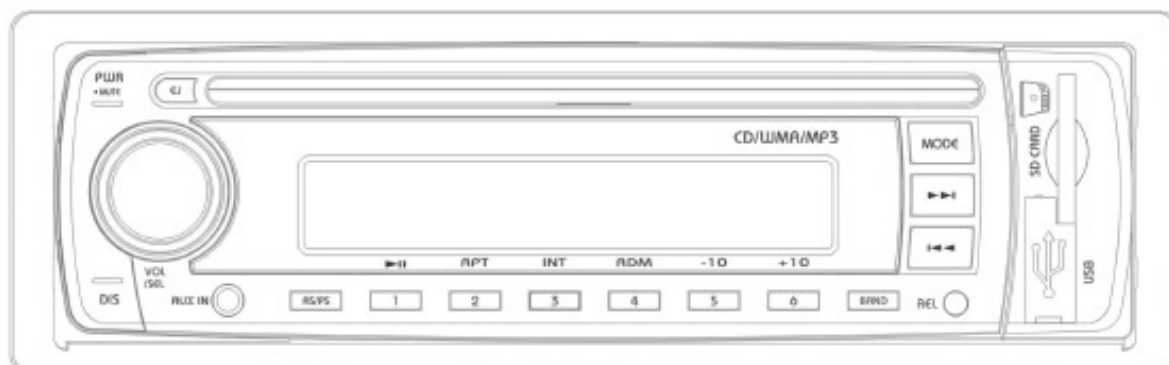
NOTE

- Please dispose empty batteries according the regulations in your country.
- All pictures will be based on the English version.
- Design and Specifications may vary in the manual from the actual product in use.

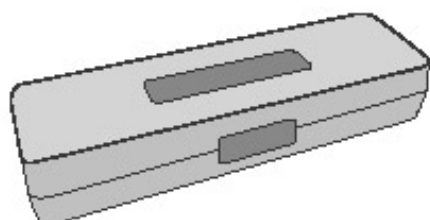
BEFORE USING THE CAR RADIO

Unpacking and checking the accessories

Please check if the following items and accessories are included in the received package:



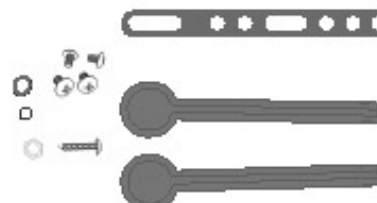
Car Radio



1x Protective Carrying Case
for detachable front panel.



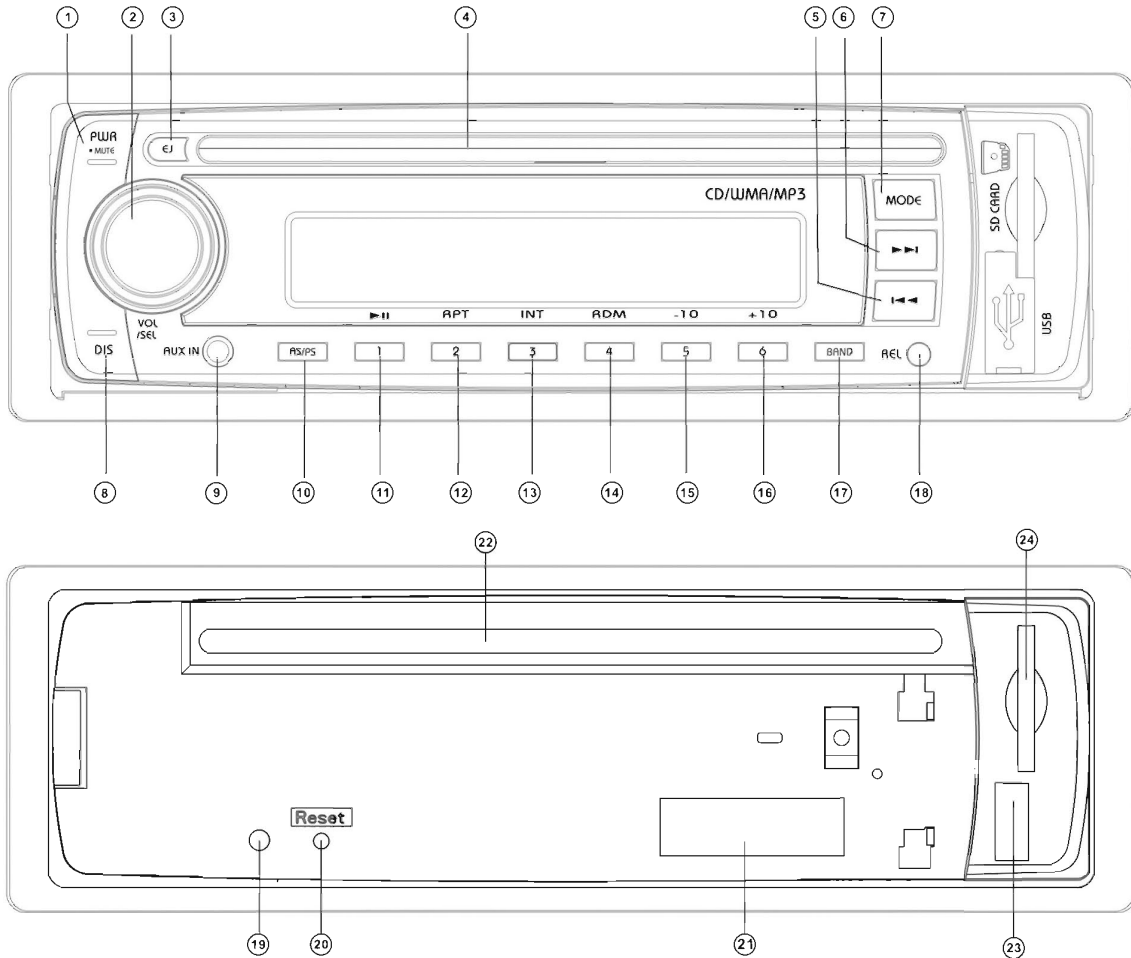
- 1x Mounting Bracket
- 1x Assemble Bar
- 1x Screw B15x20
- 4x Bolt M5
- 1x Nut M5
- 1x Flat washer
- 1x Spring washer
- 2x Unit ejection bars



User Manual

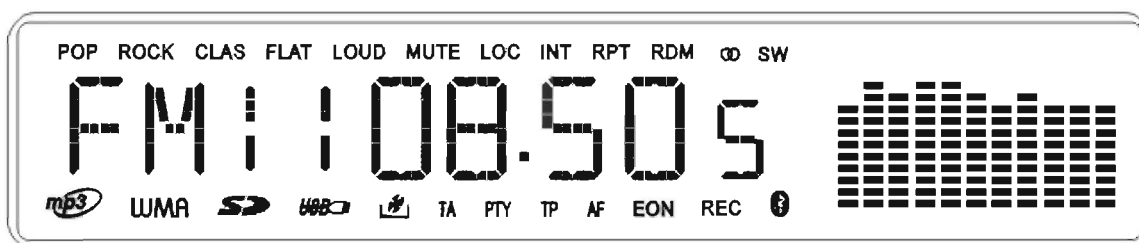
DEVICE DESCRIPTION

Car radio



1. POWER BUTTON / MUTE
2. VOLUME KNOB / PUSH SELECT
3. DISC EJECT
4. DISC SLOT
5. TUNE UP / TRACK-NEXT
6. TUNE DOWN / TRACK- PREVIOUS
7. MODE (RADIO, CD, AUX)
8. DISPLAY MODE INFO / PTY
9. AUX INPUT 3.5mm
10. AS / PS
11. PRESET 1 / PAUSE
12. PRESET 2 / REPEAT
13. PRESET 3 / INTRO
14. PRESET 4 / RANDOM
15. PRESET 5 / -10 TRACK
16. PRESET 6 / +10 TRACK
17. BAND (FM 1/ FM2 / FM3 / AM1 / AM2)
/ TA-TP
18. RELEASE
19. ANTI-THEFT LED
20. RESET
21. CONTACTS
22. CD SLOT
23. USB connection
24. SD / SDHC slot

DISPLAY



The icons are explained throughout this document. For example: WMA will light up when WMA audio is played back and MP3 will light up when MP3 audio is played back.

The Stereo icon (⊕) will light up when a radio station is emitting in Stereo. Not all icons are in use or will be displayed.

Removing and Attaching the front panel

Removing

Press the release button on the front to unlock the front panel. Gently take away the front panel by pulling it towards you from the right to the left.

Attaching

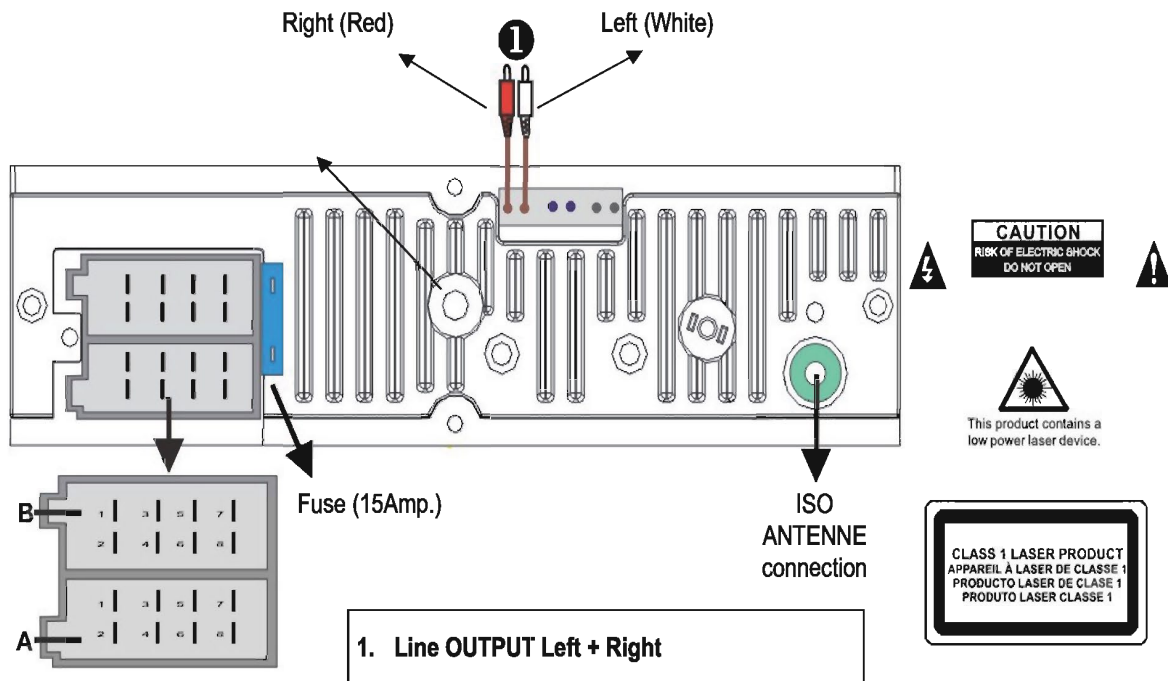
Gently place the left side of the front onto the locking pin, then gently click the right side onto the locking pin.

CAUTION: DO NOT insert the front panel into the right side. It can damage the front panel. Never use force or a tight grip onto the buttons or the information display when removing or attaching the front Panel. The front panel can easily be damaged by shocks. To avoid damage or potential theft remove the front panel, place it into the protective case and be careful not to drop it or subject it to strong shocks. The rear connector that connects between the main unit and the control panel is an extremely important part. Be careful not to damage it by pressing on it with fingernails, pens, screwdrivers, etc.

WIRING DIAGRAM

The Car Radio comes complete with built-in ISO connector and installation brackets and is easily fitted into your car. Hereunder you will find the diagram of the ISO connection, which is used in the majority of the cars. If your vehicle is not fitted with an ISO connection, you can optionally purchase a female-ISO contra connector with separate wires and connect the wires according to the description of the ISO connector.

Note: Never connect cables to the system while it is connected to the battery power. Whenever the unit is disconnected from the battery, the preset memory will be erased and the unit will go back to its factory defaults.



INTERNAL ISO CONNECTOR

ISO-A

- A4** **YELLOW B+** Always 12Vdc, direct to battery.
- A5** **BLUE** To system control terminal of an external amplifier or Automatic Antenna (max. 100mA / 12V DC).
- A7** **RED ACC.** Connect to the 12Vdc controlled by the ignition key / switch.
- A8** **GND. (Ground).** Connect to clean, exposed and unpainted metal parts of the car chassis to make a good ground connection.

Note on ISO-A Connector: The pin layout displayed here is the most commonly used, but some car manufacturers (like VW, Audi, Opel, Vauxhall) swap connection point A7 and A4, which results in Memory lost of the preset channels and settings when the ignition key is switched OFF. Please refer to your car manual for correct connection of the ISO connector in your car.

ISO-B

FRONT SPEAKER

- B3** Right + (Grey)
- B4** Right - (Grey/Black)
- B5** Left + (White)
- B6** Left - (White/Black)

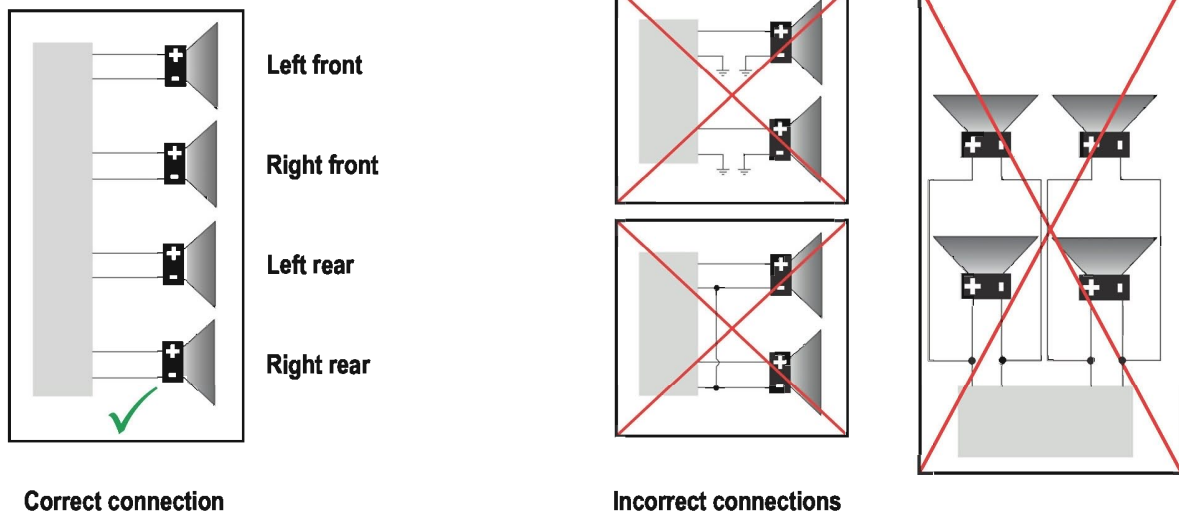
REAR SPEAKER

- B1** Right + (Violet)
- B2** Right - (Violet/Black)
- B7** Left + (Green)
- B8** Left - (Green/Black)

Note:

- Only use groundless loudspeakers.
- Use only loudspeakers of minimal 30Watt, using fewer watts may result in damaging your loudspeakers at higher volumes.
- Use 4~8 Ω (Ohm impedance) loudspeakers only, using higher or lesser impedance may damage the unit.
- Do not use 3-cable loudspeakers and do not connect the loudspeakers minus (-) to the car body (GND). The Car Radio is using a BTL circuit and each loudspeaker must be connected with insulated cables according the diagram.
- Loudspeaker cables and/or optional external power amplifiers must always be about 30cm away from the antenna and/or antenna extension parts.

Connect the speakers according the following diagram, incorrect connections will damage the unit or your loudspeakers and void warranty.



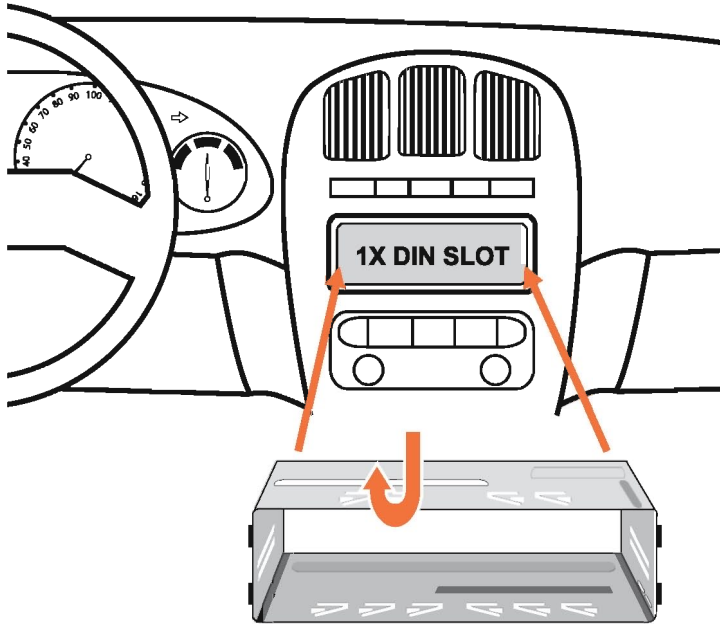
3.5mm AUX INPUT FRONT

The 3.5mm AUX input can be used to connect external audio devices via their headphone output or their AUX output to the unit. Devices such as MP3 players, mobile telephones with MP3 player function, cassette tape player, minidisk player, etc. can be connected to the unit. For the FRONT connection, a 3.5mm Mini Jack to 3.5mm Mini jack cable is needed to connect these devices to this AUX input port.

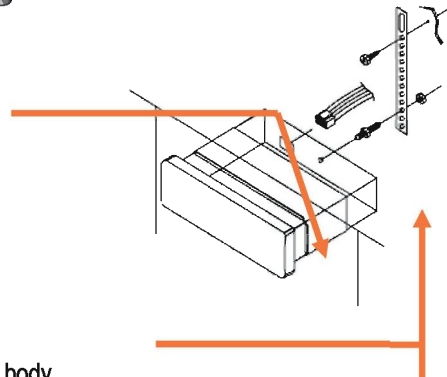
INSTALLATION IN DASHBOARD

If your car is fitted with a one (1x) DIN size opening for a car audio system, you can install the car radio according these steps.

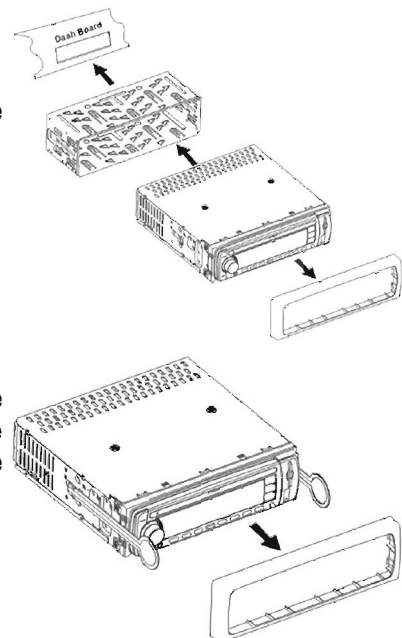
Note: Unit should be installed horizontally in an angle less than 30°.



1. Insert the mounting bracket into the 1X DIN opening of your dashboard.
2. Bend the mounting tabs outwards with a screwdriver, to tighten and fix the mounting bracket in its place.
3. Connect the M5 Bolt to the rear of the unit.
4. Check electrical connections as described earlier (either an ISO connection or separate wiring).
5. Insert the ISO connector into the unit.
Push the unit into the mounting bracket until you hear a click.
Move the assemble bar (metal strip with holes) over the M5 bolt and use the M5 nut to tighten the assemble bar.
6. Use the screw Bt5x20 to fix the other side of the assemble bar to the car body.
7. Place the front rim over the unit to finish the installation.



Note: Step 5 and 6 are only possible when you can reach the back of the unit inside the dashboard.



To remove the unit, CAREFULLY remove the front rim (do not use force, else the connection pins of the rim will break off) and place the two extraction keys into the left and right side of the unit until they click in place and pull the unit gently out of the dashboard.

BASIC OPERATIONS

Power / MUTE button

Press the power button to switch the unit ON. Long press again to switch it OFF. Press the button briefly to Mute. Please note that the volume will be muted on all audio output connectors. The MUTE icon will be seen on the information display. To resume playing, press the button briefly again.

Volume knob / SETTINGS

Increase or decrease the volume by turning the Volume knob clockwise or counterclockwise. When is switched off and on again, the unit will default set the volume at 20.

Push the Volume knob to select one of the Audio functions in the following sequence:

VOLUME → BASS → TREBLE → BALANCE → FADER → CURRENT MODE

When **BASS** or **TREBLE** is selected, rotate the **volume** knob clockwise to boost Bass or Treble, rotate the **volume** knob counterclockwise to decrease Bass or Treble.

When **BALANCE** is selected, rotate the **volume** knob clockwise to boost the volume to the right (R), rotate the volume knob counterclockwise to boost the volume to the left (L).

When **FADER** is selected, rotate the **volume** knob clockwise to boost the volume to the rear (R), rotate the volume knob counterclockwise to boost the volume to the front (F).

In Radio mode Press the Volume knob for over 2 seconds to enter the setup menu. Press each time for a following selection: **(AF → INVOL → ADJ → 12/24HOUR → TAVOL → EON → PTY → REG → LOC → MONO → LOUD → BEEP → DSP → EXIT)**.

When **AF** is selected, rotate the **volume** knob to select **AF OFF** or **ON**.

When **INVOL** is selected, rotate the **volume** knob clockwise to boost the default startup volume, rotate the **volume** knob counterclockwise to decrease the default startup volume.

When **ADJ** is selected, rotate the volume knob clockwise to set the time.

When **12/24HOUR** is selected, rotate the **volume** knob to change to 12 or 24 Hour format.

When **TAVOL** is selected, rotate the **volume** knob clockwise to boost the TA volume, rotate the **volume** knob counterclockwise to decrease the TA volume.

When **EON** is selected (**ON** is default), rotate the **volume** knob to select **ON** or **OFF**.

When **PTY** is selected, rotate the **volume** knob to select **PTY ON** or **OFF**.

When **REG** is selected, rotate the **volume** knob to select **REG ON** or **OFF**.

When **LOC** is selected, rotate the **volume** knob to select **ON** or **OFF**. **ON** to select the short distance or local radio station mode (**LOC**) or select **OFF** for long distance radio stations.

When **MONO** is selected, rotate the volume knob to select **OFF** (Stereo) or **ON** (Mono).

When **LOUD** (Loudness) is selected, rotate the volume knob to select **ON**, or **OFF** (default).

When **BEEP** is selected, rotate the volume knob to select **ON** or **OFF**.

When **DIGITAL SOUND PROCESSOR (DSP)** is selected, rotate the **volume** knob to select a predefined equalizer sound effect according your liking in the following sequence:

NONE → POP → ROCK → CLASSIC → FLAT → NONE

Note: After 5 seconds of non operation the display will return to the default of the selected mode. If the clock display is enabled the unit will show the clock in standby mode.

AS (Auto Store) / PS (Preset Scan)

Press the AS/PS shortly in the TUNER mode to scan the preset stations in the memory of the current selected frequency band. Each preset station will be heard for 5 seconds. Press any button to stop the Preset Scan.

In Tuner mode, select an available BAND, then press the AS/PS button for longer than 2 seconds to enable the Auto Search and Store function. The unit will search for stations of the selected frequency band and will store up to 6 stations into the preset memory. The search will stop automatically when the whole frequency spectrum has been search, when the preset stations are stored or when the AS/PS button is pressed again.

File Search

In MP3/USB/SD/CD mode: Press the AS/PS button to enter into the search mode (press the button in sequence to toggle between the following search modes): **FILE NUMBER** → **FILE NAME** (**Note:** Audio CD discs only support Track Number search mode)

Track number search

Three digits of zeros will be displayed 000- - - -

Enter the track digits by turning the Volume button clock or counter clockwise. Press the Volume button to enter the selected digit. Repeat this sequence until the wished track number is displayed. Now press BAND button to start playing the desired track. If the track cannot be found, the last played track will be played and the search function will be canceled.

Track name search

In MP3/USB/SD/CD mode: Press the AS/PS button repeatedly to enter into the search track name mode. The character A * * - - - - will be displayed.

Enter the track characters by turning the Volume button clock or counter clockwise and toggle between "A" through "Z" and "0" through "9". Confirm the blinking character by pressing on the VOL / SEL knob. Repeat this sequence until the wished characters are displayed. Now press BAND or VOL / SEL to start playing the desired track. When multiple files are found, toggle between the files by turning the volume knob clock or counter clockwise, then press the VOL / SEL button to confirm the selected song. If the track cannot be found, an error message will be displayed and thereafter A * * - - - - and the file name search sequence can be repeated.

Folder search

In MP3/USB/SD/CD mode: Press the AS/PS button repeatedly until ROOT will be shown on the LCD, to enter the Folder Search mode. ROOT will be displayed and if there are sub folders rotate the Volume knob to move to the subfolders and press the BAND button to enter the subfolder. The unit will now starts playing the songs from this subfolder.

Note: Function not available for Commercial Audio CD's. After 5 seconds of non operation the display will return to the default of the selected mode. If the clock display is enabled the unit will show the clock for several seconds and then returns to the normal display info.

Display

Press the DIS button to toggle through the available Display Information. In the TUNER mode Program Station name (PS) is the default, if not available the frequency will be displayed. Toggle sequence: Clock (clock time) → PTY → PS (standard) → Frequency → EXIT

In TUNER Mode, long press the DIS button to activate the PTY menu (see PTY chapter).

Preset button 1 / PAUSE

Press the Preset 1 button in the TUNER mode to select the first preset radio station. Press and hold the button for 2 seconds or longer to store the current frequency / radio station into the preset memory. For each frequency band a station can be stored. In MP3/CD mode press the preset 1 button to pause a song press it again to resume playing.

Preset button 2 / RPT

Press the Preset 2 button in the TUNER mode to select the second preset radio station. Press and hold the button for 2 seconds or longer to store the current frequency / radio station into the preset memory. For each frequency band a station can be stored. In MP3/CD mode press the preset 2 button to repeat a song. The RPT icon is shown on the information display. To cancel the repeat mode press the button again. The RPT icon will go off and the current song continues to play.

Preset button 3 / INT

Press the Preset 3 button in the TUNER mode to select the third preset radio station. Press and hold the button for 2 seconds or longer to store the current frequency / radio station into the preset memory. For each frequency band a station can be stored. In MP3/CD mode press the preset 3 button to scan the media for each song, the song will be played for 10 seconds. The INT icon is shown on the information display. To cancel the scan mode press the button again. The INT icon will go off and the current song continues to play.

Preset button 4 / RDM

Press the Preset 4 button in the TUNER mode to select the fourth preset radio station. Press and hold the button for 2 seconds or longer to store the current frequency / radio station into the preset memory. For each frequency band a station can be stored. In MP3/CD mode press the preset 4 button to shuffle play (random order) each song. The RDM icon is shown on the information display. To cancel the scan mode press the button again. The RDM icon will go off and the current song continues to play.

Preset button 5 / -10

Press the Preset 5 button in the TUNER mode to select the fifth preset radio station. Press and hold the button for 2 seconds or longer to store the current frequency / radio station into the preset memory. For each frequency band a station can be stored. In MP3/CD mode press the preset 5 button to go backwards 10 songs from the current track (-10).

Preset button 6 / +10

Press the Preset 6 button in the TUNER mode to select the sixth preset radio station. Press and hold the button for 2 seconds or longer to store the current frequency / radio station into the preset memory. For each frequency band a station can be stored. In MP3/CD mode press the preset 6 button to go forwards 10 songs from the current track (+10).

TA / TP

Long press the BAND button in the TUNER mode to enable or disable Travel Announcement / Travel Program. The default status is off. When there is a TA or TP signal available from the radio station that is tuned-in, the TP icon will be shown on the information display. When TA/TP is enabled (on), but no travel announcement is transmitted, the TA icon is off. When a travel announcement is transmitted the TA icon is on. In case TA/TP is enabled (on) but no RDS signal is present, the TP icon will blink in the information display. (see more under RDS operation).

AF

Press the Alternative Frequency AF / Regional (AF/REG) button in the TUNER mode to enable or disable AF. Default status is ON. When AF is enabled (on) and available with the current radio station, the AF icon will be on, if it is not available the AF icon will blink. When the unit is constantly searching for alternative frequencies, it may be caused due to bad reception area and it is advised to set AF to OFF.

PTY

Long press the DIS button in the TUNER mode to enable or disable Program Type. Default status is off. When PTY is enabled (on) and the selected program type matches, the PTY information is displayed. If the PTY information is different or not available the PTY icon blinks. Press any button to stop the PTY search. (see more under RDS operation).

Mode

Press the Mode button to toggle between the available audio sources in the following sequence: **TUNER** → **CD** → **SD** → **USB** → **AUX** → **TUNER**.

◀◀ / ▶▶

Automatic Station search

In TUNER mode press and hold button ▶▶ (frequency increase) or ◀◀ (frequency decrease) button to search a station automatically. The frequency search will stop when a station is found or when the buttons are pressed again.

Manual Station / frequency search

In TUNER mode press and hold for longer than 2 seconds the button ▶▶ (frequency increase) or the button ◀◀ (frequency decrease) to search a station in small frequency steps manually. With each press the frequency is increased or decreased.

Next track

While a song is playing from the disc press the (**NEXT ►►**) button to skip to the next track. No sound will be reproduced during this operation.

Previous track

While a song is playing from the disc press the (**PREVIOUS ◄◄**) button to skip to the previous track. No sound will be reproduced during this operation.

Fast Forward

While a song is playing from the disc press and hold the ►►► button for longer than 2 seconds to Fast Forward (FFWD) within the current track. No sound will be reproduced during this operation.

Fast Reverse

While a song is playing from the disc press and hold the ◄◄◄ button for longer than 2 seconds to Fast Reverse (FREVE) within the current track. No sound will be reproduced during this operation.

BAND / ENTER

Press the Band button to select your frequency band of choice in the following sequence:

FM 1 → FM 2 → FM 3 → AM 1 → AM 2. When a new frequency band is selected, the last chosen frequency / station of that frequency band will be heard.

Reset to factory defaults

Press the OPEN button on the unit and then remove the front panel. Then with a tip of a bend paperclip, press the small **RESET** button to set the unit back to the factory default settings.

Disc Loading and ejecting

- Press the **OPEN** button on the unit to open and the front panel for loading or unloading a disc.
- Load **one** disc with the label side facing upwards.
- Press the **EJECT** button in case there is already a disc inside the unit.
- Gently load a disc inside the unit and do not apply any force to the disc, it will automatically be loaded.

Note:

- Finger prints and dust on the disc surface can affect the sound quality. Clean the discs regularly with a soft cotton cloth from the disc center to the outside of the disc but do not clean in circular motions.
- Do not use any kind of solvent, such as diluting agent, gasoline, liquid detergent, gasoline liquid detergent antistatic aerosol used for vinyl, this may cause serious disc damage.
- Keep discs away from direct sunlight or any heat source.
- Do not stick any paper or stickers on a disc.
- Only use 12cm and round discs, do not insert any other type or size of discs.
- If a 12cm CD is ejected but not removed within 15 seconds, it will be reloaded automatically, but will not resume playing. 8cm CD's will not be reloaded automatically, please remove them before closing the faceplate.

Once the disc is loaded, the unit will automatically start reading the disk and it will take a few seconds to download the disc initial data, thereafter the unit will start playing the disc.

Note: When the unit is on standby and a disc is loaded/unloaded, the unit will turn ON automatically.



USB Socket and iPOD® support

Insert an USB memory stick, MP3 USB player, an Apple iPOD® (Shuffle, Mini, Nano, Video, etc.) or connect an external 2.5 or 1.8 Inch USB Hard Disk Drive into this socket to listen to the stored MP3, or WMA songs. If a USB Hard Disk is connected, then the unit only recognizes FAT16 or FAT32 formatted hard disks. NTFS or Linux formatted hard disks are NOT supported. The USB icon will be seen on the information display when one of these devices is connected. *Please note: there is a wide variety of memory sticks in the market, with or without MP3-players integrated. Some of these memory sticks are not compatible with this unit and will not play.* When Apple iPOD® equipment is connected to the USB Socket, then the rechargeable batteries will automatically be charged only when the iPOD® is min. 50% charged

Note - Warning: Some external HDD drives or MP4 players and iPOD® which is not yet at least 50% charged, do consume too much power and may result in a shut down or malfunction of the unit and even can damage the unit not covered in the warranty. In this case the external HDD or MP4 player needs to be connected to an external power source.

Note on iPOD® support

There are two storage area's on an iPOD®, the so called Mass Storage Area and the iTUNES® area. When the iPOD® is connected with its original USB cable, only the Mass Storage Area can be recognized and MP3, or WMA files stored here will be played. The iTUNES® area and AAC file format are not supported.

WARNING: Do connect the iPOD® only with its original USB cable and not with the USB cable and the iPOD® headphone connection or only the iPOD® headphone connection to the 3.5mm AUX input of this unit. This may damage the iPOD® and warranty is void.

SD Card Slot

Insert a Secure Digital Memory card or SDHC card into this slot to listen to the stored MP3-WMA songs. The SD-CARD icon will be seen on the information display.

Note: *it sometimes takes several seconds before the card is indexed. When the MODE button is pressed and the SD card is selected, but the unit turns back to the Radio automatically, then this means the card is not indexed yet. Wait a few seconds before pressing the MODE button again to select the SD card, DO NOT eject the SD card, as it may damage the file content.*

RDS

Radio Data System (RDS) enables you to make the best use of your RDS equipped unit. RDS allow radio stations to transmit data that will make use easier. The radio stations can send short messages on RDS and provide additional information about the programs being transmitted, weather, general information, traffic jams, the title of a record or a 'phone-in number, etc. RDS information is transmitted with many radio stations that broadcast on the FM band.

PS (Program Service Name)

The unit is supplied with a character display that will show the name of the selected radio station. When you program your favorite radio stations into the preset station numbers, it is not just the frequency that is stored, but also the station's identification. If you have set RADIO-ONE to be on button number one, then pressing this button will always give you RADIO-ONE wherever you are in the country.

AF (Alternative Frequency) Automatic Tuning

The unit receives information about the frequencies of nearby transmitters. This enables it to choose the strongest FM signal for the selected station. This is particularly useful and safe for you as a driver, you no longer have to re-tune when driving between different transmitter coverage areas.

Regional Links (REG On/Off)

Many local radio stations only have a couple of different frequencies, and their coverage area is limited. Some local stations are linked together according to their region, so that if the signal from a local radio station becomes weak, the unit can switch to another local station in the same region. If you wish the radio to stay tuned to the same local station regardless of the signal strength or quality, then you should turn the Regional facility ON, as described in the previous pages.

TA and TP (Travel Announcements / Travel Program Identification)

When a local radio station broadcasts a traffic report, the unit is informed. This information can be used to provide you with travel information without having to listen to that particular radio station all of the time. When the travel announcement is broadcast the unit will interrupt the AUX or CD that is playing and will automatically switch to the announcement. At the end of the announcement the unit returns to its former state by switching back to the SD, USB AUX, or CD.

For this to work, the travel announcement function must be switched on. The unit will only allow you to tune to a station which is capable of sending the relevant RDS travel announcement information.

If the signal of the selected radio station becomes weak, the unit should re-tune itself to another station that has the RDS travel information. The TP symbol will ignite on the information display, when a TP station is found or selected.

EON (Enhanced Other Networks)

The unit is equipped with the Enhanced Other Network (EON) function, and can switch from a national Network station (eg RADIO ONE) to a Local Radio travel announcement, and then back to the national station at the end of the announcement. For example, the unit is tuned to RADIO FOUR, and the TA Travel function is switched on. You may be listening to RADIO FOUR or to a track, or you could have the volume turned down. When a nearby local radio station, such as RADIO LOCAL, is about to make a travel announcement, an RDS signal transmitted on RADIO FOUR tells the unit to tune to RADIO LOCAL for the announcement. The unit will already know the frequency of RADIO LOCAL in that area. The unit will first check that it can receive RADIO LOCAL satisfactorily and, if so, will switch from RADIO FOUR, turn up the volume, or interrupt the playback for the duration of the announcement. At the end of the announcement the unit returns to its previous state ready for the next announcement. With EON, the unit is told about the frequencies of other radio stations in the area, both local and national. If you change stations, the unit will know immediately which frequencies to try first.

PTY (Program Type)

Many radio stations give codes to individual programs according to their type. The unit allow you to select the type of program required, and will search for a station broadcasting that type of program. The following program types are available: Speech, News, Current Affairs, Information, Sport, Education, Drama, Culture, Science, Varied Speech (quizzes/comedy), Pop Music, Rock Music, M.O.R.M. Easy Listening, Classical, Other Music types, Weather, Finance, Children, Social, Religion, Phone in, Travel, Leisure, Jazz, Country, National, Oldies, Folk Music and Documentations.

To switch PTY ON, press the OK button for more than two seconds on the unit. The current selected PTY type will be shown on the information display. When no special type is selected PTY NONE will be shown. To switch PTY OFF, press the OK button again. Default PTY is "News".

Turn the volume knob left or right to scroll through the available PTY types, and then press the OK button again, the unit will now automatically start searching for a radio station with the selected PTY code.

Time and Date (CT-Clock Time)

Part of the RDS data is used to transmit the current time and date. The clock on the unit never has to be adjusted, and will automatically set itself for summer and winter time changes. It will also take account of leap years and, if traveling in a foreign country, will adjust between different time zones.

TECHNICAL SPECIFICATIONS

Enjoy listening to your music

An outstanding stylish designed Automotive 1x DIN CD player, with FM RDS EON Radio. This easy to install system comes complete with a fold-down faceplate which is detachable for theft prevention. The built-in 4x40 Watt Power Amplifier is offering brilliant HiFi sound characteristics. Operating information and station information obtained from the RDS function is shown on the information display. As much as 18 FM radio stations can be programmed as preset channels. Operation is easy with the user-friendly access buttons.

Features:

- Detachable control panel with protective carrying case
- Supports: CD, CD-R, and CD-RW disks (MP3 / WMA/ – normal Audio CD's)
- Clear Black Mask White/Black information Display
- Built-in 4x 40 Watt (max) power amplifier, Load Impedance: 4 - 8 Ohm
- FM Radio with RDS EON function
- 18 FM preset channels (87.5 - 108Mhz),
- Antenna Impedance: 50 Ohm
- 1x RCA two channel audio output (preamp left and right)
- 1x 3.5mm Input (stereo, in front face)
- 1x USB connection
- 1x SD / SDHC slot
- 1x DIN size
- Operational power: 10.5 - 16Vdc

Including:

- Protective control panel carrying case
- Installation bracket and fixings
- Built-in ISO connector
- User Manual

Specifications:

| | |
|-----------------------------------|--|
| Power supply | 12 V \pm (10.5 – 16V \pm allowable) |
| Maximal Current | <10 Ampere |
| Dimension | 1x DIN (178mm [W] × 175mm [D] × 50mm [H]) |
| Laser | Semi-conductor laser, wave length 650nm, 780nm |
| CD Frequency range | 48KHz pulse modulation 20Hz–20KHz |
| CD S/N Ratio | 60dB |
| CD Harmonic Distortion THD | <0,5% |
| Audio S/N Ratio and Dynamic Range | ≥80dB |
| Harmonic Distortion THD | 0,1% |
| Amplifier Output | 4 x 40 Watt (Max) |
| Load Impedance | 4 - 8 Ω |
| FM Frequency range | 87.5 – 108 MHz |
| Antenna Impedance | 50 Ω |
| AUX IN Frequency Response | 20 – 20.000Hz |
| AUX IN Input Impedance | 10K Ω |
| AUX IN S/N Ratio | 70dB |
| AUX IN Input Level | 200mV (2V maximal) |
| Audio RCA output | 2,0V (1KHz .0dB) \pm 0,2V |
| Operation Temperature | Temp: -20°C – +60°C |
| Storage Temperature | Temp: -30°C – +80°C |

ADDITIONAL IMPORTANT NOTES

- Do not use the unit for a long time without running the vehicle's engine, it will drain the battery preventing a correct start of the engine and it will reduce the lifecycle of the battery.
- If possible ask qualified professionals to install the unit.
- Before final installation of the unit into the 1x DIN size opening of your dashboard, connect the wiring and make sure everything is connected and is working properly.
- Use only the parts included with the unit to ensure proper installation. The use of unauthorized parts may and can cause malfunctions.
- Consult your nearest car dealer if the installation requires to drill holes or other modifications need to be made to your car.
- Install the unit where it does not get in the driver's way and cannot injure the passenger in case there is a sudden emergency stop.
- With some USB memory sticks, you may not be able to use certain functions.
- This unit is for vehicles with a 12-volt battery and negative grounding. Before installing it in a recreational vehicle, truck, or bus, check the battery voltage.
- To avoid shorts in the electrical system, be sure to disconnect the battery cable before beginning any installation.
- Refer to this manual for details on connecting the power amp and other units.
- Secure the wiring with cable clamps or adhesive tape. To protect the wiring, wrap adhesive tape around them where they lie against metal parts.
- Route and secure all wiring so it cannot touch any moving parts, such as the gear shift, handbrake and seat rails.
- Do not route wiring in places that get hot ,such as near the heater outlet, if the insulation of the wiring melts or gets torn, there is a danger of the wiring short-circuiting to the vehicle body .
- Do not shorten any leads. if you do ,the protection circuit may fail to work when it should.
- Never feed power to other equipment by cutting the insulation of the power supply lead of the unit and tapping into the lead. The current capacity of the lead will be exceeded, causing overheating
- When replacing fuse, be sure to use only fuse of the same rating prescribed on this unit.
- Speakers connected to this unit must be high-power types with minimum rating of 30W and impedance of 4-8 ohms. Connecting speakers with output and/or impedance values other than those noted here, may result in the speakers catching fire, emitting smoke, or becoming damaged.
- When this product's source is switched ON, a control signal is output through the blue lead. Connect to an external power amp's system remote control or the car's Auto-antenna relay control terminal (max.100 mA 12 V DC). If the car features a glass antenna, connect to the antenna booster power supply terminal.
- When an external power amplifier is being used with this system, be sure not to connect the blue lead to the amplifiers power terminal. Likewise, do not connect the blue lead to the power terminal of the auto-antenna. Such connection could cause excessive current drain and malfunction.
- To avoid short-circuiting, cover the disconnected lead with insulating tape. Especially insulate the unused speaker leads without failure. There is a possibility of short -circuiting if the leads are not insulated.
- Dirt or condensation on the lens inside this unit may prevent playback.
- Playback of discs recorded with a PC using the correct format is possible but depending on the application software, environmental settings and other factors playback may not be possible (For details , inquire at the store or dealer where you purchased the application software.)
- CD-Extra discs can be played back as music CDs.
- Normal playback of CD-R/CD-RW discs other than those recorded with a music CD recorder may not be possible.
- Playback of music CD-R/CD-RW discs even those recorded with a music CD recorder, may not be possible with this unit due to disc characteristics or dirt on the disc. Dirt or condensation on the lens inside this unit may also prevent playback.
- Titles and other text information recorded on CD-R/CD-RW discs (ID3TAG) can be displayed by this unit.
- If you insert a CD-RW disc into this unit time to playback will be longer than when you insert a conventional CD or CD-R disc. Read the precautions with the CD-R/CD-RW discs before using.
- Driving and having a Telephone conversation at the same time is dangerous, please park your car before having a telephone conversation. The supplier waves any and all liability when this warning is not followed.

DISPOSING OF THE BATTERY / BATTERIES

Please check local regulations for disposal of batteries or call your local city office or your household waste disposal service or the shop where you purchased the product.

The battery / batteries should never be placed in municipal waste. Use a battery disposal facility in your neighborhood or community, if available.

INSTRUCTIONS AND INFORMATION REGARDING THE DISPOSAL OF USED PACKAGING MATERIALS

Dispose of packaging material at a public waste disposal site.

DISPOSAL OF USED ELECTRICAL AND ELECTRONIC APPLIANCES



The meaning of the symbol on the product, its accessory or packaging indicates that this product shall not be treated as household waste. Please, dispose of this product at your applicable collection point for the recycling of electrical & electronic equipment waste. Alternatively in some states of the European Union or other European states you may return your products to your local retailer when buying an equivalent new product. The correct disposal of this product will help save valuable natural resources and help in preventing the potential negative impact on the environment and human health, which could be caused as a result of improper liquidation of waste. Please ask your local authorities or the nearest waste collection centre for further details. The improper disposal of this type of waste may fall subject to national regulations for fines.

FOR BUSINESS ENTITIES IN THE EUROPEAN UNION

If you wish to dispose of an electrical or electronic device, request the necessary information from your seller or supplier.

DISPOSAL IN OTHER COUNTRIES OUTSIDE THE EUROPEAN UNION

If you wish to dispose of this product, request the necessary information about the correct disposal method from local government departments or from your seller.



This product meets all the basic EU regulation requirements that relate to it.

Changes to the text, design and technical specifications may occur without prior notice and we reserve the right to make these changes.