

SENCOR®

SRC-120

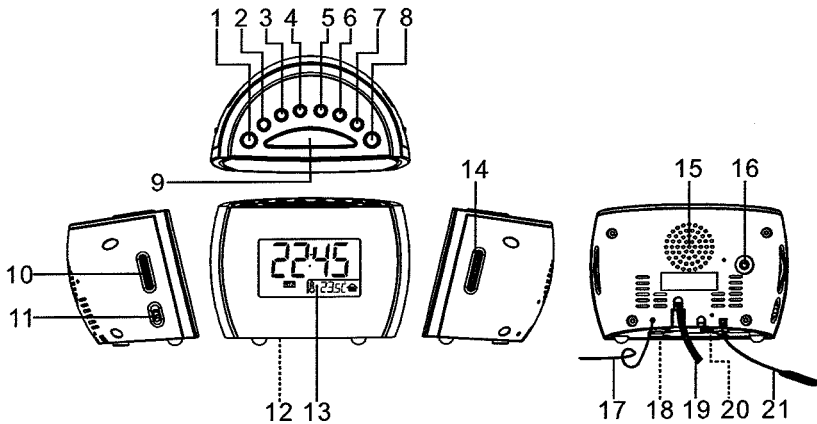


Návod k obsluze
Návod na obsluhu
Használati útmutató
Instrukcja obsługi
Instruction Manual



SENCOR SRC 120

Radioclock with thermometer and calendar Instruction Manual



1. AM/FM BAND BUTTON
2. AL. SET (ALARM) BUTTON
3. ALARM 1 RADIO / BUZZ BUTTON
4. << / DAY / °C/°F BUTTON
5. >> / YEAR / DST BUTTON
6. ALARM 2 RADIO / BUZZ BUTTON
7. MODE BUTTON
8. ON / OFF BUTTON
9. SNOOZE / SLEEP BUTTON
10. VOLUME KNOB
11. DISPLAY LIGHT AUTO OFF / LOW / HIGH DIMMER
12. RESET BUTTON (BOTTOM OF THE UNIT)
13. LCD DISPLAY
14. TUNING KNOB
15. SPEAKER
16. LINE IN JACK
17. FM ANTENNA
18. BATTERY DOOR
19. AC POWER CORD
20. RATING LABEL (BOTTOM OF UNIT)
21. TEMPERATURE SENSOR

POWER CONNECTION

Plug the AC power cord to a household outlet AC source. This unit is equipped with a battery back up system, it requires a 3V CR2032 flat lithium battery (not included). Insert the battery in the battery compartment, making certain that the positive and negative (+ and -) battery terminals are attached to the corresponding terminals on the plate in the battery compartment. If an AC power failure occurs; the clock automatically switches to the battery power supply, the clock and timer memory continue running (display do not light). When the AC power resumes, the clock switches back to AC again (display lights).

1. TIME AND CALENDAR SETTING

A. Setting Time and Calendar – Press Mode set button (7) in normal mode and keep depress over 2 seconds to enter time set mode, after enter the setting mode, press mode set button (7) to change the mode cycle as follows. :

Normal → Year → Month → Day → 12/24H → RTC Hour → RTC Min → Normal

Action (during data adjustment) :

- Press << / DAY / °C/°F button (4) to adjust data backward.
- Press >> / YEAR / DST button (5) to adjust data forward.
- Keep depress << or >> button for 2 seconds to enable auto forward.

B. Setting Alarm 1 and Alarm 2 – press Alarm set button (2) during normal mode and keep depress over 2 seconds to enter alarm set mode, after enter the setting mode, press Alarm set button (2) to change the mode cycle as follows :

Normal → AL 1 Hour → AL 1 Min → AL 1 weekend Alarm → AL 2 Hour → AL 2 Min → AL 2 weekend alarm → Normal

Select alarm weekday mode as follows



- 1-5 : Monday to Friday
- 1-7 : Whole week
- 6-7 : Saturday & Sunday
- 1-1 One day of week

Action (during data adjustment) :

- Press << / DAY / °C/°F button (4) to adjust data backward.
- Press >> / YEAR / DST button (5) to adjust data forward.
- Keep depress << or >> button for 2 seconds to enable auto forward.

2. SETTING ALARM OUTPUT AND ALARM OF/OFF

A. Change the alarm output

Press AL 1 (3) / AL 2 (6) button to Buzzer  position to select wake up by Buzzer, set to music  position to select wake up by Radio,, set to Alarm off position to disable all alarm.

Select the Display Auto off / low / high dimmer (11) to the Auto off mode, alarm wake up the display is auto turn on.

3. ALARM DURATION AND SNOOZE FUNCTION

Alarm Duration – Buzzer alarm or Radio alarm will continue output for 30 minutes if no key press, then it will stop automatically and wait for same alarm time on next day.

Action for Snooze :

- During alarming, press Snooze button (9) will enable snooze function, Buzzer alarm or Radio alarm will stop.
- Snooze interval is 9 minute (not include second offset)
- Snooze will continue unless press On/Off button (8) to alarm off of Buzzer alarm or Radio Alarm stop automatically after 30 minutes.
- Select the display Auto Off / Low / High dimmer (11) to the auto off mode, during alarming display auto turn on, press snooze / sleep button (9) will enable snooze function, buzzer alarm or radio / display will Stop & Off.

4. CHANGE DISPLAY CONTENT

- A. Press << / DAY / °C/°F button (4) during normal can switch to display Month/Day, after 5 seconds timeout and return back to display time.
- B. Press >> / YEAR / DST button (5) during normal can switch to display Year, after 5 seconds timeout and return back to display time.

5. SLEEP FUNCTION

During radio on mode, press Snooze/Sleep button(9) to turn on Sleep mode, the sleep time will keep flashing by 5 seconds and press Sleep button can change the duration from 90 min – 15 min. Press On/Off button (8) to cancel sleep function.

6. The radio OFF mode, select the display Auto Off / Low / High Dimmer (11) to the Auto Off mode, the LCD display will automatically Off in 15 seconds.
 - Press all key button to turn the display on.

DST – Daylight saving time

Press >> / YEAR / DST button (5) and hold for 3 seconds to toggle on and off DST button.

RADIO OPERATION

- Press the On / Off button (8) to turn radio On.
- Select AM/FM band press the AM/FM band button (1).
- Select the station using the Tuning knob (14).
- Turn the volume knob (1) to adjust volume as required.
- Press the On/Off button (8) to turn radio off.

Note :

- The AM band use and internal directional aerial, rotate the radio for best reception.
- Ensure that the FM antenna (17) is completely unrolled and extended for best FM reception.

Line in

The Line in jack can be used to playback alternate audio signal sources on the unit speakers.

This line in jack requires a 3.5mm audio cable for input signal. When the jack is connected, the radio signal is off. Pay attention to it, when wake up by Radio.

Note : The 3.5mm audio cable is not included

SPECIFICATIONS

Frequency : AM 531 – 1620 kHz
FM 87.5 – 108 MHz

Battery backup : 1 x 3V CR2032 flat lithium battery (not included)

Power source : AC230V ~ 50 Hz, 5W

Remark :

- Temperature range for Indoor : 0 to + 50°C or 32 to 122°F

RESET

- The reset button (12) is located on the bottom of unit. Use a ballpoint pen to press it whenever you change the batteries, or unit is not performing as expected. This will return all settings to default value, and you will lose any stored data (alarm and clock settings).

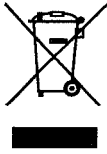
WARNING

1. No naked flame sources, such as lighted candles, should be placed on the apparatus.
2. Do not place the product in closed bookcases or racks without proper ventilation.
3. The mains plug is used as the disconnect device, the disconnect device shall remain readily operable.
4. The ventilation should not be impeded by covering the ventilation openings with items, such as newspapers, table-cloths, curtains, etc.
5. It shall not be exposed to dripping or splashing and that no objects filled with liquids, such as vases, shall be placed on the apparatus.
6. Do not connect FM antenna to outside antenna.
7. The unit should not be exposed to direct sunlight, very high or low temperature, moisture, vibrations or placed in dusty environment.
8. Do not use abrasive, benzene, thinner or other solvents to clean the surface of the unit. To clean, wipe it with mild non-abrasive detergent solution and clean soft cloth.
9. Never attempt to insert wires, pins or other such objects into the vents or opening of the unit.
10. Batteries shall not be exposed to excessive heat such as sunshine, fire or the like.

CAUTION

Danger of explosion if battery is incorrectly replaced

Replace only with the same or equivalent type



EN Disposal of Used Electrical & Electronic Equipment

The meaning of the symbol on the product, its accessory or packaging indicates that this product shall not be treated as household waste. Please, dispose of this equipment at your applicable collection point for the recycling of electrical & electronic equipments waste. In the European Union and Other European countries which there are separate collection systems for used electrical and electronic product. By ensuring the correct disposal of this product, you will help prevent potentially hazardous to the environment and to human health, which could otherwise be caused by unsuitable waste handling of this product. The recycling of materials will help conserve natural resources. Please do not therefore dispose of your old electrical and electronic equipment with your household waste. For more detailed information about recycling of this product, please contact your local city office, your household waste disposal service or the shop where you purchased the product.

