

SENCOR®

SCA CHG1212

Battery Charger
Nabíječka akumulátorů
Nabíjačka akumulátorov
Akkumulátortöltő
Ładowarka do akumulatorów
Зарядное устройство
Akumuliatoriaus įkroviklis



Instruction manual
Návod k použití
Návod na používanie
Használati útmutató
Instrukcja obsługi
Руководство по эксплуатации
Instrukcijų vadovas

EN

CZ

SK

HU

PL

RU

LT

Important instructions!

- During the charging, use protective glasses and gloves! There is an increased risk of injury from caustic acid!
- During the charging, do not wear any clothes from synthetic materials to prevent sparking due to static discharge.
- Before connecting or disconnecting the battery, unplug the device from the power outlet.
- The charger contains components such as a switch or a fuse which can create the lightning arch or sparks. Always make sure of good ventilation in the garage or room!
- The charger is intended only for 12 V lead-acid batteries.
- Do not charge defective batteries.
- Follow the battery manufacturer's instructions.
- Attention! Protect from flames and sparks. During the charging, the explosive gas is releasing.
- Keep away from rain, splashing water and moisture.
- Do not place the charger on heated surface.
- Keep the ventilation slots free.
- Attention! Battery acid is a caustic agent. Wash possible affection of skin or clothes by soap. In case of affection of eyes by the acid, immediately rinse under the running water (15 min) and contact a doctor.
- Do not charge batteries which are not intended for charging.
- Follow the statements and instructions of car manufacturer concerning the battery charging.
- Do not charge several batteries at the same time.
- Do not short the charging clips.
- AC power cord and charging wires should be in perfect conditions.
- AC power cord and charging wires should be readily operable for immediate disconnecting from the power outlet.
- Keep children away from the charger.
- Attention! When acrid smell appears, there is an accurate danger of explosion. Turn off the device and unplug from power outlet. Do not remove the charging clips. Open the window and door of the room immediately for fresh air. Have the battery checked at customer service.
- Do not use the cable for other purposes than it is intended for. Do not hold the charger by the cable and do not pull the cable to unplug from the power outlet. Keep the power cord away from extreme temperatures, oil and sharp edges.
- Check the device regularly to avoid any damage. Defective or damaged parts should be repaired or replaced at authorised service centre if it not stated otherwise in the instruction manual.
- Adhere to voltage value (230V ~ 50 Hz).
- Keep the connectors clean and protect from corrosion.
- Always unplug the device from the power outlet before cleaning and maintenance.
- During connecting and charging the battery, when filling by acid or distilled water, you should wear acid resistant gloves and protective glasses.
- Repairs must be performed by a specialist in electrical engineering.

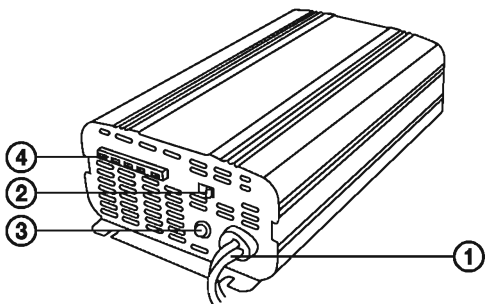
Disposal:

Batteries: Batteries can be disposed only at the garage station, special disposal points or special waste collection centres Check with the local community.

Description of the device

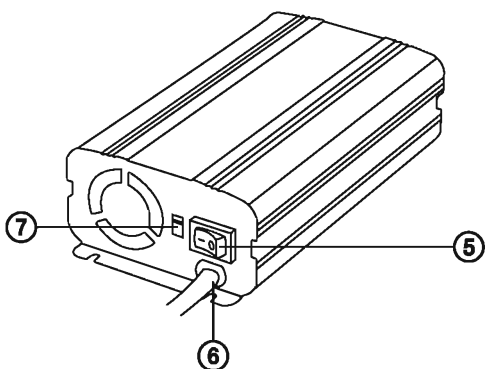
Front Panel

- ① DC Power cord
- ② Current switch (6A/12A)
- ③ LED power on indicator
- ④ Battery status indicator



Rear panel

- ⑤ ON/OFF power switch
- ⑥ AC input cord
- ⑦ AC voltage switch

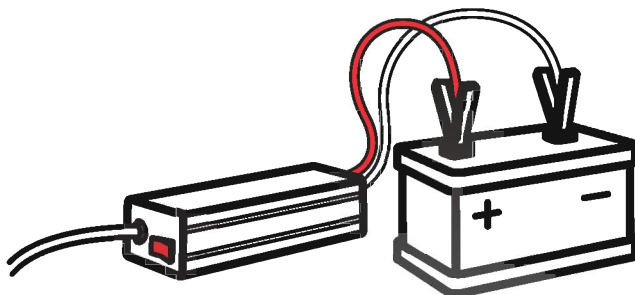


Features

1. Using a switch, you can select the charging current (6 A or 12 A, according to battery capacity and status).
2. When the output shorted or reversed polarity happens, a warning sound beeps.
3. Thermal protection against over-heating.
4. Battery capacity is easy to read by the LED indicators.
5. Advance Mosfet technology with high frequency and insulation transformer.
6. High efficiency.

Operating:

1. Make sure the device is turned off (ON/OFF power switch is in OFF position).
2. AC power cord must be unplugged.
3. Check the battery voltage. This should be the same with the charger output voltage.
4. Make sure the voltage in your outlet is the same with the charger voltage at input voltage of the switch. Change to right value if needed.
5. Disconnect the battery from car wire system and loose the clip caps. Check the acid level and add the distilled water according the manufacturer's instruction if needed.
6. Connect positive (RED) charger clip to positive post of battery and connect negative (BLACK) charger clip to negative post of battery.



7. Set up the charging rate which depends on the rated capacity of battery. For example, the charging rate for the 60 AH battery is 6A. See the battery instructions.
8. Turn on the charger (ON/OFF power switch is in ON position).
9. LED indicators will show (from right to left):
RED: Battery is empty.
FIRST ORANGE: Battery is charged about 30 %.
SECOND ORANGE: Battery is charged about 60 %.
THIRD ORANGE: Battery is charged about 85 %.
GREEN: Battery is charged about 95 %.
10. Charge for maximum period, calculated as a ratio of nominal battery capacity to charging current (for example: 60 AH battery charged at 6 A, means $60 \text{ AH} / 6 = 10$ hours maximum). During charging, check the charging process, the battery heating. The status of full charged battery can be achieved sooner if the battery war partially charged – follow the indicators on the charger.
11. After charging, disconnect the charger cables and place the caps back (accurate charging status of batteries can be measured by a densitometer to check the batteries).

Note:

We recommend to use the charging current of 0,1 – 0,3 C of battery capacity. Please follow this recommendation and rated values of battery manufacturer.

WARNING:

1. This charger cannot be used as a switching power supply.
2. This charger is used to charge unsealed lead-acid or maintenance free lead-acid batteries. Do not use for charging other batteries, special batteries or batteries with different electrolyte.
3. Leave an open space around the charger for ventilation. Do not place the charger in humidity.
4. If after a peak charging time (see above instructions for use) LED indicator does not change to green, it is possible the battery is damaged. Check the battery. Do not use or charge a damaged battery.

Technical specifications

Model	SCA CHG1212	
Kind of battery	Unsealed or maintenance-free lead-acid battery	
Voltage of battery	12 V DC	
AC input	Range	110 – 220 V AC \pm 10 % selectable
	Frequency	47 – 63 Hz
DC output	Float voltage	13,8 \pm 0,1 V DC
	Bulk voltage	14,5 \pm 0,1 V DC
	Bulk current	12 A \pm 5 % / 6 A \pm 5 % selectable
Protections	Output shorted	Yes
	Reversed polarity	Yes
	Current limit	Yes
	Over temperature	Yes
	Cooking fan	Yes
Unit temperature	< 60 °C	
Dimensions	170 × 97 × 49	
Weight	0,8 kg	

INSTRUCTIONS AND INFORMATION REGARDING THE DISPOSAL OF USED PACKAGING MATERIALS

Dispose of packaging material at a public waste disposal site.

DISPOSAL OF USED ELECTRICAL AND ELECTRONIC APPLIANCES



The meaning of the symbol on the product, its accessory or packaging indicates that this product shall not be treated as household waste. Please, dispose of this product at your applicable collection point for the recycling of electrical & electronic equipment waste. Alternatively in some states of the European Union or other European states you may return your products to your local retailer when buying an equivalent new product. The correct disposal of this product will help save valuable natural resources and help in preventing the potential negative impact on the environment and human health, which could be caused as a result of improper liquidation of waste. Please ask your local authorities or the nearest waste collection centre for further details. The improper disposal of this type of waste may fall subject to national regulations for fines.

For business entities in the European Union

If you wish to dispose of an electrical or electronic device, request the necessary information from your seller or supplier.

Disposal in other countries outside the European Union

If you wish to dispose of this product, request the necessary information about the correct disposal method from local government departments or from your seller.

CE This product meets all the basic EU regulation requirements that relate to it.

Changes to the text, design and technical specifications may occur without prior notice and we reserve the right to make these changes.