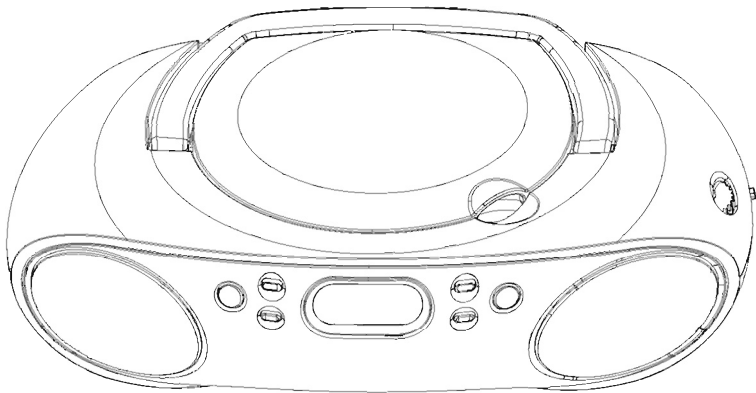


SENCOR[®]


Portable CD/MP3 Radio Player

SPT 224



Instruction Manual


IMPORTANT SAFETY INSTRUCTIONS

1. Read these instructions – All the safety and operating instructions should be read before this product is operated.
2. Keep these instructions – The safety and operating instructions should be retained for future reference.
3. Heed all warnings – All warnings on the appliance and in the operating instructions should be adhered to.
4. Follow all instructions – All operating and use instructions should be followed.
5. Do not use this apparatus near water – The appliance should not be used near water or moisture – for example, in a wet basement or near a swimming pool, and the like.
6. Clean only with dry cloth.
7. Do not block any ventilation openings. Install in accordance with the manufacturer's instructions.
8. Do not install near any heat sources such as radiators, heat registers, stoves, or other apparatus (including amplifiers) that produce heat.
9. Do not defeat the safety purpose of the polarized or grounding plug. A polarized plug has two blades with one wider than the other. A grounding plug has two blades and a third grounding prong. The wide blade or the third prong is provided for your safety. If the provided plug does not fit into your outlet, consult an electrician for replacement of the obsolete outlet.
10. Protect the power cord from being walked on or pinched particularly at the plugs, convenience receptacles, and at the point where they exit from the apparatus.
11. Only use attachments/accessories specified by the manufacturer.
12. Use only with the cart, stand, tripod, bracket, or table specified by the manufacturer, or sold with the apparatus. When a cart or rack is used, use caution when moving the cart/apparatus combination to avoid injury from tip-over.
13. Unplug the apparatus during lightning storms or when unused for long periods of time.
14. Refer all servicing to qualified personnel. Servicing is required when the apparatus has been damaged in any way, such as power supply cord or plug is damaged, liquid has been spilled or objects have fallen into the apparatus has been exposed to rain or moisture, does not operate normally, or has been dropped.
15. Please keep the unit in a good ventilation environment.
16. CAUTION: These servicing instructions are for use by qualified service personnel only. To reduce the risk of electric shock, do not perform any servicing other than that contained in the operating instructions unless you are qualified to do so.
17. WARNING: To reduce the risk of fire or electric shock, do not expose this apparatus to rain or moisture. The apparatus shall not be exposed to dripping or splashing and that no objects filled with liquids, such as vases, shall not be placed on apparatus.
18. WARNING: The battery (battery or batteries or battery pack) shall not be exposed to excessive heat such as sunshine, fire or the like.
19. WARNING: Excessive sound pressure from earphones and headphones can cause hearing loss.
20. WARNING: The mains plug is used as disconnect device, the disconnect device shall remain readily operable.
21.  This is CLASS II apparatus with double insulation, and no protective earth provided.



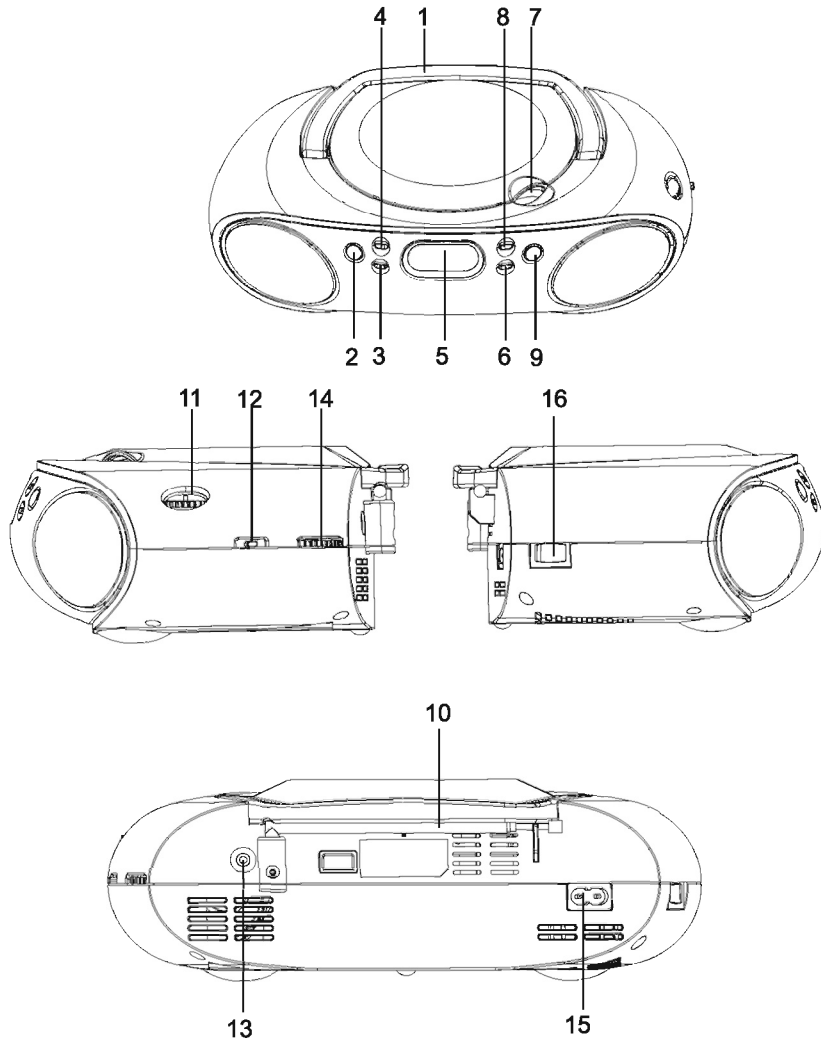
22



- This lightning flash with arrowhead symbol within an equilateral triangle is intended to alert the user to the presence of non-insulated "dangerous voltage" within the product's enclosure that may be of sufficient magnitude to constitute a risk of electric shock.
 - Warning: To reduce the risk of electric shock, do not remove cover (or back) as there are no user-serviceable parts inside. Refer servicing to qualified personnel.
 - The exclamation point within an equilateral triangle is intended to alert the user to the presence of important operating and maintenance instructions in the literature accompanying the appliance.
23.  Invisible laser radiation when open and interlocks defeated. Avoid exposure to beam of laser.
 24. Minimum distances of 5 cm around the apparatus for sufficient ventilations.
 25. Do not install this equipment in a confined space such as a book case or similar unit. The ventilation should not be impeded by covering the ventilation openings with items such as newspaper, table-cloths, curtains etc.
 26. No naked flame sources, such as lighted candles, should be placed on the apparatus.
 27. Attention should be drawn to environmental aspects of battery disposal.



Correct Disposal of this product. This marking indicates that this product should not be disposed with other household wastes throughout the EU. To prevent possible harm to the environment or human health from uncontrolled waste disposal, recycle it responsibly to promote the sustainable reuse of material resources. To return your used device, please use the return and collection systems or contact the retailer where the product was purchased. They can take this product for environmental safe recycling.



CONTROLS

Top and front panels (See 1)

1. HANDLE
 - carrying the device
2. PLAY MODE
 - select different play mode.
3. SKIP ◀◀
 - CD/MP3/USB: - skips track backward.
4. SKIP ▶▶
 - CD/MP3/USB: - skips track forward.
5. DISPLAY
 - shows the CD/USB functions .
6. STOP/FOLDER
 - stops CD/USB playback; erases a CD/USB program.
 - MP3 folder select.
7. CD DOOR
 - Lift it to place the CD.
8. PLAY/PAUSE
 - starts or pauses CD/USB play.
9. PROG
 - programs and reviews the programmed track number.

Back and side panels (See 1)

10. FM ANTENNA
 - to improve FM reception.
11. TUNING CONTROL
 - selects FM/AM stations.
12. FUNCTION SELECTOR
 - selects source of sound AM, FM, AUX, CD/MP3
13. AUX IN JACK
 - Connect auxiliary device.
14. VOLUME CONTROL
 - adjusts volume level.
15. AC MAINS
 - inlet for power cord
16. MAIN POWER ON/OFF SWITCH
 - turn ON/OFF the unit.

POWER SUPPLY

Power Supply

Using AC Power

1. Check if the power voltage, as shown on the type plate located on the rear of the set, corresponds to your local AC power supply. If it does not, consult your dealer or service centre.
2. Connect the power cord to the AC MAINS inlet and the wall outlet. The power supply is now connected and ready for use.
3. To switch off completely, unplug the power cord from the wall outlet.
 - Unplug the power cord from the wall outlet to protect your set during heavy thunderstorms.

Using the batteries (not included)

Open the battery compartment and insert six batteries, type LR14, UM-2 or C cells, (preferably alkaline) with the correct polarity as indicated by the "+" and "-" symbols inside the compartment.

Batteries contain chemical substances, so they should be disposed of properly.

Incorrect use of batteries can cause electrolyte leakage and will corrode the compartment or cause the batteries to burst. Therefore:

- Do not mix battery types: e.g. alkaline with carbon zinc. Only use batteries of the same type for the set.
- When inserting new batteries, do not try to mix old batteries with the new ones.
- Remove the batteries if the set is not to be used for a long time.

BASIC FUNCTION

Switching power on/off: Save energy
Whether you are using mains or battery supply,
to avoid unnecessary energy consumption
always turn OFF the unit when not in use.

General operation

- 1 To select your sound source adjust the FUNCTION selector to **AM, FM, AUX, CD/MP3**.
- 2 Adjust the sound with the **VOLUME** control.
- 3 To switch off the set, adjust the POWER SWITCH to off position.

RADIO

Radio reception

1. Slide the FUNCTION selector to a desired setting
 - FM, AM.
2. Rotate the TUNING control to find the desired stations.
3. When you have finished listening,
turn off the unit with POWER switch.
 - For **FM**, pull out the telescopic antenna. Incline and turn the antenna. Reduce its length if the signal is too strong (very close to a transmitter).
 - For **AM** the set is provided with a built-in antenna so the telescopic antenna is not needed. Direct the antenna by turning the whole set.

AUX IN

To play music from personal player.

1. Slide the FUNCTION Selector to AUX position.
2. Connect your personal audio player to AUX IN jack with a cable (not included).
3. Set the audio player to play.
4. Rotate the VOLUME control on the set to adjust volume level.

CD/MP3 PLAYBACK

Playing a CD/MP3

This CD-player can play Audio Discs, CD-R, and CD Rewritables. Do not try to play CD-ROM, CDi, VCD, DVD or computer CD.

- 1 Slide the **FUNCTION** selector to CD/MP3 position.
→Display: shows - - - briefly.
- 2 To open the CD door, lift the CD door at the edge marked **OPEN**.
- 3 Insert a CD, CD-R or CD-RW with the printed side facing up and press the CD door gently close.
- 4 Press **PLAY/PAUSE** on the set to start playback.
- 5 To pause playback press **PLAY/PAUSE**.
To resume, press **PLAY/PAUSE** again.
- 6 To stop CD playback, press **STOP**.
- 7 To start from desired folder in MP3 disc, press and hold **STOP/FOLDER** then press this button repeatedly to access different folders.

Note: CD play will also stop when:

- you open the CD compartment;
- you select **RADIO** sound source;
- the CD has reached to the end.

Selecting a different track

During playback you can use **◀▶** or **▶▶** to select a particular track.

- If you have selected a track number in the stop or pause position, press **PLAY/PAUSE** to start playback.
- Press **▶▶** once briefly for the next track, or press repeatedly until the desired track number appears in the display.
- Press **◀▶** once briefly to return to the beginning of a current track.
- Press **◀▶** more than once briefly for a previous track.

PLAY MODE:

REPEAT - plays the current track continuously
REPEAT ALL - plays the entire CD continuously
REPEAT ALBUM - plays the current album continuously.
RANDOM - Play the CD in random order

CD PLAY MODE:

REPEAT > REPEAT ALL > RANDOM

MP3/USB PLAY MODE:

REPEAT > REPEAT ALBUM > REPEAT ALL > RANDOM

Programming track numbers

You may store up to 20 tracks in the desired sequence. If you like, store any track more than once.

1. In the **STOP** mode, press **PROG**, "P01" appears.
- 2 press **◀▶** or **▶▶** for your desired track.
- 3 When your chosen track number appears, press **PROG** once to store the track.
→The display shows the next programming track number.
- 4 Repeat steps 2 to 3 to select and store all desired tracks in this way.
- 5 To play your program, press **PLAY/PAUSE**.

Reviewing your set program

- In the stop mode, press **◀▶** or **▶▶**, the display will show you the stored tracks.

Erasing a program

You can erase the contents of the memory by:

- opening the CD door;
- selecting **RADIO** source;
- pressing **STOP** (twice during playback or once in the stop mode)

Notice:

Depending on the type of CD burner, the brand, MP3 compression level, some reading problems may occur.

MAINTENANCE & SAFETY

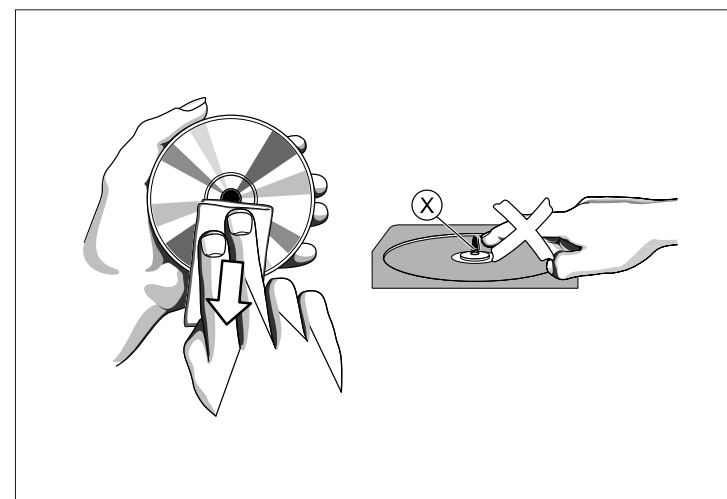
Precautions & General Maintenance

- Place the set on a hard and flat surface so that the system does not tilt.
- Do not expose the set, batteries or CDs to humidity, rain, sand or excessive heat caused by heating equipment or direct sunlight.
- Do not cover the set. Adequate ventilation with a minimum gap of 6 inches between the ventilation holes and surrounding surfaces is necessary to prevent heat build-up.
- The mechanical parts of the set contain self-lubricating bearings and must not be oiled or lubricated.
- To clean the set, use a soft dry cloth. Do not use any cleaning agents containing alcohol, ammonia, benzene or abrasives as these may harm the housing.



CD player and CD handling

- The lens of the CD player should never be touched!
- Sudden changes in the surrounding temperature can cause condensation to form and the lens of your CD player to cloud over. Playing a CD is then not possible. Do not attempt to clean the lens but leave the set in a warm environment until the moisture evaporates.
- Always close the CD door to keep the CD compartment dust-free. To clean, dust the compartment with a soft dry cloth.
- To clean the CD, wipe in a straight line from the centre towards the edge using a soft, lint-free cloth. Do not use cleaning agents as they may damage the disc.
- Never write on a CD or attach any stickers to it.



TROUBLESHOOTING

Troubleshooting

If a fault occurs, first check the points listed below before taking the set for repair.

Do not open the set as there is a risk of electric shock.

If you are unable to remedy a problem by following these hints, consult your dealer or service center.

WARNING: Under no circumstances should you try to repair the set yourself, as this will invalidate the warranty.

–Problem

•Solution

No sound /power

–Volume not adjusted

•Adjust the VOLUME

–power cord not securely connected

•Connect the AC power cord properly

–Batteries dead/ incorrectly inserted

•Insert (fresh) batteries correctly

Display does not function properly /
No reaction to operation of any of
the controls

–Electrostatic discharge

•Switch off and unplug the set. Reconnect after a few seconds

no disc indication

–No CD inserted

•Insert a CD, CD-R or CD-RW

–CD badly scratched or dirty

•Replace/ clean CD, see Maintenance

–Laser lens steamed up

•Wait until lens has cleared

–CD-R is blank or the disc is not finalized

•Use a finalized CD-R

CD playback does not work

–CD badly scratched/ dirty

•Replace/ clean CD (see maintenance)

–Laser lens steamed up

•Wait until lens has adjusted to room temperature

The CD skips tracks

–CD damaged or dirty

•Replace or clean CD

–Program is active

•Quit Program mode(s)

Environmental information

We have done our best to reduce the packaging and make it easy to separate into 3 materials: cardboard, paper pulp and expandable polyethylene.

Your set consists of materials which can be recycled if disassembled by a specialized company. Please observe the local regulations regarding the disposal of packaging, dead batteries and old equipment.

SPECIFICATION

Specifications :

- Power supply : AC 230V~, 50Hz
- Power consumption : 15 Watts
- Dimensions of unit : 270mm(W) x 97 mm (H) x 182mm (D)
- Frequency range : AM 540 - 1600 KHz
: FM 88 - 108 MHz
- Antenna : FM - Telescopic ANTENNA
: AM - FERRITE BAR ANTENNA
- CD Section : TOP LOADING CD PLAYER
- CD Size : 5" & 3" COMPATIBLE
- Speaker System : 2 WAY 2 SPEAKERS SYSTEM
- AUX IN jack : 3.5 mm

DISPOSAL OF USED ELECTRICAL AND ELECTRONIC APPLIANCES



The meaning of the symbol on the product, its accessory or packaging indicates that this product shall not be treated as household waste. Please, dispose of this product at your applicable collection point for the recycling of electrical & electronic equipment waste. Alternatively in some states of the European Union or other European states you may return your products to your local retailer when buying an equivalent new product. The correct disposal of this product will help save valuable natural resources and help in preventing the potential negative impact on the environment and human health, which could be caused as a result of improper liquidation of waste. Please ask your local authorities or the nearest waste collection centre for further details. The improper disposal of this type of waste may fall subject to national regulations for fines.

For business entities in the European Union

If you wish to dispose of an electrical or electronic device, request the necessary information from your seller or supplier.

Disposal in other countries outside the European Union

If you wish to dispose of this product, request the necessary information about the correct disposal method from local government departments or from your seller.



This product meets all the basic EU regulation requirements that relate to it.