

# SENCOR®

## SPV 7721T

PORTABLE DVD PLAYER WITH 7" (18 cm)  
LCD SCREEN AND DVB-T TUNER

PŘENOSNÝ DVD PŘEHRÁVAČ S 7" (18 cm)  
LCD OBRAZOVKOU A DVB-T TUNEREM

PRENOSNÝ DVD PREHRÁVAČ SO 7" (18 cm)  
LCD OBRAZOVKOU A DVB-T TUNEROM



USER'S MANUAL  
NÁVOD K OBSLUZE  
NÁVOD NA OBSLUHU

EN CZ SK


# Contents

Important safety instructions .....	2
Description of the device .....	7
Remote control .....	8
Installation .....	10
Connecting to a TV .....	10
USB connection .....	10
Playback .....	11
Playback of MP3/WMA/MPEG4 files .....	11
Viewing images .....	12
System settings .....	12
Language .....	13
Video .....	13
Rating .....	14
Misc .....	15
DVB-T reception .....	16
First installation .....	16
Basic DVB-T menu .....	16
Troubleshooting .....	18
Technical specifications .....	19

# Important safety instructions

If you want to use this product correctly, carefully read this user's manual and store it for future reference.

## General safety instructions

- Read this user's manual. Keep the user's manual in a safe place for future reference. If you give this product to a third party, hand over the user's manual together with the product.
- Follow the instructions contained in this user's manual.
- Heed all warnings.
- Adhere to all instructions.
- Use only accessories recommended by the manufacturer.
- An open flame must not be placed on the product, e.g. burning candle .
- Use the product in a temperate climate zone.
- Neither the manufacturer nor the seller of the device under no condition takes responsibility for any direct or indirect damages caused by not adhering to instructions for installation, setup, use, service or cleaning of this device as described in this user's manual.
- Protect the device against being knocked, dropped, hit, shaken and against vibrations, humidity and dust.
- Before allowing children to use the device, they must be appropriately to their age, informed about the correct and safe use of the player.

## Installation, operation

- Install the device according to the instructions in the user's manual.
- Leave free space on all sides of the device, necessary for proper air circulation. This removes the heat created during operation. Covering the ventilation openings of the device's case creates a risk of overheating or damaging the device. It is necessary to ensure that the ventilation openings are not blocked, e.g. by a newspaper, table cloth, curtain, etc. Follow the installation instructions in the user's manual.
- Do not install the device in direct sunlight or near sources of heat, such as heaters, heat exchangers, stoves or other appliances (including amplifiers) producing heat. High temperatures significantly reduce the lifetime of electronic components in the device. Do not use or leave the device in the vicinity of an open fire.
- The device must not be exposed to dripping or running water and objects filled with water must not be placed on it, e.g. vases. Protect the device against rain, spray or contact with any other liquid, do not leave or install the device outdoors. Do not use the device outdoors. Not adhering to these instructions creates a risk of electrical shock or fire hazard.
- Do not use this device near water.
- Do not try to circumvent the polarised power plug safety feature. If the power plug cannot be inserted into your power socket, contact a qualified electrician to replace the old type of power socket.
- Before connecting the device into a power socket, check that the voltage in your power socket corresponds to the voltage on the rating label of the device or on its power adapter.
- Make sure that the power cord is not stepped on or compressed, particularly near the power plug, power socket and at the point where it exits the device or the adapter. The power plug (adapter) is used as a disconnection device and must be easily accessible.
- Remember to always disconnect the power plug (adapter) from the power socket before disconnecting the power cable from the back side of the device.
- Disconnect the device from the power socket during storms or if you will not be using it for a longer time.
- Avoid moving the device from a cold environment to a warm one or vice versa, or when using the device in a very humid environment. Air humidity may condense on some components

# Important safety instructions

inside the case of the device and the device may stop working temporarily. If this occurs leave the device in a warm and well ventilated place and wait 1 – 2 hours until the moisture evaporates and the device can once more be used as usual. Take care especially during the first use of the player immediately after its purchase during a cold season.

## Repairs and maintenance

- To prevent risk of injury through electric shock or the creation of a fire, do not take the device out of the case - there are no parts inside the case repairable or adjustable by the user without relevant equipment and qualifications. Should the device require adjustment or repair, contact a professional service centre.
- In the event of any unusual events occurring during the use of the device such as for example if there is a distinct smell of burning insulation or smoke comes out of the device, immediately turn off the device, disconnect the device from the power source and do not use the device until you have received the results of the inspection from the employees of the professional service centre.
- Have all repairs carried out by qualified personnel. Repairs are necessary if the device has been damaged in any way, for example if the power cord is damaged, liquid was poured on the device, foreign objects have entered the device, the device has been exposed to rain or moisture, if the device is not working as usual or if it has fallen.
- Clean the device only with a dry cloth.

## Remote control and batteries

- Do not expose the remote control or the batteries to direct sunlight or sources of heat, such as heaters, heat exchangers, stoves or other appliances (including amplifiers) producing heat. Do not use or leave the device in the vicinity of an open fire.
- Neither the remote control nor the batteries may be exposed to dripping or running water and objects filled with water must not be placed on them, e.g. vases. Protect against exposure to rain, spraying or pouring of any kind of liquid. Do not use outdoors. Not following these instructions creates a danger of damage to the remote control or the battery.
- Do not use this device near water.
- It is necessary pay attention to the environmental impact aspects of battery disposal.
- The incorrect use of batteries may cause the leakage of the electrolyte and corrosion. To ensure that the remote control works correctly, proceed according to the instructions below:
  - Do not insert the batteries in the wrong orientation.
  - Do not recharge, heat, open or short circuit the batteries.
  - Do not throw batteries into a fire.
  - Do not leave discharged batteries in the remote control.
  - Do not combine various types of batteries or new and old batteries.
  - If you will not be using the remote control for a long period of time, remove the batteries to prevent potential damage caused by a subsequent battery leakage.
  - If the remote control is not working correctly or its operational range is reduced, change all batteries for new ones.
  - If electrolyte leaks out from the batteries, have the remote control cleaned by an authorised service centre.

**Attention:** To prevent a fire hazard or injury by electrical shock, do not expose this device to rain or humidity.

**Attention:** Batteries must not be exposed to excessive heat, for example sunlight, fire, etc.

# Important safety instructions



This symbol indicates that there is dangerous voltage inside this device, which presents a risk of injury by electrical shock.



This symbol indicates important operating or repair instructions in the device's documentation.



This symbol indicates that the device has double insulation between the dangerous mains voltage and the parts accessible to the user. In the event of repairs use only identical spare parts.

## Comments about USB connectors:

- USB flash drives must be connected directly to an appliance. To prevent data transmission failure or interference do not use USB extension cables. Electrostatic discharges may cause the device to malfunction. In such an event the user must restart the device.
- Before using the USB flash drive check that it communicates correctly with the device and its read/write data speed.
- To achieve maximum reading speed we recommend that you keep disk space defragmented. Use the FAT32 file system, a single partition, without protection. If reading and writing on the memory card is not continuous, undesirable effects may occur such as partial image loss (distortions/checkering effects) or complete image loss, audio defects, and in extreme cases the operation will be stopped. Unexpected behaviour of the connected flash drive, or the presence of viruses or other damaging software may cause the functions of the device to stop working, necessitating a restart.
- The USB connector is of the standard type and cannot power USB devices with a large power consumption (e.g. hard disks HDD). Use devices that have their own power supply and power them using their independent power supplies.
- The device was designed to achieve maximum compatibility with flash drives. Due to the variety of devices on the market it is not possible to guarantee compatibility with every USB device. In the event of difficulties try formatting the flash drive directly in the appliance. If problems persist, use a different flash drive.

# Important safety instructions

## Appendix to LCD TV Instruction Manual

### Precautions When Still Image is Displayed, Red/Blue/Green/Black spots on the screen

#### A still image may cause permanent damage to TV screen

- Do not display still image on the LCD panel for more than 2 hours as it can cause screen image retention. This image retention is known as "screen burn". To avoid such image retention, reduce the degree of brightness and contrast of the screen during still image watching.
- Similar "screen burn" effect can appear on the LCD panel due to still TV channel logo displaying.
- Watching TV in 4:3, 14:9 or similar modes which doesn't cover whole screen for long period of time may leave traces of borders displayed on the left, right or center of the screen caused by the difference of light emission on the screen. Playing a DVD or a game console can cause a similar effect to the screen.
- Displaying still images from video games and PC for longer than a certain period of time may produce partial after-images. To prevent this effect reduce the brightness and contrast when displaying still images.



Damage caused by above reasons is not covered by the Warranty!

### There may appear red spots, blue spots, green spots and black spots on the screen

- This is a characteristic of liquid crystal panels and is not a problem. The liquid crystal panels are built with very high precision technology giving you fine picture details. Occasionally a few non-active pixels may appear on the screen as fixed point of red, green, blue or black (up to 0.001% of total display pixels). Please note this doesn't affect the performance of your LCD TV.

## Notes on Discs

### Handling Discs

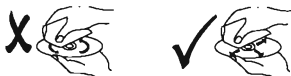
- Do not touch the playback side of the disc. Hold the disc by the edges so that fingerprints do not get on the surface. Never stick paper or tape on the disc – for labelling discs use special soft tip markers designed for this use, write on the side of the disc with the label.



- After playing, store the disc in its case. Do not expose the disc to direct sunlight or source of heat and never leave it in a parked car exposed to direct sunlight or near a heat source; do not leave discs in closed vehicles parked in direct sunlight. Risk of disc deformation.

### Cleaning Discs

- Fingerprints and dust on the disc can cause poor picture quality and sound distortion. To remove them wipe the disc with a soft lint free cloth before playing. When cleaning the disc proceed from the centre directly to the edge (not in circular motion).



- Do not use vinyl record anti-static sprays, petrol, ethanol or other solvents or thinners.

# Important safety instructions

**RW** This indicates a product feature that is capable of playing DVD-RW discs recorded with Video Recording format.  
**COMPATIBLE**

## Notes:

1. Depending on the recording media, recording method (used PC program used for the disc recording) and its finalisation, it is possible that it will not be possible to play some CD-R or DVD+/-RW/R discs.
2. Do not attach any seal or label to either side (the labeled side or the recorded side) of a disc.
3. Use the player to play only circular discs - when playing irregular shaped discs there is a risk of damaging the disc or the player.
4. Some playback operations of DVDs and Video CDs may be intentionally programmed by software manufacturers. This unit plays DVDS and Video CDs according to disc content designed by the software manufacturer, therefore some playback features may not be available or other functions may be added.

Manufactured under license from Dolby Laboratories. „Dolby“, „Pro Logic“, and the double-D symbol are trademarks of Dolby Laboratories.

## Region code



This player is designed for playing DVD video marked with region code 2 or ALL (discs labelled in this way can be played by all DVD players). The disc's region code is located on its label or cover, the player's region code is located on the back/bottom side of the player. After inserting a DVD with a different region code than mentioned above a message Check Region Code will be displayed on the screen and DVD playback will be rejected by the player.

## Caution

This unit employs a laser system. In order to ensure the proper use of the unit, please read this manual carefully and keep it for future reference.

In order you should not be exposed to laser radiation, the disc slot is placed on the side of the device due to the safety reasons. In no cases attempt to modify or change the disc slot. Do not look into the disc slot when inserting the disc or playback the disc. Visibly laser may radiate. Do not stare into the laser beams.

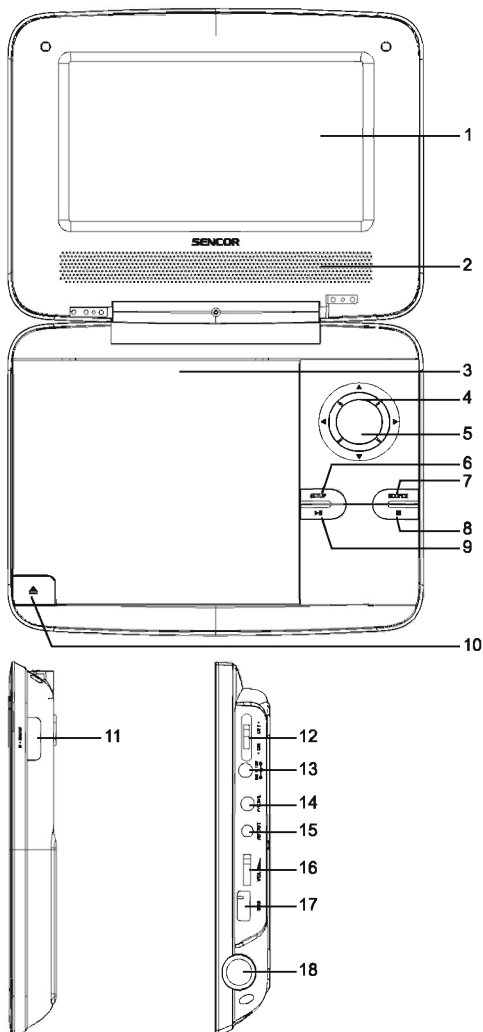
## CAUTION:

THE DVD PLAYER IS A CLASS 1 LASER PRODUCT. USE OF CONTROLS OR ADJUSTMENTS OR PERFORMANCE OF PROCEDURES OTHER THAN THOSE SPECIFIED HEREIN MAY RESULT IN HAZARDOUS RADATION EXPOSURE. AS THE LASER BEAM USED IN THIS DVD VIDEO PLAYER IS HARMFUL TO THE EYES, DO NOT ATTEMPT TO DISASSEMBLE THE CABINET. REFER SERVICING TO QUALIFIED PERSONNEL ONLY.

**This item incorporates copy protection technology that is protected by U.S. patents and other intellectual property rights of Rovi Corporation. Reverse engineering and disassembly are prohibited.**

# Description of the device

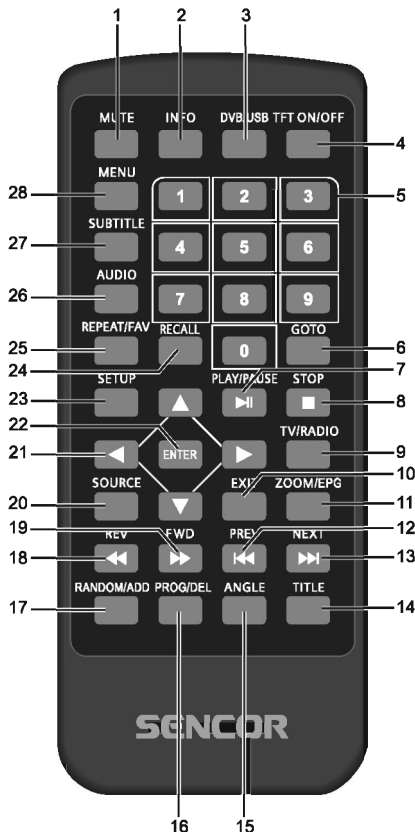
1. LCD display
2. Speaker
3. Disc top/lid
4. Direction arrows ▲/▼/▶/◀
5. OK button
6. SETUP Button (Settings)
7. SOURCE button (Input source)
8. Button ■ (Stop of playback)
9. Button ▶|| (Playback/pause)
10. Opening the disc lid
11. Charging indicator light
12. ON/OFF switch
13. Input power supply connector DC 12 V
14. Headphone socket
15. Output connector AV OUT
16. Volume Adjustment button
17. USB connector
18. Input antenna socket ANT IN





# Remote control

1. MUTE button
2. INFO button
3. DVB/USB button
4. Main switch
5. Numerical buttons
6. GOTO button
7. PLAY/PAUSE button
8. STOP button
9. TV/RADIO button
10. EXIT button
11. ZOOM/EPG button
12. PREV button
13. NEXT button
14. TITLE button
15. ANGLE button
16. PROG/DEL button
17. RANDOM/ADD button
18. REV button
19. FWD button
20. SOURCE button
21. Direction arrows ▲▼/▶◀
22. ENTER button
23. SETUP button
24. RECALL button
25. REPEAT/FAV button
26. AUDIO button
27. SUBTITLE button
28. MENU button

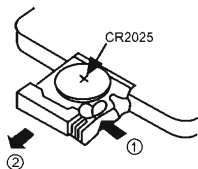


## Using the remote control

- To control the device using the remote control point the remote control at the device and then press the button with the required function. The effective range of the remote control is up to about 5 meters with a max deviation of +/- 30° from the perpendicular direction to the reception sensor of the remote control on the front side of the device. The falling capacity of the batteries gradually reduces the remote control range.
- There must be no solid obstacles in the area between the remote control and the device when the remote control is being used. During standard use the lifetime of batteries in the remote control is about 1 year. When the effective range of the remote control is substantially reduced or when there are problems with its use, change both the batteries in the remote control.
- If you will not be using the remote control for a longer period of time, take out both batteries from it - in this way you will prevent potential damage caused by their leakage.

## Remote control

### Replacing the battery in the remote control



A lithium CR2025 battery is used to power the remote control.

To replace it proceed according to the follow the instructions:

1. Press the battery holder lock to the left and pull out the holder from the remote control.
2. Take the flat battery out of the holder.
3. Insert a new battery into the holder so that the + (plus) symbol on the battery faces upwards and then push the holder with the battery back into the remote control.

#### Note:

Remove the batteries if you will be storing the device or not using it for an extended period of time.

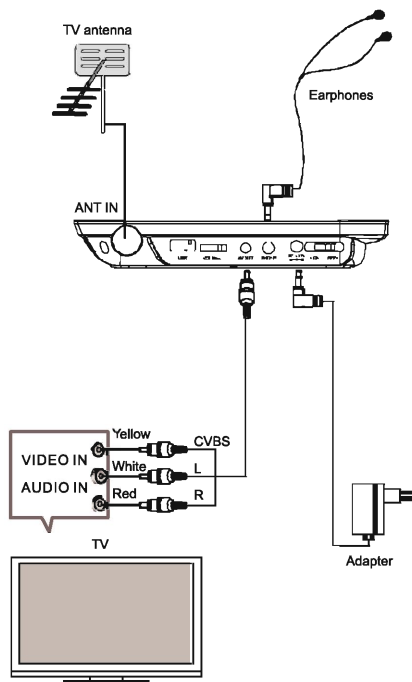
### Handling the built-in lithium-polymer battery pack

The capacity of the built-in rechargeable lithium-polymer pack is 1,300 mAh, which equates to approx. 1.5 hours of television use. A part of the television is a management system for the built-in battery pack, which indicates a low battery charge state.

1. After the voltage in the battery pack falls below a certain value, the television will switch to a "Low power voltage" mode and an icon will start to flash on the TV screen indicating low voltage in the battery pack and the need for the user to recharge it.
2. If a power adapter is connected to the television, it will be used for powering both the television and charging the battery pack, regardless of whether the television is turned on or not.
3. If the television is not connected to the power adapter and the user continues using the television, the battery pack will go flat (indicated by a flashing icon of a flat battery pack in the top left corner of the screen) after a certain time, the screen will turn off and sound will also be turned off at the same time. After the power adapter is connected to the television, the television will switch to normal operating mode (including the playback of picture and sound).

# Installation

## Connecting to a TV



## USB connection

The device is equipped with a slot for the connection of a USB flash drive for the playback of music in MP3 format or images in JPEG format, or to playback other files in formats supported by the device.

Connect the USB flash drive to the device.

### Important notices:

- The device supports only flash type USB flash drives. Do not connect MP3 players or any other devices to the input USB socket, equipped with the same connector, not even by using USB cables.
- When inserting the USB flash drive ensure that the orientation of the connector is correct. Otherwise you could damage the USB flash drive and the device.

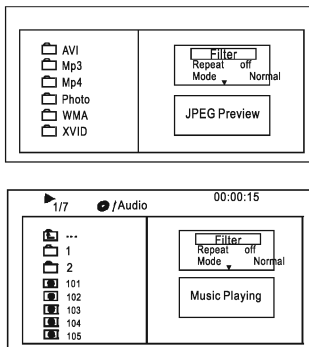
To connect a USB flash drive press the **SOURCE** button and select the **USB** mode.


All functions are the same as when playing a disc.

# Playback

## Playback of MP3/WMA/MPEG4 files

Disks for the playback of MP3/WMA/MPEG4 formats have the following directory structure.



1. Using the direction arrows select the root directory and then using the **ENTER** button go into the subdirectory.
2. Using the arrow buttons select the audio file you wish to play and start playback with the **ENTER** or **PLAY** button.
3. If you wish to return to a higher level directory, use the direction arrows to select icon  and confirm with the **ENTER** button.

**Filter:** Enables the selection of file categories displayed in the list. You can select from 3 categories: Audio, Images, Video.


**Repeat:** For the selection of various modes of repeat playback

**Mode:** For the selection of the playback mode

**Normal:** For playing files on the disc in the order in which they are stored on the disc.

**Shuffle:** For playing files in the current directory in random order. If playback is not ended, after playing all the files in the directory, playback will continue in the directory playing the files in a different randomly selected order.

**Music Intro:** For playing the first 10 seconds of every file.

**Edit Mode:** For programming the playback of files from the disc in an order selected by the user. To select the directory with a file, which you wish to enter into the program, press the button , select the given file and confirm with the **ENTER** button. Press **Add to program** to add to the programmed playback.

**Program view:** To display files stored in the programmed playback.

**Browser view:** To display files in a directory.

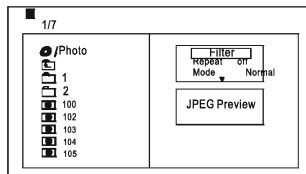
**Add to program:** Select a given file and press **Add to program** to add the file to the playback directory.


**Clear Program:** Press the STOP/TEXT button (during playback it is necessary to press the button twice) and then to clear the program selection by selecting **Clear Program**.

# Playback

## Viewing images

CD discs for the viewing images have the following directory structure.



1. Using the direction arrows select the root directory and then using the **ENTER** button go into the subdirectory.
2. Using the arrow buttons select the image you wish to view and display it using the **ENTER** or **PLAY** button.
3. If you wish to return to a higher level directory, use the direction arrows to select icon  and confirm with the **ENTER** button.

## Rotating an image

In the image display mode rotate the image using the arrow buttons.

Use the **ANGLE** button to change the viewing angle of the image.

# System settings

## Controlling the menu

Press the **SETUP** button on the remote control to enter the main menu. Using buttons **▲/▼** select the respective menu item and enter the selected item by pressing the **ENTER** button.

Use the **◀** button to return to a higher menu level.

Exit the menu using the **SETUP** button.

## Language

In the main menu select the item **Language** to display the submenu.

Language	OSD Language
Video	Subtitle
Rating	MPEG4 Subtitle
Misc	Audio
	DVD Menu

### OSD Language

Select the OSD language.

### Subtitle

Select the subtitle language. Adhere to instructions in the DVD settings section.

### MPEG 4 Subtitle

Select MP4 subtitles.

### Audio

Select the built-in dubbing language, if available. Adhere to instructions in the DVD settings section.

### DVD Menu

Select the film menu language. Adhere to instructions in the DVD settings section.

## Video

In the main menu select the item **Video** to display the submenu.

Language	Aspect Ratio
Video	TV System
Rating	Smart Picture
Misc	

# System settings

## Aspect Ratio

The aspect ratio of the display depends on the format of the recording on the disc. Some discs do not support your chosen aspect ratio.

If the disc is recorded in the 4:3 ratio and you wish to play it back in a wide-angle aspect ratio, then on the sides of the screen (on the left and right) there will be black bands. It is necessary to set the side aspect ratio based on the type of television that you own.

## TV System

This device supports the outputs of various systems including NTSC and PAL. If your television supports only NTSC or PAL and you select the wrong TV system, the screen will flash and the picture will disappear.

### Note:

For more information about TV systems follow the instructions in your television's user's manual.

## Smart picture (Intelligent picture)

You can set the display effect for output video:

- **Standard:** standard effect
- **Bright:** bright effect
- **Soft:** soft effect
- **Dynamic:** the user can set the brightness, contrast, colour, etc.

## Rating

In the main menu select the item **Rating** to display the submenu.

### Note:

Disc evaluation support depends on the disc.

Language	Parental Control Set Password
Video	
Rating	
Misc	

## Parental Control

Disc evaluation enables the user to set a level of parental control over the player.

Select the item "Parental control" and then using the **ENTER** button you can change the mode.

### Note:

Turn off the parental lock function before setting the level of parental control.

## Set Password

Using the number buttons 0-9 enter a 4-digit password and confirm with the **ENTER** button.

### Note:

If you forget the password you can use the factory default password "**6666**".

# System settings

## Misc

In the main menu select the item **Misc** to display the submenu.

### Use Default Setting

Use this function to return the factory settings of the device. If you use this function then all the settings you have made will be erased.

Language	Use Default Settings
Video	
Rating	
Misc	



# DVB-T reception

## DVB-T reception

For DVB-T reception press the **SOURCE** button and select the DVB-T mode.

## First installation

If you have turned on the device for the first time or you have reset to the factory settings then the first installation will appear. Use the remote control to perform the installation.

Init Install	
OSD Language:	English
English Area:	Francia
Germany Time Zone:	Espanol
GMT+1	Deutsch
	Nederlands
	Polaki
FTA Default setting	

1. In the first installation menu select the language, country and time zone.
2. Then press the **ENTER** button to start the automatic channel search.
3. Wait until the search has finished. If you wish to stop the search before it has finished press the button **EXIT**. The channels that have been found will be saved.
4. All available channels will be stored in memory after a complete channel search and the last found channel will be launched.
5. If you wish to erase the settings and all stored channels, select the function "Reset to factory setting FTA" and perform this function.

## Basic DVB-T menu

Press the **SETUP** or **MENU** button on the remote control to display the main DVB-T menu on the screen. The select an item using the **▼** button.

Installation
Auto search
Manual Search
System setup

## Auto Search

This function is the same as the menu in the first installation in the automatic channel search. Follow the instructions in this part of the user's manual.

## Manual Search

If not all channels are found during the automatic search, or if you wish to add new channels, then you can use this function to manually search for channels.

For the manual channel search function it is necessary to know the frequency and band width of the given channel. After entering the parameters press the **ENTER** button to start the manual search.

After being found the channel will automatically be added to the list of channels.

If the given channel is not found then a message will appear stating that the channel was not found.

# DVB-T reception

## System setup

### Language

Using the button ▼ select the **Language** item and using the ► button to enter the menu. Select the relevant language from the menu.

### Area

Using the button ▼ select the **Area** item and using the ► button to enter the menu. Select the respective country for the use of the device.

### Time Zone

Using the button ▼ select the **Time Zone** item and using the ► button to enter the menu. Select the time zone based on the country where the device is used.

### FTA Default Setting

Using the button ▼ select the **FTA Default Setting** item and using the ► button to enter the menu. You will be able to reset the device to the factory settings. After performing this function all located channels and all the settings you have made will be erased.

### List of favourites

In the DVB-T mode press the **ENTER** button to enter the list of channels. Then select a favourite channel and press the **RANDOM** button to add the channel to the list of favourites. Or press the **PROG** button to remove the channel from the list of favourites.

Press the **REPEAT/FAV** to enter the list of favourite channels.

# Troubleshooting

In the following table you will find the most common problems that you may come across when using the player. In this way you will be able to solve some problems yourself.

Nonetheless, if the problem persists, turn off the device, stop using it and contact an authorised service centre without delay.

If you find that the device is unusually hot or smoke is being emitted, turn the device off and disconnect it from the power supply

## DVD player

Problem	Possible cause	Remedy
The DVD player does not function.	The disc lid is not closed.	Close the disc lid.
	A disc is not inserted.	Insert a disc.
	The disc is inserted incorrectly.	Insert the disc correctly - label facing upwards.
	The disc is dirty or damaged.	Clean the disc or use a different disc.
	The regional code of the player does not correspond to the regional code of the disc.	Purchase a disc with the corresponding regional code.
	Moisture in the lens.	Take out the disc and turn off the player for at least 2 hours.
No sound.	The device is incorrectly connected.	Check the connection and connect the device correctly.
	The earphones are connected (this turns off the speaker).	Disconnect the earphones.
	The DVD player sound is setup incorrectly.	Check the sound settings and correctly set the DVD player sound.
	The disc is dirty or damaged.	Clean the disc or use a different disc.
Picture is missing.	The TV screen is turned off or an incorrect video mode was selected.	Turn on the screen or set the correct video mode.
	The device is incorrectly connected.	Check the connection and connect the device correctly.
Low picture quality or sound quality.	The disc is dirty or damaged.	Clean the disc or use a different disc.
Sections are played repeatedly.	Repeated playback mode was selected.	Cancel the repeated playback mode.
	The disc is dirty or damaged.	Clean the disc or use a different disc.
Remote control is not working.	There is a barrier between the DVD player and the remote control.	Remove the barrier.
	The remote control is not pointing at the DVD player.	Point the remote control at the DVD player
	The battery was inserted incorrectly.	Take it out and insert it correctly.
	The battery is flat.	Replace the battery.

# Troubleshooting

## DVB-T mode

- 1. The device does not function.**
  - Turn the device off and then on again.
- 2. Remote control is not working.**
  - Check that the battery is charged.
  - Point the remote control directly at the device.
  - Remove all barriers between the device and the remote control.
- 3. Sound and picture are missing.**
  - You have connected the device incorrectly.
  - Do not use an unauthorised power supply.
  - The product is turned off.
- 4. No picture.**
  - Check the antenna setting.
  - Check that you have selected a channel and a country.
  - It is necessary perform the program search again.
- 5. No sound.**
  - Check the volume setting.
  - Check whether the earphones are connected.
  - Check that you have not pressed the SPEAKER or MUTE button.
- 6. The picture has interference.**
  - Check that antenna is set correctly.
  - Weak signal, move the antenna.
- 7. No signal available**
  - Check that you have selected the country correctly.
  - Weak signal.
- 8. The picture is dark.**
  - Set the brightness and contrast correctly.
- 9. Picture or sound interference while driving.**
  - The signal at the current location is weak.

# Technical specifications

TV system	NTSC/PAL
Supported disc types	DVD, VCD, CD, MP3, CD-R, CD-RW, JPEG, DVD+/- R/W, MPEG4
Noise level	65 dB
Resolution	500
Frequency	96 kHz: 20 Hz – 20 kHz (+/- 1 db)
Audio	90 dB
Dynamic range	80 dB
Distortion	< 0.01 %
D/A converter	96 kHz/24 bits

Input frequency	VHF: 177.5 MHz – 226.5 MHz UHF: 474 MHz – 858 MHz
Display	Colour TFT - LCD
Screen size	7" (18 cm)
Video output	1 V p-p (75 Ω)
Audio output	2 CH
Power source	DC 12V
Power	≤ 12 W

## INSTRUCTIONS AND INFORMATION REGARDING THE DISPOSAL OF USED PACKAGING MATERIALS

Dispose of packaging material at a public waste disposal site.

## DISPOSAL OF USED ELECTRICAL AND ELECTRONIC APPLIANCES



The meaning of the symbol on the product, its accessory or packaging indicates that this product shall not be treated as household waste. Please, dispose of this product at your applicable collection point for the recycling of electrical & electronic equipment waste. Alternatively in some states of the European Union or other European states you may return your products to your local retailer when buying an equivalent new product. The correct disposal of this product will help save valuable natural resources and help in preventing the potential negative impact on the environment and human health, which could be caused as a result of improper liquidation of waste. Please ask your local authorities or the nearest waste collection centre for further details. The improper disposal of this type of waste may fall subject to national regulations for fines.

### For business entities in the European Union

If you wish to dispose of an electrical or electronic device, request the necessary information from your seller or supplier.

### Disposal in other countries outside the European Union

If you wish to dispose of this product, request the necessary information about the correct disposal method from local government departments or from your seller.



This product meets all the basic EU regulation requirements that relate to it.

Changes to the text, design and technical specifications may occur without prior notice and we reserve the right to make these changes.

