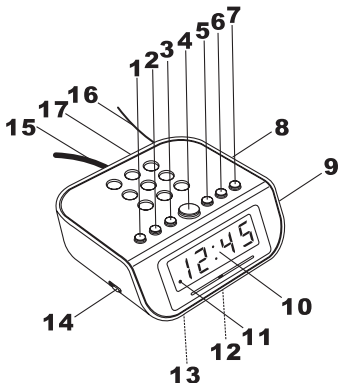


## INTRODUCTION

Please read through the operation manual carefully and thoroughly so that you will have a better understanding of the performance and features of this clock radio.



### LOCATION OF CONTROLS

1. ALARM OFF BUTTON
2. TIME SET BUTTON
3. ALARM SET BUTTON
4. SNOOZE BUTTON
5. HOUR SET BUTTON
6. MINUTE SET BUTTON
7. SLEEP BUTTON
8. VOLUME / BUZZER CONTROL
9. TUNING CONTROL
10. CLOCK DISPLAY
11. AUTO INDICATOR
12. RATING LABEL (BOTTOM OF UNIT)
13. BATTERY COMPARTMENT
14. ON / OFF / AUTO FUNCTION SWITCH
15. AC POWER CORD
16. FM ANTENNA WIRE
17. BAND SELECTION SWITCH

## **POWER CONNECTION**

Plug the AC POWER CORD to the household outlet. Make sure the voltage is correct for safety purpose and prevent plausible damages to the set.

Connect one 9 volt battery (not included) to the battery terminals in the BATTERY COMPARTMENT. It maintains the clock continue function whenever the AC power is interrupted.

Please note: The display will not exhibit time during power failure but the clock will keep correct time.

## **RADIO OPERATION**

1. Set the ON/OFF/AUTO FUNCTION SWITCH to "ON" position.
2. Set the BAND SELECTION SWITCH to desired waveband.
3. Tune to the desired station with TUNING CONTROL.
4. Adjust the volume level with VOLUME CONTROL.
5. To obtain better FM reception, lay out the FM ANTENNA WIRE to it's full extent.
6. The radio can be switched off by setting ON/OFF/AUTO FUNCTION SWITCH to the "OFF" position.

## **SETTING THE CLOCK TO THE TIME OF DAY**

1. Press the TIME SET BUTTON at the same time together with HOUR SET BUTTON for hour setting or MINUTE SET BUTTON for minute setting.

## **SETTING THE ALARM TIME**

1. Press the ALARM SET BUTTON at the same time together with HOUR SET BUTTON for hour setting or MINUTE SET BUTTON for minute setting.
2. Select the type of alarm (RADIO or BUZZER) and slide the ON/OFF/AUTO FUNCTION Switch to the AUTO position.

**RADIO:** Wake to radio. The radio must be tuned to a station which will be broadcasting at the alarm time and the volume adjusted to the desired level.

**ALARM:** To wake-up with Buzzer, slide volume control to minimum in BUZZ position.

## **INTERRUPTING THE ALARM ('SNOOZE' FUNCTION)**

The alarm can be interrupted for 9 minutes by pressing SNOOZE BUTTON after which time the radio or the alarm will come on again.

## **TO SHUT ALARM OFF**

To shut off the alarm, press the ALARM OFF button once and alarm time will be reset for the next day. Slide the ON/OFF/AUTO switch to the OFF position to turn off alarm and not set it for the next day.

## **SLEEP TIMER OPERATION**

1. This clock radio is equipped with a "sleep timer" function which will switch off the radio automatically after a preselected period from 59 to 01 minute.
2. Press SLEEP BUTTON, the display will show 0:59 sleep time. At the same time radio will come on and stay for 59 minutes.
3. To shorten the "sleep" time, press SLEEP BUTTON together with the MINUTE BUTTON until the desired "sleep" time is shown on display.
4. After preselected "Sleep" time has elapsed, the radio will switch off automatically. To switch it off before the preselected "Sleep" time has elapsed, press SNOOZE BUTTON.

## **SLEEP TO RADIO AND WAKE TO RADIO**

1. Set the desired alarm time as described in "SETTING THE ALARM TIME" and set ON/OFF/AUTO FUNCTION SWITCH to "AUTO" position.
2. Set Sleep time as described in SLEEP TIMER OPERATION.
3. The radio will switch off after the "sleep" time has elapsed and radio alarm will switch on next day.

## **SLEEP TO RADIO AND WAKE TO BUZZER**

Set as described in SLEEP TO RADIO AND WAKE TO RADIO. Set the ON/ OFF/ AUTO FUNCTION SWITCH to "AUTO" position. Slide the Volume control to minimum in BUZZ position.

## **WARNING**

1. No naked flame sources, such as lighted candles, should be placed on the apparatus.
2. Do not place the product in closed bookcases or racks without proper ventilation
3. Where the mains plug is used as the disconnect device, the disconnect device shall remain readily operable.
4. The ventilation should not be impeded by covering the ventilation openings with items, such as newspapers, table-cloths, curtains, etc;
5. It shall not be exposed to dripping or splashing and that no objects filled with liquids, such as vases, shall be placed on the apparatus.
6. Do not connect FM antenna to outside antenna.
7. The unit should not be exposed to direct sunlight, very high or low temperature, moisture, vibrations or placed in a dusty environment.
8. Do not use abrasive, benzene, thinner or other solvents to clean the surface of the unit. To clean, wipe it with mild non-abrasive detergent solution and clean soft cloth.
9. Never attempt to insert wires, pins or other such objects into the vents or opening of the unit.
10. Disconnect device warning: Main plug is used as the connection, so it should always remain ready operate.
11. Batteries shall not be exposed to excessive heat such as sunshine, fire or the like.

## **CAUTION**

Danger of explosion if battery is incorrectly replaced  
Replace only with the same or equivalent type

## **SPECIFICATIONS**

Frequency range: AM535-1605kHz  
FM88-108MHz  
Battery backup: 9V Battery (for clock)  
Power source: AC230V ~ 50Hz, 5 Watt  
Dimensions: 50 x 126 x 110mm  
Weight: 360g

## **INSTRUCTIONS AND INFORMATION REGARDING THE DISPOSAL OF USED PACKAGING MATERIALS**

Dispose of packaging material at a public waste disposal site.



## **DISPOSAL OF USED ELECTRICAL AND ELECTRONIC APPLIANCES**


The meaning of the symbol on the product, its accessory or packaging indicates that this product shall not be treated as household waste. Please, dispose of this product at your applicable collection point for the recycling of electrical & electronic equipment waste. Alternatively in some states of the European Union or other European states you may return your products to your local retailer when buying an equivalent new product. The correct disposal of this product will help save valuable natural resources and help in preventing the potential negative impact on the environment and human health, which could be caused as a result of improper liquidation of waste. Please ask your local authorities or the nearest waste collection centre for further details. The improper disposal of this type of waste may fall subject to national regulations for fines.

### **For business entities in the European Union**

If you wish to dispose of an electrical or electronic device, request the necessary information from your seller or supplier.

### **Disposal in other countries outside the European Union**

If you wish to dispose of this product, request the necessary information about the correct disposal method from local government departments or from your seller.

 This product meets all the basic EU regulation requirements that relate to it.