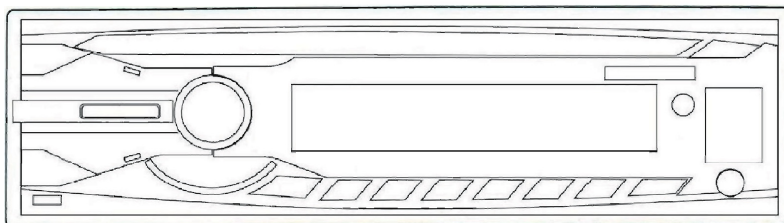


SENCOR®

SCT-3016MR

**INSTRUCTION MANUAL
NÁVOD K OBSLUZE
NÁVOD NA OBSLUHU
HASZNÁLATI ÚTMUTATÓ
INSTRUKCJA OBSŁUGI
РУКОВОДСТВО ПО ЭКСПЛУАТАЦИИ
NAUDOTOJO VADOVAS**



**CAR RADIO WITH A MULTIMEDIA PLAYER,
RDS AND RADIO**

**AUTORÁDIO S MULTIMEDIÁLNÍM PŘEHRÁVAČEM,
RDS A RADIOPŘIJÍMAČEM**

**AUTORÁDIO S MULTIMEDIÁLNYM PREHRÁVAČOM,
RDS A RÁDIOPRIJÍMAČOM**

**AUTORÁDIÓ MULTIMÉDIA LEJÁTSZÓVAL,
RDS-SZEL ÉS RÁDIÓVAL**

**RADIO SAMOCHODOWE Z MULTIMEDIALNYM ODTWARZACZEM,
RDS I ODBIORNIKIEM RADIOWYM**

**АВТОМАГНИТОЛА С МУЛЬТИМЕДИЙНЫМ ПЛЕЕРОМ,
RDS И РАДИО**

AUTOMAGNETOLA SU MULTIMEDIJOS LEISTUVU, RDS IR RADIJU

EN CZ SK HU PL RU LT

CONTENTS

Installation instructions	1
Installation	2
Electrical wiring connection	4
Description of the main unit.....	5
Remote control	6
Changing batteries	6
Basic controls	8
Radio	10
Controlling the RDS.....	12
USB / SD / MMC INPUT.....	14
Troubleshooting	16
Technical specifications	17
Instructions and Information about the handling of used packaging.....	18
Disposal of used electrical and electronic equipment.....	18

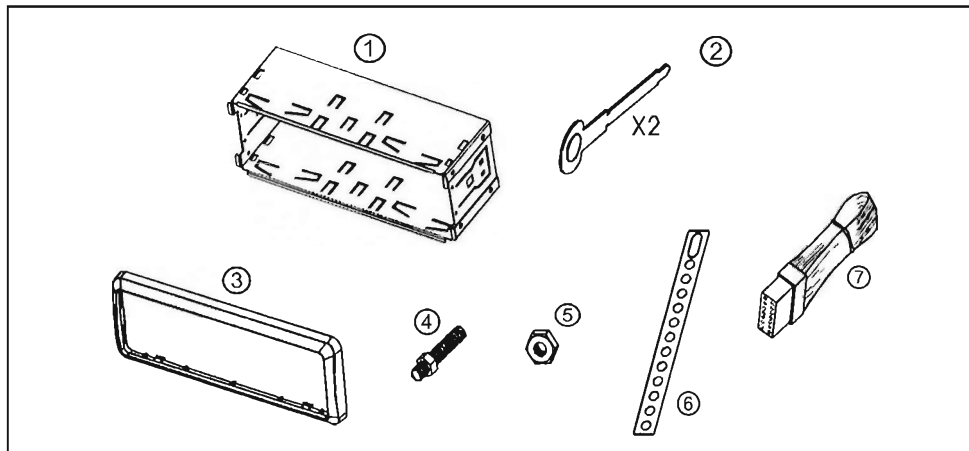
If you want to use this product correctly, carefully read this instruction manual and store it for future reference. If you give (sell) the device to somebody, please also include all the documentation together with this device, including this instruction manual.

INSTALLATION INSTRUCTIONS

- This device is designed to be powered by 12 V unidirectional voltage. Before installing the unit, check that your vehicle is powered with 12 V voltage with a grounded negative pole.
- The negative pole of the battery must be disconnected before the device is connected. This reduces the probability of damaging the device by an accidental shorting of the circuit.
- Check that the unit is correctly connected according to the coloured leads based on the wiring diagram. An incorrect wiring connection could cause the malfunction of the unit or damage to the vehicle's electrical system.
- Do not forget to connect the loudspeaker lead marked (-) to the (-) terminal. Never connect the left and right loudspeaker leads together or to the car body.
- Do not cover the ventilation openings on the unit. Blocking them will increase the temperatures inside the unit, which may damage it or cause a fire.
- This device can playback MP3 and WMA digital sound file formats.
- Do not attempt to repair the unit, modifications to the unit may cause a malfunction or damage the device.
- Stop the vehicle before performing anything that could interfere with driving.
- Do not turn on the device in extremely high or low temperatures. The normal operating temperature is between -20 and +60 degrees Celsius.

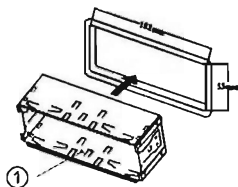
INSTALLATION

The following accessories are included with the device.



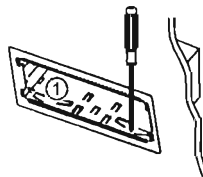
Installation procedure A

1



Insert the installation case into the dashboard.

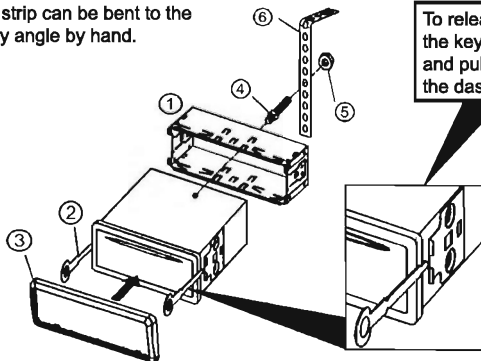
2



For safe installation bend the flaps inside into the dashboard.

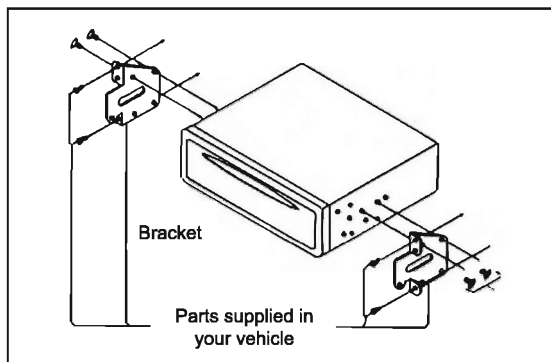
3

If necessary use a metal strip to secure the rear side of the unit. The strip can be bent to the necessary angle by hand.



To release the unit insert the keys on both sides and pull out the unit from the dashboard.

Installation procedure B

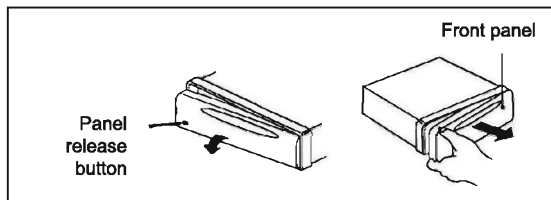


This installation method is used for most car models. The actual installation method should depend on the car model and the supplied parts.

Note:

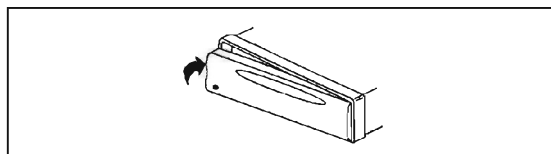
- Store small items in a location that is not accessible to children.
- Use only the supplied bolts for the installation.
- The installation method is modified depending on the car model and the supplied parts. You should have the unit installed by a qualified technician.

Detaching the front panel



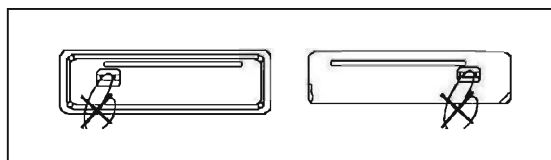
Before detaching the front panel, check that the unit is turned off. Press the release button on the panel and pull it out.

Attaching the front panel



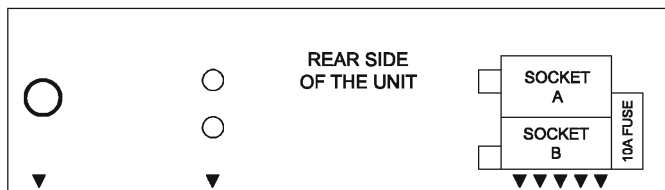
First insert the right side of the panel into the main unit. Then press down the left side of the panel into the main unit until it is secured in place.

Warning



Do not touch the connector on the front panel of the main unit as this could result in a poor electrical contact. Only wipe the connectors using a clean and dry wiping cloth. After detaching the front panel from the main unit, store it in a protective case.

ELECTRONIC CONNECTION



**ANTENNA
INPUT
CONNECTOR**

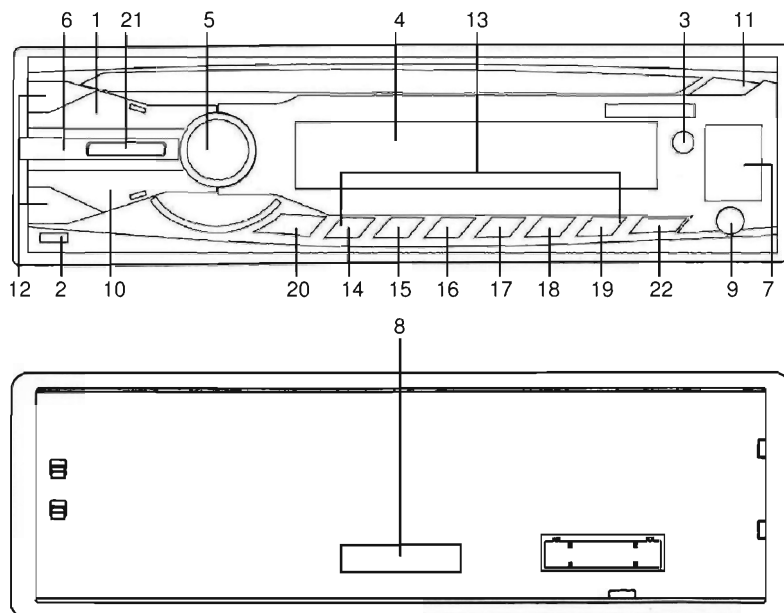
RCA LOUDSPEAKER OUTPUT
 WHITE: LEFT LOUDSPEAKER
 RED: RIGHT LOUDSPEAKER

PLUG B (INSERT INTO SOCKET (B))
 - RED: POWER SUPPLY LINE (B+)
 - BLACK: GROUND (B-)
 - YELLOW: BACKUP MEMORY (B+)
 - BLUE: CAR ANTENNA

PLUG A (INSERT INTO SOCKET (A))

- WHITE: FRONT LEFT LOUDSPEAKER (+)
- WHITE / BLACK: FRONT LEFT LOUDSPEAKER (-)
- GREEN: REAR LEFT LOUDSPEAKER (+)
- GREEN / BLACK: REAR LEFT LOUDSPEAKER (-)
- GREY: FRONT RIGHT LOUDSPEAKER (+)
- GREY / BLACK: FRONT RIGHT LOUDSPEAKER (-)
- VIOLET: REAR RIGHT LOUDSPEAKER (+)
- VIOLET / BLACK: REAR RIGHT LOUDSPEAKER (-)

DESCRIPTION OF THE MAIN UNIT

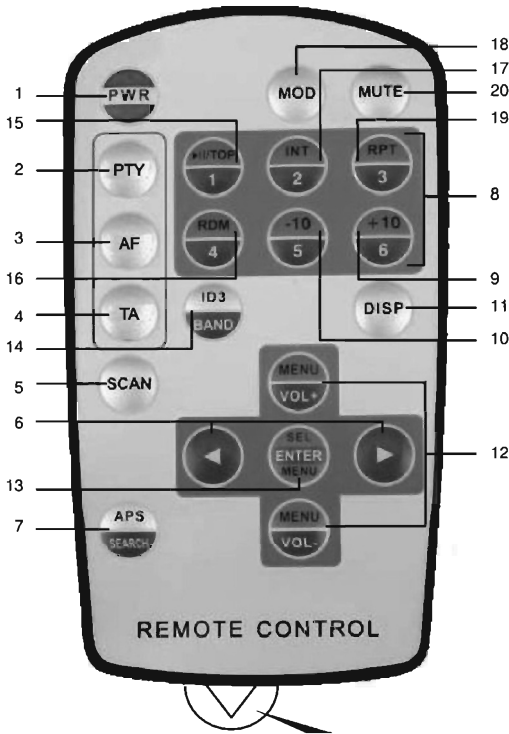


- | | |
|--|---|
| 1. ON/OFF button $\text{\textcircled{I}}$ / Mode selector (MOD) | 12. +>>> / <<<- - Tuning / Controlling the track |
| 2. Button \texttriangle for detaching the panel (disconnecting the panel) | 13. Preset station buttons (1-6) |
| 3. Remote control sensor (IR) | 14. Playback & Pause (PAU) |
| 4. LCD display | 15. Playback introduction (INT) |
| 5. Audio control / Function selection dial | 16. Repeat (RPT) |
| 6. Mute (MUTE) | 17. Random playback (RDM) |
| 7. USB cover / USB slot | 18. Tracks downwards (-10) |
| 8. SD / MMC card slot | 19. Tracks upwards (+10) |
| 9. AUX input jack (AUX) | 20. TA On / Off (TA) |
| 10. Broadcast band / MP3 ID3 selector (BND) | 21. Save memory automatically / Seek (APS) |
| 11. AF On / Off Control (AF) | 22. Time display & settings (DISP) |

Note:

The display and symbols shown on the provided illustration may differ from the actual main unit.

REMOTE CONTROL



1. Power On/Off
2. PTY control
3. AF control / regional mode
4. TA control / local (LO) / distant (DX) control
5. Scanning of stations
6. Tuning / Selecting tracks
7. Automatic saving to memory / Searching for music
8. Preset station buttons
9. Track selection upwards
10. Track selection downwards
11. Time display, settings
12. Volume control and control of functions
13. Audio control / selector of functions
14. Broadcasting frequency band / MP3 ID3 selector
15. Playback / Pause
16. Random search
17. Initial track playback
18. Mode selector & Pause controls
19. Repeated playback
20. Mute

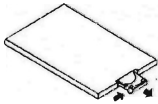
Remove the protective film before use.

Note:

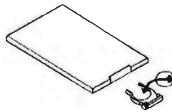
The pictures and symbols on the picture of the remote control shown above are used for various versions of the unit and some buttons are not valid for operation. Follow the exact functions found on the device.

REPLACING BATTERIES

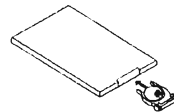
If the range of the remote control is reduced or the device does not respond to any functions during operation, replace the battery with a new one. Ensure that you maintain the correct polarity when inserting the battery into the remote control. Please see the provided procedure below for replacing the battery.



Slide out the battery holder according to the illustration



Insert a battery into the holder with the polarity (+) facing upwards





Slide in the battery holder into the remote control

Remote control and batteries

- Do not expose the remote control or the batteries to direct sunlight or sources of heat, such as heaters, heat exchangers, stoves or other appliances (including amplifiers) that produce heat. Do not use or leave the device in the vicinity of an open fire.
- Neither the remote control nor the batteries may be exposed to dripping or running water and objects filled with water must not be placed on them, e.g. vases. Protect against exposure to rain, spraying or pouring of any kind of liquid. Do not use outdoors. Not following these instructions creates a danger of damage to the remote control or the battery.
- Do not use this device near water.
- It is necessary to pay attention to the environmental impact aspects of battery disposal.
- The incorrect use of batteries may cause the leakage of the electrolyte and corrosion. To ensure that the remote control works correctly, proceed according to the instructions below:
 - Do not insert the batteries in the wrong direction.
 - Do not charge, heat, open or short circuit the batteries.
 - Do not throw batteries into a fire.
 - Do not leave discharged batteries in the remote control.
 - Do not combine various types of batteries or new and old batteries.
 - If you will not be using the remote control for a longer period of time, remove the batteries to prevent potential damage caused by a subsequent battery leakage.
 - If the remote control is not working correctly or its operational range is reduced, change all batteries for new ones.
 - If electrolyte leaks out from the batteries, have the remote control cleaned at an authorised service centre.

BASIC OPERATION

ON / OFF (turn On / Off)

To turn on the device press the  button on the main unit or the **PWR** button on the remote control. To turn off the device press and hold the  button on the main unit or the **PWR** button on the remote control for two seconds. The unit can also be turned on by pressing any button on the remote control. When the unit is turned off all the set values will remain saved in memory.

Selecting a mode

Press the **MOD** button on the main unit or on the remote control to select a desired mode, USB input, SD / MMC card input, AUX input.

Setting the volume and audio

Turn the **audio control dial** on the main unit or repeatedly press the **VOL + / VOL -** buttons to set the volume level. Repeatedly press the **function selection dial** on the main unit or press the **SEL** button on the remote control to move to the following modes.

- **Bass (BAS)**
In the bass mode turn the **function selection dial** on the main unit or repeatedly press the **VOL + / VOL -** button to select the output bass level.
- **Treble (TRE)**
In the treble mode turn the **function selection dial** on the main unit or repeatedly press the **VOL + / VOL -** button to select the output treble level.
- **Balance (BAL)**
In the balance mode turn the **function selection dial** on the main unit or repeatedly press the **VOL + / VOL -** button to select the output audio levels between the left and right loudspeakers.
- **Fader (FAD)**
In the fader control mode turn the **function selection dial** on the main unit or repeatedly press the **VOL + / VOL -** button to select the output audio levels between the front and rear loudspeakers.
- **Loudness (LOUD ON / OFF)**
In the loudness control mode turn the **function selection dial** on the main unit or repeatedly press the **VOL + / VOL -** button to turn the output volume control on or off.
- **Equaliser settings (Classic / Pop / Rock / DSP OFF)**
In the preset equaliser settings mode turn the **function selection dial** on the main unit or repeatedly press the **VOL + / VOL -** button to set the desired mode: CLASSIC – POP - ROCK - DSP OFF.
Note: The bass and treble levels are set to the default level when the preset equaliser is activated.
- **Local / Distant selector (Operation only in FM radio mode)**
See - main unit or remote control – radio operation details.
- **Stereo / Mono selector (Operation only in FM radio mode)**
See - main unit or remote control – radio operation details.
- **Volume (VOL)**
In the volume control mode turn the **function selection dial** on the main unit or repeatedly press the **VOL + / VOL -** button to select the output audio level.

Mute

Press the **MUTE** button on the main unit or on the remote control to mute the audio. The word "MUTE" will appear on the LCD display. Press the button again to resume at the previously set volume level.

USB cover / USB slot

Open the USB cover and insert a USB device into the USB slot to playback MP3/WMA audio files. When a USB device is not inserted inside the USB slot, close the USB cover to prevent dust and dirt from entering into the device.

SD / MMC card slot

Insert an SD or MMC card into the SD / MMC slot to playback audio files in the MP3/WMA file format.

Note:

Ensure that you insert the USB device / SD/MMC card in the correct direction. Do not use force to insert the USB device / SD/MMC card into the slot. Otherwise you could damage the USB device / SD/MMC card and the device.

AUX output

Connect an external device into the AUX connector to playback audio using the unit.

LCD display

The LCD display shows the operating status of the unit.

Time display and settings

While the unit is running press the **DISP** button to display the clock. Press again or after 5 seconds the display will return to the previous state.

a) Setting the clock using the main unit

In the clock mode press and hold the **DISP** button until the hour digits start to flash. Use the selection dial to set the hour and confirm the setting by pressing the selection dial button. Then the status will change to the minute setting. Use the selection dial to set the minutes and the setup is complete. Press the **DISP** button to confirm.

b) Setting the clock using the remote control

In the clock mode press the **DISP** button until the hour digits start to flash. Press the **VOL + / VOL -** button to set the hours and confirm by pressing the **ENTER** key. Press the **VOL + / VOL -** button to set the minutes and confirm the setting by pressing the **ENTER** key. After the settings are complete, press the **DISP** button to return to the normal clock display.

Remote control sensor

The main unit can be controlled using a remote control. Point the remote control at the IR remote control sensor and press a button.

Detaching the front panel

Press the button for detaching the detachable front panel from the main unit as prevention against theft.

Function selection dial

Press and hold the **function selection dial** on the main unit or the **SEL** button on the remote control for 2 seconds to activate the function for controlling various modes. Repeatedly press the **function selection dial** on the main unit or the **SEL** button on the remote control to activate the following control modes.

AF ON and AF OFF

See main unit - RDS operating details.

TA ON and TA OFF

See main unit - RDS operating details.

See remote control - RDS operating details.

PTY selection (Music / Speech / PTY Off)

See main unit - RDS operating details.

Frequency range – selection

See main unit - radio operating details.

See remote control - radio operating details.

Note: The frequency range selection is only available in the radio mode.

Warning and search

See main unit - RDS operating details.

Audio control and mute

See main unit - RDS operating details.

See remote control - RDS operating details.

Return L and return S

See main unit - RDS operating details.

See remote control - RDS operating details.

Sound signal

Turn the function selection dial on the main unit or press the **VOL + / VOL -** button to turn beeping on or off.

RADIO

Selecting a broadcast band

Repeatedly press the **BND** button on the main unit or on the remote control to select the desired broadcast band in the following order: > FM1> FM2> FM3> AM (MW) 1> AM (MW) 2>.

Frequency range

In the radio mode press and hold the **function selection dial** on the main unit or the **SEL** button on the remote control for 2 seconds to activate the various control modes. When a frequency range is achieved, select using the **function selection dial** on the main unit or using the **VOL + / VOL -** buttons on the remote control the following frequency ranges:

AREA EUR (European coverage): FM 87.5 MHz - 108 MHz AM 522 - 1620 KHz

AREA USA (American coverage): FM 87.5 MHz - 107.9 MHz AM 530 - 1710 KHz

Automatic saving to memory

In the radio mode and when the TA, AF & PTY functions are off, press **APS** on the main unit or on the remote control for 2 seconds.

The radio scans for the current available frequencies and check signal strength until tuning is complete. The stations with the strongest signals are then stored under the corresponding preset digits 1 - 6. Press **APS** again to stop this function.

Automatic preset station scanning

In the radio mode, press **APS** on the main unit or on the remote control. All preset stations stored in memory will be scanned and the radio will pause for a few seconds at each station. Press the preset button no. 1 - 6 for 2 seconds to store the station. Press **APS** again to stop this function.

Automatic scanning up / down

a) Using the main unit

In the radio mode press the **+>>> / <<<-** buttons - to automatically scan stations upwards / downwards. Press the preset buttons no. 1 - 6 for two seconds to store the station under the respective preset number.

b) Using the remote control

In the radio mode press the **< / >** buttons to automatically scan for a frequency upwards or downwards, for the reception of the next station with a strong signal. Press the preset buttons no. 1 - 6 for 2 seconds to store the station under the respective preset number.

Manual tuning upwards / downwards

a) Using the main unit

In the radio mode press the **+>>> / <<<-** for two seconds to activate manual tuning. The word "MANUAL" will appear on the LCD display for a short time. In the manual mode repeatedly press the **+>>> / <<<-** button to tune a frequency upwards or downwards to the desired frequency. When the reception of a desired station is achieved it can be stored under the desired preset number 1 - 6 by pressing the respective button for 2 seconds. When the manual tuning mode is not active for 5 seconds, the automatic scanning mode will be set and the word "AUTO" will appear on the LCD display for a short time.

b) Using the remote control

In the radio mode press the **< / >** buttons and within 2 seconds the manual tuning mode will be activated and the word "MANUAL" will appear on the LCD display for a short time. In this manual tuning mode repeatedly press the **< / >** buttons to tune the frequency upwards or downwards. When the reception of a station is achieved it can be stored under the desired preset number 1 - 6 by pressing the respective button for 2 seconds. When the selected mode is not active for 5 seconds, the device will switch to the automatic mode and the word "AUTO" will appear on the LCD display for a short time.

Memory presets

In the radio mode press one of the preset numbers 1 - 6 to select a station that was stored in memory. Press one of the preset numbers 1 - 6 for 2 seconds to store the station that is currently being played in memory. This device can store up to 30 stations (FM1 x 6, FM2 x 6, FM3 x 6, AM1 x 6, AM2 x 6).

Automatic scanning (only with the remote control)

In the radio mode press **SCAN** to start scanning radio stations. When a station is found, scanning stops for 5 seconds. By pressing the preset buttons 1 - 6 for 2 seconds it is possible to store the scanned station under the desired memory number. Press the **SCAN** button to stop scanning.

Local / distant control

In the FM radio mode press the **function selection dial** on the main unit or repeatedly press the **SEL** button on the remote control until the local (LOCAL) or the distant (DX) mode is reached. When selecting the local / distant mode use the **function selection dial** on the main unit or the **VOL + / VOL -** buttons to select radio reception for a local (LOCAL) setting (reception of strong radio station signals) or a distant (DX) setting (for the reception of weak radio station signals).

Mono / Stereo

In the FM radio mode press the **function selection dial** on the main unit or **REPEATEDLY** press the **SEL** button on the remote control until the stereo (STEREO) or the mono (MONO) mode is reached. Use the **function selection dial** on the main unit or the **VOL + VOL -** buttons to select radio reception in the mono (MONO) setting or in the stereo (STEREO) setting. When the radio is receiving a stereophonic signal, a stereo indicator appears on the LCD display. No indicator is shown for mono reception.

CONTROLLING THE RDS

Overview of the RDS functions

The Radio Data System (RDS) is a service, which makes it possible for FM stations to broadcast other digital information together with the standard program signal. Some of them are listed below.

PI (Program identification)

This is a code that identifies the RDS station.

PS (Name of the service program)

The name of the current broadcasting station is shown on the display.

AF (Alternative frequency)

List(s) of alternative frequencies providing information about various transmitters broadcasting the same program in the same or neighbouring area. If the broadcasting quality on the main frequency worsens, the radio will automatically tune in to the strongest alternative frequency.

TP (Traffic program)

Broadcasting of identification information about traffic information.

TA (Traffic information)

Identification information whether traffic information is being broadcast or not.

PTY (Program coding type)

This code is used to designate the current program material. This function is used to search for programs corresponding to the selected program type, which is selected from a specific list of types, such as news, easy music, sport, etc.

EON

This is an additional service enabling the radio to gain information not only from the current station but also from others.

Setting up the RDS mode

In the FM radio mode press the **AF** button on the main unit or on the remote control to turn on or off RDS operation. Whenever RDS is turned on (AF ON), the name of the program will be displayed on the LCD display under the condition that the RDS station is being received. «ALARM» will be displayed during an emergency broadcast. When the volume control is set to minimum, the audio output level will automatically adjust to the set level.

Regional program

In the FM radio mode press the **AF** button on the main unit or on the remote control for 2 seconds to turn the region selection mode on or off. During a certain time some broadcasting stations may change their program from a standard program to a regional program. If the regional mode is turned off, the region identification in the PI code is ignored. The radio can switch broadcasting into a local version of the current program. When the regional broadcasting mode is turned on, the radio will only switch to a program bearing the same PI code.

Regional mode - turned on

AF or PI SEEK switching only works on a station that has all its PI codes the same as the current station.

Regional mode - turned off

The regional code in the PI format code is ignored when switching AF or when PI SEEK is activated.

Note:

When the AF switch is turned on, the **+>>> / <<<-** buttons on the main unit or the **< / >** buttons on the remote control are used to scan only for stations that broadcast using RDS.

PTY program – selection

a) Using the main unit

In the FM radio mode press and hold the **function selection dial** for 2 seconds until the control mode of the desired function is activated. Hold down the **function selection dial** for a long time to display the PTY modes: **PTY Music Group** (music) / **PTY Speech Group** (speech) / **PTY Off** (PTY off). This function is implemented with preset station settings by pressing buttons no. 1 - 6. After selecting PTY MUSIC / PTY Speech, the radio will start to scan for corresponding PTY information and will stop if it detects this corresponding information. If the corresponding PTY information does not exist, the PTY mode will automatically switch back to normal mode.

b) Using the remote control

Every time PTY is pressed, the PTY mode will change in the following order: **> PTY Music Group> PTY Speech Group> PTY Off>**. When a desired PTY group is selected, repeatedly press the 1 - 6 number buttons to select a station. The radio will start to scan for the corresponding PTY information and will stop if it detects the corresponding PTY information. If the corresponding PTY information does not exist, the PTY function will automatically switch back to normal mode.

Traffic announcements

Press the **TA** button on the main menu or on the remote control for a short time to turn the TA function on or off. If the TA mode is turned on and the traffic announcement is broadcast:

- when the device is switched to the USB / SD / MMC input or AUX input mode, it will temporarily switch to the radio mode and when switched to an EON connected station,
- in the event that the volume is below the volume level of the traffic announcement its limit point will increase during the reception of the TP (Traffic Program) of the station, the TP of the segment is shown on the display.

Press the **TA** button on the main unit or on the remote control for 2 seconds to activate the selection of the **EON TA LOCAL** (EON LOC) mode or the **EON DISTANT** (EON DX) mode. The purpose of this key is to reduce undesirable EON TA switching between EON TA information, which is received from the current station and EON connected stations, where no information is received due an excessively large distance. The switching becomes evident by listening to an unwanted program or frequent reduction of volume.

EON TA Local mode

When the intensity of the EON field is lower than the threshold level, the radio will not tune to this station. When the **EON TA LOCAL** mode is selected, "EON LO" is shown for a few seconds.

EON TA Distant mode

The EON TA switching is performed on the basis of information from the current station. When the **EON TA** mode is selected, "EON DX" is shown for a few seconds.

Note:

When TA is turned on, the **+>>> / <<<-** buttons on the main unit or the **< / >** buttons on the remote control are used to scan for only stations that broadcast using TA.

Programmable controls

Press and hold down the **function selection dial** on the main unit or the **SEL** button on the remote control for 2 seconds when the control is activated for various functions. If controls are activated, repeatedly press the function selection dial on the main unit or repeatedly press the **SEL** button on the remote control to activate the following programmable RDS controls and turn the dial to select the desired operating mode.

AF ON and OFF – only using the main unit

If you wish to turn the RDS function on or off (see RDS MODE SETTINGS).

TA ON and OFF – only using the main unit

If you wish to turn TA on or off (see TRAFFIC SITUATION ANNOUNCEMENTS).

PTY ON and OFF (PTY OFF / Music / Speech) – only using the main unit

Select PTY mode (see details about the PTY selection program).

TA seek / TA alarm

Setting the radio steps, if the newly turned station does not receive TP information for 5 seconds.

TA SEEK: the radio will tune to a different station containing information about TP.

TA ALARM: the radio will not tune elsewhere, but beeps are made.

PI mute / PI sound

When travelling through an area where two stations have the same AF but a different received PI code at the same time the receiver will be unstable. In such a situation two modes may be selected.

PI SOUND: various PI sounds will be heard for a while.

PI MUTE: the radio will go mute for a while.

Tuning L / Tuning S

This is the selection of the starting time of automatic TA scanning or PI scanning. When PI information is not received at the time of tuning, the radio will start tuning to a different PI station. When even here no PI information is found, the radio will return to the last station and wait several minutes until a PI code is received.

TUNING L: 90 seconds

TUNING S: 30 seconds

Selecting a frequency range – only using the remote control

See remote control - radio operating details. (Available only in the radio mode)

Important note

The RDS function only works in countries or areas that have RDS broadcasting. Not all countries or areas have broadcasting with full RDS functionality. RDS may not work correctly if the signal is weak or in the event that the tuned station are not broadcasting RDS data. The reception of RDS will be significantly affected by geographical conditions.

USB / SD / MMC INPUT

USB slot

Insert a USB device into the USB slot to playback MP3/WMA audio files. After inserting a device into the USB slot playback will commence automatically.

SD / MMC port

Insert an SD or MMC card into the SD / MMC port to playback MP3/WMA audio files. The device will automatically start playback when the card is inserted into the port.

Note:

Ensure that you insert the USB device / SD/MMC card in the correct direction. Do not use force to insert the USB device / SD/MMC card into the slot. Otherwise you could damage the USB device / SD/MMC card and the device.

Selecting a mode

Repeatedly press the **MODE** button on the remote control to select the USB mode or the SD / MMC mode for USB / SD / MMC operation.

Playback / pause

In the USB / SD / MMC playback mode press the **PAU** button on the main unit or the **▶||** on the remote control to pause playback and the message "PAUSE" will appear on the LCD display. Press the button again to resume normal playback.

Fast forward / fast rewind

In the USB / SD / MMC device playback mode press and hold down the **+▶▶|** / **||◀◀-** buttons on the main unit or the **◀ / ▶** buttons on the remote control to fast forward / rewind. When the button is released the device will resume normal playback.

Selecting tracks

a) Using the main unit

In the USB / SD / MMC device playback mode repeatedly press the **+▶▶|** / **||◀◀-** buttons to select a track for playback. Press the **-10** / **+10** buttons to select 10 tracks at once (upwards or downwards) with the objective of selecting the desired track.

In the USB / SD / MMC device playback mode press **APS** to go to the search mode. In this mode turn the function selection dial until you reach the desired track and press the function selection dial to confirm playback of the selected track.

b) Using the remote control

In the USB / SD / MMC playback mode press the **◀ / ▶** buttons to select a track upwards or downwards. In the USB / SD / MMC playback mode press the button with the number **+10/-10** to load all 10 tracks downwards or upwards for the purpose of selecting desired tracks for playback. Press the **SEARCH** button to search directly. In this mode press the **VOL + / VOL -** button to select tracks and confirm the setting by pressing **ENTER**.

Overview of all tracks

In the USB / SD / MMC device playback mode press the **INT** button on the main unit or on the remote control to playback the first 10 seconds of every track. After pressing the **INT** button the function will appear on the LCD display. Repeatedly press the **INT** button on the main unit or on the remote control and playback will continue in the following order.

Repeated playback

In the USB / SD / MMC device playback mode press the **RPT** button on the main unit or on the remote control to repeatedly playback the same track. In the playback mode the **RPT** function will appear on the LCD display. Press again to stop repeated playback.

Playback in random order

In the USB / SD / MMC device playback mode press the **RDM** button on the main unit or on the remote control to playback the tracks on the device in random order. The function "RDM" will appear on the LCD display. Press again to resume normal playback of the current track.

Display of MP3 ID3

In the MP3 device playback mode, repeatedly press **BND** on the main unit or use the **ID3** button to display ID3 tags of the audio files on the LCD display. Audio files contain directory, album, title, artist and music.

Note:

It depends on the selected music files, displayed ID3 tags will vary or will not be available.

TROUBLESHOOTING

The device is not working.

- Check that all connections are connected correctly.
- Check for a burned fuse.

No audio

- Check that the loudspeakers are connected correctly.

The device has "frozen".

- Turn off the device and restart it or disconnect it from the power supply and reconnect it.

The device does not respond when buttons are pressed.

- Turn off the device and restart it or disconnect it from the power supply and reconnect it.

Weak reception or unavailable radio signal

- Check whether the antenna is connected.
- The antenna is not long enough. Extend the length of the antenna.
- The antenna is not thoroughly grounded. Thoroughly ground the antenna.

No stereo signal reception

- Tune exactly to the required frequency.
- The signal is too weak, set to the MONO mode.

Remote control is not working.

- Replace the battery in the remote control.
- Point the remote control at the remote control sensor on the main unit.
- Clean the surface of the sensor.

Note:

If you have performed all the above mentioned steps and the device still does not work, please contact your vendor. Never attempt to uninstall the device yourself.

TECHNICAL SPECIFICATIONS

GENERAL

Power supply requirements	DC 12 V, negative grounded
Impedance.....	4 Ohm
Maximum power output	40 W x 4 channels
Control of bass (at 100 Hz).....	+ / -8 DB
treble (at 10 kHz).....	+ / -8 DB
Chassis dimensions	178 (w) x 115 (d) x 50 (h) mm
Net weight.....	approximately 0.8 kg

AUDIO

Maximum output level.....	2 Vrms (+ / -3 dB)
Frequency range	20 Hz to 20 kHz
Noise to signal ratio	85 dB
Channel separation	80 dB

FM RADIO

Frequency range	87.5 - 108 MHz (Europe) 87.5 - 107.9 MHz (America) 10.7 MHz
Effective sensitivity (-20 dB)	15 dB
Noise to signal ratio	60 dB
Stereo separation (at 1 kHz)	30 dB
Frequency range	30 Hz to 15 kHz

AM RADIO

Frequency range	522 - 1620 kHz (Europe) 530 - 1710 kHz (America) 450 KHz
Effective sensitivity (-20 dB)	25 dB

INSTRUCTIONS AND INFORMATION REGARDING THE DISPOSAL OF USED PACKAGING MATERIALS

Dispose of packaging material at a public waste disposal site.

DISPOSAL OF USED ELECTRICAL AND ELECTRONIC APPLIANCES



The meaning of the symbol on the product, its accessory or packaging indicates that this product shall not be treated as household waste. Please, dispose of this product at your applicable collection point for the recycling of electrical & electronic equipment waste. Alternatively in some states of the European Union or other European states you may return your products to your local retailer when buying an equivalent new product. The correct disposal of this product will help save valuable natural resources and help in preventing the potential negative impact on the environment and human health, which could be caused as a result of improper liquidation of waste. Please ask your local authorities or the nearest waste collection centre for further details. The improper disposal of this type of waste may fall subject to national regulations for fines.

For business entities in the European Union

If you wish to dispose of an electrical or electronic device, request the necessary information from your seller or supplier.

Disposal in other countries outside the European Union

If you wish to dispose of this product, request the necessary information about the correct disposal method from local government departments or from your seller.



This product meets all the basic EU regulation requirements that relate to it.

Changes to the text, design and technical specifications may occur without prior notice and we reserve the right to make these changes.