

SENCOR®

SPT 1400



USER MANUAL

PORTABLE STEREO CD PLAYER WITH AM/FM RADIO

EN

WARNING

WARNING: Changes or modifications to this unit not expressly approved by the party responsible for compliance could void the user's authority to operate the equipment.

Note: This equipment has been tested and found to comply with the limits for a Class B digital device, pursuant to Part 15 of the FCC Rules.

These limits are designed to provide reasonable protection against harmful interference in a residential installation. This equipment generates, uses and can radiate radio frequency energy and, if not installed and used in accordance with the instructions, may cause harmful interference to radio communications. However, there is no guarantee that interference will not occur in a particular installation. If this equipment does cause harmful interference to radio or television reception, which can be determined by turning the equipment off and on, the user is encouraged to try to correct the interference by one or more of the following measures:

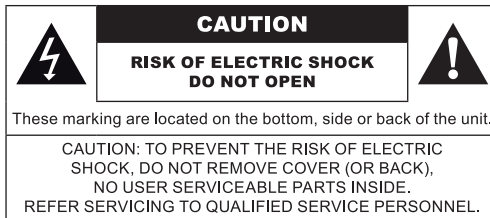
- Reorient or relocate the receiving antenna.
- Increase the separation between the equipment and receiver.
- Connect the equipment into an outlet on a circuit different from that to which the receiver is connected.
- Consult the dealer or an experienced radio/TV technician for help.

"This equipment complies with FCC RF radiation exposure limits set forth for an uncontrolled environment.

This equipment should be installed and operated with a minimum distance of 20 centimeters between the radiator and your body."

IMPORTANT SAFEGUARDS

WARNING: TO PREVENT FIRE OR SHOCK HAZARD, DO NOT EXPOSE THIS APPLIANCE TO RAIN OR MOISTURE



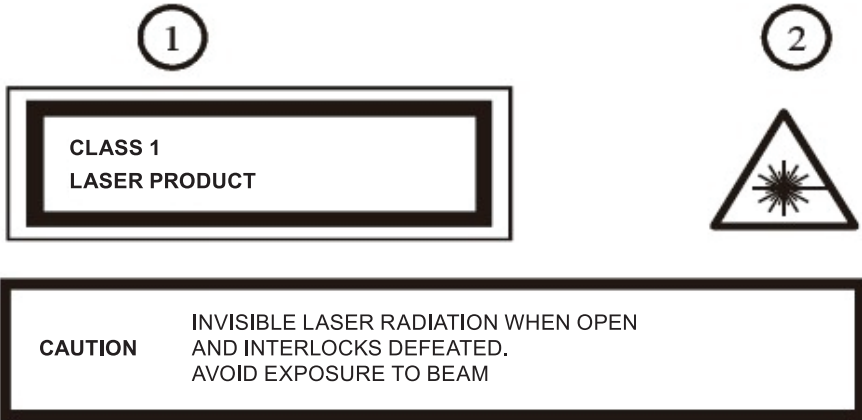
The lightning flash with arrowhead symbol, within an equilateral triangle, is intended to alert the user to the presence of uninsulated "dangerous voltage" within the product's enclosure that may be of sufficient magnitude to constitute a risk of electric shock to persons.



The exclamation point within an equilateral triangle, is intended to alert the user to the presence of important operating and maintenance (servicing) instructions in the literature accompanying the appliance.

The following label has been affixed to the unit, listing the proper procedure for working with the laser beam.

1. THIS LABEL IS ATTACHED TO THE PLACE AS ILLUSTRATED TO INFORM THAT THE APPARATUS CONTAINS A LASER COMPONENT.
2. THE WARNING LABEL INFORMING OF RADIATION IS PLACED INSIDE THE UNIT. AS SHOWN IN THE ILLUSTRATION, TO WARN AGAINST FURTHER MEASURES ON THE UNIT. THE EQUIPMENT CONTAINS A LASER RADIATING LASER RAYS EXCEEDING THE LIMIT OF LASER PRODUCT OF CLASS 1.



This equipment is a Class II or double insulated electrical appliance. It has been designed in such a way that it does not require a safety connection to electrical earth.

SAFETY INSTRUCTIONS

- 1, READ INSTRUCTIONS – All the safety and operating instructions should be read before the appliance is operated.
- 2, RETAIN INSTRUCTIONS – The safety and operating instruction should be retained for future reference.
- 3, HEED WARNINGS – All warnings on the appliance and in the operating instructions should be adhered to.
- 4, FOLLOW INSTRUCTIONS – All operating and use instructions should be followed.
- 5, WATER AND MOISTURE –
To reduce the risk of fire or electric shock, do not expose this apparatus to rain or moisture. The apparatus shall not be exposed to dripping or splashing and that objects filled with liquids, such as vases, shall not be placed on apparatus.
- 6, VENTILATION – The appliance should be situated so that its location or position does not interfere with its proper ventilation. For example, the appliance should not be situated on a bed, sofa, rug or similar surface that may block the ventilation openings; placed in a built-in installation, such as a bookcase or cabinet that may impede the flow of air through the ventilation openings
WARNING: Please refer the information on exterior bottom enclosure for electrical and safety information before installing or operating the apparatus.
- 7, HEAT – The appliance should be situated away from heat sources such as radiators, stoves, or other appliances (including amplifiers) that produce heat.
- 8, POWER SOURCE – The appliance should be connected to a power supply only of the type described in the operating instructions or as marked on the appliance.
- 9, POWER CORD PROTECTION – Power supply cords should be routed so that they are not likely to be walked on or pinched by items placed upon or against them, paying particular attention to cords at plugs, convenience receptacles and the point at which they exit from the appliance.
- 10, POWER LINES – An out door antenna should be located away from power lines.
- 11, NON-USE PERIODS – The power cord of the appliance should be unplugged from the outlet when the appliance is to be left un-used for a long period of time.
- 12, OBJECT and LIQUID ENTRY – Care should be taken so that objects do not fall and liquids are not spilled into the enclosure through openings.
- 13, DAMAGE REQUIRING SERVICE – The appliance should be serviced by qualified service personnel when:
 - A. The power – supply cord or plug has been damaged.
 - B. Objects have fallen into, or liquid has been spilled into the appliance enclosure.
 - C. The appliance has been exposed to rain.
 - D. The appliance has been dropped, or the enclosure damaged.
 - E. The appliance does not appear to operate normally or exhibits a marked change in performance.
- 14, SERVICING – The user should not attempt to service the appliance beyond that described in the user's operating instructions. All other servicing should be referred to qualified service personnel.

NOTES:

- 1), It is preferred to retain CD inside the unit even when it is not in use. This prevents dust accumulation on optical lens.
- 2), Dirty or scratched CD may cause skipping problem. Clean or replace the CD.
- 3), If an erroneous display or malfunction occurs, disconnect the AC cord and remove all the batteries (where applicable) to turn off the display. Then turn the power back on.
 - No naked flame sources, such as lighted candles, should be placed on the apparatus.
 - Attention should be drawn to environmental aspects of battery disposal.
 - Use of the apparatus in moderate climates.
 - The apparatus shall not be exposed to dripping or splashing and that no objects filled with liquids, such as vases, shall be placed on the apparatus.
 - The mains plug or appliance coupler is used as disconnect device, the disconnect device shall remain readily operable.

BEFORE OPERATION

NOTES-CONCERNING COMPACT DISCS.

Since dirty, damaged or warped discs may damage the unit, care should be taken of the following items:

- 1, a. Usable compact discs
Use compact disc only with the mark shown on the disc.
- b. CD: compact disc only with digital audio signals.



- 2, A. NOTES ON HANDLING DISCS
Removing the disc from its storage case and loading it.
PRESS THE CLAWS AT THE CENTER OF THE DISC CASE.



INSERT WITH THE LABEL FACING UP.



LIFT OUT WITHOUT TOUCHING THE RECORDED SURFACE PRESS THE DISC GENTLY TO INSERT IT.

Do not touch the reflective recorded surface
Do not stick anything to or write anything on the surface.
Do not bend compact discs.

Incorrect



3. STORAGE

After removing a disc from the unit, be sure to put it back in its case.

Do not expose discs to direct sunlight, high temperatures from a heater, etc, high humidity, or dust.

Cleaning discs

Before loading a disc, wipe off any dust,

Dirt or fingerprints with a soft cloth. Discs should be cleaned by wiping radially, from the center to the edge.



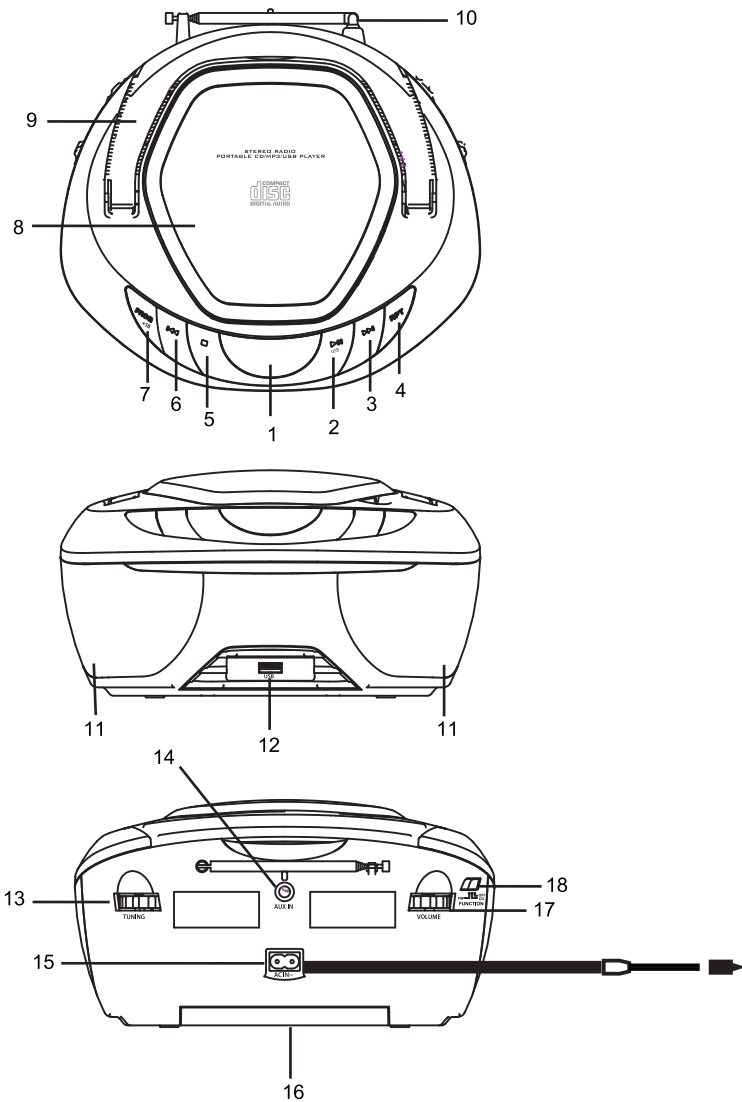
FROM THE CENTER TO THE EDGE

This unit has been designed to play 8cm or 12cm compact discs bearing the identification logo shown on the disc. Never use thinner, benzene, record cleaner or antistatic spray on a compact disc.

BEFORE OPERATION NOTES ON SET

- Beware of condensation
When water vapour comes into contact with the surface of cold material, water drops are produced.
If condensation occurs, correct operation may not be possible or the unit may not function correctly.
This is not a malfunction however, and the unit should be dried (To do this, turn the POWER switch ON and leave the unit as it is for several hours.)
- Be especially careful in the following conditions.
 1. When the unit is brought from a cold place to a warm place, and there is a large temperature difference.
 2. When a heater starts operating.
 3. When the unit is brought from an air-conditioned place to a place of high temperature with high humidity.
 4. When there is a large difference between the internal temperature of the unit and ambient temperature, or in conditions where condensation occurs easily.
- Protect your unit/set from rain, fire, moisture, sand, dust, chemicals & excessive heat (e.g. Near heating equipment or in car parked under the sun light.)

LOCATION OF CONTROLS



1. Display
2. Playback/Pause/USB
3. Skip+
4. Repeat One/All
5. Stop
6. Skip -
7. Program+10
8. CD door
9. Handle
10. Antenna
11. Speakers
12. USB port
13. Tuning
14. AUX IN socket
15. AC IN power socket
16. Battery compartment cover
17. Volume (Volume)
18. Function (Off/CD/FM)

PARTS

230V power cord

IMPORTANT NOTES

Avoid installing the unit in locations described below:

- Places exposed to direct sunlight or close to heat radiating appliances such as electric heaters.
- Dusty places.
- Places subject to constant vibration.
- Humid or moist places.

POWER SOURCES

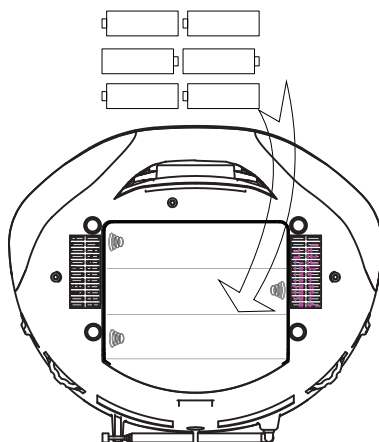
This unit operates on 230V~ 50Hz or 6 x DC1.5V "C" (UM-2) batteries. Do not attempt to operate the radio on any other power source. You could cause damage to the unit and void your warranty. Please be sure the power outlet you plug this unit into is working and receives constant (un-switched) power.

POWER SUPPLY

To supply power to the appliance, connect the power cord to the AC power supply input at the rear of the appliance and to a standard power socket.

For battery powered operation, this appliance requires 6x Type-C batteries.

We recommend using alkaline batteries (not included).



BATTERY OPERATION

1. Remove the battery cover on the bottom of the unit.
2. Install 6 x DC1.5V "C" (UM-2) batteries (not included) according to the polarity diagram inside the battery compartment.
3. Replace the battery cover.

IMPORTANT: Be sure that the batteries are installed correctly. Wrong polarity may damage the unit and void the warranty. For best performance and longer operating time, we recommend the use of good quality alkaline-type batteries.

CAUTION

1. Do not mix old and new batteries.
2. Do not mix alkaline, standard (carbon-zinc) or rechargeable (nickel-cadmium) batteries.
3. If the unit is not to be used for an extended period of time, remove the battery. Old or leaking battery can cause damage to the unit and may void the warranty.
4. Do not dispose of batteries in fire, batteries may explode or leak.

BATTERY REPLACEMENT

When the output sound of this unit becomes distorted or the CD player operation appears unstable, the batteries are weak. You need to replace all the exhausted batteries at the same time as soon as possible to avoid battery leakage.

During battery-powered operation, the appliance in stand-by mode consumes electrical power. When not using it for an extended period of time, we recommend removing the battery.

USING THE RADIO

FM RADIO

- Slide the function switch to FM mode
 - Set the desired frequency of the selected radio station by turning the tuning dial
- * If the signal is weak or distorted, try setting an antenna angle and length for improved reception

AUX

- Slide the function switch to FM mode
 - Use a cable with a 3.5mm jack in the AUX IN to connect the appliance to an external audio player
 - Control music from an external audio player (Volume setting of the appliance)
- * The CD function will be cancelled when a cable is inserted into the AUX IN socket

CD or CD/MP3

- Slide the function switch to CD mode
- Place a CD or CD/MP3 into the designated CD tray
- The CD or CD/MP3 will be automatically loaded and playback will commence from the first track
- Press the "Play / Pause / USB" button to pause playback (display is flashing).
- To stop playback, press the "Stop" Button.
- Press and hold the "Skip +/-" button to skip to the next or previous track and to quickly find the starting point for playback

USB/MP3

- Slide the function switch to CD mode
- Press and hold the "Play / Pause / USB" button to switch to USB mode
- Insert a USB flash disk into the USB port
- The USB disk will be automatically loaded and playback will commence from the first track
- Press the "Play / Pause / USB" button to pause playback (display is flashing), press the "Stop" button to stop playback
- Press and hold the "Skip +/-" button to skip to the next or previous track and to quickly find the starting point for playback

* Press the "Prog +10" button to skip forward by 10 tracks

* Connect a USB disk during CD playback, press and hold the "Play / Pause / USB" button to enter USB mode

REPEAT (CD or CD/MP3 or USB/MP3 mode)

- Press the "Repeat One/All" button once = to repeat a single track
- Press the "Repeat One/All" button twice = to repeat all tracks

PROGRAMMING (CD or CD/MP3 or USB/MP3 mode)

- CD = max 20 tracks
- CD / MP3, USB / MP3 = max 99 tracks
- Press the "Prog +10" button (before pressing the "Stop" button)
- Flashing P01 will appear on the display, press the "Skip +" or "Skip -" button to select a track
- Press the "Prog +10" button again to store the selected tracks
- Press the "Play / Pause / USB" button to playback the programmed list of tracks
- Double press the "Stop" button to cancel the programmed list of tracks

* The repeat function is available for the programmed list of tracks

ENERGY SAVING

If the appliance stops running in the CD or USB mode, then in order to save energy, the system will automatically return to stand-by mode after 10 minutes.

INSTRUCTIONS AND INFORMATION REGARDING THE DISPOSAL OF USED PACKAGING MATERIALS

Dispose of used packaging material at a site designated for waste in your municipality.



DISPOSAL OF USED ELECTRICAL AND ELECTRONIC EQUIPMENT

This symbol on products or original documents means that used electric or electronic products must not be added to ordinary municipal waste. For proper disposal, renewal and recycling hand over these products to determined collection points. Or as an alternative in some European Union states or other European countries you may return your products to the local retailer when buying an equivalent new product.

Correct disposal of this product helps save valuable natural resources and prevents damage to the environment caused by improper waste disposal. Ask your local authorities or collection facility for more details.

In accordance with national regulations penalties may be imposed for the incorrect disposal of this type of waste.

For business entities in European Union states

If you want to dispose of electric or electronic appliances, ask your retailer or supplier for the necessary information.

Disposal in other countries outside the European Union

This symbol is valid in the European Union. If you wish to dispose of this product, request the necessary information about the correct disposal method from the local council or from your retailer.



This product meets all the basic requirements of EU directives that apply to it.

Changes in the text, design and technical specifications may change without prior notice and we reserve the right to make these changes.

The original version is Czech.

Manufacturer: Fast CR, a.s. , Černokostelecká 1621 , CZ 251 01 Říčany, Czech Republic

SENCOR®

EN Warranty conditions

Warranty card is not a part of the device packaging.

This product is warranted for the period of 24 months from the date of purchase to the end-user. Warranty is limited to the following conditions. Warranty is referred only to the customer goods using for common domestic use. The claim for service can be applied either at dealer's shop where the product was bought, or at below mentioned authorized service shops. The end-user is obligated to set up a claim immediately when the defects appeared but only till the end of warranty period. The end user is obligated to cooperate to certify the claiming defects. Only completed and clean (according to hygienic standards) product will be accepted. In case of eligible warranty claim the warranty period will be prolonged by the period from the date of claim application till the date of taking over the product by end-user, or the date the end-user is obligated to take it over. To obtain the service under this warranty, end-user is obligated to certify his claim with duly completed following documents: receipt, certificate of warranty, certificate of installation.

This warranty is void especially if apply as follows:

- Defects which were put on sale.
- Wear-out or damage caused by common use.
- The product was damaged by unprofessional or wrong installation, used in contrary to the applicable instruction manual, used in contrary to legal enactment and common process of use or used for another purpose which has been designed for.
- The product was damaged by uncared-for or insufficient maintenance.
- The product was damaged by dirt, accident of force majeure (natural disaster, fire, and flood).
- Defects on functionality caused by low duality of signal, electromagnetic field interference etc.
- The product was mechanically damaged (e.g. broken button, fall).
- Damage caused by use of unsuitable media, fillings, expendable supplies (batteries) or by unsuitable working conditions (e.g. high temperatures, high humidity, quakes).
- Repair, modification or other failure action to the product by unauthorized person.
- End-user did not prove enough his right to claim (time and place of purchase).
- Data on presented documents differs from data on products.
- Cases when the claiming product cannot be indentified according to the presented documents (e.g. the serial number or the warranty seal has been damaged).

Authorized service centers

Visit www.sencor.eu for detailed information about authorized service centers.

