

SENCOR®

SWS 5400



USER MANUAL

UŽIVATELSKÁ PŘÍRUČKA

POUŽIVATEĽSKÁ PRÍRUČKA

HASZNÁLATI ÚTMUTATÓ

PODRĘCZNIK UŻYTKOWNIKA

WEATHER STATION

METEOROLOGICKÁ STANICE

METEOROLOGICKÁ STANICA

METEOROLÓGIAI ÁLLOMÁS

STACJA METEOROLOGICZNA

EN

CZ

SK

HU

PL



1. FEATURES

1.1 Weather Forecast

- Sunny, Slightly Cloudy, Cloudy, Rainy and Snow animation

1.2 Time

- Radio Controlled Time
- Perpetual Calendar Up to Year 2099
- Day of week in multi languages user selectable
- Daily Alarm Snooze Function


1.3 Temperature

- Indoor measurable range: -9.9 ~ 50°C
- Measures: °C / °F user selectable
- Outdoor measurable range: -20 ~ 50°C

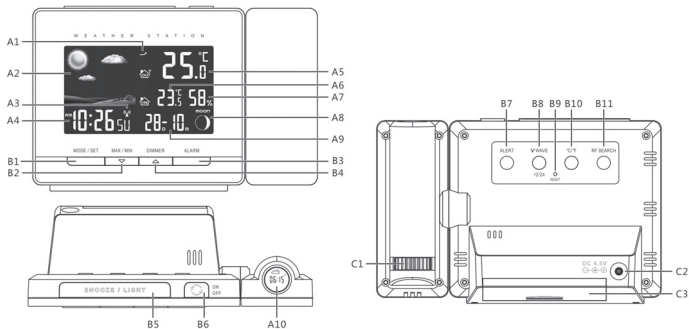
1.4 Humidity

- Measurable range: 20 ~ 99%

1.5 Wireless Outdoor Sensor

- 433 MHz RF receiving frequency
 - Transmission range: 70 meters (open area)
 - Low-battery indicator for outdoor thermo sensor
 - Wall Mount or Table Stand
- 

2. MAIN UNIT APPEARANCE



2.1 Part A- LCD

A1: Barometric Trend
A2: Weather Forecast
A3: Radio Controlled Icon
A4: Time, Day of Week
A5: Outdoor Temperature

A6: Indoor Temperature
A7: Indoor Humidity
A8: Moon phase
A9: Date

2.2 Part B- Buttons

B1: "MODE/SET" button
B2: "▼/MAX/MIN" button
B3: "ALARM" button
B4: "▲/DIMMER" button
B5: "SNOOZE/LIGHT" button
B6: Projection "ON/OFF" button

B7: "ALERT" button
B8: "WAVE/ (12/24)" button
B9: "RESET" button
B10: "C/F" button ("C"/"F")
B11: "RF SEARCH" button

2.3 Part C- Structure

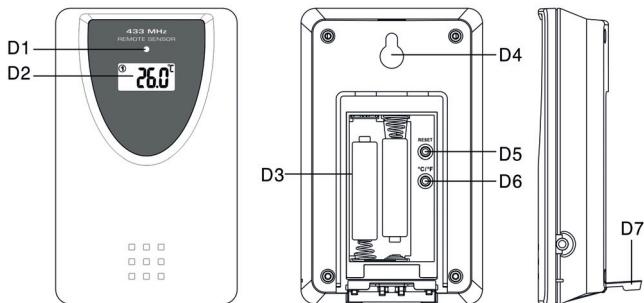
C1: "FOCUS" wheel
C2: Adaptor plug (4.5V, 150mA)

C3: Battery compartment

3. OUTDOOR SENSOR APPEARANCE

D1: Transmission Indication LED
D2: Outdoor temperature
D3: Battery compartment
D4: Wall mount hole

D5: "RESET" button
D6: °C/°F button
D7: Stand



4. GETTING STARTED:

4.1 Main Unit:

- Remove main unit battery door and insert 2pcs AA size battery.
- Or connect the power cord to the wall outlet. Before connecting the unit to power, please make sure your local voltage is the same as marked on the adaptor.
- Place main unit onto flat surface.

Note:

- (1) When powered by battery only, backlight & projection would be off. Press "SNOOZE" button, backlight and projection content will last for around 10 seconds.
- (2) When connecting with the adaptor on the premise that batteries have been installed correctly, this product will switch to the external power supply automatically.

4.2 Outdoor Thermo Sensor

- Battery compartment (D3) of thermo sensor is locating behind the back cover, unscrews the batteries cover to open.
- Insert 2 x AAA batteries observing polarity ["+" and "-" marks]
- The remote sensor should be securely mounted onto a horizontal surface.

**Note:**

- (1) *Transmissions between receiver and transmitter can reach up to 70m in open area. Open Area: there are no interfering obstacles such as buildings, trees, vehicles, high voltage lines, etc.*

5. WEATHER FORECAST FUNCTION

5.1 Operation

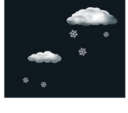

- After power up, weather icon flash on the LCD. Enter the current weather pressing “▲” or “▼” button. Press “MODE/SET” button to confirm the setting. The weather forecast may not be accurate if the current weather entered is not correct.
- The current weather status should be entered again if the altitude of the main unit is changed. (Barometric pressure is lower at higher altitude location. Therefore, altitude change will affect the weather forecast). The weather station will start the first forecast at 6 hours later after the current weather status is entered.

5.2 Weather Conditions

There are totally 5 different weather status animations in the weather forecast.

Sunny	Slightly Cloudy	Cloudy	Rainy	Freezing Or Snow






- “  ” is shown if the weather forecast is Rainy and outdoor temperature under 0°C.
- Frost Alert: “  ” is shown if the outdoor temperature is between -2°C ~ +3 °C
- If there is any inconsistency of weather forecast between local weather station and this unit, the local weather station's forecast should prevail. The manufacture will not hold responsible for any trouble that may come up due to wrong forecasting from this unit.





5.3 Barometric Trend Pointer (A1)

The trend pointer displayed on the LCD (A1) indicates the trend of the barometric pressure.

 <p>Indicating the barometric pressure trend is rising</p>	 <p>Indicating the barometric pressure trend is steady</p>	 <p>Indicating the barometric pressure trend is falling</p>
---	---	--

6. THERMOMETER

6.1 RF Transmission Procedure:

- The main unit automatically starts receiving transmission from outdoor thermo sensor for outdoor temperature after weather condition setting.
- The thermo sensor unit will automatically transmit temperature signal to the main unit after batteries inserted.
- If main unit failed to receive transmission from outdoor thermo sensor in first 3 minutes after power up ("-. -. -" display on the LCD), hold "RF SEARCH" button for 3 seconds to receive transmission manually.

6.2 Temperature & Humidity

(1) Celsius / Fahrenheit

- Press "C/F" button to select indoor/outdoor temperature in Celsius mode or Fahrenheit mode.
- If the temperature is out of the measurable range, LL.L (beyond the minimum temperature) or HH.H (beyond the maximum temperature) will be shown on the LCD.

(2) Humidity

- The humidity measurable range is 20% ~ 99%. If the current humidity measurement is lower than 20%, the LCD would display **20%**. If current humidity measurement is higher than 99%, the LCD would display 99%

(3) Maximum / Minimum temperature & Indoor humidity recording:

- Press "MAX/MIN" button to show the maximum daily recorded indoor /outdoor temperature and indoor Humidity. "DAILY MAX" is shown on the LCD.
- Press "MAX/MIN" button again to show the minimum daily recorded indoor/outdoor temperature and indoor humidity. "DAILY MIN" is shown on the LCD.

(4) Outdoor Temperature Alert Function

- Press "ALERT" button to select to activate or deactivate outdoor temperature alert function.
- Press ALERT button select to:
 - Active outdoor upper temperature alert, the icon "▲" below outdoor temperature digit would display.



- Active outdoor upper & lower temperature alert, the icon "▲▼" below outdoor temperature digit would display.
- Active outdoor lower temperature alert, the icon "▼" below outdoor temperature digit would display.
- Deactivate outdoor temperature alert, alert icon disappear.
- Hold "ALERT" button for 3 seconds to enter outdoor temperature alert setting.
- Icon "▲" or "▼" below outdoor temperature's digits flash. Press "▲" or "▼" button to adjust the setting value, press "ALERT" to confirm the setting. Setting sequence as follow: Upper limit of temperature, Lower limit of temperature.
- When it's alert, the corresponding icon "▲" or "▼" would flash on the LCD. Press any buttons to stop the alert sound.

7. TIME AND ALARM SETTING

7.1 Radio Controlled Clock:

- After batteries inserted, the clock automatically starts to scan the WWVB time signal.

Radio Control Icon "⌚" flashes on the LCD.

⌚ flashes, Indicating now is receiving DCF signal	⌚ turns on, Indicating signal received successfully	⌚ disappear, Indicating signal reception failed
---	---	---

- The clock automatically scans the time signal at 3.00 a.m. every day to maintain accurate timing. If reception fail, scanning stops ("⌚") on LCD disappear
- The clock can be set to scan the time signal manually by holding "WAVE" button for 3 seconds. Each reception takes about few minutes.
- Stop scanning by holding "WAVE" button for 3 seconds.
- "DST" shown on the LCD if it is in daylight saving time mode.

7.2 Manual Time Setting

- Hold "MODE" button for 3 seconds to enter settings, press "▲" or "▼" button to adjust setting. Press "MODE" to confirm and move to the next setting.
- The setting sequence are as follows: Weather forecast, RCC ON/OFF, Time Zone, 12/24Hour, Hour, Minute, Weekday language, Year, Month-Day Sequence, Month, Day, Temperature Unit
- 10 languages can be selected in Day-of-week, they are: German (GE), English(EN), French(FR), Italian(IT), Dutch(NE), Spanish(ES), Danish(DA), Czech(CZ), Russian(RU), Norwegian (NO)
- The time zone is used for the countries where can receive the DCF time signal but the time zone is different from the German time. When the country time is faster than the German time for 1 hour, the zone should be set to +1. Then the clock will automatically set 1 hour faster from the signal time received.

7.3 Daily Snooze Alarm Function:

- Press "MODE/SET" button to select to view:

Time → Alarm Time ("AL" Shown on the LCD)

- Hold "ALARM" button for 3 seconds to enter alarm time setting. Press "▲" or "▼" button to adjust the alarm time.
- Press "ALARM" button to switch alarm on or off. If it is on, "🔊" shown on the LCD.
- When alarm sounds, press "SNOOZE" button to activate the snooze alarm, ("🔊" flash on the LCD). The alarm will snooze for 5 minutes, then it alarms again. This snooze function can be enabled for maximum 7 times.
- Except "Snooze" button, press any buttons to stop the snooze alarm.

8. MOON PHASE DISPLAY

- Moon phase display would be changed base on the changing in date.

9. PROJECTION:

- Press "PROJECTION" button to select turn on or turn off projection function. When projection function is on, hold "PROJECTION" (B5) button for 3 seconds to reverse the projection content 180°.
- Turn the wheel (C1) to adjust the focus of projection.
- When viewing projection content, press "SNOOZE/LIGHT" button select to view: weather forecast & time, weather forecast & indoor temperature, weather forecast and outdoor temperature, or display the contents alternatively (icon "↻" display)

Note:

- (1) *If use 2 X AA size battery as power supply, the projection content would last for around 10 seconds if projection function is activated.*
- (2) *If use AC/DC adaptor as power supply and projection function been activated, the projection content would last til the power is off or the projection function been switched off.*

10. BACKLIGHT

- When powered by adaptor, press "DIMMER" button to adjust the brightness of backlight. If backlight is darker or off, press "SNOOZE" button and backlight would be in the brightest and last for around 15 seconds.
- When powered by battery only, DIMMER function is not workable, press "SNOOZE" button and backlight would last for around 10 seconds.

11. LOW BATTERY INDICATION:

The low battery icon "🔋" turns on the display (beside the outdoor temperature), indicating that thermo sensor in low battery status. The batteries should be replaced.

12. PRECAUTIONS

- Use a pin to press the reset button if the Unit does not work properly.
- Avoid placing the clock near interference sources/metal frames such as computer or TV sets.
- Do not expose it to direct sunlight, heavy heat, cold, high humidity or wet areas.
- The outdoor sensor must not be set up and installed under water. Set it up in away direct sunlight and Rain.
- Never clean the device using abrasive or corrosive materials or products. Abrasive cleaning agents may scratch plastic parts and corrode electronic circuits.

SPECIFICATIONS

Battery Power of Main Unit:	2 x 1.5 V Type AA (Batteries Not Included)
Power Adaptor of Main Unit:	DC 4.5 V / 150 mA, Consumption: 0.68 W
Dimensions of Main Unit (w / h / d):	141 x 92 x 51 mm
Weight of Main Unit:	173 g
Power of Sensor:	2 x 1.5 V Type AAA (Batteries Not Included)
Transmission Between Main Unit and Sensor:	up to 70 m (in Open Area)
Sensor Transmission Frequency:	433 MHz

ADAPTER TECHNICAL SPECIFICATIONS

Manufacturer's name or trade mark, commercial registration number and address:	HUA XU ELECTRONICS FACTORY, No. 1, Shi Tang Bei Street 2, Shi Jie Town, Dong Guan City, Guang Dong, P.R.China
Model identifier:	HX0180450150D2E
Input voltage:	AC230 - 240V
Input AC frequency:	50Hz
Output voltage:	DC4.5V
Output current:	0.15A
Output power:	0.68W
Average active efficiency:	≥49.75%
No-load power consumption:	≤0.10W

INSTRUCTIONS AND INFORMATION REGARDING THE DISPOSAL OF USED PACKAGING MATERIALS

Dispose of packaging material at a public waste disposal site.



DISPOSAL OF USED ELECTRICAL AND ELECTRONIC APPLIANCES

The meaning of the symbol on the product, its accessory or packaging indicates that this product shall not be treated as household waste. Please, dispose of this product at your applicable collection point for the recycling of electrical & electronic equipment waste. Alternatively in some states of the European Union or other European states you may return your products to your local retailer when buying an equivalent new product. The correct disposal of this product will help save valuable natural resources and help in preventing the potential negative impact on the environment and human health, which could be caused as a result of improper liquidation of waste. Please ask your local authorities or the nearest waste collection centre for further details. The improper disposal of this type of waste may fall subject to national regulations for fines.

For business entities in the European Union

If you wish to dispose of an electrical or electronic device, request the necessary information from your seller or supplier.

Disposal in other countries outside the European Union

If you wish to dispose of this product, request the necessary information about the correct disposal method from local government departments or from your seller.



The product meets EU requirements.

Hereby, FAST ČR, a.s. declares that the radio equipment type SWS 5400 is in compliance with Directive 2014/53/EU. The full text of the EU declaration of conformity is available at the following internet address:
www.sencor.com

Changes to the text, design and technical specifications may occur without prior notice and we reserve the right to make these changes.

The original version is in the Czech language.

Address of the manufacturer:

FAST ČR, a.s., Černokostecká 1621, Říčany CZ-251 01



SENCOR®

EN Warranty conditions

Warranty card is not a part of the device packaging.

This product is warranted for the period of 24 months from the date of purchase to the end-user. Warranty is limited to the following conditions. Warranty is referred only to the customer goods using for common domestic use. The claim for service can be applied either at dealer's shop where the product was bought, or at below mentioned authorized service shops. The end-user is obligated to set up a claim immediately when the defects appeared but only till the end of warranty period. The end user is obligated to cooperate to certify the claiming defects. Only completed and clean (according to hygienic standards) product will be accepted. In case of eligible warranty claim the warranty period will be prolonged by the period from the date of claim application till the date of taking over the product by end-user, or the date the end-user is obligated to take it over. To obtain the service under this warranty, end-user is obligated to certify his claim with duly completed following documents: receipt, certificate of warranty, certificate of installation.

This warranty is void especially if apply as follows:

- Defects which were put on sale.
- Wear-out or damage caused by common use.
- The product was damaged by unprofessional or wrong installation, used in contrary to the applicable instruction manual, used in contrary to legal enactment and common process of use or used for another purpose which has been designed for.
- The product was damaged by uncared-for or insufficient maintenance.
- The product was damaged by dirt, accident of force majeure (natural disaster, fire, and flood).
- Defects on functionality caused by low duality of signal, electromagnetic field interference etc.
- The product was mechanically damaged (e.g. broken button, fall).
- Damage caused by use of unsuitable media, fillings, expendable supplies (batteries) or by unsuitable working conditions (e.g. high temperatures, high humidity, quakes).
- Repair, modification or other failure action to the product by unauthorized person.
- End-user did not prove enough his right to claim (time and place of purchase).
- Data on presented documents differs from data on products.
- Cases when the claiming product cannot be identified according to the presented documents (e.g. the serial number or the warranty seal has been damaged).

Authorized service centers

Visit www.sencor.com for detailed information about authorized service centers.