

SENCOR®

Let's live!

**BLUETOOTH DIGITAL
AUDIOSYTEM
SSS 4201**

**USER'S MANUAL
EN**



Table of Contents

Declaration	2
1. Important safety instructions	2
General safety instructions	2
Installation, operation	2
Repairs and maintenance	3
USB connector, notes on using the unit:	4
2. Features.....	5
Package contents in addition to the supplied product:.....	5
3. Description.....	6
3.1. Top panel.....	6
4. Using.....	8
4.1. Handling and preparing for operation	8
4.2. Connection and operation	8
4.3. Equaliser	10
4.4. Using microphone and guitar input	10
4.5. Using the sound enhancement feature	11
4.6. Light effects.....	11
5. Troubleshooting	12
6. Technical specifications.....	13
INSTRUCTIONS AND INFORMATION ABOUT THE DISPOSAL OF DISCARDED PACKAGE	14
DISPOSAL OF DISCARDED ELECTRICAL AND ELECTRONIC EQUIPMENT	14

Declaration

We reserve the right to make corrections, changes and translations in this user's manual without prior notice. For this reason, we recommend that you regularly visit our website and acquire the latest information.

1. Important safety instructions

General safety instructions

- Read this user's manual. Follow the instructions contained in this user's manual.
- Heed all warnings.
- Adhere to all instructions.
- Use only accessories determined by the manufacturer.
- An open flame must not be placed on the appliance, e.g. burning candle.
- Use the appliance in a temperate climate zone.
- Under no condition does the manufacturer or the vendor of the appliance take responsibility for any direct or indirect damages caused by not adhering to the instructions for installation, set-up, use, repair or cleaning of this appliance as described in this user's manual.
- Protect the appliance against being knocked, dropped, hit and shaken and against vibrations, humidity and dust.
- Before allowing children to use the device, they must be informed about the correct and safe use of the device appropriately to their age.

Installation, operation

- Install the appliance according to the instructions in the user's manual.
- Leave free space on all sides of the appliance necessary for proper air circulation. This removes the heat created during operation. Covering the ventilation openings of the appliance's case creates a risk of overheating or damaging the appliance. It is necessary to ensure that the ventilation openings are not blocked, e.g. by a newspaper, a table cloth, a curtain, etc. Follow the installation instructions in the user's manual.
- Do not install the appliance in direct sunlight or near sources of heat, such as heaters, heat exchangers, stoves or other appliances (including amplifiers) producing heat. High temperatures significantly reduce the lifetime of electronic components in the appliance. Do not use or leave the appliance in the vicinity of an open fire.
- **The appliance must not be exposed to dripping or running water and objects filled with water must not be placed on it, e.g. vases.** Protect the appliance against rain, spray or contact with any other liquid; do not leave or install the appliance outdoors. Do not use the appliance outdoors. Not adhering to these instructions creates a risk of electrical shock or fire hazard.
- Do not use this appliance near water.
- Do not attempt to circumvent the polarised power plug safety feature. If the power plug cannot be inserted into your power socket, contact a qualified electrician to replace the old type of power socket.

- Before connecting the appliance into a power socket, check that the voltage in your power socket corresponds to the voltage on the rating label of the appliance or on its power adapter.
- Make sure that the power cord is not stepped on or compressed, particularly near the power plug, power socket and at the point where it exits the appliance or the adapter. The power plug (adapter) is used as a disconnection appliance and must be easily accessible.
- Remember to always disconnect the power plug (adapter) from the power socket before disconnecting the power cable from the rear side of the appliance.
- Disconnect the appliance from the power socket during storms or if you will not be using it for a longer time.
- Avoid moving the device from a cold environment to a warm one or vice versa, e.g. when using the device in a very humid environment. Air humidity may condense on some components inside the case of the appliance and the appliance may stop working temporarily. If this occurs leave the appliance in a warm and well ventilated place and wait 1-2 hours until the moisture evaporates and the appliance can once more be used as usual. Be careful especially when using it during a cold season.
- Under no condition does the manufacturer or the vendor of the appliance take responsibility for any direct or indirect damages caused by not adhering to the instructions for installation, set-up, use, repair or cleaning of this appliance as described in this user's manual.

Repairs and maintenance

- To prevent risk of injury through electric shock or the creation of a fire, do not take the appliance out of the case - there are no parts inside the case repairable or adjustable by the user without appropriate equipment and qualifications. Should the device require adjustment or repair, contact a professional service centre.
- In the case of any unusual events occurring during the use of the appliance, e.g. if there is a distinct smell of burning insulation or smoke comes out of the appliance, immediately turn off the appliance, disconnect the appliance from the power source and do not use the appliance until you have received the results of an inspection by the employees of the professional service centre.
- Have all repairs carried out by qualified personnel. Repairs are necessary if the appliance has been damaged in any way, for example if the power cord is damaged, liquid was poured on the appliance, foreign objects have entered the appliance, the appliance has been exposed to rain or moisture, if the appliance is not working as usual or if it has fallen.
- Before cleaning, carrying or other maintenance, disconnect the plug (adapter) from the power socket.
- Clean the appliance only with a dry cloth.
- For cleaning do not use petrol, thinners or any other solvents or use any abrasive cleaning agents, steel wool or any sponges with steel wool.

**Caution:**

To prevent a fire hazard or injury by electrical shock, do not expose this device to rain or humidity.

**Caution:**

Batteries must not be exposed to excessive heat, for example sunlight, fire, etc.

USB connector, notes on using the unit:

USB memory device must be inserted directly into the unit. To prevent data transmission failure or interference, do not use USB extension cables.

Electrostatic discharges may cause the unit to malfunction. In such an event, the user must restart the unit.

Before using a USB memory device, test its ability to communicate with the unit, its data reading and writing speed.

To achieve maximum reading speed we recommend that you keep disk space defragmented. Use the FAT32 file system, a single partition, without protection. If reading and writing on the USB flash disk is discontinuous, undesirable effects may occur such as partial image loss (block noise) or complete image loss, audio defects, and in extreme cases the operation will be stopped. Unexpected behaviour of the connected memory device, or the presence of viruses or other damaging software may cause the functions of the appliance to stop working, necessitating a restart.

The USB **PLAYBACK** connector is of a standard type and cannot power a USB device with a high power usage (e.g. hard disk drives HDD). Use devices with independent power supplies and power them from their own power supplies.

The unit has been designed to achieve maximum compatibility with memory devices.

With respect to the variety of devices on the market, it is not possible to guarantee compatibility with every USB device. If problems persist, use a different memory device.

The USB **CHARGING** connector is designed for charging the device (up to 1A) and cannot be used for music playback.

**WARNING:**

Do not open. There are no user serviceable parts inside.

Refer the repair to a qualified technician.

Never apply any lubrication agent to any part of this device.

Place this unit on flat, firm and stable surface.

Do not put this device on other electrical equipment.

DECLARATION:

Our company reserves the right to revise the content of this manual without prior notice.

2. Features

Thank you for purchasing our product. The audio system is designed to provide strong and quality sound from multiple sources, accompanied with light effects. It was designed for household use at room temperatures with no dripping liquids or condensing moisture. Please read the user's manual so you can use it correctly. Keep this manual for future use.

Package contents in addition to the supplied product:

This user's manual

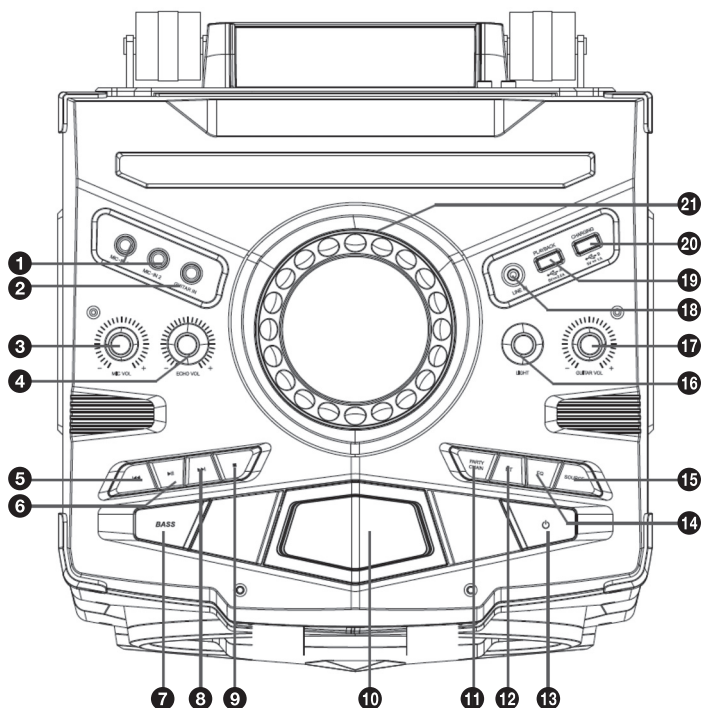


Power cord



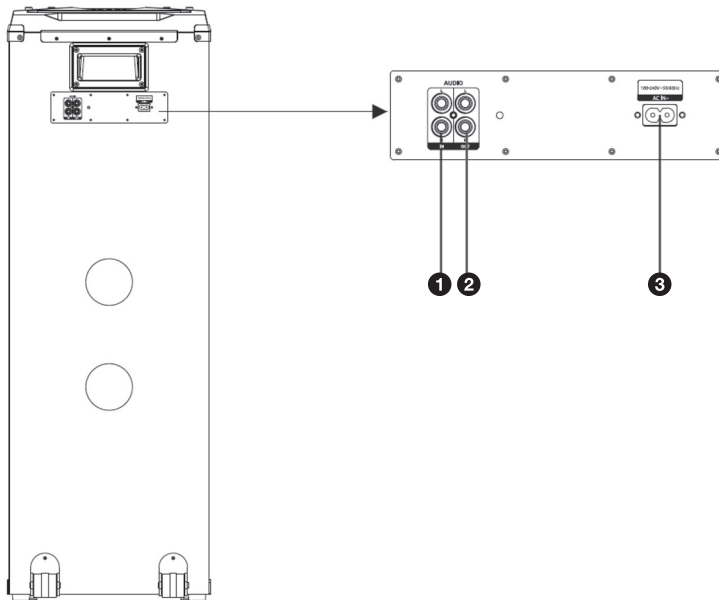
3. Description

3.1. Top panel



- ❶ Microphone input (6.3mm jack)
- ❷ Guitar input (6.3mm jack)
- ❸ Microphone input volume control
- ❹ ECHO volume control
- ❺ PREVIOUS button - to play back media
- ❻ PLAY/PAUSE button - to play back media
- ❼ MEGA BASS button
- ❽ NEXT button - to play back media
- ❾ STOP button - to pause the media being played back
- ❿ Status display
- ⓫ PARTY CHAIN button - other device connection mode SSS 4201
- ⓬ BT button - Bluetooth source quick selection
- ⓭ Power on/off button (Go to the Standby mode)
- ⓮ EQ button - to switch the equalizer - (BALANCE, ROCK, JAZZ, SAMBA, POP)

- 15 SOURCE button (Select sound source) - cycle among AUDIO, LINE, BT, USB
- 16 LIGHT knob - to select light effects
- 17 Guitar input volume control
- 18 LINE IN
- 19 USB A - memory medium input 5V, 0.5A
- 20 USB B - mobile device charging output , 5V 1A
- 21 Volume Control - turn right to increase volume, turn left to decrease volume



- 1 Audio (L/R) INPUT
- 2 Audio (L/R) OUTPUT
- 3 AC power socket ~ 100-240V 50Hz / 60Hz

4. Using

4.1. Handling and preparing for operation


For easy moving, the audio system is equipped with two casters on the back panel and a large handle in the front.

On the back side of the top panel, there is a groove to store modern music sources such as your tablet or mobile phone. Before storing them, make sure that the source is firmly secured in the groove and cannot fall out during operation.

On the back panel, there are separate circle bassreflex outputs from both woofers.

They recover the bass energy from the back of the cone. To ensure optimum effect, it's important for the bassreflex outputs to stay uncovered and unblocked with the audio system being kept away from the wall. During operation, make sure that the system is kept at least 10cm or better 20cm from the wall.

4.2. Connection and operation

Always make cable connections with the audio system put in the Standby mode. Make sure to use quality cables. Protect input and connection points from excessive mechanical stress. When done with the connections, turn the audio system on by pressing .

Tip for volume setting:

First, set the volume on your audio source or audio system to minimum, then turn it up gradually to a desired level. Thus, you won't be unpleasantly surprised by very loud sounds due to an incorrect volume setting. Keep the volume of all sources below a level that could cause distortion. Also, avoid leaving an external signal source set to a very low volume as this could be evaluated by the audio system as a no signal condition with the sleep timer enabled.

4.2.1. Line IN input

You can connect an external stereo analogue such as MP3 player, mobile phone etc. to LINE IN via a 3.5mm minijack cable. Press SOURCE repeatedly until the display shows "LINE".

4.2.2. AUDIO IN, AUDIO output, PARTY mode

The **Audio** input with RCA/CINCH sockets on the device back panel can be used to connect both external signal source as well as a second SSS 4201 system via a cable.

4.2.3. Bluetooth connection

Press SOURCE repeatedly until BLUETOOTH scrolls on the display. The display will show NO BT (no Bluetooth connection is enabled).

Enable Bluetooth on your device (phone, tablet) and in the device list, select SSS 4201 to pair with. If a pairing code is requested by your device, please enter 0000. When the devices have verified each other, the Bluetooth connection is established, the audio system display will show CONNECT and a short tune will be played. You needn't pair the devices again the next time you turn on both devices unless you cancel the pairing intentionally on your device. As soon as Bluetooth is enabled on both devices, they will connect automatically after a while and the display will show message and the tune will be played again. This is usually applicable if the last device connected to your device was the audio system or if priority was given to the audio system.

Note:

To ensure a stable Bluetooth connection, make sure that the distance between the BT speaker and your connected device is kept within 10m.

**Caution:**

Some connected devices support common volume setting. If some of the connected devices do not support this feature, the volume setting will operate separately on each device.

4.2.4. USB playback

When media is inserted in the USB port and USB input is selected manually, audio system will search the connected storage and starts playing the first music file. "NO FILE" will be shown on the display if the memory contains no playable files. Although there is virtually no limit to the number of tracks, larger collections may be more difficult to navigate in and we therefore recommend to use a smaller memory size with fewer files in total and a clear content organization in folders.

Note:

Keep the port and slot holes/contacts clean. The playback reliability depends on quality connection. The audio files will be played back in the same order as saved on the USB memory device. If you want to keep your playlist, please copy the tracks in your selected order.

**USB POWER NOTICE:**

The USB PLAYBACK port is designed to sufficiently cover the operating losses of the connected devices, being able to supply power to the connected devices up to the standard level of 500 mA. If you want to connect a device with the current draw higher than 500mA, please use an external power source.

**COMPATIBILITY NOTICE:**

Despite the utmost compatibility efforts, the usability of all commercially available USB and memory devices cannot be guaranteed. If problems occur, please format the memory to FAT/FAT32 file system in PC and save the files to it again. If problems persist, do not use this device any more and replace it with another one. First of all, note that memory devices deteriorate (e.g. by content fragmentation and wear) and become liable to errors due to higher temperatures or temperature/moisture fluctuations when used for prolonged periods of time. Do not use memory devices that have special locks protections or hidden areas or files or that may be attacked by viruses. If some playback irregularities occur, do not use such memory any more. If the system stops and can be no longer operated (i.e. "freezes"), unplug the power cord, remove the memory, then turn the audio system back on normally.

4.3. Equaliser

The audio system is equipped with an internal equaliser. You can use any of the 5 modes stored. These modes have been designed for various music genres and named by typical appropriate music categories (JAZZ, POP, SAMBA, ROCK). Check out the equaliser settings to your taste and the music being played back. The setting without additional frequency adjustments is called BALANCE.

4.4. Using microphone and guitar input

To comment on the music being played back or sing Karaoke, you can connect a mono dynamic microphone to the audio system via an unbalanced 6.3mm jack. To set the microphone volumes, use a dedicated potentiometer with a minimum mark under the microphone inputs. In some cases (such as Karaoke), it's useful to enable the ECHO system to add echo/space to the microphone sound. To connect the guitar, you can use a mono 6.3mm jack input on the top of the audio system.

Note:

Make sure that only quality microphones and mainly cables are used. As weak microphone signals are amplified to strong levels, any defect may result in increased noise, hum, wheeze, cracking etc.

Tip:

Adjust the microphone volume carefully, always starting from minimum. This will prevent unwanted feedback, i.e. very unpleasant loud sound caused by the microphone sound being amplified, radiated from the speaker, then amplified again etc. until the loud feedback sound overrides all music. To cancel this effect: reduce the microphone input volume, increase the distance between microphone and the speakers.

Also you can cancel feedback by using better-quality microphones with more appropriate direction characteristics.

Microphones with omnidirectional characteristics are the most liable to feedback.

Better results are achieved with bidirectional characteristics as well as cardioid or special, hypercardioid or gradient characteristics.

4.5. Using the sound enhancement feature

The audio system offers a sound enhancement feature mainly in the bass domain to accentuate the sound you find important. To enable the function, press BASS and the display will show BASS ON. To disable the function, press the same button again and the display will show BASS OFF.

Tip:

As the sound enhancement feature generates very loud and solid sound, please check it before use.

4.6. Light effects

The audio system is equipped with a light effect feature. To turn on/off/change the light effect, press the rotary knob. To change the colour scheme, turn the rotary knob. The MEGA BASS mode provides stroboscopic effect flashing.

**Caution:**

The light effects may have unfortunate health impacts. Make sure that the fast light effect changes are safe for you and your neighbourhood.

5. Troubleshooting

If problems occur, please read possible solutions below before reaching out to a service.

Symptom	Cause and solution
No power.	The power cord is not properly connected to the sockets, damaged or broken. Connect the cord in the sockets correctly or replace for a new one undamaged. For your safety, do not try to use a damaged power cord!
No sound from a required source	The playback has been stopped or paused. Incorrect sound path setting. First check the cables and if the connectors are plugged correctly. Also, check if the source is being played back, then check step-by-step if a correct input is selected and each volume in the signal path is set to an appropriate non-zero value such as in the middle of the range.
Sound distortion	Excessive volume. Turn down the master volume.
Sound distortion	Incorrect levels in the signal path. Check if the volumes and levels are set appropriately (typically, a very high sound volume is restricted to a minimum in the next stage) and the input and output types are matched (e.g. connecting a line or a headphone output in a microphone input is wrong).
Buttons fail to function, audio system is unresponsive	Electrostatic charge effect or connected device fatal error. Disconnect the entire audio system from the power supply, disconnect all connected devices, wait a couple of minutes, then turn the audio system back on normally.
Bluetooth connection cannot be established	Pending connection initialization. Disable Bluetooth on the audiosystem as well as the connected system, then enable again, cancel pairing, have the devices find each other again and restore the pairing (enter the 0000 code if applicable).
Bluetooth connection fails, BT control does not work	There is a great distance between transmitter and receiver or radio interference occurs; different function of each unit. Reduce the distance between both BT units to an absolute minimum, reduce ambient interference, renew pairing of both units.
Only half of the speakers plays back the music.	The audio signal is not present in both channels. Check if the audio signal is supposed to be in one channel only (author's intention) or the cable or one connector insertion is faulty.

6. Technical specifications

SSS 4201

Audio system

Power output: 800W

LED display

Flashing LED lighting

Sound:

Power output: 800W (impedance: 6Ω)

2 bass speakers and 2 tweeters

Frequency characteristic: 50 Hz – 20 kHz

Total harmonic distortion: ≤ 10%

Preset equalizer modes (pop, balance, rock, jazz, samba)

BASS BOOST button

Lighting:

7 colours (red, green, blue, yellow, cyan, purple, white)

6 lighting effects with disable option

Inputs:

Bluetooth Audio 5.1

Audio connector (3.5mm stereo jack)

2× USB (1× playback and 1× charging)

2× microphone connector (6.3mm jack)

Guitar input (6.3mm jack)

Rear AUX IN - (audio cinch L/R)

Outputs:

Rear AUX-OUT (audio cinch L/R)

Other:

Karaoke function (Echo, Volume)

Power supply: AC ~ 100–240V 50Hz / 60Hz

Power efficiency: < 0.5W

Dimensions: 1020 × 385 × 349mm

Weight: 17 kg

Bluetooth

Version 5.1, maximum transmitter output: 100mW @ 2.4GHz – 2.4835GHz

Codec: SBC; Profile: A2DP/AVRCP

The technical specifications provided above may change without prior notice.

INSTRUCTIONS AND INFORMATION ABOUT THE DISPOSAL OF DISCARDED PACKAGE

Return the packaging to a collection centre for disposal.

DISPOSAL OF DISCARDED ELECTRICAL AND ELECTRONIC EQUIPMENT



This symbol placed on the product, accessories or package notifies that the product must not be treated as household waste. Please dispose of this product in a collection centre designed for recycling electric and electronic equipment. In some EU or European countries, you can return your products to your local dealer when buying a new equivalent product. Proper disposal of this product helps save valuable natural resources and prevents possible adverse impacts on the environment and human health that might be caused by improper waste disposal. For further information, please contact your local authorities or the nearest waste disposal collection centre. Wrong disposal of this type of waste may be subject to a legal penalty.

For EU companies

If you need to dispose of an electric or electronic device, ask your dealer your supplier for necessary information.

Disposal in countries outside the European Union

To dispose of this product, please ask the ministry or your dealer for the necessary information on correct disposal.



The product meets the respective EU requirements. The CE symbol displayed on the unit, the user's manual and on the packaging shows that the unit meets the basic requirements of the R&TTE directive, 1995/5/EC, and the Low voltage directive 73/23/EEC. For the declaration of conformity, please refer to www.sencor.cz.

FAST ČR, a.s. hereby declares that the radio device type SSS 4201 conforms to the 2014/53/EU directive. For full version of the EU declaration of conformity, please refer to www.sencor.eu website.

Changes in the text, design and technical specifications may be made without prior notice and we reserve the right to make such changes.

The original version is in Czech.

Manufacturer's address: FAST ČR, a. s., U Sanitasu 1621, Říčany CZ-251 01

SENCOR®

EN Warranty conditions

Warranty card is not a part of the device packaging.

This product is warranted for the period of 24 months from the date of purchase to the end-user. Warranty is limited to the following conditions. Warranty is referred only to the customer goods using for common domestic use. The claim for service can be applied either at dealer's shop where the product was bought, or at below mentioned authorized service shops. The end-user is obligated to set up a claim immediately when the defects appeared but only till the end of warranty period. The end user is obligated to cooperate to certify the claiming defects. Only completed and clean (according to hygienic standards) product will be accepted. In case of eligible warranty claim the warranty period will be prolonged by the period from the date of claim application till the date of taking over the product by end-user, or the date the end-user is obligated to take it over. To obtain the service under this warranty, end-user is obligated to certify his claim with duly completed following documents: receipt, certificate of warranty, certificate of installation.

This warranty is void especially if apply as follows:

- Defects which were put on sale.
- Wear-out or damage caused by common use.
- The product was damaged by unprofessional or wrong installation, used in contrary to the applicable instruction manual, used in contrary to legal enactment and common process of use or used for another purpose which has been designed for.
- The product was damaged by uncared-for or insufficient maintenance.
- The product was damaged by dirt, accident of force majeure (natural disaster, fire, and flood).
- Defects on functionality caused by low duality of signal, electromagnetic field interference etc.
- The product was mechanically damaged (e.g. broken button, fall).
- Damage caused by use of unsuitable media, fillings, expendable supplies (batteries) or by unsuitable working conditions (e.g. high temperatures, high humidity, quakes).
- Repair, modification or other failure action to the product by unauthorized person.
- End-user did not prove enough his right to claim (time and place of purchase).
- Data on presented documents differs from data on products.
- Cases when the claiming product cannot be indentified according to the presented documents (e.g. the serial number or the warranty seal has been damaged).

Authorized service centers

Visit www.sencor.com for detailed information about authorized service centers.

