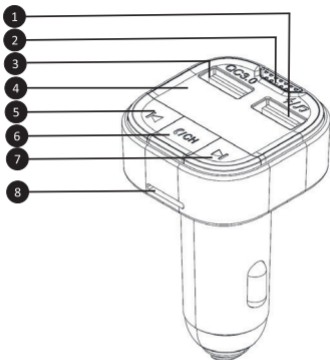




- |                                    |                              |
|------------------------------------|------------------------------|
| <b>EN ■ User Manual</b>            | <b>FM Modulator BT / MP3</b> |
| <b>CZ ■ Uživatelská příručka</b>   | <b>BT / MP3 FM modulátor</b> |
| <b>SK ■ Používateľská príručka</b> | <b>BT / MP3 FM modulátor</b> |
| <b>HU ■ Felhasználói kézikönyv</b> | <b>BT / MP3 FM modulátor</b> |
| <b>PL ■ Podręcznik użytkownika</b> | <b>BT / MP3 modulator FM</b> |

## DESCRIPTION OF EQUIPMENT



1	USB port for portable devices / slow charging
2	Microphone
3	USB charging port with QC 3.0 fast charging support
4	Display panel
5	Previous track / volume down
6	Change frequency / play / pause / answer call / call back / activate voice assistant

7	Next track / volume increase
8	Memory card slot

## SETTING UP AND PAIRING WITH FM RADIO

Before first use, be sure to read the safety instructions contained in this user's manual carefully. Connect the modulator to the car socket power supply (12 – 24 V). The first displayed value on the display panel indicates the voltage in the car's on-board network, for example 12 V. Tune in any unoccupied frequency on the car radio and tune in the same frequency on the modulator by pressing the "Change frequency" button (No. 6 on the figure). When this button is pressed, the frequency number on the modulator display will start flashing, the press the arrow buttons (No. 5 and 7 in the figure) to set the desired frequency matching the one of your FM car stereo.

## PAIRING VIA BLUETOOTH

Find the Bluetooth modulator name "SWM 4747" on your Bluetooth portable device to be paired (such as a mobile phone) and start the pairing process. If you are requested to enter a pairing code while your device and the modulator are being paired, use the following code: "0000".

**Note:** To ensure a stable Bluetooth connection, make sure that the distance between the modulator and your connected device is kept within 5m.

**Attention:** Some connected devices support common volume setting. If some of the connected devices do not support this feature, the volume setting will operate separately on each device.

## USB CHARGING INPUT

### **Slow charging:**

The USB input (No. 1 in the figure “Device description”) is mainly used for connecting USB flash drives with audio content. The port can also be used to charge a mobile device with a 5 V 1A charging limit.

### **Fast charging:**

This input (No. 3 in the figure “Device description”) is designed for connecting and charging portable devices. The USB charging port supports fast charging for mobile devices that have the QC 3.0 charging protocol option.

**Note:** Power supply cables of lower quality may cause playback interference when connected.

## INSERTING THE TF MEMORY CARD

Insert the TF memory card in the relevant slot (No.8 in the figure) so that the contacts face the control buttons and the modulator display. Carefully push the TF memory card with your nail or a flat tool until it clicks gently in place. To release the TF memory card, press it gently into the modulator with your fingernail or a flat tool and the card will release. While removing the TF memory card, hold it gently so that you can catch it after being released from the modulator.

## USB INPUT FOR PORTABLE DEVICES AND TF MEMORY CARD PLAYBACK

Once the USB flash drive is connected to the USB playback input (No. 1 in the figure) or the memory card is connected to the relevant slot (No. 8 in the figure), the modulator will recognize the device connection and search it for playable MP3/WMA/FLAC/WAV tracks. If it finds them, it will select this input and

start to playback these tracks. To select from the tracks being played, press the "Previous track" or "Next track" button (No. 5 and 7 in the figure). To pause/start playback, briefly press the "Playback/pause" button (No. 6 on the figure).

**Attention:** With respect to the variety of devices on the market, the compatibility and playability of all media is not guaranteed. Memory devices that you wish to connect should be tested in advance or formatted to the FAT32 file format. It may not be possible to playback protected media, files or content contained on them. Playback tested and unprotected media and content.

**Note:** Media with a power consumption greater than flash memory should only be connected only if they have a separate power supply. If the USB flash drive is bigger than 32 GB, e.g. 64 GB, format it to FAT32 and verify its compatibility and recognition by this device before use. If the device does not read the memory even though it should contain playable content, use a different card or memory/media type.

## **SELECTING THE PLAYBACK MEDIUM**

If you connect a mobile device to the modulator via Bluetooth and then insert a memory card or USB flash drive, the music will automatically start from the last inserted media. An incoming call interrupts music playing on the active media.

## **GOOGLE ASSISTANT / SIRI / BIXBY**

To call up Google Assistant / Siri / Bixby on your phone, press the Play / Pause / Answer Call / Call Back / Activate Voice Assistant button (No. 6 on the figure) 3 times. If the feature is available on your phone, the service will be announced.

## CALLING

If your mobile phone is paired to the modulator via Bluetooth connection, an incoming call will interrupt the music playback, then press the "Playback/pause" button (No. 6 in the figure) shortly to accept/end the call. To reject the incoming call, long-press the "Playback-pause" button. To start dialling the last call number, press the "Playback/pause" button twice shortly.

## VOLUME CONTROL

Press and hold the buttons (No. 5 and 7 in the figure) to change the playback volume level. To decrease the volume, use button No. 5, to increase the volume, use button 7.

**Note:** The resulting playback volume is influenced by the current volume setting on the modulator, car stereo and your portable device. To set optimal volume, it may be necessary to adjust the volume level on each of these devices.

## TECHNICAL SPECIFICATIONS SWM 4747

Bluetooth FM car modulator with QC3.0 fast charger  
QC3.0 quick charge port  
Active voice control via Siri/Google Assistant/Bixby  
Orange LED display

### **Charging:**

1x USB QC 3.0 18W (5V 3A / 9V 2A / 12V 1.5A)  
1x USB 1A

### **Inputs:**

Micro SD card (up to 32GB)  
USB port for music playback  
Bluetooth V5.0

### **Telephoning:**

Wireless hands-free support  
Built-in microphone for calls  
Supports call answering through car stereo  
Commands – Answer / Decline / Hang up / Callback

### **Other:**

Volume control  
Pause, previous/next functions  
Memory for last frequency, track number and volume  
Digital tuning and frequency display  
Support: MP3, WMA, FLAC, WAV  
Voltage meter in car power supply system  
FM transmission frequency range: 87.5–108 MHz  
Number of FM frequencies: 206  
Power supply: DC 12 / 24 V (car cigarette lighter)  
Dimensions: (W × H × D) 40 x 69 x 42 mm  
Weight: 32g

FM radio	Band range	87.5 Mhz – 108 MHz
Bluetooth	Version	5.0
	Maximum Transmitter Power	100mW @ 2.4GHz–2.4835GHz

## NOTICE

- This device's operating voltage is 12 V – 24 V. If the voltage is too high or too low, damage or failure to the device may occur.
- For safety reasons, always connect the USB flash drive or the memory card to the unit before connecting the unit to the car's cigarette lighter socket.
- This unit may not support all types of USB flash discs or memory cards.
- If the unit fails to read data from the USB flash drive or the memory card, please try to reinsert the USB flash drive/memory card or reconnect the unit to the lighter socket. If the problem persists, please use other USB flash drive or card.
- The car FM tuner frequency should be the same as the unit's frequency.
- Do not pull out or insert the USB flash drive/memory card while the unit is powered from the lighter. If you want to do so, first disconnect the unit from the socket and insert or remove the drive/card before reconnecting the unit to the power supply.
- If there are too many audio files stored on the USB flash drive or the memory card, their processing may be slow.



## **INSTRUCTIONS AND INFORMATION ON THE DISPOSAL OF DISCARDED PACKAGING MATERIALS**

Take the packaging material to a collection yard for disposal.

## **DISPOSAL OF DISCARDED ELECTRICAL AND ELECTRONIC EQUIPMENT**



This symbol on the product, accessory or packaging indicates that the product must not be treated as normal household waste. Please dispose of this product in a collection yard designated for the recycling of electrical and electronic equipment. In some EU countries or in some European countries, you can return your products to your local retailer when you buy an equivalent new product. Correct disposal of this product helps save valuable natural resources and prevents possible adverse impacts on the environment and human health that might be caused by improper waste disposal. Please contact your local authority or the nearest waste collection yard for further details. Improper disposal of this type of waste may be subject to a legal fine.

## **For companies in the European Union**

If you need to dispose of electrical or electronic equipment, ask your dealer or supplier for the necessary information.

## **Disposal in countries outside the European Union**

To dispose of this product, please ask your local authorities or dealer for the necessary information on correct disposal.



This product complies with EU requirements. FAST ČR, a.s. hereby declares that the SWM 4747 type device conforms to the 2014/53/EU Directive. For full version of the EU declaration of conformity, please refer to the [www.sencor.eu](http://www.sencor.eu) website.

Changes in the text, design and technical specifications may be made without prior notice and we reserve the right to make such changes.

The original version is in Czech.

Manufacturer's address:

FAST ČR, a. s., U Sanitasu 1621, Říčany CZ-251 01

# SENCOR®

## EN Warranty conditions

**Warranty card is not a part of the device packaging.**

This product is warranted for the period of 24 months from the date of purchase to the end-user. Warranty is limited to the following conditions. Warranty is referred only to the customer goods using for common domestic use. The claim for service can be applied either at dealer's shop where the product was bought, or at below mentioned authorized service shops. The end-user is obligated to set up a claim immediately when the defects appeared but only till the end of warranty period. The end user is obligated to cooperate to certify the claiming defects. Only completed and clean (according to hygienic standards) product will be accepted. In case of eligible warranty claim the warranty period will be prolonged by the period from the date of claim application till the date of taking over the product by end-user, or the date the end-user is obligated to take it over. To obtain the service under this warranty, end-user is obligated to certify his claim with duly completed following documents: receipt, certificate of warranty, certificate of installation.

### **This warranty is void especially if apply as follows:**

- Defects which were put on sale.
- Wear-out or damage caused by common use.
- The product was damaged by unprofessional or wrong installation, used in contrary to the applicable instruction manual, used in contrary to legal enactment and common process of use or used for another purpose which has been designed for.
- The product was damaged by uncared-for or insufficient maintenance.
- The product was damaged by dirt, accident of force majeure (natural disaster, fire, and flood).
- Defects on functionality caused by low duality of signal, electromagnetic field interference etc.
- The product was mechanically damaged (e.g. broken button, fall).
- Damage caused by use of unsuitable media, fillings, expendable supplies (batteries) or by unsuitable working conditions (e.g. high temperatures, high humidity, quakes).
- Repair, modification or other failure action to the product by unauthorized person.
- End-user did not prove enough his right to claim (time and place of purchase).
- Data on presented documents differs from data on products.
- Cases when the claiming product cannot be indentified according to the presented documents (e.g. the serial number or the warranty seal has been damaged).

### **Authorized service centers**

Visit [www.sencor.com](http://www.sencor.com) for detailed information about authorized service centers.

