



**SENCOR®**

SWK 1700

Prior to using this appliance, please read the user's manual thoroughly, even in cases, when one has already familiarised themselves with previous use of similar types of appliances. Use the appliance only as described in this user's manual. Store the user's manual in a safe place for future reference.

We recommend saving the original shipping cardboard box, packaging material, receipt and warranty for the period of the warranty at minimum. In case of transportation, pack the product using the original packaging materials only.

**CONTENTS**

Important safety instructions.....	2
Description of kettle.....	3
User's manual.....	4
Cleaning the kettle and filter.....	4
Technical specifications .....	5
Handling instructions for the disposal of used packaging material .....	5
Electronic and electric appliance disposal instructions.....	5


**IMPORTANT SAFETY INSTRUCTIONS****READ CAREFULLY AND SAVE FOR FUTURE USE**

This appliance is not intended for use by persons (including children) with reduced physical, sensory or mental capabilities, or lack of experience and knowledge, unless they have been given supervision or instruction concerning use of the appliance by a person responsible for their safety.

Children should be supervised to ensure that they will not play with the appliance.

Before connecting the appliance to the power point, make sure the voltage stated on the label corresponds with the voltage in your power point.

Only connect the stand for the kettle to a duly ground power point.

Never use the kettle in the near vicinity of a bath, shower or swimming pool. 

Never use accessories for this kettle, which have not been supplied with it, or that are not designed for this kettle.

Do not place the kettle on window sills or instable surfaces. Always place the kettle on a stable, flat, dry surface.

Make sure the electric cable and the electric plug can not come into contact with water or dampness.

Do not spray the kettle with water or any other liquid. Never rinse the kettle or its stand under running water nor submerge it or its stand under water or any other liquid.

The kettle is designed exclusively for use in households.

Do not use the kettle in an industrial environment, or outdoors.

Do not use sprays in the near vicinity of the kettle.

Do not allow children to use the kettle.

In case the kettle will be used near children, pay special attention and select an installation site that is located away from the reach of children.

If the kettle is not being used, store away from the reach of children. In case the kettle gets into the hands of a child without adult supervision, this may lead to the injury of the child or the damage of the kettle.

Always turn off the kettle and remove it from the electric socket, provided it will not be used and if it will be left without attendance, prior to assembly, disassembly or cleaning.

Do not place the kettle on electric, or gas burners or close by. Never place the kettle near an open fire, appliances or devices, which are a source of heat.

Do not use a damaged kettle, a kettle with a damaged electric cable, or with a damaged plug of the electric cable.

# Electric Kettle

SWK 1700

EN

In case the electric cable is damaged, have it replaced by an expert service. Do not use the appliance if it has a damaged electric cable/electric cable plug.

Do not place the electric cable of the appliance near hot surfaces, or over sharp objects. Do not place heavy objects on the cable, position the cable so that it is not stepped on, or tripped over. Make sure the power cable does not hang over the edge of a table, or that it does not touch a hot surface.

Do not disconnect the appliance from the power point by pulling the electric cable - it may damage the electric cable/power point. Disconnect the cable from the power point by gently pulling the plug of the electric cable.

Do not use the kettle for other purposes than it is intended for.

Only use the kettle with the stand, which is designed for this type of kettle and which is supplied with it. The stand supplied with this kettle is not to be used with other types of kettles.

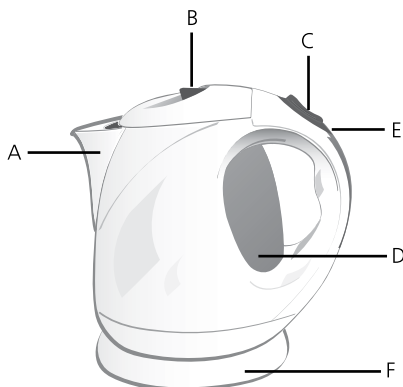
Warning! When boiling water in the stainless-steel kettle, the metal parts of the kettle become hot. Do not touch the hot surface, it could lead to a skin burn.

The electric kettle is protected against failure, when it is accidentally turned on without water.

Prior to first use, boil clean water in the kettle and empty the kettle. Repeat this process 5-6 times.

Use the Electric Kettle for the sole purpose of boiling water. **Warning! Never move the lid of the kettle, or open it while the water is boiling.**

## Description of kettle



- A - Spout with changeable filter
- B - Lockable lid
- C - Switch 0/1
- D - Water level indicator
- E - Turn on indicator
- F - Stand with central connector

## User's manual

Prior to use, remove all packaging material from the kettle. Set the required length of the electric cable. Press the electric cable into the groove in the stand.

Place the stand on a stable, flat and dry surface.

Fill the kettle with the required amount of water. You can fill the kettle by the spout, or by opening the lid. The water must cover the guideline minimum and must not exceed the guideline maximum.

**Warning! In case the kettle is overfilled, this can lead to the spurting of boiling water.**

Place the kettle on the detachable stand.

Insert the plug into the electric socket.

By shifting the switch into position I, the kettle will begin its function. Note: Prior to turning it on, make sure the lid is well shut.

As soon as the water is boiled, the kettle will be turned off automatically.

Prior to removing the kettle from the stand, make sure it has been automatically turned off first. In case it is not automatically turned off, turn it off manually.

The kettle is

- turned off, provided the switch is in position 0.
- turned on, provided the switch is in position 1.

After use, remove the electric cable from power point and let the kettle cool.

Never fill the kettle while placed on the removable stand.

Do not turn on the kettle and use it without water. Incorrect use may adversely affect the operation life of the appliance.

In case you accidentally turn on the kettle without water, the thermoregulator automatically cuts off the electric circuit once it has reached a certain temperature and the light control turns off. After several minutes, once the stainless-steel bottom has cooled, it is possible to use to kettle again.

## Cleaning the kettle and filter

The removable filter serves to hold back limestone and prevents it from getting into the cup when water is being poured. It is necessary to clean the filter under running water on a regular basis.

Remove limestone scales on a regular basis, at least 1 x month.

To remove limestone scales, you can use:

- 8 % white vinegar, readily available in shops. Fill the kettle with ½ l of vinegar and let it stand for 2 hours. Then empty the kettle and boil clean water 4-5 times prior to use.

- citric acid. Boil ½ l of water in the kettle, add 30 g of citric acid and let it stand for 30 minutes. Then empty the kettle and boil clean water 4-5 times prior to use.

To clean the exterior part of the kettle use a dry cloth or a cloth dampened in a weak solution of neutral dish liquid.

To clean the stand, only use a dry cloth.

To clean the kettle, its components or accessories, never use cleaning agents that cause scratches, gas, thinners, etc.

## Technical specifications

230 V ~ 50 Hz, 2000 W

Volume 1.7 l

## Handling instructions for the disposal of used packaging material

Dispose of the packaging material in the designated place for waste disposal.

## DISPOSAL OF USED ELECTRICAL AND ELECTRONIC APPLIANCES



The meaning of the symbol on the product, its accessory or packaging indicates that this product shall not be treated as household waste. Please, dispose of this product at your applicable collection point for the recycling of electrical & electronic equipment waste. Alternatively in some states of the European Union or other European states you may return your products to your local retailer when buying an equivalent new product. The correct disposal of this product will help save valuable natural resources and help in preventing the potential negative impact on the environment and human health, which could be caused as a result of improper liquidation of waste. Please ask your local authorities or the nearest waste collection centre for further details. The improper disposal of this type of waste may fall subject to national regulations for fines.

### For business entities in the European Union

If you wish to dispose of an electrical or electronic device, request the necessary information from your seller or supplier.

### Disposal in other countries outside the European Union

If you wish to dispose of this product, request the necessary information about the correct disposal method from local government departments or from your seller.



This product meets all the basic EU regulation requirements that relate to it.

Changes to the text, design and technical specifications may occur without prior notice and we reserve the right to make these changes.