

Vacuum Cleaner

User's manual

EN



SENCOR®

SVC 660SL / SVC 660RD

Before first use, please read all instructions contained in this user's manual carefully, even if you are already familiar with the use of similar products. Only use this product in accordance with the instructions described in the user's manual. Keep the user's manual in a safe place where it can be easily retrieved for future use.

Keep the original packaging, including the internal packing material, warranty card and proof of purchase receipt, at least for the duration of the warranty. If you need to ship this product, pack it in the original cardboard box to ensure maximum protection during shipping or transport (e.g. when moving or when you need to send this product for repair).

Vacuum Cleaner

SVC 660SL / SVC 660RD

CONTENTS

IMPORTANT SAFETY NOTICE	3
DESCRIPTION	4
ASSEMBLY	5
INSTRUCTIONS FOR USE	5
STORAGE OF VACUUM CLEANER	6
CLEANING AND MAINTENANCE	7
TROUBLESHOOTING	8
TECHNICAL SPECIFICATIONS	9
PACKAGE CONTENTS	9
DISPOSAL OF USED ELECTRICAL AND ELECTRONIC DEVICES	10
INSTRUCTIONS AND INFORMATION REGARDING THE DISPOSAL OF USED PACKAGING MATERIALS ..	10

IMPORTANT SAFETY NOTICE

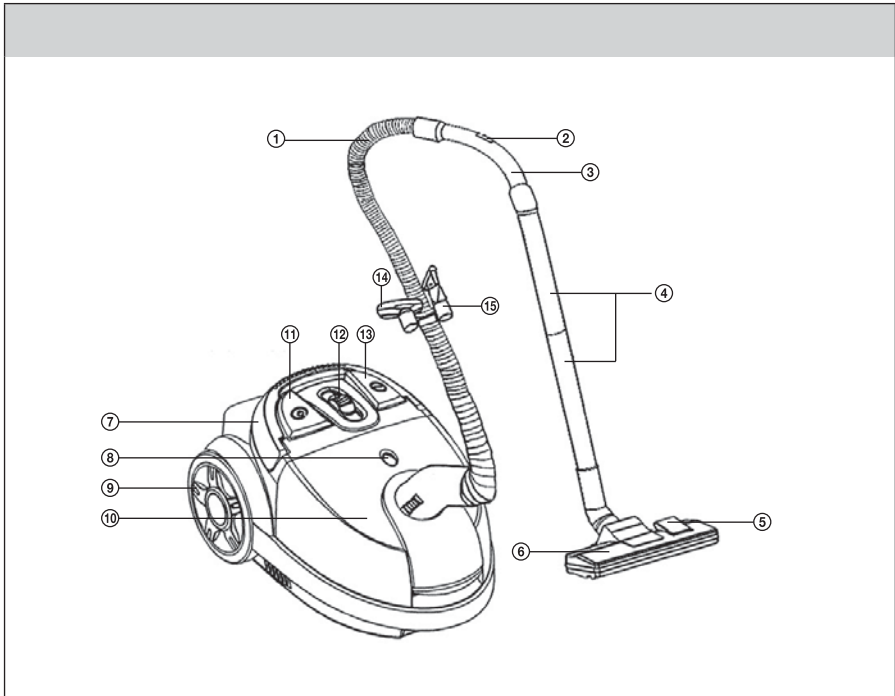
- 1) Carefully unpack the product and take care not to throw away any part of the packaging before you find all the parts of the product.
- 2) This product must not be used by persons (including children) with physical or mental impairments or by inexperienced persons, unless properly trained or schooled in the safe use of the appliance, or unless they have been properly supervised by a qualified person who will be responsible for their safety.
- 3) Never use accessories that have not been delivered with this product or are not intended for it.
- 4) Under no circumstances should you try to repair or amend the appliance on your own – danger of electric shock! Entrust all repairs and adjustments to a specialised company/service. Failure to do so will void the warranty.
- 5) Only store and use the appliance away from flammable or volatile materials and solutions.
- 6) Do not expose the product to extreme heat, direct sunlight or excessive humidity.
- 7) Do not place the product near heaters, open fires or other appliances or equipment that are sources of heat.
- 8) This product is designed for household use. Do not use in industrial surroundings or outdoors!
- 9) Do not use the product for other purposes than those intended.
- 10) Before connecting the product to the power outlet ensure that the voltage on the label is the same as that in the power outlet.
- 11) Do not place the power cord near hot surfaces, or over sharp objects. Do not place heavy objects on the power cord. Place the power cord in such a way that no one will step on it or trip over it. Make sure the power cord is not touching a hot surface.
- 12) If the appliance's power cord is damaged, have an authorised service or qualified person replace it, in order to prevent hazards. It is forbidden to use the product if it has a damaged power cord or power plug.
- 13) Do not disconnect the electrical plug from the wall outlet by pulling on the cord.
- 14) Do not spray the appliance with water or any other liquid. Do not pour water or any other liquids into the product. Do not submerge the product in water or any other liquid.
- 15) Never use the product near a bathtub, wash basin or any other container filled with water.
- 16) If you are not using the product, or if you know that you will not be using it soon, turn it off and disconnect the power cord from the wall socket. Prior to cleaning, proceed in the same manner.
- 17) Never leave the appliance switched on without supervision.
- 18) Use extra care if the product is used near children. Always keep the product out of the reach of children. Children must be supervised to ensure that they do not play with the product.
- 19) If the product is being used, do not block the air input and output openings. Blocked air vents can cause overheating and motor damage.
- 20) Vacuuming the below mentioned objects can damage your product or cause injuries to the operating person:
 - wet floor, water or other liquids
 - any type of sharp objects such as broken glass or ceramics, needles, pins, etc.
 - burning cigarettes, or smouldering pieces, matches or any other flammable or volatile liquids (e.g. gasoline, paint thinners, etc.)
 - flour, cement, plaster or dust from holes drilled in walls
- 21) In order to avoid damages to furniture or injuries to persons, hold the cable in your hand as it winds up.
- 22) Pulling the power cord from the wall power outlet by force may cause damage.
- 23) Do not vacuum large pieces of paper or plastic bags. They can easily block the pipe or hose. If the product becomes blocked, turn it off by disconnecting the power cord from the socket and clean the pipe or hose.
- 24) In order to avoid damage to the hose, do not step on it or forcefully bend it. Do not use the vacuum cleaner if the hose is bent or damaged in any way.
- 25) Do not move over the power cord with the vacuum cleaner.

Vacuum Cleaner

SVC 660SL / SVC 660RD

- 26) Never use the vacuum cleaner without the protective motor filter, the output filter, the dust bag or the HEPA filter.
- 27) Do not place the vacuuming hose, inlet nozzle or vacuuming accessories near to your eyes or ears.
- 28) Vacuuming of some types of floors or floor tiles can create a static electricity charge, which is not dangerous for the user.
- 29) The manufacturer is not responsible for damages caused by incorrect use of this appliance or its accessories. Such damages include food spoilage, injuries, burns, scalding, fire, etc.

DESCRIPTION



- | | |
|----------------------------------|-----------------------------------|
| ① hose | ⑨ wheel |
| ② adjusting the suction strength | ⑩ dust bag area cover |
| ③ handle | ⑪ cable winding button |
| ④ telescopic tube | ⑫ motor output control |
| ⑤ floor inlet nozzle flap | ⑬ START/STOP button |
| ⑥ floor inlet nozzle | ⑭ cushion nozzle |
| ⑦ handle | ⑮ narrow slot nozzle with a brush |
| ⑧ full bag indicator | |

ASSEMBLY

Insert the hose into the air suction opening

Press both the safety buttons on the end of the hose end and insert the hose end into the air suction opening on the vacuum cleaner until you hear a "click". The hose is now secured in the correct position.

Attach the holder to the telescopic tube

Make sure to install the holder on the wider part of the telescopic tube.

Attach the floor inlet nozzle to the telescopic tube:

Make sure to install the floor nozzle on the narrower part of the telescopic tube.

Adjust the length of the telescopic tube

Adjust the length of the telescopic tube as follows: Move and hold the button on the tube forward as shown by arrows and adjust the length of the tube as needed. Then release the button and move the tube a little bit forward until you hear "click". The telescopic tube is now securely set in position.

INSTRUCTIONS FOR USE

Connecting your vacuum cleaner to the power source – socket

Pull the plug of the supply cable from the vacuum cleaner until the desired length of the cable is out of the appliance. Insert the plug into the wall outlet.



Caution:

Yellow marking on the power cord warns that the cord is close to its end. Do not pull the cable more than to the red marking.

Adjusting the floor inlet nozzle according to the floor surface.

You may set the inlet nozzle according to the floor surface by adjusting the inlet flap:

- If you want to vacuum carpets, close the bristles of the inlet inside the inlet nozzle, by turning the flap accordingly.
- If you want to vacuum hard and smooth surface, move the bristles out of the nozzle, by turning the flap accordingly.

Turning your vacuum cleaner on and off

To switch your machine on or off, press the START / STOP button on the vacuum cleaner body.

Adjusting the suction strength

The suction strength may be adjusted by moving the rider on the vacuum cleaner body (small range) or by the moveable rider on the hose handle.



Tip:

If the hose holder becomes blocked when vacuuming, disconnect it from the telescopic tube and also disconnect the hose from the vacuum cleaner body. Then place the holder inside the suction hole on the vacuum cleaner body and vacuum the stuck dirt out.

Temporary interruption of the vacuuming process

If you want to temporarily stop the vacuuming process, place the telescopic tube using the notches on the floor hose into one of the parking positions – at the back or bottom of the vacuum cleaner.

Vacuum Cleaner

SVC 660SL / SVC 660RD

**Caution:**

Do not move the vacuum cleaner from place to place if the hose is in the parked position! You may brake off the parking position holder!

Using your accessories

You may place the supplied narrow slot nozzle and cushion nozzle into the integrated accessory holder attached to the hose.

- The narrow slot nozzle may be used to vacuum in hard-to-reach spaces such as window frames, libraries, upholstery corners, joints, etc. By turning the narrow slot nozzle brush a higher suction power is achieved (suitable for example for vacuuming of hard to reach places on couches and armchairs)
- The cushion nozzle may be used for vacuuming of bed linens, upholstered furniture, etc.

Ending the vacuuming process

When you finish vacuuming, switch the vacuum cleaner off by pressing the START/STOP button and then disconnect the power cord plug from the socket.

To wind the power cord back into the vacuum cleaner, press and hold the winding button with one hand. Hold the cable with your other hand to protect the vacuum cleaner input area from damage.

**Tip:**

If the winding process stops and part of the power cord is still outside, release the winding button and pull the cable out again by about 50 cm and press the winding button again and repeat the winding process.

Carrying your vacuum cleaner

If you need to carry the vacuum cleaner, hold it only by the handle.

STORAGE OF VACUUM CLEANER

Before storage you may disassemble your vacuum cleaner into its individual parts or you may store it assembled with the telescopic tube stored in one of the "parking" positions (the rear or bottom position).

CLEANING AND MAINTENANCE



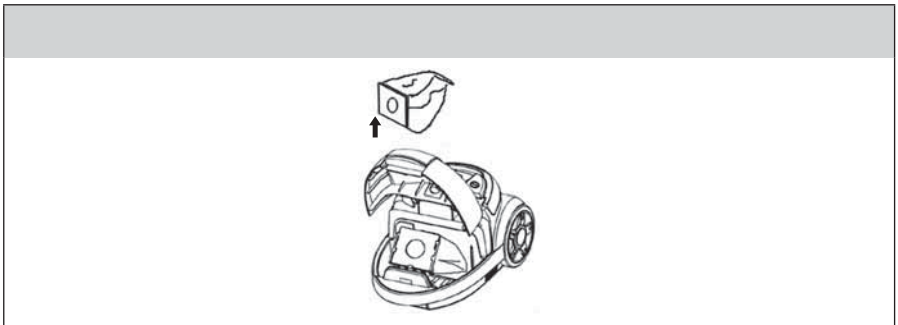
Caution:

Always remove the power cord from the power socket before cleaning.

Changing the dust bag

If while the suction hose is lifted above the vacuumed area and the power is set to maximum and the indicator seen through the clear window shows "full" (full colour in the indicator) then it is necessary to replace the dust bag:

- 1) Open the vacuum cleaner cover.
- 2) Remove the old dust bag from the plastic holder.
- 3) Insert a new one in the same position.
- 4) Close the vacuum cleaner cover.



Caution:

Never attempt to wash paper bags as they are single use only and once full are to be disposed of together with household waste. It is only possible to wash textile bags!

Replacing the inlet foam filter

- 1) Open the vacuum cleaner cover and take out the frame with the inflow filter.
- 2) Replace the plastic foam inflow filter with a new one and together with the frame put it back into the vacuum cleaner.



Vacuum Cleaner

SVC 660SL / SVC 660RD

Changing the outlet filter

- 1) Press the safety lock to open the frame of the outflow filter.
- 2) Remove the filter from the plastic frame and replace with a new one.
- 3) Place the new filter together with the plastic frame back in the vacuum cleaner.



To clean the outer parts of the product, use a soft cloth dipped in lukewarm water. Do not use harsh cleaning fluids, paint thinners or solvents. These can damage the surface of the product.

TROUBLESHOOTING

Before you decide to contact an authorized service centre, please read the following tips in the troubleshooting chart:

Problem	Possible cause	Recommended action
The motor will not start	<ul style="list-style-type: none"> – The power cord is not connected correctly to the wall power outlet. – The wall power outlet is damaged. – The vacuum cleaner is not switched on. 	<ul style="list-style-type: none"> – Insert the plug firmly into the power socket – Inspect the power socket – Turn on the vacuum cleaner.
The suction output is weak	<ul style="list-style-type: none"> – The dust bag is completely full. – The vacuum cleaner is clogged. – The filter is clogged. 	<ul style="list-style-type: none"> – Change the dust bag – Remove the blockage or foreign object – Clean the filter.
The power cord is not wound in completely.	The power cord may have slipped down from the winding pulley during winding.	Hold the cable under tension while winding the cable.
The cable cannot be pulled out.	The cable is wound up incorrectly.	Press the winding button of the self winding cable and try to rewind the power cord again
The output control does not function.	The vacuum cleaner is out of order.	Have the vacuum cleaner repaired (only by a qualified technician)
The power cord starts to wind in when it is not required.	The winding mechanism is damaged.	Have the vacuum cleaner repaired (only by a qualified technician)
The vacuum cleaner cover cannot be closed.	The dust bag is not inserted, or is inserted incorrectly.	Check the position of the dust bag in the plastic holder, or insert a new bag.

Vacuum Cleaner

SVC 660SL / SVC 660RD

EN

TECHNICAL SPECIFICATIONS

Voltage	220–240 V AC (alternate current)
Nominal frequency	50 Hz
Rated power input	1400 W
Maximum input	1600 W
Suction output	260 W
Safety class (with regard to electric shock protection)	II
Noise level	<71 dB(A)
Supply cable length	5 m
Operational range	7,5 m
Dimensions (length x width x height)	394 x 275 x 213 mm
Weight	5.3 kg

The declared noise emission level for this appliance is 71 dB(A), which represents level A of the acoustic power relative to the reference acoustic power of 1 pW.

PACKAGE CONTENTS

- 1x vacuum cleaner
- 1x floor inlet nozzle
- 1x telescopic tube
- 1x hoses with an integrated accessory holder
- 1x narrow slot nozzle
- 1x cushion nozzle
- 1x textile dust bag
- 1x inflow filter
- 1x outflow filter
- 1x user's manual
- 1x warranty card

Changes in text and technical parameters reserved.

INSTRUCTIONS AND INFORMATION REGARDING THE DISPOSAL OF USED PACKAGING MATERIALS

Dispose of packaging material at a public waste disposal site.

DISPOSAL OF USED ELECTRICAL AND ELECTRONIC APPLIANCES



The meaning of the symbol on the product, its accessory or packaging indicates that this product shall not be treated as household waste. Please, dispose of this product at your applicable collection point for the recycling of electrical & electronic equipment waste. Alternatively in some states of the European Union or other European states you may return your products to your local retailer when buying an equivalent new product. The correct disposal of this product will help save valuable natural resources and help in preventing the potential negative impact on the environment and human health, which could be caused as a result of improper liquidation of waste. Please ask your local authorities or the nearest waste collection centre for further details. The improper disposal of this type of waste may fall subject to national regulations for fines.

For business entities in the European Union

If you wish to dispose of an electrical or electronic device, request the necessary information from your seller or supplier.

Disposal in other countries outside the European Union

If you wish to dispose of this product, request the necessary information about the correct disposal method from local government departments or from your seller.



This product meets all the basic EU regulation requirements that relate to it.

Changes to the text, design and technical specifications may occur without prior notice and we reserve the right to make these changes.