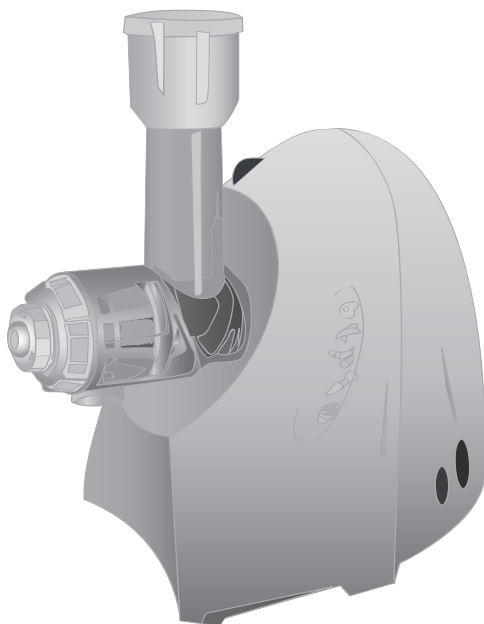


# Juicer Attachment

User's manual

EN



**SENCOR®**

SJA 4380

Prior to using this appliance, please read the user's manual thoroughly, even in cases, when one has already familiarised with previous use of similar types of appliances. Use the appliance only as described in this user's manual. Store the instruction manual in a safe place for future reference.

We recommend saving the original shipping cardboard box, packaging material, receipt and warranty for the period of the warranty at minimum. In case of transportation, pack the product using the original packaging materials only.

## **IMPORTANT SAFETY INSTRUCTIONS READ THOROUGHLY AND STORE FOR FUTURE USE**

This appliance is not intended for use by persons (including children) with reduced physical, sensory or mental capabilities, or lack of experience and knowledge, unless they have been given supervision or instruction concerning use of the appliance by a person responsible for their safety.

Children should be supervised to ensure that they will not play with the appliance.

Make sure that the voltage indicated on the appliance corresponds to the local mains voltage before you connect the appliance.

The appliance has been designed only for household use and for preparation of common quantity of food. Do not use the appliance for commercial use.

Do not use the appliance outdoors.

Do not use the appliance with your wet hands.

Keep the appliance out of extreme heat and moisture. In no cases immerse the motor unit into water or any other liquid, nor rinse it under the tap. In case of immersing the motor unit in water, remove immediately the plug from socket.

Always unplug the appliance when leaving unattended, before assembling, disassembling or cleaning. When replacing the accessories or other parts that move while using or before disassembling the appliance wait until the movable parts stop.

Use only original accessories with the appliance. Never use other accessories from other manufactures.

Before you use the appliance for the first time clean thoroughly the appliance and the accessories that will come into contact with food.

Never use your fingers or other objects to push ingredients down the food tube while the appliance is running. Only the pusher is to be used for this purpose.

Do not attempt to grind bones, nuts or other hard items.

Never use the appliance continuously for more than 3 minutes.

### **Warning!**

Do not use this appliance with programmer, timer or any other similar part that turn on the appliance automatically in order to avoid the risk of dangerous situation.

Never try to use the appliance when empty. Incorrect usage of the appliance can have a bad impact on the durability.

Do not use the appliance if it is damaged, appliance with damaged supply cord or plug.

In case the electric cable is damaged, have it replaced by an expert service.

In no case do the repairs or make alternations on the appliance by yourselves – risk of electric shock!

All repairs and settings have to be done by a professional authorised service or agent. Doing so during the validity of warranty you risk lost of the warranty.

# Juicer Attachment

SJA 4380

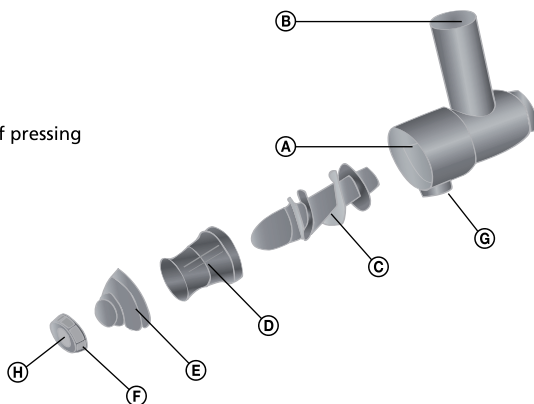
EN

Do not place the electric cable of the appliance near hot surfaces, or over sharp objects. Do not place heavy objects on the cable, position the cable so that it is not stepped on, or tripped over. Make sure the power cable does not hang over the edge of a table, or that it does not touch a hot surface.

Do not disconnect the appliance from the power point by pulling the electric cable - it may damage the electric cable/power point. Disconnect the cable from the power point by gently pulling the plug of the electric cable.

## DESCRIPTION OF THE JUICER ATTACHMENT

- A. Juicing chamber
- B. Filling opening
- C. Spiral shaft
- D. Stainless steel sieve
- E. Fastening nut
- F. Screw for regulating the intensity of pressing
- G. Opening for the juice spout
- H. Opening for the waste spout (pulp)

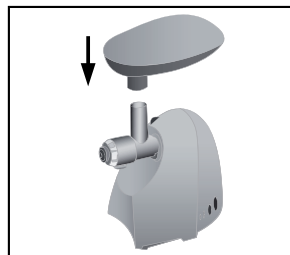
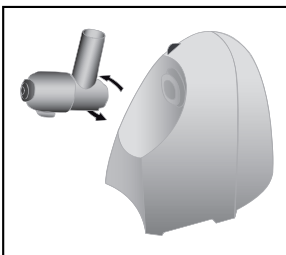
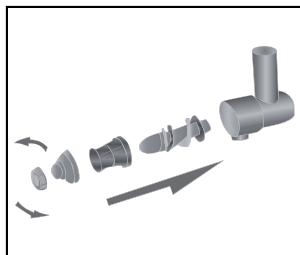


## JUICER ATTACHMENT ASSEMBLY

Insert the spiral shaft into the juicing chamber. Place the stainless steel sieve on the spiral shaft. Using the fastening nut attach to the juicing chamber so that the offsets on the juicing chamber and the fastening nut fit into each other. Turn the fastening nut in the direction of the "CLOSE" inscription located on the juicing chamber. Place a screw for the regulation of juicing intensity on the fastening nut.

Attach the attachment assembled in this way to the motor unit of the meat mincer SMG 4380 SENCOR. Attach the bowl (part of the standard accessories to the meat mincer SMG 4380 SENCOR) to the filling opening of the juicing chamber.

To disassemble proceed in the opposite manner.



# Juicer Attachment

SJA 4380

## OPERATION OF THE JUICER ATTACHMENT

This attachment makes it possible to press juice from soft fruit (berry plants and citrus fruit) and vegetables (e.g. tomatoes).

Note. Before you begin to press, it is necessary to remove the peel from citrus fruits.

Under the juice spout place a container for the juice and under the waste spout place a container to catch waste (fruit pulp). Insert the plug of the power cord from the meat mincer SMG 4380 into an electric socket. Press the ON/OFF button to turn on the motor of the unit.

The screw for regulating the juicing intensity can be set in the range 0–1–2.

Place soft fruit / vegetables gradually into the filling opening and lightly push down using the plunger supplied as a standard accessory of the meat mincer SMG 4380 SENCOR.

Never use your fingers, a fork, a knife or other items to push ingredients through the filling opening while the device is running. The plunger is intended for this purpose.

Do not attempt to process hard ingredients using the juicer attachment.

To turn off the device press the ON/OFF button.

**If the opening becomes clogged, it is necessary to:**

- turn off the motor unit and disconnect from the power socket;
- open the screw until the spout is fully open to release the pressed foods;
- remove and clean the juicer attachment.

The amount of juice gained depends on the quality of the processed fruits / vegetables.

## DISASSEMBLE AND CLEANING

Before you begin to clean, turn off the device using the ON/OFF button and pull the plug out of the power socket. Remove the plunger from the filling opening and remove the filling bowl.

Press the release button and using your other hand hold the filling opening and by turning it in a clock-wise direction remove the juicing chamber.

Disassemble the attachment. Wash the disassembled attachment in hot water using detergent for dishwashing or wash in a dishwasher.

Never dry plastic parts under a heat source (e.g. stove oven, electric stove).

**Store packaging materials like plastic bags outside the reach of children. Danger of suffocation. Do not allow children to play with them.**

## INSTRUCTIONS AND INFORMATION REGARDING THE DISPOSAL OF USED PACKAGING MATERIALS

Dispose of packaging material at a public waste disposal site.

## DISPOSAL OF USED ELECTRICAL AND ELECTRONIC APPLIANCES



The meaning of the symbol on the product, its accessory or packaging indicates that this product shall not be treated as household waste. Please, dispose of this product at your applicable collection point for the recycling of electrical & electronic equipment waste.

Alternatively in some states of the European Union or other European states you may return your products to your local retailer when buying an equivalent new product. The correct disposal of this product will help save valuable natural resources and help in preventing the potential negative impact on the environment and human health, which could be caused as a result of improper liquidation of waste. Please ask your local authorities or the nearest waste collection centre for further details.

The improper disposal of this type of waste may fall subject to national regulations for fines.

### For business entities in the European Union

If you wish to dispose of an electrical or electronic device, request the necessary information from your seller or supplier.

### Disposal in other countries outside the European Union

If you wish to dispose of this product, request the necessary information about the correct disposal method from local government departments or from your seller.



This appliance complies with EU rules and regulations regarding electromagnetic and electrical safety.

Changes to the text, design and technical specifications may occur without prior notice and we reserve the right to make these changes.