

Cosmetic mirror

Instruction manual

EN



SENCOR[®]

SMM 3080

Before using the cosmetic mirror, please read the user's manual thoroughly, even if you are already experienced in using similar appliances. Use the cosmetic mirror only as described in this manual. Keep this manual for later use.

CONTENTS

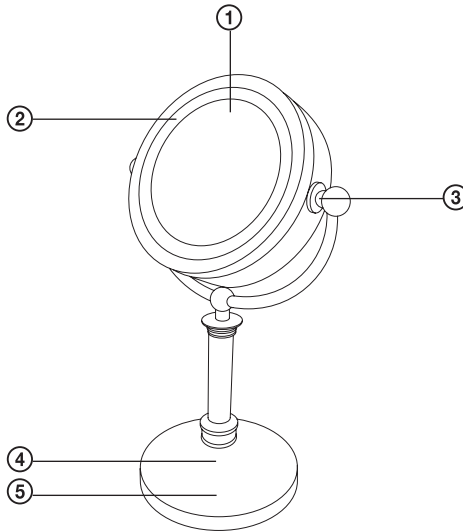
IMPORTANT SAFETY INSTRUCTIONS.....	3
DESCRIPTION OF COSMETIC MIRROR.....	4
FEATURES.....	5
USING THE COSMETIC MIRROR.....	5
MAINTENANCE AND CLEANING.....	5
STORAGE.....	5
TECHNICAL DETAILS.....	6
INSTRUCTIONS AND INFORMATION REGARDING THE DISPOSAL OF USED PACKAGING MATERIALS.....	6
DISPOSAL OF USED ELECTRICAL AND ELECTRONIC EQUIPMENT.....	6

IMPORTANT SAFETY INSTRUCTIONS

READ CAREFULLY AND STORE FOR FUTURE USE.

- This product is not intended for persons (including children) with physical or mental impairments or for inexperienced persons, unless properly trained in the use of this cosmetic mirror, or unless supervised by a qualified person who will be responsible for their safety.
- Children must be supervised to ensure that they do not play with the mirror.
- Before plugging the mirror into the electrical socket, make sure the voltage stated on the label of the appliance corresponds to the voltage in your wall socket.
- Use the mirror only for the purposes for which it was designed and in the manner described in this user's manual.
- This product is designed only for domestic use. Do not use the product outdoors.
- Use the mirror on a flat, stable surface.
- Do not submerge the mirror or its parts in water or any other liquid, and do not rinse it with running water.
- Do not place or use the mirror near a bathtub, wash basin or in any place where it may fall into water.
- Do not leave the mirror unattended if it is plugged into the electrical socket.
- After you finish using the mirror, or before you clean it, unplug it from the electrical socket.
- Do not place the mirror in direct sunlight. Sunbeam reflection may cause a fire.
- Do not place the power cord near hot surfaces or across sharp objects. Do not place heavy items on the power cord. Position the power cord so that it will not be stepped on or tripped over.
- If you are using the mirror in the bathroom, as additional protection we recommend installing a residual current device (RCD) with a nominal trigger current no higher than 30mA.
- Do not plug the mirror into the electrical socket if the power cable or pug is damaged, if the mirror is damaged or if it has been dropped on the floor. To prevent hazards, all repairs to the mirror or replacement of a damaged power cord must be performed only by an authorised service centre or another similarly qualified person.

DESCRIPTION OF COSMETIC MIRROR



- ① Two-sided mirror
- ② LED illumination
- ③ Hanging the mirror
- ④ Touch lighting control
- ⑤ Stand

FEATURES

Two-sided mirror

- one standard mirror surface without magnification
- second mirror surface with triple magnification

Setting the mirror to the desired angle

The mirror is hung for easy 360° rotation to the desired angle.

LED illumination

Touch control allows the mirror's lighting to be regulated at three different levels — low, medium and high intensity.

The cosmetic mirror is illuminated by an LED light source. The LED light source is characterized by low energy consumption and long life.

USING THE COSMETIC MIRROR

- 1) Remove the mirror from the packing material.
- 2) Choose the side of the mirror that you want to use. You can choose between the standard mirror without magnification or a triple magnification mirror.
- 3) Set the mirror to the desired angle.
- 4) Plug the power cord into the electric socket.
- 5) Touch the stand once to light up the mirror. The mirror will be lit at low intensity. To light the mirror at medium intensity, touch the stand a second time, and a third time for high intensity.
- 6) To turn the mirror's light off, touch the stand one more time.
- 7) After every use, turn off the mirror's lights and unplug the mirror from the electrical socket.

MAINTENANCE AND CLEANING

Before cleaning, turn off the mirror's lights and unplug it from the electrical socket. Use a dry, soft cloth to clean the mirror. For heavier cleaning, wipe the mirror with a slightly moist cloth and then polish it with a dry cloth.

Do not use chemical or abrasive cleaning agents. Otherwise the surface may be damaged.

STORAGE

Store the mirror away from direct sunlight. Sunbeam reflection may cause a fire.

TECHNICAL SPECIFICATIONS

Nominal voltage.....	220–240 V
Nominal frequency.....	50/60 Hz
Rated power.....	MAX 5 W
Light source.....	LED
Level of protection from solid foreign objects or water.....	IP20
Safety class (for electric shock protection).....	II

Glossary of technical terms

IP code:

The first digit indicates the level of protection against entry of dust and solid foreign objects.

IP2X – The lamp is protected against solid foreign objects larger than 12 mm.

The second digit indicates the level of protection against water penetration.

IPX0 – The lamp is not protected against water penetration (no special protection).

Safety class for electric shock protection:

Class II - Electric shock protection is provided by double or heavy-duty insulation.

We reserve the right to change text and technical specifications.

INSTRUCTIONS AND INFORMATION REGARDING THE DISPOSAL OF USED PACKAGING MATERIALS

Take the packaging material to a designated municipal waste facility.

DISPOSAL OF USED ELECTRICAL AND ELECTRONIC EQUIPMENT



This symbol on products or original documents means that used electric or electronic products must not be added to ordinary municipal waste. For proper disposal and recycling, take these products to designated collection points. Alternatively, in some European Union states or other European countries you may return your appliances to the local retailer when buying an equivalent new appliance. Correct disposal of this product helps save valuable natural resources and prevents damage to the environment caused by improper waste disposal. Ask your local authorities or collection facility for more details. In accordance with national regulations penalties may be imposed for the incorrect disposal of this type of waste.

For business entities in European Union states

If you want to dispose of electric or electronic devices, ask your retailer or supplier for the necessary information.

Disposal in countries outside the European Union.

This symbol is valid in the European Union. If you wish to discard this product, ask your local authorities or retailer about proper disposal.



This appliance meets all the basic requirements of EU directives that apply to it.