

Microwave oven

OPERATING INSTRUCTIONS

EN



SENCOR[®]

SMW 3720

Before installation and operation of the microwave oven, please carefully read this user's manual. Store the manual for future reference.

EN-1

CONTENTS

IMPORTANT SAFETY INSTRUCTIONS	3
EARTHING INSTRUCTIONS	4
RADIO WAVE INTERFERENCE	4
INSTALLATION	4
DESCRIPTION OF THE MICROWAVE OVEN	5
CONTROL BUTTON FUNCTIONS.....	7
THE BASICS OF COOKING IN A MICROWAVE OVEN	7
USING THE CORRECT KITCHEN DISHES	7
OPERATING INSTRUCTIONS FOR THE MICROWAVE OVEN	9
CLEANING AND MAINTENANCE.....	12
BEFORE YOU CONTACT AN AUTHORISED SERVICE.....	13
TECHNICAL DETAILS	13
DISPOSAL OF USED ELECTRICAL AND ELECTRONIC EQUIPMENT.....	14

IMPORTANT SAFETY INSTRUCTIONS READ CAREFULLY AND STORE FOR FUTURE USE.

While operating the microwave oven basic provisions must always be adhered to, including the following: This appliance may not be used by any persons (including children) with mental disabilities, weak strength or by inexperienced persons, unless they have been properly trained or schooled in the safe use of the product, or unless they are properly supervised by a qualified person who is responsible for their safety. Children must be supervised to ensure that they do not play with the product.



WARNING:

To limit the risk of a fire hazard, electric shock, injury or exposure to excessive amounts of microwave energy:

- 1) Before using this appliance read all the instructions.
- 2) Only use the appliance for the purposes for which it was designed and in the manner described in this user's manual. This oven is designed only to heat, cook or dry food. It is not designed for industrial or laboratory purposes. Do not use caustic chemicals on this appliance.
- 3) Do not attempt to use the microwave oven with the door open. You could expose yourself to the effect of microwaves. Do not run the microwave oven when it is empty.
- 4) Do not use this oven if the power cord or power plug is damaged, if it is not working correctly, if it is damaged or if it has been dropped on the floor. Any repair of the microwave oven or replacement of a damaged power cord may only be carried out by an authorised service centre or another similarly qualified person, as this will prevent causing a dangerous situation.
- 5) **WARNING:** If the door or the door seal is damaged then the oven must not be used until repaired by an authorised service centre or qualified person.
- 6) **WARNING:** It is dangerous for anybody other than an authorised service centre or qualified person to carry out any repairs or maintenance whatsoever that leads to the removal of any cover providing protection from microwave energy radiation.
- 7) **WARNING:** The use of the oven by unsupervised children is only permitted when sufficient instructions were given, so that the child is able to use the oven in a safe manner and understands the danger resulting from incorrect use.
- 8) To limit the risk of a fire starting inside the oven:
Use only kitchen dishes suitable for use in microwave ovens. When heating food in plastic or paper dishes, regularly check the oven to prevent it catching on fire.
- 9) If you notice smoke, turn off the appliance and disconnect the power plug from the socket. Leave the oven door closed to prevent potential fire from spreading.
- 10) If you are not using the oven do not leave paper materials, kitchen dishes or food inside.
- 11) **WARNING:** Liquids or other foods must not be heated in closed containers, because they lead to an explosion.
- 12) Heating of beverages in the microwave may cause a delayed boil and so you should be careful when handling containers and dishes.
- 13) Do not fry food in the microwave oven. Hot oil may damage parts of the oven, dishes or may also cause skin burns.
- 14) Eggs in their shells and whole hard boiled eggs must not be heated in the microwave oven because they could explode.
- 15) Before cooking prick foods with a thick peel, such as potatoes, pumpkins, apples and chestnuts.
- 16) The content of baby bottles and baby food needs to be mixed or shaken before being served to the infant and the temperature needs to be checked to prevent burns.
- 17) Kitchen dishes may become hot as a result of the heat transferred from the heated food. Sometimes it may be necessary to use protective gloves.
- 18) **IMPORTANT** - kitchen dishes and utensils, which must not be used in the microwave oven:
 - metal pans and crockery with metal handles or with metal decorations
 - clamps on plastic bags
 - dishes with melamine surface treatment
 - standard thermometers, which are used for measuring the temperature of meat etc.

EARTHING INSTRUCTIONS

This microwave oven must be earthed. The microwave oven is equipped with a power cord, which has a earthing wire with an earthed power plug. The power plug must be connected to an electric power socket, which is properly installed and earthed. Grounding reduces the risk of electrical shock. In the case of a short circuit the electric current is conducted through the grounding wire. We recommend that the oven be connected to an independent electrical circuit.



WARNING!

An incorrectly grounded power socket may present a danger of electric shock.



Note:

- 1) If you have questions regarding earthing or electrical instructions, consult everything with a qualified electrician or repair person.
- 2) Neither the manufacturer nor the seller take any responsibility for whatever damage to the oven or injury resulting from an incorrect electrical connection.

RADIO WAVE INTERFERENCE

The use of the oven may cause interference to your radio, television or similar receivers.

If interference occurs, it may be limited by the following measures:

- 1) Keeping the inside area of the oven and the inside parts of the door clean.
- 2) Redirecting the radio or television signal reception antenna.
- 3) Moving the microwave oven further away from the receiver.
- 4) Connection of the microwave oven to a different power socket with its own independent electrical circuit.

INSTALLATION

- 1) Make sure that you have taken all packaging materials, such as plastic bags, polystyrene, etc. out from inside the oven. Do not remove the cover of the waveguide, which is located on the right side of the inside area of the oven.
- 2) **WARNING:** Check whether the oven is damaged in any way, e.g. whether the oven door is incorrectly attached or dented, whether the door seal is damaged or whether the hinges or locks are loose. If you discover any damage, do not use the oven and contact a qualified service technician.
- 3) The microwave oven must be placed on an even, stable surface, that can bear its weight even with the food inserted.
- 4) Do not located the oven near sources of heat, in locations with increased humidity or near flammable materials.
- 5) To secure sufficient air circulation there must be free space left around the microwave oven. Allow free space of 20 cm above the top surface of the oven, 10 cm from behind and on the sides. Do not block any opening of the oven. Do not remove the legs of the oven.
- 6) **This appliance is designed to be used in free space, it is not designed to be built-in.**
- 7) Do not use the oven without the turning plate installed.
- 8) Make sure that the power cord is not under the under side of the oven or in contact with hot or sharp surfaces.
- 9) The electrical power socket must be easily accessible for the situation, where it may be necessary to quickly disconnect the power cord.
- 10) Do not use the oven outdoors.

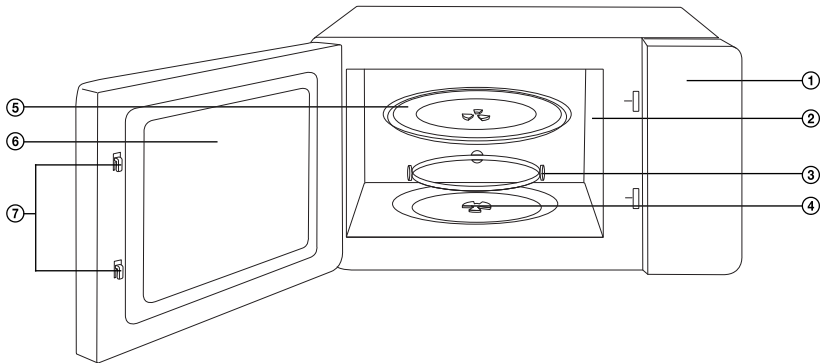
Microwave oven

SMW 3720

EN

DESCRIPTION OF THE MICROWAVE OVEN

A

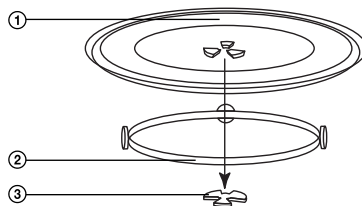


- ① Control panel
- ② Waveguide
- ③ Turning plate guide
- ④ Plastic joint

- ⑤ Turning plate
- ⑥ Door viewing window
- ⑦ Door safety lock

INSTALLATION OF THE TURNING PLATE

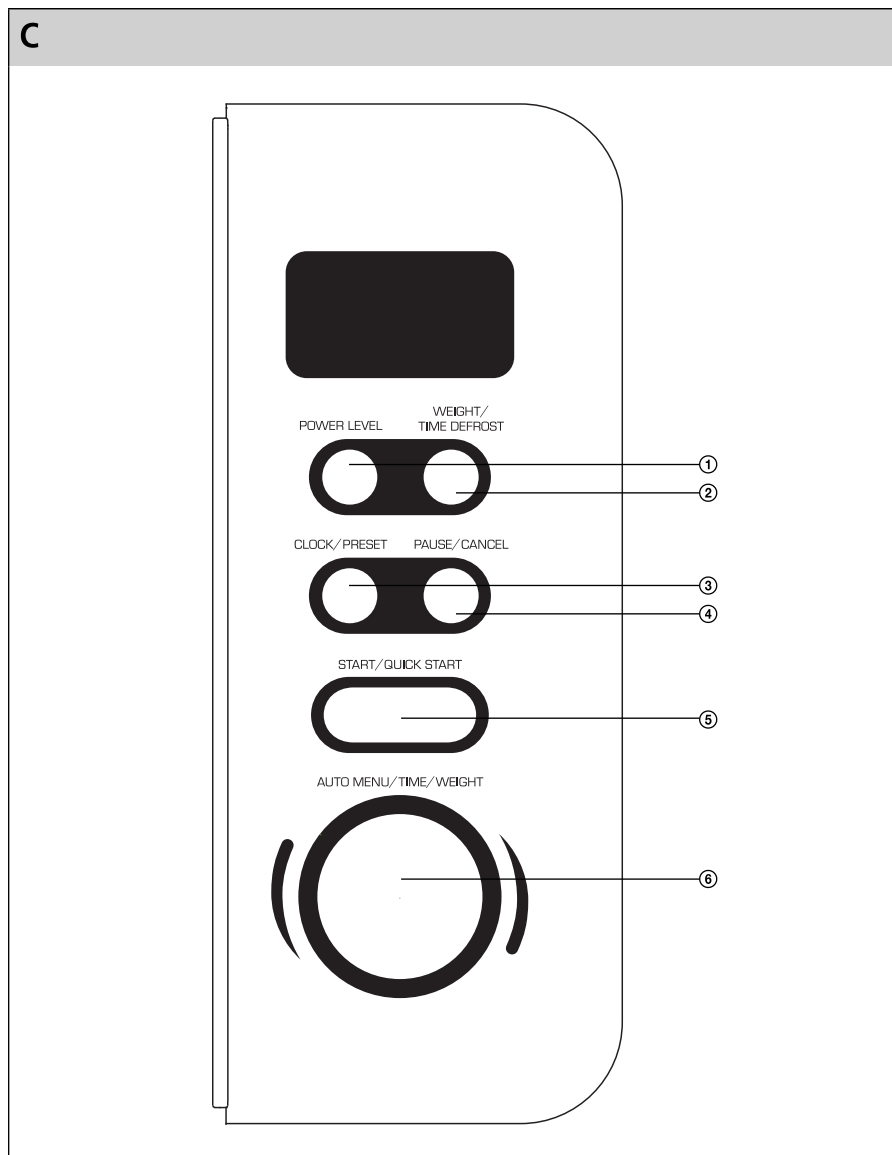
B



- ① Turn plate
- ② Turning plate guide
- ③ Plastic joint

EN-5

CONTROL PANEL



CONTROL BUTTON FUNCTIONS

- ① **POWER LEVEL**
 - set the power level of the microwave oven
- ② **WEIGHT/TIME DEFROST**
 - WEIGHT DEFROST**
 - defrost according to the weight of the inserted food
 - TIME DEFROST**
 - defrosting based on time
- ③ **CLOCK/PRESET**
 - setting the clock in 24-hour format
 - programming of a delayed start
- ④ **PAUSE/CANCEL**
 - cancelling the previous settings or resetting of the microwave oven, the button is pressed once to pause cooking or to cancel the previous setting; the button is pressed twice to cancel the cooking programme and activation and deactivation of the child lock
- ⑤ **START/QUICK START**
 - start the cooking programme
 - quick start
- ⑥ **AUTO MENU/TIME/WEIGHT**
 - selection from the automatic cooking menu
 - setting the time
 - setting the weight of the food

THE BASICS OF COOKING IN A MICROWAVE OVEN

- 1) Carefully organise the food. Place the larger food pieces on the perimeter of the dish.
- 2) Place the food on an appropriate dish before putting it into the oven. Do not prepare food directly on the turning plate.
- 3) Set the correct cooking time. We recommend that you set a shorter cooking time and extend it if necessary. When cooking foods at high temperatures smoke may be created or a fire may start.
- 4) Cover the food before cooking. You will prevent juices from splashing around by covering the food.
- 5) To speed up the cooking of foods, such as chickens or hamburgers, turn them over once during cooking. Large pieces of food such as roasts must be turned over at least once.
- 6) While cooking organise foods similar to hamburgers from the top down and from the centre of the dish to its edge.

USING THE CORRECT KITCHEN DISHES

- 1) The ideal type of dish for cooking in the microwave oven is a transparent container, which permits the penetration of microwaves inside for the heating of food.
- 2) Metal dishes or bowls with a metal rim should not be used, because microwaves cannot go through metals.
- 3) Do not use recycled paper products for cooking in the microwave because they may contain small metal particles.
- 4) Rather use circular or oval containers than square or rectangular containers. Food located in the corners has a tendency to overcook.
- 5) You should use containers suitable for microwave ovens only in accordance with the instructions of the manufacturer.

Microwave oven

SMW 3720

This general list will help you select the right dishes.

Kitchen Dishes	Safe use	Notes
Aluminium foil	▲	Use only in small amounts as protection against overcooking. If the foil is close to the wall or if there is too much of it, sparks may appear.
Special plates for creating a crust	●	Do not use them longer than 8 minutes.
Porcelain an pottery dishes	●	Porcelain, pottery dishes including glazed dishes and bone porcelain a appropriate if they do not have metal decorations.
Single use polyester plates	●	Plates are used for the packaging of some frozen foods.
Wrapped ready food		
• Polystyrene cups	●	May be used to heat foods. Overheating may cause the polystyrene to melt.
• Paper bags or newspapers	X	May catch on fire in the oven.
• Recycled paper or metal edging	X	May cause sparks in the oven.
Glass		
• Glass dishes	●	May be used if it doesn't have metal decorations.
• Fine glass	●	May be used to heat foods and beverages. Fine glass may crack, if it is suddenly heated to a higher temperature.
• Preserving jar	●	Remove the lid. Use only for heating.
Metal dishes		
• Plates	X	May cause sparks in the oven or food to catch on fire.
• Metal bag clips	X	
Paper dishes		
• Plates, cups, napkins and kitchen paper	●	Are appropriate for a short time for heating and cooking, likewise for the absorption of excess moisture.
• Recycled paper	X	May cause sparks in the oven.
Plastic dishes		
• Dishes	●	Use only heat resistant plastics, other plastics may due to high temperatures lose their shape or colour. Do not use products from melamine.
• Wrapping foils	●	Use to maintain moisture, should not come into contact with food. When removing them be careful of the escaping steam.
• Bags for frozen foods	▲	Only if intended for cooking or resistant against high temperatures. Must not be airtight. If necessary penetrate using a fork.
Waxed paper	●	May be used to maintain moisture in foods and for preventing drops of fat and juices from spraying.

● recommended use

▲ limited use

X not recommended

OPERATING INSTRUCTIONS FOR THE MICROWAVE OVEN

SETTING THE DIGITAL CLOCK

Connect the microwave oven to an electric power socket. The value 0:00 will appear on the display and a single beep will be heard.

- 1) Press the **CLOCK/PRESET** button to set the hours.
- 2) To set the hours turn the dial **AUTO MENU/TIME/WEIGHT**. Hours may be set in the range 0-23.
- 3) Press the **CLOCK/PRESET** button to set the minutes.
- 4) To set the minutes turn the dial **AUTO MENU/TIME/WEIGHT**. Minutes may be set in the range 0-59.
- 5) Press the **CLOCK/PRESET** button to confirm your setting. The ":" symbol will flash.



Note:

If you press the **PAUSE/CANCEL** button while setting the clock, the microwave oven will automatically switch to the previous mode.

QUICK START

This function makes it possible to quickly start the microwave oven at full power.

- A) Press the **START/QUICK START** button to set the cooking time to 30 seconds and the microwave oven will automatically start cooking at 100% power. Every time it is pressed again the cooking time is increased by another 30 seconds.
- B) By turning the dial **AUTO MENU/TIME/WEIGHT** anticlockwise set the cooking time and press the **START/QUICK START** button to start the microwave oven. The microwave oven will start cooking at 100% power.



Note:

The cooking time can be set in the range 5 seconds to 95 minutes.

COOKING USING A MICROWAVE

- 1) Press the **POWER LEVEL** button. "P100" will appear on the display.
- 2) By repeatedly pressing the **POWER LEVEL** button or by turning the dial **AUTO MENU/TIME/WEIGHT** set the desired power of the microwave oven. The value set by you will flash on the display.

The following table presents the microwave power setting options.

Display	Power of the microwave oven
P100	100%
P80	80%
P50	50%
P30	30%
P10	10%

- 1) Confirm the power setting by pressing the **START/QUICK START** button.
- 2) Set the cooking time by turning the **AUTO MENU/TIME/WEIGHT** dial. The cooking time can be set in the range 5 seconds to 95 minutes.



Note:

When setting the cooking time the time shown on the display will change as follows:

- by 5 seconds in the time range 0-1 minute
 - by 10 seconds in the time range 0-5 minutes
 - by 30 seconds in the time range 5-10 minutes
 - by 1 minute in the time range 10-30 minutes
 - by 5 minutes in the time range 30-95 minutes
- 3) Press the **START/QUICK START** button to start cooking.

**Note:**

During the course of cooking with the microwave you may extend the time by pressing the **START/QUICK START** button. Each time the **START/QUICK START** button is pressed the time is extended by 30 seconds.

WEIGHT DEFROST – DEFROSTING ACCORDING TO WEIGHT

This function makes it possible to defrost foods according to weight. The defrost time and power are set automatically as soon as you enter the weight of the food.

- 1) Press the **WEIGHT/TIME DEFROST** button. "dEF1" will appear on the display.
- 2) To enter the weight turn the dial **AUTO MENU/TIME/WEIGHT**. The weight of the food may be set in the range 100 g to 2000 g.
- 3) Press the **START/QUICK START** button to start defrosting.

**Note:**

In the defrost according to weight mode it is not possible to extend the defrosting time.

TIME DEFROST – DEFROSTING ACCORDING TO TIME

This function makes it possible to set the defrosting time. The power of the microwave oven is set automatically.

- 1) Press the **WEIGHT/TIME DEFROST** button twice. "dEF2" will appear on the display.
- 2) To enter the defrosting time turn the **AUTO MENU/TIME/WEIGHT** dial. The defrosting time can be set in the range 5 seconds to 95 minutes.
- 3) Press the **START/QUICK START** button to start defrosting.

**Note:**

In the defrosting according to time mode it is possible to extend the defrosting time by pressing the **START/QUICK START** button.

MULTI-LEVEL COOKING

This function makes it possible to concurrently program two cooking phases. The defrosting function can be set only as the first stage of multi-level cooking. A sound signal (short beep) will inform about the end of the first cooking phase and the second phase will automatically be started.

**Note:**

It is not possible to use the **AUTO MENU** – automatic cooking, with multi-level cooking.

Example of the use of multi-level cooking

In the first stage we set defrosting for a time of 5 minutes and then we will cook at a microwave power of 80%.

- 1) To set the defrosting according to time function press the **WEIGHT/TIME DEFROST** button twice. "dEF2" will appear on the display of the microwave oven.
- 2) Set the defrosting time to 5 minutes by turning the **AUTO MENU/TIME/WEIGHT** dial.
- 3) To set the microwave oven to 80% power press the **POWER LEVEL** button twice. "P80" will appear on the display of the microwave oven.
- 4) To confirm the setting press the **START/QUICK START** button.
- 5) Set the cooking time to 7 minutes by turning the **AUTO MENU/TIME/WEIGHT** dial.
- 6) To confirm the multi-level cooking press the **START/QUICK START** button.

DELAYED START

First check whether the clock is correctly set, see chapter setting the digital clock on page 9. Then enter the cooking programme. You can set up to two cooking phases. For a delayed start it is not possible to use the defrost function.

Example of the use of the delayed start

We will cook at 50% power for a time of 10 minutes. Let's assume that it is 8 am and that we wish to set the start of the microwave oven to 11:30.

- 1) To set the microwave oven to 50% power press the **POWER LEVEL** button three times. "P50" will appear on the display.
- 2) To confirm the setting press the **START/QUICK START** button.
- 3) Set the cooking time to 10 minutes by turning the **AUTO MENU/TIME/WEIGHT** dial.
- 4) To set the delayed start press the **CLOCK/PRESET** button. The hours will flash on the display.
- 5) On the display set hours to 11 by turning the **AUTO MENU/TIME/WEIGHT** dial.
- 6) To set the minutes press the **CLOCK/PRESET** button. The minutes will flash on the display.
- 7) On the display set minutes to 30 by turning the **AUTO MENU/TIME/WEIGHT** dial.
- 8) To confirm the setting press the **START/QUICK START** button. The ":" symbol will flash. Cooking will automatically be started at 11:30.



Note:

If the clock is not set the delayed start function cannot be programmed.

AUTO MENU - AUTOMATIC COOKING

When using this function it is not necessary to set the cooking time or the power of the microwave oven. Set only the type and weight of the food, which you wish to heat.

- 1) Turn the **AUTO MENU/TIME/WEIGHT** dial clockwise and select A-1 to A-8 from the menu.
- 2) To confirm your selection press the **START/QUICK START** button.
- 3) Turn the **AUTO MENU/TIME/WEIGHT** dial to set the weight of the food.
- 4) To start cooking press the **START/QUICK START** button.

Automatic cooking menu

Menu code	Weight in grams	Value shown on the screen	Power
A-1 HEATING	200	200	100%
	400	400	
	600	600	
A-2 VEGETABLE	200	200	100%
	300	300	
	400	400	
A-3 FISH	250	250	80%
	350	350	
	450	450	
A-4 MEAT	250	250	100%
	350	350	
	450	450	
A-5 PASTA	50 (+ 450 ml of water)	50	80%
	100 (+ 800 ml of water)	100	
A-6 POTATOES	200	200	100%
	400	400	
	600	600	
A-7 PIZZA	200	200	100%
	400	400	
A-8 SOUP	200 (ml)	200	80%
	400 (ml)	400	

CHILD SAFETY LOCK

The child safety lock serves to prevent small children from using the microwave oven when an adult is not present.

Setting the child safety lock: Hold down the **PAUSE/CANCEL** button for approx. 3 seconds. A beep will be heard and the display will show the symbol [_ _ _]. If the child safety lock is activated, the microwave oven cannot be controlled.

Cancelling the child safety lock: Hold down the **PAUSE/CANCEL** button for approx. 3 seconds until the symbol [_ _ _] turns off. Now it is once more possible to control the microwave oven.

ADDITIONAL INFORMATION FOR USING THE MICROWAVE OVEN

- Every valid entry is signalled by a beep after the button is pressed.
- If you don't press the **START/QUICK START** button to confirm the set cooking programme within 1 minute, the setting will be invalid.
- If the cooking process was interrupted by the opening of the oven door, press the **START/QUICK START** button to continue cooking.
- The microwave oven will beep 5 times on completion of a cooking programme.
- After pressing the **POWER LEVEL** button during microwave cooking the set power will be shown on the display. - After 2-3 seconds the display will switch back to showing the remaining cooking time.
- After pressing the **CLOCK/PRESET** button the display will show the time of the delayed start of the programmed cooking. After 2-3 seconds the display will switch back to showing the time.
- After pressing the **CLOCK/PRESET** button during cooking the time will be shown on the display. After 2-3 seconds the display will switch back to showing the remaining cooking time.

CLEANING AND MAINTENANCE

Before cleaning the main unit always turn it off and disconnect it from the power supply.

- 1) Before first use wash the glass plate in a weak solution of kitchen detergent and then thoroughly rinse under running drinking water.
- 2) Keep the inside of the oven clean. If the walls of the oven are splattered with food juices then wipe them away using a damp cloth. If the oven is heavily soiled, you can use a weak solution of a neutral kitchen detergent. Avoid the use of sprays or abrasive cleaning agents as this could lead to the discolouration or fading of the surface.
- 3) The outside part of the oven should be cleaned with a damp cloth. To prevent damaging the operating parts of the oven, make sure that water does not enter the ventilation openings on the side of the microwave oven.
- 4) Regularly clean the door and the window of the oven from both sides, the door seal and neighbouring parts and any food remains. For cleaning we recommend the use of a weak kitchen detergent. Ensure that remains of the cleaning agent do not remain on the inside wall. Do not use abrasive cleaning products, petrol or solvents for cleaning.
- 5) Clean the control panel using a damp fine cloth.
- 6) If the inside wall and the neighbouring parts become foggy from water evaporated from food, clean them with a fine cloth. This event may occur if the oven is used in a location with increased humidity. This is a normal event.
- 7) From time to time it is necessary to remove the glass tray and clean it. Clean the glass tray in warm soapy water or in a dishwasher.
- 8) The turning plate guide and the under side of the inside area of the oven should be regularly cleaned to prevent excessive noise. Simply clean out the under side of the inside area of the oven using a weak neutral kitchen detergent solution. You may clean the turning plate guide in a weak neutral kitchen detergent solution or in a dishwasher. After cleaning the turning plate guide insert it back into the microwave oven.

- 9) To remove odours from the inside area, place a glass (check that it is suitable for use in a microwave oven) of water with juice and a peel from one lemon into the microwave oven and allow it to cook in the microwave mode for 5 minutes. Wipe out the inside area of the oven until dry with a fine cloth.
- 10) If it becomes necessary to replace the lighting inside the oven, please contact the seller or an authorised service centre.
- 11) Clean the oven regularly according to the above mentioned instructions and remove any food that remains inside it. Failure to keep the oven clean could lead to surface damage, which could adversely affect the lifetime of the appliance and could lead to a dangerous situation.

BEFORE YOU CONTACT AN AUTHORISED SERVICE CENTRE

If the microwave oven is not working:

- Check that oven is properly connected to the electrical grid. If you are not sure, disconnect the power plug from the electric power socket, wait 10 seconds and then reconnect it.
- Check that a circuit breaker has not dropped out. If the microwave oven is still not working, check on a different device whether the electric power socket is working.
- Check that you have set the proper values on the control panel.
- Check that the oven door is properly closed. Otherwise it is not possible to start the set cooking programme.

IF THE ABOVE MENTIONED STEPS DO NOT HELP, CONTACT AN AUTHORISED SERVICE CENTRE. DO NOT ATTEMPT TO MODIFY OR REPAIR THE MICROWAVE OVEN YOURSELF.

TECHNICAL SPECIFICATIONS

Rated voltage	230 V
Rated frequency	50 Hz
Rated power input	1270 W
Microwave power output	800 W
Microwave frequency	2450 MHz
Noise level	60 dB (A)
External dimensions	453 × 369 × 257 mm (wxdxh)
Diameter of the turning plate	245 mm
Capacity	20 l
Weight	approx. 11.1 kg

Amendments to text and technical parameters are reserved.

INSTRUCTIONS AND INFORMATION REGARDING THE DISPOSAL OF USED PACKAGING MATERIALS

Dispose of packaging material at a public waste disposal site.

DISPOSAL OF USED ELECTRICAL AND ELECTRONIC APPLIANCES



The meaning of the symbol on the product, its accessory or packaging indicates that this product shall not be treated as household waste. Please, dispose of this product at your applicable collection point for the recycling of electrical & electronic equipment waste. Alternatively in some states of the European Union or other European states you may return your products to your local retailer when buying an equivalent new product. The correct disposal of this product will help save valuable natural resources and help in preventing the potential negative impact on the environment and human health, which could be caused as a result of improper liquidation of waste. Please ask your local authorities or the nearest waste collection centre for further details. The improper disposal of this type of waste may fall subject to national regulations for fines.

For business entities in the European Union

If you wish to dispose of an electrical or electronic device, request the necessary information from your seller or supplier.

Disposal in other countries outside the European Union

If you wish to dispose of this product, request the necessary information about the correct disposal method from local government departments or from your seller.



This product meets all the basic EU regulation requirements that relate to it.