

Thermoelectric Cooler

Instruction Manual

EN



SENCOR[®]

SCM 1025

Before first use, please read all instructions contained in this user's manual carefully, even if you are already familiar with using similar products. Only use this appliance in accordance with the instructions described in the user's manual. Keep the user's manual in a safe place where it can be easily retrieved for future use.

Save the original packaging, including the internal packing material, warranty card and proof of purchase receipt, at least for the duration of the warranty. If you need to ship this appliance, pack it in the original cardboard box to ensure maximum protection during shipping or transport (e.g. when moving or when you need to send this appliance for repair).

CONTENTS

SAFETY INSTRUCTIONS	3
INTENDED USE	4
TECHNICAL DESCRIPTION	4
OPERATION	5
CLEANING AND MAINTENANCE	6
TROUBLESHOOTING	7
TECHNICAL DATA	7
INSTRUCTIONS AND INFORMATION REGARDING THE DISPOSAL OF USED PACKAGING MATERIALS ..	8
DISPOSAL OF USED ELECTRICAL AND ELECTRONIC APPLIANCES	8

Please observe the following safety instructions carefully.

SAFETY INSTRUCTIONS

General safety

- Do not operate the device if it is visibly damaged.
- Ensure that the ventilation slots are not covered.
- This device may only be repaired by qualified personnel. Inadequate repairs can lead to considerable hazards.
- Do not use electrical device inside the cooler unless they are recommended by the manufacturer for the purpose.
- This appliance is not intended for use by persons (including children) with reduced physical, sensory or mental capabilities, or lack of experience and knowledge, unless they have been given supervision or instruction concerning use of the appliance by a person responsible for their safety.
- This electronic device is not a toy. Children should be supervised to ensure that they will not play with the appliance.
- Food may only be stored in its original packaging or in suitable containers.
- The cooling device is not suitable for transporting caustic material or material containing solvents.
- Check that the voltage specification on the type plate corresponds to that of the energy supply.
- Only connect the device as follows:
 - with the 12V cable supplied to a 12V socket.
- Do not pull the plug out of the cigarette lighter or the socket by the cable.
- If the connection cable is damaged, it must be replaced with the cable of the same type and specifications.
- Do not leave the device without supervision if it is connected.
- Pull out the connection cable:
 - before cleaning and maintenance
 - after use

Operating the device safely

- Before starting the device, ensure that the power supply cable and the plug are dry.
- Keep the 12 V socket (cigarette lighter) clean without cigarette ash. Do not use metal or other conductive objects for cleaning the socket.
- It is recommended to check the status of storage battery in the car in which it is possible to use the supply from 12V socket to prevent from its total discharge.
- Do not place the device near naked flames or other heat sources (heaters, direct sunlight, gas ovens etc.) **Caution! Danger of overheating!**
- Ensure at all times that there is sufficient ventilation so that the heat that arises during operation does not build up. Make sure that the device is sufficiently far away from walls and other objects so that the air can circulate.
- Do not fill the inned container with ice or fluid.
- Never immerse the device in water.
- Protect the device and the cable against heat and moisture.
- Do not touch exposed cables with your bare hands. Danger of fatal injuries!
- If you have an impression that the device does not work correctly, pull out of the socket immediately.
- The manufacturer cannot be held for damage resulting from improper usage or incorrect operation.

INTEDED USE

The cooler is suitable for cooling foodstuffs.

The device has been designed for use with a 12 V DC on-board power supply socket of a car (cigarette lighter), boat or caravan.

The appliance may also be used for camping use. It can be used as a box or cupboard.

THE APPLIANCE SHALL NOT TO BE EXPOSED TO RAIN!

**Note:**

If you wish to connect the device to 220-240 V AC mains supply, it is necessary to use an adaptor (not a part of packaging). The type of adaptor: Y50 SENCOR is available on the market. Ask your dealer.

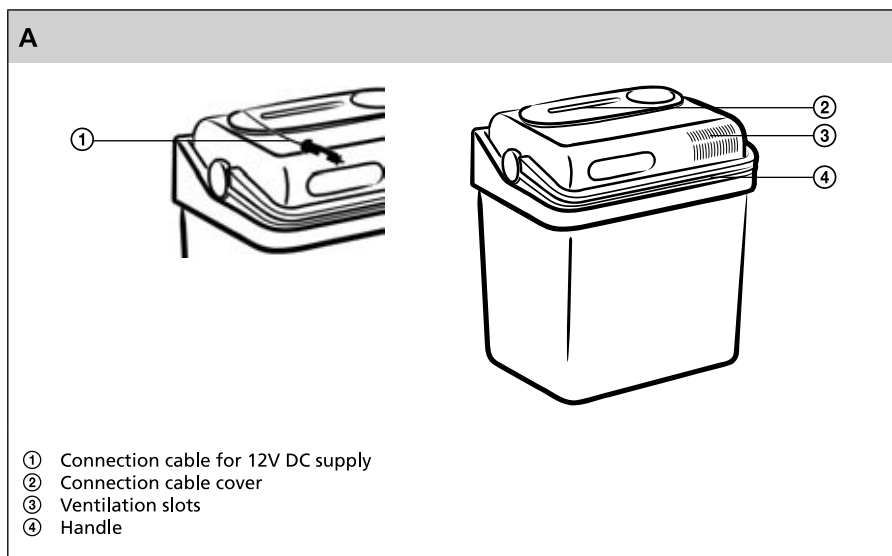
**Caution:**

If you wish to cool medicines, please check it the cooling capacity of the device is suitable for the medicine in question.

TECHNICAL DESCRIPTION

The cooler is suitable for mobile use. It can cool goods to max. 20 °C under the ambient temperature or keep them cool. Its cooling system is a non-wearing and CFC-free Peltier cooling, the heat is discharged by a fan.

Description of the device



OPERATION



Note:

Before starting your new cooling device for the first time, you should clean it inside and outside with a damp cloth for hygienic reasons (please also refer to the „Cleaning and maintenance“ chapter).

Energy saving tips

Choose a well ventilated installation location which is protected against direct sunlight.

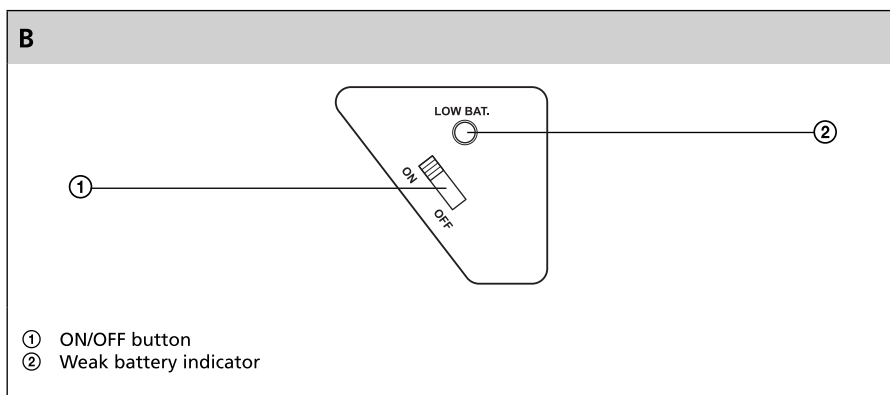
Allow warm food to cool down first before placing it in the device to keep cool.

Do not open the cooling device more often than necessary.

Clean the lid seal regularly.

Protection against full battery discharge

This travel cooler is equipped with protection against the battery fully discharging. The battery monitor protects your vehicle's battery against excessive discharge when this appliance is connected to the vehicle's 12 V power socket. The control panel is found under the power cable cover.



- Push the switch (fig. B ①) on the operating panel to "ON" to switch on the battery monitor.
- The red LED (fig. B ②) on the operating panel displays the status of the battery monitor:
 - **LED glows:**
The switch-on voltage ($13.1\text{ V} \pm 0.2\text{ V}$) is available and the cooler is in operation.
 - **LED flashes:**
The switch-off voltage ($11.7\text{ V} \pm 0.2\text{ V}$) has been reached and the battery monitor has switched off the cooler.
- Push the switch (fig. B ①) on the operating panel to "OFF" to switch off the battery monitor.



Caution:

Risk of damage!

If you have connected your cooler to the 230 V AC mains supply, switch the battery monitor off.

Using the cooler

**Caution:**

IF THE HANDLE IS FOLDED BACK OR IF THE COOLER IS BEING CARRIED, THE LID IS LOCKED. YOU CAN ONLY OPEN THE LID WHEN THE HANDLE IS FOLDED FORWARDS.

**Note:**

Like every cooling device, your cooler must be properly ventilated so that any heat created can dissipate. Otherwise proper functioning cannot be ensured. Place the cooler on a firm base. Connect the 12 V connection cable into the cigarette lighter socket or a 12 V socket in the vehicle.

**Note:**

Close the box tightly by pushing down the lid. The device starts to cool.

**Caution:**

Ensure that the objects placed in the cooler are suitable for cooling to the selected temperature. If you wish to switch the cooler o. , pull out connection cable.

Connection to a cigarette lighter

**Note:**

If you connect the device to the cigarette lighter of your vehicle, remember that the ignition must be turned on to supply the device with power.

CLEANING AND MAINTENANCE

**Caution:**

Before cleaning the cooler, pull the cable out of the cigarette lighter.

Keep the device clean. Regularly clean the device interior and exterior with a damp cloth.

**Caution:**

Do not clean the cooler under running water or in dishwasher.

**Caution:**

Do not use abrasive cleaning agents or hard objects during cleaning as these can damage the cooler.

Thermoelectric Cooler

SCM 1025

ZEN

TROUBLESHOOTING

Fault	Possible cause	Suggested remedy
Your cooler does not work.	There is no voltage flowing from the 12 V socket (cigarette lighter) in your vehicle.	The ignition must be switched on in most vehicles for voltage to flow at the cigarette lighter.
The device does not cool (is switched on).	The inner fan or the cooling element is defective.	This can only be repaired by an authorised customer services unit.
Operation with 12V socket (cigarette lighter): The ignition is on and the cooler is not working. Pull out of the socket and make the following checks.	Cigarette lighter socket is dirty. This results in a poor electrical contact.	If the plug of your cooler becomes very warm in the cigarette lighter socket, either the socket must be cleaned or the plug has not been assembled correctly.
	The fuse of the 12V plug has blown.	Replace the fuse (5A) in the 12V plug.
	The vehicle fuse has blown.	Replace the vehicle's 12V socket fuse (usually 15A). (Please refer to the operating manual of your vehicle.)

TECHNICAL DATA

Gross capacity	24 l
Connection voltage.....	12 V (direct connection)
Power consumption.....	47 W
Cooling capacity.....	Max. 20 °C (under ambient temperature)
Climatic class.....	N
Isolation	Polyuretán foam + cyclopentane (C ₅ H ₁₀)
Proportions (l × h × d).....	39 × 42 × 28 cm
Weight	4,1 kg

Changes in text and technical parameters reserved.

INSTRUCTIONS AND INFORMATION REGARDING THE DISPOSAL OF USED PACKAGING MATERIALS

Dispose of packaging material at a public waste disposal site.

DISPOSAL OF USED ELECTRICAL AND ELECTRONIC APPLIANCES



The meaning of the symbol on the product, its accessory or packaging indicates that this product shall not be treated as household waste. Please, dispose of this product at your applicable collection point for the recycling of electrical & electronic equipment waste. Alternatively in some states of the European Union or other European states you may return your products to your local retailer when buying an equivalent new product. The correct disposal of this product will help save valuable natural resources and help in preventing the potential negative impact on the environment and human health, which could be caused as a result of improper liquidation of waste. Please ask your local authorities or the nearest waste collection centre for further details. The improper disposal of this type of waste may fall subject to national regulations for fines.

For business entities in the European Union

If you wish to dispose of an electrical or electronic device, request the necessary information from your seller or supplier.

Disposal in other countries outside the European Union

If you wish to dispose of this product, request the necessary information about the correct disposal method from local government departments or from your seller.



This product meets all the basic EU regulation requirements that relate to it.

Changes to the text, design and technical specifications may occur without prior notice and we reserve the right to make these changes.