

Wine cooler

USER'S MANUAL

PHILCO



Famous for Quality the World Over

PW 7 BI

PW 19 BI

**Dear customer,
Thank you for buying a PHILCO brand product. So that your appliance serves you well, please read all the instructions in this user's manual.**

CONTENTS

PART 1: BEFORE PUTTING INTO OPERATION	2
Safety precautions	2
Safety instructions for gas R600a	4
PART 2: DESCRIPTION OF THE APPLIANCE	5
PART 3: INSTALLATION	7
Transport and unpacking.....	7
Installing the door handle.....	7
Operating conditions.....	7
Placement	8
Cleaning before use.....	10
Electrical connection.....	10
Changing the door opening direction	11
PART 4: CONTROLS	14
Turning on / off	14
Locking / unlocking the control panel	14
Turning the internal lighting on / off	14
Setting the temperature	14
Storing wine	15
PART 5: REGULAR MAINTENANCE	16
Cleaning the appliance	16
Moving the appliance.....	17
Energy saving tips.....	17
PART 6: WHAT SHOULD I DO WHEN.....	18
PART 7: TECHNICAL SPECIFICATIONS.....	20

PART 1: BEFORE PUTTING INTO OPERATION

Safety precautions

Symbols:



General advice for the optimal operation of the appliance



General dangers



Hot surfaces

Before you put the appliance into operation

Important

This appliance is designed exclusively for storing bottles of wine. Do not use the appliance for purposes other than those for which it was designed.

- Carefully study the user's manual and installation instructions before installing and using the appliance! This user's manual includes important information regarding the installation, operation and maintenance of the appliance. Store the user's manual also for future reference, or for other owners of the appliance if the appliance is sold.



If the appliance is transported in a horizontal position the oil from the compressor may leak into the cooling circuit. For this reason, allow the appliance to rest in a vertical position for 12 hours before turning it on, so that the oil can flow back into the compressor.



After unpacking the appliance, carefully inspect that it has in not been damaged in any way. Also check that the power cord is not damaged. If you discover any defects, turn off the appliance and contact the vendor or in the case of a damaged power cord contact the service centre. If the appliance and all its parts are in order, install it according to the instructions in the relevant chapter.

- When installing the appliance in its place or when moving the appliance, the power cord could be penetrated or damaged. Check that the power cord is not interfering anywhere.
- Before connecting the appliance to the electricity power source check that the capacity of the system corresponds to the specifications on the appliance's rating label.
- Any kind of home electric wiring necessary for the connection of the appliance must only be carried out by a qualified electrician.



If you move the appliance from its usual position, it is necessary to understand, that although you have disconnected the power cord, the components on the rear side of the appliance may remain very hot for some time.



This appliance may be built-in. Nonetheless, do not cover or block the air inflow or outflow openings. Insufficient ventilation will cause poor operation and damage to the appliance.

Operating the appliance

- Use the appliance only for the purposes for which it has been designed.
- This appliance is designed only for household use, for storing bottles of wine.
- The temperature inside the wine cooler may rise or fall slightly and so these appliances are not suitable for storing products (e.g. medicines), which require a stable temperature.



Do not use any other electric appliances (e.g. heating elements, electric ice cream machines, etc.) inside the appliance. There is a danger of explosion!



Do not place food inside the wine cooler containing flammable propulsion gases (e.g. sprays) and no explosives, contaminants or volatile substances. There is a danger of explosion!

- Do not use the base, racks, door of the appliance, etc. as a step or as a support. There is a danger of injury to persons or damage to the appliance.
- Ensure that the plastic parts of the appliance and the door seals are not soiled with oil or grease. The plastic parts and the seals would then become porous.

Children in the household

- Never leave packaging and its parts with children. Cardboard boxes and plastic sheets present may lead to poisoning or suffocation!
- This appliance is in no way a toy for children!
- For appliances with door locks, do not leave keys within the reach of children!
- If you will no longer be using the wine cooler, remove the door, seals and store it in a safe place. In this way you will prevent the danger of children becoming trapped inside the wine cooler.

Maintenance and cleaning



Before you begin with regular or exceptional maintenance, disconnect the appliance's power cord or turn off the fuse or circuit breaker. Never pull the electric power cord, only pull on the power plug.



Do not clean the appliance using a steam cleaning device! The steam may come into contact with the electric components inside the appliance, where a short circuit could occur. There is a danger of electric shock!

General instructions

- This appliance must not be used by persons (including children) with physical, sensory or psychological impairments or by inexperienced persons, unless properly trained or schooled in the safe use of the appliance, or unless they have been properly supervised by a person who will be responsible for their safety. Children should be supervised so as not to play with the appliance.
- This appliance has been tested in accordance with the directives in force in the European Union.
- The leak tightness of the cooling circuit has been verified.
- This appliance conforms to the relevant safety provisions for electrical appliances in force in the European Union.

Technical safety



The appliance contains a cooling gas, ISOBUTHAN (R600a). Only transport or move the appliance with the utmost care, prevent excessive impacts and shaking to prevent damaging the appliance. If the cooling circuit becomes damaged and the cooling gas may be escaping, there is a risk of an explosion, which may be ignited by a spark or flame. If the appliance shows signs of damage, it must not be put into operation. In such a case contact the service centre, ventilate the room where the appliance is located and prevent the spreading of flames or other interference with the appliance.

Safety instructions for gas R600a

Measures to be taken in the event of an unexpected release

If ventilation is possible, allow the material to evaporate.

Characteristics of the gas

The gas is highly flammable, it is necessary to completely prevent contact with an open flame and hot surfaces. Because the R600a gas is heavier than air, it may become very concentrated at the level of the ground, where ventilation is poor.

First aid

Inhalation

Take the affected person from the contaminated area to a warm, well ventilated location. Staying in a contaminated location for a long time may cause suffocation or potentially loss of consciousness. If necessary, provide mouth-to-mouth resuscitation and in exceptionally serious situations, under expert medical supervision, give oxygen.

Contact with the skin

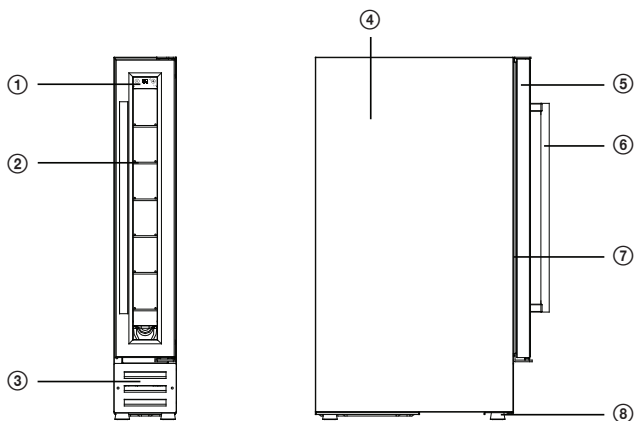
Accidental contact with the skin is not hazardous to health. Thoroughly wash the affected area with water. The liquid spray or dispersed liquid may cause frost bite, rinse the affected area with large amounts of water and contact a medical doctor.

Contact with the eyes

If eyes have been affected, rinse out with large amounts of water, while trying to keep the eyes open, and call a specialised doctor as soon as possible. If contact or inhalation of the R600a gas occurs, contact your medical doctor.

PART 2: DESCRIPTION OF APPLIANCE

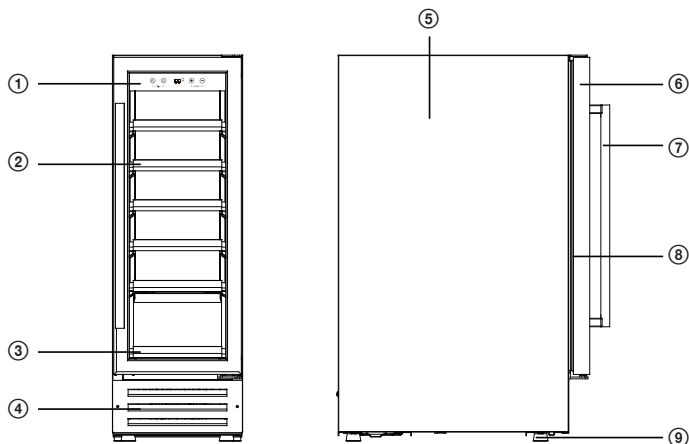
PW 7 BI



- ① Control panel and digital display
- ② Racks (6 pcs)
- ③ Ventilation grill
- ④ Exterior surface

- ⑤ Door
- ⑥ Door handle
- ⑦ Seal
- ⑧ Levelling feet

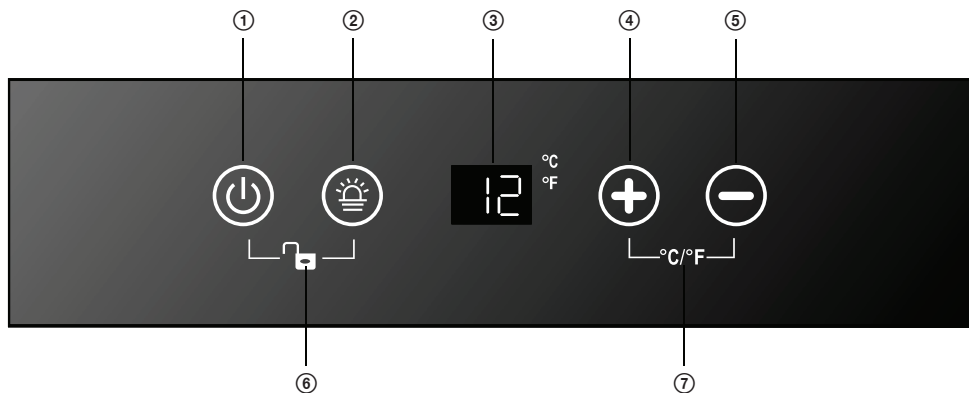
PW 19 BI



- ① Control panel and digital display
- ② Deep wooden racks (5 pcs)
- ③ Soft wooden rack (1 pcs)
- ④ Ventilation grill
- ⑤ Exterior surface

- ⑥ Door
- ⑦ Door handle
- ⑧ Seal
- ⑨ Levelling feet

Description of the control panel



- ① Turning on / off
- ② Internal lighting
- ③ Display
- ④ Increase temperature
- ⑤ Decrease temperature
- ⑥ Lock / Unlock
- ⑦ Switch between °C and °F

PART 3: INSTALLATION

Transport and unpacking

If the appliance is transported in a horizontal position the oil from the compressor may leak into the cooling circuit. For this reason, allow the appliance to rest in a vertical position for 12 hours before turning it on, so that the oil can flow back into the compressor.

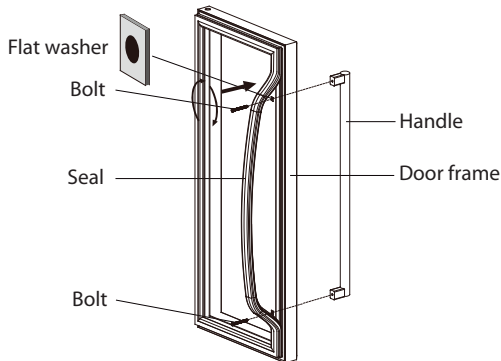
Remove the external packaging, remove the protective plastic film from the surface of the appliance (if used) and clean the external parts of the appliance with an agent designed for this purpose. Do not use steel wool or any coarse agents, which could irreparably damage the surface of the appliance. Carefully remove all papers and adhesive tape from the appliance, door and other parts packed in polystyrene. Remove documents and accessories from inside the appliance.

The packaging material is recyclable and is marked with a recycling symbol. For disposal follow the local regulations. Packaging materials (plastic bags, polystyrene parts, etc.) must be kept out of the reach of children, because they present a possible source of danger.

Carefully inspect the appliance. If you discover any defects, stop the installation and contact the vendor.

Installing the door handle

1. First remove the seal from the internal door area and two holes will appear.
2. Attach the door handle using bolts, washers and a screwdriver. Screw in properly.
3. Reattach the seal.



Operating conditions

Proper operation of the appliance is guaranteed only if the following conditions are met:

- The temperature in the room where the appliance is located conforms to the climate class stated on the appliance's rating label.
- Maximum ambient relative humidity: 90%.
- The appliance must be placed at a sufficient distance from heat sources (e.g. baking ovens, central heating, direct sunlight, etc.).
- The appliance must be located in such a place that it is protected against the effects of weather.
- Regular maintenance is performed according to the instructions in this user's manual.
- The ventilation openings in the cover of the appliance must not be covered by anything.
- Correct installation (e.g. levelling, the capacity of the system corresponds to the specifications on the rating label of the appliance).

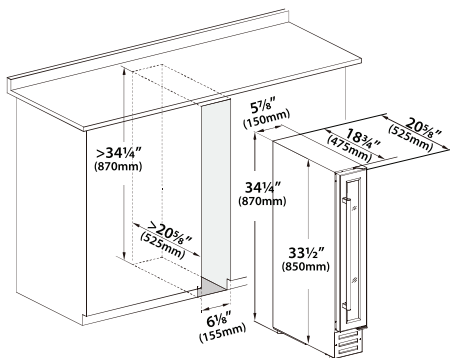
Table – Climatic class

Climatic class	Ambient temperature
SN	+10°C to +32°C
N	+16°C to +32°C;
ST	+16°C to +38°C
T	+16°C to +43°C

Placement

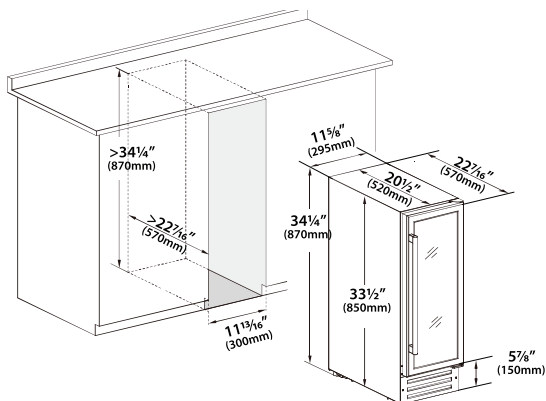
The location for the placement of the appliance must meet the requirements in the paragraph "Operating conditions" and must have a stable floor with a load bearing capacity corresponding to the weight of the appliance. The appliance may be built-in. For installation it is necessary to provide for and adhere to the dimensions illustrated below.

PW 7 BI



Level the levelling feet to a height of 860 – 890 mm.

PW 19 BI



Level the levelling feet to a height of 860 – 890 mm.

Level the appliance using the levelling feet, ensure there is a gap between the bottom edge of the appliance and the ground, so that there is sufficient circulation of the cooling air, by which you will ensure the optimal performance of the cooling circuit.

Check whether any cooling circulation pipes have been damaged during the installation.

- Use the appliance only for the purposes for which it has been designed.
- The appliance must be located on a rigid and even surface.

In this way you will ensure free circulation of the coolant and effective operation of your appliance.

- If possible, place the appliance into a cool, well ventilated and dry room.
- Do not locate the appliance in direct sunlight, or in a room with a high temperature, in the vicinity of any sources of direct heat, such as heating, an oven, a stove, etc. – this would mean that the compressor would need to work a lot harder resulting in a substantially higher power consumption level.

If it is not possible to prevent the installation in the vicinity of a heat source, we recommend the insertion of an appropriate insulating board (do not use asbestos) between the appliance and the heat source; or at least to maintain the following minimum distances:

- From a gas or electric stove 3 cm;
- From a heater or oven, etc. 30 cm;
- From another cooling appliance 2 cm.

Do not place any appliances on the appliance, which release heat on to the appliance, such as microwave ovens, toasters, etc.

Never cover the ventilation grill. Pull out the power plug by pulling on the plug itself, never pull on the cord when disconnecting the appliance.



Before turning on the appliance allow it to stand in its final location for 12 hours, the coolant circuit will stabilise in this way and no operating problems will occur. Before connecting the appliance to the power grid check that it is perfectly dry inside – especially in the corners.

Danger warning

The coolant may be highly flammable, depending on its composition. The coolant circuit was hermetically closed and sealed and was tested many times for possible leaks. Any unqualified tampering with the product may cause a fire hazard. Check that there is no mechanical interruption or effect on the coolant circulation, namely in the accessible parts around the compressor.

Only professionally qualified persons may work on the cooling system.

Cleaning before use

Check that you have removed from the appliance all adhesive tape used to hold accessories. Then clean all the inside parts using lukewarm water with a neutral cleaning agent, vinegar or sodium carbonate – in this way you will remove the characteristic odour of new parts – then dry carefully. Do not use detergents or aggressive agents, which could damage the surfaces.

Electrical connection

Before connecting the power plug to the power socket, check that:

- Your hands are completely dry.
- The voltage and frequency shown on the performance label of the appliance corresponds to that in the home power grid (permitted tolerance from -6% to +6% for nominal voltage, for use with different voltages, use a voltage converter with the corresponding parameters).
- The cord and the plug are not damaged or caught under heavy objects.
- The power cord is not excessively tensioned. The use of an extension cord is not permitted.



Do not connect the appliance to a voltage rectifier (e.g. solar power plant) or use an extension cord.



The appliance must be connected to a working grounding lead.

If the power socket of the home system is not grounded in accordance with the current legal regulations, connect the appliance after consulting a specialised technician to the grounding lead itself.

The manufacturer takes no responsibility for injuries caused as a result of not following these instructions.



If you do not correctly level the appliance during the installation, the door may not close shut and seal properly, which may cause problems with the cooling, ice build up or moisture. Levelling the appliance is very important.



Level the appliance using the levelling feet – turn them clockwise to lift the appliance and turn them anticlockwise to lower the appliance.

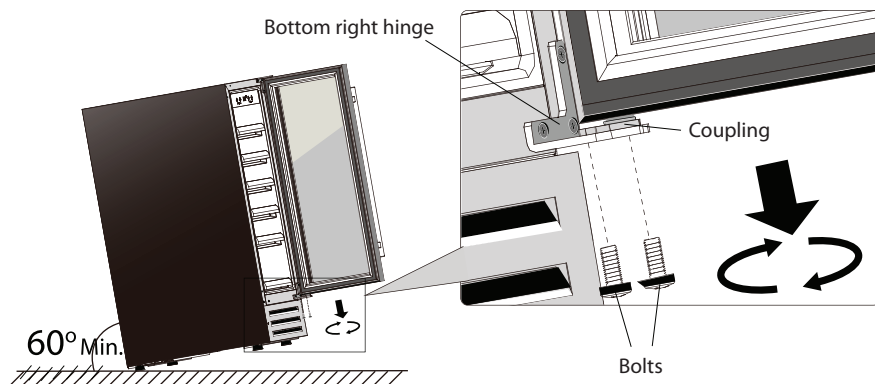
Changing the door opening direction

These instructions are for the procedure for changing the opening direction for a door mounted on the right hinges.

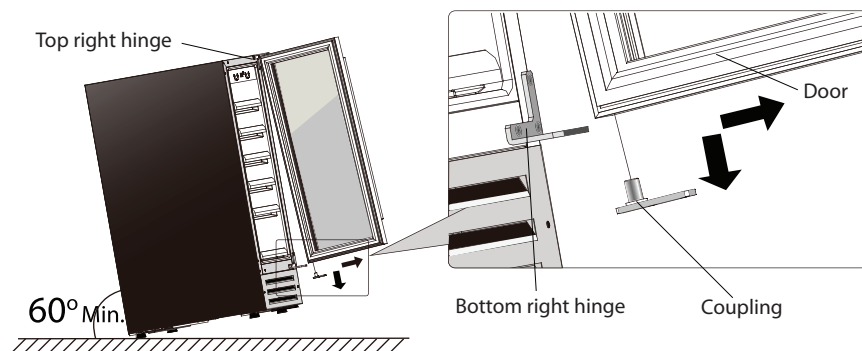
To change the door opening direction from the right side to the left side, the following spare parts are necessary: top left hinge and bottom left hinge (not included with the appliance).

We recommend that you carefully store all removed parts for the event that the door opening direction may need to be changed.

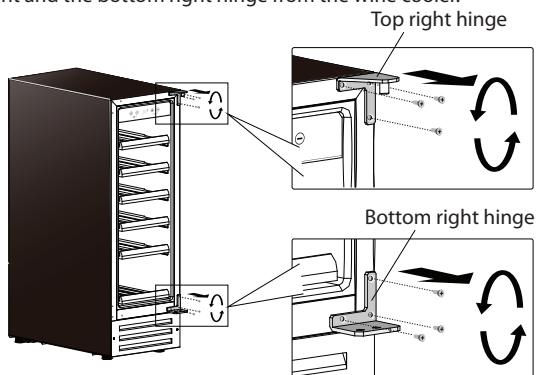
1. Open the door and unscrew the two bolts from the coupling on the bottom right hinge.



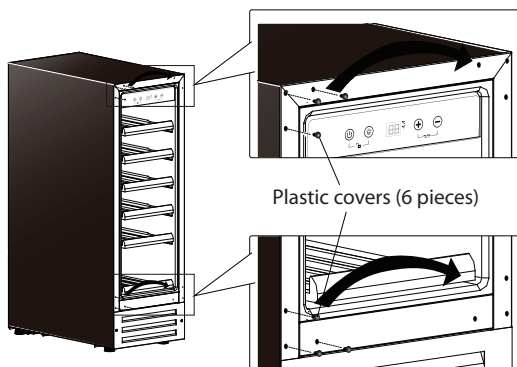
2. Carefully take the door off the top right hinge. When handling the door, take care not to scratch it. Remove the coupling from the right hinge hole.



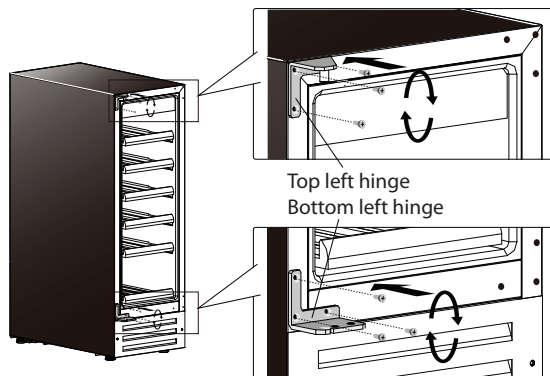
3. Unscrew the top right and the bottom right hinge from the wine cooler.



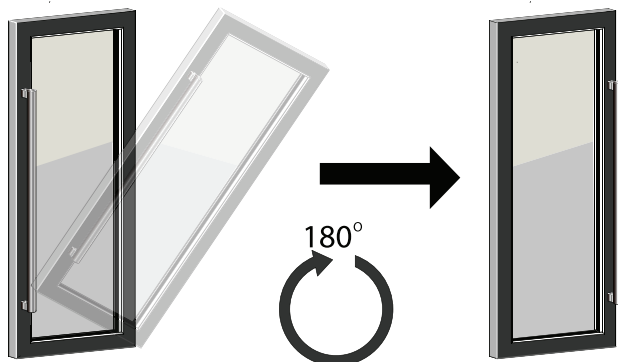
4. Remove the plastic covers from the left corner and place them on the right corner in place of the removed hinges.



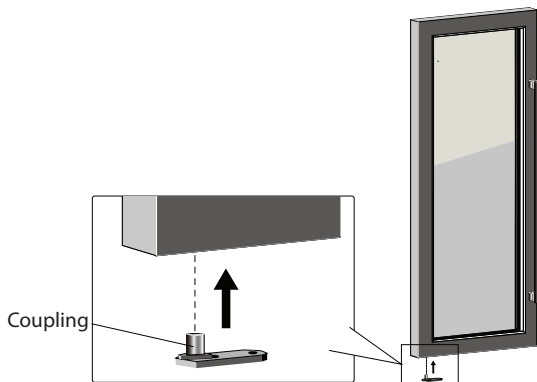
5. Screw on the top left and bottom left hinge on to the left side of the appliance. Check that the bolts are properly screwed in.



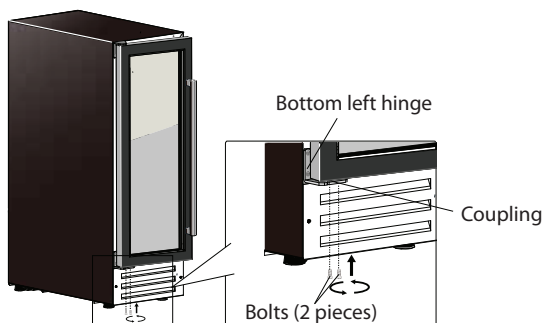
6. Turn the door over by 180° (upside down).



7. Insert the coupling into the left hinge hole.



8. Place the door on the bottom left hinge by tightening the coupling with 2 bolts.



PART 4: CONTROLS

Turning on / off

The appliance will turn on automatically after the power cord is connected to a power socket. Press and hold down the On / Off button for 10 seconds to turn the appliance on/off. The On / Off button will work even when the lock function is activated on the control panel.

WARNING:

To prevent damaging the compressor, after turning off the appliance wait at least 5 minutes before turning it on again.

Locking / unlocking the control panel

To unlock the control panel press and hold down the On / Off button and the internal lighting button for 3 seconds. A sound will be made.

The control panel will automatically lock itself after 10 seconds of inactivity. A sound will be made indicating that the lock is activated.

No button will be active in the locked mode, except for On / Off.

Turning the internal lighting on / off

With the control panel unlocked, press the internal lighting button to turn the internal lighting on / off. The internal area will remain lit until you press the internal lighting button.

Display

The display shows the set temperature. If you change the temperature, the temperature inside the appliance will change after approximately 10 seconds.

If the temperature sensor is out of order, the display will show "HH" or "LL" instead of digits and a sound will be made. If this occurs the appliance can maintain its temperature using the compressor and fan.

WARNING:

To prevent the stored wine from spoiling, it is necessary to regularly check the appliance and in the event of a malfunction to contact an authorised service centre. The appliance is not able to maintain temperature by means of the compressor and fan for an extended period of time.

Setting the temperature

- The temperature may be set in the range 5 – 22 °C.
- To set the temperature, repeatedly press the temperature increase / decrease buttons.
- When the temperature increase / decrease button is first pressed the previously set temperature is recalled. If the appliance is turned on after an interruption to the power supply, the previous temperature does not exist and it will be replaced by the default temperature of 12 °C.
- Press the temperature increase / decrease buttons once to increase or decrease the temperature by 1 °C.
- The newly set temperature inside the appliance will be shown on the display approximately 10 seconds after being set.

NOTE:

When it is first turned on or turned on after being off for a long time, it is possible that there will be a difference between the set temperature and the temperature shown on the display. This is normal and this difference will disappear after several hours.

Switching between °C and °F

Press and hold down the temperature increase and temperature decrease buttons for 5 seconds to change the temperature unit from °C to °F and vice versa.

Storing wine

- The racks are designed for storing wine in Bordeaux type bottles. The maximum number of bottles may differ depending on the size and dimensions of the actual bottles.
- To prevent damaging the seal, check that the door is fully open before sliding out the rack.
- Store only originally corked wine bottles.
- Do not cover the rack with aluminium foil or any other material in any way that could prevent the free circulation of air.
- If you will not be using the appliance for an extended period of time, we recommend that you disconnect the power cord from the power socket, clean it and leave the door slightly open so that air can circulate freely avoiding undesirable odours, moisture, etc.

Table of recommended wine storage temperatures

Type of wine	Recommended temperature
Red wine	15 – 18 °C (59 – 64 °F)
Dry / White wine	9 – 14 °C (48 – 57 °F)
Rosé wine	10 – 11 °C (50 – 52 °F)
Sparkling wine	5 – 8 °C (41 – 46 °F)

PART 5: REGULAR MAINTENANCE

Cleaning the appliance

Before commencing to clean the wine cooler disconnect it from the power source.

- Wipe the internal surface of the appliance with a soft sponge lightly dipped in a table salt solution. Add 2 tablespoons of table salt into 1 litre of warm water.
- Wash the racks in warm water with a small amount of kitchen dishwashing liquid, rinse and wipe dry. Allow the wooden racks (if the wine cooler has them) to dry completely before returning them to the wine cooler.
- All parts that you wash with a soft sponge lightly dipped in water must be properly wiped dry.
- Wipe the outer surface with a soft sponge lightly dipped in water with a small amount of dishwashing liquid. Wipe dry using a clean cloth.

WARNING:

Do not use steel wool or sponges with steel wool on stainless steel surfaces. They could damage the surface.

Do not use cleaning waxes, concentrated cleaning agents, bleaches or cleaning products containing kerosene on the plastic or rubber parts.

Never use paper towels or window cleaners on the plastic parts.

The use of steam cleaning appliances is extremely dangerous and so is strictly forbidden.

Power outage

Most power outages are rectified within a few hours and should not have an effect on the temperature inside the appliance if you limit its ventilation. However, in the event of an extended power outage it is necessary to take appropriate steps to prevent the contents inside the appliance from spoiling.

TAKING OUT OF OPERATION FOR AN EXTENDED PERIOD

If you are not going to use the wine cooler for an extended period of time, do the following:

Disconnect the wine cooler from the power source by pulling it out of the power socket. Clean out the inside and dry it out as described in the part Cleaning the wine cooler. Leave the door open to prevent an unpleasant odour from forming inside.

Moving the appliance

- Before moving it, it is necessary to remove all contents from the appliance.
- Secure freely moving parts inside the wine cooler (racks), e.g. using adhesive tape.
- To prevent damage, screw in the levelling feet.
- Secure the door, e.g. using adhesive tape.
- Ensure that the appliance always remains in a vertical position while being transported. To prevent the appliance from damage during transport you can cover it with a blanket or another soft textile.

Energy saving tips

- Locate the appliance away from sources of heat and out of direct sunlight.
- Ensure sufficient ventilation. Under no circumstances should you cover the ventilation openings.
- Only open the door when necessary. Do not leave the door open for a long time or open / close the door too often.

PART 6: WHAT SHOULD I DO WHEN...

If the appliance is not working as it should, prior to calling an authorised service centre, read the instructions below, which will help you remedy the most common problems with the appliance. However, should the problem persist or you are unable to remedy it yourself, immediately turn the appliance off, disconnect it from the power socket and contact an authorised service centre.

Under no condition should you repair the appliance yourself.

a) The appliance is not working.

Please check whether:

- the plug is inserted in a power socket;
- the appliance turned on;
- the fuse is in order.

b) The appliance does not cool sufficiently / the compressor turns on too frequently.

Please check whether:

- the temperature is correctly set;
- due to the ambient temperature it may be necessary to increase the temperature;
- the door is being opened too frequently;
- the door is properly closed;
- the seal is properly seated and is sealing sufficiently.

c) The appliance turns on and off too often.

Please check whether:

- the room temperature is higher than usual;
- you have added too much wine at once;
- the door is being opened too frequently;
- the door is properly closed;
- the temperature is correctly set;
- the seal is properly seated and is sealing sufficiently.

d) The light is not working.

Please check whether:

- the plug is inserted in a power socket;
- the fuse is in order;
- the light is turned off.

e) Excessive vibrations.

Please check whether:

- the appliance is levelled;
- there is anything loose inside the appliance or compressor.

f) The appliance is too loud.

Please check.

- A characteristic noise may be made by the flowing coolant. If so, this is normal.
- At the end of each cycle you may hear a gurgling sound caused by the flowing coolant.
- The contraction and expansion of the internal walls may cause a cracking sound.
- Check that the appliance is correctly levelled.

g) The door does not shut and seal properly.

Please check whether:

- the appliance is levelled;
- the door is turned upside down or incorrectly installed;
- the seal is dirty;
- the racks are in their correct location.

h) The display shows "HH" or "LL" instead of the digits, or this is accompanied by a sound signal.

- Please check that the temperature sensor is working properly.

PART 7: TECHNICAL SPECIFICATIONS

Model	PW 19 BI	PW 7 BI
Number of bottles (pcs.)	19	7
Volume (l)	58	22
Cooling power	5-22°C	5-22 °C
Voltage frequency	220-240V/50Hz	220-240V/50Hz
Power output	88W	63W
Energy class	C	C
Power consumption (kWh/24h)	0.6	0.6
Annual power consumption in kWh	219	219
Dimensions w/d/h (cm)	29.5/56.4/87	15/52.5/87
Noise level	39dB	39dB
Weight	31kg	19.5kg
Automatic locking of panel	yes	yes
Option to change door opening direction	yes	yes
Coolant	R600a	R600a
Temperature zones	1	1
Automatic defrosting	yes	yes
Climatic class	N	N
Colour	black	black
Touch controls	yes	yes
LED display	yes	yes

NOTE:

All the here mentioned data is subject to change.

INSTRUCTIONS AND INFORMATION REGARDING THE DISPOSAL OF USED PACKAGING MATERIALS

Dispose of packaging material at a public waste disposal site.

DISPOSAL OF USED ELECTRICAL AND ELECTRONIC APPLIANCES



The meaning of the symbol on the product, its accessory or packaging indicates that this product shall not be treated as household waste. Please, dispose of this product at your applicable collection point for the recycling of electrical & electronic equipment waste. Alternatively in some states of the European Union or other European states you may return your products to your local retailer when buying an equivalent new product. The correct disposal of this product will help save valuable natural resources and help in preventing the potential negative impact on the environment and human health, which could be caused as a result of improper liquidation of waste. Please ask your local authorities or the nearest waste collection centre for further details. The improper disposal of this type of waste may fall subject to national regulations for fines.

For business entities in the European Union

If you wish to dispose of an electrical or electronic device, request the necessary information from your seller or supplier.

Disposal in other countries outside the European Union

If you wish to dispose of this product, request the necessary information about the correct disposal method from local government departments or from your seller.



This product meets all the basic EU regulation requirements that relate to it.

Changes to the text, design and technical specifications may occur without prior notice and we reserve the right to make these changes.

Dovozce:
FAST ČR, a.s.
Černokostecká 1621
CZ-25101 Říčany

Dovozca:
FAST PLUS s.r.o.
Na pántoch 18
SK-831 06 Bratislava

PHILCO[®] 

**is a registered trademark used under license from
Electrolux International Company, U.S.A.**