

Electric Kettle

User's manual

EN



SENCOR®

SWK 1501GR / SWK 1502BL / SWK 1503OR
SWK 1504RD / SWK 1505VT / SWK 1506YL
SWK 1507TQ

Translation of the original manual

Prior to using this appliance, please read the user's manual thoroughly, even in cases, when one has already familiarised themselves with previous use of similar types of appliances. Only use the appliance in the manner described in this user's manual. Keep the user's manual in a safe place where it can be easily retrieved for future use.

We recommend saving the original shipping cardboard box, packaging material, receipt and warranty card for the duration of warranty. In the case of transportation, pack the appliance using the original packaging materials only.

CONTENTS

IMPORTANT SAFETY INSTRUCTIONS	3
DESCRIPTION OF THE KETTLE	6
BEFORE FIRST USE.....	7
USING THE KETTLE	7
CLEANING AND MAINTENANCE.....	7
TECHNICALSPECIFICATIONS.....	8
INSTRUCTIONS AND INFORMATION REGARDING THE DISPOSAL OF USEDPACKAGINGMATERIALS	8
DISPOSAL OF USED ELECTRICAL AND ELECTRONIC EQUIPMENT	8

IMPORTANT SAFETY INSTRUCTIONS

READ CAREFULLY AND STORE FOR FUTURE USE.

GENERAL WARNINGS

- This appliance may be used by children 8 years of age and older and by persons with physical or mental impairments or by inexperienced persons, if they are properly supervised or have been informed about how to use the product in a safe manner and understand the potential dangers.
- Cleaning and maintenance performed by the user must not be performed by children unless they are older than 8 years of age and under supervision.
- Keep the appliance and its power cord out of reach of children younger than 8 years of age.
- Children must not play with the appliance.
- In the event that the power cord is damaged, have it repaired at a professional service centre to prevent causing a dangerous situation. It is forbidden to use the appliance if it has a damaged power cord.
- This appliance is designed for domestic use and similar locations such as:
 - kitchens in stores; offices and other workplaces;
 - in agriculture;
 - for guests of hotels, motels and other similar locations;

– in bed and breakfast establishments.

- Never wash the appliance under running water or submerge it in water or another liquid.
- If the electric kettle is overfilled, then boiling water could splash out.



Warning:

Do not open the lid of the kettle when it is running and while water is boiling.

- Make sure that no water or any other liquid splashes on the power plug or the power socket, and that the hot steam emitted from the appliance is also kept away. If this, nevertheless, occurs, disengage the circuit breaker of the power socket and then carefully dry the power socket and the power plug before further use.
- The surfaces of the appliance that come into contact with food must always be cleaned according to the instructions in this user's manual.



Warning:

Incorrect use may lead to injuries.

- The surface of the heating element retains residual heat after use.

Electric Kettle

SWK 1501GR / SWK 1502BL / SWK 1503OR / SWK 1504RD / SWK 1505VT / SWK 1506YL / SWK 1507TQ

EN

ELECTRICAL SAFETY

- Before connecting the kettle to a power socket, check that the voltage stated on the rating label matches the electrical voltage in the socket.
- Connect the kettle only to a properly grounded socket.



Attention:

This kettle is not designed to be controlled using a programmed device, external timer switch or remote control.

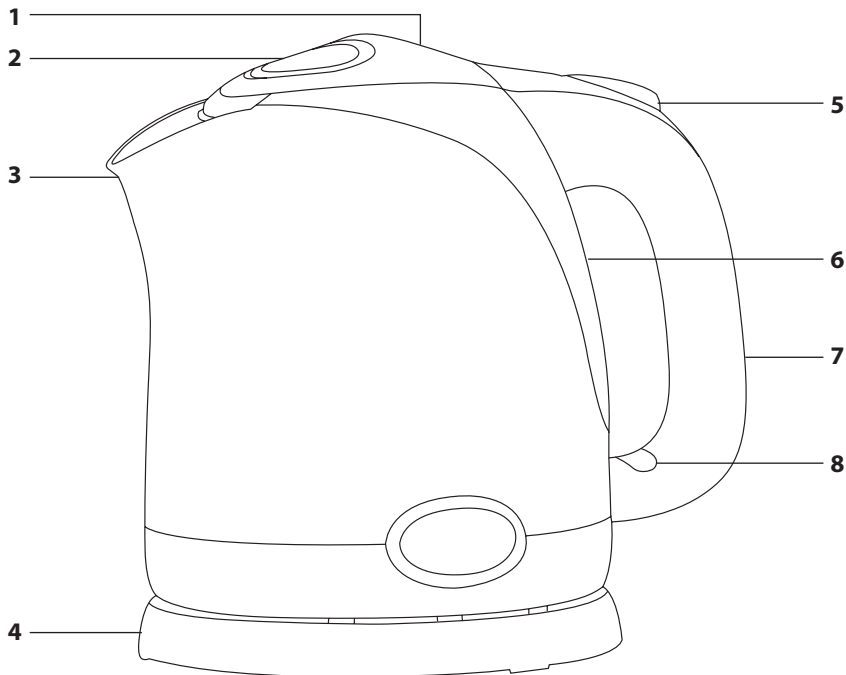
- Never use the kettle in the near vicinity of a bath, shower or swimming pool.
- Do not wash the kettle or its base stand under running water and do not submerge it or its base stand in water or another liquid.
- Always disconnect the kettle from the power socket when not using it or before moving or cleaning it.
- Ensure that the power cord does not come into contact with water or moisture.
- Take care not to spill water on to the connector when placing the kettle on to the base stand and when taking it off the base stand.
- Do not place heavy items on the power cord. Make sure that the power cord does not hang over the edge of a table and that it is not touching a hot surface.
- Do not disconnect the kettle from the power socket by pulling on the power cord. This could damage the power cord or the power socket. Disconnect the cord from the power socket by gently pulling the plug of the power cord.
- If the power cord is damaged, have it replaced at a specialised service centre. It is forbidden to use the kettle if it has a damaged power cord or plug.
- To avoid the danger of injury by electrical shock, do not repair the kettle yourself or make any adjustments to it. All repairs of this kettle should be carried out at an authorised service centre. Tampering with the appliance during the warranty period may void the warranty.

SAFETY DURING USE

- Do not place the kettle on window sills or on unstable surfaces. Always place the kettle on a stable, even and dry surface.
- Only use the kettle with the base stand that was supplied with it. Do not use the base stand supplied with this kettle for other types of kettles.
- Use the kettle only for boiling water.
- Although the kettle is protected against damage caused by accidentally turning it on without water, do not use it empty. Incorrect use may negatively affect its working order and lifetime.
- Always take the kettle off the base stand before filling it.
- Check that the lid is securely closed before starting the kettle. Do not open the lid or handle it in any way while the water is boiling.
- The body of the kettle heats up while water is boiled. Do not touch the hot surface. This could cause skin burns. Use the handle for lifting and carrying the kettle.
- Do not place any items or kitchen utensils (e.g. spoons for stirring and serving food) into the kettle while it is boiling water or maintaining a temperature (depending on the kettle model).
- Pay extra attention when handling a kettle filled with hot water.
- Be especially careful when pouring water out of the kettle to avoid scalding by the boiling water or steam.
- Do not place the kettle on an electric or gas stove or in its vicinity, do not place it in the vicinity of an open fire or an appliance that is a source of heat.
- Clean it according to the instructions in chapter Cleaning and maintenance.
- Do not use the kettle when it is not functioning correctly or after it has fallen on the floor, been submerged in water or is showing visible signs of damage or if leaking. Hand it over to an authorised service centre for inspection or repair.

DESCRIPTION OF THE KETTLE

A



- A1** Lid
- A2** Safety lid lock
- A3** Spout with a removable filter inside
- A4** Base with a central connector

- A5** I/O Switch (On/Off)
- A6** Water level mark
- A7** Handle
- A8** Power On indicator light

Electric Kettle

SWK 1501GR / SWK 1502BL / SWK 1503OR / SWK 1504RD / SWK 1505VT / SWK 1506YL / SWK 1507TQ

EN

BEFORE FIRST USE

1. Remove all wrapping material from the kettle and its base.
2. Fill the kettle with clean water up to the maximum water mark. Boil the water and empty the contents of the kettle. Repeat this process 2 to 3 times.



Note:

To boil water in the kettle proceed according to the instructions in chapter Using the kettle.

3. Now the kettle is ready for use and for preparing warm beverages, etc.

USING THE KETTLE

1. Set the desired length of the power cord. Push the power cord into the groove in the base. Place the base on a stable, even and clean surface.
2. Fill the kettle with the required amount of water. You may fill the kettle through the spout or through the opening after lifting the lid. To open the lid, press the safety lid lock **A2** in the direction of the handle. The water level must reach at least the minimum mark (0.5 l) and must not exceed the maximum mark (1.5 l).



Warning!

Never fill the kettle if it is located on the base. If the kettle is overfilled, then boiling water could splash out.

3. Place the kettle on the base. Insert the power plug into the an electrical power socket. Check that the lid of the kettle is closed.
4. Start the kettle by moving the switch to position I (On). The power On light will illuminate.



Attention:

Do not turn on the kettle if it is empty. The incorrect use of the kettle may negatively affect its lifetime. If you accidentally turn on the kettle without water, the thermostat will, after reaching a certain temperature, interrupt the electric circuit and the power On light will turn off. The kettle can be used again after several minutes, as soon as its stainless steel bottom has cooled down.

5. As soon as water boils the kettle will turn off automatically and the power On light will turn off. Before taking the kettle off the base, check that it has turned itself off automatically. If it has not automatically turned itself off, turn off the kettle manually by moving the switch to position 0 (Off).



Note:

The operation of the kettle can be interrupted at any time by moving the switch to position 0 (Off).

6. Pour the boiled water into a prepared container, cup or mug. Make sure that the kettle remains in a horizontal position when it is carried, particularly if it is filled all the way up the maximum mark. If you wish to open the lid to refill the kettle, first empty all the contents from the kettle so that you are not scalded by the escaping steam.
7. After you finish using the kettle, disconnect the power cord from the el. power socket. Empty the kettle and allow it to cool down.

CLEANING AND MAINTENANCE

Cleaning the filters

- The removable filter serves to capture scale deposits and prevent them from getting into the prepared beverage. Regularly clean the filter under running water using a fine nylon brush or submerge it for several hours into a vinegar-water solution (recommended dilution ratio 1:2). After applying the solution rinse the filter under clean running water.

Electric Kettle

SWK 1501GR / SWK 1502BL / SWK 1503OR / SWK 1504RD / SWK 1505VT / SWK 1506YL / SWK 1507TQ

Cleaning the kettle

- Regularly remove water scale deposits from inside the kettle based on how frequently the kettle is used. During standard use of the kettle (3 to 5 times per day), we recommend to remove water scale deposits:
 - once per month in areas with hard and very hard water;
 - once every two to three months in areas with soft and medium soft water.
- To remove water scale deposits it is possible to use:
 - 8% white vinegar, generally available in stores. Put ½ l of vinegar into the kettle and allow it to settle for 2 hours without boiling. Then empty the kettle and before further use boil clean water in it four to five times.
 - citric acid. Boil ½ l of water in the kettle, into the boiled water add 30 g of citric acid and allow it to settle for about 30 minutes. Then empty the kettle and before further use boil clean water in it four to five times.
- To clean the exterior of the kettle use a dry cloth or a cloth dipped in a weak solution of neutral kitchen detergent. After applying the kitchen detergent, wipe the surface with a lightly damp cloth and then wipe dry.
- To clean the base use only a drycloth.
- To clean the kettle and the base never use cleaning agents causing abrasion, petrol, solvents, etc.

TECHNICAL SPECIFICATIONS

Nominal voltage	230 V
Nominal frequency	50 Hz
Rated power input	2000 W
Capacity	1.5 l

We reserve the right to change text and technical specifications.

INSTRUCTIONS AND INFORMATION REGARDING THE DISPOSAL OF USED PACKAGING MATERIALS

Dispose of used packaging material at a site designated for waste in your municipality.

DISPOSAL OF USED ELECTRICAL AND ELECTRONIC EQUIPMENT



This symbol on products or original documents means that used electric or electronic products must not be added to ordinary municipal waste. For proper disposal, renewal and recycling hand over these appliances to determined collection points. Alternatively, in some European Union states or other European countries you may return your appliances to the local retailer when buying an equivalent new appliance.

Correct disposal of this product helps save valuable natural resources and prevents potential negative effects on the environment and human health, which could result from improper waste disposal. Ask your local authorities or collection facility for more details.

In accordance with national regulations penalties may be imposed for the incorrect disposal of this type of waste.

For business entities in European Union states

If you want to dispose of electric or electronic appliances, ask your retailer or supplier for the necessary information.

Disposal in other countries outside the European Union.

This symbol is valid in the European Union. If you wish to dispose of this product, request the necessary information about the correct disposal method from the local council or from your retailer.



This product meets all the basic requirements of EU directives related to it.