

Vacuum cleaner

User's manual

EN



SENCOR®

SVC 65BL / 65GR / 65VT / 65YL (Boffin)

Before first use, please read all instructions contained in this user's manual carefully, even if you are already familiar with using similar products. Only use this product in accordance with the instructions described in the user's manual. Keep the manual for future use.

Save the original packaging, including the internal packing material, warranty card and proof of purchase receipt, at least for the duration of the warranty. If you need to ship this appliance, pack it in the original cardboard box to ensure maximum protection during shipping or transport (e.g. when moving or when you need to send this product for repair).

Vacuum cleaner

SVC 65BL / 65GR / 65VT / 65YL (Boffin)

CONTENTS

IMPORTANT SAFETY NOTICE	2
DESCRIPTION OF THE VACUUM CLEANER	5
VACUUM CLEANER ASSEMBLY	6
VACUUM CLEANER OPERATION	6
VACUUM CLEANER ACCESSORIES	7
VACUUM CLEANER STORAGE	8
CLEANING AND MAINTENANCE	8
TROUBLESHOOTING	10
TECHNICAL SPECIFICATIONS	11
DISPOSAL OF USED ELECTRICAL AND ELECTRONIC EQUIPMENT	12
INSTRUCTIONS AND INFORMATION REGARDING THE DISPOSAL OF USED PACKAGING MATERIALS	12

Vacuum cleaner

SVC 65BL / 65GR / 65VT / 65YL (Boffin)

EN

IMPORTANT SAFETY NOTICE

- 1) Carefully unpack the product and take care not to throw away any part of the packaging before you find all the parts of the product.
- 2) This appliance may be used by children 8 years of age and older and by persons with physical or mental impairments or by inexperienced persons, if they are properly supervised or have been informed about how to use of the appliance in a safe manner and understand the potential dangers. Do not allow children to play with the appliance. Cleaning and maintenance performed by the user must not be performed by unsupervised children.
- 3) Before connecting this appliance to a wall socket, make sure the voltage stated on the label of the appliance corresponds to the voltage in your wall socket.
- 4) Never use accessories, which have not been supplied with this appliance or which are not designed for this appliance.
- 5) Do not place the power cord near hot places or sharp objects. Do not place heavy objects on the power cord. Position the power cord so that it will not be stepped on or tripped over. Make sure the power cord is not touching a hot surface.
- 6) If the power cord of the appliance is damaged have it repaired by an authorised service technician to prevent causing a dangerous situation. It is forbidden to use the appliance if it has a damaged power cord or plug.
- 7) Do not disconnect the power cord from the wall outlet by pulling the cord.
- 8) In no case should you attempt to repair the unit yourself, do not make any amendments to it - danger of electric shock! Entrust all repairs and adjustments to a specialised company/service. Failure to do so will expose you to a danger of voiding the warranty policy.
- 9) Never use the appliance if you have wet hands or feet.
- 10) Only store and use the appliance away from flammable or volatile materials and solutions.
- 11) This appliance is designed for household use. Do not use it in industrial surroundings or outdoors!
- 12) Do not use the appliance for purposes other than those intended.
- 13) Do not spray the appliance with water or any other liquid. Do not pour water or any other liquids into the appliance. Do not submerge the appliance in water or in any other liquid.
- 14) Make sure the appliance does not come in contact with water. Never use the appliance near a bathtub, wash basin or any other containers filled with water.
- 15) If you are not using your appliance, disconnect the power cord from the power socket.
- 16) If you will not be using the appliance, turn it off and disconnect the power cord from the wall outlet. Prior to cleaning, proceed in the same manner.
- 17) Never leave the appliance switched on without supervision.
- 18) In order to avoid deformation of the plastic components of the vacuum cleaner or to prevent it from catching on fire, do not expose the vacuum to direct sunlight, do not place it close to heaters, open fires or other sources of heat and do not leave the vacuum cleaner operating for too long if the air inflow vent is blocked.
- 19) Use extra care if the appliance is used near children. Always keep the appliance out of the reach of children.
- 20) If the appliance is being used, do not block the air inflow and outflow vents. Blocked air vents can cause overheating and motor damage.
- 21) Vacuuming the below mentioned objects can damage your appliance or cause injuries to the operating person:
 - wet floor, water or other liquids
 - any type of sharp objects such as broken glass or ceramics, needles, pins, etc.
 - burning cigarettes, or smouldering pieces, matches or any other flammable or volatile liquids (e.g. gasoline, paint thinners, etc.)
 - flour, cement, plaster (i.e. dust from holes drilled in walls)
- 22) In order to avoid damaging furniture or injuries to persons, hold the cord in your hands as it winds up.
- 23) Do not vacuum larger pieces of paper or plastic bags. They may easily clog the pipe or hose. In case the vacuum becomes clogged for any reason, turn it off by removing it from the electric socket and clean the pipe or hose.
- 24) In order to avoid damage to the hose, do not step on it or forcefully bend it. Do not use the vacuum if the hose is bent or damaged in any other way.

Vacuum cleaner

SVC 65BL / 65GR / 65VT / 65YL (Boffin)

- 25) Do not move over the power cord with the vacuum cleaner.
- 26) Never use the vacuum cleaner without having inserted the dust bag, the inflow micro-filter or the outflow filter.
- 27) Do not place the vacuuming hose, inlet nozzle or vacuuming accessories near to your eyes or ears.
- 28) Vacuuming of some types of floors or floor surfaces can create a static electricity charge, which is not dangerous for the user.

The manufacturer is not responsible for damages caused by incorrect use of this appliance or its accessories. Such damages include food spoilage, injuries, burns, scalding, fire, etc.

Vacuum cleaner

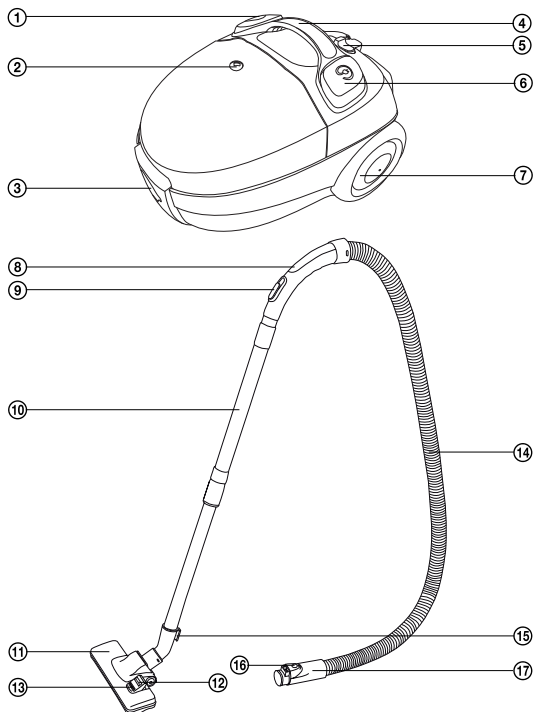
SVC 65BL / 65GR / 65VT / 65YL (Boffin)

EN

DESCRIPTION

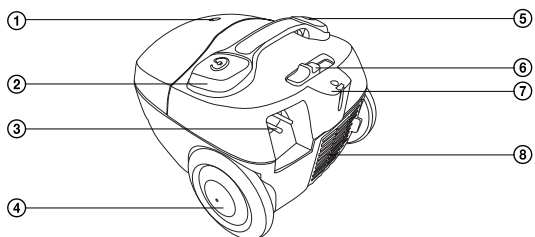
A

- ① START/STOP button
- ② Full dust bag indicator
- ③ Vacuum hose connection hole
- ④ Handle
- ⑤ Motor power output control
- ⑥ Cord winding button
- ⑦ Transport wheel
- ⑧ Handle
- ⑨ Sliding knob for air suction
- ⑩ Two-part plastic tube
- ⑪ Floor inlet nozzle
- ⑫ Flap position for vacuuming hard (smooth) floors
- ⑬ Flap position for vacuuming carpets
- ⑭ Hose
- ⑮ Stopper for the horizontal parking position
- ⑯ Locking lugs
- ⑰ Hose end



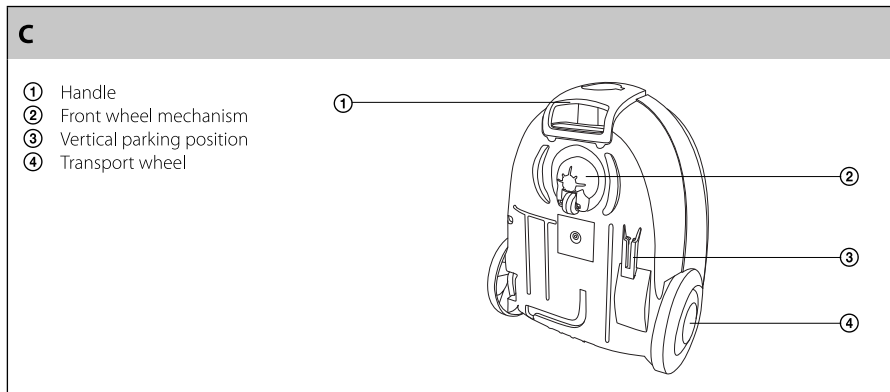
B

- ① Full dust bag indicator
- ② Cord winding button
- ③ Power cord
- ④ Transport wheel
- ⑤ START/STOP button
- ⑥ Motor power output control
- ⑦ Horizontal parking position
- ⑧ Outflow micro-filter grill



Vacuum cleaner

SVC 65BL / 65GR / 65VT / 65YL (Boffin)



ASSEMBLY

Inserting the hose into the air suction hole on the vacuum cleaner.

Insert the hose end into the hole in the vacuum cleaner and turn it so that both lugs on the hose end lock in. The hose is now secured in correct position.

Attach the holder to the telescopic tube:

Make sure to place the holder with the hose on the wider part of the tube.

Attach the floor inlet nozzle to the tube:

Place the floor nozzle on to the narrower part of the tube and place the second part of the tube on to it.

USING YOUR VACUUM CLEANER

Connecting your vacuum cleaner to the electrical power grid

Pull the plug attached to the power cord out from the vacuum cleaner until the desired length of the cord is out of the appliance. Insert the plug into a power socket.



Caution:

Yellow marking on the power cord warns that the power cord is close to its end. Do not pull the cord further than the red marking.

Adjusting the floor inlet nozzle according to the floor surface.

You may set the inlet nozzle according to the floor surface by adjusting the inlet flap:

- If you want to vacuum carpets, close the bristles of the inlet inside the inlet nozzle, by turning the flap accordingly.
- If you want to vacuum hard and smooth surfaces, move the bristles out of the nozzle, by turning the flap accordingly.

Vacuum cleaner

SVC 65BL / 65GR / 65VT / 65YL (Boffin)

EN

Turning your vacuum cleaner on and off

To switch your machine on or off, press the START / STOP button on the vacuum cleaner body.

Adjusting the suction strength

The suction strength may be adjusted by moving the rider on the appliance's body or adjusted in a smaller range using the sliding flap on the hose handle.



Tips

- Use the maximum suction strength when vacuuming carpets or floors with a hard surface. Use the reduced strength when vacuuming upholstery, window curtains, etc.
- If the hose holder becomes blocked when vacuuming, disconnect it from the telescopic tube and also disconnect the hose from the vacuum cleaner body. Then place the holder inside the suction hole on the vacuum cleaner body and vacuum the stuck dirt out.

Temporary interruption of the vacuuming process

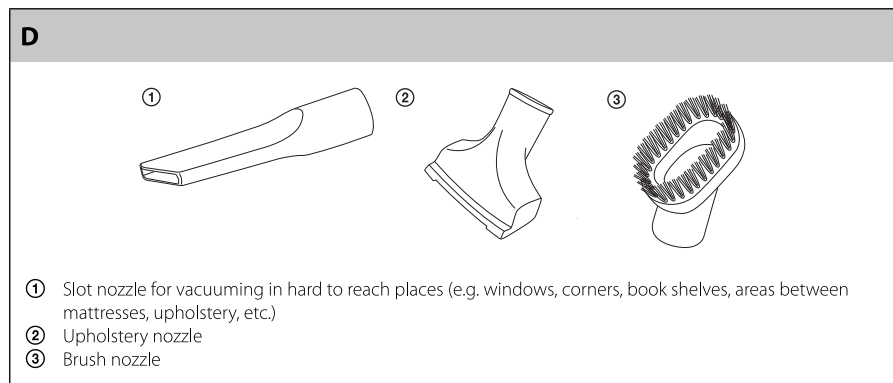
If you want to temporarily stop vacuuming, you can use one of the so-called parking positions, into which you slide the stopper on the floor nozzle together with the tube and hose (pic. A15).



Attention:

Do not move the vacuum cleaner from place to place if the hose is in the parked position! It may break off or the lug for the floor nozzle may break off.

USING YOUR ACCESSORIES



Ending the vacuuming process

When you finish vacuuming, switch the vacuum cleaner off by pressing the START / STOP button and then disconnect the power plug from the socket.

To wind the power cord back to the vacuum cleaner, press and hold the winding button with one hand. Hold the cord with your other hand to protect the vacuum cleaner input area from damage



Tip:

If the winding process stops and part of the power cord is still outside, release the winding button and pull the cable out again by about 50 cm and press the winding button again and repeat the winding process.

Vacuum cleaner

SVC 65BL / 65GR / 65VT / 65YL (Boffin)

Carrying your vacuum cleaner

It is possible to hold and carry the vacuum cleaner using the top handle (pic. A④) or the bottom handle at the front of the vacuum cleaner (pic. C①).

STORAGE OF VACUUM CLEANER

Before storage you can disassemble your appliance to each individual part or you can store it assembled with the tube stored in one of the parking positions.

CLEANING AND MAINTENANCE

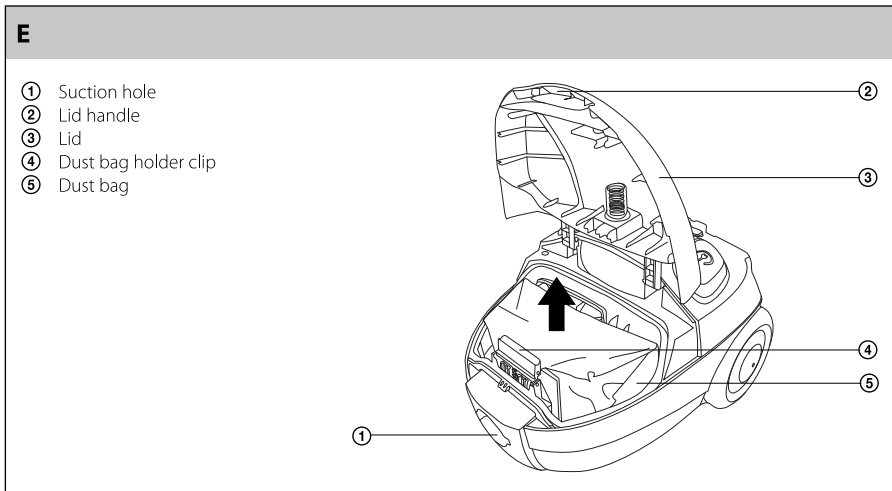


Caution:

Before cleaning disconnect this appliance from the power source.

Changing the dust bag

Replace the dust bag as soon as the full dust bag warning light comes on; otherwise the air flow and the suction strength will be reduced.



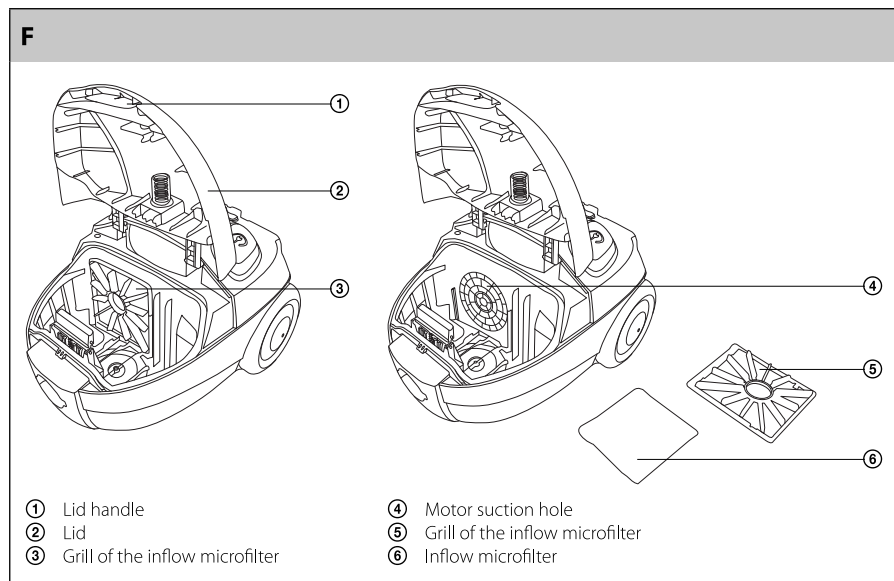
- 1) Pull the lid handle upwards to tilt it out.
- 2) Tilt out the dust bag holder clip by pulling it outwards from the dust bag compartment.
- 3) Carefully take out the dust bag holding the paper collar and replace it with a new one.
- 4) Insert the new dust bag with the cut-out facing downwards into the plastic moulds located on the floor of the dust bag compartment ensuring that the hole in the dust bag collar is perfectly flush with the rubber collar of the suction hole inside the dust bag compartment.
- 5) Snap in the dust bag holder clip and close the lid.

Vacuum cleaner

SVC 65BL / 65GR / 65VT / 65YL (Boffin)

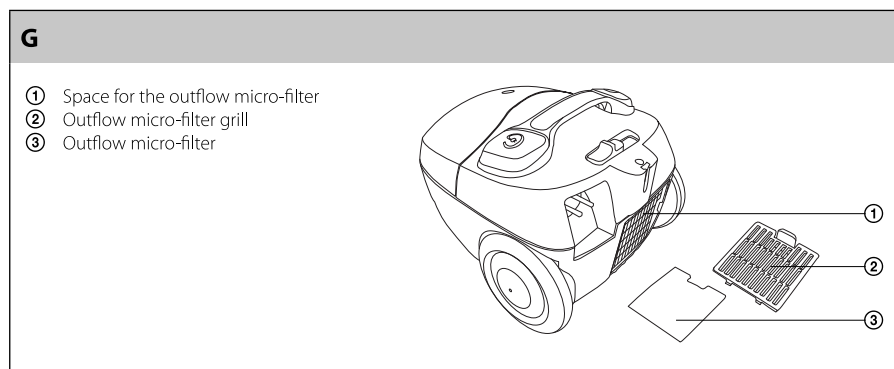
EN

Changing the inflow micro-filter



- 1) Pull the lid handle upwards to tilt it out.
- 2) Pull upwards to remove the grill together with the inflow micro-filter.
- 3) Wash the inflow micro-filter under running lukewarm water and if necessary replace it with a new one.
- 4) Reinsert the inflow micro-filter together with the grill into the space in front of the motor suction hole. Take care to insert the grill in the correct way; the wider part of the frame must always point downwards.

Changing the outflow micro-filter



Vacuum cleaner

SVC 65BL / 65GR / 65VT / 65YL (Boffin)

- 1) First take off the grill of the outflow micro-filter by pressing the clip while pulling the entire grill towards you.
- 2) Wash outflow micro-filters under running lukewarm water and if necessary replace with new ones.
- 3) After reinserting the outflow micro-filters, attach the cover and click in the clip.



Attention:

Never insert the filters back into the vacuum cleaner if they are wet or damp! Always wait until they are thoroughly dry.

Cleaning your vacuum cleaner.

To clean the outside parts of the appliance use a fine cloth dipped in lukewarm water. Do not use aggressive cleaning agents, paint thinners or solvents. Using these solutions could damage the surface of the appliance.

TROUBLESHOOTING

Before you decide to contact an authorized service centre, please read these following tips in the troubleshooting chart:

Problem	Possible cause	Recommended action
The engine will not start	<ul style="list-style-type: none"> - The power cord is not firmly inserted in the socket - The wall power outlet is damaged - The vacuum cleaner is not switched on 	<ul style="list-style-type: none"> - Insert the plug firmly into the power outlet - Inspect the power outlet - Turn the appliance on.
The suction output is insufficient	<ul style="list-style-type: none"> - The appliance is clogged - The dust filter needs cleaning. - The filter is clogged 	<ul style="list-style-type: none"> - Remove the blockage or foreign object - Clean the dust filter - Clean the filter
The power cord is not wound in completely	The power cord may have slipped down from the winding pulley during winding.	Hold the power cord during the winding. Apply slight tension (by pulling the power cord back) to the power cord during the winding process
The power cord cannot be pulled out	The power cord is wound up incorrectly	Press the winding button and try to rewind the power cord again
The speed control is not working.	The product is broken down	Have the appliance repaired by technician. (only by a qualified technician).
The power cord starts to wind in when you do not required.	The winding mechanism has broken down	Have the appliance repaired by technician. (only by a qualified technician).

Vacuum cleaner

SVC 65BL / 65GR / 65VT / 65YL (Boffin)

EN

TECHNICAL SPECIFICATIONS

Nominal voltage	220 - 240 V AC
Nominal frequency	50 Hz
Suction power	250 W
Nominal power input	1200 W
Maximum power input	1400 W
Safety class (with regard to electric shock protection)	II
Noise level	< 80 dB(A)
Length of the power cord	5 m
Operating range	7.5 m
Dust bag capacity	1.5 l
Dimensions (length x width x height)	339 x 273 x 222 mm
Weight	3.4 kg

The declared noise emission level of the appliance is 80 dB(A), which represents a level A of acoustic power with respect to a reference acoustic power of 1 pW.

Amendments to text and technical parameters are reserved.

Vacuum cleaner

SVC 65BL / 65GR / 65VT / 65YL (Boffin)

INSTRUCTIONS AND INFORMATION REGARDING THE DISPOSAL OF USED PACKAGING MATERIALS

Dispose of packaging material at a public waste disposal site.

DISPOSAL OF USED ELECTRICAL AND ELECTRONIC APPLIANCES



The meaning of the symbol on the product, its accessory or packaging indicates that this product shall not be treated as household waste. Please, dispose of this product at your applicable collection point for the recycling of electrical & electronic equipment waste. Alternatively in some states of the European Union or other European states you may return your products to your local retailer when buying an equivalent new product. The correct disposal of this product will help save valuable natural resources and help in preventing the potential negative impact on the environment and human health, which could be caused as a result of improper liquidation of waste. Please ask your local authorities or the nearest waste collection centre for further details. The improper disposal of this type of waste may fall subject to national regulations for fines.

For business entities in the European Union

If you wish to dispose of an electrical or electronic device, request the necessary information from your seller or supplier.

Disposal in other countries outside the European Union

If you wish to dispose of this product, request the necessary information about the correct disposal method from local government departments or from your seller.



This product meets all the basic EU regulation requirements that relate to it.

Changes to the text, design and technical specifications may occur without prior notice and we reserve the right to make these changes.