

Wine cooler

USER'S MANUAL

PHILCO



Famous for Quality the World Over

PW 12 DZ

Dear customer,

Thank you for buying a PHILCO brand product. So that your appliance serves you well, please read all the instructions in this user's manual.

CONTENTS

PART 1: BEFORE PUTTING INTO OPERATION	2
Safety precautions	2
PART 2: DESCRIPTION OF THE APPLIANCE	4
PART 3: INSTALLATION	5
Transport and unpacking.....	5
Installing the door handle.....	5
Operating conditions.....	5
Placement	6
Cleaning before use.....	7
Electrical connection.....	7
PART 4: CONTROLS	8
Turning on / off	8
Turning the internal lighting on / off.....	8
Setting the temperature	8
Storing wine.....	8
PART 5: REGULAR MAINTENANCE	9
Cleaning the appliance	9
Moving the appliance.....	10
Energy saving tips.....	10
PART 6: WHAT SHOULD I DO WHEN.....	11
PART 7: TECHNICAL SPECIFICATIONS.....	13

PART 1: BEFORE PUTTING INTO OPERATION

Safety precautions

Symbols:



General advice for the optimal operation of the appliance



General dangers



Hot surfaces

Before you put the appliance into operation

Important

This appliance is designed exclusively for storing bottles of wine. Do not use the appliance for purposes other than those for which it was designed.

- Carefully study the user's manual and installation instructions before installing and using the appliance! This user's manual includes important information regarding the installation, operation and maintenance of the appliance. Store the user's manual also for future reference, or for other owners of the appliance if the appliance is sold.



After unpacking the appliance, carefully inspect that it has in not been damaged in any way. Also check that the power cord is not damaged. If you discover any defects, turn off the appliance and contact the vendor or in the case of a damaged power cord contact the service centre. If the appliance and all its parts are in order, install it according to the instructions in the relevant chapter.

- When installing the appliance in its place, or when moving the appliance, the power cord could be penetrated or damaged. Check that the power cord is not interfering anywhere.
- Before connecting the appliance to the electricity power source check that the capacity of the system corresponds to the specifications on the appliance's rating label.
- Any kinds of home electric wiring necessary for the connection of the appliance must only be carried out by a qualified electrician.



If you move the appliance from its usual position, it is necessary to understand, that although you have disconnected the power cord, the components on the rear side of the appliance may remain very hot for some time.



This appliance may be built-in. Nonetheless, do not cover or block the air inflow or outflow openings. Insufficient ventilation will cause poor operation and damage to the appliance.

Operating the appliance

- Use the appliance only for the purposes for which it has been designed.
- This appliance is designed only for household use, for storing bottles of wine.
- The temperature inside the wine cooler may rise or fall slightly and so these appliances are not suitable for storing products (e.g. medicines), which require a stable temperature.



Do not use any other electric appliances (e.g. heating elements, electric ice cream machines, etc.) inside the appliance. There is a danger of explosion!



Do not place food inside the wine cooler containing flammable propulsion gases (e.g. sprays) and no explosives, contaminants or volatile substances. There is a danger of explosion!

- Do not use the base, racks, door of the appliance, etc. as a step or as a support. There is a danger of injury to persons or damage to the appliance.
- Ensure that the plastic parts of the appliance and the door seals are not soiled with oil or grease. The plastic parts and the seals would then become porous.

Children in the household

- Never leave packaging and its parts with the children. There is a danger of poisoning or suffocation by the cardboard boxes and plastic sheets!
- This appliance is in no way a toy for children!
- For appliances with door locks: do not leave keys within the reach of children!
- If you will no longer be using the wine cooler, remove the door, seals and store it in a safe place. In this way you will prevent the danger of children becoming trapped inside the wine cooler.

Maintenance and cleaning



Before you begin with regular or exceptional maintenance, disconnect the appliance's power cord or turn off the fuse or circuit breaker. Never pull the electric power cord, only pull on the power plug.

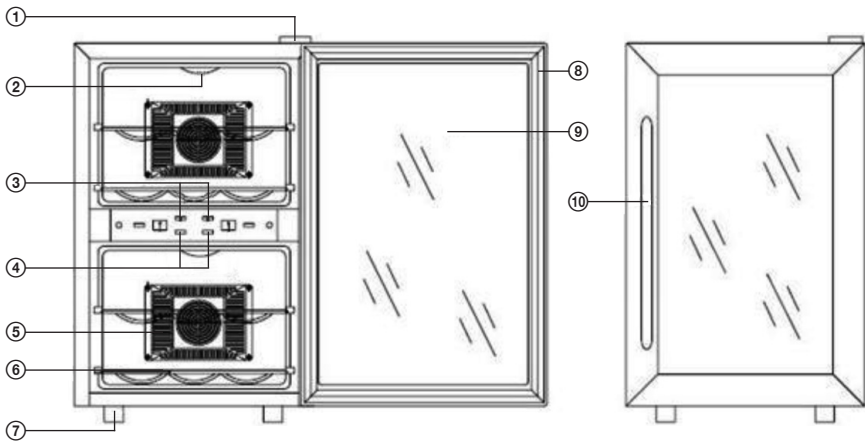


Do not clean the appliance using a steam cleaning device! The steam may come into contact with the electric components inside the appliance, where a short circuit could occur. There is a danger of electric shock!

General instructions

- This appliance must not be used by persons (including children) with physical, sensory or psychological impairments or by inexperienced persons, unless properly trained or schooled in the safe use of the appliance, or unless they have been properly supervised by a person who will be responsible for their safety. Children should be supervised so as not to play with the appliance.
- This appliance has been tested in accordance with the directives in force in the European Union.
- The tightness of the cooling circuit has been verified.
- This appliance conforms to the relevant safety provisions for electrical appliances in force in the European Union.

PART 2: DESCRIPTION OF DEVICE



- ① Hinge
- ② Lighting
- ③ Temperature setting buttons
- ④ Temperature display
- ⑤ Fan cover

- ⑥ Rack
- ⑦ Levelling feet
- ⑧ Door frame
- ⑨ Glass door pane
- ⑩ Handle

PART 3: INSTALLATION

Transport and unpacking

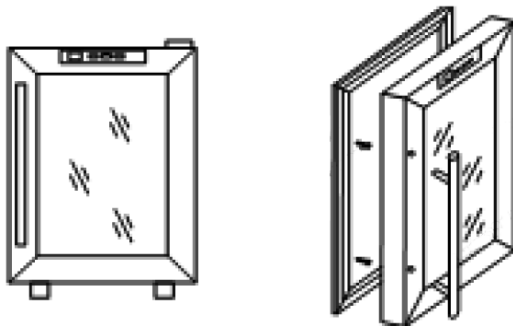
Remove the external packaging, remove the protective plastic film from the surface of the appliance (if used) and clean the external parts of the appliance with an agent designed for this purpose. Do not use steel wool or any coarse agents, which could irreparably damage the surface of the appliance. Carefully remove all papers and adhesive tape from the appliance, door and other parts packed in polystyrene. Remove documents and accessories from inside the appliance.

The packaging material is recyclable and is marked with a recycling symbol. For disposal follow the local regulations. Packaging materials (plastic bags, polystyrene parts, etc.) must be kept out of the reach of children, because they present a possible source of danger.

Carefully inspect the appliance. If you discover any defects, stop the installation and contact the vendor.

Installing the door handle

Attach the door handle using bolts, washers and a screwdriver – see picture. Screw in properly.



Operating conditions

Proper operation of the appliance is guaranteed only if the following conditions are met:

- The temperature in the room where the appliance is located conforms to the climate class stated on the appliance's rating label.
- Maximum ambient relative humidity: 90%.
- The appliance must be placed at a sufficient distance from heat sources (e.g. baking ovens, central heating, direct sunlight, etc.).
- The appliance must be located in such a place that it is protected against the effects of weather.
- Regular maintenance is performed according to the instructions in this user's manual.
- The ventilation openings in the cover of the appliance must not be covered by anything.
- Correct installation (e.g. levelling, the capacity of the system corresponds to the specifications on the rating label of the appliance).

Table – Climatic class

Climatic class	Ambient temperature
SN	+10°C to +32°C
N	+16°C to +32°C;
ST	+16°C to +38°C
T	+16°C to +43°C

Placement

The location for the placement of the appliance must meet the requirements in the paragraph "Operating conditions" and must have a stable floor with a load bearing capacity corresponding to the weight of the appliance.

Level the appliance using the adjustable feet, ensure there is a gap between the bottom edge of the appliance and the ground, so that there is sufficient circulation of the cooling air, by which you will ensure the optimal performance of the cooling system.

Use the appliance only for the purposes for which it has been designed.
The appliance must be located on a rigid and even surface.

- If possible, place the appliance into a cool, well ventilated and dry room.
- Do not locate the appliance in direct sunlight, or in a room with a high temperature, in the vicinity of any sources of direct heat, such as heating, an oven, a stove, etc. – this would mean that the compressor would need to work a lot harder resulting in a substantially higher power consumption level.

If it is not possible to prevent the installation in the vicinity of a heat source, we recommend the insertion of an appropriate insulating board (do not use asbestos) between the appliance and the heat source; or at least to maintain the following minimum distances:

- From a gas or electric stove 3 cm;
- From a heater or oven, etc. 30 cm;
- From another cooling appliance 2 cm.

Do not place any appliances on the appliance, which release heat on to the appliance, such as microwave ovens, toasters, etc.

Never cover the ventilation grill. Pull out the power plug by pulling on the plug itself, never pull on the cord when disconnecting the appliance.



Before turning on the appliance allow it to stand in its final location for 12 hours, the coolant circuit will stabilise in this way and no operating problems will occur. Before connecting the appliance to the power grid check that it is perfectly dry inside – especially in the corners.

Cleaning before use

Check that you have removed from the appliance all adhesive tape used to hold accessories. Then clean all the inside parts using lukewarm water with a neutral cleaning agent, vinegar or sodium carbonate – in this way you will remove the characteristic odour of new parts – then dry carefully. Do not use detergents or aggressive agents, which could damage the surfaces.

Electrical connection

Before connecting the power plug to the power socket, check that:

- Your hands are completely dry.
- The voltage and frequency shown on the performance label of the appliance corresponds to that in the home power grid (permitted tolerance from -6% to +6% for nominal voltage, for use with different voltages, use a voltage changer with the corresponding parameters).
- The cord and the plug are not damaged or caught under heavy objects.
- The power cord is not excessively tensioned, it is not permitted to use an extension cord.



Do not connect the appliance to a voltage rectifier (e.g. solar power plant) or use an extension cord.



The appliance must be connected to a working grounding lead.

If the power socket of the home system is not grounded in accordance with the current legal regulations, connect the appliance after consulting a specialised technician to the grounding lead itself.

The manufacturer takes no responsibility for injuries caused as a result of not following these instructions.



If you do not correctly level the appliance during the installation, the door may not close shut and seal properly, which may cause problems with the cooling, ice build up or moisture. Levelling the appliance is very important.



Level the appliance using the levelling feet – turn them clockwise to lift the appliance and turn them anticlockwise to lower the appliance.

PART 4: CONTROLS

Turning on / off

The appliance will turn on automatically after the power cord is connected to a power socket.

Turning the internal lighting on / off

Press the internal lighting button to turn the internal lighting on / off.
The internal area will remain lit until you press the internal lighting button.

Display

The display shows the set temperature. If you change the temperature on the display, then the time after which the temperature inside the appliance changes will depend on the extent of the change, ambient temperature and contents.

WARNING:

To prevent the stored wine from spoiling, it is necessary to regularly check the appliance and in the event of a malfunction to contact an authorised service centre.

Setting the temperature

- The temperature may be set in the range 7 – 18 °C.
- To set the temperature, repeatedly press the increase or decrease temperature buttons. Each time the temperature setting buttons are pressed the temperature will be increased or decreased by 1°C.

NOTE:

When it is first turned on or turned on after being off for a long time, it is possible that there will be a difference between the set temperature and the temperature shown on the display. This is normal and this difference will disappear after several hours.

Storing wine

- The racks are designed for storing wine in Bordeaux type bottles. The maximum number of bottles may differ depending on the size and dimensions of the actual bottles.
- To prevent damaging the seal, check that the door is fully open before sliding out the rack.
- Store only originally corked wine bottles.
- Do not cover the rack with aluminium foil or any other material in any way that could prevent the free circulation of air.
- If you will not be using the appliance for an extended period of time, we recommend that you disconnect the power cord from the power socket, clean it and leave the door slightly open so that air can circulate freely avoiding undesirable odours, moisture, etc.

Table of recommended wine storage temperatures

Type of wine	Recommended temperature
Red wine	15 – 18 °C (59 – 64 °F)
Dry / White wine	9 – 14 °C (48 – 57 °F)
Rosé wine	10 – 11 °C (50 – 52 °F)
Sparkling wine	7 – 9 °C (41 – 47 °F)

PART 5: REGULAR MAINTENANCE

Cleaning the appliance

Before commencing to clean the refrigerator disconnect it from the power source.

- Wipe the internal surface of the appliance with a soft sponge lightly dipped in a table salt solution. Add 2 tablespoons of table salt into 1 litre of warm water.
- Wash the racks in warm water with a small amount of kitchen dishwashing liquid, rinse and wipe dry. Allow the wooden racks (if the wine cooler has them) to dry completely before returning them to the wine cooler.
- All parts that you wash with a soft sponge lightly dipped in water must be properly wiped dry.
- Wipe the outer surface with a soft sponge lightly dipped in water with a small amount of dishwashing liquid. Wipe dry using a clean cloth.

WARNING:

Do not use steel wool or sponges with steel wool on stainless steel surfaces. They could damage the surface.

Do not use cleaning waxes, concentrated cleaning agents, bleaches or cleaning products containing kerosene on the plastic or rubber parts.

Never use paper towels or window cleaners on the plastic parts.

The use of steam cleaning appliances is extremely dangerous and so is strictly forbidden.

Power outage

Most power outages are rectified within a few hours and should not have an effect on the temperature inside the appliance if you limit its ventilation. However, in the event of an extended power outage it is necessary to take appropriate steps to prevent the contents inside the appliance from spoiling.

TAKING OUT OF OPERATION FOR AN EXTENDED PERIOD

If you are not going to use the refrigerator for an extended period of time, do the following:

Disconnect the refrigerator from the power source by pulling it out of the power socket. Clean out the inside and dry it out as described in the part Cleaning the refrigerator. Leave the door open to prevent an unpleasant odour forming inside.

Moving

- Before moving it, it is necessary to remove all contents from the appliance.
- Secure freely moving parts inside the wine cooler (racks), e.g. using adhesive tape.
- To prevent damage, screw in the levelling feet.
- Secure the door, e.g. using adhesive tape.
- Ensure that the appliance always remains in a vertical position while being transported. To prevent the appliance from damage during transport you can cover it with a blanket or another soft textile.

Energy saving tips

- Locate the appliance away from sources of heat and out of direct sunlight.
- Ensure sufficient ventilation. Under no circumstances should you cover the ventilation openings.
- Only open the door when necessary. Do not leave the door open for a long time or open / close the door too often.

PART 6: WHAT SHOULD I DO WHEN...

If the appliance is not working as it should, prior to calling an authorised service centre, read the instructions below, which will help you remedy the most common problems with the appliance. However, should the problem persist or you are unable to remedy it yourself, immediately turn the appliance off, disconnect it from the power socket and contact an authorised service centre.

Under no condition should you repair the appliance yourself.

a) The appliance is not working.

Please check whether:

- the plug is inserted in a power socket;
- the appliance turned on.

b) The appliance does not cool sufficiently.

Please check whether:

- the temperature is correctly set;
- due to the ambient temperature it may be necessary to increase the temperature;
- the door is being opened too frequently;
- the door is properly closed;
- the seal is properly seated and is sealing sufficiently.

c) The temperature on the display is higher than the set temperature

Please check whether:

- the room temperature is higher than usual;
- you have added too much wine at once;
- the door is being opened too frequently;
- the door is properly closed;
- the seal is properly seated and is sealing sufficiently.

d) The light is not working.

Please check whether:

- the plug is inserted in a power socket;
- the light is turned off.

e) Excessive vibrations.

Please check whether:

- the appliance is levelled;
- there is anything loose inside the appliance or the fan.

f) The door does not shut and seal properly.

Please check whether:

- the appliance is levelled;
- the door is turned upside down or incorrectly installed;
- the seal is dirty;
- the racks are in their correct location.

PART 7: TECHNICAL SPECIFICATIONS

Marking	PW 12DBZ
Number of bottles (pcs.)	12
Volume (l)	33
Cooling power	7-18°C
Voltage frequency	220-240V/50Hz
Power output	140 W
Energy class	C
Power consumption (kWh/24h)	1.0 (15°)
Annual power consumption in kWh	219
Dimensions w/d/h (cm)	34/51/53.4
Noise level	45 dB
Weight	15.6 kg
Option to change door opening direction	yes
Temperature zones	2
Climatic class	SN/ST
Colour	Black/stainless steel

NOTE:

All the here mentioned data is subject to change.

INSTRUCTIONS AND INFORMATION REGARDING THE DISPOSAL OF USED PACKAGING MATERIALS

Dispose of packaging material at a public waste disposal site.

DISPOSAL OF USED ELECTRICAL AND ELECTRONIC APPLIANCES



The meaning of the symbol on the product, its accessory or packaging indicates that this product shall not be treated as household waste. Please, dispose of this product at your applicable collection point for the recycling of electrical & electronic equipment waste. Alternatively in some states of the European Union or other European states you may return your products to your local retailer when buying an equivalent new product. The correct disposal of this product will help save valuable natural resources and help in preventing the potential negative impact on the environment and human health, which could be caused as a result of improper liquidation of waste. Please ask your local authorities or the nearest waste collection centre for further details. The improper disposal of this type of waste may fall subject to national regulations for fines.

For business entities in the European Union

If you wish to dispose of an electrical or electronic device, request the necessary information from your seller or supplier.

Disposal in other countries outside the European Union

If you wish to dispose of this product, request the necessary information about the correct disposal method from local government departments or from your seller.



This product meets all the basic EU regulation requirements that relate to it.

Changes to the text, design and technical specifications may occur without prior notice and we reserve the right to make these changes.