

Bagless Stick Vacuum Cleaner

User's manual

EN



SENCOR®

SVC 6301BK / SVC 6301VT

Before first use, please read all instructions contained in this user's manual carefully, even if you are already familiar with using similar products. Only use this product in accordance with the instructions described in the user's manual. Keep the user's manual in a safe place where it can be easily retrieved for future use.

Save the original packaging, including the internal packing material, warranty card and proof of purchase receipt, at least for the duration of the warranty. If you need to ship this product, pack it in the original cardboard box to ensure maximum protection during shipping or transport (e.g. when moving or when you need to send this product for repair).

EN-1

Bagless Stick Vacuum Cleaner

SVC 6301BK / SVC 6301VT

CONTENTS

IMPORTANT SAFETY NOTICE	2
DESCRIPTION OF THE VACUUM CLEANER	5
VACUUM CLEANER ASSEMBLY	6
VACUUM CLEANER OPERATION	7
VACUUM CLEANER STORAGE	9
CLEANING AND MAINTENANCE	9
TROUBLESHOOTING	12
TECHNICAL SPECIFICATIONS	12
DISPOSAL OF USED ELECTRICAL AND ELECTRONIC EQUIPMENT	13
INSTRUCTIONS AND INFORMATION REGARDING THE DISPOSAL OF USED PACKAGING MATERIALS	13

Bagless Stick Vacuum Cleaner

SVC 6301BK / SVC 6301VT

EN

IMPORTANT SAFETY NOTICE

- 1) Carefully unpack the product and take care not to throw away any part of the packaging before you find all the parts of the product.
- 2) This product may not be used by any persons (including children) with mental disabilities, weak strength or by inexperienced persons, unless they have been properly trained or schooled in the safe use of the product, or unless they are properly supervised by a qualified person who is responsible for their safety.
- 3) Children must be supervised to ensure that they do not play with the product.
- 4) Before connecting this product to the power socket, make sure the voltage stated on the label of the product corresponds to the voltage in your wall socket.
- 5) Never use accessories, which have not been supplied with this product or which are not designed for this product.
- 6) Do not place the power cord near hot places or sharp objects. Do not place heavy objects on the power cord. Position the power cord so that it will not be stepped on or tripped over. Make sure the power cord is not touching a hot surface.
- 7) If the power cord of the product is damaged have it repaired by an authorised service technician to prevent causing a dangerous situation. It is forbidden to use the product if it has a damaged power cord or plug.
- 8) Do not disconnect the power cord from the wall outlet by pulling the cord.
- 9) In no case should you attempt to repair the unit yourself, do not make any amendments to it - danger of electric shock! Entrust all repairs and adjustments to a specialised company/service. Failure to do so will expose you to a danger of voiding the warranty policy.
- 10) Never use the product if you have wet hands or feet.
- 11) Only store and use the product away from flammable or volatile materials and solutions.
- 12) This product is designed for household use. Do not use it in industrial surroundings or outdoors!
- 13) Do not use the product for purposes other than those intended.
- 14) Do not spray the product with water or any other liquid. Do not pour water or any other liquids into the product. Do not submerge the product in water or in any other liquid.
- 15) Make sure the product does not come in contact with water. Never use the product near a bathtub, wash basin or any other containers filled with water.
- 16) If you are not using the product, disconnect the power cord from the socket.
- 17) If you will not be using the product, turn it off and disconnect the power cord from the power socket. Prior to cleaning, proceed in the same manner.
- 18) Never leave the product switched on without supervision.
- 19) In order to avoid deformation or a fire in the plastic components of the vacuum cleaner, do not expose the vacuum cleaner to direct sunlight, do not place it close to heaters, open fires or other sources of heat and do not leave the vacuum cleaner operating for too long if the air inflow is blocked.
- 20) Do not use the product in an environment with excessive dust.
- 21) Use extra care if the product is used near children. Always keep the product out of the reach of children.
- 22) If the product is being used, do not block the air inflow and outflow vents. Blocked air vents can cause overheating and motor damage.
- 23) Vacuuming the below mentioned objects can damage your product or cause injuries to the operating person:
 - wet floor, water or other liquids
 - any type of sharp objects such as broken glass or ceramics, needles, pins, etc.
 - burning cigarettes, or smouldering pieces, matches or any other flammable or volatile liquids (e.g. gasoline, paint thinners, etc.)
 - flour, cement, plaster (i.e. dust from holes drilled in walls)
- 24) In order to avoid damaging furniture or injuries to persons, hold the cord in your hands as it winds up.
- 25) Do not vacuum larger pieces of paper or plastic bags. They may easily clog the pipe or hose. In case the vacuum becomes clogged for any reason, turn it off by removing it from the electric socket and clean the nozzle or hose.
- 26) In order to avoid damage to the hose, do not step on it or forcefully bend it. Do not use the vacuum if the hose is bent or in any way damaged.
- 27) Do not move over the power cord with the vacuum cleaner.

Bagless Stick Vacuum Cleaner

SVC 6301BK / SVC 6301VT

- 28) Never use the vacuum cleaner without the protective motor filter, the outflow filter, inserted dust container or the HEPA filter.
- 29) Do not place the vacuuming hose, inlet nozzle or vacuuming accessories near to your eyes or ears.
- 30) Vacuuming of some types of floors or floor surfaces can create a static electricity charge, which is not dangerous for the user.

The manufacturer is not responsible for damages caused by incorrect use of this product or its accessories. Such damages include food spoilage, injuries, burns, scalding, fire, etc.

Bagless Stick Vacuum Cleaner

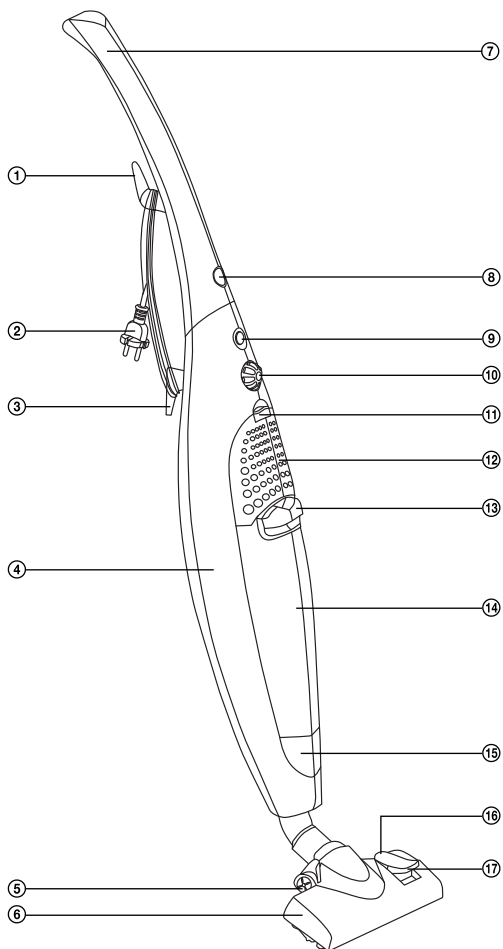
SVC 6301BK / SVC 6301VT

EN

DESCRIPTION

A

- ① Swivel power cord holder
- ② Power cord
- ③ Swivel power cord holder
- ④ Vacuum cleaner body
- ⑤ Floor nozzle travel wheel
- ⑥ Floor nozzle
- ⑦ Vacuum cleaner handle
- ⑧ Handle clip
- ⑨ ON/OFF button
- ⑩ Motor power output control
- ⑪ Clip of the the inflow filter grill
- ⑫ Grill of the outflow filter
- ⑬ Dust container lock clip
- ⑭ Dust container
- ⑮ Light
- ⑯ Flap position for vacuuming hard (smooth) floors
- ⑰ Flap position for vacuuming carpets



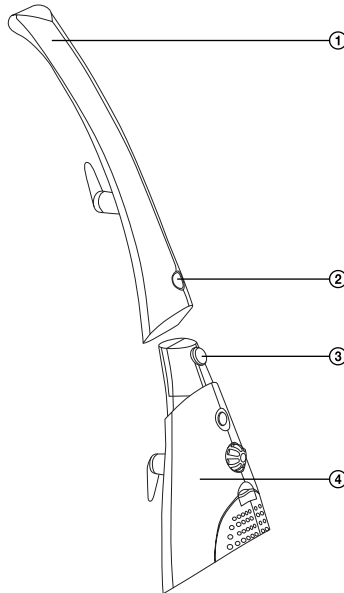
ASSEMBLY

Attach the handle to the body of the vacuum cleaner:

Attach the vacuum cleaner handle (pic. B1) to the body of the vacuum cleaner (pic B4) so that the handle clip audibly clicks-in to the clip hole on the handle (pic. B2).

B

- ① Vacuum cleaner handle
- ② Handle clip hole
- ③ Handle clip
- ④ Vacuum cleaner body



Bagless Stick Vacuum Cleaner

SVC 6301BK / SVC 6301VT

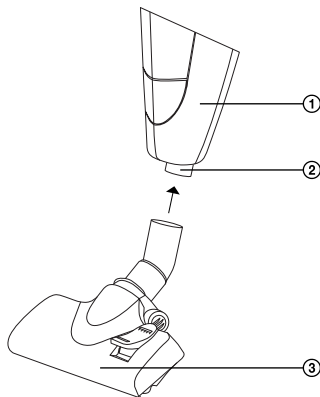
EN

Attach the floor inlet nozzle to the body of the vacuum cleaner:

Attach the floor nozzle (pic. C3) on to the suction tube (pic. C2) on the body of the vacuum cleaner.

C

- ① Vacuum cleaner body
- ② Suction tube
- ③ Floor nozzle



USING YOUR VACUUM CLEANER

Connecting your vacuum cleaner to the electrical power grid.

Insert the power cord into an electrical power socket.

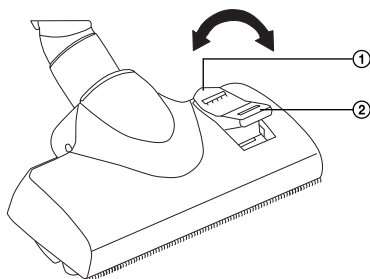
Adjusting the floor inlet nozzle according to the floor surface.

You may set the inlet nozzle according to the floor surface by adjusting the inlet flap:

- If you want to vacuum carpets retract the bristles by turning the flap accordingly (pic. D2).
- If you want to vacuum hard and smooth surfaces, extend the bristles out of the nozzle by turning the flap accordingly (pic. D1).

D

- ① Flap position for vacuuming hard (smooth) floors
- ② Flap position for vacuuming carpets



Bagless Stick Vacuum Cleaner

SVC 6301BK / SVC 6301VT

Turning your vacuum cleaner on and off

To switch on (off) the vacuum cleaner move the ON/OFF button (pic. E1) to position 1 (on) or 0 (off).

Adjusting the suction strength

You can regulate the suction using the control dial on the body of the vacuum cleaner (pic. E2).

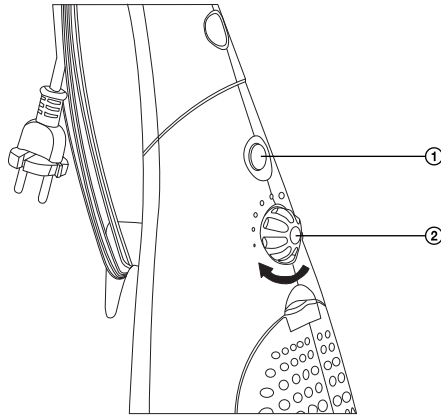


Tips

- Use the maximum suction strength when vacuuming carpets or floors with a hard surface. Use the reduced strength when vacuuming upholstery, window curtains, etc.

E

- ① ON/OFF button
- ② Control dial



Ending the vacuuming process

When you finish vacuuming, switch the vacuum cleaner off by switching the ON/OFF button to position 0 (off) and then disconnect the power cord plug from the power socket.

To wind up the power cord you can use the two swivel holders (pic. F1), which you turn away from yourself after the cord has been wound up.

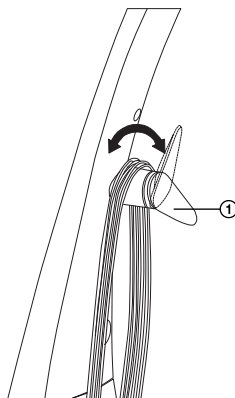
Bagless Stick Vacuum Cleaner

SVC 6301BK / SVC 6301VT

EN

F

- ① Swivel power cord holder



STORAGE OF VACUUM CLEANER

To store the vacuum cleaner you can either disassemble it into its individual parts or leave it assembled and lean it against a wall.

CLEANING AND MAINTENANCE



Caution:

Before cleaning disconnect this product from the power source.

Emptying the dust container and cleaning the H.E.P.A. filter

Empty the dust container as soon as it is filled to the maximum level (pic. G4); otherwise air flow and suction strength will be reduced.

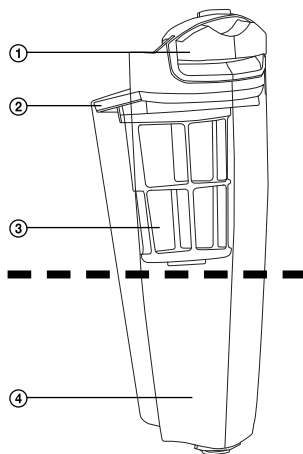
- 1) Press down on the dust container clip (pic. G1) while at the same time pulling to tilt the entire dust container out of the vacuum cleaner.
- 2) Place the dust container over a waste bin.
- 3) Take the H.E.P.A. filter out of the container together with its holder (pic. G2) and tip the dust and dirt into standard household waste. If the container is heavily soiled you may wash the entire container under running lukewarm water.
- 4) Take the microfilter off the H.E.P.A. filter by pulling it upwards (pic. H1). Tap out the dust and dirt on the microfilter into standard household waste. If it is heavily soiled you may wash the entire container under running lukewarm water.
- 5) Remove the H.E.P.A. filter from the holder (pic. H4) by turning it in the direction of the arrow (pic. H) and tap out the dust and dirt into standard household waste. If it is heavily soiled you may wash the entire container under running lukewarm water.

Bagless Stick Vacuum Cleaner

SVC 6301BK / SVC 6301VT

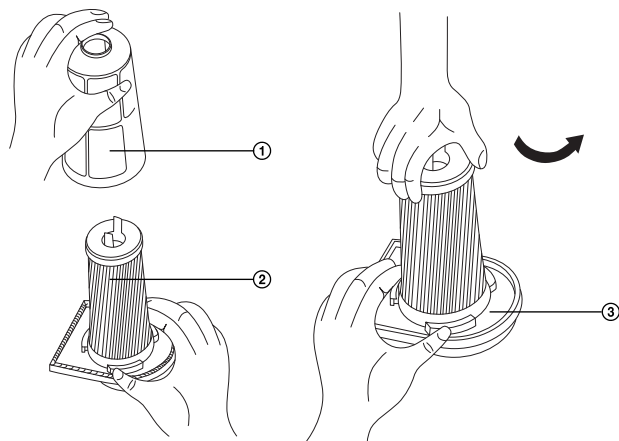
G

- ① Dust container clip
- ② H.E.P.A. filter holder
- ③ H.E.P.A. filter
- ④ Dust container



H

- ① Microfilter
- ② H.E.P.A. filter
- ③ H.E.P.A. filter holder



Bagless Stick Vacuum Cleaner

SVC 6301BK / SVC 6301VT

EN



Caution:

Make sure that all parts are completely dry before reinserting the dust container and the H.E.P.A. filter back into the vacuum cleaner.

Cleaning the outflow microfilter

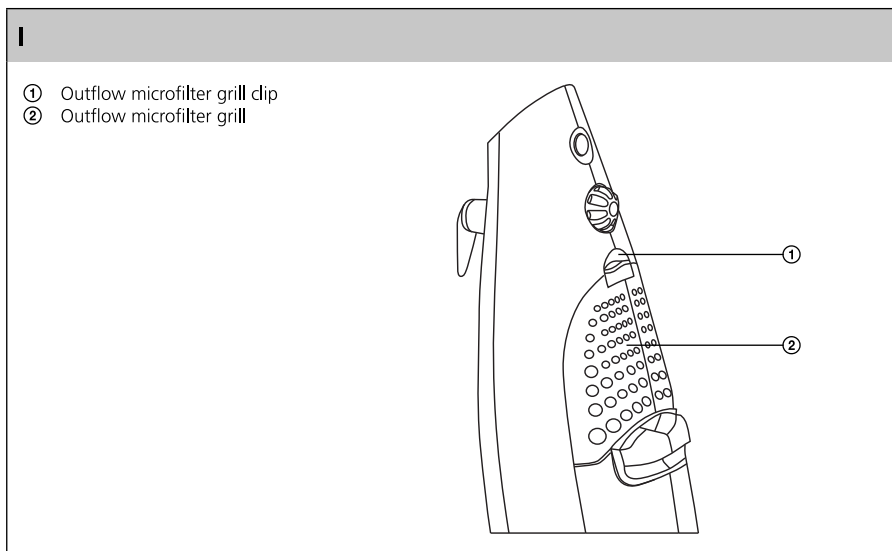
- 1) Press the grill clip (pic. I1) downwards, tilt it out and remove the microfilter.
- 2) Wash the microfilter under running lukewarm water and once it is completely dry place it back on the grill. In the case of heavy soiling replace the microfilter with a new one.



Tip

We recommend that you replace the microfilter when you replace the H.E.P.A. filter.

- 3) First place the grill together with the microfilter with the bottom projections on to the body of the vacuum cleaner and then fold back until you hear an audible click of the grill clip.



Cleaning your vacuum cleaner.

To clean the outside parts of the product use a fine cloth dipped in lukewarm water. Do not use aggressive cleaning agents, paint thinners or solvents. Using these solutions could damage the surface of the product.

Bagless Stick Vacuum Cleaner

SVC 6301BK / SVC 6301VT

TROUBLESHOOTING

Before you decide to contact an authorized service centre, please read these following tips in the troubleshooting chart:

Problem	Possible cause	Recommended action
The motor will not start	<ul style="list-style-type: none"> - The power cord is not firmly inserted in the socket - The wall power outlet is damaged - The vacuum cleaner is not switched on 	<ul style="list-style-type: none"> - Insert the plug firmly into the power outlet - Inspect the power outlet - Turn the product on
The suction output is insufficient	<ul style="list-style-type: none"> - The product is clogged - The dust filter needs cleaning - The dust container is inserted in the wrong position - The filter is clogged 	<ul style="list-style-type: none"> - Remove the blockage or foreign object - Clean the dust filter - Close the dust container - Clean the filter
The speed control is not working.	<ul style="list-style-type: none"> - The product is out of order 	<ul style="list-style-type: none"> - Have the product repaired by technician (only by a qualified technician)
The dust container cannot be closed	<ul style="list-style-type: none"> - The dust filter is inserted incorrectly or in an incorrect position 	<ul style="list-style-type: none"> - Reinstall and secure the filter in position and try again

TECHNICAL SPECIFICATIONS

Nominal voltage	220 – 240 V AC
Nominal frequency	50 Hz
Suction power	200 W
Nominal power input	800 W
Maximum power input	1000 W
Safety class (with regard to electric shock protection)	II
Noise level	< 71 dB(A)
Length of the power cord	5 m
Operating range	5.5 m
Dust container capacity	1.0l
Dimensions (width x depth x height)	251 x 150 x 1145 mm
Weight	3.25 kg

The declared noise emission level for this appliance is 71 dB(A), which represents level A of the acoustic power relative to the reference acoustic power of 1 pW.

Amendments to text and technical parameters are reserved.

Bagless Stick Vacuum Cleaner

SVC 6301BK / SVC 6301VT

EN

INSTRUCTIONS AND INFORMATION REGARDING THE DISPOSAL OF USED PACKAGING MATERIALS

Dispose of packaging material at a public waste disposal site.

DISPOSAL OF USED ELECTRICAL AND ELECTRONIC APPLIANCES



The meaning of the symbol on the product, its accessory or packaging indicates that this product shall not be treated as household waste. Please, dispose of this product at your applicable collection point for the recycling of electrical & electronic equipment waste. Alternatively in some states of the European Union or other European states you may return your products to your local retailer when buying an equivalent new product. The correct disposal of this product will help save valuable natural resources and help in preventing the potential negative impact on the environment and human health, which could be caused as a result of improper liquidation of waste. Please ask your local authorities or the nearest waste collection centre for further details. The improper disposal of this type of waste may fall subject to national regulations for fines.

For business entities in the European Union

If you wish to dispose of an electrical or electronic device, request the necessary information from your seller or supplier.

Disposal in other countries outside the European Union

If you wish to dispose of this product, request the necessary information about the correct disposal method from local government departments or from your seller.



This product meets all the basic EU regulation requirements that relate to it.

Changes to the text, design and technical specifications may occur without prior notice and we reserve the right to make these changes.

Bagless Stick Vacuum Cleaner

SVC 6301BK / SVC 6301VT