

CHEST FREEZER

USER'S MANUAL

PHILCO



Famous for Quality the World Over

PCF 2502-5

PCF 2032

PCF 1432-5

PCF 983

Dear customer,
Thank you for buying a PHILCO brand product. So that your appliance serves you well, please read all the instructions in this user's manual.

CONTENTS

PART 1: BEFORE PUTTING INTO OPERATION	2
• Safety notices	2
• Safety instructions for gas R600a	4
PART 2: DESCRIPTION OF THE PRODUCT	5
PART 3: INSTALLATION	6
• Transport and unpacking	6
• Installation location	7
• Cleaning before use	8
• Electrical connection	8
PART 4: SETTING THE TEMPERATURE	9
PART 5: ARRANGEMENT OF FOOD	10
• Storage of frozen food	10
• Chart on storing food in the refrigerator	11
PART 6: DEFROSTING AND REGULAR MAINTENANCE	12
PART 7: WHAT SHOULD I DO WHEN	14
PART 8: INFORMATION SHEET	16

PART 1: BEFORE PUTTING INTO OPERATION

Safety notice

Symbols:



General advice for the optimal operation of the appliance



General dangers



Hot surfaces

Before you put the appliance into operation

- Carefully study the user's manual and installation instructions before installing and using the appliance! This user's manual includes important information regarding the installation, operation and maintenance of the appliance. Store the user's manual also for future reference, or for other owners of the appliance if the appliance is sold.



If the appliance is transported in a horizontal position the oil from the compressor may leak into the cooling circuit. For this reason, allow the appliance to rest in a vertical position for 12 hours before turning it on, so that the oil flows back into the compressor.



After unpacking the appliance, carefully inspect that it has in not been damaged in any way. Also check that the power cord is not damaged. If you discover any defects, turn off the appliance and contact the vendor or in the case of a damaged power cord contact the service centre. If the appliance and all its parts are in order, install it according to the instructions in the relevant chapter.

- When installing the appliance in its place, or when moving the appliance, the power cord could be penetrated or damaged. Check that the power cord is not interfering anywhere.
- Before connecting the appliance to the electrical power source, check that the capacity of the system corresponds to the specifications on the appliance's rating label.
- Any kind of home electric wiring necessary for the connection of the appliance must only be carried out by a qualified electrician.



If you move the appliance from its usual position, it is necessary to understand, that although you have disconnected the power cord, the components on the rear side of the appliance may remain very hot for some time.



This appliance is not designed to be built-in. Do not cover or block the air inflow or outflow openings. Insufficient ventilation will cause poor operation and damage to the appliance.

Operating the appliance

- Use the appliance only for the purposes for which it has been designed.
- This appliance is designed only for household use, for storing or freezing food and for preparing ice.
- The temperature inside the freezer may rise or fall slightly, and so these appliances are not suitable for storing products (e.g. medicines), which require a stable temperature.



Do not use any other electric appliances (e.g. heating elements, electric ice cream machines, etc.) inside the appliance. There is a danger of explosion!



Do not place food inside the freezer containing flammable propulsion gases (e.g. sprays) and no explosive, contaminating or volatile substances. There is a danger of explosion!



Do not store liquids inside bottles and cans (especially beverages containing carbon dioxide) inside the freezer compartment. The bottles and cans could crack!

- Store liquor only with a firmly tightened cap and in a vertical position.
- Do not use the base, drawers, door of the appliance, etc. as a step or as a support. There is a danger of injury to persons or damage to the appliance.
- Ensure that the plastic parts of the appliance and the door gasket seals are not soiled with oil or grease. The plastic parts and the gasket seals would then become porous.
- Do not consume frozen food immediately after taking it out of the freezer compartment. There is a danger of frost bite!



Avoid prolonged hand contact with frozen food, ice or evaporating pipes. There is a danger of frost bite and freezing to these objects!



We do not recommend placing hot liquids or food inside the freezer and filling containers all the way to the rim.



Do not put fragile, heavy or unstable objects on the freezer.

Children in the household

- Never leave packaging and its parts with the children. There is a danger of poisoning or suffocation by the cardboard boxes and plastic sheets!
- This appliance is in no way a toy for children!
- For appliances with door locks: do not leave keys within the reach of children!
- If you will not be using the freezer any more, remove the door, seals and store it in a safe place. In this way you will prevent the danger of children becoming trapped inside the freezer.

Maintenance and cleaning



Before you begin with regular or exceptional maintenance, disconnect the appliance's power cord or disengage the fuse or circuit breaker. Never pull the electric power cord, only pull on the power plug.



Do not use mechanical or any other devices, except for devices recommended by the manufacturer for the purpose of accelerating the defrosting process.

- Do not defrost or clean the appliance using a steam cleaning device! The steam may come into contact with the electric components inside the appliance, where a short circuit could occur. There is a danger of electric shock!
- Do not remove the frozen ice layer and frozen on food using a knife or a sharp object. This could damage the cooling medium pipes. The escape of the cooling medium may cause eye injuries or may catch on fire.

General instructions

- This appliance must not be used by persons (including children) with physical, sensory or psychological impairments or by inexperienced persons, unless properly trained or schooled in the safe use of the appliance, or unless they have been properly supervised by a person who will be responsible for their safety. Children should be supervised so as not to play with the appliance.
- This appliance has been tested in accordance with the directives in force in the European Union.
- The tightness of the cooling circuit has been verified.
- This appliance conforms to the relevant safety provisions for electrical appliances in force in the European Union.

Technical safety



The appliance contains a cooling gas, ISOBUTHAN (R600a). Only transport or move the appliance with the utmost care, prevent excessive impacts and shaking to prevent damaging the appliance. If the cooling circuit becomes damaged and the cooling gas may be escaping, there is a risk of an explosion, which may be ignited by a spark or flame. If the appliance shows signs of damage, it must not be put into operation. In such a case contact the service centre, ventilate the room where the appliance is located and prevent the spreading of flames or other interference with the appliance.

Safety instructions for gas R600a

Measures in case of an unexpected release

If ventilation is possible, allow the material to evaporate.

Characteristics of the gas

The gas is highly flammable, it is necessary to completely prevent contact with an open flame and hot surfaces. Because the R600a gas is heavier than air, it may become very concentrated at the level of the ground, where ventilation is weak.

First aid

Inhalation

Take the affected person from the contaminated area to a warm, well ventilated location. Staying in a contaminated location for a long time may cause suffocation, or potentially loss of consciousness. If necessary, provide mouth-to-mouth resuscitation and in exceptionally serious situations, under expert medical supervision, give oxygen.

Contact with the skin

Random contact with the skin will not endanger health, it is better to thoroughly wash the affected area. The liquid spray or dispersed liquid may cause frost bite, wash the affected area with large amounts of water and contact a medical doctor.

Contact with the eyes

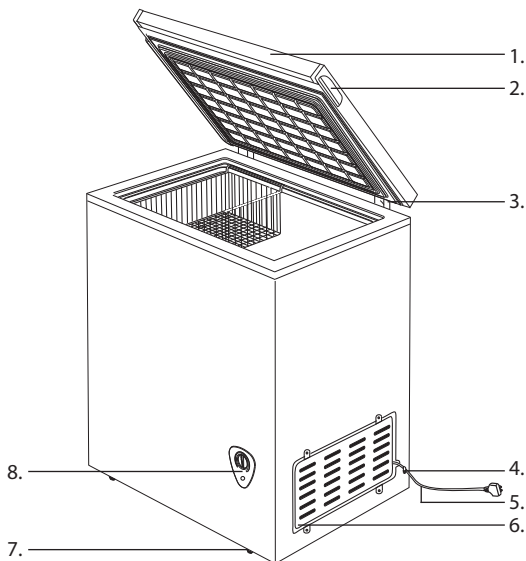
If eyes have been affected, wash out with large amounts of water, while trying to keep the eyes open, and call a specialised doctor as soon as possible.

If contact or inhalation of the R600a gas occurs, contact your medical doctor.

PART 2: DESCRIPTION OF THE APPLIANCE

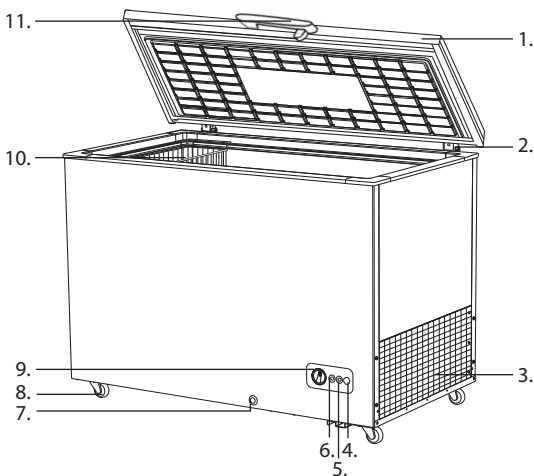
PCF 14324

1. Door
2. Cut-out for easy opening
3. Hinge
4. Power cord clamp
5. Power cord
6. Side cover
7. Foot
8. Temperature control dial



PCF 25024

1. Freezer door
2. Hinge
3. Side cover
4. Super freeze indicator light
5. Power indicator light
6. Alarm indicator light
7. Drain cover
8. Wheel
9. Temperature dial
10. Food basket
11. Handle



NOTE:

Due to the continuous innovation of products, the actual appliance may differ from this user's manual but the functions and methods of use remain the same.

PART 3: INSTALLATION

Transport and unpacking

If the appliance is transported in a horizontal position the oil from the compressor may leak into the cooling circuit. For this reason, allow the appliance to rest in a vertical position for 12 hours before turning it on, so that the oil flows back into the compressor.

Remove the external packaging, remove the protective plastic film from the surface of the appliance (if used) and clean the external parts of the appliance with an agent designed for this purpose. Do not use steel wool or any coarse agents, which could irreparably damage the surface of the appliance. Carefully remove all papers and adhesive tape from the appliance, door and other parts packed in polystyrene. Remove documents and accessories from inside the appliance.

The packaging material is recyclable and is marked with a recycling symbol. For disposal follow the local regulations. Packaging materials (plastic bags, polystyrene parts, etc.) must be kept out of the reach of children, because they present a possible source of danger.

Carefully inspect the appliance. If you discover any defects, stop the installation and contact the vendor.

Operating conditions

The proper operation of the appliance, the freezing temperatures are guaranteed only when the following conditions are met:

- The temperature in the room where the appliance is located conforms to the climate class stated on the appliance's rating label.
- Maximum ambient relative humidity: 90%.
- The appliance must be placed at a sufficient distance from heat sources (e.g. baking ovens, central heating, direct sunlight, etc.).
- The appliance must be located in such a location that it is protected against the effects of weather.
- Regular maintenance is performed according to the instructions in this user's manual.
- The ventilation openings in the cover of the appliance must not be covered by anything.
- Correct installation (e.g. levelling, the capacity of the system correspond to the specifications on the rating label of the appliance.)

Table – Climatic class

Climatic class	Ambient temperature
SN	+10°C to +32°C
N	+16°C to +32°C
ST	+16°C to +38°C
T	+16°C to +43°C

Installation location

The installation location of the appliance must meet the requirements in the paragraph "Operating conditions" and must have a stable floor with a load bearing capacity corresponding to the weight of the appliance. Furthermore, you must maintain distances and dimensions of the appliance, so that correct operation is ensured:

1. Rear part at least 10 cm;
2. The wall on the side where the door opens at least 7.5 cm.

Level the appliance using the adjustable feet, ensure there is a gap between the bottom edge of the appliance and the ground, so that there is sufficient circulation of cooling air, by which you will ensure the optimal performance of the cooling circuit.

Check whether any cooling circulation pipes have been damaged during the installation.

- Use the appliance only for the purposes for which it has been designed.
- The appliance must be located on a rigid and even surface.

In this way you will ensure free circulation of the coolant and effective operation of your appliance.

- If possible, place the appliance into a cool, well ventilated and dry room.
- Do not locate the appliance in direct sunlight, or in a room with a high temperature, in the vicinity of any sources of direct heat, such as heating, an oven, a stove, etc. – this would mean that the compressor would need to work a lot harder resulting a substantially higher power consumption level.

If it is not possible to prevent the installation in the vicinity of a heat source, we recommend the insertion of an appropriate insulating board (do not use asbestos) between the appliance and the heat source; or at least to maintain the following minimum distances:

- From a gas or electric stove 3 cm;
- From a heater or oven, etc. 30 cm;
- From another cooling appliance 2 cm.

Do not place any appliances on the appliance, which emit heat on to the appliance, such as microwave ovens, toasters, etc.

Never cover the ventilation grill. Pull out the power plug by pulling on the plug itself, never pull on the cord when disconnecting the appliance.

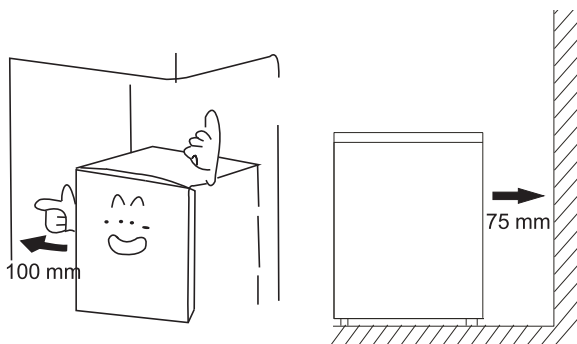


Before turning on the appliance allow it to stand in its final location for 12 hours, the coolant circuit will stabilise in this way and no operating problems will occur. Before connecting the appliance to the power grid check that it is perfectly dry inside – especially in the corners.



Danger warning

The coolant may be highly flammable, depending on its composition. The coolant circuit was hermetically closed and sealed and was tested many times for possible leaks. Any unqualified tampering with the product may cause a fire hazard. Check that there is no mechanical interruption or effect on the coolant circulation, namely in the accessible parts around the compressor. Only professionally qualified persons may work on the cooling system.



Cleaning before use

Check that you have removed from the appliance all adhesive tape used to hold accessories. Then clean all the inside parts using lukewarm water with a neutral cleaning agent, vinegar or sodium carbonate – in this way you will remove the characteristic odour of new parts – then dry carefully. Do not use detergents or aggressive agents, which could damage the surfaces.

Electrical connection

Before connecting the power plug to the power socket, check that:

- Your hands are completely dry.
- The voltage and frequency shown on the rating label of the appliance corresponds to that in the home power grid (permitted tolerance from -6% to +6% for nominal voltage, for use with different voltages, use a voltage converter with the corresponding parameters).
- The cord and the plug are not damaged or caught under heavy objects.
- The power cord is not excessively tensioned, it is not permitted to use an extension cord.



Do not connect the appliance to a voltage rectifier (e.g. solar power plant) or use an extension cord.



The appliance must be connected to a working grounding lead. If the power socket of the home system is not grounded in accordance with the current legal regulations, connect the appliance after consulting a specialised technician to the grounding lead itself. The manufacturer takes no responsibility for injuries caused as a result of not following these instructions.



If you do not correctly level the freezer during the installation, the door may not close shut and seal properly, which may cause problems with the cooling, ice build up or moisture. Levelling the freezer is very important.

Level the freezer using the adjustable feet – turn them clockwise to lift the freezer and turn them anticlockwise to lower the freezer.

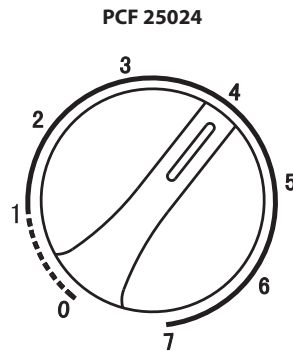
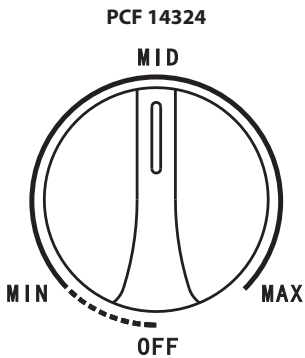
PART 4: SETTING THE TEMPERATURE

Setting the temperature

The temperature control dial is used to set the freezer temperature. It is located in the lower part of the freezer. We recommend the temperature control dial to be set to MID or 4 (depending on the model).

If the cooling performance of the freezer is insufficient, set the temperature control dial to MAX or 7 (depending on the model). If on the other hand, the cooling performance of the freezer is too high, set the temperature control dial to MIN or 1 (depending on the model).

If you need to turn the freezer off, turn the temperature control dial to OFF or 0 (depending on the model).



PART 5: ARRANGEMENT OF FOOD

- Appropriate wrapping materials for food are plastic containers, aluminium foil, polyethylene freezing bags, etc.
- Always allow hot dishes to cool down before placing them into the freezer.
- Open the door only for a short time so that the inside area of the freezer is not heated. This saves energy.
- Never store explosive materials or products with flammable compressed gasses (e.g. whipped cream sprayers with pressurised capsules/cartridges, spray cans) – **DANGER OF EXPLOSION!**

Storage of frozen food

If you have turned on the freezer for the first time or you have just defrosted it, wait at least for 2 hours before putting food into the the freezer.

All frozen food must be put into the freezer as soon as possible after being bought, so that they do not defrost and cause potential contamination.

Store frozen products according to the manufacturer's instructions on the packaging.

Pay increased attention to handling the drawer, so that you do not damage the cooling circuit.

Placing fresh food into a freezer

Ensure that the freezer is clean as the freezing process itself does not sterilise food. We recommend freezing food in the original packaging, or in various containers suitable for freezing or in special freezer bags. Never place hot or warm dishes into the freezer. Allow dishes to fully cool down before placing them into the freezer, wrap them in a plastic bag, aluminium foil or put them in a jar. Check the label on the freezer, to check how many kilos of fresh food (at a room temperature of 25°C) the freezer is able to freeze in 24 hours. Never insert more food than the permitted amount.

Never place bottles with fizzy drinks into the freezer nor any other bottles.

For better freezing results give the food sufficient room for air circulation.

We recommend a setting between the medium and maximum value for standard use and for long term food storage in the freezer.



ATTENTION!

- Do not store cans and bottles with beverages containing carbon dioxide in the freezer. The contents expand during the freezing process, which may rip the bottle or can apart. Risk of injury and damage!
- Consume ice cream only several minutes after removing it from the freezer – you will avoid injury to your lips and tongue. Do not touch the inside of the freezer if you have wet hands.

Important information

- Place only properly wrapped food into the freezer.
- When storing deep frozen food intended for immediate consumption, note the expiry date marked by the manufacturer.
- Remember that only quality fresh food is suitable for freezing.
- Freeze fresh food in appropriately sized portions.
- Ensure that you use an appropriate wrapping material (plastic wrap, aluminium foil, freezing bays).
- Push all air out of the packages.
- To close the packages use rubber bands, plastic clips, tie wire or adhesive tape resistant to cold.
- Plastic bags and tubes can also be closed using a food sealing appliance.
- On the closed package write down the contents, weight and date of freezing.
- Before placing plastic bags into the freezer check that they are dry so as to prevent them from freezing to each other.
- To prevent partial defrosting, place the food that is to be frozen in such a way that it is not touching the already frozen food.
- Do not refreeze fully or partially defrosted food apart from the case where they were heat processed (cooked or fried/baked).
- Do not consume food that has been stored for a period longer than its expiry date. You may cause yourself food poisoning.

Chart on storing food in the freezer

Food	Storage method	Zone	Durability
Storing frozen food, ice cubes and ice creams	Original packaging, well sealed	Top part of the freezer	Depends on expiry date
Frozen food: meat and fish	Original packaging, well sealed. Food containers suitable for low temperatures, hermetically sealed.	Best in the bottom part of the freezer	Beef: 12 months Pork: 12 months Minced pork: 6 months Rabbit: 6 months Veal: 9 months Mutton: 9 months Poultry: 6 months Fish: 6 months
Frozen food: pasta dishes, fruit, vegetables, confectionery	Food containers suitable for low temperatures, hermetically sealed.	Top part of the freezer	6-12 months

PART 6: DEFROSTING AND REGULAR MAINTENANCE

For hygiene reasons, it is necessary to regularly clean the appliance (including the outside and inside accessories) at least once every two months.



ATTENTION!

The appliance must not be connected to the power socket during cleaning. Danger of injury by electric shock! Before cleaning the appliance, disconnect the power plug from the power socket.

Cleaning the outer surface

In order for the appliance to serve you long and well, it is necessary to clean it regularly.

- Wipe the control panel and display using a soft wiping cloth.
- Apply water on to the wiping cloth instead of on the appliance. This will ensure that the water is spread evenly over the surface of the appliance.
- Wipe the door, handles, sides with a wiping cloth dipped in lukewarm water with a little kitchen detergent and then wipe dry.



ATTENTION!

- Do not use sharp objects, coarse cleaning agents which could scratch the surface of the appliance.
- Do not use thinners, car cleaners, chlorine, petrol, coarse cleaning agents, benzene or any other similar agents for cleaning. They can damage the surface of the appliance and cause a fire.

The use of steam cleaning appliances is extremely dangerous and so is strictly forbidden.

Cleaning the inside area

It is necessary to regularly clean the inside area. It will be easier to clean the inside area if there is not too much food inside the appliance. Wipe the inside area using a soft wiping cloth dipped in a weak solution of water and baking soda or vinegar, wipe using a wiping cloth dipped in clean warm water. Then wipe dry using a clean wiping cloth before reinserting the shelves and drawers. Thoroughly dry out the inside area and accessories.

Defrosting

Despite the appliance being equipped with the automatic defrosting function, a layer of ice may appear from time to time on the inner walls of the freezer, especially if the freezer door is being opened too frequently or left open for longer periods of time. If the ice layer is too thick, remove the food from the freezer and proceed as follows:

1. Take out the food and accessories, turn off the appliance and disconnect the power cord from the power socket. Ensure ventilation in the room to speed up the defrosting process.
2. As soon as the freezer is defrosted, clean it in the same way as described above.



ATTENTION!

- Do not use sharp objects for the removal of frozen food or ice, the wall of the freezer could be scratched.
- When defrosting a freezer never use electric appliances such as hair fans, hot air fans, steam cleaners, de-icing sprays or open flames (e.g. candles). The plastic interior could melt and the resulting foam gas could be ignited from a spark or an open flame. Never use a steam cleaner to melt a layer of ice in the appliance (high risk of injury by electrical shock).
- Remove the frozen food and wrap into several newspaper layers.
- Place the frozen food in a cold place until it is possible to use the freezer again.

- Do not scratch the ice deposit layer because you could damage the evaporation surface.
- Perform the defrosting process as fast as possible to prevent the removed food from defrosting.
- You can speed up the defrosting process by placing a bowl with hot water (not boiling) into the freezer. In this case close the freezer door.
- The appliance may be connected to the power grid and turned on only after the inside area is completely dry.

Cleaning gasket seals

Keep the door gasket seals clean.

Sticky foods and beverages may cause the gasket seal to stick to the inner edge and result in damage when the door is opened. Wash the gasket seal with a soft wiping cloth dipped in warm water with a small amount of kitchen detergent. Rinse and thoroughly wipe dry.



ATTENTION!

Only turn on the appliance once the gasket seal is thoroughly dry.

Taking out of operation for an extended period

If you are not going to use the appliance for an extended period of time, do the following:

Disconnect the freezer from the power source by pulling it out of the power socket. Clean out the inside and dry it out as described in the part Cleaning the freezer. Leave the door open to prevent an unpleasant odour from forming inside.



Please be aware:

Compressor

The compressor is controlled by the thermostat, which is set by the temperature dial, and turns itself on automatically when temperatures inside the appliance is exceeded and then turns itself off as soon as it again reaches this temperature.

When any compressor – cooling system is turned on – noise can be heard. These sounds are made when the motor in the compressor is working and they are also made by the coolant circulating in the circuit of the cooling system. These noises are normal and do not indicate any malfunction in the operation of the appliance. In unheated rooms or in cold weather conditions condensate may form on the exterior walls of the appliance. This does not indicate a malfunction and this condensate will disappear as soon as the temperature rises.

Contact the service department only when, after analysing all possible factors of the malfunction you cannot find any cause for the malfunction or you are unable to remedy the malfunction yourself. So, first focus on: " **What should I do when....**"

PART 7: WHAT SHOULD I DO WHEN...

If you notice problems with your appliance or if you find that the appliance is not working properly, you can remedy some of the most common faults yourself prior to contacting an authorised service centre. Check the appliance and proceed according to the instructions below before contacting an authorised service centre.



WARNING!


Do not attempt to repair the appliance on your own. If the problem persists after performing the inspection, please contact an authorised service centre, a qualified technician or the vendor from whom you purchased the appliance.

Problem	Solution
Power outage	Open the freezer door as little as possible to prevent cold air from leaking out.
	Do not add additional food for freezing. This could increase the temperature.
	In the event of an extended power outage, put dry ice into the freezer.
Problems with the power cord.	If the power cord is damaged in any way, stop using the appliance, contact an authorised service centre to have the power cord replaced. The replacement can only be performed by a qualified person.
	The power plug is used as a disconnection device and therefore must remain accessible at all times.
Taking out of operation for an extended period	Take all food out of the freezer and disconnect the power cord from the power socket.
	Clean out the inside area and wipe away excess water.
	To prevent the creation of an unpleasant odour, leave the door of the freezer open.
Transport	Disconnect the power plug from the power socket.
	Prior to transport, make sure that the feet of the freezer are not damaged.
	Do not allow the feet of the appliance to hit against stairs, doorsills, etc.
Storage	Place a piece of wood or a similar object between the door and the unit to prevent the freezer from closing.
	Ensure that the freezer is placed out of reach of children to ensure that they do not play with the appliance.
	If the child becomes stuck in the freezer or the door closes, the child may not be able to open it.
The freezer is not freezing.	Is the power supply interrupted?
	Is the power cord disconnected from the power socket?
	Have the fuses burned or is the circuit activated?
	Is the temperature control dial set to OFF or 0?

Problem	Solution
Insufficient freezing	Is sufficient ventilation provided?
	Is the freezer exposed to direct sunlight or located near a source of heat (e.g. stove)?
	Is the door open? Did you open the door too frequently?
	Are pieces of food stuck between the door and the unit?
	Set the temperature control dial to MAX or 7, otherwise then to MIN or 1.
	Ice build-up is too thick, it is necessary to defrost the freezer.
Excessive noise	Is the floor under the freezer hard enough?
	Is the freezer moving or rattling?
	Is the rear part of the freezer touching a wall?
	Is there an item behind the freezer? The compressor will be louder when the freezer is first turned on, when the ambient temperature is high and when it is set to the maximum setting. The noise level will then decline.
Condensed water on the outer casing	Condensed water may appear on the outer casing and door during hot and humid days or if the freezer has been installed in an excessively hot and humid location. Water then condenses on the cooler parts of the freezer. This is normal. Wipe the water away with a dry wiping cloth.
The freezer is hot to touch.	The freezer may be hot to touch especially during the summer or when first started. The freezer is equipped with a tube that provides protection against excessive condensation, that is why it heats up. This temperature does not affect the temperature inside the freezer

PART 8: INFORMATION SHEET

INFORMATION SHEET: Philco

Philco brand: PHILCO 				
Brand	Philco			
Product number	PCF 2502-5	PCF 2032	PCF 1432-5	PCF 983
Type of appliance 3)	9	9	9	9
Energy efficiency class (A... low electricity consumption to G high electricity consumption)	A++	A++	A++	A++
Electricity consumption per 365 days 1) kWh	194	175	151	133
Total available volume: l	250	203	143	98
of which: refrigerator part I				
of which: freezer part I	250	203	143	98
Star mark for the freezer area	****	****	****	****
Freezing capacity kg/24h	18	15	14	9,5
Climatic class 2)	SN-T	SN-T	SN-T	SN-T
Voltage	220-240v/50Hz	220-240v/50Hz	220-240v/50Hz	220-240v/50Hz
Noise level 4) dB (re 1pW)	42	42	42	42
Dimensions cm (h x w x d) cm	835x1115x607	832x952x607	832x737x607	837x563x519
Weight kg	49	38	34	23

- 1) Electricity consumption in kWh / year is based on the results of a normalised test carried out over a period of 24 hours. Actual electricity consumption depends on the use and location of the appliance.
- 2) SN: ambient temperatures from +10 °C to +32 °C
ST: ambient temperatures from +18 °C to +38 °C
N: ambient temperatures from +16 °C to +32 °C
- 3) 1 = Refrigerator without low temperature areas
7 = Refrigerator/freezer with low temperature areas *(***)
8 = Box freezer
9 = Chest freezer
- 4) Noise level according to European norm EN 60704

NOTE:

All the here provided data is subject to change.

INSTRUCTIONS AND INFORMATION REGARDING THE DISPOSAL OF USED PACKAGING MATERIALS

Dispose of packaging material at a public waste disposal site.

DISPOSAL OF USED ELECTRICAL AND ELECTRONIC APPLIANCES



The meaning of the symbol on the product, its accessory or packaging indicates that this product shall not be treated as household waste. Please, dispose of this product at your applicable collection point for the recycling of electrical & electronic equipment waste. Alternatively in some states of the European Union or other European states you may return your products to your local retailer when buying an equivalent new product. The correct disposal of this product will help save valuable natural resources and help in preventing the potential negative impact on the environment and human health, which could be caused as a result of improper liquidation of waste. Please ask your local authorities or the nearest waste collection centre for further details. The improper disposal of this type of waste may fall subject to national regulations for fines.

For business entities in the European Union

If you wish to dispose of an electrical or electronic device, request the necessary information from your seller or supplier.

Disposal in other countries outside the European Union

If you wish to dispose of this product, request the necessary information about the correct disposal method from local government departments or from your seller.



This product meets all the basic EU regulation requirements that relate to it.

Changes to the text, design and technical specifications may occur without prior notice and we reserve the right to make these changes.

