

RANGE HOOD

USER'S MANUAL

PHILCO



Famous for Quality the World Over

ANKARA 60 L

**Dear customer,
Thank you for buying a PHILCO brand product. So that your appliance serves you well, please read all the instructions in this user's manual.**

Contents

PART 1: IMPORTANT SAFETY INSTRUCTIONS	4
Caution	4
PART 2: DESCRIPTION OF THE APPLIANCE	6
PART 3: INSTALLATION	7
Use	7
Electrical connection	8
Mounting.....	8
PART 4: OPERATION	10
PART 5: MAINTENANCE AND CLEANING	11
Cleaning	11
Grease filter	11
Charcoal filter (filter version only).....	12
Replacing lamps.....	12
PART 6: BEFORE YOU CALL THE SERVICE CENTRE	13
PART 7: TECHNICAL SPECIFICATIONS	14

PART 1: IMPORTANT SAFETY INSTRUCTIONS

Closely follow the instructions set out in this manual. All responsibility, for any eventual inconveniences, damages or fires caused by not complying with the instructions in this manual, is declined. The hood is conceived for the suction of cooking fumes and steam and is destined only for domestic use.

! It is important to conserve this booklet for consultation at any moment. In the case of sale, cession or move, make sure it is together with the product.

! Read the instructions carefully: there is important information about installation, use and safety.

! Do not carry out electrical or mechanical variations on the product or on the discharge conduits.

! Before proceeding with the installation of the appliance verify that there are no damaged all components.

Otherwise contact your dealer and do not proceed with the installation.

Note: the elements marked with the symbol “(*)” are optional accessories supplied only with some models or elements to purchase, not supplied.



Caution

Before any cleaning or maintenance operation, disconnect hood from the mains by removing the plug or disconnecting the mains electrical supply.

Always wear work gloves for all installation and maintenance operations.

This appliance can be used by children aged from 8 years and above and persons with reduced physical, sensory or mental capabilities or lack of experience and knowledge if they have been given supervision or instruction concerning use of the appliance in a safe way and understand the hazards involved.

Children shall not be allowed to tamper with the controls or play with the appliance.

Cleaning and user maintenance shall not be made by children without supervision.

The premises where the appliance is installed must be sufficiently ventilated, when the kitchen hood is used together with other gas combustion devices or other fuels.

The hood must be regularly cleaned on both the inside and outside (AT LEAST ONCE A MONTH).

This must be completed in accordance with the maintenance instructions provided in this manual. Failure to follow the instructions provided in this user guide regarding the cleaning of the hood and filters will lead to the risk of fires.

The flaming of foods beneath the hood itself is severely prohibited.

The use of exposed flames is detrimental to the filters and may cause a fire risk, and must therefore be avoided in all circumstances.

Any frying must be done with care in order to make sure that the oil does not overheat and ignite.

CAUTION: Accessible parts of the hood may become hot when used with cooking appliances.

For lamp replacement use only lamp type indicated in the Maintenance/Replacing lamps section of this manual.

WARNING! Do not connect the appliance to the mains until the installation is fully complete.

With regards to the technical and safety measures to be adopted for fume discharging it is important to closely follow the regulations provided by the local authorities.

The ducting system for this appliance must not be connected to any existing ventilation system which is being used for any other purpose such as discharging exhaust fumes from appliances burning gas or other fuels.

Do not use or leave the hood without the lamp correctly mounted due to the possible risk of electric shocks.

Never use the hood without effectively mounted grids.

The hood must NEVER be used as a support surface unless specifically indicated.

Use only the fixing screws supplied with the product for installation or, if not supplied, purchase the correct screws type.


Use the correct length for the screws which are identified in the Installation Guide.

In case of doubt, consult an authorised service assistance centre or similar qualified person.

WARNING! Failure to install the screws or fixing device in accordance with these instructions may result in electrical hazards.

This appliance is marked according to the European directive 2012/19/EC on Waste Electrical and Electronic Equipment (WEEE). By ensuring this product is disposed of correctly, you will help prevent potential negative consequences for the environment and human health, which could otherwise be caused by inappropriate waste handling of this product.



The symbol  on the product, or on the documents accompanying the product, indicates that this appliance may not be treated as household waste. Instead it should be taken to the appropriate collection point for the recycling of electrical and electronic equipment. Disposal must be carried out in accordance with local environmental regulations for waste disposal.

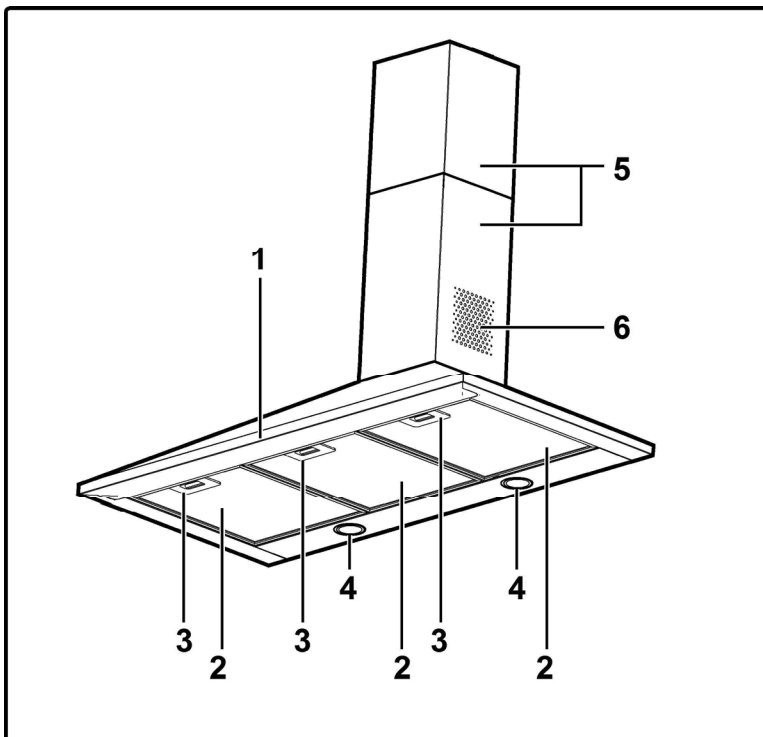
For further detailed information regarding the process, collection and recycling of this product, please contact the appropriate department of your local authorities or the local department for household waste or the shop where you purchased this product.

Appliance designed, tested and manufactured according to:

- Safety: EN/IEC 60335-1; EN/IEC 60335-2-31, EN/IEC 62233.
- Performance: EN/IEC 61591; ISO 5167-1; ISO 5167-3; ISO 5168; EN/IEC 60704-1; EN/IEC 60704-2-13; EN/IEC 60704-3; ISO 3741; EN 50564; IEC 62301.
- EMC: EN 55014-1; CISPR 14-1; EN 55014-2; CISPR 14-2; EN/IEC 61000-3-2; EN/IEC 61000-3-3.

Suggestions for a correct use in order to reduce the environmental impact: Switch ON the hood at minimum speed when you start cooking and kept it running for few minutes after cooking is finished. Increase the speed only in case of large amount of smoke and vapour and use boost speed(s) only in extreme situations. Replace the charcoal filter(s) when necessary to maintain a good odour reduction efficiency. Clean the grease filter(s) when necessary to maintain a good grease filter efficiency. Use the maximum diameter of the ducting system indicated in this manual to optimize efficiency and minimize noise.

PART 2: DESCRIPTION OF THE APPLIANCE



1. Control panel
2. Grease filter
3. Grease filter release handle
4. Lighting
5. Telescopic chimney
6. Air outlet (used for filter version only)

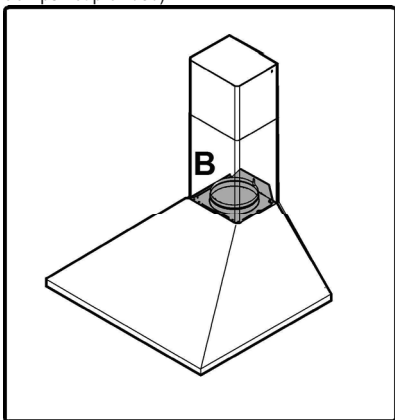
PART 3: INSTALLATION

Use

The hood is designed to be used either for exhausting or filter version.

Ducting version

The hood is equipped with a top air outlet **B** for discharge of fumes to the outside (exhaust pipe and pipe fixing clamps not provided).



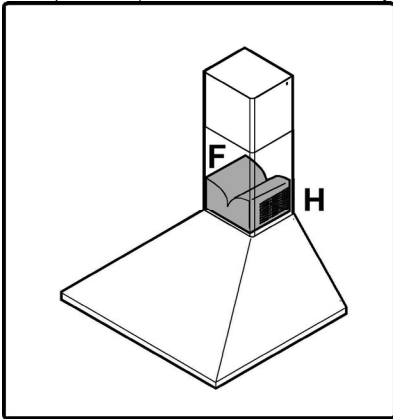
Connect the hood and discharge holes on the walls with a diameter equivalent to the air outlet (connection flange). Using the tubes and discharge holes on walls with smaller dimensions will cause a diminution of the suction performance and a drastic increase in noise.

Any responsibility in the matter is therefore declined.

Attention! If the hood is supplied with carbon filter, then it must be removed.

Filter version

In the case of not being able to discharge the fumes and the steam of cooking outside, the hood in the **filter version** can be used mounting the **F** deflector on the flue and one or more carbon filters (on the basis of the model possessed). The fumes and steam are recycled into the kitchen through upper grill **H**.



Attention! If the hood is not supplied with carbon filter, then it must be ordered and mounted.



Electrical connection

The mains power supply must correspond to the rating indicated on the plate situated inside the hood. If provided with a plug connect the hood to a socket in compliance with current regulations and positioned in an accessible area, after installation. If it not fitted with a plug (direct mains connection) or if the plug is not located in an accessible area, after installation, apply a double pole switch in accordance with standards which assures the complete disconnection of the mains under conditions relating to over-current category III, in accordance with installation instructions.

Warning! Before re-connecting the hood circuit to the mains supply and checking the efficient function, always check that the mains cable is correctly assembled.

Warning! Power cable replacement must be undertaken by the authorised service assistance centre or similar qualified person.

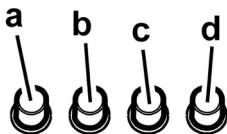
Mounting

Expansion wall plugs are provided to secure the hood to most types of walls/ceilings. However, a qualified technician must verify suitability of the materials in accordance with the type of wall/ceiling. The wall/ceiling must be strong enough to take the weight of the hood. **Do not tile, grout or silicone this appliance to the wall. Surface mounting only.**

The minimum distance between the supporting surface for the cooking equipment on the hob and the lowest part of the range hood must be not less than 50cm from electric cookers and 70cm from gas or mixed cookers. If the instructions for installation for the gas hob specify a greater distance, this must be adhered to.

PART 4: OPERATION

The hood is fitted with a control panel with aspiration speed selection control and a light switch to control cooking area lights.



- a. ON/OFF light switch
- b. Speed 1/OFF switch
- c. 2-speed selection
- d. 3-speed selection

PART 5: MAINTENANCE AND CLEANING

Cleaning

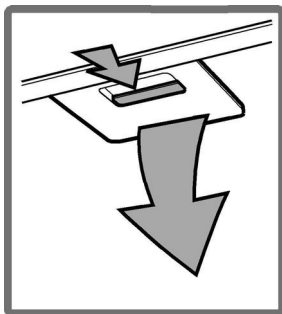
Clean using **ONLY** the cloth dampened with neutral liquid detergent. **DO NOT CLEAN WITH TOOLS OR INSTRUMENTS.** Do not use abrasive products. **DO NOT USE ALCOHOL!**

Grease filter

Traps cooking grease particles.

The **grease filter** must be cleaned once a month using non aggressive detergents, either by hand or in the dishwasher, which must be set to a low temperature and a short cycle. When washed in a dishwasher, the grease filter may discolour slightly, but this does not affect its filtering capacity.

To remove the grease filter, pull the spring release handle.



Charcoal filter (filter version only)

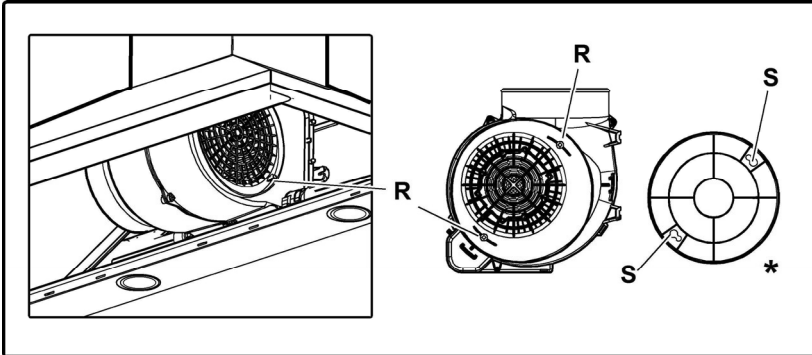
It absorbs unpleasant odours caused by cooking.

The saturation of the charcoal filter occurs after more or less prolonged use, depending on the type of cooking and the regularity of cleaning of the grease filter. In any case it is necessary to replace the cartridge at least every four months. The charcoal filter may NOT be washed or regenerated.

Remove the grease filters. Fit the charcoal filters over the motor.

Align the pins **R** on the cowl with the slots **S**, then turn the filter clockwise until it locks in place.

Reverse the above procedure to remove the charcoal filters. Refit the grease filters.



Replacing lamps

Your model Ankara 60 L has LED lighting. To change LED light, contact your local service organization.

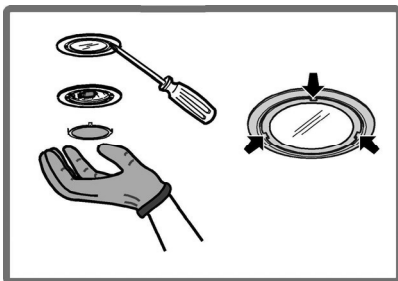
Service instructions:

Disconnect the appliance from the electricity.

Warning! Prior to touching the light bulbs ensure they are cooled down.

Replace the old light bulb with the one of the same type as specified in the feature label or near the light lamp on the hood.

1. Using a flat head screwdriver or equivalent tool, carefully pry loose the light cover.
2. Remove the damaged light and replace with a new light made for a 4 base SUITABLE FOR USE IN OPEN LUMINAIRES. Follow package directions and do not touch new light with bare hands.
3. Reinstall the light cover. (it will snap shut).



If the lights do not work, make sure that the lamps are fitted properly into their housings before you call for technical assistance.

PART 6: BEFORE YOU CALL THE SERVICE CENTRE

If the appliance is not working as it should check the following recommendations for resolving the most common problems.

If the problem persists or it is not included in the table below, turn off the appliance and disconnect it from the power socket and contact an authorised service centre.

Problem	Solution
The range hood is not working.	Check that the power plug is properly inserted in a properly grounded power socket with the parameters 220 – 240 V ~ 50 Hz.
	Check that the motor power switch is in the "On" position.
The lights are not working.	Check that the power plug is properly inserted in a properly grounded power socket with the parameters 220 – 240 V ~ 50 Hz.
	Check that the motor power switch is in the "On" position.
	Check whether the light bulb or fluorescent tube is broken.
Exhaust power is weak.	Check whether the aluminium filters are dirty.
	Check the air outlet, it should be open.
	Check whether the carbon filter is not too dirty.
The range hood does not extract the air directly out (for models without an exhaust).	Check whether the aluminium filters are dirty.
	Check whether the carbon filter is not too dirty.

ATTENTION:

Use the range hood together with the stove. This will ensure the correct air exhaust. We recommend to leave the range hood running a few minutes longer than the stove to ensure that all odours are extracted.

PART 7: TECHNICAL SPECIFICATIONS

Low speed	Air flow (m ³ /h)	208
	Noise level (dba)	44
Medium speed	Air flow (m ³ /h)	304
	Noise level (dba)	53
High speed	Air flow (m ³ /h)	559
	Noise level (dba)	67

Pressure (Pa): **255**

Power (W): **179,5**

Input Voltage: **220-240V ~ 50/60 Hz**

Air outlet diameter: **15-12 cm**

Manufacturer/Výrobce/Výrobca:
FAST CR, a.s.
Praha 10, Černokostecká 2111
CZ-10000; CZECH REPUBLIC

PHILCO[®] 

**is a registered trademark used under license from
Electrolux International Company, U.S.A.**