

MICROWAVE OVEN

OWNER'S MANUAL

PHILCO



Famous for Quality the World Over

PMD 1730 S

**Dear customer,
Thank you for buying a PHILCO brand product. So that your appliance serves you well, please read all the instructions in this user's manual.**

CONTENTS

PART 1: SAFETY INFORMATION	2
Radio wave interference.....	7
Grounding instructions.....	7
PART 2: INSTALLATION	8
PART 3: UTENSILS GUIDE	8
PART 4: PART NAMES.....	9
PART 5: CONTROL PANEL	10
Power/Action Selector.....	10
Timer Knob.....	10
Microwave Cooking.....	10
PART 6: OPERATION.....	10
PART 7: MaintERANCE and cleaning	11
PART 8: SPECIFICATIONS.....	12



This appliance has been tested in accordance with the directives in force in the European Union.
This appliance conforms to the relevant safety provisions for electrical appliances in force in the European Union.

PART 1: SAFETY INFORMATION

RECOMMENDATION:

CAREFULLY READ THESE INSTRUCTIONS BEFORE INSTALLING AND OPERATING THIS MICROWAVE OVEN. IT IS ESSENTIAL THAT YOU STORE THIS USER'S MANUAL IN A SAFE PLACE SO THAT YOU CAN USE IT IN THE FUTURE. IF YOU INTEND TO SELL THE APPLIANCE, GIVE IT TO ANOTHER OWNER, OR IF YOU MOVE, ALWAYS MAKE SURE THAT THE USER'S MANUAL IS ATTACHED TO THE APPLIANCE, SO THAT THE NEW OWNER CAN FIND OUT ABOUT THE OPERATION OF THE APPLIANCE AND THE RELEVANT WARNINGS.

1. UNDER NO CIRCUMSTANCES SHOULD YOU START THE MICROWAVE OVEN WITH THE DOOR OPEN AS YOU COULD EXPOSE YOURSELF TO THE EFFECTS OF DANGEROUS MICROWAVE ENERGY RADIATION. IT IS IMPORTANT THAT YOU DO NOT DAMAGE OR MODIFY THE SAFETY LOCKS ON THE MICROWAVE OVEN DOOR.
2. DO NOT BLOCK THE FRONT PART OF THE MICROWAVE OVEN AND THE DOOR WITH ANY OBJECT AND MAKE SURE THAT DIRT OR REMAINS OF DETERGENT DO NOT ACCUMULATE ON THE OVEN SEALS.
3. DO NOT USE THE MICROWAVE OVEN IF IT IS DAMAGED. IT IS ESPECIALLY IMPORTANT THAT THE DOOR IS PROPERLY SHUT AND ALSO INSPECT THE FOLLOWING FOR DAMAGE:
 - A. DOOR (THAT IT IS NOT BENT);
 - B. DOOR HINGES AND LOCKS (DAMAGED OR LOOSE);
 - C. DOOR SEALS AND OTHER SEALS.

THE MICROWAVE OVEN MAY ONLY BE ADJUSTED OR REPAIRED BY AN AUTHORISED SERVICE TECHNICIAN.

ADHERE TO ALL BASIC SAFETY MEASURES WHEN USING ELECTRICAL APPLIANCES, INCLUDING THE FOLLOWING.



WARNING!

ADHERE TO THE DIRECTIVES BELOW TO AVOID THE DANGERS OF BURNS, INJURY BY ELECTRICAL SHOCK, FIRE HAZARDS, INJURIES OR EXPLOSION CAUSED BY LARGE AMOUNTS OF MICROWAVE ENERGY.

- THIS APPLIANCE MAY NOT BE USED BY ANY PERSONS (INCLUDING CHILDREN) WITH MENTAL DISABILITIES, WEAK STRENGTH OR BY INEXPERIENCED PERSONS, UNLESS THEY HAVE BEEN PROPERLY TRAINED OR SCHOOLED IN THE SAFE USE OF THE PRODUCT, OR UNLESS THEY ARE PROPERLY SUPERVISED BY A QUALIFIED PERSON WHO IS RESPONSIBLE FOR THEIR SAFETY. CHILDREN MUST BE SUPERVISED TO ENSURE THAT THEY DO NOT PLAY WITH THE PRODUCT.



WARNING!

TO LIMIT THE RISK OF A FIRE HAZARD, ELECTRIC SHOCK, INJURY OR EXPOSURE TO EXCESSIVE AMOUNTS OF MICROWAVE ENERGY:

- BEFORE USING THIS APPLIANCE READ ALL THE INSTRUCTIONS.

- ONLY USE THE APPLIANCE FOR THE PURPOSES FOR WHICH IT WAS DESIGNED AND IN THE MANNER DESCRIBED IN THIS USER'S MANUAL. THIS OVEN IS DESIGNED ONLY TO HEAT, COOK OR DRY FOOD. IT IS NOT DESIGNED FOR INDUSTRIAL OR LABORATORY PURPOSES. DO NOT USE CAUSTIC CHEMICALS ON THIS APPLIANCE.
- DO NOT ATTEMPT TO USE THE MICROWAVE OVEN WITH THE DOOR OPEN. YOU COULD EXPOSE YOURSELF TO THE EFFECT OF MICROWAVES. DO NOT RUN THE MICROWAVE OVEN WHEN IT IS EMPTY.
- DO NOT USE THIS OVEN IF THE POWER CORD OR POWER PLUG IS DAMAGED, IF IT IS NOT WORKING CORRECTLY, IF IT IS DAMAGED OR IF IT HAS BEEN DROPPED ON THE FLOOR. ANY REPAIR OF THE MICROWAVE OVEN OR REPLACEMENT OF A DAMAGED POWER CORD MAY ONLY BE CARRIED OUT BY AN AUTHORISED SERVICE CENTRE OR ANOTHER SIMILARLY QUALIFIED PERSON, AS THIS WILL PREVENT CAUSING A DANGEROUS SITUATION.



WARNING! IF THE DOOR OR THE DOOR SEAL IS DAMAGED THEN THE OVEN MUST NOT BE USED UNTIL REPAIRED BY AN AUTHORISED SERVICE CENTRE OR QUALIFIED PERSON.



WARNING! IT IS DANGEROUS FOR ANYBODY OTHER THAN AN AUTHORISED SERVICE CENTRE OR QUALIFIED PERSON TO CARRY OUT ANY REPAIRS OR MAINTENANCE WHATSOEVER THAT LEADS TO THE REMOVAL OF ANY COVER PROVIDING PROTECTION FROM MICROWAVE ENERGY RADIATION.



WARNING! *THE USE OF THE OVEN BY UNSUPERVISED CHILDREN IS ONLY PERMITTED WHEN SUFFICIENT INSTRUCTIONS WERE GIVEN, SO THAT THE CHILD IS ABLE TO USE THE OVEN IN A SAFE MANNER AND UNDERSTANDS THE DANGER RESULTING FROM INCORRECT USE.*

- TO LIMIT THE RISK OF A FIRE HAZARD INSIDE THE OVEN, USE ONLY KITCHEN DISHES SUITABLE FOR USE IN MICROWAVE OVENS. WHEN HEATING MEAL IN PLASTIC OR PAPER DISHES, REGULARLY CHECK THE OVEN TO PREVENT IT CATCHING ON FIRE.
- IF YOU NOTICE SMOKE, TURN OFF THE APPLIANCE AND DISCONNECT THE POWER PLUG FROM THE SOCKET. LEAVE THE OVEN DOOR CLOSED TO PREVENT POTENTIAL FIRE FROM SPREADING.
- IF YOU ARE NOT USING THE OVEN DO NOT LEAVE PAPER MATERIALS, KITCHEN DISHES OR FOOD INSIDE.



WARNING! *LIQUIDS OR OTHER MEALS MUST NOT BE HEATED IN CLOSED CONTAINERS, BECAUSE THEY COULD EXPLODE.*

- HEATING OF BEVERAGES IN THE MICROWAVE MAY CAUSE A DELAYED BOIL AND SO YOU SHOULD BE CAREFUL WHEN HANDLING CONTAINERS AND DISHES.
- DO NOT FRY FOOD IN THE MICROWAVE OVEN. HOT OIL MAY DAMAGE PARTS OF THE OVEN, DISHES OR MAY ALSO CAUSE SKIN BURNS.

- EGGS IN THEIR SHELLS AND WHOLE HARD BOILED EGGS MUST NOT BE HEATED IN THE MICROWAVE OVEN BECAUSE THEY COULD EXPLODE.
- BEFORE COOKING PRICK FOOD WITH A THICK PEEL, SUCH AS POTATOES, PUMPKINS, APPLES AND CHESTNUTS.
- THE CONTENT OF BABY BOTTLES AND BABY FOOD NEEDS TO BE MIXED OR SHAKEN BEFORE BEING SERVED TO THE INFANT AND THE TEMPERATURE NEEDS TO BE CHECKED TO PREVENT BURNS.
- KITCHEN DISHES MAY BECOME HOT AS A RESULT OF THE HEAT TRANSFERRED FROM THE HEATED FOOD. SOMETIMES IT MAY BE NECESSARY TO USE PROTECTIVE GLOVES.



IMPORTANT!

KITCHEN DISHES AND UTENSILS, WHICH MUST NOT BE USED IN THE MICROWAVE OVEN:

- *METAL PANS AND CROCKERY WITH METAL HANDLES OR WITH METAL DECORATIONS;*
- *CLAMPS ON PLASTIC BAGS;*
- *DISHES WITH MELAMINE SURFACE TREATMENT;*
- *STANDARD THERMOMETERS, WHICH ARE USED FOR MEASURING THE TEMPERATURE OF MEAT ETC.*

Radio wave interference

The use of the oven may cause interference to a radio, television or similar receivers.

If interference occurs, it may be limited by the following measures:

1. keeping the door and the surface of the oven seals clean;
2. redirecting the radio or television signal reception antenna;
3. moving the microwave oven further away from the receiver;
4. connecting the microwave oven to a different power socket so that the microwave oven and the receiver do not share the same circuit.

Grounding instructions

This microwave oven must be grounded. The microwave oven is equipped with a power cord, which has a ground wire with a grounding power plug. The power plug must be connected to a mains socket outlet that is correctly installed and grounded. This reduces the risk of injury by electric shock if a short circuit occurs – in such a case the electric current goes through the earthing wire. We recommend that the microwave oven be connected to an independent electrical circuit. The use of high voltage is dangerous and may lead to a fire or another accident that can damage the microwave oven.

WARNING!

An incorrectly grounded power socket may present a danger of electric shock

NOTE:

1. If you are uncertain about the grounding of your mains power socket, contact an authorised service centre or a qualified electrician.
2. Neither the manufacturer nor the vendor is responsible for damages to property and health if the microwave oven is connected incorrectly and not in accordance with the presented recommendations.

PART 2: INSTALLATION

1. Make sure that all the packing materials are removed from the inside of the door.
2. **WARNING:** Check the oven for any damage, such as misaligned or bent door, damaged door seals and sealing surface, broken or loose door hinges and latches and dents inside the cavity or on the door. If there is any damage, do not operate the oven and contact qualified service personnel.
3. This microwave oven must be placed on a flat, stable surface to hold its weight and the heaviest food likely to be cooked in the oven.
4. Do not place the oven where heat, moisture, or high humidity are generated, or near combustible materials.
5. For correct operation, the oven must have sufficient airflow. Allow 20cm of space above the oven, 10cm at back and 5cm at both sides. Do not cover or block any openings on the appliance. Do not remove feet.
6. Do not operate the oven without glass tray, roller support, and shaft in their proper positions.
7. Make sure that the power supply cord is undamaged and does not run under the oven or over any hot or sharp surface.
8. The socket must be readily accessible so that it can be easily unplugged in an emergency.
9. Do not use the oven outdoors.

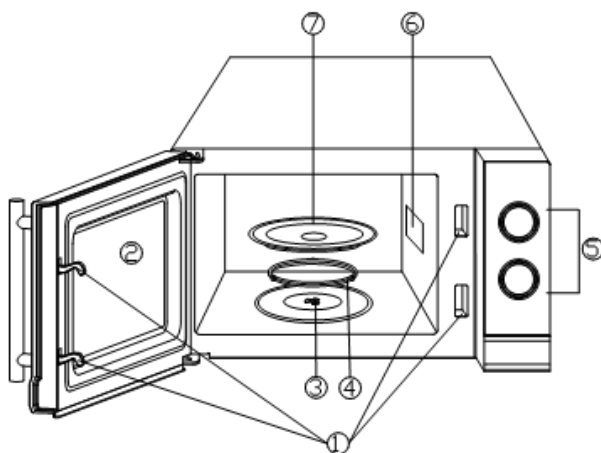
PART 3: UTENSILS GUIDE

1. Microwave cannot penetrate metal. Only use utensils that are suitable for use in microwave ovens. Metallic containers for food and beverages are not allowed during microwave cooking. This requirement is not applicable if the manufacturer specifies size and shape of metallic containers suitable for microwave cooking.
2. Microwave cannot penetrate metal, so metal utensils or dishes with metallic trim should not be used.
3. Do not use recycled paper products when microwave cooking, as they may contain small metal fragments which may cause sparks and/or fires.
4. Round /oval dishes rather than square/oblong ones are recommend, as food in corners tends to overcook.
5. Narrow strips of aluminum foil may be used to prevent overcooking of exposed areas. But be careful don't use too much and keep a distance of 1 inch (2.54cm) between foil and cavity.

The list below is a general guide to help you select the correct utensils.

COOKWARE	MICROWAVE
Heat-Resistant Glass	Yes
Non Heat-Resistant Glass	No
Heat-Resistant Ceramics	Yes
Microwave-Safe Plastic Dish	Yes
Kitchen Paper	Yes
Metal Tray	No
Metal Rack	No
Aluminum Foil & Foil Containers	No

PART 4: PART NAMES



1. Door Safety Lock System
2. Oven Window
3. Shaft
4. Roller Ring
5. Control Panel
6. Wave Guide
(Please do not remove the mica plate covering the wave guide)
7. Glass Tray

PART 5: CONTROL PANEL

The control panel consists of two function operators. One is a timer knob, and another a power knob.

Power/Action Selector

You use this operator knob to choose a cooking power level. It is the first step to start a cooking session.

Timer Knob

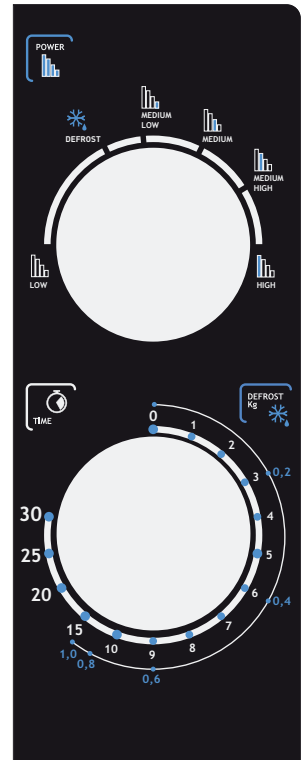
Offer visual timing settings at easy turn of your thumb to select a desired cooking time up to 30 minutes per cooking session.

Microwave Cooking

For pure microwave cooking, there are six power levels from which to choose one as best fit to do the job at hand.

Power level increases with the knob turning clockwise. The power levels can be classified as the following:

	Power Output	Description
1	100%	HIGH
2	88%	MEDIUM HIGH
3	73%	MEDIUM
4	52%	MEDIUM LOW
5	42%	DEFROST
6	20%	LOW



PART 6: OPERATION

To start a cooking session,

1. Place food in oven and close the door.
2. Turn Power Selector to select a power level.
3. Use Timer knob to set a cooking time

NOTE:

As soon as the timer is turned, oven starts cooking.

When selecting time for less than 2 minutes, turn timer past 2 minutes and then return to the correct time.

CAUTION!

ALWAYS RETURN TIMER BACK TO ZERO POSITION if food is removed from oven before the set cooking time is complete or when oven is not in use. To stop oven during cooking process, push the door release button or open the door by the handle.

PART 7: MAINTENANCE AND CLEANING

1. Turn off the microwave oven and disconnect from the power socket before performing regular or exceptional maintenance.
2. Keep the inside area clean. If the walls of the microwave oven are splattered with food juices then wipe them away using a damp cloth. If the microwave oven is heavily soiled, you can use a weak solution of a neutral cleaning agent. Do not use cleaning agents in a spray or other coarse agents as they could scratch, damage or degrade the surface of the microwave oven.
3. Wipe the exterior surface with a damp cloth. To prevent damaging the operating parts of the oven, make sure that water does not enter the ventilation openings.
4. Regularly clean both sides of the door and window, door seal and other parts using a damp cloth so as to remove drops or food remains. Do not use cleaning agents causing abrasion.
5. Do not expose the control panel to moisture. Clean it using a fine damp cloth. Leave the door open when cleaning the control panel so as not to accidentally start the oven.
6. If the inside of the oven or around the door fogs up with steam from food, wipe it off with a clean dry wiping cloth. This condition may arise if the oven is installed in a humid environment. This is a normal event.
7. Regularly clean the glass plate. You can clean the plate in warm water or in a dishwasher.
8. The rotating ring and the under side of the inside area of the oven should be regularly cleaned to prevent excessive noise. Simply clean out the under side of the inside area of the oven using a weak neutral detergent solution. You may wash the rotating ring in a weak neutral cleaning agent solution or in a dishwasher. Do not forget to correctly return the rotating ring back into the microwave oven after taking it out.
9. To remove unpleasant odours from the oven place a glass (check that it is suitable for use in a microwave oven) of water with juice and peel from one lemon into the microwave oven and allow it to cook in the microwave mode for 5 minutes. Thoroughly wipe out the inside area of the oven until dry with a fine cloth.
10. If the interior light needs to be replaced, please contact an authorised service centre.
11. Regularly clean the oven and remove food remains. Otherwise, the surface of the oven may be damaged or its lifetime may be reduced or there may be a risk of a hazardous situation arising.

PART 8: SPECIFICATIONS

Power Consumption:	230-240V/50Hz, 1200W
Rated microwave power output:	700W
Operation Frequency:	2450MHz
Outside Dimensions:	262mm(H)×452mm(W)×349mm(D)
Oven Cavity Dimensions:	198mm(H)×315mm(W)×294mm(D)
Oven Capacity:	Compact 17Litres
Net Weight:	Approx. 10.5 kg

INSTRUCTIONS AND INFORMATION REGARDING THE DISPOSAL OF USED PACKAGING MATERIALS

Dispose of packaging material at a public waste disposal site.

DISPOSAL OF USED ELECTRICAL AND ELECTRONIC APPLIANCES



The meaning of the symbol on the product, its accessory or packaging indicates that this product shall not be treated as household waste. Please, dispose of this product at your applicable collection point for the recycling of electrical & electronic equipment waste. Alternatively in some states of the European Union or other European states you may return your products to your local retailer when buying an equivalent new product. The correct disposal of this product will help save valuable natural resources and help in preventing the potential negative impact on the environment and human health, which could be caused as a result of improper liquidation of waste. Please ask your local authorities or the nearest waste collection centre for further details. The improper disposal of this type of waste may fall subject to national regulations for fin nes.

For business entities in the European Union

If you wish to dispose of an electrical or electronic device, request the necessary information from your seller or supplier.

Disposal in other countries outside the European Union

If you wish to dispose of this product, request the necessary information about the correct disposal method from local government departments or from your seller.



This product meets all the basic EU regulation requirements that relate to it.

Changes to the text, design and technical specifications may occur without prior notice and we reserve the right to make these changes.



WARNING! DURING USING, SERVICE AND DISPOSAL THE APPLIANCE, PLEASE PAY ATTENTION TO SYMBOL SIMILAR AS LEFT SIDE, WHICH IS LOCATED ON REAR OF APPLIANCE (REAR PANEL OR COMPRESSOR) AND WITH YELLOW OR ORANGE COLOR.



IT'S RISK OF RE WARNING SYMBOL. THERE ARE FLAMMABLE MATERIALS IN REFRIGERANT PIPES AND COMPRESSOR. PLEASE BE FAR AWAY RE SOURCE DURING USING, SERVICE AND DISPOSAL.

Manufacturer/Importer:
Fast ČR, a.s.
Praha 10, Černokostecká 2111
CZ-10000; CZECH REPUBLIC

PHILCO[®] 

**is a registered trademark used under license from
Electrolux Home Products., Inc.**