

Wine cooler

OWNER'S MANUAL

PHILCO



Famous for Quality the World Over

PW 17 GDFB

PW 32 GD

PW 38 GDFB

PW 46 GDFB

PW 166 GD

Thank you very much for buying this product.

Before using your new refrigerator, please read this operation manual to ensure that you gain the maximum benefit from it.

CONTENTS

SAFETY PRECAUTIONS.....	3
DESCRIPTION OF APPLIANCE AND INSTALLATION	7
ACCESSORY INSTALLATION BEFORE OPERATING.....	12
OPERATING THE WINE COOLER.....	13
CARE AND MAINTENANCE.....	20
TROUBLESHOOTING.....	23
REVERSE THE DOOR SWING	24
PRODUCT INFORMATION SHEET	30



This appliance has been tested in accordance with the directives in force in the European Union.
This appliance conforms to the relevant safety provisions for electrical appliances in force in the European Union.

DEAR CUSTOMER:

Thank you for buying this refrigerator. To ensure that you get the best results from your new refrigerator, please take time to read through the simple instructions in this booklet.

Please ensure that the packing material is disposed of in accordance with the current environmental requirements.

When disposing of any refrigerator equipment please contact your local waste disposal department for advice on safe disposal.

This appliance must be only used for its intended purpose.

CAUTION:

The appliance is not intended for use by young children or infirm persons without supervision.

Young children should be supervised to ensure that they do not play with the appliance.

SAFETY PRECAUTIONS

THIS APPLIANCE CAN BE USED BY CHILDREN AGED FROM 8 YEARS AND ABOVE AND BY PERSONS WITH REDUCED PHYSICAL, SENSORY OR MENTAL CAPABILITIES OR LACK OF EXPERIENCE AND KNOWLEDGE IF THEY HAVE BEEN GIVEN SUPERVISION OR INSTRUCTIONS CONCERNING USE OF THE APPLIANCE IN A SAFE WAY AND IF THEY UNDERSTAND THE HAZARDS INVOLVED.

CHILDREN MUST NOT PLAY WITH THE APPLIANCE. CLEANING AND MAINTENANCE CANNOT BE PERFORMED BY CHILDREN WITHOUT SUPERVISION. CHILDREN AGED FROM 3 TO 8 YEARS OF AGE CAN INSERT AND REMOVE FOOD FROM REFRIGERATION APPLIANCES.

IF THE SUPPLY CABLE GETS DAMAGED, HAVE IT REPLACED BY A SPECIALIZED SERVICE CENTRE IN ORDER TO AVOID DANGEROUS SITUATIONS. IT IS PROHIBITED TO USE AN APPLIANCE WITH THE SUPPLY CABLE DAMAGED.



ICE MAKERS THAT ARE NOT INTENDED FOR CONNECTION TO THE WATER SUPPLY SHOULD ONLY BE FILLED WITH DRINKING WATER.



VENTILATION OPENINGS IN THE HOUSING OF THE APPLIANCE OR IN ITS CONSTRUCTION MUST BE KEPT WITHOUT OBSTACLES.



DO NOT USE ANY MECHANICAL DEVICES OR MEANS OTHER THAN RECOMMENDED BY THE MANUFACTURER TO SPEED UP THE DEFROSTING PROCESS.



DO NOT DAMAGE THE COOLING CIRCUIT.



DO NOT USE ELECTRIC APPLIANCES IN THE FOOD STORAGE COMPARTMENT, UNLESS IT IS A TYPE RECOMMENDED BY THE MANUFACTURER.

DO NOT STORE EXPLOSIVE SUBSTANCES IN THIS APPLIANCE, SUCH AS AEROSOL CANS WITH A FLAMMABLE PROPELLANT GAS.

THIS APPLIANCE IS INTENDED TO BE USED ONLY IN HOUSEHOLDS AND NOT IN SIMILAR PREMISES, SUCH AS:

- KITCHENETTES IN SHOPS, OFFICES AND OTHER WORKPLACES;
- APPLIANCES USED BY GUESTS IN HOTELS, MOTELS, AND OTHER ACCOMMODATION FACILITIES;
- APPLIANCES USED IN BED AND BREAKFAST FACILITIES;
- APPLIANCES USED IN CATERING AND OTHER SIMILAR NON-VENDING ENVIRONMENTS.



ICE MAKERS THAT ARE INTENDED FOR CONNECTION TO THE WATER SUPPLY SHOULD ONLY BE CONNECTED TO DRINKING WATER SUPPLY.



THE APPLIANCE MUST BE FASTENED IN ACCORDANCE WITH THE MANUAL TO PREVENT DANGER CAUSED BY ITS INSTABILITY.



THE ISO 7000-1701 MARK (2004-01) INDICATES MEDIUM UNDER PRESSURE.



FIRE HAZARD / FLAMMABLE MATERIALS!



THE COOLING SYSTEM CONTAINS REFRIGERANT UNDER HIGH PRESSURE. DO NOT MANIPULATE WITH THE SYSTEM. THE SYSTEM MAY BE REPAIRED BY AUTHORISED PERSONS ONLY.

R600A

CONTAINS COOLING GAS ISOBUTANE WHICH IS FLAMMABLE. AVOID DAMAGING REFRIGERATION CIRCUIT COMPONENTS DURING TRANSPORT AND INSTALLATION OF THE APPLIANCE.



WHEN PLACING THE APPLIANCE IT MUST BE ENSURED THAT THE SUPPLY CORD DOES NOT GET CAUGHT OR DAMAGED.



DO NOT PLACE PORTABLE MULTIPLE SOCKET-OUTLETS OR PORTABLE EXTENSION CABLES TO THE REAR SIDE OF THE APPLIANCE.

OTHER RECOMMENDATIONS / INSTALLATION

SAFETY OF THE ELECTRICAL SYSTEM:

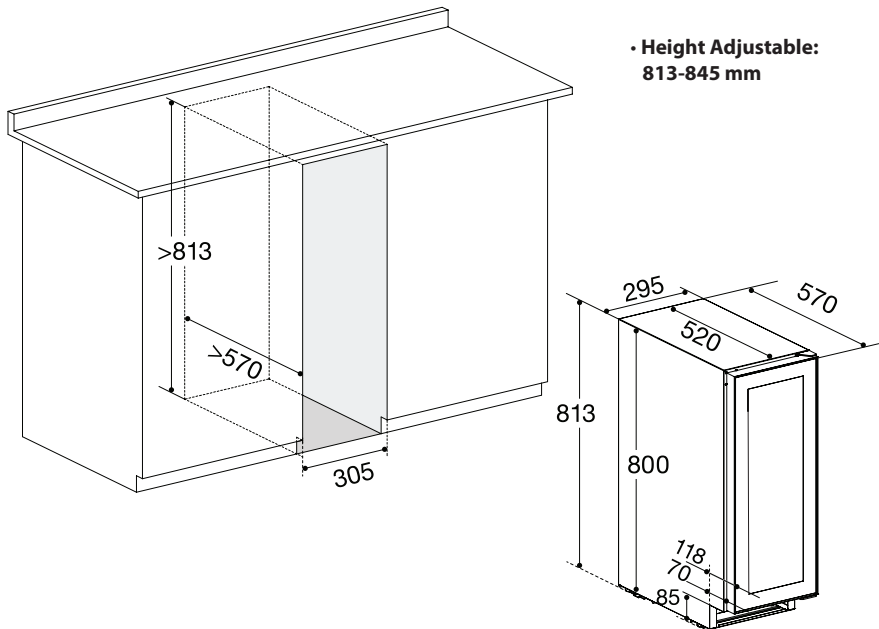
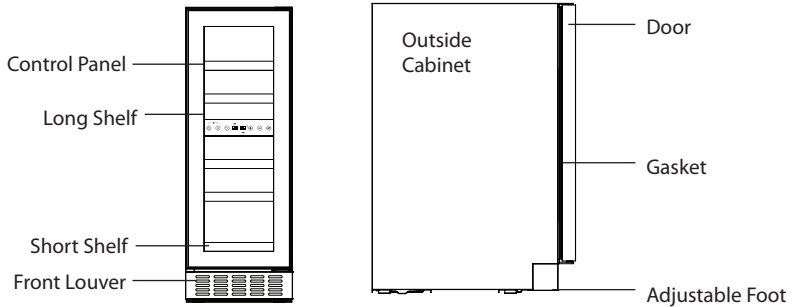
- THE POWER CORD MUST NOT BE EXTENDED.
- PLEASE ENSURE THAT THE PLUG OF THE POWER CORD IS NOT DAMAGED, OTHERWISE IT COULD OVERHEAT AND CAUSE A FIRE.
- WHEN PLACING THE APPLIANCE IT MUST BE ENSURED THAT THE CABLE CORD DOES NOT GET CAUGHT OR DAMAGED.
- DO NOT PLACE PORTABLE MULTIPLE SOCKET-OUTLETS OR PORTABLE EXTENSION CABLE TO THE REAR SIDE OF THE APPLIANCE.
- THE APPLIANCE MUST NOT STAND ON THE POWER CORD.
- THE APPLIANCE MUST NOT BE PLACED IN A HUMID ENVIRONMENT; THE POWER CORD MUST NOT LIE IN WATER.
- MAKE SURE THAT YOU HAVE FREE ACCESS TO THE PLUG OF THE APPLIANCE.
- DO NOT PULL ON THE POWER CORD.
- IF AN ELECTRICAL OUTLET IS LOOSENED, DO NOT CONNECT THE PLUG TO IT. THERE IS A RISK OF ELECTRIC SHOCK OR FIRE.
- THIS APPLIANCE MUST NOT BE USED WITHOUT THE INTERIOR LIGHT COVER.
- THE REFRIGERATOR IS DESIGNED TO BE USED ONLY WITH ONE-PHASE ALTERNATING CURRENT POWER SUPPLY WITH VALUES OF 220 - 240 V / 50 HZ. IF THE VOLTAGE FLUCTUATION IN THE PLACE OF RESIDENCE OF THE USER IS SO GREAT THAT IT EXCEEDS THE GIVEN LIMITS, USE AN AUTOMATIC VOLTAGE REGULATOR WITH THE REFRIGERATOR OF MORE THAN 350 W FOR SAFETY REASONS.
- THE PLUG MUST BE USED WITH A SOCKET WITH AN EARTH CONTACT.

DESCRIPTION OF APPLIANCE AND INSTALLATION

The following pictures only show description of appliance. The dimension and shelf quantity may differ among the models of the same series.

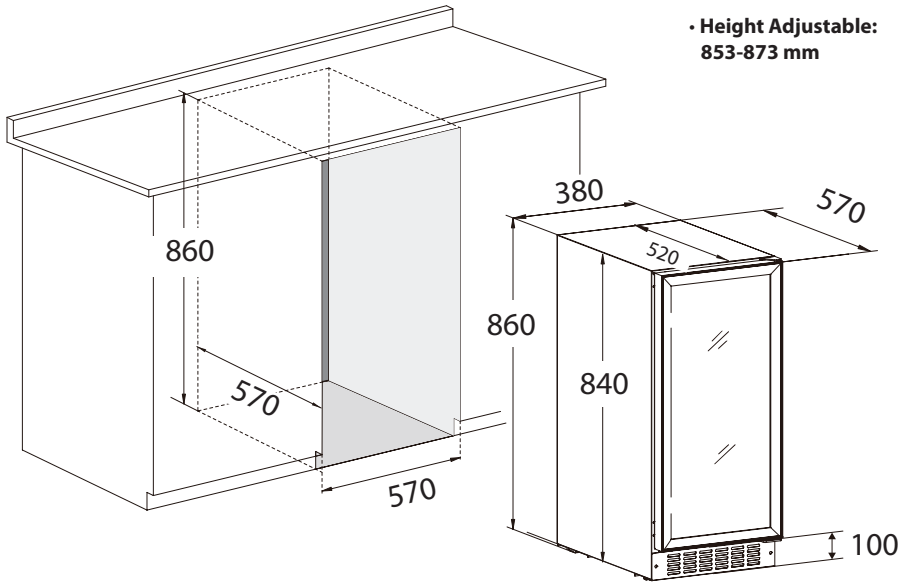
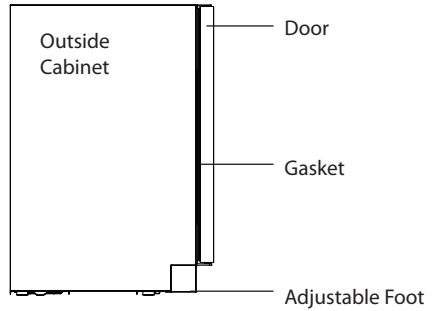
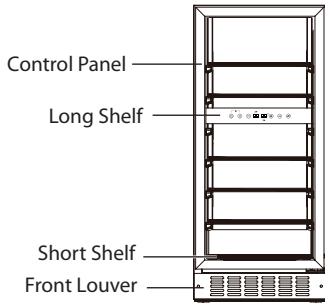
■ PW 17 GDFB CONTROL IN CABINET

Dual Zone **17** Bottles



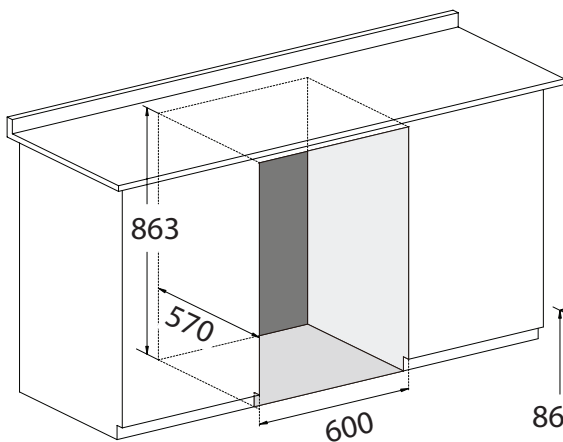
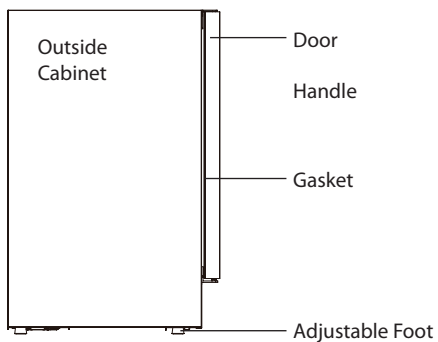
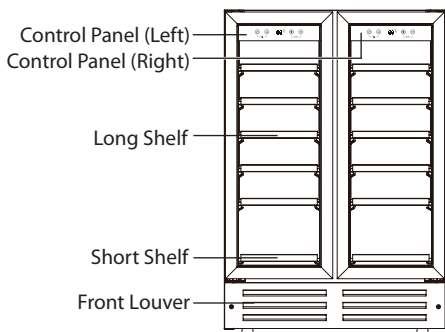
■ PW 32 GD CONTROL IN CABINET

Dual Zone **32** Bottles

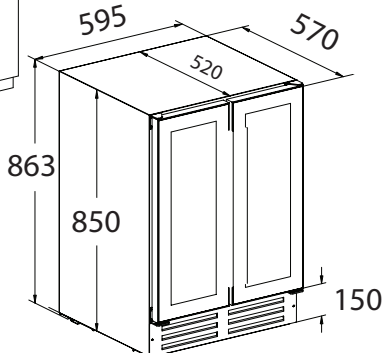


■ PW 38 GDFB CONTROL IN CABINET

Dual Zone **38** Bottles

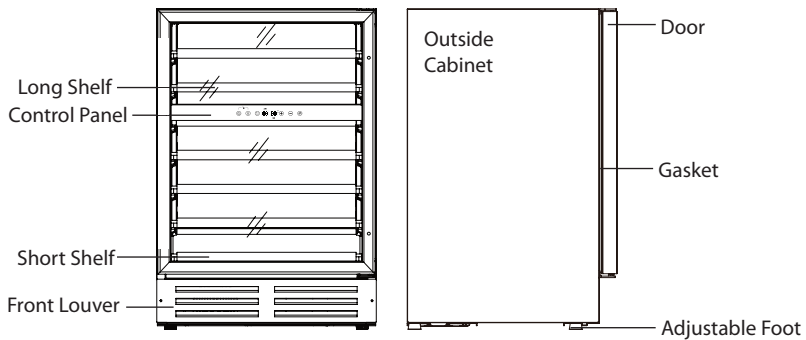


• Height Adjustable:
813-845 mm

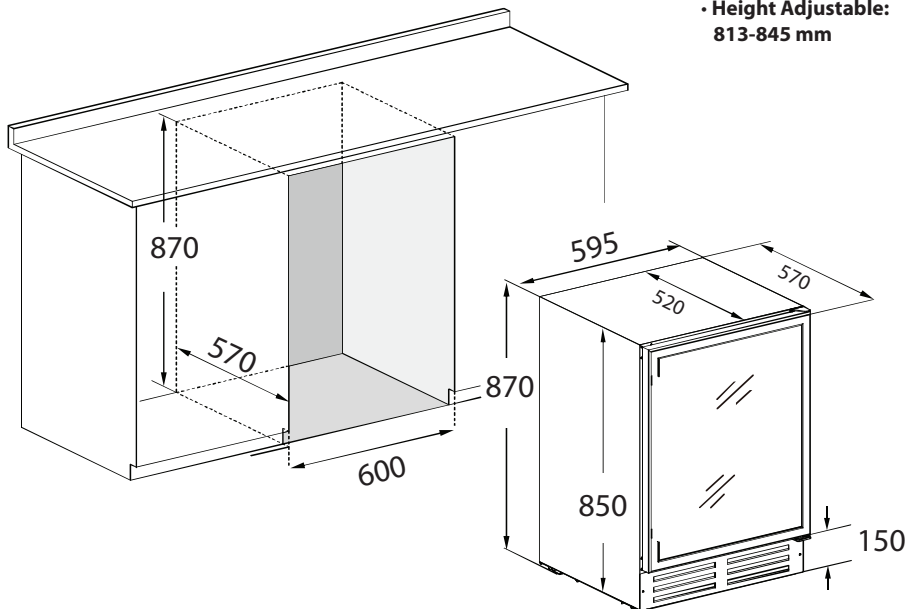


■ PW 46 GDFB CONTROL IN CABINET -HEIGHT: 86.3CM

Dual Zone **46** Bottles

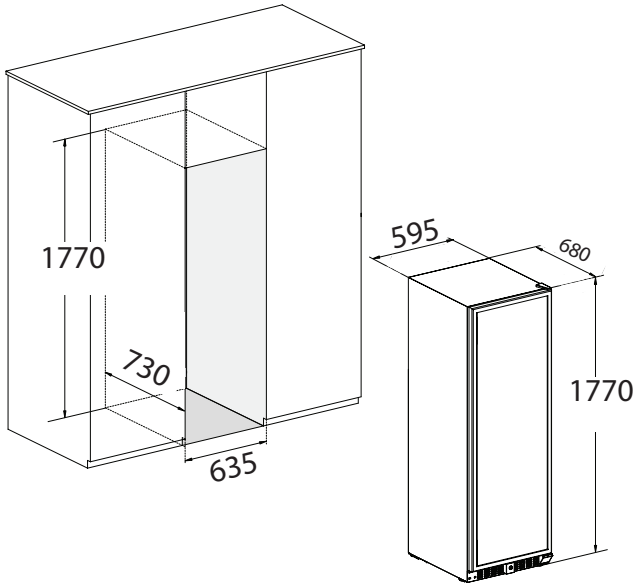
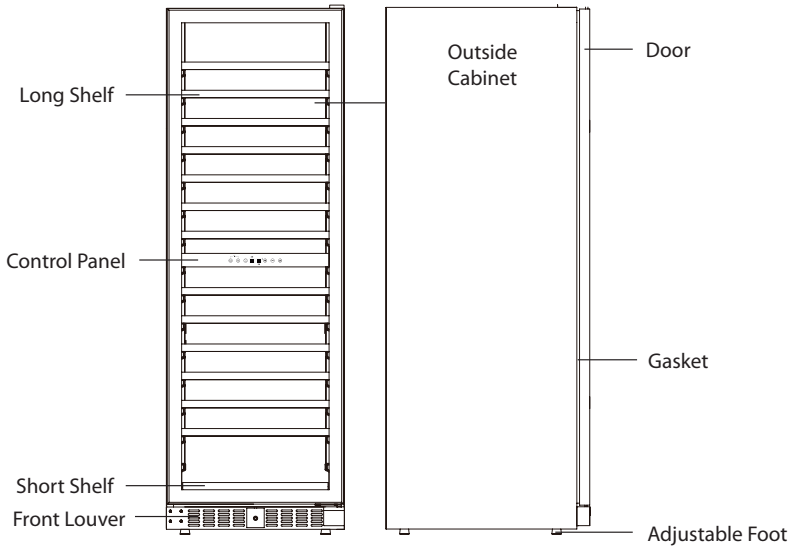


• Height Adjustable:
813-845 mm



■ PW 166 GD CONTROL IN CABINET

Dual Zone **166** Bottles



ACCESSORY INSTALLATION BEFORE OPERATING

■ UNPACKING AND CLEANING THE WINE COOLER

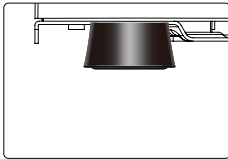
- Remove the exterior and interior packing materials.
- Let the appliance stand upright for approximately **24 hours** before connecting it to the power source, which helps to reduce the possibility of a cooling-system malfunction from handling during transportation.
- Use a soft cloth to clean the interior surface with lukewarm water.

IMPORTANT: The front louver at the base of the appliance is for ventilation. Nothing should be placed in front of this front louver; otherwise your Wine Cooler may not operate properly.

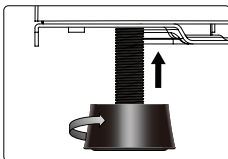
- A decorative plinth can be fitted to the front of the base vent, a cut-out should be made in the plinth with bigger size than the front louver. The cut out is required whether the front louver is removed or not.

■ ADJUSTING THE HEIGHT AND LEVELLING OFF YOUR WINE CABINET

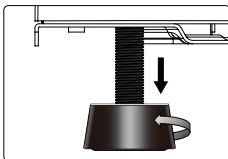
- The appliance is equipped with adjustable feet, so that the height may be adjusted to level the cabinet on uneven floor surfaces.
- We recommend that two people carry out this procedure.
- The height must be adjusted prior to building the appliance into the housing unit and it should be set at such a height that the top panel of the appliance fits exactly below the kitchen worktop.



- Tilt the appliance approximately 60° to allow access to the adjustable feet.
- Take care to ensure the cabinet is supported at all times.



- Twist the foot into a suitable position to level the cabinet.



- Repeat these steps for the other adjustable feet.

IMPORTANT: If the appliance is not level, then the door and door seal may be affected.
IMPORTANT: Do not move the appliance when the feet are adjusted high.

■ LOCK & UNLOCK THE DOOR (FOR OPTION)

- Lock is an optional function. If your Wine Cooler has such function, a key should be attached inside the packing of this Manual.
- Insert the key into the lock and turn it counter-clockwise to unlock the door. To lock it, please turn clockwise. Please save the key well.

OPERATING THE WINE COOLER

■ WORKING CLIMATE

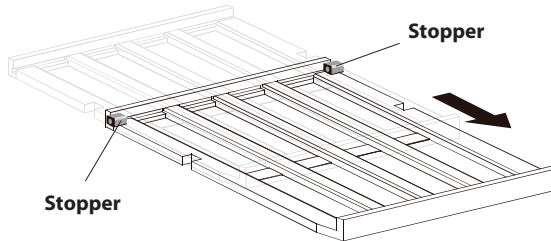
- The appliance is designed for operating from SN to N climate (see below climate class chart). It is recommended to maintain the ambient around 22-25°C which helps the appliance working with low power consumption.

Klimaclass	Romtemperatur
SN	10 - 32 °C (50 °F - 90 °F)
N	16 - 32 °C (61 °F - 90 °F)
ST	16 - 38 °C (64.4 °F - 100 °F)
T	16 - 43 °C (64.4 °F - 109 °F)

- If the ambient temperature is above or below the designed climate range, the performance of the unit may be affected. For example, the appliance operating in extreme cold or hot conditions may cause interior temperatures to fluctuate, and the temperature set 5-22°C may not be reached sometimes.

■ THERE ARE FIVE SHELVES AND ONE DISPLAY SHELF IN TOTAL

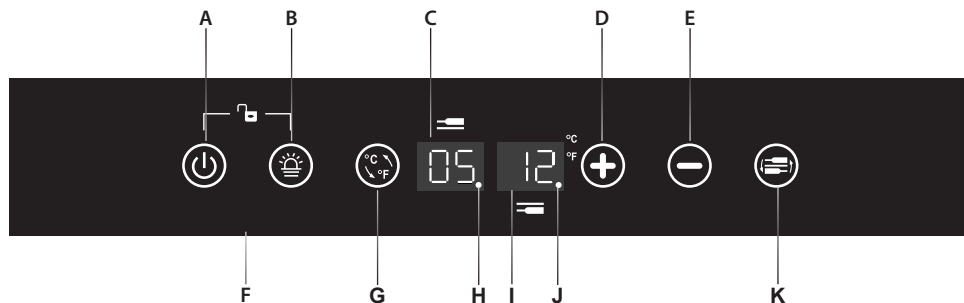
- The standard shelves are designed perfectly for Bordeaux bottle storage. The maximum loaded bottles may vary subject to the different size or dimension wine bottles you store.
- The shelves is allowed to be pulled out by about 1/3 length of it for easy access to the wine storage.



- To prevent damaging the door gasket, make sure to have the door opened fully all the way before pulling the shelves out.
- Please store wine in sealed bottles.
- Do not cover the shelves with aluminum foil or any other shelf material which may prevent air circulation.
- Should the wine cooler be left empty for long periods it is suggested that the appliance is unplugged, and after careful cleaning, leave the door ajar to allow air to circulate inside the cabinet in order to avoid possible condensation, mold or odours forming.
- Recommended temperatures for chilling/storing your wines.

Wine Type	Recommender Temp.
Red Wines	15 - 18°C (59°F-64°F)
Dry/White Wines	9 - 14°C (48°F-57°F)
Rose Wines	10 - 11°C (50°F-52°F)
Sparkling Wines	5 - 8°C (41°F-46°F)

■ CONTROL PANEL (CONTROL IN CABINET)



A. Power

B. Lighting

C. Upper Zone
Display Window

D. Temp. Plus

E. Temp. Minus

F. Lock /
Unlock

G. °C/°F Switch

H. Function
Indicator ¹

I. Lower Zone
Display Window

J. Function
Indicator ²

K. Zone Select

■ POWER ON/OFF CONTROL

- When the appliance is plugged in to a power outlet, it powers on automatically.
- Touch the power mark and hold for **10 seconds** to turn off (or turn on) the appliance.
- No matter it is under a locked or unlocked condition, you can turn off the appliance by touching the power mark and holding for **10 seconds**.



Warning: To avoid damaging the compressor, please do not turn on the appliance again within 5 minutes after you turn it off.

■ UNLOCKING THE CONTROL PANEL

- To unlock the control panel, touch the power mark and lighting mark with 2 fingers at the same time and hold for **3 seconds**. When unlocked a buzz sound will be heard.
- The control panel will be automatically locked with a buzz sound heard after **10 seconds** without being touched.
- Under the locked condition, the control panel will not react to any touching order for Lighting On/Off and Temperature Setting.

■ INTERIOR LIGHTING ON/OFF CONTROL

- Under the unlocked condition, touch the lighting mark to turn on (or turn off) the interior cool LED lighting.
- The lighting will stay on until it is manually turned off.

■ TEMPERATURE DISPLAY WINDOW

- The temperature is displayed in digital which is the best way to be read out. The digital is shown as the set temperature when you are setting the temperature.
- When the temperature probe is out of order, the display window will show with “HH” or “LL” instead of a digital figure while continuous buzz sound will be heard. In case of this happens, this appliance is considerably designed to keep periodical running of compressor and fans which helps to keep the coldness of the inside cabinet to protect your stored wines.



Warning: To avoid destroying your stored wines, it is strongly recommended to have the appliance repaired immediately, as the spare periodical running can not ensure the appliance to achieve the temperature you have set.

■ TEMPERATURE RANGE SETTING

- The default temperature setting ranges are E: 5-12 °C (41-54 °F) for the upper zone and 12-22 °C (54-72 °F) for the bottom zone.
- To set a temperature range as desired, pls. make sure the control panel is under locked condition.
- Press the mark \ominus for **3 seconds**, the display windows will flash “E”--“F”--“H”--“L” in loop with a sound of beep by every pressing.
- Leave the display windows flashing for 3 seconds with a sound of beep to confirm the setting.

Display	Temp. Range (Dual Zone)	
	Upper Zone	Lower Zone
E (Default)	5 - 12 °C (41°F-54°F)	12 - 22 °C (54°F-72°F)
F	2 - 12 °C (36°F-54°F)	12 - 20 °C (54°F-68°F)
H	5 - 12 °C (41°F-54°F)	8 - 19 °C (46°F-66°F)
L	2 - 10 °C (36°F-50°F)	2 - 10 °C (36°F-50°F)

■ TEMPERATURE SETTING

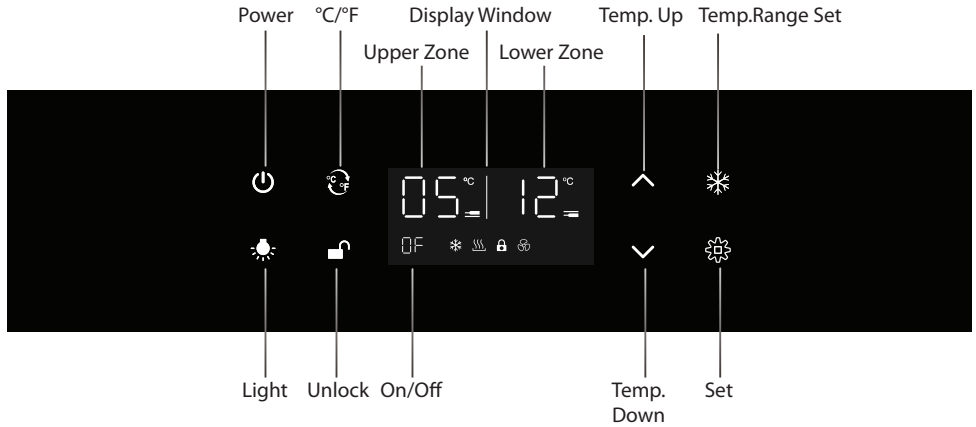
- The default temperature setting ranges are E: 5-12 °C (41-54 °F) for the upper zone and 12-22 °C (54-72 °F) for the bottom zone.
- You need to select the set zone by touching the mark \oplus before touching the mark \oplus or \ominus to set the desired temperature. The zone temperature will flash when it is ready to be set.
- The first touch on mark \oplus or \ominus will recall the previous set temperature displayed in the digital window.
- Touch the mark \oplus to increase the set temperature by 1°C (or by 1°F). On the contrary, touch the mark \ominus to decrease the set temperature by 1°C (or by 1°F).

■ SELECTING FAHRENHEIT(°F) & CELSIUS (°C) DISPLAY

Directly touch the mark \odot , you can interchange the Fahrenheit and Celsius display for both zones at the same time.

- * For models of **PW 38 GDFB**, the Celsius and Fahrenheit of Left and Right Zone will be changed at the same time no matter the operation above on Left or Right Zone.

■ CONTROL PANEL PW 46 GDFB CONTROL ON DOOR



■ POWER ON/OFF CONTROL



- Press to turn on the control panel back light buttons if they are off.
- To turn off your wine cellar for cleaning or extended absence, press the power button once. After the unit beeps once, hold the power button for **10 seconds** and your wine cellar will shut itself off. Once the wine cellar has been turned off, please allow at least **5 minutes** before starting up again. This will limit excessive wear on the compressor.

POWER



Warning

To avoid damaging the compressor, please do not turn on the appliance again within **5 minutes** after you turn it off.

■ POWER ON/OFF CONTROL



Unlock

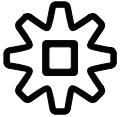
- Press for 3 seconds to unlock the control panel.

■ SELECTING FAHRENHEIT(°F) & CELSIUS (°C) DISPLAY



- Press to alter the temperature display in Fahrenheit or Celsius.

■ TEMPERATURE SETTING



SET

- Press to select Upper/Lower zone for setting temperature. The digital display flashes to inform the accessibility to adjust setting.

■ TEMPERATURE SETTING



Temp. Up

- Press to increase setting temperature by 1°.



**Temp.
Down**

- Press to decrease setting temperature by 1°.



Temp. Range Set

- Press to change the temperature set-range among E, F, H, L, and leave it for **3 seconds** to confirm your option. Your wine cellar is originally set as "E", the ideal temperature for the storage of red wine.

Display	Temp. Range	
	Upper Zone	Lower Zone
E (Default)	5 - 12 °C (41°F-54°F)	12 - 22 °C (54°F-72°F)
F	2 - 12 °C (36°F-54°F)	12 - 20 °C (54°F-68°F)
H	5 - 12°C (41°F-54°F)	8 - 19 °C (46°F-66°F)
L	2 - 10 °C (36°F-50°F)	12 - 22 °C (54°F-72°F)

Note:

The control panel will lock automatically when left untouched for **15 seconds**. Make sure to unlock the control panel before setting. With the exception of the power button, all other buttons' back light will turn off when the control panel is left untouched for **15 seconds**.

■ TEMPERATURE SETTING



- Set temperature of Upper Zone



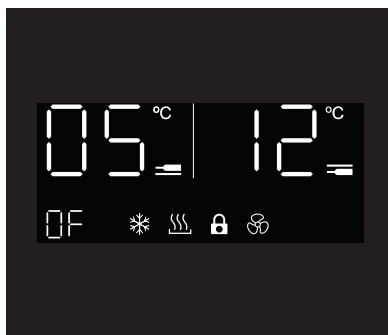
- Set temperature of Lower Zone



- Display Window is on.



- Display Window is Off.



The display window can be set to the off position for a less obtrusive appearance. Your Wine Cooler will continue to run, but the Wine Coolers display window will not be visible. You can check the temperature of the Wine Cooler by pressing the **Power** button.

To set the display window to either on or off, press **°C/°F** button for **5 seconds** while the control panel is locked.

Once the ON/OF indicator flashes, press **°C/°F** a second time to enter into the option interface. "ON" will show the display window at all times while "OF" will turn off the display window. Leave the control panel untouched for **5 seconds** to confirm your option.

Note:

Temperatures may fluctuate depending on whether the interior light is ON or OFF and depending on the position of the bottles.

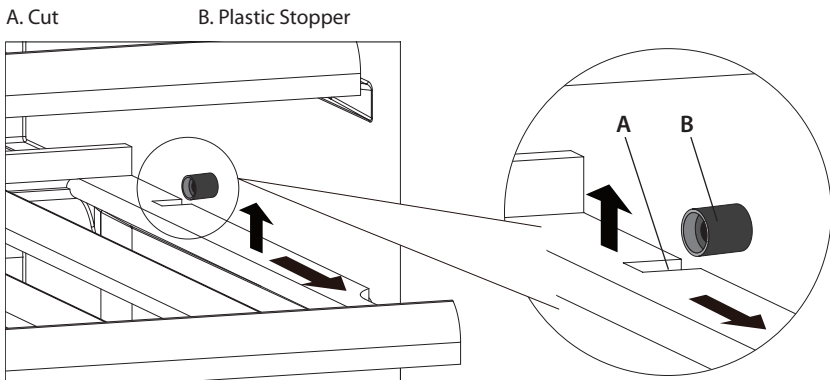
CARE AND MAINTENANCE

■ CLEANING THE WINE COOLER

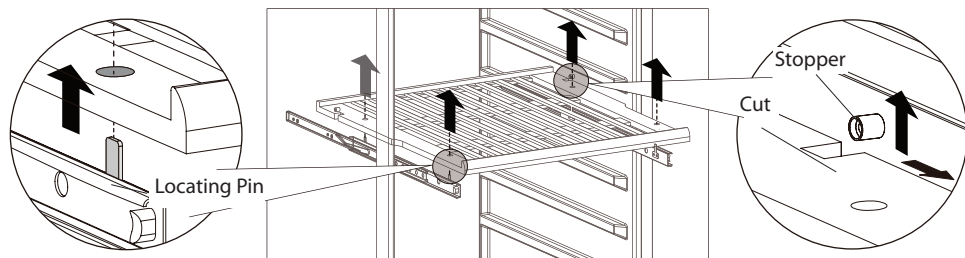
- Turn off the power, unplug the appliance, and remove all items including shelves.
- Wipe the inside surfaces with a sponge and baking soda solution. The solution should be about 2 tablespoons of baking soda to 1 quart (approx. 1 litre) of warm water.
- Wash the shelves with a mild detergent solution. Allow wooden shelves to dry before placing back into the wine cooler.
- Wring excess water out of the sponge or cloth when cleaning area of the controls, or any electrical parts.
- Wipe the outside cabinet with warm water and mild liquid detergent. Wipe dry with a clean soft cloth.
- Do not use steel wool or steel brush on the stainless steel. These will scratch the stainless steel with steel particles and rusting may occur.

■ REMOVING THE SHELVES

- Before removing a Shelf from the appliance, it is necessary to remove all the bottles on the Shelf ;
- For a model without Telescopic Rail, move the shelf to the position where the cut of the wooden shelf is directly under the plastic stopper and lift the wooden shelf. Please ensure these are replaced when the shelf is put back.
- Make sure the shelves are fully engaged before loading any bottle into the cabinet. Pull the shelves out all the way to the STOPPER position and push them back in several times to make sure the shelves are properly engaged.



- For a model with Telescopic Rail, pls. lift the whole Shelf upwards horizontally to get it off from the 4 Locating Pins of Telescopic Rail.

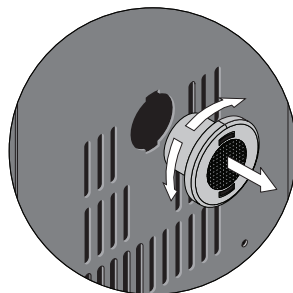


■ CARBON FILTER CHANGE (OPTION)

A good ambient air quality is important for wine maturing. The Carbon Filter is very helpful to absorb odor and improve air quality. For the models with Carbon Filter, we suggest to replace it once a year. Pls. contact your dealer to get the filter.

Removing the Carbon Filter:

- o Hold the Carbon Filter and turn it 90° to the left or right to Remove it;
- Reinstalling the Carbon Filter:
- o Hold the Carbon Filter and turn it 90° to the left or right until it clicks into place.



■ DEFROSTING

- o Defrosting occurs automatically inside of the Wine Cooler during operation. The defrost water is collected by the evaporating tray and evaporates automatically.
- o The evaporating tray and defrost water drain hole should be cleaned periodically. This will prevent water from collecting in the bottom of the Wine Cooler, instead of flowing down the defrost drainage channel and drain hole.
- o You can also pour a small amount of water down the drain hole to clean inside of it.
- o You should be careful to make sure that wine bottles do not touch the rear wall of the appliance, as this can interrupt the automatic defrosting process and deflect water into the base of your Wine Cooler.

■ MOVING YOUR WINE COOLER

If you need to move your Wine Cooler to another location you should follow the steps outlined below.

- o Remove all items from the Wine Cooler.
- o Securely tape down all loose items such as the shelves inside of the appliance.
- o Turn the adjustable foot up to the base to avoid damage.
- o Tape the door closed.
- o Ensure the appliance stays secure in the upright position during transportation. Also protect the outside of the appliance with a blanket or similar item.

■ POWER FAILURE

- If power is cut to the appliance, for a few hours it will be able to maintain the temperature inside the cabinet. Providing that the number of times that the door is opened is kept to a minimum.
- If the power cut is for longer than a few hours, then you will need to store the contents in an alternate location to prevent them being affected by temperature rise.

IMPORTANT: If the appliance is unplugged, the power is lost or turned off you must wait 5 minutes before restarting the Wine Cooler. If you attempt to restart before this time delay, the compressor could be damaged.

■ VACATION TIME

Short vacations: Leave the Wine Cooler in operation for holidays of less than 3 weeks.

Long vacations:

- If your appliance is not going to be in use for a period of time, you should remove the bottles of wine and switch off the appliance
- The interior should be cleaned with a solution of bicarbonate of soda and lukewarm water.
- The interior should then be thoroughly dried.
- To prevent mould growth, the door should be left slightly ajar.

■ DISCONNECTING FROM POWER

- If the unit is unplugged, or there is a power cut, you must wait for 5 minutes before restarting. Attempting to restart the Wine Cooler before 5 minutes has elapsed, may cause it not to function.

TROUBLESHOOTING

If you feel the appliance is not working properly, follow these instructions to try to see if you can solve the problem simply by yourself before calling for service.

No.	PROBLEM	PROBLEM POSSIBLE CAUSE / MEASURE
1	The wine cooler does not operate	Not plugged in. The appliance is turned off. The circuit breaker tripped or a blown fuse.
2	The wine cooler is not cold enough	Check the temperature control setting. External environment may require a higher setting. The door is opened too frequently. The door is not closed completely. The door gasket does not seal properly.
3	Automatically turn-on and turn-off frequently	The room temperature is hotter than normal. A large amount of contents has been added to the wine cooler. The door is opened too frequently. The door is not closed completely. The temperature control is not set correctly. The door gasket does not seal properly.
4	The lighting does not work	Not plugged in. The circuit breaker tripped or a blown fuse. The lighting is turned off. Contact a service center for repairs and replacements.
5	Too much vibration	Check to assure that the appliance is level. Check to assure no parts inside the cabinet or in the compressor chamber are loose.
6	The wine cooler seems to make too much noise	The rattling noise may come from the flow of the refrigerant, which is normal. As each cycle ends, you may hear gurgling sounds caused by the flow of refrigerant. Contraction and expansion of the inside walls may cause popping and crackling noises. The appliance is not level.
7	The door will not close properly.	The wine cooler is not level. The door was reversed and not properly installed. The gasket is dirty. The shelves are out of position.
8	The display window is shown with "HH" or "LL" instead of a digital figure, and/or with continuous buzz sound.	The temperature probe is out of order

REVERSE THE DOOR SWING

Remarks:

- The following operations are available for a model with control in cabinet only and with Right Door Hinge installed.
- All removed parts must be saved in order to do the door reinstallation.

■ FOR PW 38 GDFB CONTROL IN CABINET

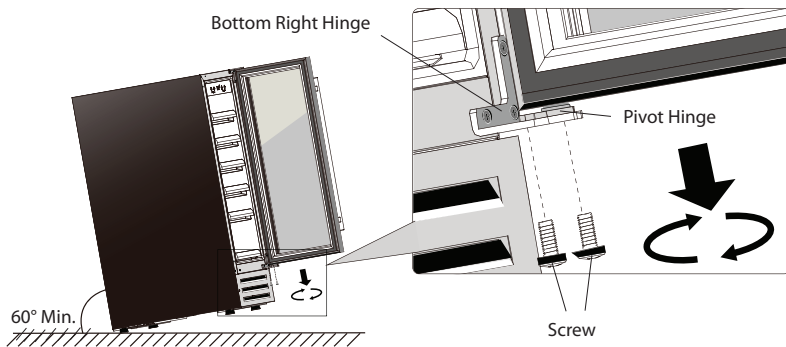
- The unit is with Left and Right door, it is no need to do door reversal.

■ FOR PW 17 GDFB / PW 32 GD / PW 46 GDFB CONTROL IN CABINET

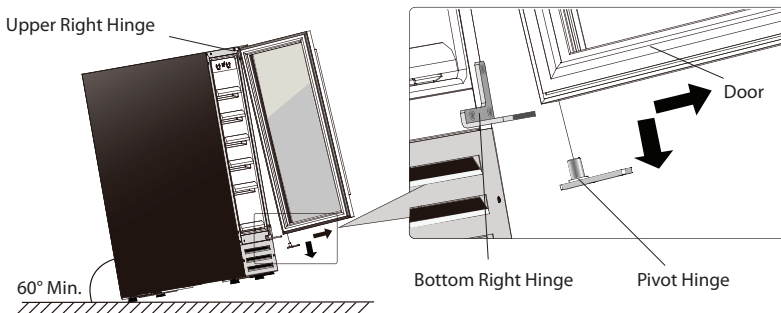
Remarks:

- To reverse the door from right hinge to left hinge, you need to get ready 2 new spare parts: an **Upper Left Hinge**, and a **Bottom Left Hinge**.
- All removed parts is suggested to be saved in case of door re-reversal.

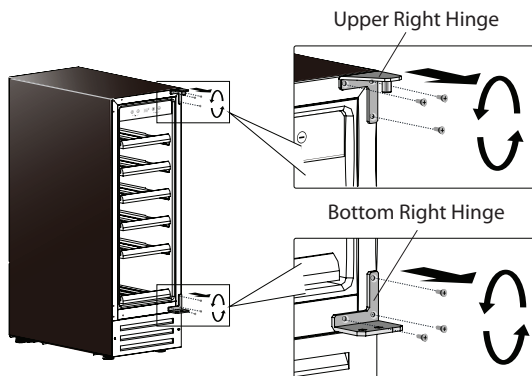
1. Open the door, and loosen the 2 screws from Pivot Hinge of the Bottom Right Hinge.



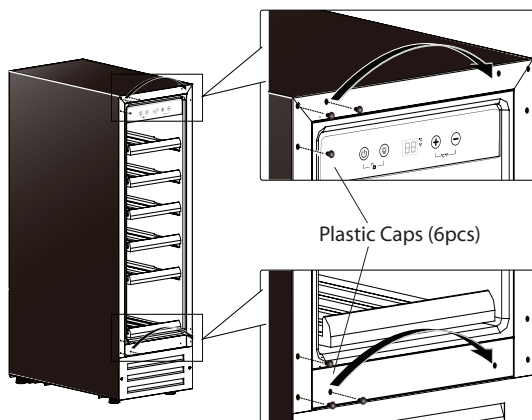
2. Carefully remove the door from the Upper Right Hinge and prevent it from scratching. Take out the Pivot Hinge from the door hinge hole.



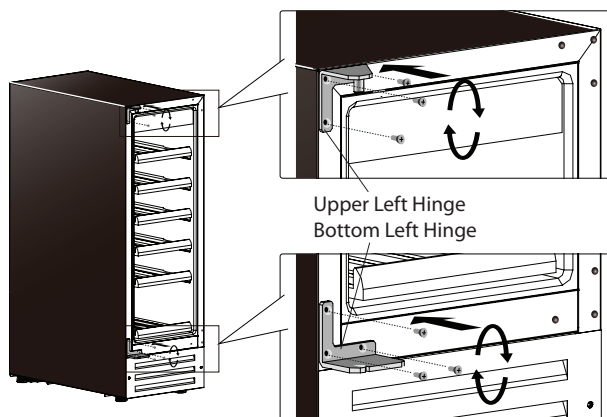
- 3.** Unscrew the Upper Right Hinge and Bottom Right Hinge from the cabinet. Keep them well for door re-installation.



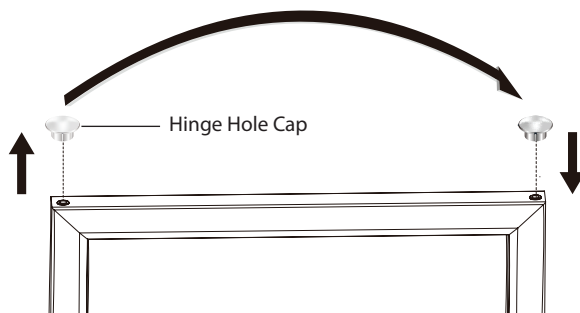
- 4.** Pull out the 6 Plastic Caps at the front left corner of the cabinet. And move them all to the right side.



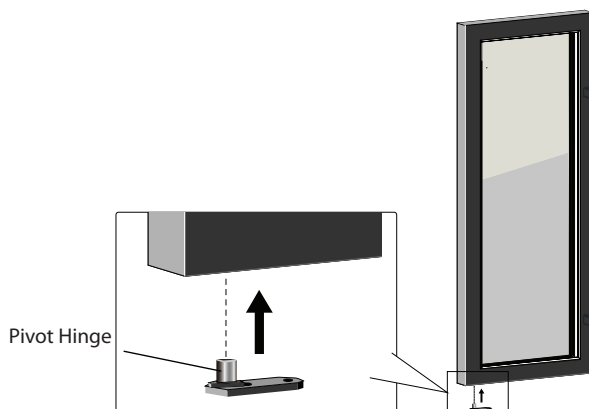
5. Install the Upper Left Hinge and Bottom Left Hinge to the left side of the cabinet. Make sure the screws are tightened.



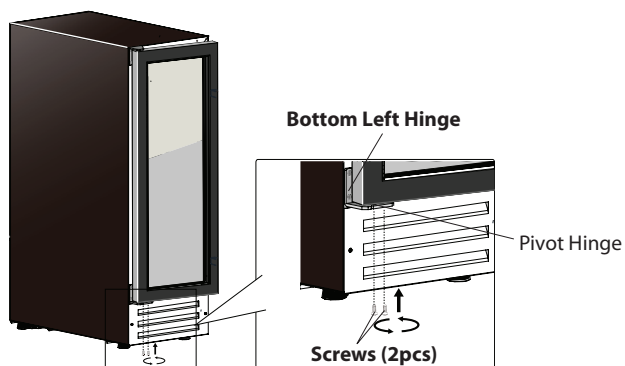
6. Move the Hinge Hole Cap (at the top of the door) from the left side to the right side.



7. Insert the Pivot Hinge into the bottom hinge hole of the door.




8. Install the door to the left hinge side by tightening the Pivot Hinge with the 2 screws.

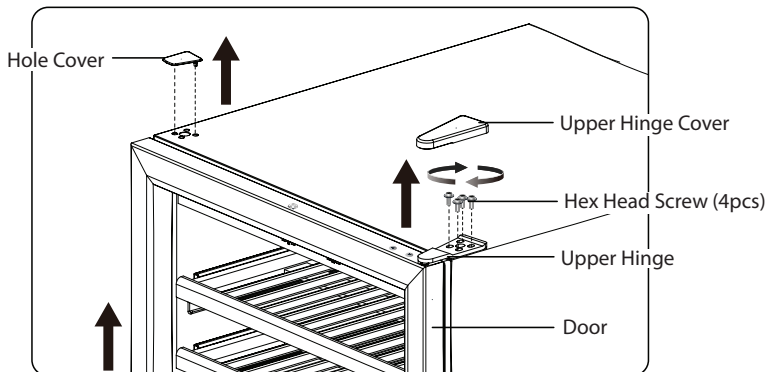


■ FOR PW 166 GD CONTROL IN CABINET

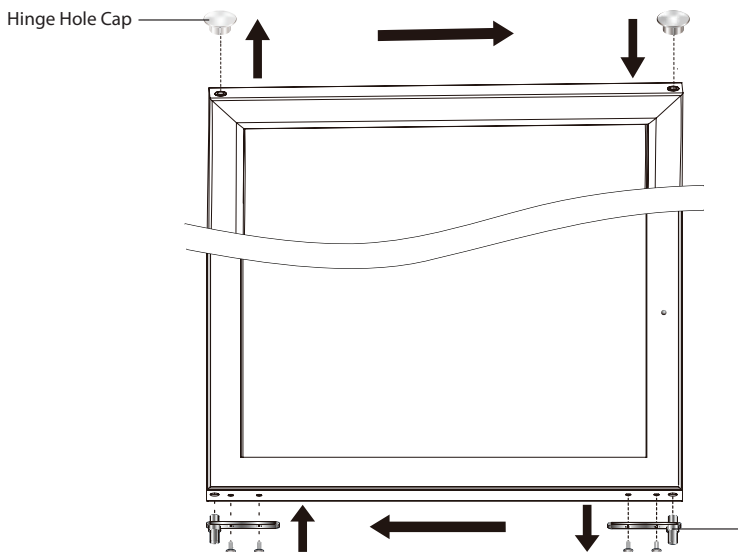
IMPORTANT INFORMATION

We recommend that you secure the racks in place using adhesive tape to prevent causing damage when handling the appliance and store all removed parts carefully.

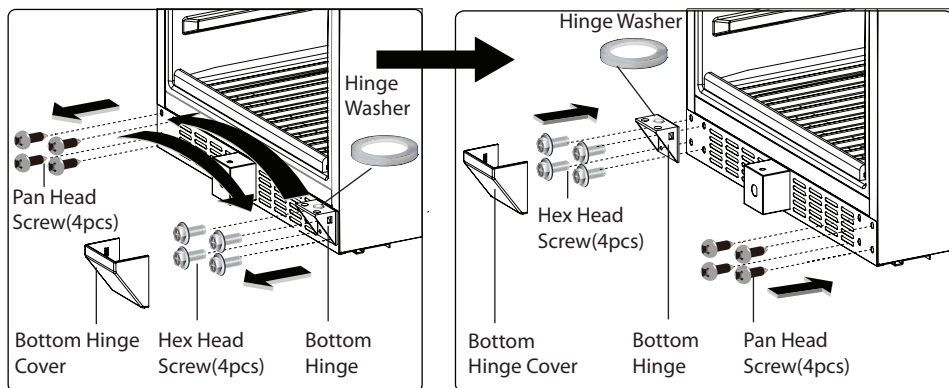
1. Remove the Hole Cover and Upper Hinge Cover on top side using a flat-head screwdriver. Remove the Upper Hinge by unscrewing the Hex Head Screws (4pcs). Now carefully lift the Door off the Bottom Hinge with your assistant and gently set it aside. It is important to keep the Hinge Washer  on the top of Bottom Hinge for re-installation.



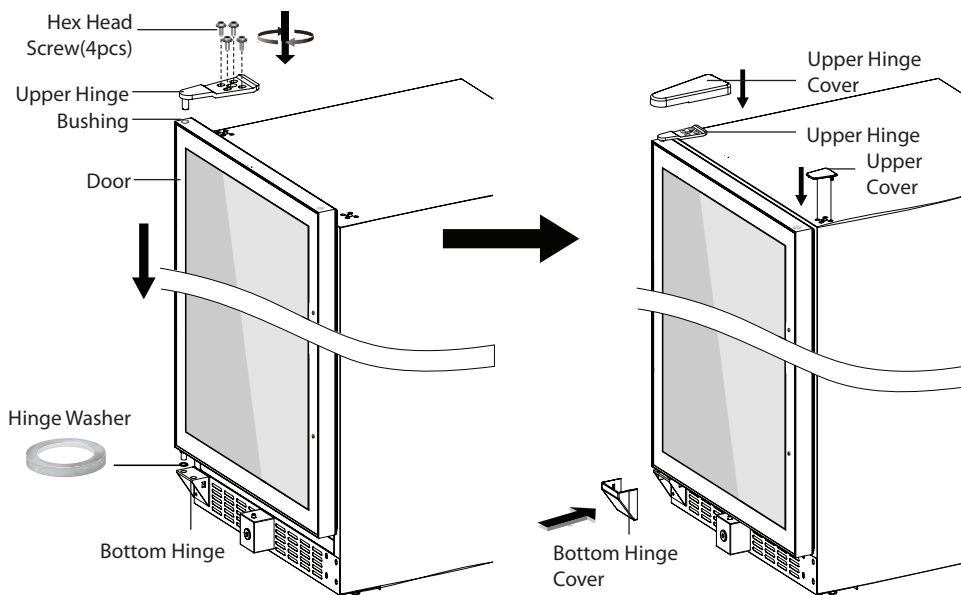
2. Remove the Hole Cover and Upper Hinge Cover on top side using a flat-head screwdriver. Remove the



- 3.** Remove the Bottom Hinge Cover by prying it off gently with small flat screwdriver. Remove the Bottom Hinge by unscrewing the Hex Head Screw (4pcs). Unscrew the Pan Head Screw (4pcs) from bottom left side. Now move the Bottom Hinge to the bottom left side and screw it tightly with the Hex Head Screws (4pcs). Move the Pan Head Screw (4pcs) to the bottom right side and screw it.



- 4.** Hold the Door carefully with your assistant and place it on the top of Bottom Hinge, make sure the Pivot Hinge is at correct place through the Hinge Washer. Insert the pin of the Upper Hinge into the Bushing on the top right and fix it with Hex Head Screw (4pcs). Cover the Upper Hinge and Bottom Hinge with Upper Hinge Cover and Bottom Hinge Cover. Cover hinge screw holes on the top right with the Hole Cover.



PRODUCT INFORMATION SHEET

Product Information Sheet

PHILCO 

COMMISSION DELEGATED REGULATION (EU) 2019/2016

Supplier's name or trademark: PHILCO

Supplier's address: PHILCO, FAST ČR, a.s. U Sanitasu 1621 Říčany 251 01, Czech Republic

Model identifier: PW 17 GDFB

Type of refrigerating appliance:

Low-noise appliance:	No	Design type:	freestanding
Wine storage appliance:	Yes	Other refrigerating appliance:	No

General product parameters:

Parameter	Value	Parameter	Value
Overall dimensions (millimetre)	Height	Total volume (dm ³ or l)	54
	Width		
	Depth		
Energy efficiency Index (EEL)	171	Energy efficiency class*	G
Airborne acoustical noise emissions (dB(A) re 1 pW)	39	Airborne acoustical noise emission class	C
Annual energy consumption (kWh/a)	135	Climate class:	temperate, subtropical
Minimum ambient temperature (°C), for which the refrigerating appliance is suitable	16	Maximum ambient temperature (°C), for which the refrigerating appliance is suitable	38
Winter setting	No		

Compartment Parameters:

Compartment type	Compartment parameters and values				
	Compartment volume (dm ³ or l)	Recommended temperature setting for optimised food storage (°C) These settings shall not contradict the storage conditions set out in Annex IV, Table 3	Freezing capacity (kg/24h)	Defrosting type (auto-defrost=A, manual defrost=M)	
Pantry	No	-	-	-	-
Wine storage	Yes	54	-	-	A
Cellar	No	-	-	-	-

Fresh food	No	-	-	-	-
Chill	No	-	-	-	-
0-star or ice-making	No	-	-	-	-
1-star	No	-	-	-	-
2-star	No	-	-	-	-
3-star	No	-	-	-	-
4-star	No	-	-	-	-
2-star section	No	-	-	-	-
Variable temperature compartment	-	-	-	-	-
Light source parameters:					
Type of light source	LED				
Energy efficiency class	-				
Minimum duration of the guarantee offered by the manufacturer: 24 months					
Additional information:					
Weblink to the manufacturer's website, where the information in point4(a) Annex of Commission Regulation (EU) 2019/2019 is found: https://www.fastcr.cz/					

* A (highest efficiency) to G (lowest efficiency)

Product Information Sheet



COMMISSION DELEGATED REGULATION (EU) 2019/2016

Supplier's name or trademark: PHILCO

Supplier's address: PHILCO, FAST ČR, a.s. U Sanitasu 1621 Říčany 251 01, Czech Republic

Model identifier: PW 32 GD

Type of refrigerating appliance:

Low-noise appliance:	No	Design type:	freestanding
Wine storage appliance:	Yes	Other refrigerating appliance:	No

General product parameters:

Parameter	Value	Parameter	Value
Overall dimensions (millimetre)	Height	Total volume (dm ³ or l)	85
	Width		
	Depth		
Energy efficiency Index (EEL)	171	Energy efficiency class*	G
Airborne acoustical noise emissions (dB(A) re 1 pW)	39	Airborne acoustical noise emission class	C
Annual energy consumption (kWh/a)	139	Climate class:	temperate, subtropical
Minimum ambient temperature (°C), for which the refrigerating appliance is suitable	16	Maximum ambient temperature (°C), for which the refrigerating appliance is suitable	38
Winter setting	No		

Compartment Parameters:

Compartment type		Compartment parameters and values			
		Compartment volume (dm ³ or l)	Recommended temperature setting for optimised food storage (°C) These settings shall not contradict the storage conditions set out in Annex IV, Table 3	Freezing capacity (kg/24h)	Defrosting type (auto-defrost=A, manual defrost=M)
Pantry	No	-	-	-	-
Wine storage	Yes	85	12	-	A
Cellar	No	-	-	-	-

Fresh food	No	-	-	-	-
Chill	No	-	-	-	-
0-star or ice-making	No	-	-	-	-
1-star	No	-	-	-	-
2-star	No	-	-	-	-
3-star	No	-	-	-	-
4-star	No	-	-	-	-
2-star section	No	-	-	-	-
Variable temperature compartment	-	-	-	-	-
Light source parameters:					
Type of light source	LED				
Energy efficiency class	-				
Minimum duration of the guarantee offered by the manufacturer: 24 months					
Additional information:					
Weblink to the manufacturer's website, where the information in point4(a) Annex of Commission Regulation (EU) 2019/2019 is found: https://www.fastcr.cz/					

* A (highest efficiency) to G (lowest efficiency)

Product Information Sheet



COMMISSION DELEGATED REGULATION (EU) 2019/2016

Supplier's name or trademark: PHILCO

Supplier's address: PHILCO, FAST ČR, a.s. U Sanitasu 1621 Říčany 251 01, Czech Republic

Model identifier: PW 38 GDFB

Type of refrigerating appliance:

Low-noise appliance:	No	Design type:	freestanding
Wine storage appliance:	Yes	Other refrigerating appliance:	No

General product parameters:

Parameter	Value	Parameter	Value
Overall dimensions (millimetre)	Height	Total volume (dm ³ or l)	116
	Width		
	Depth		
Energy efficiency Index (EEL)	170	Energy efficiency class*	G
Airborne acoustical noise emissions (dB(A) re 1 pW)	40	Airborne acoustical noise emission class	C
Annual energy consumption (kWh/a)	142	Climate class:	temperate, subtropical
Minimum ambient temperature (°C), for which the refrigerating appliance is suitable	16	Maximum ambient temperature (°C), for which the refrigerating appliance is suitable	38
Winter setting	No		

Compartment Parameters:

Compartment type		Compartment parameters and values			
		Compartment volume (dm ³ or l)	Recommended temperature setting for optimised food storage (°C) These settings shall not contradict the storage conditions set out in Annex IV, Table 3	Freezing capacity (kg/24h)	Defrosting type (auto-defrost=A, manual defrost=M)
Pantry	No	-	-	-	-
Wine storage	Yes	116	-	-	A
Cellar	No	-	-	-	-

Fresh food	No	-	-	-	-
Chill	No	-	-	-	-
0-star or ice-making	No	-	-	-	-
1-star	No	-	-	-	-
2-star	No	-	-	-	-
3-star	No	-	-	-	-
4-star	No	-	-	-	-
2-star section	No	-	-	-	-
Variable temperature compartment	-	-	-	-	-
Light source parameters:					
Type of light source	LED				
Energy efficiency class	-				
Minimum duration of the guarantee offered by the manufacturer: 24 months					
Additional information:					
Weblink to the manufacturer's website, where the information in point4(a) Annex of Commission Regulation (EU) 2019/2019 is found: https://www.fastcr.cz/					

* A (highest efficiency) to G (lowest efficiency)

Product Information Sheet



COMMISSION DELEGATED REGULATION (EU) 2019/2016

Supplier's name or trademark: PHILCO

Supplier's address: PHILCO, FAST ČR, a.s. U Sanitasu 1621 Říčany 251 01, Czech Republic

Model identifier: PW 46 GDFB

Type of refrigerating appliance:

Low-noise appliance:	No	Design type:	freestanding
Wine storage appliance:	Yes	Other refrigerating appliance:	No

General product parameters:

Parameter	Value	Parameter	Value
Overall dimensions (millimetre)	Height	Total volume (dm ³ or l)	135
	Width		
	Depth		
Energy efficiency Index (EEL)	181	Energy efficiency class*	G
Airborne acoustical noise emissions (dB(A) re 1 pW)	40	Airborne acoustical noise emission class	C
Annual energy consumption (kWh/a)	156	Climate class:	temperate, subtropical
Minimum ambient temperature (°C), for which the refrigerating appliance is suitable	16	Maximum ambient temperature (°C), for which the refrigerating appliance is suitable	38
Winter setting	No		

Compartment Parameters:

Compartment type		Compartment parameters and values			
		Compartment volume (dm ³ or l)	Recommended temperature setting for optimised food storage (°C) These settings shall not contradict the storage conditions set out in Annex IV, Table 3	Freezing capacity (kg/24h)	Defrosting type (auto-defrost=A, manual defrost=M)
Pantry	No	-	-	-	-
Wine storage	Yes	135	-	-	A
Cellar	No	-	-	-	-

Fresh food	No	-	-	-	-
Chill	No	-	-	-	-
0-star or ice-making	No	-	-	-	-
1-star	No	-	-	-	-
2-star	No	-	-	-	-
3-star	No	-	-	-	-
4-star	No	-	-	-	-
2-star section	No	-	-	-	-
Variable temperature compartment	-	-	-	-	-
Light source parameters:					
Type of light source	LED				
Energy efficiency class	-				
Minimum duration of the guarantee offered by the manufacturer: 24 months					
Additional information:					
Weblink to the manufacturer's website, where the information in point4(a) Annex of Commission Regulation (EU) 2019/2019 is found: https://www.fastcr.cz/					

* A (highest efficiency) to G (lowest efficiency)

Product Information Sheet



COMMISSION DELEGATED REGULATION (EU) 2019/2016

Supplier's name or trademark: PHILCO

Supplier's address: PHILCO, FAST ČR, a.s. U Sanitasu 1621 Říčany 251 01, Czech Republic

Model identifier: PW 166 GD

Type of refrigerating appliance:

Low-noise appliance:	No	Design type:	freestanding
Wine storage appliance:	Yes	Other refrigerating appliance:	No

General product parameters:

Parameter	Value	Parameter	Value
Overall dimensions (millimetre)	Height	Total volume (dm ³ or l)	418
	Width		
	Depth		
Energy efficiency Index (EEL)	182	Energy efficiency class*	G
Airborne acoustical noise emissions (dB(A) re 1 pW)	40	Airborne acoustical noise emission class	C
Annual energy consumption (kWh/a)	192	Climate class:	temperate
Minimum ambient temperature (°C), for which the refrigerating appliance is suitable	16	Maximum ambient temperature (°C), for which the refrigerating appliance is suitable	32
Winter setting	No		

Compartment Parameters:

Compartment type	Compartment parameters and values				
	Compartment volume (dm ³ or l)	Recommended temperature setting for optimised food storage (°C) These settings shall not contradict the storage conditions set out in Annex IV, Table 3	Freezing capacity (kg/24h)	Defrosting type (auto-defrost=A, manual defrost=M)	
Pantry	No	-	-	-	-
Wine storage	Yes	418	-	-	A
Cellar	No	-	-	-	-

Fresh food	No	-	-	-	-
Chill	No	-	-	-	-
0-star or ice-making	No	-	-	-	-
1-star	No	-	-	-	-
2-star	No	-	-	-	-
3-star	No	-	-	-	-
4-star	No	-	-	-	-
2-star section	No	-	-	-	-
Variable temperature compartment	-	-	-	-	-
Light source parameters:					
Type of light source	LED				
Energy efficiency class	-				
Minimum duration of the guarantee offered by the manufacturer: 24 months					
Additional information:					
Weblink to the manufacturer's website, where the information in point4(a) Annex of Commission Regulation (EU) 2019/2019 is found: https://www.fastcr.cz/					

* A (highest efficiency) to G (lowest efficiency)

TECHNICAL INFORMATION

Technical information can be found on the type plate on the inside of the appliance and on the energy label. The QR code, on the supplied energy label, contains a link to register the appliance in the EU Eprel database. Keep the energy label, the instructions for use, together with other documents supplied with the device.

TESTING INFORMATION

The delivered device is in accordance with EcoDesign and EN62552-1/-2/-3:2020, EN 60704-1:2010 +A11:2012, EN 60704-2-14:2013+A11:2015+A1:2019. Air access requirements for proper operation of the device, the minimum distance from the wall and the dimensions of the device are part of this manual. If you have any further questions, please contact the manufacturer.

CUSTOMER CARE AND SERVICE

Always use original spare parts.

Model name and serial number can be found on the rating plate. Position of rating plate can be changed without notice.

The original spare parts for some specific components are available for a minimum of 7 or 10 years, based on the type of component, from the placing on the market of the last unit of the model.

When contacting our authorized service, have the model designation, serial number and defect description available.

To download documents, visit www.philco.cz.

To report a defect and obtain additional service information, visit <https://philco.cz/podpora-a-servis>.

Subject to change without notice.

INSTRUCTIONS AND INFORMATION REGARDING THE DISPOSAL OF USED PACKAGING MATERIALS

Dispose of packaging material at a public waste disposal site.

DISPOSAL OF USED ELECTRICAL AND ELECTRONIC APPLIANCES



The meaning of the symbol on the product, its accessory or packaging indicates that this product shall not be treated as household waste. Please, dispose of this product at your applicable collection point for the recycling of electrical & electronic equipment waste. Alternatively in some states of the European Union or other European states you may return your products to your local retailer when buying an equivalent new product. The correct disposal of this product will help save valuable natural resources and help in preventing the potential negative impact on the environment and human health, which could be caused as a result of improper liquidation of waste. Please ask your local authorities or the nearest waste collection centre for further details. The improper disposal of this type of waste may fall subject to national regulations for fi nes.

For business entities in the European Union

If you wish to dispose of an electrical or electronic device, request the necessary information from your seller or supplier.

Disposal in other countries outside the European Union

If you wish to dispose of this product, request the necessary information about the correct disposal method from local government departments or from your seller.



This product meets all the basic EU regulation requirements that relate to it.

Changes to the text, design and technical specifications may occur without prior notice and we reserve the right to make these changes.

Original of this user manual is Czech.



WARNING! DURING USING, SERVICE AND DISPOSAL THE APPLIANCE, PLEASE PAY ATTENTION TO SYMBOL SIMILAR AS LEFT SIDE, WHICH IS LOCATED ON REAR OF APPLIANCE (REAR PANEL OR COMPRESSOR) AND WITH YELLOW OR ORANGE COLOR.



IT'S RISK OF RE WARNING SYMBOL. THERE ARE FLAMMABLE MATERIALS IN REFRIGERANT PIPES AND COMPRESSOR. PLEASE BE FAR AWAY RE SOURCE DURING USING, SERVICE AND DISPOSAL.

Vinotéka

NÁVOD K OBSLUZE

PHILCO



Famous for Quality the World Over

PW 17 GDFB

PW 32 GD

PW 38 GDFB

PW 46 GDFB

PW 166 GD

Děkujeme, že jste si vybrali tento výrobek.

Před požíváním své nové chladničky si prosím přečtěte tento návod k obsluze, abyste z ní získali co největší užitek.

OBSAH

BEZPEČNOSTNÍ POKYNY	3
POPIS SPOTŘEBIČE A JEHO INSTALACE	7
INSTALACE PŘÍSLUŠENSTVÍ PŘED POUŽITÍM PRODUKTU	12
OBSLUHA VINOTÉKY	13
PÉČE A ÚDRŽBA	20
ŘEŠENÍ PROBLÉMŮ	23
ZMĚNA SMĚRU OTEVÍRÁNÍ DVÍŘEK	24
INFORMAČNÍ LIST	30



Zařízení bylo testováno podle platných směrnic Evropské unie. Zařízení vyhovuje bezpečnostním ustanovením platným pro elektrické spotřebiče v Evropské unii.

VÁŽENÝ ZÁKAZNÍKU:

Děkujeme Vám za koupi této chladničky. Abyste při používání této chladničky dosáhli nejlepších výsledků, přečtěte si tento návod k obsluze.

Ujistěte se, že obalový materiál je zlikvidován v souladu s aktuálními environmentálními požadavky.

Při likvidaci jakéhokoliv chladicího zařízení kontaktujte místní úřad pro likvidaci odpadu, kde vám budou poskytnuty informace o bezpečné likvidaci.

Tento spotřebič je možné používat pouze k určenému účelu.

POZOR:

Spotřebič nesmějí používat malé děti nebo starší osoby bez dozoru. Na malé děti byste měli dohlížet, aby si spotřebičem nehrály.

BEZPEČNOSTNÍ POKYNY

TENTO SPOTŘEBIČ MOHOU POUŽÍVAT DĚTI VE VĚKU 8 LET A STARŠÍ A OSOBY SE SNÍŽENÝMI FYZICKÝMI, SMYSLOVÝMI NEBO MENTÁLNÍMI SCHOPNOSTMI NEBO S NEDOSTATKEM ZKUŠENOSTÍ A ZNALOSTÍ, POKUD JSOU POD DOZOREM NEBO BYLY POUČENY O POUŽÍVÁNÍ SPOTŘEBIČE BEZPEČNÝM ZPŮSOBEM A ROZUMÍ PŘÍPADNÝM NEBEZPEČÍM.

DĚTI SI SE SPOTŘEBIČEM NESMĚJÍ HRÁT. ČIŠTĚNÍ A ÚDRŽBU NESMĚJÍ PROVÁDĚT DĚTI BEZ DOZORU. DĚTI VE VĚKU 3 AŽ 8 LET MOHOU VKLÁDAT A VYJÍMAT POTRAVINY Z CHLADICÍCH SPOTŘEBIČŮ.

POKUD JE PŘÍVODNÍ KABEL POŠKOZEN, JEHO VÝMĚNU SVĚŘTE ODBORNÉMU SERVISNÍMU STŘEDISKU, ABY SE ZABRÁNILO VZNIKU NEBEZPEČNÉ SITUACE. SPOTŘEBIČ S POŠKOZENÝM PŘÍVODNÍM KABLEM JE ZAKÁZÁNO POUŽÍVAT.



VÝROBNÍKY LEDU, KTERÉ NEJSOU URČENY PRO PŘIPOJENÍ K PŘÍVODU VODY PLŇTE POUZE PITNOU VODOU.



VĚTRACÍ OTVORY V KRYTU SPOTŘEBIČE NEBO V JEHO KONSTRUKCI JE NUTNO UDRŽOVAT VOLNÉ.



K URYCHLENÍ ODMRAZOVACÍHO PROCESU NEPOUŽÍVAT MECHANICKÁ ZAŘÍZENÍ NEBO JINÉ PROSTŘEDKY NEŽ TY, KTERÉ JSOU DOPORUČENY VÝROBCEM.



NEPOŠKOZOVAT CHLADICÍ OBVOD.



NEPOUŽÍVAT ELEKTRICKÉ SPOTŘEBIČE V PROSTORU PRO UCHOVÁVÁNÍ POTRAVIN SPOTŘEBIČE, POKUD SE NEJEDNÁ O TYPY DOPORUČENÉ VÝROBCEM.

NEUKLÁDAT V TOMTO SPOTŘEBIČI VÝBUŠNÉ LÁTKY TAKOVÉ, JAKO JSOU SPREJE S HOŘLAVÝM HNACÍM PLYNEM.

TENTO SPOTŘEBIČ JE URČEN PRO POUŽITÍ VÝHRADNĚ V DOMÁCNOSTI A NIKOLIV V PODOBNÝCH PROSTORECH, JAKO JSOU:

- KUCHYŇSKÉ KOUTY V OBCHODECH, KANCELÁŘÍCH A OSTATNÍCH PRACOVIŠTÍCH;
- SPOTŘEBIČE POUŽÍVANÉ HOSTY V HOTELÍCH, MOTELECH A JINÝCH OBYTNÝCH PROSTŘEDÍCH;
- SPOTŘEBIČE POUŽÍVANÉ V PODNICÍCH ZAJIŠŤUJÍCÍCH NOCLEH SE SNÍDANÍ;
- SPOTŘEBIČE POUŽÍVANÉ VE STRAVOVACÍCH A PODOBNÝCH NEPRODEJNÍCH PROSTŘEDÍCH.



VÝROBNÍKY LEDU URČENÉ PRO PŘIPOJENÍ K PŘÍVODU VODY PŘIPOJUJTE POUZE NA PŘÍVOD PITNÉ VODY.



SPOTŘEBIČ MUSÍ BÝT PŘIPEVNĚN PODLE NÁVODU, ABY SE ZABRÁNILO NEBEZPEČÍ ZPŮSOBENÝM JEHO NESTABILITOU.



ZNAČKA ISO 7000-1701 (2004-01) OZNAČUJE MÉDIUM POD TLAKEM.



NEBEZPEČÍ OHNĚ / HOŘLAVÉ MATERIÁLY!



CHLADICÍ SYSTÉM OBSAHUJE CHLADIVO POD VYSOKÝM TLAKEM. NEMANIPULUJTE SE SYSTÉMEM. MUSÍ BÝT OPRAVOVÁN POUZE KVALIFIKOVANOU OSOBOU.

R600A

OBSAHUJE CHLADICÍ PLYN IZOBUTAN, KTERÝ JE HOŘLAVÝ. BĚHEM PŘEPRAVY A INSTALACE SPOTŘEBIČE ZABRAŇTE POŠKOZENÍ KOMPONENT CHLADICÍHO OKRUHU.



PŘI UMÍSŤOVÁNÍ SPOTŘEBIČE SE MUSÍ ZAJISTIT, ABY NAPÁJECÍ PŘÍVOD NEBYL ZACHYCEN NEBO POŠKOZEN.



NEUMÍSŤOVAT VÍCENÁSOBNÉ PŘENOSNÉ ZÁSUVKY NEBO PŘENOSNÉ PRODLUŽOVACÍ PŘÍVODY NA ZADNÍ STRANU SPOTŘEBIČE.

OSTATNÍ DOPORUČENÍ/INSTALACE

ELEKTRICKÁ BEZPEČNOST:

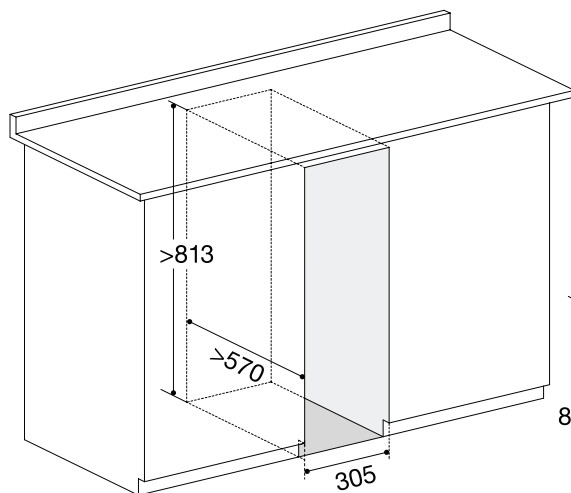
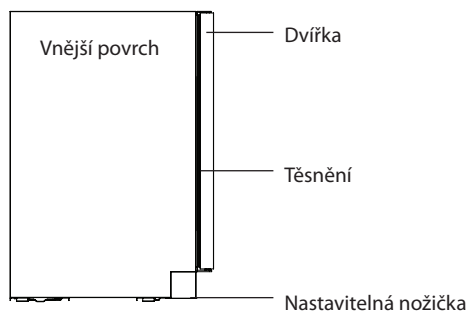
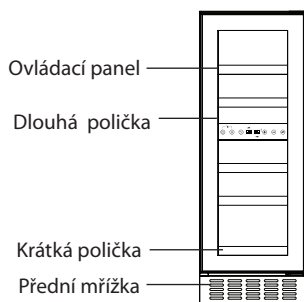
- NAPÁJECÍ KABEL NESMÍ BÝT PRODLUŽOVÁN.
- UJISTĚTE SE, ŽE ZÁSTRČKA NAPÁJECÍHO KABELU NENÍ POŠKOZENÁ, MOHLA BY SE PŘEHŘÍVAT A ZPŮSOBIT POŽÁR.
- PŘI UMISŤOVÁNÍ SPOTŘEBIČE SE MUSÍ ZAJISTIT, ABY NAPÁJECÍ KABEL NEBYL ZACHYCEN, NEBO POŠKOZEN.
- NEUMISŤUJTE VÍCENÁSOBNÉ PŘENOSNÉ ZÁSUVKY, NEBO PŘENOSNÉ PRODLUŽOVACÍ KABELY NA ZADNÍ STRANU SPOTŘEBIČE.
- SPOTŘEBIČ NESMÍ STÁT NA PŘÍVODNÍM KABELU.
- SPOTŘEBIČ NESMÍ BÝT UMÍSTĚN VE VLHKÉM PROSTŘEDÍ, PŘÍVODNÍ KABEL NESMÍ LEŽET VE VODĚ.
- UJISTĚTE SE, ŽE MÁTE VOLNÝ PŘÍSTUP K ZÁSTRČCE SPOTŘEBIČE.
- NETAHEJTE ZA NAPÁJECÍ KABEL.
- POKUD JE ELEKTRICKÁ ZÁSUVKA UVOLNĚNÁ, NEPŘIPOJUJTE K NÍ ZÁSTRČKU. HROZÍ RIZIKO ÚRAZU ELEKTRICKÝM PROUDEM, NEBO RIZIKO VZNIKU POŽÁRU.
- TENTO SPOTŘEBIČ NESMÍTE POUŽÍVAT BEZ KRYTU VNITŘNÍHO OSVĚTLENÍ.
- CHLADNIČKA JE URČENA POUZE NA NAPÁJENÍ Z JEDNÉ FÁZE STŘÍDAVÉHO PROUDU S HODNOTAMI 220 – 240V/50HZ. POKUD JE KOLÍSÁNÍ NAPĚTÍ V MÍSTĚ BYDLIŠTĚ UŽIVATELE TAK VELKÉ, ŽE PŘESAHUJE UVEDENÉ LIMITY, Z BEZPEČNOSTNÍCH DŮVODŮ POUŽIJTE PRO CHLADNIČKU AUTOMATICKÝ NAPĚŤOVÝ REGULÁTOR S VÍCE NEŽ 350W.
- ZÁSTRČKA MUSÍ ODPOVÍDAT ZÁSUVCE S UZEMŇOVACÍM KONTAKTEM.

POPIS SPOTŘEBIČE A JEHO INSTALACE

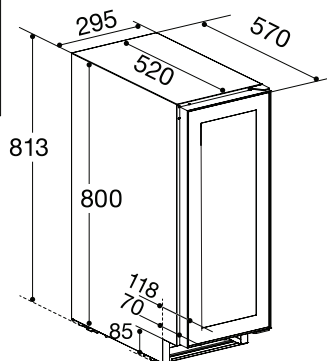
Následující obrázky zobrazují pouze popis spotřebiče. Rozměry a množství polic se mohou mezi modely stejné série lišit.

■ PW 17 GDFB S OVLÁDACÍMI PRVKY UVNITŘ

Duální zóna 17 láhví

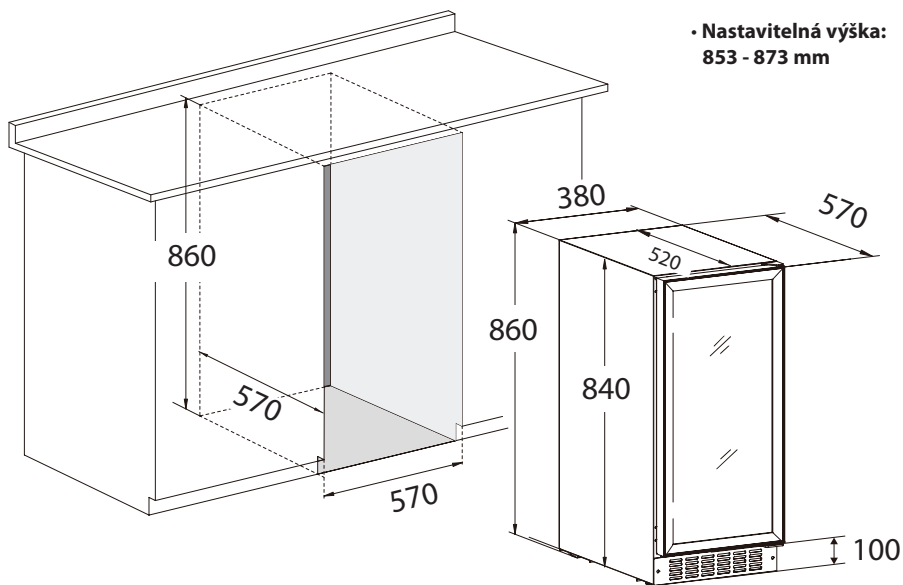
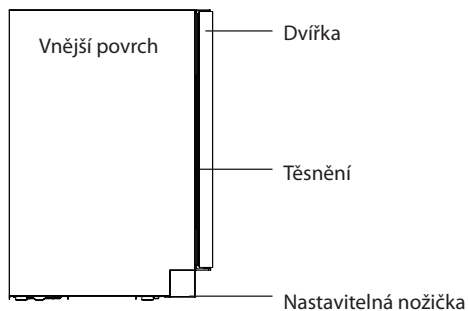
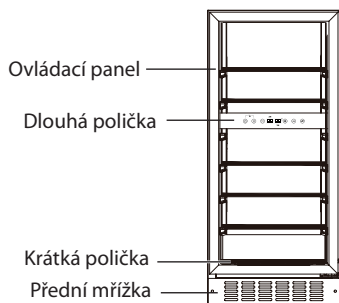


• Nastavitelná výška:
813 - 845 mm



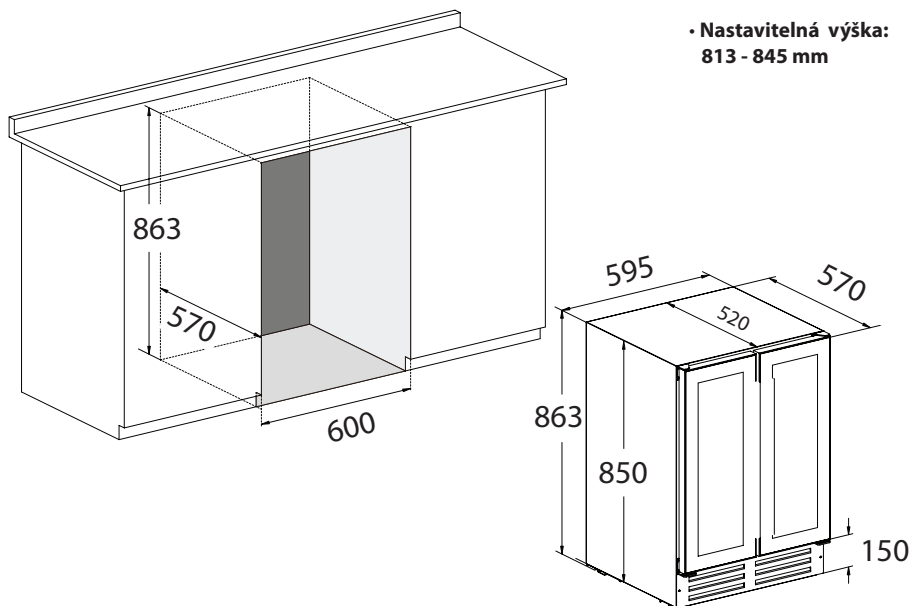
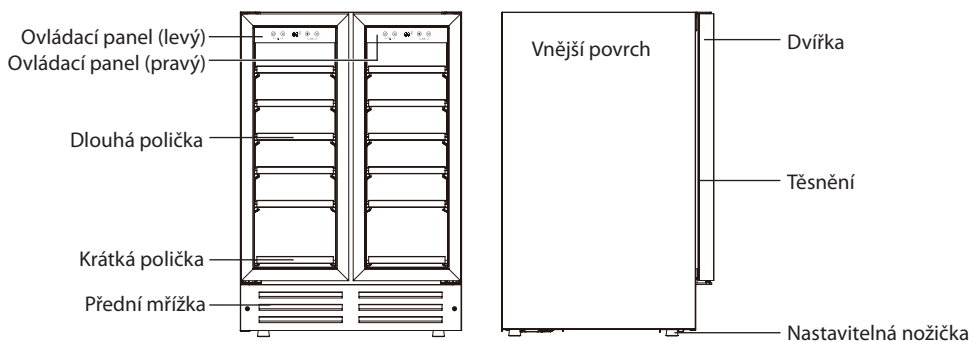
■ PW 32 GD S OVLÁDACÍMI PRVKY UVNITŘ

Duální zóna **32** láhví



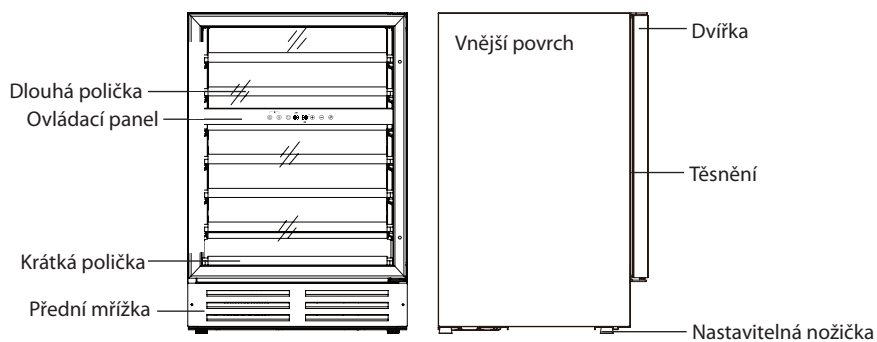
■ PW 38 GDFB S OVLÁDACÍMI PRVKY UVNITŘ

Duální zóna **38** láhví

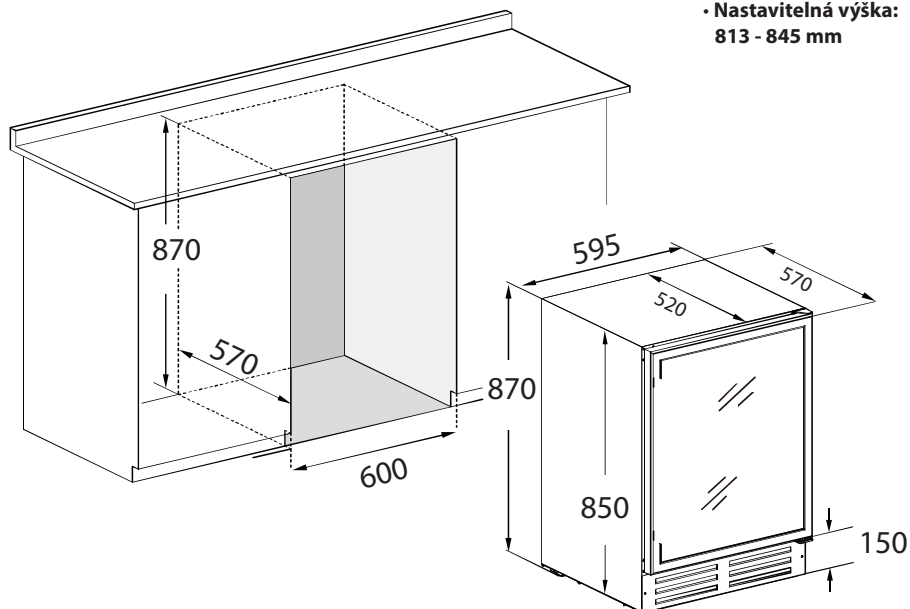


■ PW 46 GDFB S OVLÁDACÍMI PRVKY UVNITŘ – VÝŠKA: 86,3 CM

Duální zóna **46** láhví

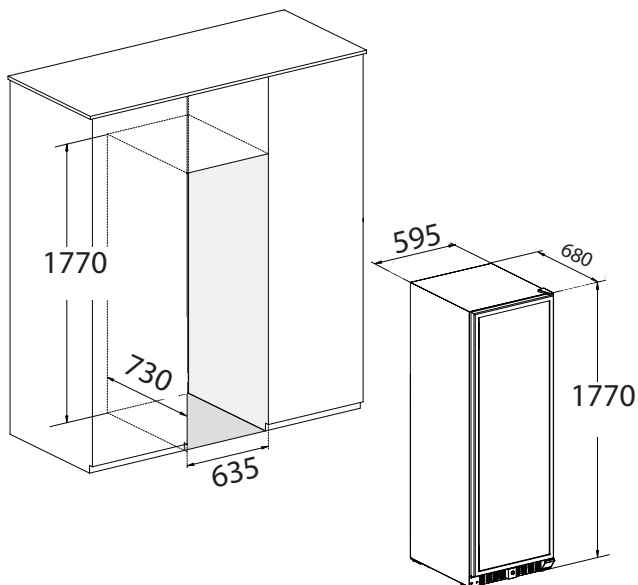
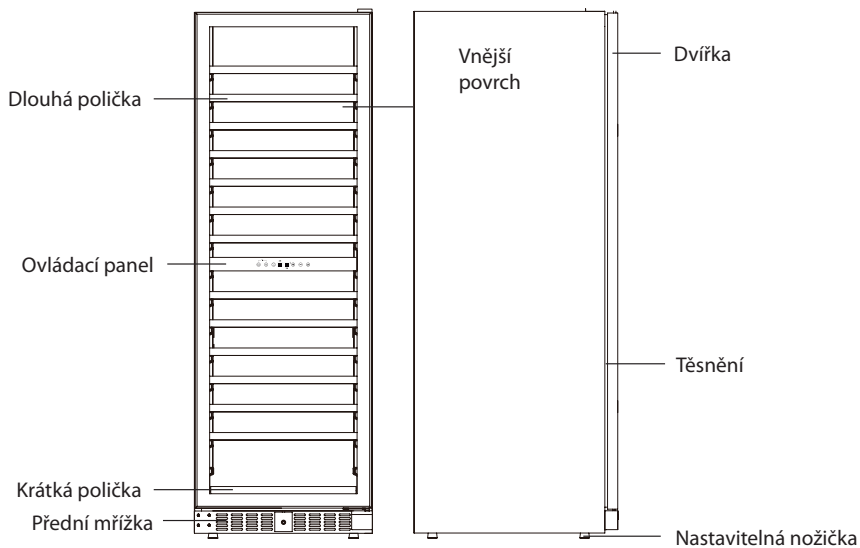


• **Nastavitelná výška:**
813 - 845 mm



■ PW 166 GD S OVLÁDACÍMI PRVKY UVNITŘ

Duální zóna **166** láhví



INSTALACE PŘÍSLUŠENSTVÍ PŘED POUŽITÍM PRODUKTU

■ VYBALENÍ A OČIŠTĚNÍ VINOTÉKY

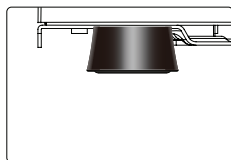
- Odstraňte vnější a vnitřní obalové materiály.
- Před připojením ke zdroji energie nechte tento spotřebič přibližně 24 hodin stát ve svislé poloze, aby se minimalizovalo nebezpečí poruchy chladicího systému z důvodu manipulace během přepravy.
- Pomocí jemného hadříku očistěte vnitřní povrch vlažnou vodou.

DŮLEŽITÉ: Přední mřížka na základně spotřebiče je určena na odvětrávání. Před tuto přední mřížku nepokládejte žádné předměty, jinak nemusí vinotéka fungovat správně.

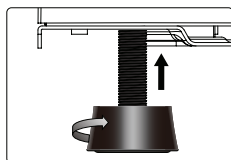
- K přední části větracích otvorů základny lze připevnit ozdobný podstavec – v tomto podstavci by se měl udělat výřez větší velikosti, než je přední žaluzie. Tento výřez je vyžadováno bez ohledu na to, zda je přední žaluzie odstraněna nebo ne.

■ NASTAVENÍ VÝŠKY A VYROVNÁNÍ VAŠÍ VINOTÉKY

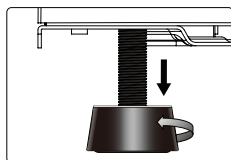
- Tento spotřebič je vybaven nastavitelnými nožičkami, takže jeho výšku lze nastavit tak, aby byla skříňka na nerovných podlahách vyrovnaná.
- Doporučujeme, aby tuto operaci prováděly dvě osoby.
- Výšku je třeba nastavit před vestavbou spotřebiče do linky a tato výška by měla být nastavena tak, aby se horní panel spotřebiče přesně vešel pod pracovní plochu kuchyňské linky.



- Nakloňte spotřebič o přibližně 60° k získání přístupu k nastavitelným nožičkám
- Zajistěte, aby byl spotřebič neustále podpírán.



- Zašroubujte nožičku do vhodné polohy na vyrovnaní skříňky.



- Opakujte tyto kroky u dalších nastavitelných nožiček.

DŮLEŽITÉ: Pokud není spotřebič vyrovnaný, může to mít negativní vliv na dvířka a těsnění dvířek.

DŮLEŽITÉ: Nepřemisťujte spotřebič, jehož nožičky jsou vysoce vysunuté.

■ ODEMKNUTÍ A ZAMKNUTÍ DVEŘÍ (VOLITELNÁ MOŽNOST)

- Uzamknutí je volitelnou funkcí. Pokud je vaše vinotéka touto funkcí vybavena, měli byste v balení tohoto návodu najít klíč.
- Vložte klíč do zámku a otočte ho proti směru hodinových ručiček na odemknutí dvířek. Na uzamknutí ho otočte ve směru hodinových ručiček. Klíč si dobře uschovejte.

OBSLUHA VINOTÉKY

■ KLIMATICKÁ TŘÍDA

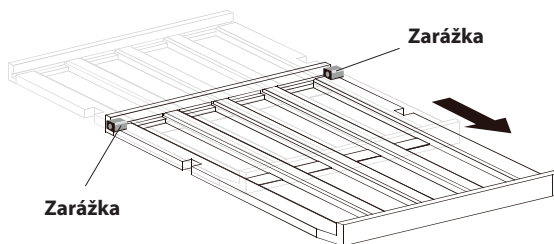
- Tento spotřebič je navržen pro provoz v klimatické třídě SN až N (viz tabulka níže klimatických tříd). Doporučujeme vám, abyste udržovali teplotu okolí 22–25 °C, při níž má spotřebič nízkou spotřebu energie.

Klimatická třída	Teplota v místnosti
SN	10 - 32 °C (50 °F - 90 °F)
N	16 - 32 °C (61 °F - 90 °F)
ST	16 - 38 °C (64,4 °F - 100 °F)
T	16 - 43 °C (64,4 °F - 109 °F)

- Pokud je teplota okolí nižší nebo vyšší, než je navržený klimatický rozsah, může to mít vliv na výkon spotřebiče. Například při provozu spotřebiče v extrémně chladném nebo teplém prostředí může docházet ke kolísání teplot a v některých případech nemusí být možné dosáhnout teploty 5-22 °C.

■ SKLADOVÁNÍ VÍNA

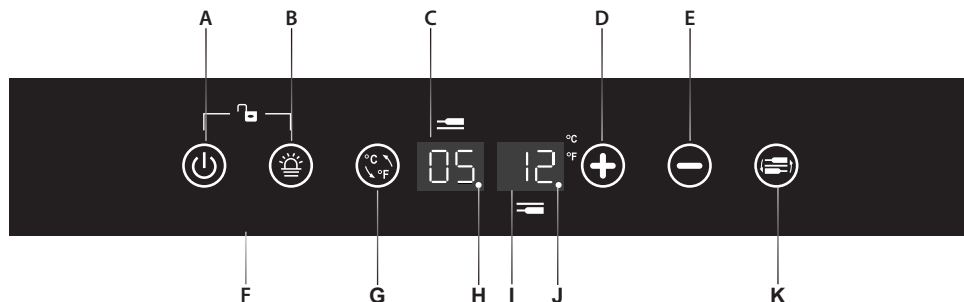
- Standardní poličky jsou navrženy na perfektní skladování láhví Bordeaux. Maximální počet vložených láhví se může lišit podle různých velikostí a rozměrů skladovaných láhví s vínem.
- Poličky je možné vytáhnout o přibližně 1/3 délky, aby byl usnadněn přístup k uskladněnému vínu.



- Aby nedošlo k poškození dveřního těsnění, zajistěte, aby byly před vytažením poliček zcela otevřené dvířka.
- Víno prosím skladujte v uzavřených láhvích.
- Nezakrývejte poličky hliníkovou fólií nebo jiným podobným materiálem, který by mohl bránit cirkulaci vzduchu.
- Pokud bude vinotéka delší dobu prázdná, doporučujeme, abyste spotřebiči odpojili a po pečlivém vyčištění ponechali dvířka pootevřená, aby uvnitř vinotéky mohl cirkulovat vzduch. Zabráníte tak případné kondenzaci, tvorbě plísní nebo zápachu.
- Doporučené teploty pro chlazení / skladování vašich vín.

Typ vína	Doporučená teplota
Červená vína	15 - 18 °C (59 °F - 64 °F)
Suchá/Bílá vína	9 - 14 °C (48 °F - 57 °F)
Růžová vína	10 - 11 °C (50 °F - 52 °F)
Šumivá vína	5 - 8 °C (41 °F - 46 °F)

■ OVLÁDACÍ PANEĽ (OVLÁDACÍ PRVKY UVNITŘ)



A. Napájení	B. Světlo	C. Zobrazení v horní zóně	D. Zvýšení teploty	E. Snížení teploty	
F. Zamknutí/Odemknutí	G. Přepínač °C/°F	H. Indikátor funkce ¹	I. Zobrazení ve spodní zóně	J. Indikátor funkce ²	K. Volba zóny

■ ZAPNUTÍ/VYPNUTÍ NAPÁJENÍ

- Po připojení spotřebiče do elektrické zásuvky se napájení zapne automaticky.
- Na vypnutí (nebo zapnutí) spotřebiče se dotkněte značky napájení (⏻) a podržte je **10 sekund**.
- Bez ohledu na stav uzamknutí nebo odemknutí můžete spotřebič vypnout dotykem značky napájení (⏻) a jejím podržením v trvání **10 sekund**.



Varování: Aby nedošlo k poškození kompresoru, nezapínejte spotřebič znovu během 5 minut po jeho vypnutí.

■ ODEMKNUTÍ OVLÁDACÍHO PANELU

- Na odemknutí ovládacího panelu se dotkněte značky napájení a značky osvětlení (⏻) 2 prsty současně a podržte je v trvání 3 sekund. Po odemknutí uslyšíte zvukový signál.
- Ovládací panel se automaticky uzamkne a ozve se zvukový signál po uplynutí 10 sekund, když se ho nikdo nedotkl.
- Ve stavu uzamknutí nebude ovládací panel reagovat na žádný dotyk na zapnutí / vypnutí osvětlení a nastavení teploty.

■ ZAPNUTÍ/VYPNUTÍ VNITŘNÍHO OSVĚTLENÍ

- Ve stavu uzamknutí se dotkněte značky osvětlení (💡) na zapnutí (nebo vypnutí) vnitřního LED osvětlení.
- Osvětlení zůstane zapnuté, dokud ho nevympnete manuálně.

■ DISPLEJ ZOBRAZENÍ TEPLOTY

- Teplota se zobrazuje digitálně, aby ji bylo možné nejlépe číst. Při nastavování teploty zobrazují digitální číslice nastavenou teplotu.
- Když je teplotní sonda poškozená, na displeji se místo digitální číslice zobrazí „HH“ nebo „LL“ a bude znít nepřetržitý zvukový signál. Pokud tato situace nastane, bude spotřebič díky promyšlenému designu pravidelně spouštět kompresor a ventilátory, aby udržel chlad uvnitř skříňky a ochránil tak uložená vína.



Varování: Aby nedošlo ke znehodnocení uložených vín, důrazně vám doporučujeme, abyste nechali spotřebič okamžitě opravit, protože záložní periodický běh nezajistí dosažení teploty, kterou jste nastavili.

■ NASTAVENÍ TEPLOTNÍHO ROZSAHU

- Počáteční rozsahy nastavení teploty jsou E: 5-12 °C (41-54 °F) pro horní zónu a 12-22 °C (54-72 °F) pro spodní zónu.
- Pokud chcete nastavit požadovaný teplotní rozsah, zkontrolujte, zda je ovládací panel uzamčen.
- Stisknete značku \ominus v trvání 3 sekund, na displeji začne blikat „E“--„F“--„H“--„L“ v postupném pořadí se zvukovým signálem po každém stisknutí.
- Nechte zobrazení na displeji zablikat 3 sekundy se zvukovým signálem na potvrzení nastavení.

Zobrazení	Teplotní rozsah (Duální zóna)	
	Horní zóna	Spodní zóna
E (Počáteční)	5 - 12 °C (41 °F - 54 °F)	12 - 22 °C (54 °F - 72 °F)
F	2 - 12 °C (36 °F - 54 °F)	12 - 20 °C (54 °F - 68 °F)
H	5 - 12 °C (41 °F - 54 °F)	8 - 19 °C (46 °F - 66 °F)
L	2 - 10 °C (36 °F - 50 °F)	2 - 10 °C (36 °F - 50 °F)

■ NASTAVENÍ TEPLOTY

- Počáteční rozsahy nastavení teploty jsou E: 5-12 °C (41-54 °F) pro horní zónu a 12-22 °C (54-72 °F) pro spodní zónu.
- Dříve než stisknutím \oplus nebo \ominus nastavíte požadovanou teplotu, budete muset dotykem značky \oplus nastavit zónu. Když je zóna připravena na nastavení, teplota zóny bude blikat.
- Prvním dotykem značky \oplus nebo \ominus vyvoláte předtím nastavenou teplotu zobrazenou na digitálním displeji.
- Dotykem \oplus zvýšíte teplotu o 1 °C (nebo o 1 °F). Naopak dotykem \ominus snížíte teplotu o 1 °C (nebo o 1 °F).

■ VOLBA ZOBRAZENÍ STUPŇŮ FAHRENHEITA (°F) A CELSIA (°C)

Přímým dotknutím se značky \odot , můžete změnit zobrazení stupňů Fahrenheita a Celsia pro obě zóny současně.

- * U modelů **PW 38 GDFB**, se stupně Celsia a Fahrenheita levé a pravé zóny změní současně bez ohledu na výše uvedenou operaci v levé nebo pravé zóně.

■ OVLÁDACÍ PANEL PW 46 GDFB S OVLÁDACÍMI PRVKY NA DVÍŘKÁCH



■ ZAPNUTÍ/VYPNUTÍ NAPÁJENÍ



- Stisknutím zapnete tlačítka podsvícení ovládacího panelu, pokud jsou vypnuté.
- Pokud chcete vinotéku vypnout z důvodu čištění nebo dlouhodobé nepřítomnosti, jedenkrát stiskněte tlačítko napájení. Když zazní jeden zvukový signál, podržte tlačítko napájení na 10 sekund a vinotéka se vypne. Po vypnutí vinotéky počkejte nejméně 5 minut, než ji opět uvedete do provozu. Toto omezí nadměrné opotřebení kompresoru.

POWER



Varování

Abyste předešli poškození kompresoru, nezapínejte spotřebič znovu do **5 minut** po vypnutí napájení.

■ ODEMKNUTÍ OVLÁDACÍHO PANELU



Unlock

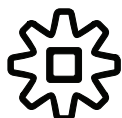
- Stisknutím po dobu 3 sekund odemknete ovládací panel.

■ VOLBA ZOBRAZENÍ STUPŇŮ FAHRENHEITA (°F) A CELSIA (°C)



- Stisknutím změníte zobrazení teploty ve stupních Fahrenheita nebo Celsia.

■ NASTAVENÍ TEPLoty



- Stisknutím tlačítka nastavíte teplotu. Blikání displeje informuje o přístupu k nastavením.

SET

■ NASTAVENÍ TEPLoty



Temp. Up

- Stisknutím tlačítka zvýšíte nastavenou teplotu o 1°.



**Temp.
Down**

- Stisknutím tlačítka snížíte nastavenou teplotu o 1°.



Nastavení tepl. rozsahu

- Stisknutím tlačítka změníte teplotní rozsah mezi E, F, H, L a nechte ho na **3 sekundy** na potvrzení vaší možnosti. Vaše vinotéka je původně nastavena na „E“, což je ideální teplota pro skladování červeného vína.

Zobrazení	Teplotní rozsah	
	Horní zóna	Spodní zóna
E (Počáteční)	5 - 12 °C (41 °F - 54 °F)	12 - 22 °C (54 °F - 72 °F)
F	2 - 12 °C (36 °F - 54 °F)	12 - 20 °C (54 °F - 68 °F)
H	5 - 12 °C (41 °F - 54 °F)	8 - 19 °C (46 °F - 66 °F)
L	2 - 10 °C (36 °F - 50 °F)	12 - 22 °C (54 °F - 72 °F)

Poznámka:

Ovládací panel se automaticky uzamkne, když zůstane nedotčen v trvání **15 sekund**. Před nastavením nezapomeňte odemknout ovládací panel. Pokud ovládací panel zůstane nedotčen v trvání **15 sekund**, s výjimkou tlačítka napájení se podsvícení všech ostatních tlačítek vypne.

■ NASTAVENÍ TEPLoty



- Nastavení teploty horní zóny



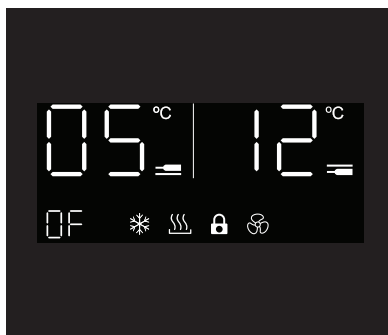
- Nastavení teploty spodní zóny



- Displej je zapnutý.



- Displej je vypnutý.



Displej lze vypnout, aby působil méně rušivě. Vaše vinotéka bude nadále pracovat, ale nebude viditelný displej na vinotéce. Teplotu ve vinotéce budete moci zkontrolovat stisknutím tlačítka **Napájení**. Chcete-li zapnout nebo vypnout displej, stiskněte tlačítko **°C/°F** v trvání **5 sekund**, pokud je ovládací panel uzamčen. Když začne blikat ON/OF, dalším stisknutím tlačítka **°C/°F** vstoupíte do rozhraní dané možnosti. „ON“ bude zobrazeno na displeji stále, zatímco možnost „OF“ vypne displej. Nechte ovládací panel nedotčený v trvání **5 sekund** na potvrzení své volby.

Poznámka:

Teploty mohou kolísat v závislosti na tom, zda je vnitřní světlo zapnuté nebo vypnuté a na poloze láhvi.

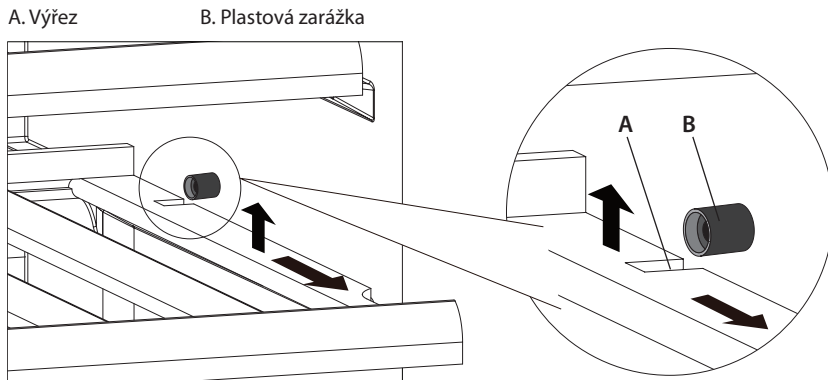
PÉČE A ÚDRŽBA

■ ČIŠTĚNÍ VINOTÉKY

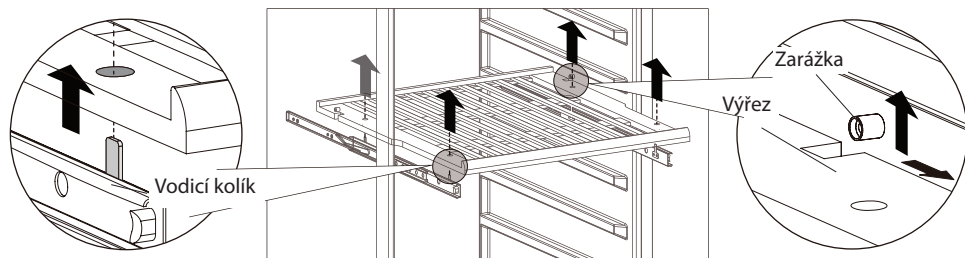
- Vypněte napájení, odpojte spotřebič a vyjměte všechny předměty včetně poliček.
- Vnitřní povrchy otřete houbou a roztokem sody. Roztok by měl obsahovat 2 polévkové lžíce jedlé sody na 1 litr teplé vody.
- Poličky umyjte jemným roztokem čistícího prostředku. Před vložením do vinotéky nechte dřevěné poličky vyschnout.
- Při čištění prostoru ovládacích prvků nebo elektrických částí, vždy vyždímejte přebytečnou vodu z houbičky nebo utěrky.
- Vnější skříňku otřete teplou vodou a jemným tekutým čistícím prostředkem. Osušte čistou jemnou utěrkou.
- Na nerezovou ocel nepoužívejte ocelový kartáč nebo drátěnku. Dojde tím k poškrábání nerezavějící oceli ocelovými částicemi a může dojít i k rezivění.

■ VYJMUTÍ POLIČEK

- Před vyjmutím poličky ze spotřebiče je nutné vyjmout všechny láhve vína na dané poličce;
- U modelu se zasouvací kolejnicí posuňte poličku do polohy, v níž je výřez na dřevěné poličce přímo pod plastovou zádržkou a zvedněte dřevěnou poličku. Zajistěte prosím jejich navrácení na místo při vrácení poličky zpět.
- Před vložením jakékoli láhve do skříňky se ujistěte, zda jsou poličky správně vloženy. Na ujištění, zda jsou poličky správně vloženy, vytáhněte poličky úplně ven do polohy zarážky (STOPPER) a zatlačte je několikrát zpět.



- U modelu se zasouvací kolejnicí prosím zvedněte celou poličku vodorovně nahoru, abyste ji oddělili od 4 vodících kolíků zasouvací kolejničky.



■ VÝMĚNA UHLÍKOVÉHO FILTRU (VOLITELNÁ MOŽNOST)

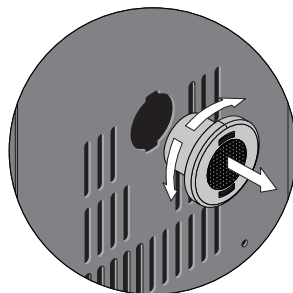
Pro zrání vína je důležitá dobrá kvalita okolního vzduchu. Uhlíkový filtr je velmi užitečný, protože vstřebává zápach a zlepšuje kvalitu vzduchu. U modelů s uhlíkovým filtrem doporučujeme, abyste jednou ročně tento filtr vyměnili. Filtr si prosím objednejte u vašeho prodejce.

Vyjmutí uhlíkového filtru:

- o Uchopte uhlíkový filtr a otočte ho o 90° doleva nebo doprava na jeho vyjmutí;

Opětovné vložení uhlíkového filtru:

- o Uchopte uhlíkový filtr a otočte ho o 90° doleva nebo doprava tak, aby zacvakl do správné polohy.



■ ODMRAZOVÁNÍ

- o Odmrazování probíhá uvnitř vaší vinotéky během jejího provozu automaticky. Voda z odmrazování se zachycuje odpařovací miskou a automaticky se zde odpařuje.
- o Odpařovací misku a vypouštěcí otvor vody z odmrazování je třeba pravidelně čistit. Tím se zabrání hromadění vody v dolní části vinotéky, namísto jejího tečení vypouštěcím kanálem na odmrazování a vypouštěcím otvorem.
- o Na vyčištění vypouštěcího otvoru do něj můžete také nalít malé množství vody.
- o Měli byste dávat pozor a zajistit, aby se láhve vína nedotýkaly zadní stěny spotřebiče, protože by to mohlo přerušit proces automatického odmrazování a odklonit vodu do základny vaší vinotéky.

■ PŘEMÍSTOVÁNÍ VAŠÍ VINOTÉKY

Pokud potřebujete přemístit vaši vinotéku na jiné místo, postupujte prosím následujícím způsobem.

- o Odstraňte z vinotéky všechny předměty.
- o Bezpečně přilepte páskou všechny volné předměty uvnitř spotřebiče, jako například poličky.
- o Zašroubujte nastavitelné nožičky nahoru k základně, abyste zabránili jejich poškození.
- o Zajistěte páskou uzavření dveří.
- o Zajistěte, aby stál spotřebič během přepravy ve svislé poloze. Abyste také zabránili poškození vnějšího pláště, obalte spotřebič dekou nebo podobnou látkou.

■ VÝPADEK DODÁVKY ELEKTRICKÉ ENERGIE

- o Pokud dojde u spotřebiče k výpadku dodávky elektrické energie, dokáže několik hodin udržovat teplotu uvnitř skříňky. Za předpokladu, že je minimalizován počet otevírání dvířek.
- o Pokud je výpadek delší než několik hodin, budete potřebovat uložit obsah na jiné místo, aby nedošlo k jeho znehodnocení zvýšením teploty.

DŮLEŽITÉ: Pokud je spotřebič odpojen od síťového napájení, dojde k výpadku napájení nebo spotřebič vypnete, musíte před jeho opětovným zapnutím 5 minut počkat. Pokud se ho pokusíte opět zapnout před uplynutím této doby, může dojít k poškození kompresoru.

■ DOVOLENÁ

Krátká dovolená: V případě dovolené, která je kratší než 3 týdny, ponechte vinotéku v provozu.

Dlouhá dovolená:

- o Pokud nebudete váš spotřebič používat delší dobu, měli byste láhve s vínem vyjmout a spotřebič vypnout.
- o Vnitřní prostory byste měli očistit pomocí roztoku jedlé sody a vlažné vody.
- o Vnitřní prostory byste potom měli důkladně vysušit.
- o Aby nedošlo k růstu plísní, ponechte dvířka mírně pootvěřená.

■ ODPOJENÍ NAPÁJENÍ

- o Pokud je spotřebič odpojen od síťového napájení nebo pokud dojde k výpadku napájení, musíte před opětovným spuštěním spotřebiče 5 minut počkat. Pokud se pokusíte vinotéku opět spustit před uplynutím 5 minut, může dojít k její poruše.

ŘEŠENÍ PROBLÉMŮ

Pokud se vám zdá, že spotřebič nefunguje správně, zkuste před tím, než zavoláte do servisu, pomocí následujících pokynů zkusit problém vyřešit sami.

Č.	PROBLÉM	MOŽNÁ PŘÍČINA PROBLÉMU/OPATŘENÍ
1	Vinotéka nefunguje	Spotřebič není připojen k síti. Spotřebič je vypnutý. Byl aktivován jistič nebo je spálená pojistka.
2	Vinotéka nedostatečně chladí.	Zkontrolujte nastavení teploty. Teplota okolního prostředí může vyžadovat vyšší nastavení. Dvířka se velmi často otevírají. Dvířka nejsou zcela dovřená. Těsnění dvířek řádně netěsní.
3	Časté automatické zapnutí a vypnutí.	Teplota v místnosti je vyšší, než obvykle. Do vinotéky se přidalo velké množství položek. Dvířka se velmi často otevírají. Dvířka nejsou zcela dovřená. Ovladač teploty není správně nastaven. Těsnění dvířek řádně netěsní.
4	Nefunguje osvětlení.	Spotřebič není připojen k síti. Byl aktivován jistič nebo je spálená pojistka. Osvětlení je vypnuto. Ohledně opravy a výměny kontaktujte servisní středisko.
5	Příliš velké vibrace.	Kontrolou se ujistěte, zda je spotřebič vyrovnaný. Kontrolou se ujistěte, zda uvnitř skříňky nebo v komoře kompresoru nejsou žádné uvolněné díly.
6	Vinotéka se zdá být velmi hlučná.	Drncivý zvuk může být způsoben prouděním chladiva. Jde o normální jev. Na konci každého cyklu uslyšíte bublající zvuk, který je způsoben prouděním chladiva. Stahování a rozšiřování vnitřních stěn může způsobovat praskavý nebo lupnutí. Spotřebič není vyrovnaný.
7	Dvířka se správně nezavírají.	Vinotéka není vyrovnaná. Změna směru otevírání dvířek nebyla provedena správně. Těsnění je znečištěné. Poličky jsou nesprávně umístěny.
8	Na displeji se zobrazuje „HH“ nebo „LL“ namísto digitální číslice, a/nebo se ozývá nepřetržitý zvukový signál.	Porucha teplotní sondy.

ZMĚNA SMĚRU OTEVÍRÁNÍ DVÍŘEK

Poznámky:

- Následující operace jsou k dispozici pouze pro model s ovládacími prvky uvnitř a s nainstalovaným pravým závěsem dvířek.
- Všechny vyjmuté díly doporučujeme uložit pro případ opětovné změny směru otvírání dvířek.

■ PRO PW 38 GDFB S OVLÁDACÍMI PRVKY UVNITŘ

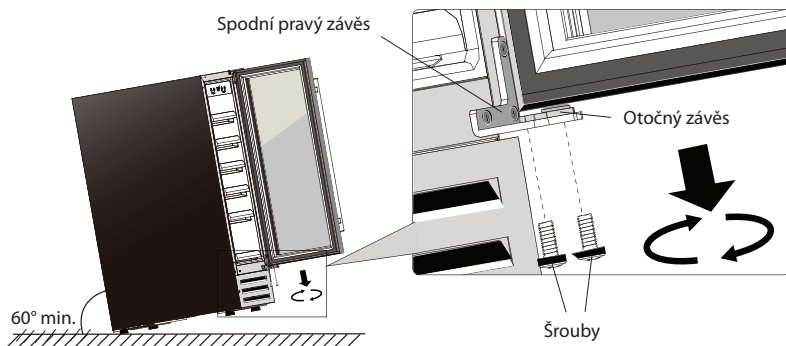
- Spotřebič je s levými a pravými dvířky a není třeba dělat změnu směru otvírání dvířek.

■ PRO PW 17 GDFB/PW 32 GD/PW 46 GDFB OVLÁDACÍ PRVKY UVNITŘ

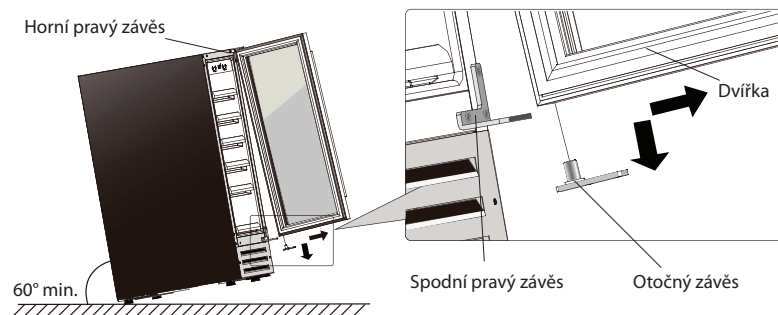
Poznámky:

- Pokud chcete změnit dvířka z pravého závěsu na levý závěs, musíte si připravit 2 nové náhradní díly: **levý horní závěs** a **levý spodní závěs**.
- Všechny vyjmuté díly doporučujeme uložit pro případ opětovné změny směru otvírání dvířek.

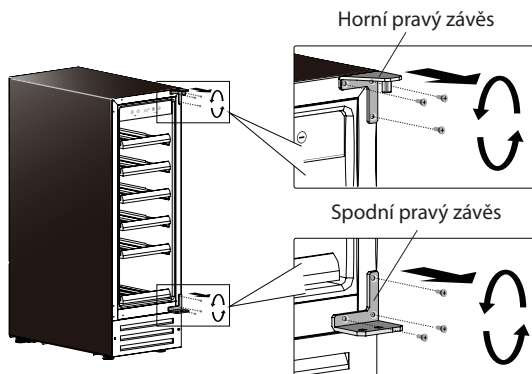
1. Otevřete dvířka a uvolněte 2 šrouby z otočného závěsu spodního pravého závěsu.



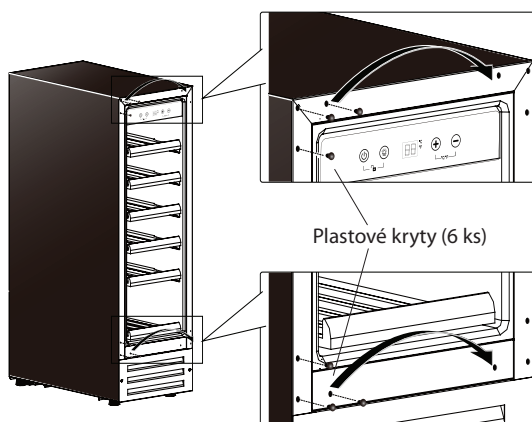
2. Opatrně vyjměte dvířka z horního pravého závěsu a dávejte pozor, abyste je nepoškrábali. Vyjměte otočný závěs z otvoru závěsu dvířek.



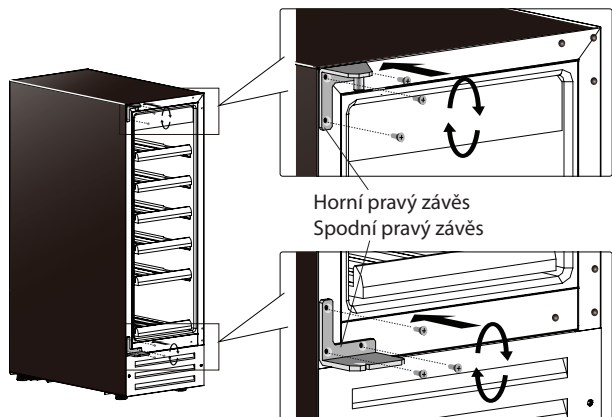
- 3.** Odšroubujte horní pravý závěs a spodní pravý závěs ze skříňky. Odložte si je pro opětovnou instalaci dvířek.



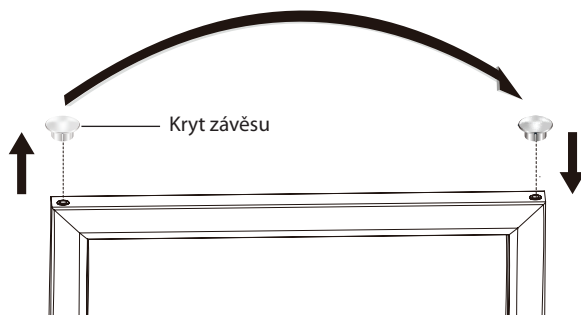
- 4.** Vyměňte 6 plastových krytů v levém předním rohu skříňky. A přemístěte je všechny na pravou stranu.



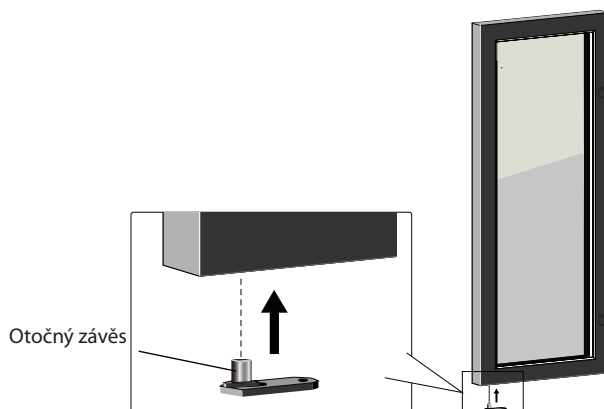
5. Nainstalujte horní levý závěs a spodní levý závěs na levou stranu spotřebiče. Ujistěte se, zda jsou šrouby dotaženy.



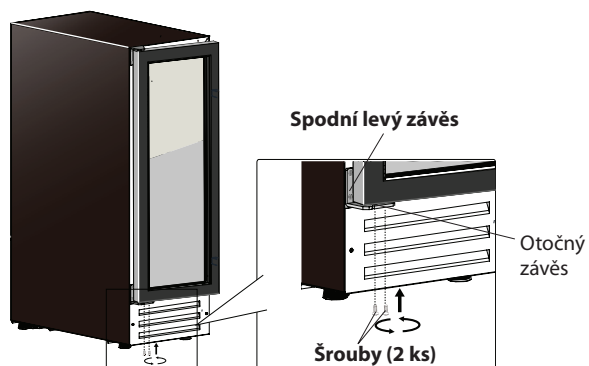
6. Přesuňte kryt závěsu (v horní části dvířek) z levé strany na pravou stranu.



7. Vložte otočný závěs do otvoru spodního závěsu dvířek.




8. Nainstalujte dvířka na levý závěs a utáhněte otočný závěs pomocí 2 šroubů.

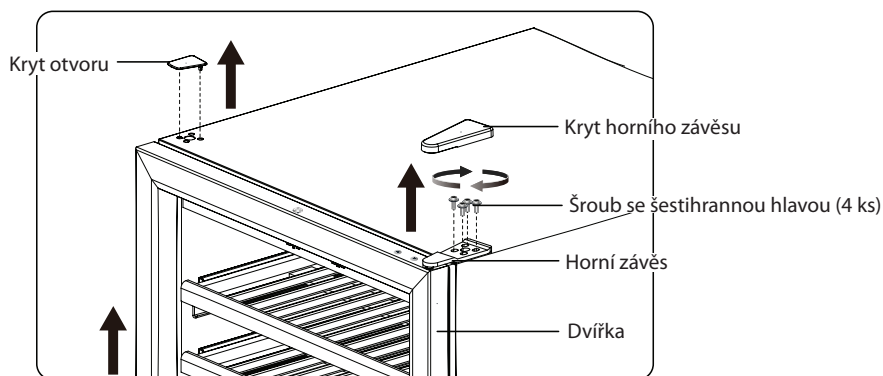


■ PRO PW 166 GD S OVLÁDACÍMI PRVKY UVNITŘ

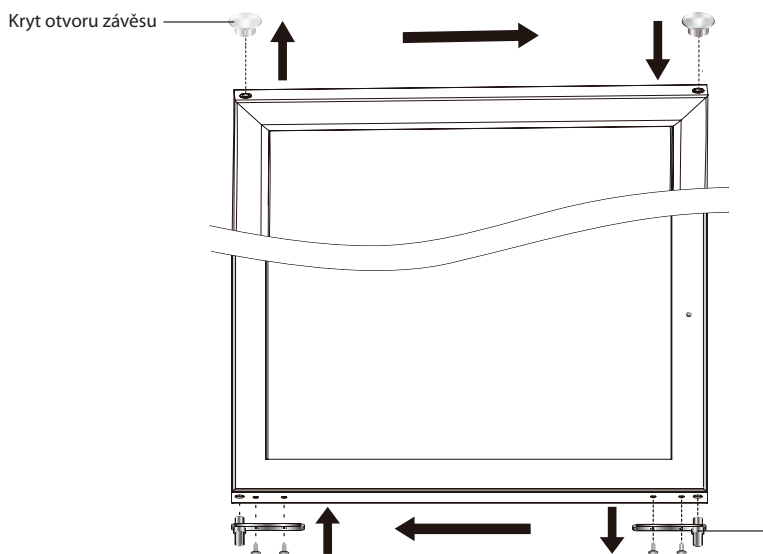
DŮLEŽITÉ INFORMACE

Doporučujeme vám, abyste zajistili poličky na místě pomocí lepicí pásky, aby při manipulaci se spotřebičem nedošlo k poškození, a všechny odstraněné díly pečlivě uschovejte.

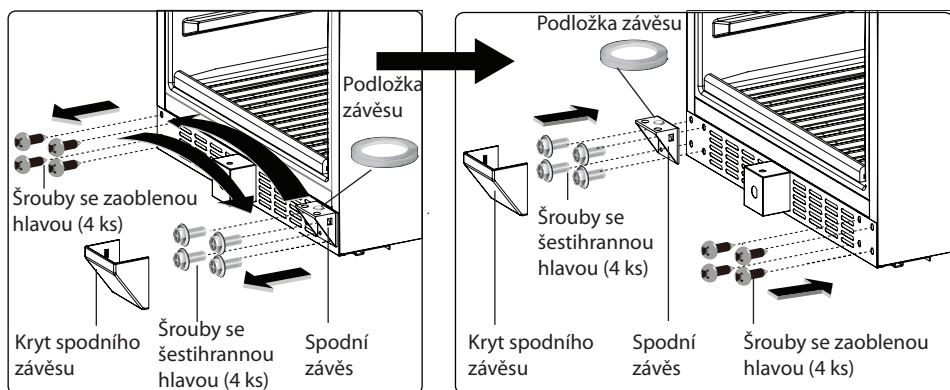
1. Pomocí plochého šroubováku vyjměte kryt otvoru a kryt horního závěsu na horní straně. Sejměte horní závěs odšroubováním šroubů se šestihrannou hlavou (4 ks). Nyní s vaším pomocníkem opatrně zvedněte dvířka ze spodního závěsu a opatrně je položte stranou. Pro opětovnou instalaci je důležité, aby podložka závěsu  zůstala v horní části spodního závěsu.



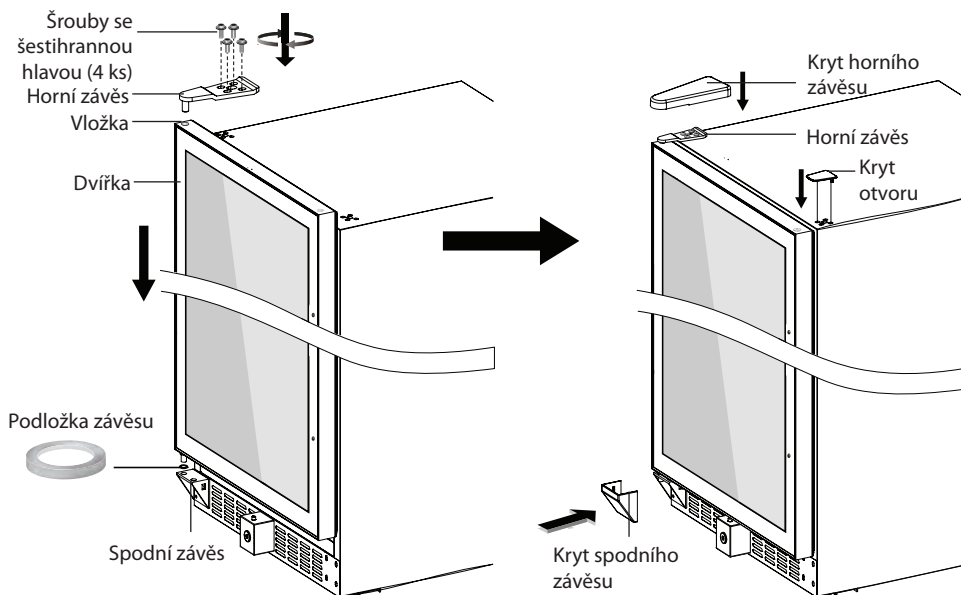
2. Přesuňte kryt závěsu (v horní části dvířek) z levé strany na pravou stranu. Přesuňte otočný závěs (ve spodní části dvířek) zprava doleva.



- 3.** Sejměte kryt spodního závěsu opatrným vypáčením malým plochým šroubovákem. Sejměte spodní závěs odšroubováním šroubů se šestihrannou hlavou (4 ks). Odšroubujte z levé spodní strany šrouby s válcovou zaoblenou hlavou (4 ks). Nyní posuňte spodní závěs na levou spodní stranu a pevně ho přišroubujte pomocí šroubů s šestihrannou hlavou (4 ks). Přemístěte šrouby s válcovou zaoblenou hlavou (4 ks) k pravé spodní straně a zašroubujte je.



- 4.** Držte s pomocníkem pevně dvířka a umístěte je na horní část spodního závěsu; ujistěte se, zda je otočný závěs na správném místě vůči podložce závěsu. Vložte kolík horního závěsu do vložky na pravé horní straně a připevněte jej pomocí šroubů s šestihrannou hlavou (4 ks). Zakryjte horní závěs a spodní závěs krytem horního a krytem spodního závěsu. Zakryjte otvory pro šrouby závěsu na pravé horní straně pomocí krytky otvoru.



Informační list



DELEGOVANÉ NAŘÍZENÍ KOMISE (EU) 2019/2016

Název nebo ochranná známka výrobce: PHILCO

Adresa výrobce: PHILCO, FAST ČR, a.s. U Sanitasy 1621 Říčany 251 01, Czech Republic

Identifikační značka modelu: PW 17 GDFB

Typ chladicího zařízení: Vinotéka

Nízkohlučný spotřebič:	Ne	Typ spotřebiče:	volně stojící
Zařízení pro skladování vína:	Ano	Ostatní chladicí spotřebiče	Ne

Základní specifikace:

Parametr	Hodnota	Parametr	Hodnota
Rozměry v mm	Výška	Celkový objem (dm ³ nebo l)	54
	Šířka		
	Hloubka		
Index energetické účinnosti (EEL)	171	Třída energetické účinnosti*	G
Akustický zvuk emise hluku (dB(A) re 1 pW)	39	Třída akustických emisí hluku	C
Roční spotřeba energie (kWh/rok)	135	Klimatická třída:	mírné, subtropické
Minimální okolní teplota (°C), pro které je chladicí zařízení vhodné	16	Maximální okolní teplota (°C), pro které je chlazení zařízení je vhodné	38
Nastavení spotřebiče na zimu	Ne		

Specifikace prostoru

Typ prostoru	Parametry a hodnoty chladicího prostoru				
	Objem spotřebiče (dm ³ nebo l)	Doporučené nastavení teploty pro optimalizované skladování potravin (°C)	Mrazicí kapacita (kg/24h)	Typ odmrazování: (auto-odmrazování = A manuální odmrazování = M)	
Komora / spíž	Ne	-	-	-	
Skladování vína	Ano	54	-	A	
Sklepní prostor	Ne	-	-	-	
Čerstvé potraviny	Ne	-	-	-	
Mrazicí prostor	Ne	-	-	-	
0-hvězdička nebo výrobce ledu	Ne	-	-	-	

1-hvězdička	Ne	-	-	-	-
2-hvězdička	Ne	-	-	-	-
3-hvězdička	Ne	-	-	-	-
4-hvězdička	Ne	-	-	-	-
2-hvězdičkový prostor	Ne	-	-	-	-
Zásuvka s měnící se teplotou	Ne	-	-	-	-
Parametry zdroje světla:					
Typ světelného zdroje			LED		
Třída energetické účinnosti			-		
Minimální doba trvání záruky nabízené výrobcem: 24 měsíců					
Dodatečné informace:					
Webový odkaz na web výrobce, kde jsou informace uvedené v bodě 4 (a) přílohy nařízení Komise (EU) 2019/2022 nalezeno: https://www.fastcr.cz/					

* A (nejvyšší účinnost) až G (nejnižší účinnost)

Informační list



DELEGOVANÉ NAŘÍZENÍ KOMISE (EU) 2019/2016

Název nebo ochranná známka výrobce: PHILCO

Adresa výrobce: PHILCO, FAST ČR, a.s. U Sanitasy 1621 Říčany 251 01, Czech Republic

Identifikační značka modelu: PW 32 GD

Typ chladicího zařízení: Vinotéka

Nízkohlučný spotřebič:	Ne	Typ spotřebiče:	volně stojící
Zařízení pro skladování vína:	Ano	Ostatní chladicí spotřebiče	Ne

Základní specifikace:

Parametr	Hodnota	Parametr	Hodnota
Rozměry v mm	Výška	Celkový objem (dm ³ nebo l)	85
	Šířka		
	Hloubka		
Index energetické účinnosti (EEL)	171	Třída energetické účinnosti*	G
Akustický zvuk emise hluku (dB(A) re 1 pW)	39	Třída akustických emisí hluku	C
Roční spotřeba energie (kWh/rok)	139	Klimatická třída:	mírné, subtropické
Minimální okolní teplota (°C), pro které je chladicí zařízení vhodné	16	Maximální okolní teplota (°C), pro které je chlazení zařízení je vhodné	38
Nastavení spotřebiče na zimu	Ne		

Specifikace prostoru

Typ prostoru	Parametry a hodnoty chladicího prostoru				Typ odmrazování: (auto-odmrazování = A manuální odmrazování = M)
	Objem spotřebiče (dm ³ nebo l)	Doporučené nastavení teploty pro optimalizované skladování potravin (°C)	Mrazicí kapacita (kg/24h)		
Komora / spíž	Ne	-	-	-	-
Skladování vína	Ano	85	12	-	A
Sklepní prostor	Ne	-	-	-	-
Čerstvé potraviny	Ne	-	-	-	-
Mrazicí prostor	Ne	-	-	-	-
0-hvězdička nebo výrobek ledu	Ne	-	-	-	-

1-hvězdička	Ne	-	-	-	-
2-hvězdička	Ne	-	-	-	-
3-hvězdička	Ne	-	-	-	-
4-hvězdička	Ne	-	-	-	-
2-hvězdičkový prostor	Ne	-	-	-	-
Zásuvka s měnící se teplotou	Ne	-	-	-	-
Parametry zdroje světla:					
Typ světelného zdroje			LED		
Třída energetické účinnosti			-		
Minimální doba trvání záruky nabízené výrobcem: 24 měsíců					
Dodatečné informace:					
Webový odkaz na web výrobce, kde jsou informace uvedené v bodě 4 (a) přílohy nařízení Komise (EU) 2019/2022 nalezeno: https://www.fastcr.cz/					

* A (nejvyšší účinnost) až G (nejnižší účinnost)

Informační list



DELEGOVANÉ NAŘÍZENÍ KOMISE (EU) 2019/2016

Název nebo ochranná známka výrobce: PHILCO

Adresa výrobce: PHILCO, FAST ČR, a.s. U Sanitatu 1621 Říčany 251 01, Czech Republic

Identifikační značka modelu: PW 38 GDFB

Typ chladicího zařízení: Vinotéka

Nízkohlučný spotřebič:	Ne	Typ spotřebiče:	volně stojící
Zařízení pro skladování vína:	Ano	Ostatní chladicí spotřebiče	Ne

Základní specifikace:

Parametr	Hodnota	Parametr	Hodnota
Rozměry v mm	Výška	Celkový objem (dm ³ nebo l)	116
	Šířka		
	Hloubka		
Index energetické účinnosti (EEL)	170	Třída energetické účinnosti*	G
Akustický zvuk emise hluku (dB(A) re 1 pW)	40	Třída akustických emisí hluku	C
Roční spotřeba energie (kWh/rok)	142	Klimatická třída:	mírné, subtropické
Minimální okolní teplota (°C), pro které je chladicí zařízení vhodné	16	Maximální okolní teplota (°C), pro které je chlazení zařízení je vhodné	38
Nastavení spotřebiče na zimu	Ne		

Specifikace prostoru

Typ prostoru	Parametry a hodnoty chladicího prostoru				Typ odmrazování: (auto-odmrazování = A manuální odmrazování = M)
	Objem spotřebiče (dm ³ nebo l)	Doporučené nastavení teploty pro optimalizované skladování potravin (°C)	Mrazicí kapacita (kg/24h)		
Komora / spíž	Ne	-	-	-	-
Skladování vína	Ano	116	-	-	A
Sklepní prostor	Ne	-	-	-	-
Čerstvé potraviny	Ne	-	-	-	-
Mrazicí prostor	Ne	-	-	-	-
0-hvězdička nebo výrobek ledu	Ne	-	-	-	-

1-hvězdička	Ne	-	-	-	-
2-hvězdička	Ne	-	-	-	-
3-hvězdička	Ne	-	-	-	-
4-hvězdička	Ne	-	-	-	-
2-hvězdičkový prostor	Ne	-	-	-	-
Zásuvka s měnící se teplotou	Ne	-	-	-	-
Parametry zdroje světla:					
Typ světelného zdroje			LED		
Třída energetické účinnosti			-		
Minimální doba trvání záruky nabízené výrobcem: 24 měsíců					
Dodatečné informace:					
Webový odkaz na web výrobce, kde jsou informace uvedené v bodě 4 (a) přílohy nařízení Komise (EU) 2019/2022 nalezeno: https://www.fastcr.cz/					

* A (nejvyšší účinnost) až G (nejnižší účinnost)

Informační list



DELEGOVANÉ NAŘÍZENÍ KOMISE (EU) 2019/2016

Název nebo ochranná známka výrobce: PHILCO

Adresa výrobce: PHILCO, FAST ČR, a.s. U Sanitatu 1621 Říčany 251 01, Czech Republic

Identifikační značka modelu: PW 46 GDFB

Typ chladicího zařízení: Vinotéka

Nízkohlučný spotřebič:	Ne	Typ spotřebiče:	volně stojící
Zařízení pro skladování vína:	Ano	Ostatní chladicí spotřebiče	Ne

Základní specifikace:

Parametr	Hodnota	Parametr	Hodnota
Rozměry v mm	Výška	Celkový objem (dm ³ nebo l)	135
	Šířka		
	Hloubka		
Index energetické účinnosti (EEL)	181	Třída energetické účinnosti*	G
Akustický zvuk emise hluku (dB(A) re 1 pW)	40	Třída akustických emisí hluku	C
Roční spotřeba energie (kWh/rok)	156	Klimatická třída:	mírné, subtropické
Minimální okolní teplota (°C), pro které je chladicí zařízení vhodné	16	Maximální okolní teplota (°C), pro které je chlazení zařízení je vhodné	38
Nastavení spotřebiče na zimu	Ne		

Specifikace prostoru

Typ prostoru	Parametry a hodnoty chladicího prostoru				
	Objem spotřebiče (dm ³ nebo l)	Doporučené nastavení teploty pro optimalizované skladování potravin (°C)	Mrazicí kapacita (kg/24h)	Typ odmrazování: (auto-odmrazování = A manuální odmrazování = M)	
Komora / spíž	Ne	-	-	-	-
Skladování vína	Ano	135	-	-	A
Sklepní prostor	Ne	-	-	-	-
Čerstvé potraviny	Ne	-	-	-	-
Mrazicí prostor	Ne	-	-	-	-
0-hvězdička nebo výrobek ledu	Ne	-	-	-	-

1-hvězdička	Ne	-	-	-	-
2-hvězdička	Ne	-	-	-	-
3-hvězdička	Ne	-	-	-	-
4-hvězdička	Ne	-	-	-	-
2-hvězdičkový prostor	Ne	-	-	-	-
Zásuvka s měnící se teplotou	Ne	-	-	-	-
Parametry zdroje světla:					
Typ světelného zdroje			LED		
Třída energetické účinnosti			-		
Minimální doba trvání záruky nabízené výrobcem: 24 měsíců					
Dodatečné informace:					
Webový odkaz na web výrobce, kde jsou informace uvedené v bodě 4 (a) přílohy nařízení Komise (EU) 2019/2022 nalezeno: https://www.fastcr.cz/					

* A (nejvyšší účinnost) až G (nejnižší účinnost)

Informační list



DELEGOVANÉ NAŘÍZENÍ KOMISE (EU) 2019/2016

Název nebo ochranná známka výrobce: PHILCO

Adresa výrobce: PHILCO, FAST ČR, a.s. U Sanitasy 1621 Říčany 251 01, Czech Republic

Identifikační značka modelu: PW 166 GD

Typ chladicího zařízení: Vinotéka

Nízkohlučný spotřebič:	Ne	Typ spotřebiče:	volně stojící
Zařízení pro skladování vína:	Ano	Ostatní chladicí spotřebiče	Ne

Základní specifikace:

Parametr	Hodnota	Parametr	Hodnota
Rozměry v mm	Výška	Celkový objem (dm ³ nebo l)	418
	Šířka		
	Hloubka		
Index energetické účinnosti (EEL)	182	Třída energetické účinnosti*	G
Akustický zvuk emise hluku (dB(A) re 1 pW)	40	Třída akustických emisí hluku	C
Roční spotřeba energie (kWh/rok)	192	Klimatická třída:	mírné,
Minimální okolní teplota (° C), pro které je chladicí zařízení vhodné	16	Maximální okolní teplota (° C), pro které je chlazení zařízení je vhodné	32
Nastavení spotřebiče na zimu	Ne		

Specifikace prostoru

Typ prostoru	Parametry a hodnoty chladicího prostoru				
	Objem spotřebiče (dm ³ nebo l)	Doporučené nastavení teploty pro optimalizované skladování potravin (° C)	Mrazicí kapacita (kg/24h)	Typ odmrazování: (auto-odmrazování = A manuální odmrazování = M)	
Komora / spíž	Ne	-	-	-	-
Skladování vína	Ano	418	-	-	A
Sklepní prostor	Ne	-	-	-	-
Čerstvé potraviny	Ne	-	-	-	-
Mrazicí prostor	Ne	-	-	-	-
0-hvězdička nebo výrobce ledu	Ne	-	-	-	-

1-hvězdička	Ne	-	-	-	-
2-hvězdička	Ne	-	-	-	-
3-hvězdička	Ne	-	-	-	-
4-hvězdička	Ne	-	-	-	-
2-hvězdičkový prostor	Ne	-	-	-	-
Zásuvka s měnící se teplotou	Ne	-	-	-	-
Parametry zdroje světla:					
Typ světelného zdroje			LED		
Třída energetické účinnosti			-		
Minimální doba trvání záruky nabízené výrobcem: 24 měsíců					
Dodatečné informace:					
Webový odkaz na web výrobce, kde jsou informace uvedené v bodě 4 (a) přílohy nařízení Komise (EU) 2019/2022 nalezeno: https://www.fastcr.cz/					

* A (nejvyšší účinnost) až G (nejnižší účinnost)

TECHNICKÉ INFORMACE

Technické informace se nachází na typovém štítku na vnitřní straně spotřebiče a na energetickém štítku. QR kód, na dodaném energetickém štítku, obsahuje odkaz na registraci spotřebiče v databázi EU Eprel. Uchovejte si energetický štítek, návod k použití, spolu s dalšími dokumenty dodanými s přístrojem.

INFORMACE O TESTOVÁNÍ

Dodané zařízení je v souladu s EcoDesignem a EN62552-1/-2/-3:2020, EN 60704-1:2010+A11:2012, EN 60704-2-14:2013+A11:2015+A1:2019. Požadavky na přístup vzduchu pro správný provoz přístroje, minimální vzdálenost od zdi a rozměry přístroje, jsou součástí tohoto návodu. V případě dalších dotazů se obraťte na výrobce.

PÉČE O ZÁKAZNÍKA A SERVIS

Vždy používejte pouze originální náhradní díly.

Označení modelu a sériové číslo naleznete na typovém štítku. Polohu typového štítku je možné změnit bez předchozího upozornění.

Originální náhradní díly pro některé konkrétní komponenty jsou k dispozici minimálně 7 nebo 10 let. Závisí to na typu komponentu a na uvedení posledního spotřebiče daného modelu na trh.

Při kontaktování našeho autorizovaného servisu mějte k dispozici modelové označení, sériové číslo a popis závady.

Pro stažení dokumentů navštivte www.philco.cz.

Pro nahlášení závady a získání dalších servisních informací navštivte <https://philco.cz/podpora-a-servis>.

Změny vyhrazeny bez předchozího upozornění.

POKYNY A INFORMACE TÝKAJÍCÍ SE LIKVIDACE POUŽITÝCH OBALOVÝCH MATERIÁLŮ

Obalové materiály zlikvidujte na veřejném místě pro likvidaci odpadu.

LIKVIDACE POUŽITÝCH ELEKTRICKÝCH A ELEKTRONICKÝCH SPOTŘEBIČŮ



Význam symbolu na výrobku, jeho příslušenství nebo obalu znamená, že s tímto výrobkem nesmí být zacházeno jako s komunálním odpadem. Tento výrobek zlikvidujte na příslušném sběrném místě pro recyklaci odpadu z elektrických a elektronických zařízení. Popřípadě je možné v některých státech Evropské unie nebo jiných evropských státech vrátit své výrobky místnímu prodejci, v případě koupě obdobného nového výrobku. Správná likvidace tohoto výrobku pomůže ušetřit cenné přírodní zdroje a pomoci při prevenci případného negativního vlivu na životní prostředí a lidské zdraví, ke kterému by mohlo dojít v důsledku nesprávné likvidace odpadu. Podrobnější informace získáte od místního úřadu nebo v nejbližším středisku pro sběr odpadu. Nesprávná likvidace tohoto typu odpadu může podléhat vnitrostátním předpisům o pokutách.

Pro podnikatelské subjekty v Evropské unii

Chcete-li zlikvidovat elektrické nebo elektronické zařízení, vyžádejte si potřebné informace od svého prodejce nebo dodavatele.

Likvidace v jiných státech mimo Evropské unie

Chcete-li zlikvidovat tento výrobek, vyžádejte si potřebné informace o správném způsobu likvidace od místních úřadů nebo svého prodejce.



Tento výrobek splňuje všechny základní požadavky nařízení EU, které se na něj vztahují.

Změny v textu, designu a technických údajích se mohou vyskytnout bez předchozího upozornění a vyhrazujeme si právo provést tyto změny.

Originál tohoto návodu k obsluze je v českém jazyce.



VAROVÁNÍ! BĚHEM POUŽÍVÁNÍ, SERVISU A LIKVIDACE VĚNUJTE POZORNOST SYMBOLU PODOBNÉMU NA LEVÉ STRANĚ, KTERÝ JE UMÍSTĚN NA ZADNÍ STRANĚ SPOTŘEBIČE (ZADNÍ PANEL NEBO KOMPRESOR) A SE ŽLUTOU NEBO ORANŽOVOU BARVOU.



JE TO RIZIKO POŽÁRNÍHO VAROVNÉHO SYMBOLU. JSOU ZDE HOŘLAVÉ MATERIÁLY POTRUBÍ A KOMPRESOR. BUĎTE DALEKO OD OHNĚ BUĎTE PROSÍM DALEKO OD ZDROJE OHNĚ BĚHEM POUŽÍVÁNÍ, OBSLUHY SPOTŘEBIČE A LIKVIDACE.

Vinotéka

NÁVOD NA OBSLUHU

PHILCO



Famous for Quality the World Over

PW 17 GDFB

PW 32 GD

PW 38 GDFB

PW 46 GDFB

PW 166 GD

**Ďakujem vám za zakúpenie tohto produktu.
Pred používaním svojej vinotéky si prosím pozorne prečítajte tento návod na obsluhu, za účelom maximalizovania jej výkonu.**

OBSAH

BEZPEČNOSTNÉ POKYNY	3
POPIS SPOTREBIČA A JEHO INŠTALÁCIA	7
INŠTALÁCIA PRÍSLUŠENSTVA PRED POUŽITÍM PRODUKTU	12
OBSLUHA VINOTÉKY	13
STAROSTLIVOSŤ A ÚDRŽBA	20
RIEŠENIE PROBLÉMOV	23
ZMENA SMERU OTVÁRANIA DVIEROK	24
INFORMAČNÝ LIST	30



Tento spotrebič bol testovaný v súlade so smernicami platnými v Európskej únii.

Tento spotrebič vyhovuje príslušným bezpečnostným predpisom pre elektrické spotrebiče platné v Európskej únii.

VÁŽENÝ ZÁKAZNÍK:

Ďakujem vám za zakúpenie tohto produktu. Pred používaním svojej vinotéky si prosím pozorne prečítajte tento návod na obsluhu, za účelom maximalizovania jej výkonu.

Zaistite, aby bol obalový materiál zlikvidovaný v súlade s platnými požiadavkami na ochranu životného prostredia.

Pri likvidácii akéhokoľvek chladiaceho zariadenia sa obráťte na miestne oddelenie likvidácie odpadu, kde získate informácie o bezpečnej likvidácii.

Tento spotrebič sa smie používať iba na určený účel.

UPOZORNENIE:

Spotrebič nie je určený na používanie malými deťmi alebo postihnutými osobami bez dozoru.

Malé deti by mali byť pod dozorom, aby sa zabezpečilo, že sa so spotrebičom nebudú hrať.

BEZPEČNOSTNÉ POKYNY

TENTO SPOTREBIČ MÔŽU POUŽÍVAŤ DETI OD 8 ROKOV A OSOBY S OBMEDZENÝMI FYZICKÝMI, SENZORICKÝMI ALEBO MENTÁLNYMI SCHOPNOSŤAMI, ALEBO BEZ DOSTATOČNÝCH SKÚSENOSTÍ A ZNALOSTÍ, AK SÚ POD DOHĽADOM ALEBO BOLI POUČENÉ O SPRÁVNOM A BEZPEČNOM POUŽITÍ SPOTREBIČA A POROZUMELI MOŽNÝM RIZIKÁM.

DETI SA SO SPOTREBIČOM NESMÚ HRAŤ. ČISTENIE A ÚDRŽBU NESMÚ VYKONÁVAŤ DETI BEZ DOZORU. DETI VO VEKU 3 AŽ 8 ROKOV MÔŽU VKLADAŤ A VYBERAŤ POTRAVINY Z CHLADIACICH SPOTREBIČOV.

AK JE NAPÁJACÍ KÁBEL POŠKODENÝ, JEHO VÝMENU ZVERTE ODBORNÉMU SERVISNÉMU STREDISKU, ABY SA ZABRÁNILO VZNIKU NEBEZPEČENEJ SITUÁCIE. SPOTREBIČ S POŠKODENÝM NAPÁJACÍM KÁBLOM JE ZAKÁZANÉ POUŽÍVAŤ.



AK MÁ VÁŠ MODEL VÝROBNÍK ĽADU BEZ PRIPOJENIA PRÍVODU VODY, NAPLNTE HO LEN PITNOU VODOU.



VETRACIE OTVORY V KRYTE SPOTREBIČA ALEBO V JEHO KONŠTRUKCII JE POTREBNÉ UDRŽIAVAŤ VOĽNÉ A BEZ PREKÁŽOK.



NA URÝCHLENIE PROCESU ODMRAZOVANIA NEPOUŽÍVAJTE MECHANICKÉ ZARIADENIA ANI INÉ PROSTRIEDKY AKO SÚ TIE, KTORÉ SÚ ODPORÚČANÉ VÝROBCOM.



NEPOŠKODZUJTE CHLADIACI OBVOD.



VO VNÚTRI SKLADOVACIEHO PRIESTORU SPOTREBIČA NEPOUŽÍVAJTE ELEKTRICKÉ ZARIADENIA, POKIAĽ NEJDE O TYP, KTORÝ JE ODPORÚČANÝ VÝROBCOM.

NEUKLADAŤ V TOMTO SPOTREBIČI VÝBUŠNÉ LÁTKY TAKÉ, AKO SÚ SPREJE S HORĽAVÝM HNACÍM PLYNOM.

TENTO PRÍSTROJ JE URČENÝ NA POUŽITIE VÝLUČNE V DOMÁCNOSTI A NIE V PODOBNÝCH OBLASTIACH, AKO SÚ:

- KUCHYNKY PRE ZAMESTNANCOV V PREDAJNIACH, KANCELÁRIÁCH A INÝCH PRACOVNÝCH PROSTREDIACH;
- NA FARMÁCH A KLIENTMI HOTELOV, MOTELOV A INÝCH PROSTREDÍ REZIDENČNÉHO TYPU;
- PROSTREDIE UBYTOVANIA S RAŇAJKAMI;
- STRAVOVANIE A PODOBNÉ MALOOBCHODNÉ VYUŽITIA.



AK MÁ VÁŠ MODEL VÝROBNÍK ĽADU BEZ PRIPOJENIA PRÍVODU VODY, NAPLNTE HO LEN PITNOU VODOU.



SPOTREBIČ MUSÍ BYŤ PRIPOJENÝ PODĽA NÁVODU, ABY SA ZABRÁNILO NEBEZPEČENSTVU SPÔSOBENÉMU JEHO NESTABILITOU.



ZNAČKA ISO 7000-1701 (2004-01)
OZNAČUJE MÉDIUM POD TLAKOM.



NEBEZPEČENSTVO POŽIARU/HORĽAVÉ MATERIÁLY!



CHLADIACI SYSTÉM OBSAHUJE CHLADIVO POD VYSOKÝM TLAKOM. NEMANIPULUJTE SO SYSTÉMOM. MUSÍ BYŤ OPRAVOVANÝ LEN KVALIFIKOVANOU OSOBOU.

R600A

SPOTREBIČ OBSAHUJE CHLADIACI PLYN IZOBUTÁN, KTORÝ JE HORĽAVÝ. POČAS PREPRASY A INŠTALÁCIE SPOTREBIČA ZABRÁŇTE POŠKODENIU KOMPONENTOV CHLADIACEHO OKRUHU.



PRI UMIESTNENÍ SPOTREBIČA SA UISTITE, ČI NIE JE NAPÁJACÍ KÁBEL ZACHYTENÝ ALEBO POŠKODENÝ.



NEUMIESTŇUJTE MNOHOPOČETNÉ PRENOSNÉ ZÁSUVKY ALEBO PRENOSNÉ ZDROJE NAPÁJANIA NA ZADNÚ STRANU SPOTREBIČA.

OSTATNÉ ODPORÚČANIA/INŠTALÁCIA

BEZPEČNOSŤ ELEKTRICKÉHO SYSTÉMU:

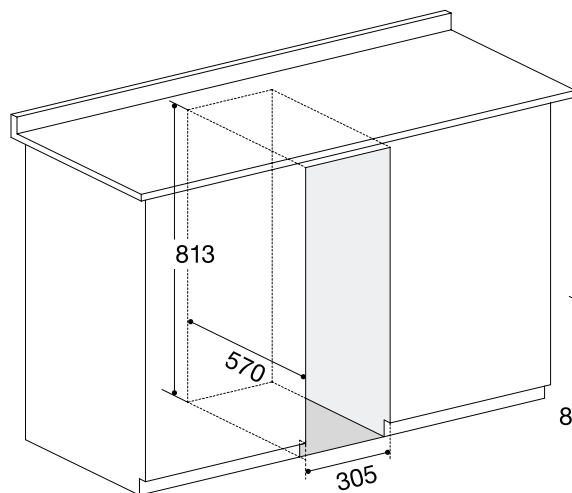
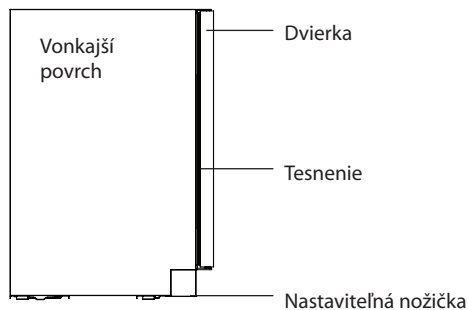
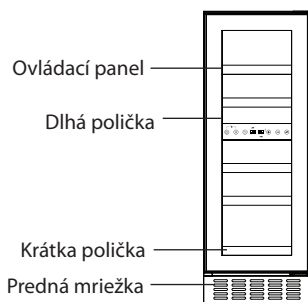
- NAPÁJACÍ KÁBEL NESMIE BYŤ PREDLŽOVANÝ.
- UISTITE SA, ČI NIE JE ZÁSTRČKA NAPÁJACIEHO KÁBLA POŠKODENÁ, V OPAČNOM PRÍPADE SA MÔŽE PREHRIEVAŤ A SPÔSOBIŤ POŽIAR.
- PRI UMIESTNENÍ SPOTREBIČA SA UISTITE, ČI NIE JE NAPÁJACÍ KÁBEL ZACHYTENÝ ALEBO POŠKODENÝ.
- NEUMIESTŇUJTE MNOHOPOČETNÉ PRENOSNÉ ZÁSUVKY ALEBO PRENOSNÉ ZDROJE NAPÁJANIA NA ZADNÚ STRANU SPOTREBIČA.
- SPOTREBIČ NESMIE BYŤ UMIESTNENÝ NA NAPÁJACOM KÁBLI.
- SPOTREBIČ NESMIE BYŤ UMIESTNENÝ VO VLHKOM PROSTREDÍ; NAPÁJACÍ KÁBEL NESMIE LEŽAŤ VO VODE.
- UISTITE SA, ČI MÁTE VOĽNÝ PRÍSTUP K ZÁSTRČKE SPOTREBIČA.
- NEŤAHAJTE ZA NAPÁJACÍ KÁBEL.
- AK JE ELEKTRICKÁ ZÁSUVKA UVOĽNENÁ, NEPRIPÁJAJTE K NEJ ZÁSTRČKU. HROZÍ RIZIKO ZASIAHNUTIA ELEKTRICKÝM PRÚDOM ALEBO VZNIKU POŽIARU.
- NESMIETE POUŽÍVAŤ TENTO SPOTREBIČ BEZ KRYTU VNÚTORNÉHO OSVETLENIA.
- CHLADNIČKA JE URČENÁ LEN NA NAPÁJANIE Z JEDNEJ FÁZY STRIEDAVÉHO PRÚDU S HODNOTAMI 220~240 V/50 HZ. AK JE KOLÍSANIE NAPÄTIA V MIESTE BYDLISKA POUŽÍVATEĽA TAK VEĽKÉ, ŽE PRESAHUJE VYŠŠIE UVEDENÉ LIMITY, Z BEZPEČNOSTNÝCH DÔVODOV POUŽITE PRE CHLADNIČKU AUTOMATICKÝ NAPÄŤOVÝ REGULÁTOR S VIAC AKO 350 W.
- ZÁSTRČKA MUSÍ BYŤ POUŽITÁ SO ZÁSUVKOU S UZEMŇOVACÍM KONTAKTOM.

POPIS SPOTREBIČA A JEHO INŠTALÁCIA

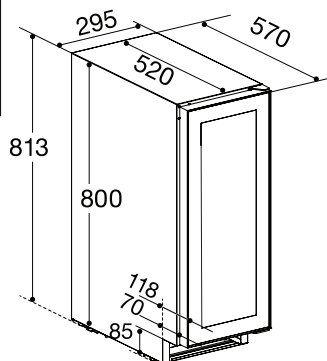
Nasledujúce obrázky zobrazujú iba popis spotrebiča. Rozmer a množstvo police sa môžu medzi modelmi rovnakej série líšiť.

■ PW 17 GDFB S OVLÁDACÍMI PRVKAMI VO VNÚTRÍ

Duálna zóna **17** fliaš

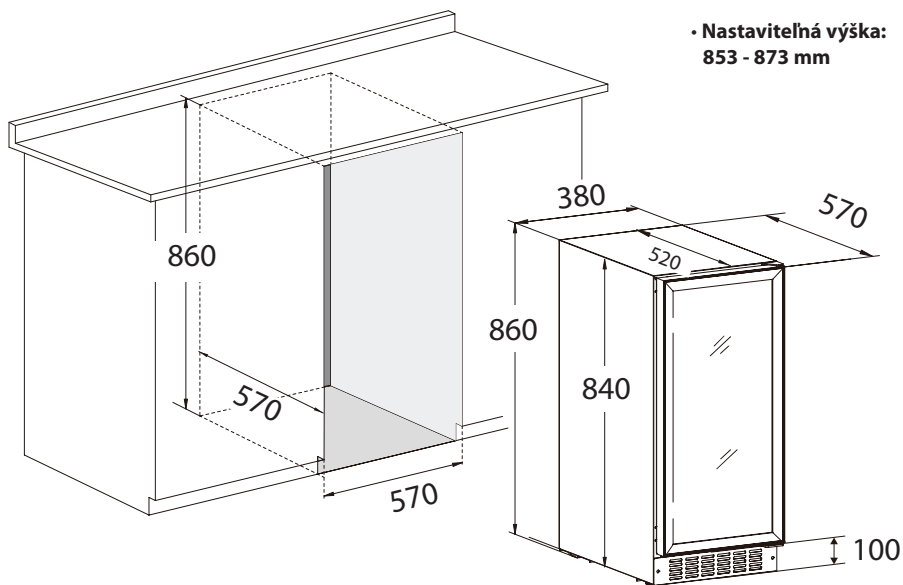
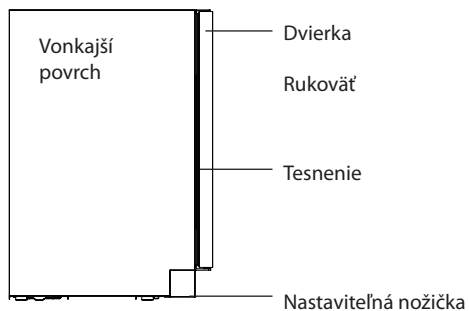
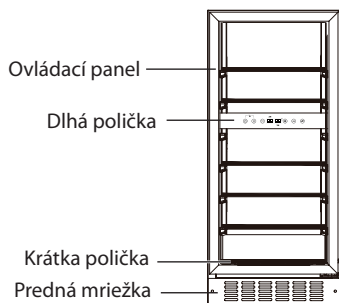


• **Nastaviteľná výška:**
813 - 845 mm



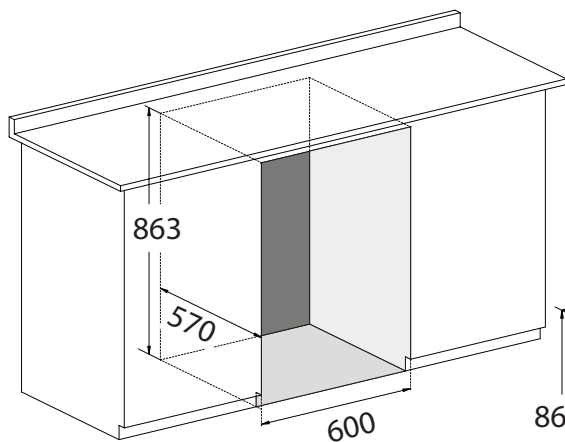
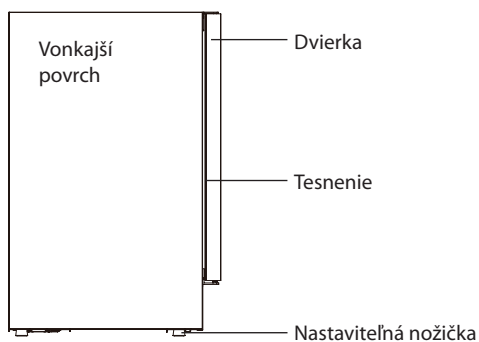
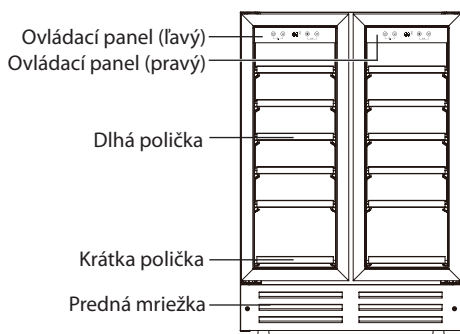
■ PW 32 GD S OVLÁDACÍMI PRVKAMI VO VNÚTRI

Duálna zóna **32** fliaš

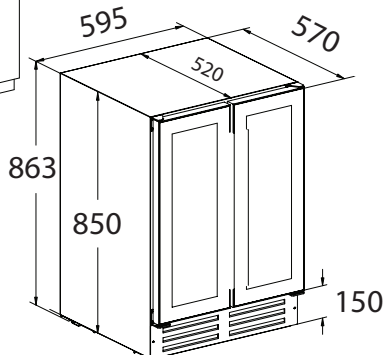


■ PW 38 GDFB S OVLÁDACÍMI PRVKAMI VO VNÚTRI

Duálna zóna **38** fliaš

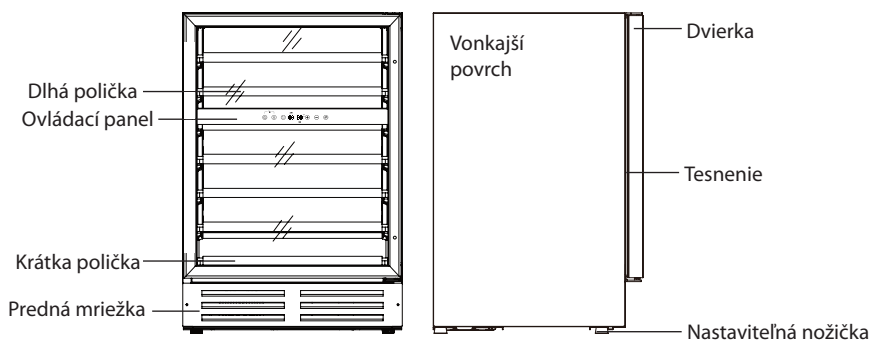


• Nastaviteľná výška:
813 - 845 mm

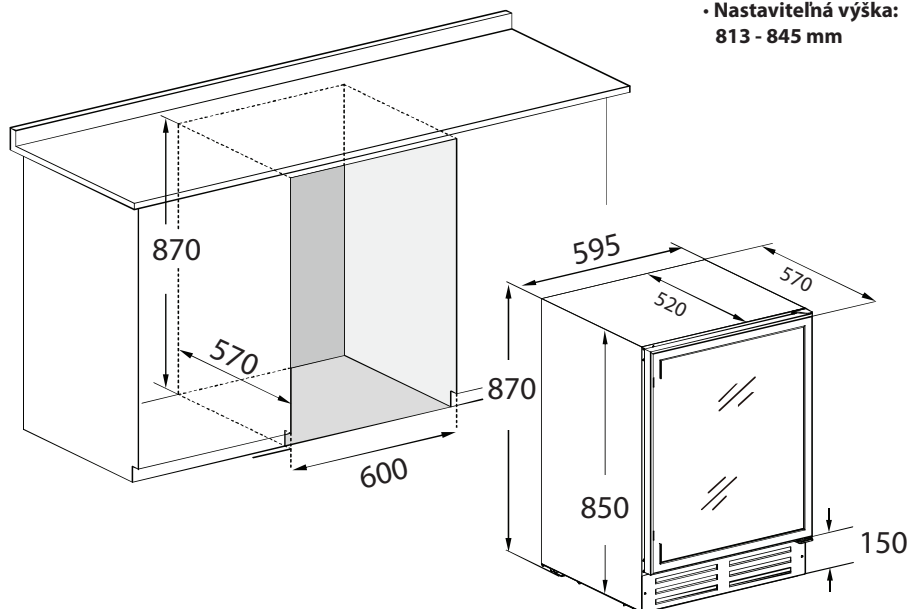


■ PW 46 GDFB S OVLÁDACÍMI PRVKAMI VO VNÚTRI - VÝŠKA: 86,3 CM

Duálna zóna **46** fliaš

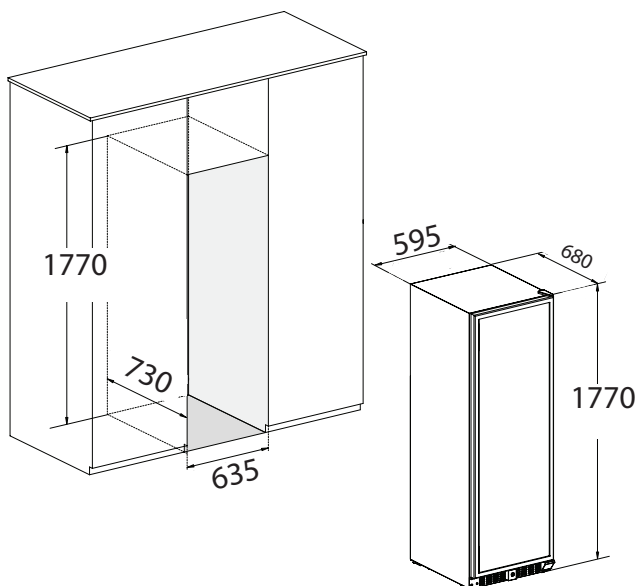
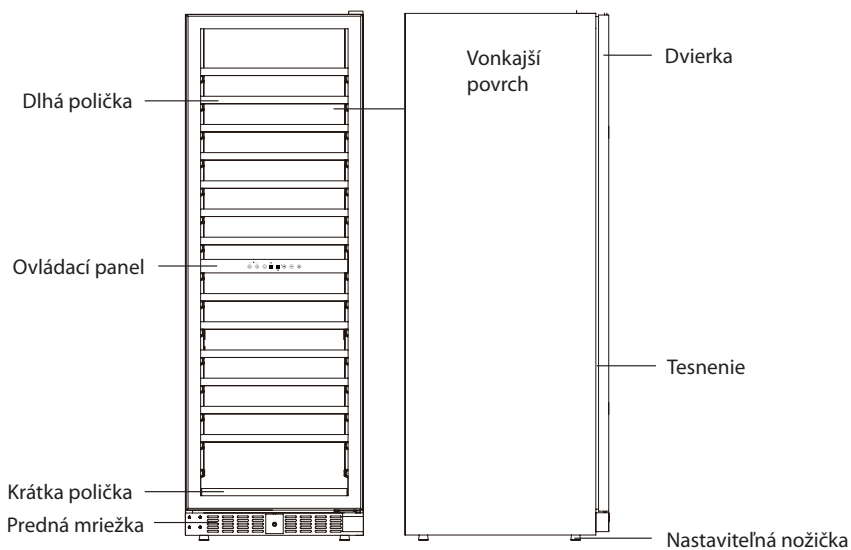


• **Nastaviteľná výška:**
813 - 845 mm



■ PW 166 GD S OVLÁDACÍMI PRVKAMI VO VNÚTRI

Duálna zóna **166** fliaš



INŠTALÁCIA PRÍSLUŠENSTVA PRED POUŽITÍM PRODUKTU

■ VYBALENIE A OČISTENIE VINOTÉKY

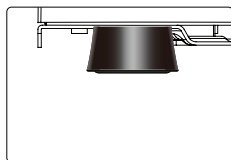
- Odstráňte vonkajšie a vnútorné obalové materiály.
- Pred pripojením k zdroju energie nechajte tento spotrebič približne 24 hodín stáť vo zvislej polohe, aby sa minimalizovalo nebezpečenstvo poruchy chladiaceho systému z dôvodu manipulácie počas prepravy.
- Pomocou jemnej handričky očistite vnútorný povrch vlažnou vodou.

DÔLEŽITÉ: Predná mriežka na základni spotrebiča je určená na odvetrávanie. Pred túto prednú mriežku nekladte žiadne predmety, inak nemusí vinotéka fungovať správne.

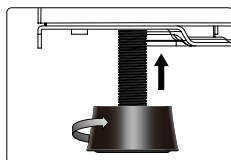
- K prednej časti vetracích otvorov základne je možné pripevniť ozdobný podstavec - v tomto podstavci by sa mal urobiť výrez väčšej veľkosti, než je predná žalúzia. Tento výrez sa vyžaduje bez ohľadu na to, či je predná žalúzia odstránená alebo nie.

■ NASTAVENIE VÝŠKY A VYROVNANIE VAŠEJ VINOTÉKY

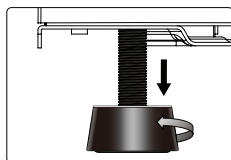
- Tento spotrebič je vybavený nastaviteľnými nožičkami, takže jeho výšku môžete nastaviť tak, aby bola skrinka na nerovných podlahách vyrovnaná.
- Odporúčame, aby túto operáciu vykonávali dve osoby.
- Výšku je potrebné nastaviť pred vstavaním spotrebiča do linky a táto výška by mala byť nastavená tak, aby sa horný panel spotrebiča presne vošiel pod pracovnú plochu kuchynskej linky.



- Nakloňte spotrebič o približne 60° na získanie prístupu k nastaviteľným nožičkám.
- Zaistite, aby bol spotrebič neustále podopieraný.



- Zaskrutkujte nožičku do vhodnej polohy na vyrovanie skrinky.



- Opakujte tieto kroky pri ďalších nastaviteľných nožičkách.

DÔLEŽITÉ: Ak nie je spotrebič vyrovnaný, môže to mať negatívny vplyv na dvierka a tesnenie dvierok.

DÔLEŽITÉ: Nepremiestňujte spotrebič, ktorého nožičky sú vysunuté.

■ ODOMKNUTIE A UZAMKNUTIE DVIEROK (VOLITEĽNÁ MOŽNOSŤ)

- Uzamknutie je voliteľnou funkciou. Ak je vaša vinotéka touto funkciou vybavená, mali by ste v balení tohto návodu nájsť kľúč.
- Vložte kľúč do zámky a otočte ho proti smeru hodinových ručičiek na odomknutie dvierok. Na uzamknutie ho otočte v smere hodinových ručičiek. Kľúč si dobre uschovajte.

OBSLUHA VINOTÉKY

■ KLIMATICKÁ TRIEDA

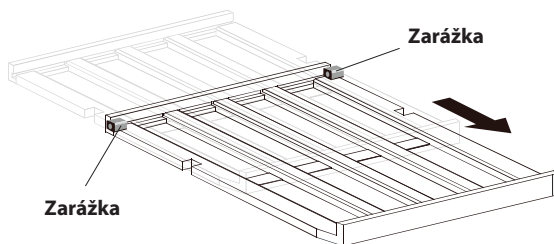
- Tento spotrebič je navrhnutý na prevádzku v klimatickej triede SN až N (pozrite si nižšie uvedenú tabuľku klimatických tried). Odporúčame vám, aby ste udržiavali teplotu okolia 22 - 25 °C, pri ktorej má spotrebič nízku spotrebu energie.

Klimatická trieda	Teplota v miestnosti
SN	10 - 32 °C (50 °F - 90 °F)
N	16 - 32 °C (61 °F - 90 °F)
ST	16 - 38 °C (64,4 °F - 100 °F)
T	16- 43 °C (64,4 °F - 109 °F)

- Ak je teplota okolia nižšia alebo vyššia, než je navrhnutý klimatický rozsah, môže to mať vplyv na výkon spotrebiča. Napríklad pri prevádzke spotrebiča v extrémne chladnom alebo teplom prostredí môže dochádzať ku kolísaniu teplôt a v niektorých prípadoch nemusí byť možné dosiahnuť teploty 5-22 °C.

■ SKLADOVANIE VÍNA

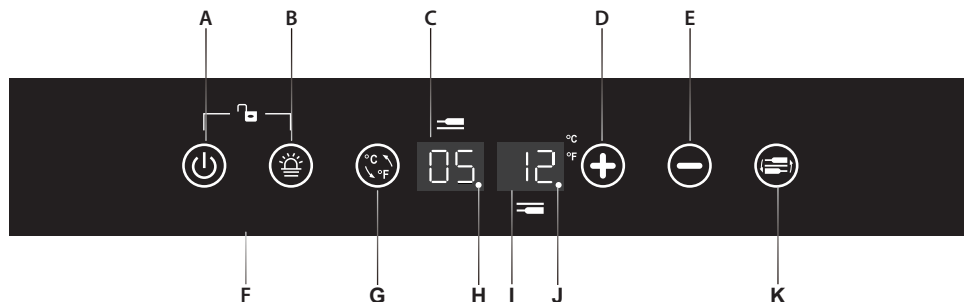
- Štandardné poličky sú navrhnuté na perfektné skladovanie fliaš Bordeaux. Maximálny počet vložených fliaš sa môže líšiť podľa rôznych veľkostí a rozmerov skladovaných fliaš s vínom.
- Poličky je možné vytiahnuť o približne 1/3 dĺžky, aby bol uľahčený prístup k uskladnenému vínu.



- Aby nedošlo k poškodeniu dverného tesnenia, zaistite, aby boli pred vytiahnutím poličiek úplne otvorené dvierka.
- Víno prosím skladujte v uzatvorených fľašiach.
- Nezakrývajte poličky hliníkovou fóliou alebo iným podobným materiálom, ktorý by mohol brániť cirkulácii vzduchu.
- Ak by bude vinotéka dlhší čas prázdna, odporúčame, aby ste spotrebič odpojili a po starostlivom vyčistení ponechali dvierka pootvorené, aby vo vnútri vinotéky mohol cirkulovať vzduch. Zabráňte tak prípadnej kondenzácii, tvorbe plesní alebo zápachu.
- Odporúčané teploty na chladenie/skladovanie vašich vín.



Typ vína	Odporúčaná teplota
Červené vína	15 - 18 °C (59 °F - 64 °F)
Suché/Biele vína	9 - 14 °C (48 °F - 57 °F)
Ružové vína	10 - 11 °C (50 °F - 52 °F)
Šumivé vína	5 - 8 °C (41 °F - 46 °F)

■ OVLÁDACÍ PANEĽ (OVLÁDACIE PRVKY VO VNÚTRI)



A. Napájanie	B. Svetlo	C. Zobrazenie v hornej zóne	D. Zvýšenie teploty	E. Zníženie teploty	
F. Zamknutie/Odomknutie	G. Prepínač °C/°F	H. Indikátor funkcie ¹	I. Zobrazenie v spodnej zóne	J. Indikátor funkcie ²	K. Voľba zóny



■ ZAPNUTIE/VYPNUTIE NAPÁJANIA

- Po pripojení spotrebiča do elektrickej zásuvky sa napájanie zapne automaticky.
- Na vypnutie (alebo zapnutie) spotrebiča sa dotknite značky napájania  a podržte ju **10 sekúnd**.
- Bez ohľadu na stav uzamknutia alebo odomknutia môžete spotrebič vypnúť dotykom značky napájania  a jej podržaním v trvaní **10 sekúnd**.




Varovanie: Aby nedošlo k poškodeniu kompresora, nezapínajte spotrebič znovu počas 5 minút po jeho vypnutí.

■ ODOMKNUTIE OVLÁDACIEHO PANEĽA

- Na odomknutie ovládacieho panelu sa dotknite značky napájania a značky osvetlenia   2 prstami súčasne a podržte ich v trvaní **3 sekúnd**. Po odomknutí budete počuť zvukový signál.
- Ovládací panel sa automaticky uzamkne a ozve sa zvukový signál po uplynutí **10 sekúnd** keď sa ho nikto nedotkol.
- V stave uzamknutia nebude ovládací panel reagovať na žiaden dotyk na zapnutie/vypnutie osvetlenia a nastavenie teploty.

■ ZAPNUTIE/VYPNUTIE VNÚTORNÉHO OSVETLENIA

- V stave uzamknutia sa dotknite značky osvetlenia  na zapnutie (alebo vypnutie) vnútorného LED osvetlenia.
- Osvetlenie zostane zapnuté, pokiaľ ho nevypnete manuálne.

■ DISPLEJ ZOBRAZENIA TEPLOTY

- Teplota sa zobrazuje digitálne, aby ju bolo možné najlepšie čítať. Pri nastavovaní teploty zobrazujú digitálne číslice nastavenú teplotu.
- Keď je teplotná sonda pokazená, na displeji sa namiesto digitálnej číslice zobrazí „HH“ alebo „LL“ a bude znieť nepretržitý zvukový signál. Ak táto situácia nastane, bude spotrebič vďaka premyslenému dizajnu pravidelne spúšťať kompresor a ventilátory, aby udržal chlad vnútri skrinky a ochránil tak uložené vína.



Varovanie: Aby nedošlo k znehodnoteniu uložených vín, dôrazne vám odporúčame, aby ste nechali spotrebič okamžite opraviť, pretože záložný periodický beh nezaistí dosiahnutie teploty, ktorú ste nastavili.

■ NASTAVENIE TEPLOTNÉHO ROZSAHU

- Počiatkové rozsahy nastavenia teploty sú E: 5-12 °C (41-54 °F) pre hornú zónu a 12-22 °C (54-72 °F) pre spodnú zónu.
- Ak chcete nastaviť požadovaný teplotný rozsah, uistite sa, či je ovládací panel uzamknutý.
- Stlačte značku v trvaní **3 sekúnd**, na displeji začne blikať „E“--„F“--„H“--„L“ v postupnom poradí so zvukovým signálom po každom stlačení.
- Nechajte zobrazenie na displeji zablikať 3 sekundy so zvukovým signálom na potvrdenie nastavenia.

Zobrazenie	Teplotný rozsah (Duálna zóna)	
	Horná zóna	Spodná zóna
E (Počiatkové)	5 - 12 °C (41 °F - 54 °F)	12 - 22 °C (54 °F - 72 °F)
F	2 - 12 °C (36 °F - 54 °F)	12 - 20 °C (54 °F - 68 °F)
H	5 - 12 °C (41 °F - 54 °F)	8 - 19 °C (46 °F - 66 °F)
L	2 - 10 °C (36 °F - 50 °F)	2 - 10 °C (36 °F - 50 °F)

■ NASTAVENIE TEPLOTY

- Počiatkové rozsahy nastavenia teploty sú E: 5-12 °C (41-54 °F) pre hornú zónu a 12-22 °C (54-72 °F) pre spodnú zónu.
- Skôr ako stlačením alebo nastavíte požadovanú teplotu, budete musieť dotykom značky nastaviť zónu. Keď je zóna pripravená na nastavenia, teplota zóny bude blikať.
- Prvým dotykem značky alebo vyvoláte predtým nastavenú teplotu zobrazenú na digitálnom displeji.
- Dotykem zvýšite teplotu o 1 °C (alebo o 1 °F). Naopak dotykem znížite teplotu o 1 °C (alebo o 1 °F).

■ VOĽBA ZOBRAZENIA STUPŇOV FAHRENHEITA (°F) A CELZIA (°C)

Priamym dotykem značky môžete zmeniť zobrazenie stupňov Fahrenheita a Celzia pre obe zóny súčasne.

- * Pri modeloch **PW 38 GDFB**, sa stupne Celzia a Fahrenheita ľavej a pravej zóny menia súčasne bez ohľadu na vyššie uvedené operácie v ľavej alebo pravej zóne.

■ OVLÁDACÍ PANEL PW 46 GDFB S OVLÁDACÍMI PRVKAMI NA DVIERKACH



■ ZAPNUTIE/VYPNUTIE NAPÁJANIA



POWER

- Stlačením zapnete tlačidlá podsvietenia ovládacieho panela, ak sú vypnuté.
- Ak chcete vinotéku vypnúť z dôvodu čistenia alebo dlhodobej neprítomnosti, jedenkrát stlačte tlačidlo napájania. Keď zaznie jeden zvukový signál, podržte stlačené tlačidlo napájania na **10 sekúnd** a vinotéka sa vypne. Po vypnutí vinotéky počkajte najmenej **5 minút** kým ju opäť uvediete do prevádzky. Toto obmedzí nadmerné opotrebovanie kompresora.



Varovanie

Aby ste predišli poškodeniu kompresora, nezapínajte spotrebič znovu do **5 minút** po vypnutí napájania.

■ ODOMKNUTIE OVLÁDACIEHO PANELA



Unlock

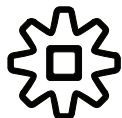
- Stlačením v trvaní 3 sekúnd odomknete ovládací panel.

■ VOĽBA ZOBRAZENIA STUPŇOV FAHRENHEITA (°F) A CELZIA (°C)



- Stlačením zmeníte zobrazenie teploty v stupňoch Fahrenheitu alebo Celzia.

■ NASTAVENIE TEPLoty



- Stlačením tlačidla nastavíte teplotu. Blikanie displeja informuje o prístupe k nastaveniam.

SET

■ NASTAVENIE TEPLoty



Temp. Up

- Stlačením tlačidla zvýšite nastavenú teplotu o 1°.



**Temp.
Down**

- Stlačením tlačidla znížite nastavenú teplotu o 1°.



Nastavenie tepl. rozsahu

- Stlačením tlačidla zmeníte teplotný rozsah medzi E, F, H, L a nechajte ho na **3 sekundy** na potvrdenie vašej možnosti. Vaša vinotéka je pôvodne nastavená na „E“, čo je ideálna teplota na skladovanie červeného vína.

Zobrazenie	Teplotný rozsah	
	Horná zóna	Spodná zóna
E (Počiatočné)	5 - 12 °C (41 °F - 54 °F)	12 - 22 °C (54 °F - 72 °F)
F	2 - 12 °C (36 °F - 54 °F)	12 - 20 °C (54 °F - 68 °F)
H	5 - 12 °C (41 °F - 54 °F)	8 - 19 °C (46 °F - 66 °F)
L	2 - 10 °C (36 °F - 50 °F)	12 - 22 °C (54 °F - 72 °F)

Poznámka:

Ovládací panel sa automaticky uzamkne, keď zostane nedotknutý v trvaní **15 sekúnd**. Pred nastavením nezabudnite odomknúť ovládací panel. Ak ovládací panel zostane nedotknutý v trvaní **15 sekúnd**, s výnimkou tlačidla napájania sa podsvietenie všetkých ostatných tlačidiel vypne.

■ NASTAVENIE TEPLoty



- Nastavenie teploty hornej zóny



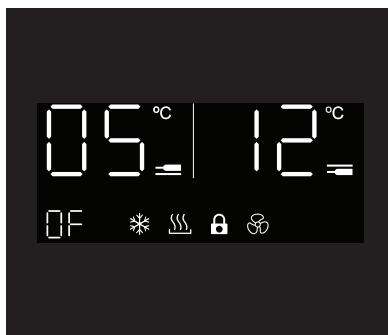
- Nastavenie teploty spodnej zóny



- Displej je zapnutý.



- Displej je vypnutý.



Displej je možné vypnúť, aby pôsobil menej rušivo. Vaša vinotéka bude naďalej pracovať, ale nebude viditeľný displej na vinotéke. Teplotu vo vinotéke budete môcť skontrolovať stlačením tlačidla **Napájania**. Ak chcete zapnúť alebo vypnúť displej, stlačte tlačidlo **°C/°F** v trvaní **5 sekúnd**, pokiaľ je ovládací panel uzamknutý.

Keď začne blikať indikátor ON/OFF, ďalším stlačením tlačidla **°C/°F** vstúpite do rozhrania danej možnosti. „ON“ bude zobrazené na displeji stále, zatiaľ čo možnosť „OF“ vypne displej. Nechajte ovládací panel nedotknutý v trvaní **5 sekúnd** na potvrdenie svojej voľby.

Poznámka:

Teploty môžu kolísať v závislosti od toho, či je vnútorné svetlo zapnuté alebo vypnuté a od polohy fliaš.

STAROSTLIVOSŤ A ÚDRŽBA

■ ČISTENIE VINOTÉKY

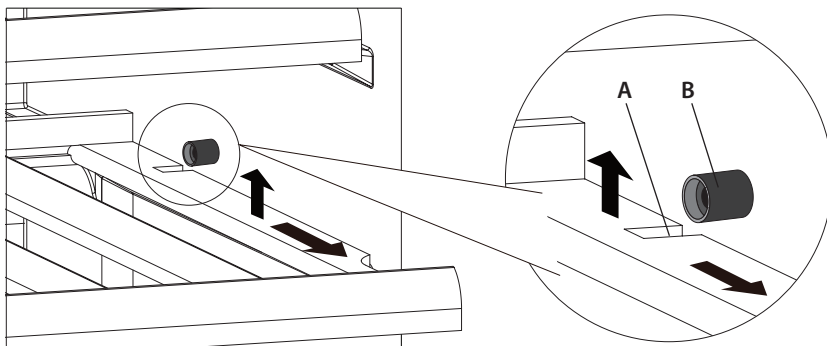
- Vypnite napájanie, odpojte spotrebič a vyberte všetky predmety vrátane poličiek.
- Vnútorne povrchy utrite špongiou a roztokom sódy. Roztok by mal obsahovať 2 polievkové lyžice jedlej sódy na 1 liter teplej vody.
- Poličky umyte jemným roztokom čistiaceho prostriedku. Pred vložением do vinotéky nechajte drevené poličky vyschnúť.
- Pri čistení priestoru ovládacích prvkov alebo elektrických častí, vždy vyžmýkajte prebytočnú vodu zo špongie alebo utierky.
- Vonkajšiu skrinku utrite teplou vodou a jemným tekutým čistiacim prostriedkom. Utrite do sucha čistou jemnou utierkou.
- Na nehrdzavejúcu oceľ nepoužívajte oceľovú kefu alebo drôtenku. Dôjde tým k poškriabaniu nehrdzavejúcej ocele oceľovými časticami a môže dôjsť aj k hrdzaveniu.

■ VYBRATIE POLIČIEK

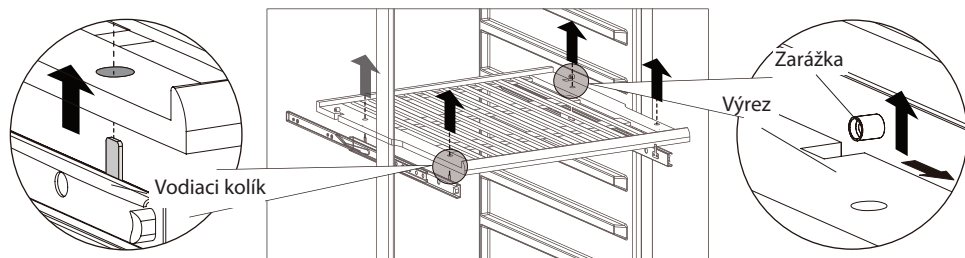
- Pred vybratím poličky zo spotrebiča je nevyhnutné vybrať všetky fľaše vína na danej poličke;
- Pri modeli so zasúvacou koľajničkou posuňte poličku do polohy, v ktorej je výrez na drevenej poličke priamo pod plastovou zarážkou a zdvihnite drevenú poličku.
- Zaistite, prosím, ich navrátenie na miesto pri vrátení poličky späť.
- Pred vložением akejkoľvek fľaše do skrinky sa uistite, či sú poličky správne vložené. Na uistenie, či sú poličky správne vložené, vyťahnite poličky úplne von do polohy zarážky (STOPPER) a zatlačte ich niekoľkokrát späť.

A. Výrez

B. Plastová zarážka



- Pri modeli so zasúvacou koľajničkou prosím zdvihnite celú poličku vodorovne hore, aby ste ju oddelili od 4 vodiacich kolíkov zasúvacej koľajničky.

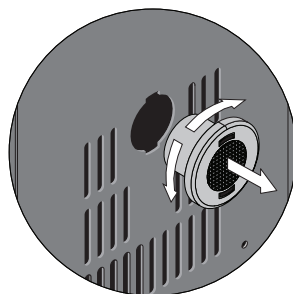


■ VÝMENA UHLÍKOVÉHO FILTRA (VOLITEĽNÁ MOŽNOSŤ)

Pre zretie vína je dôležitá dobrá kvalita okolitého vzduchu. Uhlíkový filter je veľmi užitočný, pretože vstrebáva zápach a zlepšuje kvalitu vzduchu. Pri modeloch s uhlíkovým filtrom odporúčame, aby ste jedenkrát ročne tento filter vymenili. Filter si, prosím, objednajete u vášho predajcu.

Vybratie uhlíkového filtra:

- o Uchopte uhlíkový filter a otočte ho o 90° doľava alebo doprava na jeho vybratie;
- o Opätovné vloženie uhlíkového filtra:
- o Uchopte uhlíkový filter a otočte ho o 90° doľava alebo doprava tak, aby zacvakol do správnej polohy.



■ ODMRAZOVANIE

- o Odmrazovanie prebieha vnútri vašej vinotéky počas jej prevádzky automaticky. Voda z odmravovania sa zachytáva odparovacou miskou a automaticky sa tu odparuje.
- o Odparovaciu misku a vypúšťací otvor vody z odmravovania je potrebné pravidelne čistiť. Tým sa zabráni zhromažďovaniu vody v dolnej časti vinotéky, namiesto jej tečenia vypúšťacím kanálom na odmravovanie a vypúšťacím otvorom.
- o Na vyčistenie vypúšťacieho otvoru doň môžete tiež naliať malé množstvo vody.
- o Mali by ste dávať pozor a zaistiť, aby sa fľaše vína nedotýkali zadnej steny spotrebiča, pretože by to mohlo prerušiť proces automatického odmravovania a odkloniť vodu do základne vašej vinotéky.

■ PREMIESTŇOVANIE VAŠEJ VINOTÉKY

Ak potrebujete premiestniť vašu vinotéku na iné miesto, postupujte, prosím, nasledujúcim spôsobom.

- o Odstráňte z vinotéky všetky predmety.
- o Bezpečne prilepte páskou všetky voľné predmety vnútri spotrebiča, ako napríklad poličky.
- o Zaskrutkujte nastaviteľné nožičky hore k základni, aby ste zabránili ich poškodeniu.
- o Zaistite páskou uzatvorenie dvierok.
- o Zaistite, aby stál spotrebič počas prepravy vo zvislej polohe. Aby ste tiež zabránili poškodeniu vonkajšieho plášťa, obalte spotrebič dekou alebo podobnou látkou.

■ VÝPADOK DODÁVKY ELEKTRICKEJ ENERGIE

- o Ak dôjde pri spotrebiči k výpadku dodávky elektrickej energie, dokáže niekoľko hodín udržiavať teplotu vnútri skrinky. Za predpokladu, že je minimalizovaný počet otvárania dvierok.
- o Ak je výpadok dlhší, než niekoľko hodín, budete potrebovať uložiť obsah na iné miesto, aby nedošlo k jeho znehodnoteniu zvýšením teploty.

DÔLEŽITÉ: Ak je spotrebič odpojený od sieťového napájania, dôjde k výpadku napájania alebo spotrebič vypnete, musíte pred jeho opätovným zapnutím 5 minút počkať. Ak sa ho pokúsíte opäť zapnúť pred uplynutím tohto času, môže dôjsť k poškodeniu kompresora.

■ DOVOLENKA

Krátka dovolenka: V prípade dovolenky, ktorá je kratšia než 3 týždne, ponechajte vinotéku v prevádzke.

Dlhá dovolenka:

- o Ak nebudete váš spotrebič používať dlhší čas, mali by ste fľaše s vínom vybrať a spotrebič vypnúť.
- o Vnútorne priestory by ste mali očistiť pomocou roztoku jedlej sódy a vlažnej vody.
- o Vnútorne priestory by ste potom mali dôkladne vysušiť.
- o Aby nedošlo k rastu plesní, ponechajte dvierka mierne pootvorené.

■ ODPOJENIE NAPÁJANIA

- o Ak je spotrebič odpojený od sieťového napájania alebo ak dôjde k výpadku napájania, musíte pred opätovným spustením spotrebiča 5 minút počkať. Ak sa pokúsíte vinotéku opäť spustiť pred uplynutím 5 minút, môže dôjsť k jej poruche.

RIEŠENIE PROBLÉMOV

Ak sa vám zdá, že spotrebič nefunguje správne, skúste pred tým, než zavoláte do servisu, pomocou nasledujúcich pokynov skúsiť problém vyriešiť sami.

Č.	PROBLÉM	MOŽNÁ PRÍČINA PROBLÉMU/OPATRENIE
1	Vinotéka nefunguje	Spotrebič nie je pripojený k sieti. Spotrebič je vypnutý. Bol aktivovaný istič alebo je vypálená poistka.
2	Vinotéka nedostatočne chladí.	Skontrolujte nastavenie teploty. Teplota okolitého prostredia môže vyžadovať vyššie nastavenie. Dvierka sa veľmi často otvárajú. Dvierka nie sú celkom dovreté. Tesnenie dvierok riadne netesní.
3	Časté automatické zapnutie a vypnutie.	Teplota v miestnosti je vyššia, ako obvykle. Do vinotéky sa pridalo veľké množstvo položiek. Dvierka sa veľmi často otvárajú. Dvierka nie sú celkom dovreté. Ovládač teploty nie je správne nastavený. Tesnenie dvierok riadne netesní.
4	Nefunguje osvetlenie.	Spotrebič nie je pripojený k sieti. Bol aktivovaný istič alebo je vypálená poistka. Osvetlenie je vypnuté. Ohľadom opravy a výmeny kontaktujte servisné stredisko.
5	Veľmi veľké vibrácie.	Kontrolou sa uistite, či je spotrebič vyrovnaný. Kontrolou sa uistite, či vo vnútri skrinky alebo v komore kompresora nie sú žiadne uvoľnené diely.
6	Vinotéka sa zdá byť veľmi hlučná.	Drncivý zvuk môže byť spôsobený prúdením chladiva. Ide o normálny jav. Na konci každého cyklu začujete bublajúci zvuk, ktorý je spôsobený prúdením chladiva. Sťahovanie a rozširovanie vnútorných stien môže spôsobovať praskavý alebo pukavý zvuk. Spotrebič nie je vyrovnaný.
7	Dvierka sa správne nezatvárajú.	Vinotéka nie je vyrovnaná. Zmena smeru otvárania dvierok sa vykonalo nesprávne. Tesnenie je znečistené. Poličky sú nesprávne umiestnené.
8	Na displeji sa zobrazuje „HH“ alebo „LL“ namiesto digitálnej číslice, a/alebo sa ozýva nepretržitý zvukový signál.	Porucha teplotnej sondy.

ZMENA SMERU OTVÁRANIA DVIEROK

Poznámky:

- Nasledujúce operácie sú k dispozícii len pre model s ovládacími prvkami vo vnútri a s nainštalovaným pravým závesom dvierok.
- Všetky vybrané diely vám odporúčame uložiť pre prípad opätovného zmenu smeru otvárania dvierok.

■ PRE PW 38 GDFB S OVLÁDACÍMI PRVKAMI VO VNÚTRI

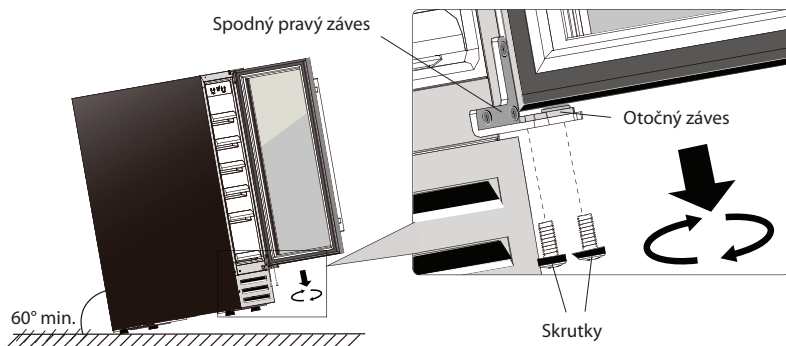
- Spotrebič je s ľavými a pravými dvierkami a nie je potrebné robiť zmenu smeru otvárania dvierok.

■ PRE PW 17 GDFB/PW 32 GD/PW 46 GDFB OVLÁDACIE PRVKY VO VNÚTRI

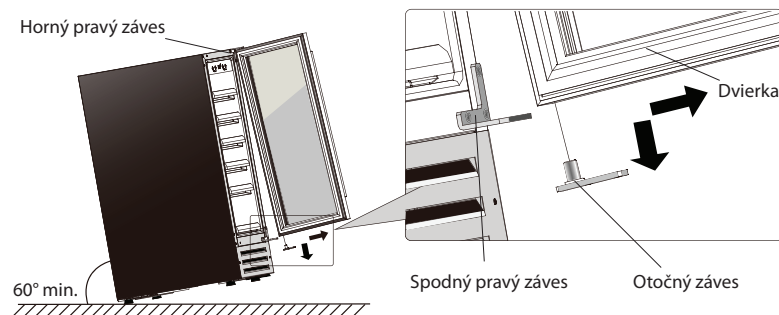
Poznámky:

- Ak chcete zmeniť dvierka z pravého závesu na ľavý záves, musíte si pripraviť 2 nové náhradné diely: **ľavý horný záves** a **ľavý spodný záves**.
- Všetky vybrané diely vám odporúčame uložiť pre prípad opätovného zmenu smeru otvárania dvierok.

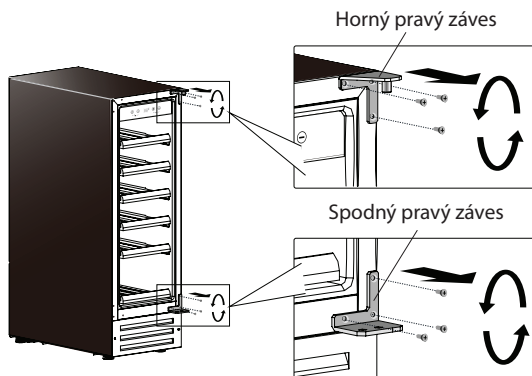
1. Otvorte dvierka a uvoľnite 2 skrutky z otočného závesu spodného pravého závesu.



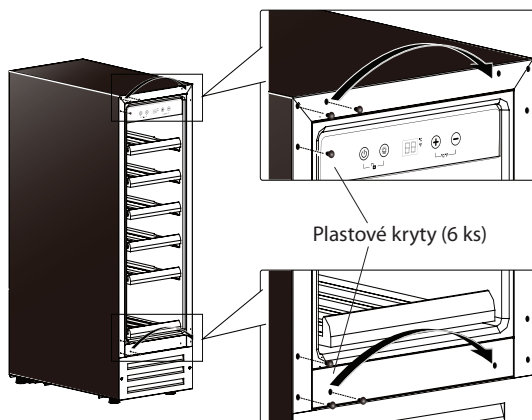
2. Opatrne vyberte dvierka z horného pravého závesu a dávajte pozor, aby ste ich nepoškrabali. Vyberte otočný záves z otvoru závesu dvierok.



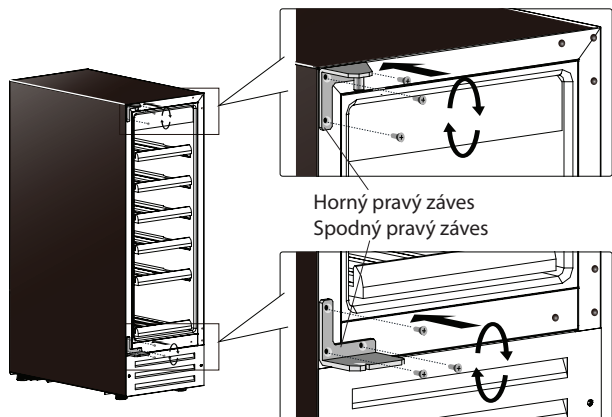
- 3.** Odskrutkujte horný pravý záves a spodný pravý záves zo skrinky. Odložte si ich pre opätovnú inštaláciu dvierok.



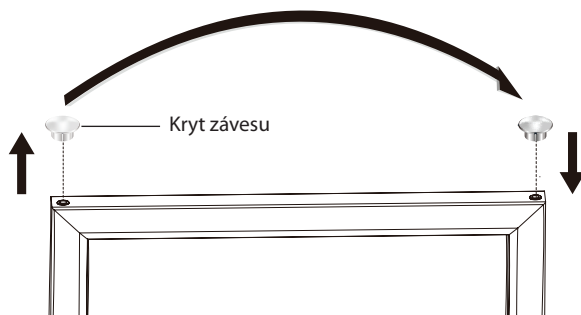
- 4.** Vyberte 6 plastových krytov v ľavom prednom rohu skrinky. A premiestnite ich všetky na pravú stranu.



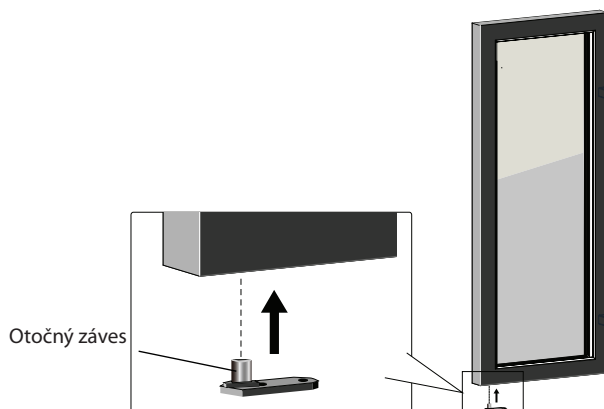
5. Nainštalujte horný ľavý záves a spodný ľavý záves na ľavú stranu spotrebiča. Uistite sa, či sú skrutky dotiahnuté.



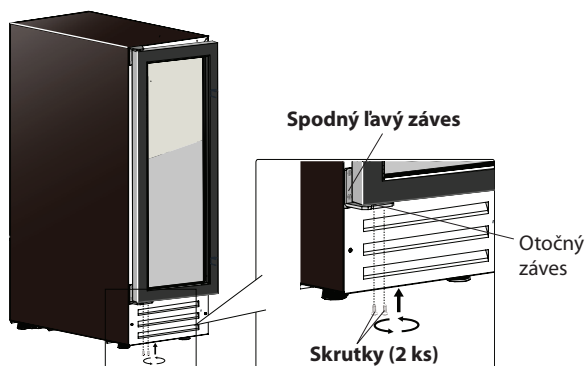
6. Presuňte kryt závesu (v hornej časti dvierok) z ľavej strany na pravú stranu.



7. Vložte otočný záves do otvoru spodného závesu dveriek.




8. Nainštalujte dverka na ľavý záves a utiahnite otočný záves pomocou 2 skrutiek.

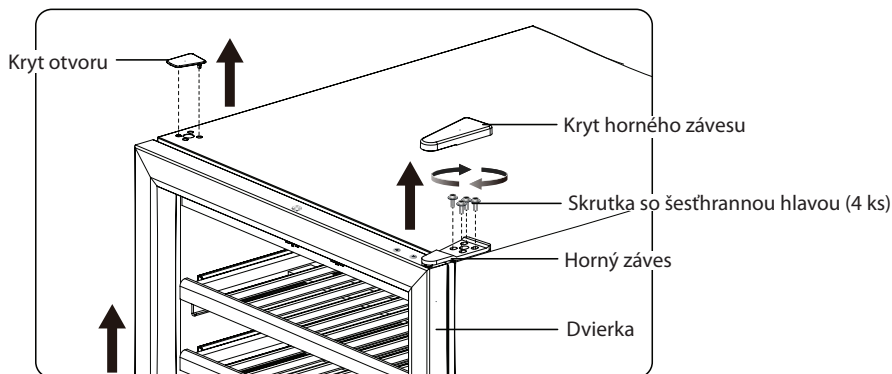


■ PRE PW 166 GD S OVLÁDACÍMI PRVKAMI VO VNÚTRI

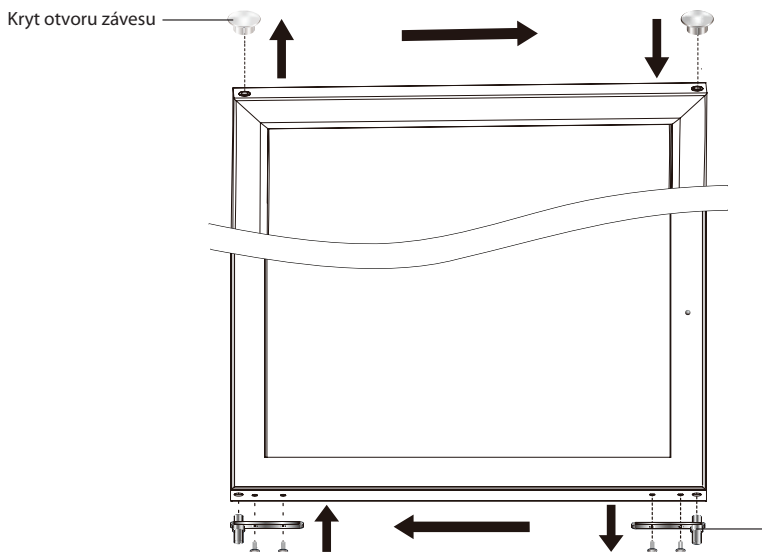
DŔLEŽITÉ INFORMÁCIE

Odporúčame vám, aby ste zaistili poličky na mieste pomocou lepiacej pásky, aby pri manipulácii so spotrebičom nedošlo k poškodeniu, a všetky odstránené diely starostlivo uschovajte.

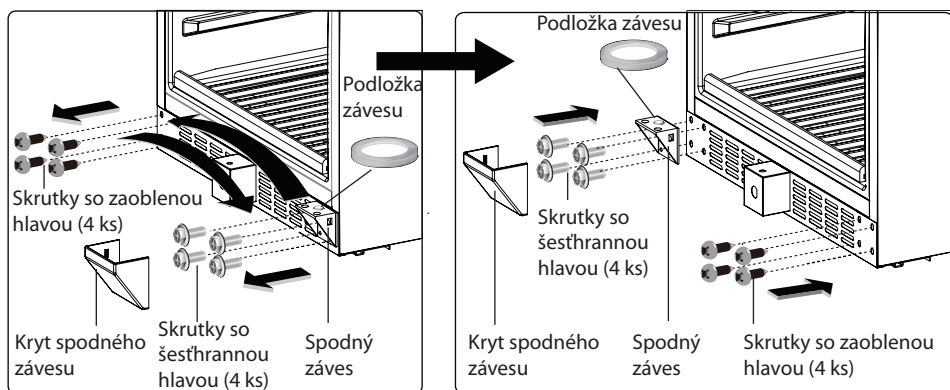
1. Pomocou plochého skrutkovača vyberte kryt otvoru a kryt horného závesu na hornej strane. Zložte horný záves odskrutkovaním skrutiek so šesťhrannou hlavou (4 ks). Teraz s vaším pomocníkom opatrne zdvihnite dvierka zo spodného závesu a opatrne ich položte nabok. Pre opätovnú inštaláciu je dôležité, aby podložka závesu  zostala v hornej časti spodného závesu.



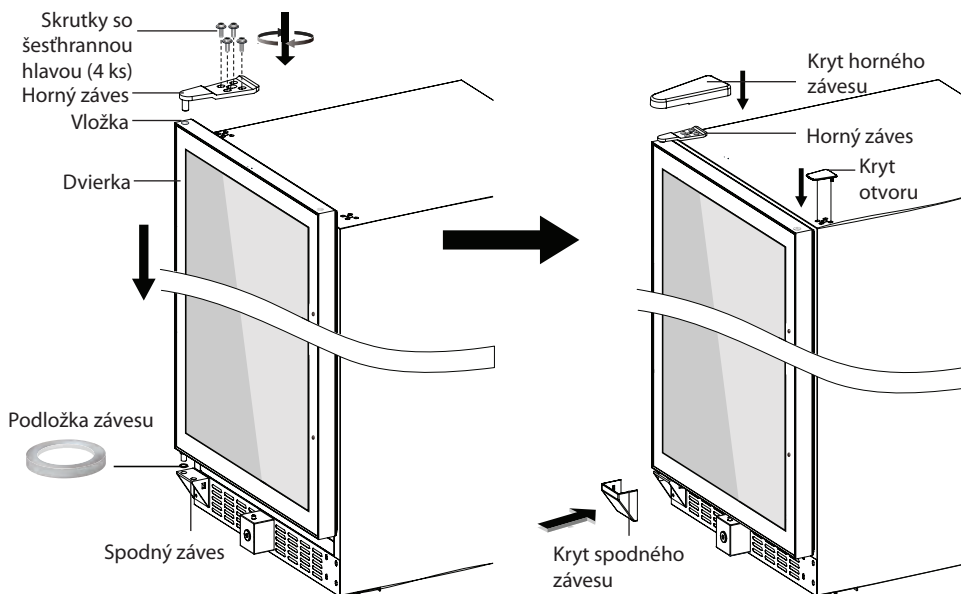
2. Presuňte kryt závesu (v hornej časti dvierok) z ľavej strany na pravú stranu. Presuňte otočný záves (v spodnej časti dvierok) sprava doľava.



- 3.** Zložte kryt spodného závesu opatrným vypáčením malým plochým skrutkovačom. Zložte spodný záves odskrutkovaním skrutiek so šesťhrannou hlavou (4 ks). Odskrutkujte z ľavej spodnej strany skrutky s valcovou zaoblenou hlavou (4 ks). Teraz posuňte spodný záves na ľavú spodnú stranu a pevne ho priskrutkujte pomocou skrutiek so šesťhrannou hlavou (4 ks). Premiestnite skrutky s valcovou zaoblenou hlavou (4 ks) k pravej spodnej strane a zaskrutkujte ich.



- 4.** Držte s pomocníkom pevne dverka a umiestnite ich na hornú časť spodného závesu; uistite sa, či je otočný záves na správnom mieste voči podložke závesu. Vložte kolík horného závesu do vložky na pravej hornej strane a pripevnite ho pomocou skrutiek so šesťhrannou hlavou (4 ks). Zakryte horný záves a spodný záves krytom horného a krytom spodného závesu. Zakryte otvory pre skrutky závesu na pravej hornej strane pomocou krytky otvoru.



Informačný list

PHILCO 

DELEGOVANÉ NARIADENIE KOMISIE (EÚ) 2019/2016

Názov alebo ochranná známka výrobcu: PHILCO

Adresa výrobcu: PHILCO, FAST ČR, a.s. U Sanitasu 1621 Říčany 251 01, Czech Republic

Identifikačná značka modelu: PW 17 GDFB

Typ chladiaceho zariadenia:

Spotrebič s nízkym hlukom:	Nie	Typ spotrebiča:	voľne stojaci
Zariadenie na skladovanie vína:	Áno	Ostatné chladiace spotrebiče:	Nie

Základné špecifikácie:

Parameter	Hodnota	Parameter	Hodnota	
Rozmery v mm	Výška	Celkový objem (dm ³ alebo l)	54	
	Šírka			295
	Hĺbka			570
Index energetickej účinnosti (EEI)	171	Trieda energetickej účinnosti*	G	
Akustický zvuk emisie hluku (dB(A) re 1 pW)	39	Trieda akustických emisií hluku	C	
Ročná spotreba energie (kWh/rok)	135	Klimatická trieda:	mierne, subtropické	
Minimálna okolitá teplota (°C), pre ktorú je chladiace zariadenie vhodné	16	Maximálna okolitá teplota (°C), pre ktorú je chladiace zariadenie vhodné	38	
Nastavenie spotrebiča na zimu	Nie			

Špecifikácia priestoru:

Typ priestoru	Parametre a hodnoty chladiaceho priestoru				
	Objem spotrebiča (dm ³ alebo l)	Odporúčené nastavenie teploty pre optimalizované skladovanie potravín (°C) Tieto nastavenia nesmú byť v rozpore s podmienkami skladovania stanovenými v tabuľke 3 prílohy IV	Mraziaca kapacita (kg/24h)	Typ odmrázovania: (auto-odmrázovanie = A, manuálne odmrázovanie = M)	
Komora/špajza	Nie	-	-	-	
Skladovanie vína	Áno	54	-	A	
Pivničný priestor	Nie	-	-	-	

Čerstvé potraviny	Áno	-	-	-	-
Mraziaci priestor	Nie	-	-	-	-
0-hviezdičiek alebo výrobnik ľadu	Nie	-	-	-	-
1-hviezdička	Nie	-	-	-	-
2-hviezdička	Nie	-	-	-	-
3-hviezdička	Nie	-	-	-	-
4-hviezdička	Nie	-	-	-	-
2-hviezdičkový priestor	Áno	-	-	-	-
Zásuvka s meniacou sa teplotou	-	-	-	-	-
Parametre svetelného zdroja:					
Typ svetelného zdroja			LED		
Trieda energetickej účinnosti osvetlenia			-		
Minimálna doba trvania záruky ponúkanej výrobcom: 24 mesiacov					
Dodatočné informácie:					
Webový odkaz na web výrobcu, kde sú informácie uvedené v bode 4 (a) prílohy nariadenia Komisie (EÚ) 2019/2022 nájdené: https://www.fastcr.cz/					

* A (najvyššia účinnosť) až G (najnižšia účinnosť)

Informačný list



DELEGOVANÉ NARIADENIE KOMISIE (EÚ) 2019/2016

Názov alebo ochranná známka výrobcu: PHILCO

Adresa výrobcu: PHILCO, FAST ČR, a.s. U Sanitatu 1621 Říčany 251 01, Czech Republic

Identifikačná značka modelu: PW 32 GD

Typ chladiaceho zariadenia:

Spotrebič s nízkym hlukom:	Nie	Typ spotrebiča:	voľne stojaci
Zariadenie na skladovanie vína:	Áno	Ostatné chladiace spotrebiče:	Nie

Základné špecifikácie:

Parameter	Hodnota	Parameter	Hodnota
Rozmery v mm	Výška	Celkový objem (dm ³ alebo l)	85
	Šírka		
	Hĺbka		
Index energetickej účinnosti (EEI)	171	Trieda energetickej účinnosti*	G
Akustický zvuk emisie hluku (dB(A) re 1 pW)	39	Trieda akustických emisií hluku	C
Ročná spotreba energie (kWh/rok)	139	Klimatická trieda:	mierne, subtropické
Minimálna okolitá teplota (°C), pre ktorú je chladiace zariadenie vhodné	16	Maximálna okolitá teplota (°C), pre ktorú je chladiace zariadenie vhodné	38
Nastavenie spotrebiča na zimu	Nie		

Špecifikácia priestoru:

Typ priestoru	Parametre a hodnoty chladiaceho priestoru				
	Objem spotrebiča (dm ³ alebo l)	Odporúčené nastavenie teploty pre optimalizované skladovanie potravín (°C) Tieto nastavenia nesmú byť v rozpore s podmienkami skladovania stanovenými v tabuľke 3 prílohy IV	Mraziaca kapacita (kg/24h)	Typ odmrázovania: (auto-odmrázovanie = A, manuálne odmrázovanie = M)	
Komora/špajza	Nie	-	-	-	-
Skladovanie vína	Áno	85	12	-	A
Pivničný priestor	Nie	-	-	-	-

Čerstvé potraviny	Áno	-	-	-	-
Mraziaci priestor	Nie	-	-	-	-
0-hviezdičiek alebo výrobnik ľadu	Nie	-	-	-	-
1-hviezdička	Nie	-	-	-	-
2-hviezdička	Nie	-	-	-	-
3-hviezdička	Nie	-	-	-	-
4-hviezdička	Nie	-	-	-	-
2-hviezdičkový priestor	Áno	-	-	-	-
Zásuvka s meniacou sa teplotou	-	-	-	-	-
Parametre svetelného zdroja:					
Typ svetelného zdroja	LED				
Trieda energetickej účinnosti osvetlenia	-				
Minimálna doba trvania záruky ponúkanej výrobcom: 24 mesiacov					
Dodatočné informácie:					
Webový odkaz na web výrobcu, kde sú informácie uvedené v bode 4 (a) prílohy nariadenia Komisie (EÚ) 2019/2022 nájdené: https://www.fastcr.cz/					

* A (najvyššia účinnosť) až G (najnižšia účinnosť)

Informačný list



DELEGOVANÉ NARIADENIE KOMISIE (EÚ) 2019/2016

Názov alebo ochranná známka výrobcu: PHILCO

Adresa výrobcu: PHILCO, FAST ČR, a.s. U Sanitasy 1621 Říčany 251 01, Czech Republic

Identifikačná značka modelu: PW 38 GDFB

Typ chladiaceho zariadenia:

Spotrebič s nízkym hlukom:	Nie	Typ spotrebiča:	voľne stojaci
Zariadenie na skladovanie vína:	Áno	Ostatné chladiace spotrebiče:	Nie

Základné špecifikácie:

Parameter	Hodnota	Parameter	Hodnota
Rozmery v mm	Výška	Celkový objem (dm ³ alebo l)	116
	Šírka		
	Hĺbka		
Index energetickej účinnosti (EEI)	170	Trieda energetickej účinnosti*	G
Akustický zvuk emisie hluku (dB(A) re 1 pW)	40	Trieda akustických emisií hluku	C
Ročná spotreba energie (kWh/rok)	142	Klimatická trieda:	mierne, subtropické
Minimálna okolitá teplota (°C), pre ktorú je chladiace zariadenie vhodné	16	Maximálna okolitá teplota (°C), pre ktorú je chladiace zariadenie vhodné	38
Nastavenie spotrebiča na zimu	Nie		

Špecifikácia priestoru:

Typ priestoru	Parametre a hodnoty chladiaceho priestoru				
	Objem spotrebiča (dm ³ alebo l)	Odporúčené nastavenie teploty pre optimalizované skladovanie potravín (°C) Tieto nastavenia nesmú byť v rozpore s podmienkami skladovania stanovenými v tabuľke 3 prílohy IV	Mraziaca kapacita (kg/24h)	Typ odmrázovania: (auto-odmrázovanie = A, manuálne odmrázovanie = M)	
Komora/špajza	Nie	-	-	-	-
Skladovanie vína	Áno	116	-	-	A
Pivničný priestor	Nie	-	-	-	-

Čerstvé potraviny	Áno	-	-	-	-
Mraziaci priestor	Nie	-	-	-	-
0-hviezdičiek alebo výrobnik ľadu	Nie	-	-	-	-
1-hviezdička	Nie	-	-	-	-
2-hviezdička	Nie	-	-	-	-
3-hviezdička	Nie	-	-	-	-
4-hviezdička	Nie	-	-	-	-
2-hviezdičkový priestor	Áno	-	-	-	-
Zásuvka s meniacou sa teplotou	-	-	-	-	-
Parametre svetelného zdroja:					
Typ svetelného zdroja			LED		
Trieda energetickej účinnosti osvetlenia			-		
Minimálna doba trvania záruky ponúkanej výrobcom: 24 mesiacov					
Dodatočné informácie:					
Webový odkaz na web výrobcu, kde sú informácie uvedené v bode 4 (a) prílohy nariadenia Komisie (EÚ) 2019/2022 nájdené: https://www.fastcr.cz/					

* A (najvyššia účinnosť) až G (najnižšia účinnosť)

Informačný list



DELEGOVANÉ NARIADENIE KOMISIE (EÚ) 2019/2016

Názov alebo ochranná známka výrobcu: PHILCO

Adresa výrobcu: PHILCO, FAST ČR, a.s. U Sanitasy 1621 Říčany 251 01, Czech Republic

Identifikačná značka modelu: PW 46 GDFB

Typ chladiaceho zariadenia:

Spotrebič s nízkym hlukom:	Nie	Typ spotrebiča:	voľne stojaci
Zariadenie na skladovanie vína:	Áno	Ostatné chladiace spotrebiče:	Nie

Základné špecifikácie:

Parameter	Hodnota	Parameter	Hodnota
Rozmery v mm	Výška	Celkový objem (dm ³ alebo l)	135
	Šírka		
	Hĺbka		
Index energetickej účinnosti (EEI)	181	Trieda energetickej účinnosti*	G
Akustický zvuk emisie hluku (dB(A) re 1 pW)	40	Trieda akustických emisií hluku	C
Ročná spotreba energie (kWh/rok)	156	Klimatická trieda:	mierne, subtropické
Minimálna okolitá teplota (°C), pre ktorú je chladiace zariadenie vhodné	16	Maximálna okolitá teplota (°C), pre ktorú je chladiace zariadenie vhodné	38
Nastavenie spotrebiča na zimu	Nie		

Špecifikácia priestoru:

Typ priestoru	Parametre a hodnoty chladiaceho priestoru				
	Objem spotrebiča (dm ³ alebo l)	Odporúčené nastavenie teploty pre optimalizované skladovanie potravín (°C) Tieto nastavenia nesmú byť v rozpore s podmienkami skladovania stanovenými v tabuľke 3 prílohy IV	Mraziaca kapacita (kg/24h)	Typ odmrázovania: (auto-odmrázovanie = A, manuálne odmrázovanie = M)	
Komora/špajza	Nie	-	-	-	-
Skladovanie vína	Áno	135	-	-	A
Pivničný priestor	Nie	-	-	-	-

Čerstvé potraviny	Áno	-	-	-	-
Mraziaci priestor	Nie	-	-	-	-
0-hviezdičiek alebo výrobnik ľadu	Nie	-	-	-	-
1-hviezdička	Nie	-	-	-	-
2-hviezdička	Nie	-	-	-	-
3-hviezdička	Nie	-	-	-	-
4-hviezdička	Nie	-	-	-	-
2-hviezdičkový priestor	Áno	-	-	-	-
Zásuvka s meniacou sa teplotou	-	-	-	-	-
Parametre svetelného zdroja:					
Typ svetelného zdroja			LED		
Trieda energetickej účinnosti osvetlenia			-		
Minimálna doba trvania záruky ponúkanej výrobcom: 24 mesiacov					
Dodatočné informácie:					
Webový odkaz na web výrobcu, kde sú informácie uvedené v bode 4 (a) prílohy nariadenia Komisie (EÚ) 2019/2022 nájdené: https://www.fastcr.cz/					

* A (najvyššia účinnosť) až G (najnižšia účinnosť)

Informačný list



DELEGOVANÉ NARIADENIE KOMISIE (EÚ) 2019/2016

Názov alebo ochranná známka výrobcu: PHILCO

Adresa výrobcu: PHILCO, FAST ČR, a.s. U Sanitasy 1621 Říčany 251 01, Czech Republic

Identifikačná značka modelu: PW 166 GD

Typ chladiaceho zariadenia:

Spotrebič s nízkym hlukom:	Nie	Typ spotrebiča:	voľne stojaci
Zariadenie na skladovanie vína:	Áno	Ostatné chladiace spotrebiče:	Nie

Základné špecifikácie:

Parameter	Hodnota	Parameter	Hodnota
Rozmery v mm	Výška	Celkový objem (dm ³ alebo l)	418
	Šírka		
	Hĺbka		
Index energetickej účinnosti (EEI)	182	Trieda energetickej účinnosti*	G
Akustický zvuk emisie hluku (dB(A) re 1 pW)	40	Trieda akustických emisií hluku	C
Ročná spotreba energie (kWh/rok)	192	Klimatická trieda:	mierne
Minimálna okolitá teplota (°C), pre ktorú je chladiace zariadenie vhodné	16	Maximálna okolitá teplota (°C), pre ktorú je chladiace zariadenie vhodné	32
Nastavenie spotrebiča na zimu	Nie		

Špecifikácia priestoru:

Typ priestoru	Parametre a hodnoty chladiaceho priestoru				
	Objem spotrebiča (dm ³ alebo l)	Odporúčené nastavenie teploty pre optimalizované skladovanie potravín (°C) Tieto nastavenia nesmú byť v rozpore s podmienkami skladovania stanovenými v tabuľke 3 prílohy IV	Mraziaca kapacita (kg/24h)	Typ odmrzovania: (auto-odmrzovanie = A, manuálne odmrzovanie = M)	
Komora/špajza	Nie	-	-	-	-
Skladovanie vína	Áno	418	-	-	A
Pivničný priestor	Nie	-	-	-	-

Čerstvé potraviny	Áno	-	-	-	-
Mraziaci priestor	Nie	-	-	-	-
0-hviezdičiek alebo výrobnik ľadu	Nie	-	-	-	-
1-hviezdička	Nie	-	-	-	-
2-hviezdička	Nie	-	-	-	-
3-hviezdička	Nie	-	-	-	-
4-hviezdička	Nie	-	-	-	-
2-hviezdičkový priestor	Áno	-	-	-	-
Zásuvka s meniacou sa teplotou	-	-	-	-	-
Parametre svetelného zdroja:					
Typ svetelného zdroja			LED		
Trieda energetickej účinnosti osvetlenia			-		
Minimálna doba trvania záruky ponúkanej výrobcom: 24 mesiacov					
Dodatočné informácie:					
Webový odkaz na web výrobcu, kde sú informácie uvedené v bode 4 (a) prílohy nariadenia Komisie (EÚ) 2019/2022 nájdené: https://www.fastcr.cz/					

* A (najvyššia účinnosť) až G (najnižšia účinnosť)

TECHNICKÉ INFORMÁCIE

Technické informácie nájdete na typovom štítku na vnútornej strane spotrebiča a na energetickom štítku. QR kód na dodanom energetickom štítku obsahuje odkaz na registráciu spotrebiča v databáze EU Eprel. Odložte si energetický štítok, návod na obsluhu a ďalšie dokumenty dodané so spotrebičom.

INFORMÁCIE O TESTOVANÍ

Dodávaný spotrebič je v súlade s EcoDesignom a EN62552-1/-2/-3:2020, EN 60704-1:2010+A11:2012, EN 60704-2-14:2013+A11:2015+A1:2019. Súčasťou tohto návodu sú požiadavky na prístup vzduchu pre správnu funkciu spotrebiča, minimálna vzdialenosť od steny a rozmery spotrebiča. Ak máte ďalšie otázky, obráťte sa na výrobcu.

STAROSTLIVOSŤ A SLUŽBY ZÁKAZNÍKOM

Vždy používajte originálne náhradné diely.

Názov modelu a sériové číslo nájdete na typovom štítku. Pozícia typového štítku môže byť zmenená bez predchádzajúceho upozornenia.

Originálne náhradné diely pre niektoré konkrétne komponenty sú k dispozícii minimálne 7 alebo 10 rokov, v závislosti od typu komponentu, od uvedenia poslednej jednotky modelu na trh.

Ak sa chcete obrátiť na náš autorizovaný servis, pripravte si označenie modelu, sériové číslo a popis chyby.

Dokumenty môžete stiahnuť na www.philco.sk.

Ak chcete nahlásiť poruchu a získať ďalšie servisné informácie, navštívte stránku www.philco.sk/servisnemiesta.

Zmeny vyhradené.

POKYNY A INFORMÁCIE TÝKAJÚCE SA LIKVIDÁCIE POUŽITÝCH OBALOVÝCH MATERIÁLOV

Obalové materiály zlikvidujte na verejnom mieste pre likvidáciu odpadu.

LIKVIDÁCIA POUŽITÝCH ELEKTRICKÝCH A ELEKTRONICKÝCH SPOTREBIČOV



Význam symbolu na výrobku, jeho príslušenstve alebo obale znamená, že s týmto výrobkom nesmie byť zaobchádzané ako s komunálnym odpadom. Tento výrobok zlikviduje na príslušnom zbernom mieste pre recykláciu odpadu z elektrických a elektronických zariadení. Popríklad je možné v niektorých štátoch Európskej únie alebo iných európskych štátoch vrátiť svoje výrobky miestnemu predajcovi, v prípade kúpy podobného nového výrobku. Správna likvidácia tohto výrobku pomôže ušetriť cenné prírodné zdroje a pomôcť pri prevencii prípadného negatívneho vplyvu na životné prostredie a ľudské zdravie, ku ktorému by mohlo dôjsť v dôsledku nesprávnej likvidácie odpadu. Podrobnejšie informácie získate od miestneho úradu alebo v najbližšom stredisku pre zber odpadu. Nesprávna likvidácia tohto typu odpadu môže podliehať vnútroštátnym predpisom o pokutách.

Pre podnikateľské subjekty v Európskej únii

Ak chcete zlikvidovať elektrické alebo elektronické zariadenie, vyžiadajte si potrebné informácie od svojho predajcu alebo dodávateľa.

Likvidácia v iných štátoch mimo Európskej únie

Ak chcete zlikvidovať tento výrobok, vyžiadajte si nevyhnutné informácie o správnom spôsobe likvidácie od miestnych úradov alebo svojho predajcu.



Tento výrobok spĺňa všetky základné požiadavky nariadenia EÚ, ktoré sa naň vzťahujú..

Zmeny v texte, dizajne a technických údajoch sa môžu vyskytnúť bez predchádzajúceho upozornenia a vyhradujeme si právo vykonať tieto zmeny.

Originál tohto návodu na obsluhu je v českom jazyku.



VAROVANIE! POČAS POUŽÍVANIA, ÚDRŽBY A LIKVIDÁCIE SPOTREBIČA VENUJTE POZORNOSŤ SYMBOLOM PODOBNÝM AKO NA ĽAVEJ STRANE, KTORÉ SÚ UMIESTNENÉ NA ZADNEJ STRANE SPOTREBIČA (ZADNÝ PANEL ALEBO KOMPRESOR) A SÚ ŽLTEJ ALEBO ORANŽOVEJ FARBY.



JE TO VÝSTRAŽNÝ SYMBOL RIZIKA POŽIARU. V POTRUBIACH S CHLADIVOM A V KOMPRESORE SA NACHÁDZAJÚ HORĽAVÉ MATERIÁLY. POČAS POUŽÍVANIA, SERVISU A LIKVIDÁCIE BUĎTE PROSÍM ĎALEKO OD ZDROJA.

Chłodziarka do wina

INSTRUKCJA OBSŁUGI

PHILCO



Famous for Quality the World Over

PW 17 GDFB

PW 32 GD

PW 38 GDFB

PW 46 GDFB

PW 166 GD

**Szanowny Kliencie,
Dziękujemy za zakup produktu marki PHILCO. Aby Twoje urządzenie mogło Ci dobrze służyć,
przeczytaj wszystkie wskazówki zawarte w niniejszej instrukcji obsługi.**

SPIS TREŚCI

INSTRUKCJE BEZPIECZEŃSTWA.....	3
OPIS URZĄDZENIA I JEGO INSTALACJA	7
INSTALACJA AKCESORIÓW PRZED UŻYCIEM PRODUKTU	12
OBSŁUGA WITRYNY	13
KONSERWACJA.....	20
ROZWIĄZYWANIE PROBLEMÓW.....	23
ZMIANA KIERUNKU OTWIERANIA DRZWI	24
ARKUSZ INFORMACYJNY	30



Urządzenie zostało przetestowane zgodnie z obowiązującymi dyrektywami Unii Europejskiej.
Urządzenie jest zgodne z przepisami bezpieczeństwa dotyczącymi urządzeń elektrycznych w Unii Europejskiej.

SZANOWNY KLIENCIE:

Dziękujemy Ci za zakup naszej lodówki. Aby osiągnąć jak najlepsze efekty podczas używania tego urządzenia, przeczytaj tę instrukcję obsługi.

Upewnij się, że materiały opakowania zostały zlikwidowane zgodnie z aktualnymi wymaganiami związanymi z ochroną środowiska.

Podczas likwidacji każdego urządzenia chłodzącego skontaktuj się a lokalnym urzędem do spraw likwidacji odpadów, gdzie uzyskasz informacje dotyczące bezpiecznej likwidacji.

Urządzenia można używać jedynie zgodnie z celem przeznaczenia.

UWAGA:

Urządzenia nie mogą używać małe dzieci lub osoby starsze bez nadzoru. Pilnuj małych dzieci, by nie bawiły się urządzeniem.

INSTRUKCJE BEZPIECZEŃSTWA

TO URZĄDZENIE JEST PRZEZNACZONE DO UŻYTKU PRZEZ DZIECI W WIEKU 8 LAT I STARSZE ORAZ OSOBY O OGRANICZONYCH ZDOLNOŚCIACH FIZYCZNYCH, SENSORYCZNYCH LUB UMYSŁOWYCH LUB BEZ DOŚWIADCZENIA I WIEDZY, POD WARUNKIEM, ŻE SĄ ONE POD NADZOREM LUB ZOSTAŁY POINSTRUOWANE O KORZYSTANIU Z URZĄDZENIA W BEZPIECZNY SPOSÓB I ZROZUMIAŁY ZWIĄZANE Z TYM NIEBEZPIECZEŃSTWA.

DZIECI NIE MOGĄ BAWIĆ SIĘ URZĄDZENIEM. CZYSZCZENIE I KONSERWACJA NIE MOGĄ BYĆ WYKONYWANE PRZEZ DZIECI BEZ NADZORU. DZIECI W WIEKU OD 3 DO 8 LAT MOGĄ WKŁADAĆ I WYJMOWAĆ ŻYWNOSĆ Z URZĄDZEŃ CHŁODNICZYCH.

JEŚLI PRZEWÓD ZASILAJĄCY JEST USZKODZONY, NALEŻY GO WYMIENIĆ W WYKWALIFIKOWANYM CENTRUM SERWISOWYM, ABY UNIKNĄĆ ZAGROŻENIA. ZABRANIA SIĘ UŻYWANIA URZĄDZENIA Z USZKODZONYM PRZEWODEM ZASILAJĄCYM.



NAPEŁNIAJ TYLKO KOSTKARKI DO LODU, KTÓRE NIE SĄ PRZEZNACZONE DO PODŁĄCZENIA DO SIECI WODOCIĄGOWEJ, WODĄ PITNĄ.



OTWORY WENTYLACYJNE W OBUDOWIE URZĄDZENIA LUB W JEGO KONSTRUKCJI MUSZĄ BYĆ WOLNE.



W CELU PRZYSPIESZENIA PROCESU ROZMRAŻANIA NIE NALEŻY UŻYWAĆ URZĄDZEŃ MECHANICZNYCH ANI ŚRODKÓW INNYCH NIŻ ZALECANE PRZEZ PRODUCENTA.



NIE USZKODZIĆ UKŁADU CHŁODZENIA.



NIE UŻYWAJ URZĄDZEŃ ELEKTRYCZNYCH W OBSZARZE PRZECHOWYWANIA ŻYWNOSCI, CHYBA ŻE SĄ TO TYPY ZALECANE PRZEZ PRODUCENTA.

W TYM URZĄDZENIU NIE NALEŻY PRZECHOWYWAĆ SUBSTANCJI WYBUCHOWYCH, TAKICH JAK ŁATWOPALNE PROPELENTY W AEROZOLU.

TO URZĄDZENIE JEST PRZEZNACZONE WYŁĄCZNIE DO UŻYTKU DOMOWEGO A NIE W POMIESZCZENIACH, TAKICH JAK:

- ANEKSY KUCHENNE W SKLEPACH, BIURACH I INNYCH MIEJSCACH PRACY;
- URZĄDZENIA UŻYWANE PRZEZ GOŚCI W HOTELACH, MOTELACH I INNYCH MIEJSCACH ZAMIESZKANIA;
- URZĄDZENIA UŻYWANE W OBIEKTACH TYPU BED AND BREAKFAST;
- URZĄDZENIA UŻYWANE W GASTRONOMII I PODOBNYCH ŚRODOWISKACH NIENADAJĄCYCH SIĘ NA SPRZEDAŻ.



PODŁĄCZAJ TYLKO KOSTKARKI DO LODU PRZEZNACZONE DO PODŁĄCZENIA WODY DO ŹRÓDŁA WODY PITNEJ.



URZĄDZENIE NALEŻY ZAMONTOWAĆ ZGODNIE Z INSTRUKCJĄ, ABY UNIKNĄĆ NIEBEZPIECZEŃSTWA ZWIĄZANEGO Z JEGO NIESTABILNOŚCIĄ.



ISO 7000-1701 (2004-01) WSKAZUJE MEDIUM POD CIŚNIENIEM.



ZAGROŻENIE POŻAROWE / MATERIAŁY ŁATWOPALNE!



UKŁAD CHŁODZENIA ZAWIERA CZYNNIK CHŁODNICZY POD WYSOKIM CIŚNIENIEM. NIE MANIPULUJ SYSTEMEM. MOŻE BYĆ NAPRAWIONY TYLKO PRZEZ WYKWALIFIKOWANĄ OSOBĘ.

R600A

ZAWIERA CZYNNIK CHŁODNICZY IZOBUTAN, KTÓRY JEST ŁATWOPALNY. NALEŻY UNIKAĆ USZKODZENIA ELEMENTÓW UKŁADU CHŁODNICZEGO PODCZAS TRANSPORTU I INSTALACJI URZĄDZENIA.



USTAWIAJĄC URZĄDZENIE, UPEWNIJ SIĘ, ŻE ZASILACZ NIE JEST ZABLOKOWANY LUB USZKODZONY.



NIE UMIESZCZAJ WIELU PRZENOŚNYCH GNIAZDEK ANI PRZENOŚNYCH PRZEDŁUŻACZY Z TYŁU URZĄDZENIA.

INNE ZALECENIA / INSTALACJA

BEZPIECZEŃSTWO ELEKTRYCZNE:

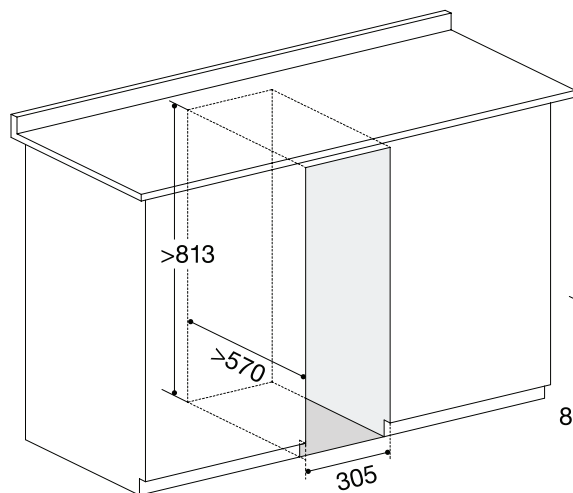
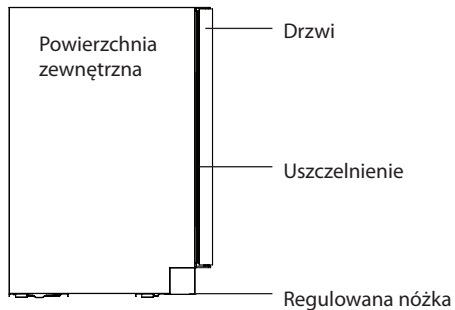
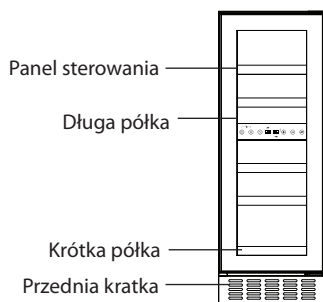
- NIE WOLNO PRZEDŁUŻAĆ PRZEWODU ZASILAJĄCEGO.
- UPEWNIJ SIĘ, ŻE WTYCZKA PRZEWODU ZASILAJĄCEGO NIE JEST USZKODZONA, MOŻE TO SPOWODOWAĆ PRZEGRZANIE I POŻAR.
- USTAWIAJĄC URZĄDZENIE, UPEWNIJ SIĘ, ŻE PRZEWÓD ZASILAJĄCY NIE JEST PRZYCIĘTY LUB USZKODZONY.
- NIE UMIESZCZAJ WIELU PRZENOŚNYCH GNIAZDEK ANI PRZENOŚNYCH PRZEDŁUŻACZY Z TYŁU URZĄDZENIA.
- URZĄDZENIE NIE MOŻE STAĆ NA PRZEWODZIE ZASILAJĄCYM.
- URZĄDZENIA NIE WOLNO UMIESZCZAĆ W WILGOTNYM ŚRODOWISKU, PRZEWÓD ZASILAJĄCY NIE MOŻE LEŻEĆ W WODZIE.
- UPEWNIJ SIĘ, ŻE MASZ SWOBODNY DOSTĘP DO WTYCZKI URZĄDZENIA.
- NIE CIĄGNIJ ZA PRZEWÓD ZASILAJĄCY.
- NIE PODŁĄCZAJ WTYCZKI DO LUŻNEGO GNIAZDKA ELEKTRYCZNEGO. ISTNIEJE RYZYKO PORĄŻENIA PRĄDEM LUB POŻARU.
- NIE UŻYWAJ TEGO URZĄDZENIA BEZ WEWNĘTRZNEJ OSŁONY OŚWIETLENIA.
- LODÓWKA JEST ZAPROJEKTOWANA DO ZASILANIA TYLKO JEDNĄ FAZĄ PRĄDU PRZEMIENNEGO O WARTOŚCIACH 220 - 240V / 50 HZ. ZE WZGLĘDÓW BEZPIECZEŃSTWA W LODÓWCE NALEŻY STOSOWAĆ AUTOMATYCZNY REGULATOR NAPIĘCIA O MOCY PONAD 350 W, JEŚLI WAHANIA NAPIĘCIA W MIEJSCU ZAMIESZKANIA UŻYTKOWNIKA SĄ TAK DUŻE, ŻE PRZEKRACZAJĄ OKREŚLONE LIMITY.
- WTYCZKA MUSI ODPOWIADAĆ GNIAZDU ZE STYKIEM UZIEMIAJĄCYM.

OPIS URZĄDZENIA I JEGO INSTALACJA

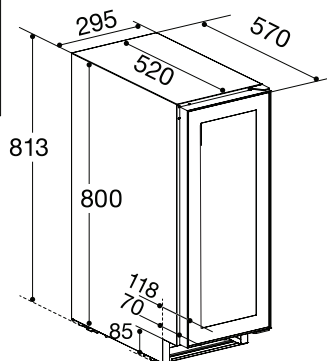
Poniższe rysunki pokazują jedynie opis urządzenia. Rozmiar i ilość półek mogą się różnić między modelami tej samej serii.

■ PW 17 PW 17 GDFB Z ELEMENTAMI STEROWANIA WEWNĄTRZ

Strefa podwójna **17** butelek

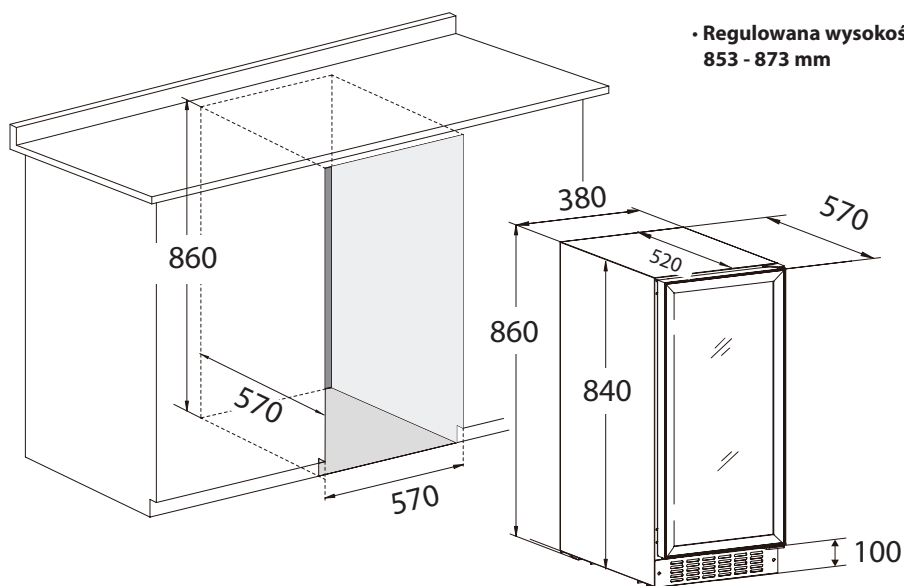
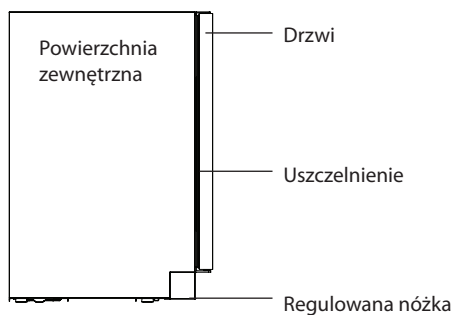
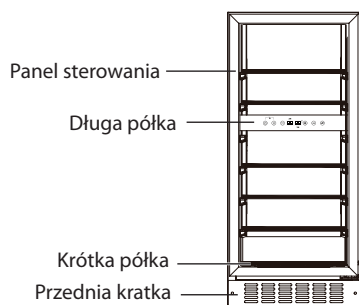


• Regulowana wysokość:
813 - 845 mm



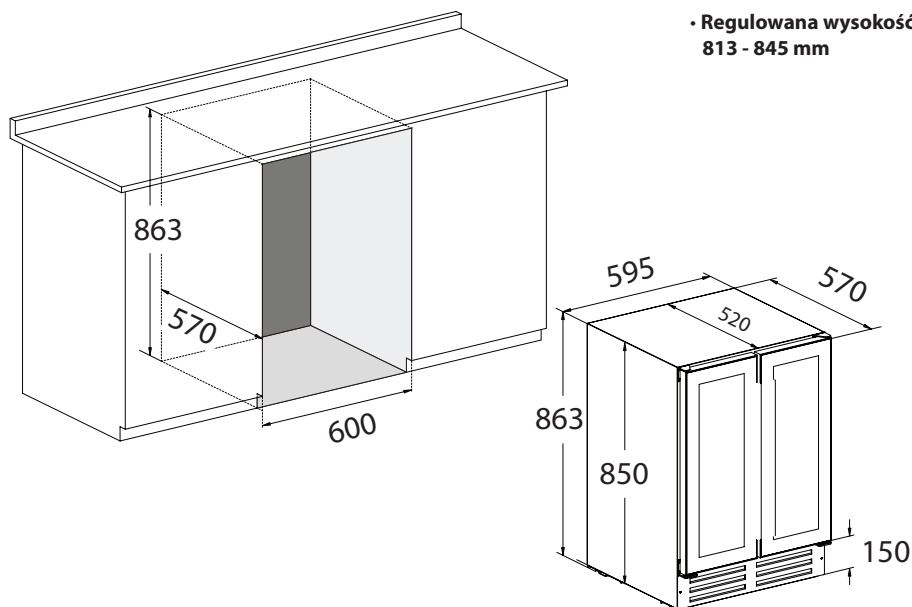
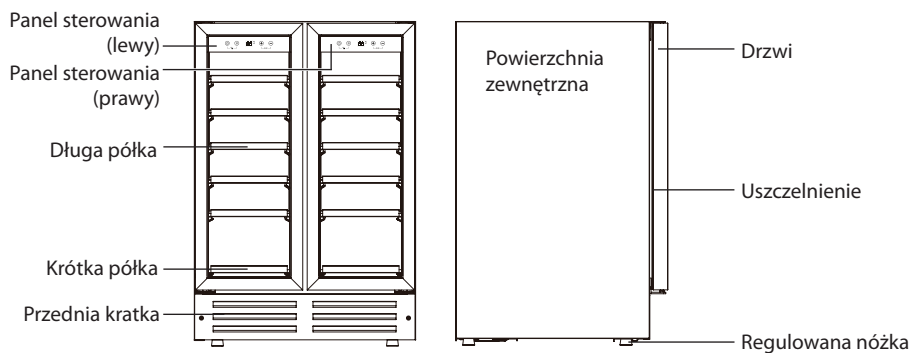
■ PW 32 GD Z ELEMENTAMI STEROWANIA WEWNĄTRZ

Strefa podwójna 32 butelki



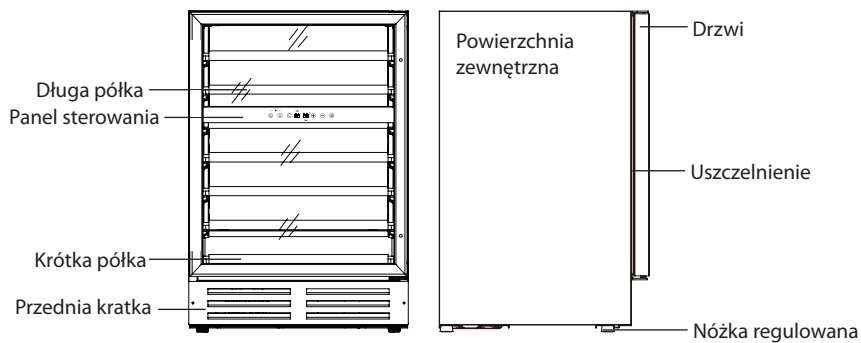
■ PW 38 GDFB Z ELEMENTAMI STEROWANIA WEWNĄTRZ

Strefa podwójna **38** butelki

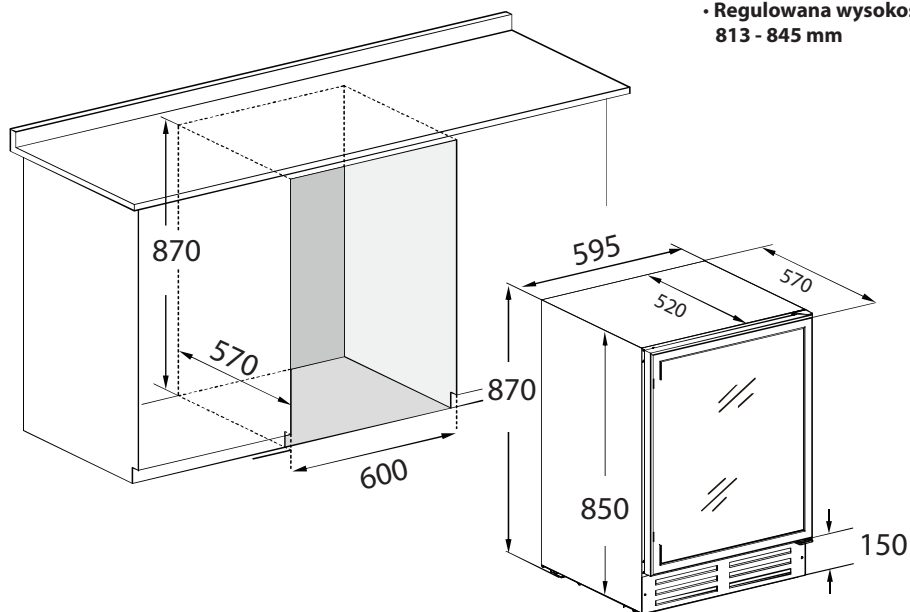


■ PW 46 GDFB Z ELEMENTAMI STEROWANIA WEWNĄTRZ - WYSOKOŚĆ: 86,3 CM

Strefa podwójna 46 butelek

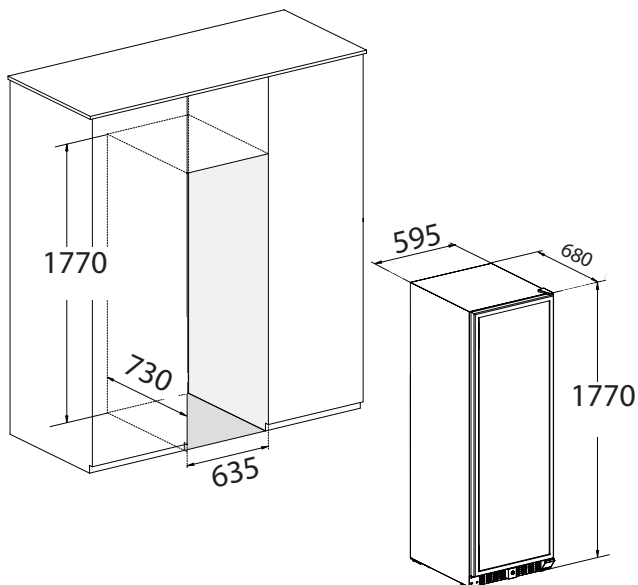
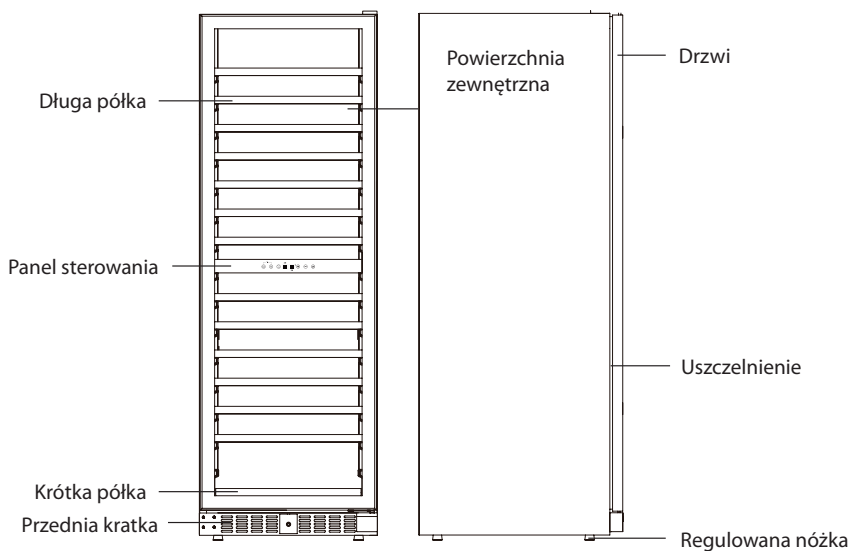


• Regulowana wysokość:
813 - 845 mm



■ PW 166 GD Z ELEMENTAMI STEROWANIA WEWNĄTRZ

Strefa podwójna **166** butelek



INSTALACJA AKCESORIÓW PRZED UŻYCIEM PRODUKTU

■ ROZPAKOWANIE I CZYSZCZENIE WITRYNY

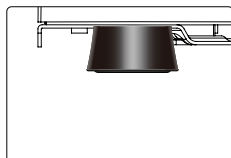
- Usunąć zewnętrzne i wewnętrzne materiały opakowania.
- Przed podłączeniem do źródła energii zostawić urządzenie około 24 godzin w pozycji pionowej, aby zminimalizować ryzyko awarii systemu chłodniczego w wyniku manipulacji podczas transportu.
- Za pomocą delikatnej ściereczki wyczyścić powierzchnię wewnętrzną urządzenia letnią wodą.

WAŻNE: Przednia kratka na podstawie urządzenia przeznaczona jest do wentylacji. Przed tą przednią kratką nie ustawiaj żadnych przedmiotów, w przeciwnym razie urządzenie może nie działać poprawnie.

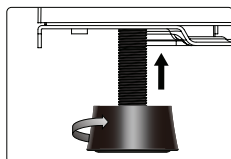
- Do przedniej części otworów wentylacyjnych podstawy można przymocować ozdobną podstawę – w nim należy zrobić wycięcie większe od przedniej żaluzji. Wycięcia tego wymaga się bez względu na to, czy przednia żaluzja jest usunięta czy nie.

■ USTAWIENIE WYSOKOŚCI I WYRÓWNANIE WITRYNY

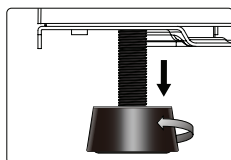
- To urządzenie jest wyposażone w regulowane nóżki, dzięki którym jego wysokość możesz ustawić tak, aby witryna była wypoziomowana nawet na nierównej podłodze.
- Polecamy, aby tę operację wykonywały dwie osoby.
- Wysokość należy ustawić przed zabudowaniem urządzenia do mebli a wysokość powinna być ustawiona tak, aby górny panel urządzenia wszedł dokładnie pod blat kuchenny.



- Przechylić urządzenie o około 60°, aby uzyskać dostęp do regulowanych nóżek.
- Zapewnić stałe podparcie urządzenia.



- Dokręcić nóżkę do odpowiedniej pozycji, aby wyrównać witrynę.



- Powtórzyć te kroki przy kolejnych regulowanych nóżkach.

WAŻNE: Jeśli urządzenie nie jest wyrównane, może to mieć negatywny wpływ na drzwi i uszczelnienie drzwi.

WAŻNE: Nie przemieszczaj urządzenia, którego nóżki są wysoko wysunięte.

■ ODBLOKOWANIE I ZABLOKOWANIE DRZWI (FUNKCJA OPCJONALNA)

- Blokada jest funkcją dodatkową. Jeśli twoja witryna jest w nią wyposażona, w opakowaniu tej instrukcji znajdziesz klucz.
- Włóż klucz do zamka i obróć go odwrotnie do ruchu wskazówek zegara, aby odblokować drzwi. Aby zablokować drzwi, obróć klucz zgodnie z ruchem wskazówek zegara. Klucz przechowuj w odpowiednim miejscu.

OBSŁUGA WITRYNY

■ KLASA KLIMATYCZNA

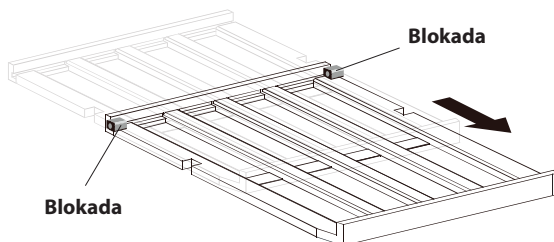
- To urządzenie jest zaprojektowane do pracy w klasie klimatycznej SN do N (zobacz poniższą tabelę klas klimatycznych). Polecamy utrzymywanie temperatury otoczenia 22 - 25 °C, przy której urządzenie ma niskie zużycie energii.

Klasa klimatyczna	Temperatura w pomieszczeniu
SN	10 - 32 °C (50 °F - 90 °F)
N	16 - 32 °C (61 °F - 90 °F)
ST	16 - 38 °C (64.4 °F - 100 °F)
T	16 - 43 °C (64.4 °F - 109 °F)

- Jeśli temperatura otoczenia jest niższa lub wyższa, niż zaproponowany zakres klimatyczny, może to wpłynąć na wydajność urządzenia. Na przykład przy pracy urządzenia w ekstremalnie zimnym lub ciepłym otoczeniu może dochodzić do wahań temperatur a w niektórych przypadkach może być niemożliwe osiągnięcie temperatury 5-22 °C.

■ PRZECHOWYWANIE WINA

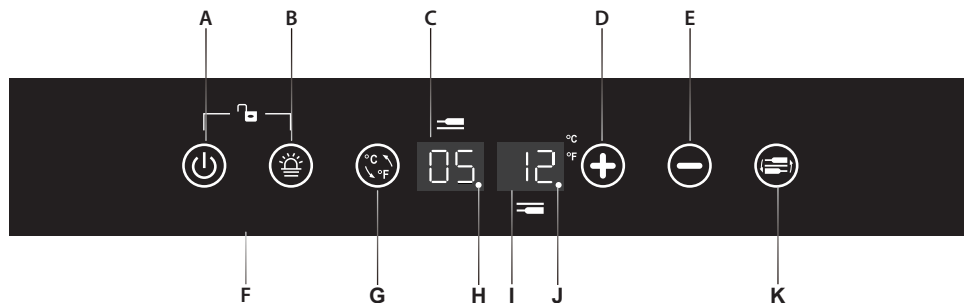
- Standardowe półki są zaprojektowane do idealnego przechowywania butelek Bordeaux. Maksymalna ilość przechowywanych butelek może się różnić zależnie od różnych rozmiarów przechowywanych butelek z winem.
- Półki można wyciągnąć na około 1/3 długości, aby ułatwić dostęp do przechowywanego wina.



- Aby nie doszło do uszkodzenia uszczelki drzwicowej, zapewnij, aby przed wyciągnięciem półek drzwiczki były całkowicie otwarte.
- Wino przechowuj w zamkniętych butelkach.
- Nie przykrywaj półek folią aluminiową ani innym podobnym materiałem, który mógłby blokować przepływ powietrza.
- Jeśli witryna przez dłuższy czas będzie pusta, polecamy odłączenie urządzenia a po starannym wyczyszczeniu zostaw uchylone drzwiczki, aby wewnątrz mogło przepływać powietrze. Zapobiega to ewentualnej kondensacji, tworzeniu pleśni i brzydkich zapachów.
- Polecane temperatury chłodzenia/przechowywania wina.

Typ wina	Polecana temperatura
Czerwone wino	15 - 18 °C (59 °F - 64 °F)
Wytrawne/ białe wino	9 - 14 °C (48 °F - 57 °F)
Różowe wino	10 - 11 °C (50 °F - 52 °F)
Wino musujące	5 - 8 °C (41 °F - 46 °F)

■ PANEL STEROWANIA (ELEMENTY STEROWANIA WEWNĄTRZ)



A. Zasilanie	B. Światło	C. Wyświetlanie w górnej strefie	D. Zwiększanie temperatury	E. Zmniejszanie temperatury	
F. Blokowanie/Odblokowanie	G. Przełącznik °C/°F	H. Wskaźnik funkcji ¹	I. Wyświetlanie w dolnej strefie	J. Wskaźnik funkcji ²	K. Wybór strefy

■ WŁĄCZENIE/WYŁĄCZENIE ZASILANIA

- Po podłączeniu urządzenia do gniazdka elektrycznego zasilanie włączy się automatycznie.
- Aby wyłączyć (lub włączyć) urządzenie dotknij symbolu zasilania (⏻) i przytrzymaj go **10 sekund**.
- Bez względu na stan blokady możesz wyłączyć urządzenie dotykając symbolu zasilania (⏻) i przytrzymując go **10 sekund**.



Ostrzeżenie: Aby nie doszło do uszkodzenia kompresora, nie włączaj urządzenia ponownie przez 5 minut po jego wyłączeniu.

■ ODBLOKOWANIE PANELU STEROWANIA

- Aby odblokować panel sterowania dotknij symbolu zasilania i symbolu oświetlenia (🔒) 2 palcami równocześnie i przytrzymaj przez **3 sekundy**. Po odblokowaniu usłyszysz sygnał dźwiękowy.
- Panel sterowania automatycznie się zablokuje i zabrzmi sygnał dźwiękowy po upływie **10 sekund** w czasie których nikt go nie dotykał.
- W stanie blokady panel sterowania nie reaguje na dotyk na włączenie/wyłączenie oświetlenia ani ustawienie temperatury.

■ WŁĄCZANIE/WYŁĄCZANIE WEWNĘTRZNEGO OŚWIETLENIA

- W stanie blokady dotknij symbolu oświetlenia (💡) aby włączyć (lub wyłączyć) wewnętrzne oświetlenie LED.
- Oświetlenie zostanie włączone, dopóki nie wyłączysz go manualnie..

■ WYŚWIETLANIE TEMPERATURY

- Temperatura wyświetla się cyfrowo, aby była dobrze widoczna i łatwo dostępna. Podczas ustawiania temperatury cyfrowy wyświetlacz pokazuje ustawioną temperaturę.
- Gdy czujnik temperatury jest zepsuty, na wyświetlaczu zamiast cyfr pojawi się „HH” lub „LL” i będzie brzmieć nieprzerwany dźwiękowy sygnał. Jeśli nastanie taka sytuacja, urządzenie będzie dzięki przemyślanemu projektowi regularnie uruchamiać kompresor i wentylatory, aby utrzymać chłód wewnątrz witryny i ochronić przechowywane wino.



Ostrzeżenie: Aby nie doszło do zepsucia przechowywanego wina, stanowczo polecamy, aby urządzenie zostało jak najszybciej naprawione, ponieważ zapasowa, okresowa praca urządzenia nie zapewni osiągnięcia temperatur, które ustawiono.

■ USTAWIANIE ZAKRESU TEMPERATUR

- Początkowe zakresy ustawiania temperatury to E: 5-12 °C (41-54 °F) dla górnej strefy i 12-22 °C (54-72 °F) dla dolnej strefy.
- Jeśli chcesz ustawić wymagany zakres temperatur, upewnij się, czy panel sterowania jest zablokowany.
- Naciśnij przycisk ⊖ przez **3 sekundy**, na wyświetlaczu zacznie mrugać „E”-„F”-„H”-„L” w podanej kolejności z sygnałem dźwiękowym po każdym naciśnięciu.
- Zostaw wyświetlacz, aby zamrugał przez 3 sekundy z sygnałem dźwiękowym na potwierdzenie ustawienia.

Wyświetlacz	Zakres temperatur (Strefa podwójna)	
	Górna strefa	Dolna strefa
E (Początkowe)	5 - 12 °C (41 °F - 54 °F)	12 - 22 °C (54 °F - 72 °F)
F	2 - 12 °C (36 °F - 54 °F)	12 - 20 °C (54 °F - 68 °F)
H	5 - 12 °C (41 °F - 54 °F)	8 - 19 °C (46 °F - 66 °F)
L	2 - 10 °C (36 °F - 50 °F)	2 - 10 °C (36 °F - 50 °F)

■ USTAWIENIE TEMPERATUR

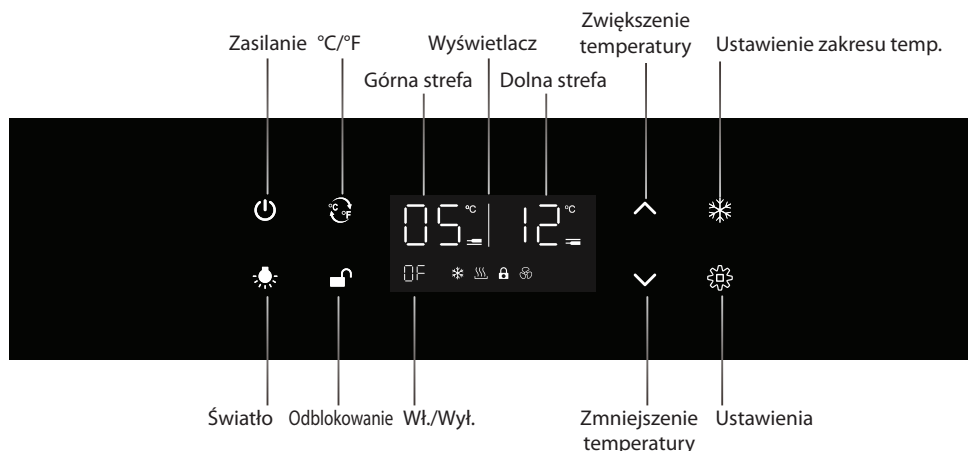
- Początkowe zakresy ustawień temperatury to E: 5-12 °C (41-54 °F) dla górnej strefy i 12-22 °C (54-72 °F) dla dolnej strefy.
- Zanim naciskając ⊕ lub ⊖ ustawisz pożądaną temperaturę, będziesz musiał dotknąć symbolu ⊕ i ustawić strefę. Gdy strefa jest przygotowana do ustawień, temperatura strefy będzie mrugać.
- Pierwszym dotknięciem symbolu ⊕ lub ⊖ przywołasz wcześniej ustawioną temperaturę wyświetloną na cyfrowym wyświetlaczu.
- Dotykając ⊕ zwiększysz temperaturę o 1 °C (lub o 1 °F). Ponownie dotykając ⊖ zmniejszysz temperaturę o 1 °C (lub o 1 °F).

■ WYBÓR WYŚWIETLANIA STOPNI FAHRENHEITA (°F) I CELSJUSZA (°C)

Dotykając symbolu ☺, możesz wybrać wyświetlanie stopni Fahrenheita lub Celsjusza dla obu stref równocześnie.

- * Dla modeli **PW 38 GDFB**, stopnie Celsjusza i Fahrenheita lewej i prawej strefy zmienia się równocześnie bez względu na wyżej podaną operację w lewej lub prawej strefie.

■ PANEL STEROWANIA PW 46 GDFB Z ELEMENTAMI STEROWANIA NA DRZWIACH



■ WŁĄCZANIE/WYŁĄCZANIE ZASILANIA



POWER

- Naciskając włączysz przyciski podświetlenia panelu sterowania, gdy są wyłączone.
- Jeśli chcesz wyłączyć witrynę z powodu czyszczenia lub dłuższej nieobecności, jeden raz naciśnij przycisk zasilania. Gdy zabrmi jeden sygnał dźwiękowy, przytrzymaj wciśnięty przycisk zasilania przez **10 sekund** a witryna się wyłączy. Po wyłączeniu witryny odczekaj co najmniej **5 minut** zanim ponownie ją uruchomisz. Ograniczy to nadmierne zużycie kompresora.



Ostrzeżenie

Aby zapobiec uszkodzeniu kompresora, nie włączaj urządzenia ponownie do **5 minut** po wyłączeniu zasilania.

■ ODBLOKOWANIE PANELU STEROWANIA



Unlock

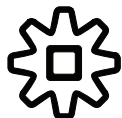
- Naciskając przez 3 sekundy odblokujesz panel sterowania.

■ WYBÓR WYŚWIETLANIA STOPNI FAHRENHEITA (°F) I CELSJUSZA (°C)



- Naciskając zmienisz wyświetlanie temperatury w stopniach Fahrenheita lub Celsjusza.

■ USTAWIANIE TEMPERATURY



- Naciskając przycisk ustawisz temperaturę. Mruganie wyświetlacza informuje o dostępie do ustawień.

SET

■ USTAWIENIA TEMPERATURY



Temp. Up

- Naciskając przycisk zwiększysz ustawioną temperaturę o 1°.



**Temp.
Down**

- Naciskając przycisk zmniejszysz ustawioną temperaturę o 1°.



Ustawienia zakresu temp.

- Naciśnij przycisk, aby zmienić zakres temperatur między E, F, H, L i zostaw przyciśnięty przez **3 sekundy**, aby potwierdzić wybór. Witryna jest ustawiona fabrycznie na „E”, jest to idealna temperatura do przechowywania czerwonego wina.

Wyświetlacz	Zakres temperatur	
	Górna strefa	Dolna strefa
E (Początkowe)	5 - 12 °C (41 °F - 54 °F)	12 - 22 °C (54 °F - 72 °F)
F	2 - 12 °C (36 °F - 54 °F)	12 - 20 °C (54 °F - 68 °F)
H	5 - 12 °C (41 °F - 54 °F)	8 - 19 °C (46 °F - 66 °F)
L	2 - 10 °C (36 °F - 50 °F)	12 - 22 °C (54 °F - 72 °F)

Wskazówka:

Panel sterowania automatycznie się zablokuje, gdy nie będzie dotykany przez **15 sekund**. Przed ustawieniem nie zapomnij odblokować panelu sterowania. Jeśli panel sterowania nie będzie dotykany przez **15 sekund**, z wyjątkiem przycisku zasilania podświetlenie wszystkich innych przycisków się wyłączy.

■ USTAWIENIA TEMPERATURY



- Ustawienie temperatury górnej strefy



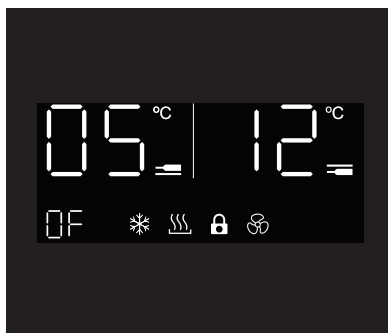
- Ustawienie temperatury dolnej strefy



- Wyświetlacz jest włączony.



- Wyświetlacz jest wyłączony.



Wyświetlacz można wyłączyć, aby działał mniej rozprasząco. Twoja witryna będzie nadal pracowała, ale wyświetlacz na niej nie będzie widoczny. Temperaturę witryny będzie można sprawdzić naciskając przycisk **Zasilania**. Jeśli chcesz włączyć lub wyłączyć wyświetlacz, naciśnij przycisk °C/°F przez **5 sekund**, jeśli panel sterowania jest zablokowany.

Gdy zacznie mrugać wskaźnik ON/OFF, kolejnym naciśnięciem przycisku °C/°F wejdiesz w interfejs danej opcji. „ON” będzie wyświetlane na wyświetlaczu na stałe, opcję „OFF” wyłączy wyświetlacz. Nie dotykaj panelu sterowania przez **5 sekund**, aby potwierdzić swój wybór.

Wskazówka:

Temperatury mogą się wahać w zależności od tego, czy światło wewnątrz jest włączone czy nie oraz od ułożenia butelek.

KONSERWACJA

■ CZYSZCZENIE WITRYNY

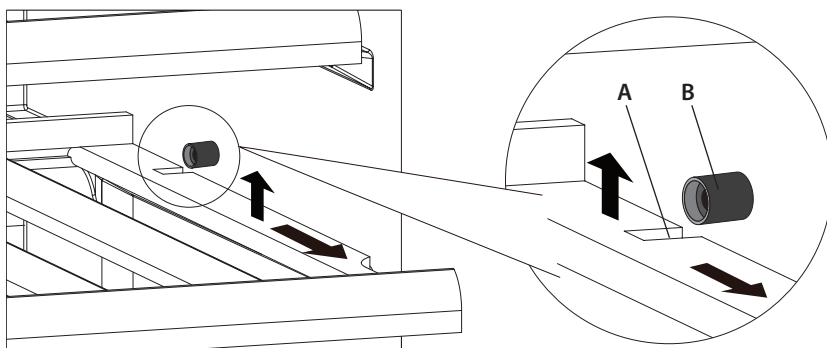
- Wyłącz zasilanie, odłącz urządzenie i wyjmij wszystkie przedmioty łącznie z półkami.
- Powierzchnie wewnętrzne wytrzyj gąbką i roztworem sody. Roztwór powinien zawierać 2 łyżki sody na 1 litr ciepłej wody.
- Półki umyj delikatnym roztworem środka czyszczącego. Przed włożeniem do witryny zostaw drewniane półki do wyschnięcia.
- Przy czyszczeniu okolic elementów sterowania lub części elektrycznych, zawsze wyciśnij nadmiar wody z gąbki lub ścierki.
- Powierzchnię zewnętrzną wytrzyj ciepłą wodą i delikatnym środkiem czyszczącym. Wytrzyj do sucha za pomocą czystej delikatnej ścierki.
- Do stali nierdzewnej nie używaj stalowej szczotki ani druciaka. Doszłoby do podrapania Stali nierdzewnej stalowymi częściami, mogłoby dojść również do rdzewienia.

■ WYJMOWANIE PÓŁEK

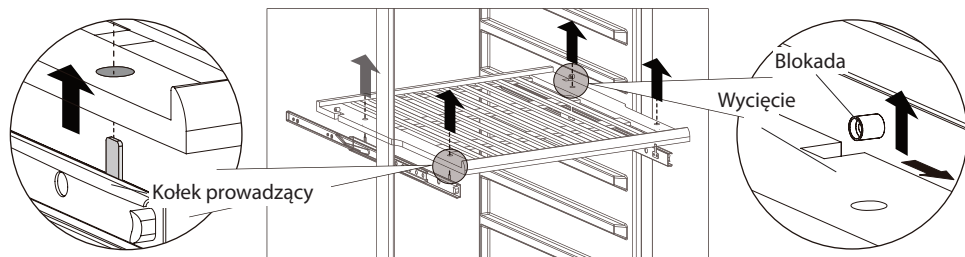
- Przed wyjęciem półki z urządzenia niezbędne jest wyjęcie wszystkich butelek wina na danej półce;
- W przypadku modelu z wsuwaną szyną przesunij półki do pozycji, w której wycięcie na drewnianej półce jest bezpośrednio pod plastikową blokadą i podnieś drewnianą półkę.
- Zapewnij ich powrót na miejsce przy wracaniu półki.
- Przed włożeniem butelek do witryny upewnij się, czy półki są prawidłowo włożone. Aby sprawdzić, czy półki są prawidłowo włożone, wyciągnij półki całkowicie do pozycji blokady (STOPPER) i dociśnij je kilka razy z powrotem.

A. Wycięcie

B. Plastikowa blokada



- W przypadku modelu z wsuwaną szyną podnieś całą półkę poziomo do góry, aby oddzielić ją od 4 kołków prowadzących wsuwanej szyny.

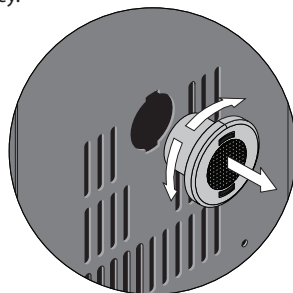


■ WYMIANA FILTRA WĘGLOWEGO (OPCJA DODATKOWA)

Dla dojrzewiania wina ważna jest dobra jakość okolicznego powietrza. Filtr węglowy jest bardzo użyteczny, ponieważ wchłania zapach i poprawia jakość powietrza. W przypadku modeli z filtrem węglowym polecamy, aby jeden raz w roku wymienić ten filtr. Filtr zamówisz u swojego sprzedawcy.

Wymaganie filtra węglowego:

- o Złap filtr węglowy i obróć go o 90° w lewo lub w prawo, aby go wyjąć;
- o Ponowne włożenie filtra węglowego:
- o Złap filtr węglowy i obróć go o 90° w lewo lub w prawo tak, aby zapadł do odpowiedniej pozycji.



■ ODMRAŻANIE

- o Odmrażanie przebiega wewnątrz witryny podczas jej pracy, automatycznie. Woda z rozmrażania jest zatrzymywana w misce odparowującej i automatycznie odparowywana.
- o Miskę odparowującą i otwór wypuszczania wody z odmrażania należy regularnie czyścić. Zapobiega to gromadzeniu się wody w dolnej części witryny, zamiast tego wycieka kanałem wypuszczania wody z odmrażania i otworem wylotowym.
- o Do wyczyszczenia otworu wypuszczania możesz nalać również małą ilość wody.
- o Należy uważać i zapewnić, aby butelki wina nie dotykały tylnej ściany urządzenia, ponieważ mogłyby to przerwać proces automatycznego odmrażania i skierować wodę do podstawy witryny.

■ PRZEMIESZCZANIE WITRYNY

Jeśli potrzebujesz przemieścić witrynę w inne miejsce, postępuj jak poniżej.

- o Usuń z witryny wszystkie przedmioty.
- o Przyklej taśmą wszystkie wolne przedmioty wewnątrz urządzenia, takie jak na przykład półki.
- o Dokręć regulowane nóżki do góry do podstawy, aby zapobiec ich uszkodzeniu.
- o Przyklej taśmą drzwiczki.
- o Zapewnij, aby urządzenie w trakcie przenoszenia znajdowało się w pozycji pionowej. Aby zapobiec uszkodzeniom zewnętrznym, okręć urządzenie kocem lub podobnym materiałem.

■ AWARIA PRĄDU

- o Jeśli dojdzie do awarii prądu, urządzenie potrafi przez kilka godzin utrzymywać temperaturę wewnątrz urządzenia. Pod warunkiem, że jest minimalizowana liczba otwierania drzwi.
- o Jeśli awaria jest dłuższa, niż kilka godzin, należy przechować zawartość witryny w innym miejscu, aby nie doszło do zepsucia produktów w wyniku zwiększenia temperatury.

WAŻNE: *Jeśli urządzenie jest odłączone od zasilania sieciowego, dojdzie do awarii zasilania lub wyłączysz urządzenie, musisz odczekać przed jego ponownym uruchomieniem 5 minut. Jeśli spróbujesz je ponownie włączyć przed upływem tego czasu, może dojść do uszkodzenia kompresora.*

■ WAKACJE

Krótkie wakacje: *W przypadku wakacji, krótszych niż 3 tygodnie, zostaw witrynę włączoną.*

Długie wakacje:

- o Jeśli nie będziesz używał urządzenia przez dłuższy czas, należy wyjąć butelki z winem i wyłączyć urządzenie.
- o Przewnętrzną należy wyczyścić za pomocą roztworu sody i ciepłej wody.
- o Przewnętrzną należy później dokładnie wysuszyć.
- o Aby nie doszło do powstawania pleśni, zostaw drzwi lekko uchylone.

■ ODŁĄCZANIE ZASILANIA

- o Jeśli urządzenie jest odłączone od zasilania sieciowego lub jeśli dojdzie do awarii zasilania, musisz przed ponownym uruchomieniem urządzenia poczekać 5 minut. Jeśli spróbujesz ponownie uruchomić witrynę przed upływem 5 minut, może dojść do jej awarii.

ROZWIĄZYWANIE PROBLEMÓW

Jeśli wydaje ci się, że urządzenie nie działa poprawnie, spróbuj zanim zadzwonisz do serwisu, za pomocą następujących wskazówek spróbować rozwiązać problem samodzielnie.

Č.	PROBLEM	MOŻLIWA PRZYCZYNA PROBLEMU/ŚRODKI OSTROŻNOŚCI
1	Witryna nie działa	Urządzenie nie jest podłączone do sieci. Urządzenie jest wyłączone. Aktywował się wyłącznik prądu lub wypalił się bezpiecznik.
2	Witryna niewystarczająco chłodzi.	Sprawdź ustawienie temperatury. Temperatura otoczenia może wymagać wyższych ustawień. Drzwi są bardzo często otwierane. Drzwi nie są całkiem zamknięte. Uszczelnienie drzwi nie uszczelnia całkowicie.
3	Częste automatyczne włączanie i wyłączanie.	Temperatura w pomieszczeniu jest wyższa, niż zazwyczaj. Do witryny dodano dużą liczbę butelek. Drzwi bardzo często są otwierane. Drzwi nie są całkiem zamknięte. Regulator temperatury nie jest dobrze ustawiony. Uszczelka drzwi nie uszczelnia prawidłowo.
4	Nie działa oświetlenie.	Urządzenie nie jest podłączone do sieci. Aktywował się wyłącznik prądu lub spalił się bezpiecznik. Oświetlenie jest wyłączone. Skontaktuj się z centrum serwisowym w celu naprawy i wymiany.
5	Bardzo duże wibracje.	Sprawdź, czy urządzenie jest wypoziomowane. Sprawdź, czy wewnątrz urządzenia lub w komorze kompresora nie ma żadnych poluzowanych części.
6	Witryna wydaje się być bardzo głośna.	Grzechotanie może być spowodowane przepływem chłodziwa. Jest to normalne zjawisko. Na końcu każdego cyklu usłyszysz bulgoczący dźwięk, który jest spowodowany przepływem chłodziwa. Ściąganie i rozszerzanie się ścian wewnętrznych może powodować dźwięk pękania lub stukania. Urządzenie nie jest wypoziomowane.
7	Drzwi nie zamykają się prawidłowo.	Witryna nie jest wyrównana. Zmiany kierunku otwierania drzwi wykonano nieprawidłowo. Uszczelka jest zanieczyszczona. Półki są nieprawidłowo umieszczone.
8	Na wyświetlaczu pokazuje się „HH” lub „LL” zamiast cyfr, i/lub słycać nieprzerwany sygnał dźwiękowy.	Awaria czujnika temperatury.

ZMIANA KIERUNKU OTWIERANIA DRZWI

Wskazówki:

- Następujące operacje są do dyspozycji tylko dla modelu z elementami sterowania wewnątrz oraz zainstalowanym prawym zawiasem drzwi.
- Wszystkie wyjęte części polecamy zachować na wypadek ponownej zmiany kierunku otwierania drzwi.

■ DLA PW 38 GDFB Z ELEMENTAMI STEROWANIA WEWNĄTRZ

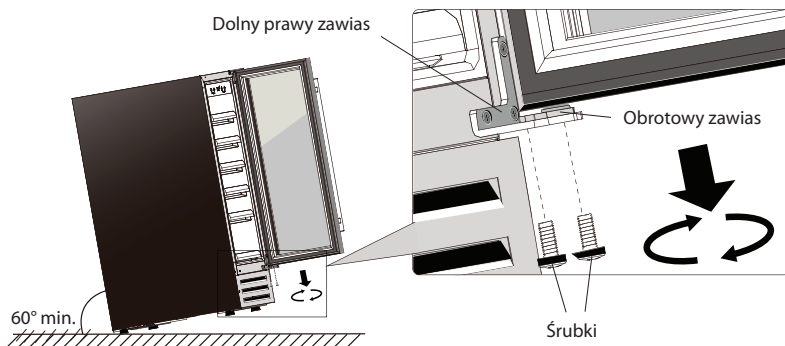
- Urządzenie ma lewe i prawe drzwi, dlatego nie ma potrzeby zmiany kierunku otwierania drzwi.

■ DLA PW 17 GDFB/PW 32 GD/PW 46 GDFB ELEMENTY STEROWANIA WEWNĄTRZ

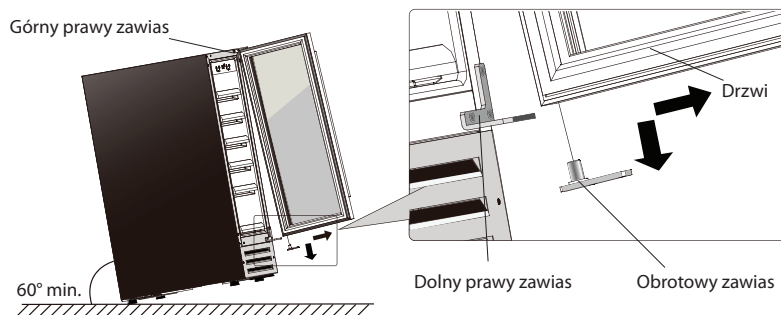
Wskazówki:

- Jeśli chcesz zmienić kierunek otwierania drzwi z prawego zawiasu na lewy zawias, musisz przygotować 2 nowe części zamienne: **lewy górny zawias** i **lewy dolny zawias**.
- Wszystkie wyjęte elementy zachowaj na wypadek ponownej zmiany kierunku otwierania drzwi.

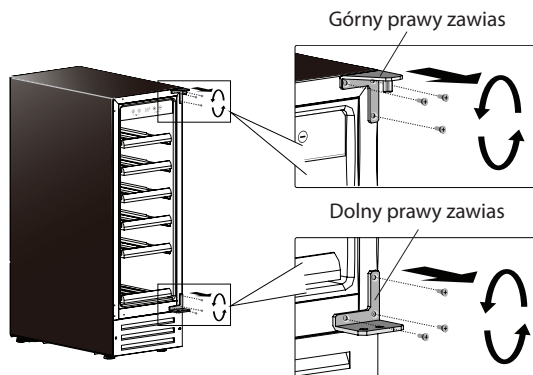
1. Otwórz drzwi i poluzuj dwie śrubki z obrotowego zawiasu dolnego prawego zawiasu.



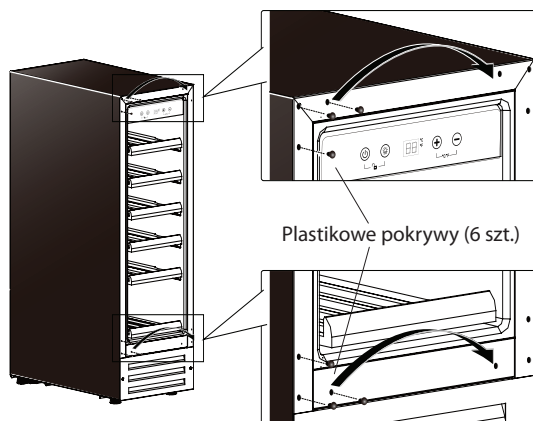
2. Ostrożnie wyjmij drzwi z górnego prawego zawiasu i uważaj, aby ich nie podrapać. Wyjmij zawias obrotowy z otworu zawiasu drzwi.



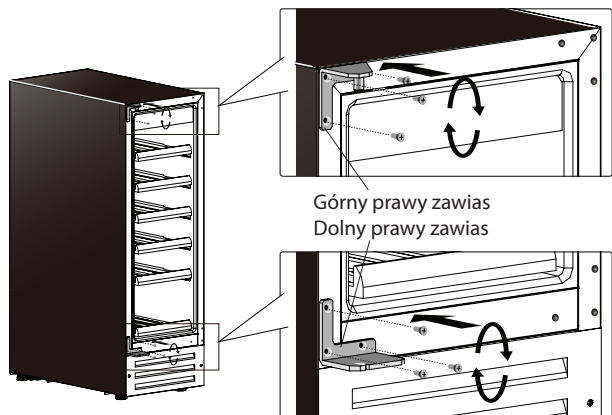
3. Odkręć górny prawy zawias i dolny prawy zawias z szafki. Odłóż je na wypadek ponownej instalacji drzwi.



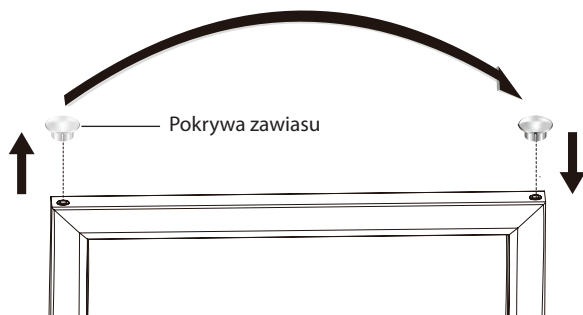
4. Wymij 6 plastikowych pokryw w przednim rogu szafki. Przełóż je wszystkie na prawą stronę.



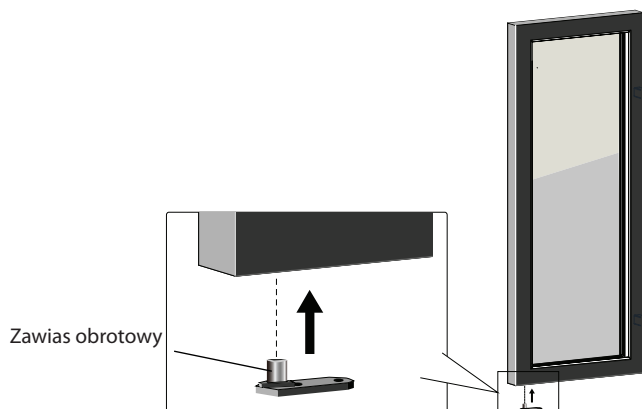
5. Zainstaluj górny lewy zawias i dolny lewy zawias na lewej stronie urządzenia. Upewnij się, czy śrubki są dobrze dokręcone.



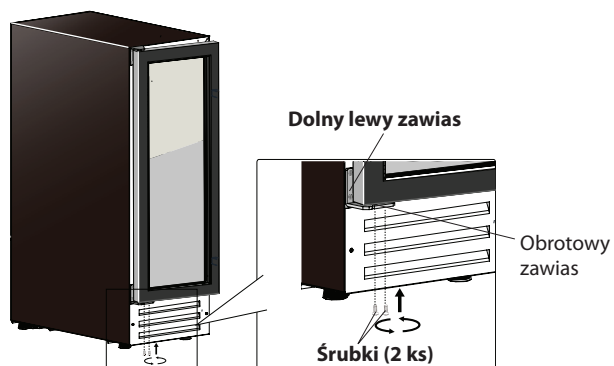
6. Przesuń pokrywę zawiasu (w górnej części drzwi) z lewej strony na prawą stronę.



7. Włóż zawias obrotowy do otworu dolnego zawiasu drzwi.




8. Zainstaluj drzwi na lewy zawias i dociągnij zawias obrotowy za pomocą 2 śrubek.

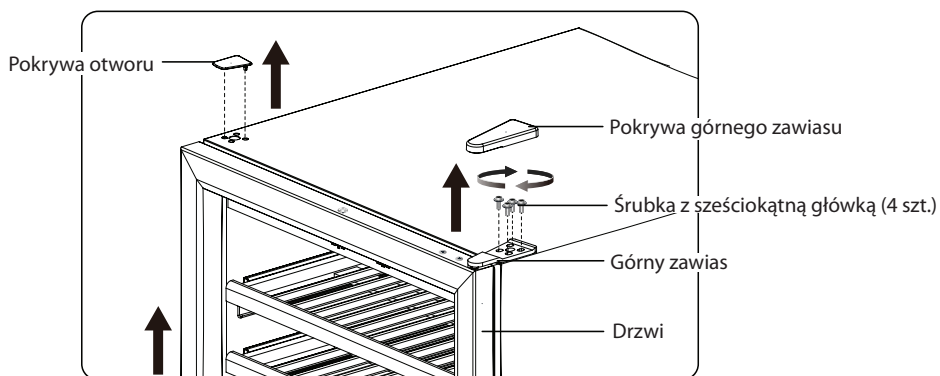


■ DLA PW 166 GD Z ELEMENTAMI STEROWANIA WEWNĄTRZ

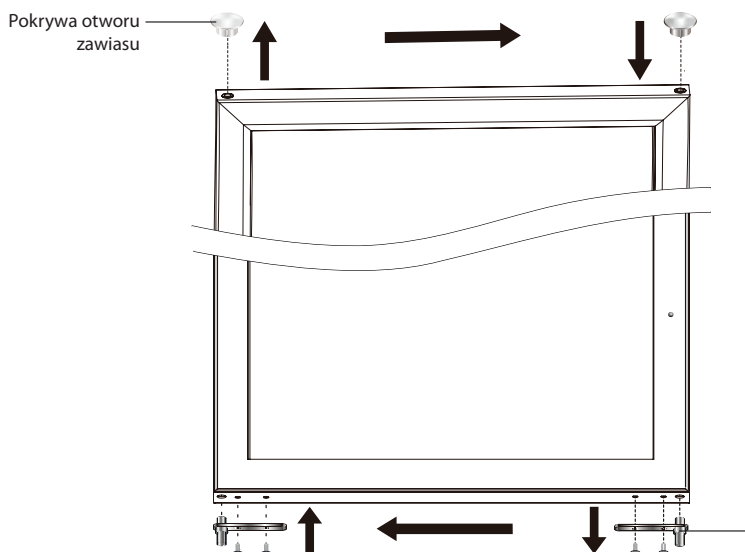
WAŻNE INFORMACJE

Polecamy umocowanie półek na miejscu za pomocą taśmy klejącej, aby podczas manipulacji urządzeniem nie doszło do uszkodzenia, a wszystkie wyjęte części starannie przechowaj.

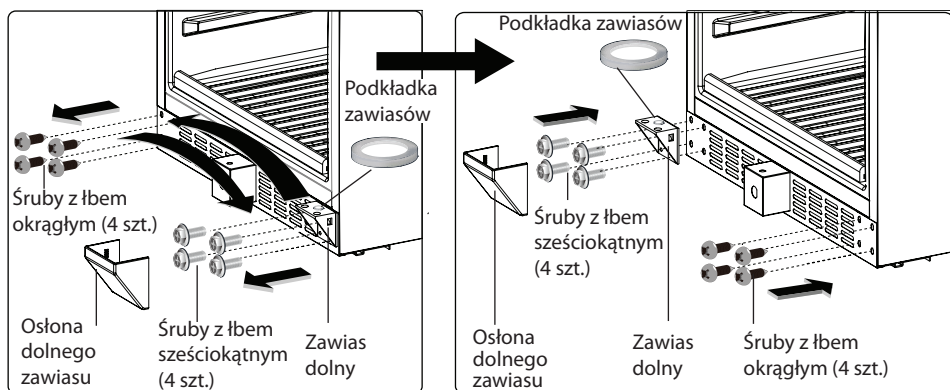
1. Za pomocą płaskiego śrubokręta wyjmij pokrywę otworu oraz pokrywę górnego zawiasu na górnej stronie. Zdejmij górny zawias odkręcając śrubki z sześciokątną główką (4 szt.). Teraz razem z pomocnikiem ostrożnie podnieś drzwi z dolnego zawiasu i ostrożnie odłóż je na bok. Dla ponownej instalacji ważne jest, aby podkładka zawiasu  została w górnej części dolnego zawiasu.



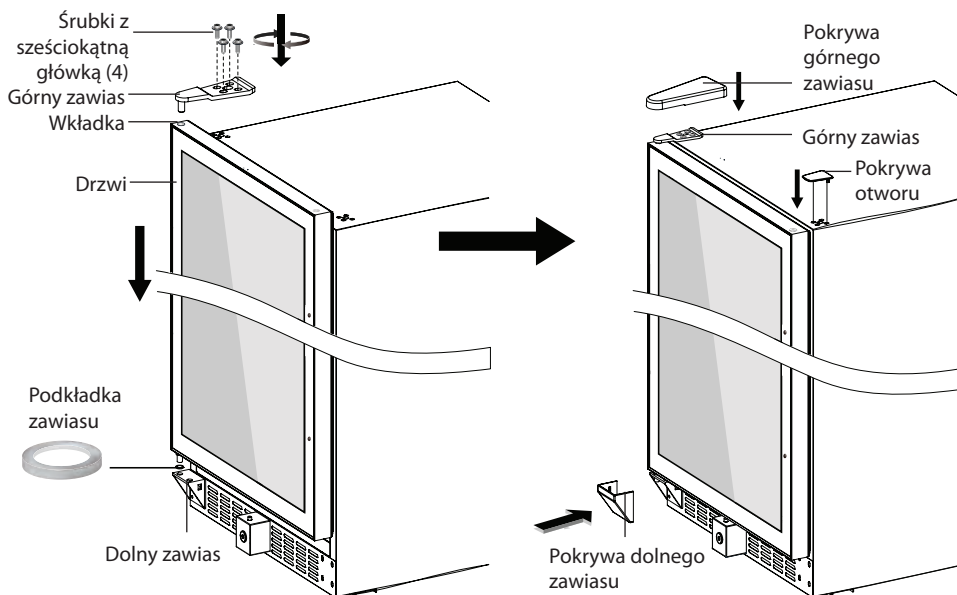
2. Przesuń pokrywę zawiasu (w górnej części zawiasu) z lewej strony na prawą. Przesuń obrotowy zawias (w dolnej części drzwi) z prawej strony na lewą.



- 3.** Zdejmij pokrywę dolnego zawiasu ostrożnie podważając ją za pomocą małego płaskiego śubokręta. Zdejmij dolny zawias odkręcając śrubki z sześciokątną główką (4 szt.). Odkręć z lewej dolnej strony śrubki z walcowatą zaokrągloną główką (4 ks). Teraz przesuń dolny zawias na lewą dolną stronę i mocno go dokręć za pomocą śrubek z sześciokątną główką (4 szt.). Przenieś śrubki z walcowatą zaokrągloną główką (4 szt.) na prawą dolną stronę i dokręć je.



- 4.** Trzymaj z pomocnikiem mocno drzwi i umieść je na górnej części dolnego zawiasu; upewnij się, czy obrotowy zawias jest na swoim miejscu w stosunku do podkładki zawiasu. Włóż sworzeń górnego zawiasu do wkładki na prawej górnej stronie i przymocuj go za pomocą śrubek z sześciokątną główką (4 szt.). Zakryj górny zawias i dolny zawias pokrywą górnego i dolnego zawiasu. Zakryj otwory na śrubki zawiasu na prawej górnej stronie za pomocą pokrywy otworu.



Arkusz informacyjny

PHILCO 

DELEGOWANE ROZPORZĄDZENIE KOMISJI (UE) 2019/2016

Nazwa lub znak producenta: PHILCO

Adres producenta: PHILCO, FAST ČR, a.s. U Sanitasu 1621 Říčany 251 01, Czech Republic

Znak identyfikacyjny modelu: PW 17 GDFB

Rodzaj sprzętu chłodniczego: Chłodziarka do wina

Urządzenie z niskim poziomem hałasu	Nie	Rodzaj urządzenia	wolnostojący
Urządzenie do przechowywania wina	Tak	Inne urządzenia chłodnicze	Nie

Podstawowe specyfikacje

Parametr	Wartość	Parametr	Wartość
Rozmiary w mm	Wysokość	Całkowita objętość (dm ³ lub l)	54
	Szerokość		
	Głębokość		
Wskaźnik efektywności energetycznej (EEI)	171	Klasa efektywności energetycznej*	G
Akustyczny dźwięk emisji hałasu (dB(A) re 1 pW)	39	Klasa emisji hałasu akustycznego	C
Roczne zużycie energii (kWh/rok)	135	Klasa klimatyczna:	umiarkowana subtropikalny
Minimalna temperatura otoczenia (°C), dla której odpowiedni jest układ chłodzenia	16	Maksymalna temperatura otoczenia (°C), dla której odpowiedni jest układ chłodzenia	38
Nastawienie urządzenia na zimę	Nie		

Specyfikacja przestrzeni

Rodzaj przestrzeni	Parametry i wartość przestrzeni chłodzącej				
		Objętość urządzenia (dm ³ lub l)	Zalecane ustawienie temperatury dla optymalnego przechowywania żywności (°C)	Zdolność zamrażania (kg/24h)	Rodzaj rozmrażania (automatyczne rozmrażanie = A ręczne rozmrażanie = M)
Spizarnia	Nie	-	-	-	-
Przechowywanie wina	Tak	54	-	-	A
Piwnica	Nie	-	-	-	-
Świeża żywność	Nie	-	-	-	-
Komora zamrażarki	Nie	-	-	-	-

0 – gwiazdek lub kostka do lodu	Nie	-	-	-	-
1-gwiazdka	Nie	-	-	-	-
2-gwiazdki	Nie	-	-	-	-
3-gwiazdki	Nie	-	-	-	-
4-gwiazdki	Nie	-	-	-	-
2-gwiazdkowa przestrzeń	Nie	-	-	-	-
Szuflada ze zmienną temperaturą	Nie	-	-	-	-
Parametry źródła światła:					
Rodzaj źródła światła			LED		
Klasa efektywności energetycznej			-		
Minimalny okres gwarancji oferowany przez producenta: 24 miesiące					
Dodatkowe informacje:					
Link do strony internetowej producenta, na której są informacje o których mowa w pkt.4 lit. a) załącznika do rozporządzenia Komisji (UE) 2019/2022, można znaleźć na stronie: https://www.fastcr.cz/					

* A (najwyższa wydajność) do G (najniższa wydajność)

Arkusz informacyjny



DELEGOWANE ROZPORZĄDZENIE KOMISJI (UE) 2019/2016

Nazwa lub znak producenta: PHILCO

Adres producenta: PHILCO, FAST ČR, a.s. U Sanitatu 1621 Říčany 251 01, Czech Republic

Znak identyfikacyjny modelu: PW 32 GD

Rodzaj sprzętu chłodniczego: Chłodziarka do wina

Urządzenie z niskim poziomem hałasu	Nie	Rodzaj urządzenia	wolnostojący
Urządzenie do przechowywania wina	Tak	Inne urządzenia chłodnicze	Nie

Podstawowe specyfikacje

Parametr	Wartość	Parametr	Wartość
Rozmiary w mm	Wysokość	Całkowita objętość (dm ³ lub l)	85
	Szerokość		
	Głębokość		
Wskaźnik efektywności energetycznej (EEI)	171	Klasa efektywności energetycznej*	G
Akustyczny dźwięk emisji hałasu (dB(A) re 1 pW)	39	Klasa emisji hałasu akustycznego	C
Roczne zużycie energii (kWh/rok)	139	Klasa klimatyczna:	umiarkowana subtropikalny
Minimalna temperatura otoczenia (°C), dla której odpowiedni jest układ chłodzenia	16	Maksymalna temperatura otoczenia (°C), dla której odpowiedni jest układ chłodzenia	38
Nastawienie urządzenia na zimę	Nie		

Specyfikacja przestrzeni

Rodzaj przestrzeni	Parametry i wartość przestrzeni chłodzącej			
	Objętość urządzenia (dm ³ lub l)	Zalecane ustawienie temperatury dla optymalnego przechowywania żywności (°C)	Zdolność zamrażania (kg/24h)	Rodzaj rozmrażania (automatyczne rozmrażanie = A ręczne rozmrażanie = M)
Spizarnia	Nie	-	-	-
Przechowywanie wina	Tak	85	12	A
Piwnica	Nie	-	-	-
Świeża żywność	Nie	-	-	-
Komora zamrażarki	Nie	-	-	-

0 – gwiazdek lub kostka do lodu	Nie	-	-	-	-
1-gwiazdka	Nie	-	-	-	-
2-gwiazdki	Nie	-	-	-	-
3-gwiazdki	Nie	-	-	-	-
4-gwiazdki	Nie	-	-	-	-
2-gwiazdkowa przestrzeń	Nie	-	-	-	-
Szuflada ze zmienną temperaturą	Nie	-	-	-	-
Parametry źródła światła:					
Rodzaj źródła światła			LED		
Klasa efektywności energetycznej			-		
Minimalny okres gwarancji oferowany przez producenta: 24 miesiące					
Dodatkowe informacje:					
Link do strony internetowej producenta, na której są informacje o których mowa w pkt.4 lit. a) załącznika do rozporządzenia Komisji (UE) 2019/2022, można znaleźć na stronie: https://www.fastcr.cz/					

* A (najwyższa wydajność) do G (najniższa wydajność)

Arkusz informacyjny



DELEGOWANE ROZPORZĄDZENIE KOMISJI (UE) 2019/2016

Nazwa lub znak producenta: PHILCO

Adres producenta: PHILCO, FAST ČR, a.s. U Sanitatu 1621 Říčany 251 01, Czech Republic

Znak identyfikacyjny modelu: PW 38 GDFB

Rodzaj sprzętu chłodniczego: Chłodziarka do wina

Urządzenie z niskim poziomem hałasu	Nie	Rodzaj urządzenia	wolnostojący
Urządzenie do przechowywania wina	Tak	Inne urządzenia chłodnicze	Nie

Podstawowe specyfikacje

Parametr	Wartość	Parametr	Wartość
Rozmiary w mm	Wysokość	Całkowita objętość (dm ³ lub l)	116
	Szerokość		
	Głębokość		
Wskaźnik efektywności energetycznej (EEI)	170	Klasa efektywności energetycznej*	G
Akustyczny dźwięk emisji hałasu (dB(A) re 1 pW)	40	Klasa emisji hałasu akustycznego	C
Roczne zużycie energii (kWh/rok)	142	Klasa klimatyczna:	umiarkowana subtropikalny
Minimalna temperatura otoczenia (°C), dla której odpowiedni jest układ chłodzenia	16	Maksymalna temperatura otoczenia (°C), dla której odpowiedni jest układ chłodzenia	38
Nastawienie urządzenia na zimę	Nie		

Specyfikacja przestrzeni

Rodzaj przestrzeni	Parametry i wartość przestrzeni chłodzącej			
	Objętość urządzenia (dm ³ lub l)	Zalecane ustawienie temperatury dla optymalnego przechowywania żywności (°C)	Zdolność zamrażania (kg/24h)	Rodzaj rozmrażania (automatyczne rozmrażanie = A ręczne rozmrażanie = M)
Spizarnia	Nie	-	-	-
Przechowywanie wina	Tak	116	-	A
Piwnica	Nie	-	-	-
Świeża żywność	Nie	-	-	-
Komora zamrażarki	Nie	-	-	-

0 – gwiazdek lub kostka do lodu	Nie	-	-	-	-
1-gwiazdka	Nie	-	-	-	-
2-gwiazdki	Nie	-	-	-	-
3-gwiazdki	Nie	-	-	-	-
4-gwiazdki	Nie	-	-	-	-
2-gwiazdkowa przestrzeń	Nie	-	-	-	-
Szuflada ze zmienną temperaturą	Nie	-	-	-	-
Parametry źródła światła:					
Rodzaj źródła światła			LED		
Klasa efektywności energetycznej			-		
Minimalny okres gwarancji oferowany przez producenta: 24 miesiące					
Dodatkowe informacje:					
Link do strony internetowej producenta, na której są informacje o których mowa w pkt.4 lit. a) załącznika do rozporządzenia Komisji (UE) 2019/2022, można znaleźć na stronie: https://www.fastcr.cz/					

* A (najwyższa wydajność) do G (najniższa wydajność)

Arkusz informacyjny



DELEGOWANE ROZPORZĄDZENIE KOMISJI (UE) 2019/2016

Nazwa lub znak producenta: PHILCO

Adres producenta: PHILCO, FAST ČR, a.s. U Sanitatu 1621 Říčany 251 01, Czech Republic

Znak identyfikacyjny modelu: PW 46 GDFB

Rodzaj sprzętu chłodniczego: Chłodziarka do wina

Urządzenie z niskim poziomem hałasu	Nie	Rodzaj urządzenia	wolnostojący
Urządzenie do przechowywania wina	Tak	Inne urządzenia chłodnicze	Nie

Podstawowe specyfikacje

Parametr	Wartość	Parametr	Wartość
Rozmiary w mm	Wysokość	Całkowita objętość (dm ³ lub l)	135
	Szerokość		
	Głębokość		
Wskaźnik efektywności energetycznej (EEI)	181	Klasa efektywności energetycznej*	G
Akustyczny dźwięk emisji hałasu (dB(A) re 1 pW)	40	Klasa emisji hałasu akustycznego	C
Roczne zużycie energii (kWh/rok)	156	Klasa klimatyczna:	umiarkowana subtropikalny
Minimalna temperatura otoczenia (°C), dla której odpowiedni jest układ chłodzenia	16	Maksymalna temperatura otoczenia (°C), dla której odpowiedni jest układ chłodzenia	38
Nastawienie urządzenia na zimę	Nie		

Specyfikacja przestrzeni

Rodzaj przestrzeni	Parametry i wartość przestrzeni chłodzącej			
	Objętość urządzenia (dm ³ lub l)	Zalecane ustawienie temperatury dla optymalnego przechowywania żywności (°C)	Zdolność zamrażania (kg/24h)	Rodzaj rozmrażania (automatyczne rozmrażanie = A ręczne rozmrażanie = M)
Spizarnia	Nie	-	-	-
Przechowywanie wina	Tak	135	-	A
Piwnica	Nie	-	-	-
Świeża żywność	Nie	-	-	-
Komora zamrażarki	Nie	-	-	-

0 – gwiazdek lub kostka do lodu	Nie	-	-	-	-
1-gwiazdka	Nie	-	-	-	-
2-gwiazdki	Nie	-	-	-	-
3-gwiazdki	Nie	-	-	-	-
4-gwiazdki	Nie	-	-	-	-
2-gwiazdkowa przestrzeń	Nie	-	-	-	-
Szuflada ze zmienną temperaturą	Nie	-	-	-	-
Parametry źródła światła:					
Rodzaj źródła światła			LED		
Klasa efektywności energetycznej			-		
Minimalny okres gwarancji oferowany przez producenta: 24 miesiące					
Dodatkowe informacje:					
Link do strony internetowej producenta, na której są informacje o których mowa w pkt.4 lit. a) załącznika do rozporządzenia Komisji (UE) 2019/2022, można znaleźć na stronie: https://www.fastcr.cz/					

* A (najwyższa wydajność) do G (najniższa wydajność)

Arkusz informacyjny



DELEGOWANE ROZPORZĄDZENIE KOMISJI (UE) 2019/2016

Nazwa lub znak producenta: PHILCO

Adres producenta: PHILCO, FAST ČR, a.s. U Sanitatu 1621 Říčany 251 01, Czech Republic

Znak identyfikacyjny modelu: PW 166 GD

Rodzaj sprzętu chłodniczego: Chłodziarka do wina

Urządzenie z niskim poziomem hałasu	Nie	Rodzaj urządzenia	wolnostojący
Urządzenie do przechowywania wina	Tak	Inne urządzenia chłodnicze	Nie

Podstawowe specyfikacje

Parametr	Wartość	Parametr	Wartość
Rozmiary w mm	Wysokość	Całkowita objętość (dm ³ lub l)	418
	Szerokość		
	Głębokość		
Wskaźnik efektywności energetycznej (EEI)	182	Klasa efektywności energetycznej*	G
Akustyczny dźwięk emisji hałasu (dB(A) re 1 pW)	40	Klasa emisji hałasu akustycznego	C
Roczne zużycie energii (kWh/rok)	192	Klasa klimatyczna:	umiarkowana
Minimalna temperatura otoczenia (°C), dla której odpowiedni jest układ chłodzenia	16	Maksymalna temperatura otoczenia (°C), dla której odpowiedni jest układ chłodzenia	32
Nastawienie urządzenia na zimę	Nie		

Specyfikacja przestrzeni

Rodzaj przestrzeni	Parametry i wartość przestrzeni chłodzącej			
	Objętość urządzenia (dm ³ lub l)	Zalecane ustawienie temperatury dla optymalnego przechowywania żywności (°C)	Zdolność zamrażania (kg/24h)	Rodzaj rozmrażania (automatyczne rozmrażanie = A ręczne rozmrażanie = M)
Spizarnia	Nie	-	-	-
Przechowywanie wina	Tak	418	-	A
Piwnica	Nie	-	-	-
Świeża żywność	Nie	-	-	-
Komora zamrażarki	Nie	-	-	-

0 – gwiazdek lub kostka do lodu	Nie	-	-	-	-
1-gwiazdka	Nie	-	-	-	-
2-gwiazdki	Nie	-	-	-	-
3-gwiazdki	Nie	-	-	-	-
4-gwiazdki	Nie	-	-	-	-
2-gwiazdkowa przestrzeń	Nie	-	-	-	-
Szuflada ze zmienną temperaturą	Nie	-	-	-	-
Parametry źródła światła:					
Rodzaj źródła światła			LED		
Klasa efektywności energetycznej			-		
Minimalny okres gwarancji oferowany przez producenta: 24 miesiące					
Dodatkowe informacje:					
Link do strony internetowej producenta, na której są informacje o których mowa w pkt.4 lit. a) załącznika do rozporządzenia Komisji (UE) 2019/2022, można znaleźć na stronie: https://www.fastcr.cz/					

* A (najwyższa wydajność) do G (najniższa wydajność)

INFORMACJE TECHNICZNE

Informacje techniczne można znaleźć na tabliczce znamionowej wewnątrz urządzenia oraz na etykiecie energetycznej. Kod QR na dostarczonej etykiecie energetycznej zawiera link do rejestracji urządzenia w unijnej bazie danych Eprei.

INFORMACJE O TESTACH

Dostarczone urządzenie jest zgodne z EcoDesign i EN62552-1/-2/-3:2020, EN 60704-1:2010+A11:2012, EN 60704-2-14:2013+A11:2015+A1:2019. Wymagania dotyczące dostępu powietrza do prawidłowego działania urządzenia, minimalna odległość od ściany oraz wymiary urządzenia są częścią niniejszej instrukcji. W przypadku dalszych pytań prosimy o kontakt z producentem.

OBSŁUGA I OBSŁUGA KLIENTA

Zawsze używaj oryginalnych części zamiennych.

Oznakowanie modelu i numer serii znajdziesz na tablicy znamionowej. Pozycję tablicy znamionowej można zmienić bez uprzedniego ostrzeżenia. Oryginalne części zamienne dla niektórych konkretnych komponentów są do dyspozycji min. 7 lub 10 lat. Jest to zależne od typu komponentu oraz od wprowadzenia ostatniego urządzenia danego modelu na rynek.

Kontaktując się z naszym autoryzowanym serwisem, należy mieć dostępne oznaczenie modelu, numer seryjny i opis wady.

Aby pobrać dokumenty, odwiedź www.philco.pl.

Aby zgłosić usterkę i uzyskać dodatkowe informacje serwisowe, odwiedź www.philco.pl/sposoby-zglaszania-reklamacji-gwarancyjnej.

Zastrzega się możliwość zmian bez powiadomienia.

WSKAZÓWKI O INFORMACJE DOTYCZĄCE LIKWIDACJI ZUŻYTYCH OPAKOWAŃ

Materiały z opakowań zlikwiduj w publicznym punkcie likwidacji odpadów.

LIKWIDACJA ZUŻYTYCH URZĄDZEŃ ELEKTRYCZNYCH I ELEKTRONICZNYCH



Znaczenie symbolu na produkcie, jego akcesoriach lub opakowaniu oznacza, że z tym produktem nie wolno obchodzić się, jak ze zwykłym odpadem komunalnym. Zlikwiduj ten produkt w odpowiednim punkcie zbiórki i recyklingu odpadów z urządzeń elektrycznych i elektronicznych. Ewentualnie w niektórych państwach Unii Europejskiej lub innych państwach europejskich jest możliwy zwrot produktu lokalnemu sprzedawcy, w przypadku zakupu podobnego nowego produktu. Odpowiednia likwidacja tego produktu pomoże oszczędzić cenne źródła naturalne i pomoże w prewencji ewentualnego negatywnego wpływu na środowisko i zdrowie ludzkie, do którego mogłoby dojść w wyniku niewłaściwej likwidacji odpadów. Szczegółowe informacje uzyskasz od lokalnego urzędu lub w najbliższym centrum zbiórki odpadów. Niewłaściwa likwidacja tego typu odpadu może podlegać wewnątrzpaństwowym przepisom o mandatach.

Informacja dla firm w Unii Europejskiej

Jeśli chcesz zlikwidować urządzenie elektryczne lub elektroniczne, poproś o potrzebne informacje swojego sprzedawcę lub dostawcę.

Likwidacja w innych państwach poza Unią Europejską

Jeśli chcesz zlikwidować ten produkt, poproś o niezbędne informacje o odpowiednim sposobie likwidacji w miejscowym urzędzie lub u swojego sprzedawcy.



Ten produkt spełnia wszystkie podstawowe wymagania rozporządzenia UE, które się do niego stosują.

Zmiany w tekście, dizajnie i danych technicznych mogą się pojawić bez uprzedniego ostrzeżenia i zastrzegamy sobie prawo do wykonania tychże zmian.

Oryginał niniejszej instrukcji obsługi jest w języku czeskim.



OSTRZEŻENIE! PODCZAS UŻYWANIA, SERWISOWANIA ORAZ LIKWIDACJI ZWRÓĆ UWAGĘ NA SYMBOL PODOBNY DO TEGO PO LEWEJ STRONIE, KTÓRY JEST UMIESZCZONY NA TYLNEJ STRONIE URZĄDZENIA (TYLNY PANEL LUB KOMPRESOR) O ŻÓŁTYM LUB POMARAŃCZOWYM KOLORZE. JEST TO SYMBOL OSTRZEGAWCZY O RYZYKU POŻARU. SĄ TU MATERIAŁY PALNE RUR I KOMPRESOR. BĄDŹ Z DALA OD ŹRÓDEŁ OGNI A PODCZAS UŻYWANIA, OBSŁUGI URZĄDZENIA I LIKWIDACJI.



Výrobce/Manufacturer:
Fast ČR, a.s.
U Sanitasy 1621
Říčany 251 01, CZECH REPUBLIC

Distributor:
FAST PLUS, a.s.
Na pántoch 18
831 06 Bratislava, SLOVAKIA

Distributor:
FAST POLAND Sp. z o. o.
Kwiatniowa 36
05-090 Wypędy, POLAND

PHILCO[®] 

is a pending or registered trademark of Electrolux Home Products, Inc. and used under a license from Electrolux Home Products, Inc.