

SENCOR®

SAX W001

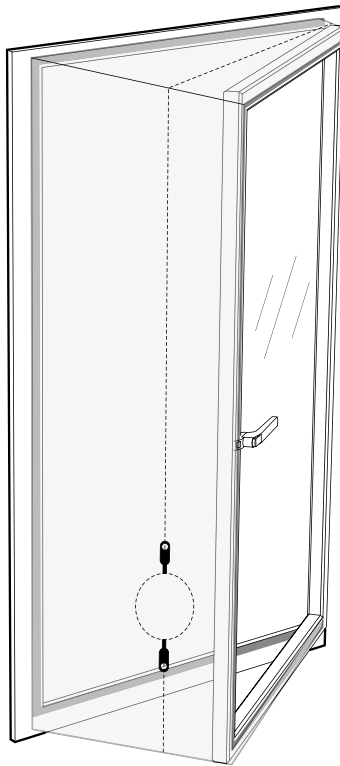


**PORTABLE AIR CONDITIONER
WINDOWS SEAL SET**

Translation of the original manual

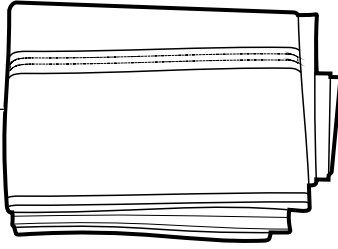
SENCOR®

SAX W001

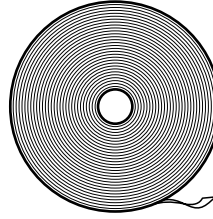
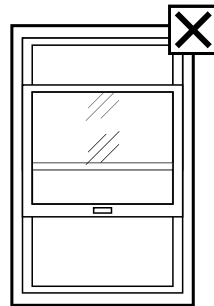
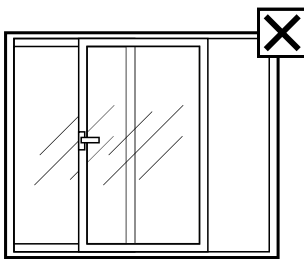
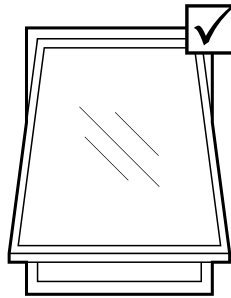
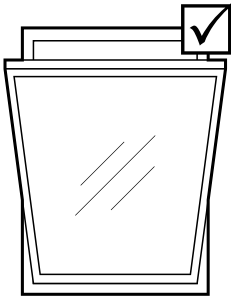
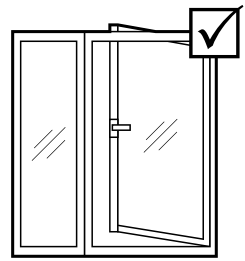
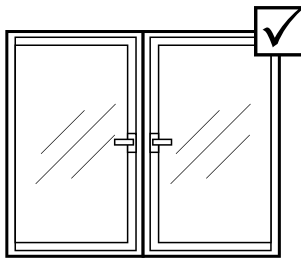
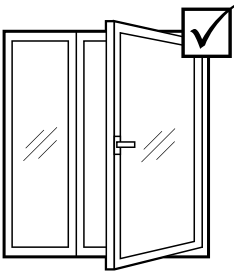


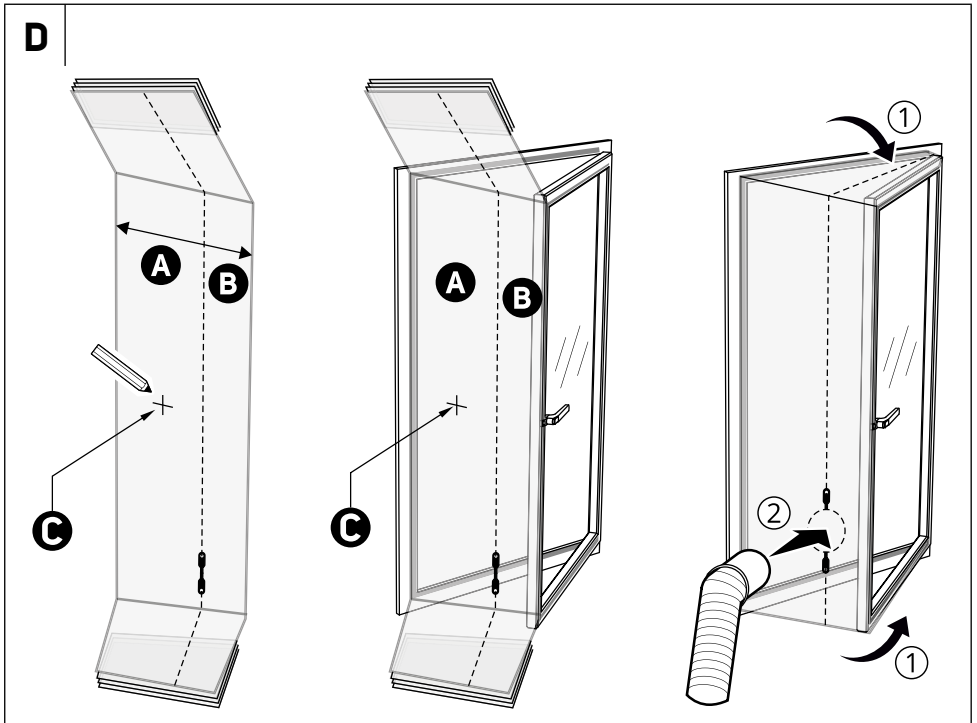
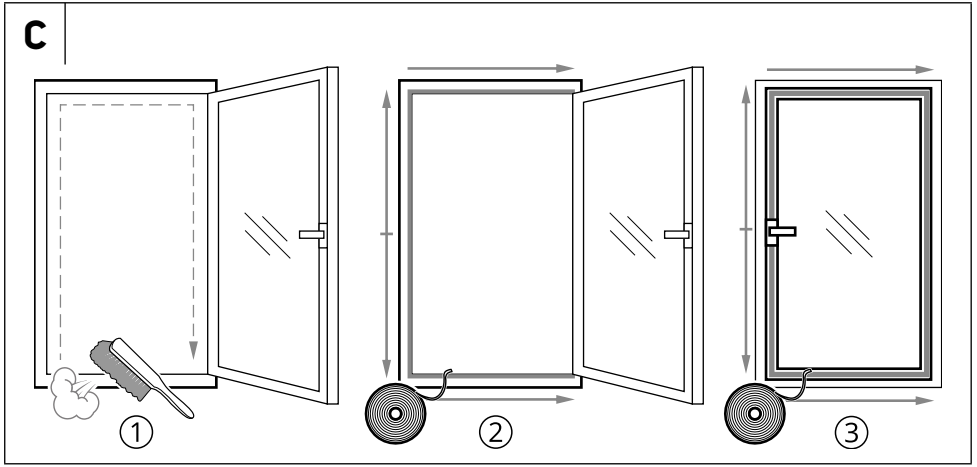
A

1



2

**B**



EN Window seal set

User's manual

Important safety instructions

- Prior to installing the set, read this installation manual, even if you are already familiar with the installation of similar types of products. Not respecting the manual may damage the functionality of the set.
- This window seal set may only be installed by persons informed by this installation manual. The set must not be installed by persons younger than 18 years of age that have reduced physical or sensory perception or do not have the knowledge necessary for the installation of this portable air conditioner seal. During installation, it is necessary to prevent the danger of falling out the window.



Attention:

This portable air conditioner window seal must under no condition serve as a barrier preventing people or items from falling out the window. The person installing the product is responsible for safe installation.

- Keep this user's manual in a safe place where it can be easily retrieved for future use. In the event that you hand the air conditioner over to somebody else, make sure to also include this seal set installation manual.
- Carefully unpack the set and take care not to throw away any part of the packaging before you find all its parts.

PURPOSE OF THE SET

- The window seal set SAX W001 for Sencor portable air conditioners serves to reduce the passage of warm air from the outdoor environment into the interior and likewise for improved clamping of the exhaust/drain pipes from the portable air conditioner to the window. The textile barrier is equipped with a zip that enables the window to be fully opened when unzipped.

Set contents (fig. A):

- A1** Textile barrier with zip (length 4 m / width 42 cm at the widest location)
- A2** Self-adhesive zip roll (length 16 m / width 16 mm)

Usability of the set

- Although the sealing set is intended for a large range of window opening systems, there exist types for which it is not intended.
- Examples of suitable and unsuitable window opening systems are shown in fig. B.

INSTALLATION PROCEDURE

(Fig. C)

- 1 Open the window. Clean dust and grease away from the window frame and window pane in locations where the Velcro zip will be installed.
- 2 Stick the supplied Velcro zip strip along the perimeter of the window frame. After sticking it on, check that it is possible to close the window.
- 3 Stick the strip on to the side or front edge along the perimeter of the window pane.

(Fig. D)

- 4 Mark the middle of the seal and the centre of the window and the window frame (position C).
- 5 Open the window and attach the wider side (A) of the textile barrier to the Velcro zip. Start from the centre and continue towards the sides. Close the window and check that the textile barrier is not clamped in by the window in any location.
- 6 In the same way, attach the narrower side (B) of the textile barrier. **ATTENTION:** Leave the zip on the barrier closed.
- 7 Slightly open the window, undo the zip and insert the end of the air conditioner's air hose into the hole and close the zip. Now the textile barrier is installed and ready for use.



Note:

In the event that you decide to close the window, it is not necessary to remove the barrier. However, be careful not to clamp it into the window so as to prevent it from being damaged.

CLEANING AND MAINTENANCE

- To clean the barrier, use a soft sponge lightly dampened in warm water.
- To clean the barrier, do not use steel wool or aggressive cleaning products that could damage the surface.
- It is possible to wash the barrier in a washing machine at a temperature of 30 °C. The barrier must not be dried in a dryer.

