

SENCOR®

SMW 2120SS



MICROWAVE OVEN
Translation of the original manual

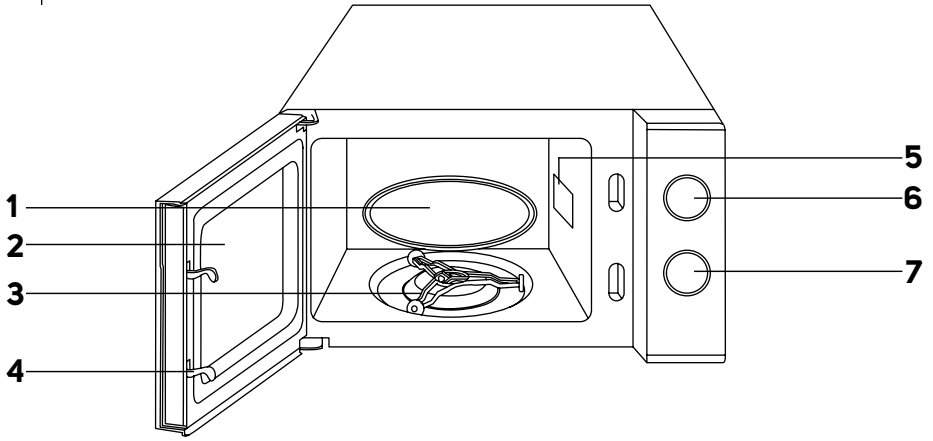


SENCOR®

SMW 2120SS



A



Important safety instructions

READ CAREFULLY AND STORE FOR FUTURE USE.

- This appliance may be used by children 8 years of age and older and by persons with physical, sensory, or mental impairments or by inexperienced persons, if they are properly supervised or have been informed about how to use the product in a safe manner and understand the potential dangers.
- Children must not play with the appliance.
- Cleaning and maintenance performed by the user must not be performed by unsupervised children.
- In the event that the power cord is damaged, have it repaired at a professional service centre to prevent causing a dangerous situation. It is forbidden to use the appliance if it has a damaged power cord.
- Children younger 8 years must be kept out of reach of the appliance and its power cord.
- This appliance is not intended to be controlled by a programmer, external timer, or remote control.
- Always clean the parts of the appliance that come into contact with food according to the instructions in this manual.

**WARNING:**

If the door or the door gasket seal is damaged then the oven must not be used until repaired by an authorised service centre.

**WARNING:**

It is dangerous for any untrained person to carry out any repairs or maintenance whatsoever that leads to the removal of any cover providing protection against microwave energy radiation.

**WARNING:**

Liquids or other food must not be heated in closed containers as they could explode.

- This appliance is designed for domestic use and similar locations such as:
 - kitchens in stores; offices and other work environments;
 - in agriculture;
 - guests of hotels, motels and other accommodation environments;
 - in bed and breakfast establishments.
- To ensure sufficient air circulation, free space must be left around the microwave oven. Ensure free space of 20 cm above the top surface of the oven, 10 cm from behind and on the sides. Do not block any opening of the oven. Do not remove the feet of the oven.
- Use only containers that are suitable for use in microwave ovens.
- Do not use metal containers for food preparation or heating beverages unless the manufacturer specifies the size

and shape of the metal containers suitable for microwave cooking.

- When heating a meal on plastic or paper dishes, frequently check the oven to prevent them from catching on fire.
- The microwave oven is designed for heating food and beverages. Dehydrating food or drying clothes and heating up heating cushions, home footwear, washing sponges, damp textiles and similar items may lead to an injury hazard, ignition, or fire.
- If smoke is being created, turn off the appliance or pull the plug out of the power socket and leave the door closed to prevent any potential fire from spreading.
- Microwave heating of drinks may cause a delayed boil, which must be considered when holding the container. Therefore, be careful when handling the container.
- The contents of baby bottles and baby food must be stirred through or shaken up and their temperature must be checked prior to consumption to prevent burns.
- Eggs in their shells and whole hard-boiled eggs must not be heated in the microwave oven because they could explode even after the microwave heating process has finished.
- Regularly clean any food remains from the door and the window of the oven from both sides, the door gasket seal, and neighbouring parts. For cleaning, we recommend the use of a weak kitchen detergent solution. Ensure that remains of the cleaning agent do not remain on the inside wall.

- Clean the oven regularly according to the above-mentioned instructions and remove any food that remains inside it. Failure to keep the oven clean could lead to surface damage, which could adversely affect the lifetime of the appliance and could lead to a dangerous situation.
- The appliance must not be cleaned using a steam cleaner.
- The microwave oven is intended to be placed on a countertop at a maximum height of 900mm.
- This microwave oven is intended for use as a free-standing appliance. It is not designed to be installed into a cabinet.
- The microwave oven must not be placed into a cabinet.



WARNING:
Hot surface.

- Before connecting the appliance to a power socket, check that the voltage on its rating label matches the electrical voltage in the power socket.
- Connect the appliance only to a properly grounded socket.
- Do not use the microwave oven outdoors or subject it to the effects of the outdoor environment.
- Do not place the microwave oven on window sills, kitchen sink drainboards or unstable surfaces. Always place it on a stable, even and dry surface.
- This microwave oven is intended for heating and preparation of food. Use is only for purposes described in this manual. Do not use corrosive chemicals or vapours.
- Never use the microwave oven in the direct vicinity of a bath, shower or swimming pool.
- Do not use the microwave for industrial or laboratory purposes.
- Kitchen dishes may become hot as a result of the heat transferred from the heated food. Sometimes it is necessary to use kitchen gloves.
- Do not use any of the following kitchen cookware, tableware or utensils in the microwave oven:
 - metal pans and crockery with metal handles or with metal decorations;
 - clamps on plastic bags;
 - dishes with melamine surface treatment;
 - standard thermometers, such as are used for measuring the temperature of meat, etc.
- Do not attempt to use the microwave oven with the door open. You could expose yourself to the harmful effect of microwaves. Do not run the microwave oven when it is empty.
- Be especially careful when handling heated beverages and foodstuffs as hot steam may be released from them.
- Do not fry food in the microwave oven. Hot oil may damage parts of the oven, dishes or may also cause skin burns.
- Before cooking, prick food that has a thick peel, such as potatoes, pumpkins, apples.
- Always make sure the turntable is removed or securely fixed inside the oven before moving it. Otherwise, there is a risk of its damage.
- Do not use the oven without correctly installed turntable.
- Some parts of the microwave oven may become hot while operation. Do not touch the heated surfaces. There is a risk of burns.
- When not using the oven, do not leave paper materials, kitchen dishes or food inside.
- Keep the inside of the oven clean. If the walls of the oven are splattered with food juices then wipe them away using a damp cloth. If the oven is heavily soiled, you can use a weak solution of a neutral kitchen detergent.
- Do not use the microwave oven if the power cord or power plug is damaged, if it is not working correctly, if it is damaged or if it has been dropped on the floor. Any repair of the microwave oven or replacement of a damaged power cord may only be carried out by an authorised service centre, as this will prevent a dangerous situation from occurring.

EN Microwave oven

User's manual

- Thank you for buying our SENCOR brand product and we believe you will be satisfied with it. Prior to using this appliance, please read the user's manual thoroughly, even in cases, when one has already familiarised themselves with previous use of similar types of appliances. Only use the appliance in the manner described in this user's manual. Keep this user's manual in a safe place where it can be easily retrieved for future use.
- We recommend saving the original cardboard box, packaging material, purchase receipt and responsibility statement of the vendor or warranty card for at least the duration of the legal liability for unsatisfactory performance or quality. In the event of transportation, we recommend that you pack the appliance in the original box from the manufacturer.



Note:

When the microwave oven is turned on for the first time, you may register a slight odour and smoke. This is a normal event that will disappear with use. When using it for the first time, we recommend that you place a bowl of water on the turning plate, set the oven to the maximum power level and run the oven for several minutes. The odour is easily eliminated in this way.

DESCRIPTION OF THE APPLIANCE

A1 Turning tray	A5 Magnetron cover
A2 Door viewing window	A6 Power setting knob
A3 Turntable holder	A7 Timer knob
A4 Safety door closing mechanism	

BEFORE FIRST USE

- Before first use, take the appliance and its accessories out of the packaging material and remove all promotional labels and stickers. Check that neither the appliance nor any of its parts is damaged.

INSTALLATION

1. Make sure that you have taken all packaging materials, such as plastic bags, polystyrene, etc. out from inside the oven.



Note:

Do not remove the cover of the magnetron, which is located on the right side of the inside area of the oven.



Warning:

Check whether the oven is damaged in any way, e.g. whether the oven door is incorrectly attached or dented, whether the door gasket seal is damaged or whether the hinges or locks are loose. If you discover any damage, do not use the oven and contact a qualified service technician.

2. The microwave oven must be placed on an even, stable surface, that can bear its weight even with the food inside.
3. Do not locate the oven near sources of heat, in locations with increased humidity or near flammable materials.
4. This appliance is designed to be used in open space, it is not designed to be built-in. Therefore, ensure sufficient free space around the oven. Leave at least 20 cm of free space above the top of the oven and at least 5 cm around its sides. The rear of the microwave oven may be located at the wall. Do not cover or block the vents. Do not remove the feet of the microwave oven.
5. Do not use the oven without the turning plate installed.
6. Make sure that the power cord is not underneath the oven or in contact with hot or sharp surfaces.
7. The electrical power socket must be easily accessible in case it is necessary to quickly disconnect the power cord. The power socket must be properly grounded.
8. Do not use the microwave oven outdoors

GROUNDING INSTRUCTIONS

- This microwave oven must be grounded. The microwave oven is equipped with a power cord, which has a grounding wire with a grounded power plug. The power plug must be connected to an electric power socket, which is properly installed and grounded. Grounding reduces the risk of electrical shock. In the case of a short circuit the electric current is conducted through the grounding wire. We recommend that the oven be connected to an independent electrical circuit.



Warning:

An incorrectly grounded power socket may present a danger of electrical shock.



Note:

If you have any questions regarding grounding or electrical instructions, consult all such matters with a qualified electrician or repair person. Neither the manufacturer nor the vendor take any responsibility for whatever damage to the oven or injury resulting from an incorrect electrical connection.

RADIO WAVE INTERFERENCE

The operation of the oven may cause interference to a radio, television or similar devices. If you register any interference, perform the following steps to limit or entirely eliminate the interference:

1. Clean the door and the door gasket seals.
2. Move the radio or television antenna to a different location.
3. Point the microwave oven away from the receiver.
4. Move the microwave oven farther away from the receiver.
5. Connect the power plug of the microwave oven into a different power socket so that the oven and the receiver have their own separate circuits.

USING THE MICROWAVE OVEN

1. Make sure the holder and turntable are correctly installed before using.



Note:

The turning tray must turn freely when the microwave oven is in operation.

2. Connect the power cord plug to a power socket.
3. Place food you want to heat into a container suitable for heating in the microwave oven. Open the oven door and place the container with food on the turning tray.
4. Close the oven door and set the desired power by turning the power setting knob and set the desired heating time by turning the timer knob.

Description	Power level
Low	Low (17 %)
Defrost	Defrost (33 %)
Medium	Medium (55 %)
High	High (77 %)
Max	Maximum (100 %)



Attention:

Do not leave the microwave oven in operation without supervision.

- When you choose defrost, use the timer knob to set the weight in the range from 0.2 kg to 1.0 kg
- If you wish to check the condition of the food during the cooking process, open the door. The microwave oven will automatically stop. Close the door to complete the cooking process.
- The microwave oven will turn itself off automatically at the end of the set time. If you wish to end the cooking process earlier, set the timer to 0.
- Take the container with the food out of the microwave oven.



Note:

Dishes may become hot as a result of the heat transferred from the heated food. In such a case use protective kitchen gloves.

- Check the food temperature before consuming it.

USING THE CORRECT KITCHEN COOKWARE

- The ideal type of cookware for cooking in the microwave oven is a transparent container, which permits the penetration of microwaves inside for the heating of food.
- Metal dishes or bowls with a metal rim should not be used, because microwaves cannot pass through metals.
- Do not use recycled paper products for cooking in the microwave because they may contain small metal particles.
- It is better to use circular or oval containers than square or rectangular containers. Food located in the corners has a tendency to overcook.
- You should use containers suitable for microwave ovens only in accordance with the instructions of the manufacturer.

This general list will help you select the right dishes.

Kitchen dishes	Safe use	Notes
Special plates for creating a crust	●	Do not use them longer than 8 minutes.
Porcelain and pottery dishes	●	Porcelain, pottery dishes including glazed dishes and bone porcelain are suitable if they do not have metal decorations.
Single use polyester plates	●	Plates are used for the packaging of some frozen foods.
Wrapped ready food		
• Polystyrene cups	●	May be used to heat foods. Overheating may cause the polystyrene to melt.
• Paper bags or newspapers	x	May catch on fire in the oven.
• Recycled paper or metal edging	x	May cause sparks in the oven.
Glass		
• Glass cookware	●	May be used if it doesn't have metal decorations.

• Fine glass	●	May be used to heat foods and beverages. Fine glass may crack, if it is suddenly heated to a higher temperature.
• Glass jars	●	Remove the lid. Use only for heating.
Metal dishes		
• Plates	x	May cause sparks in the oven or food to catch on fire.
• Metal bag clips	x	
Paper dishes		
• Plates, cups, napkins and kitchen paper towels	●	Are appropriate for a short time for heating and cooking, likewise for the absorption of excess moisture.
• Recycled paper	x	May cause sparks in the oven.
Plastic dishes		
• Dishes	●	Use only heat resistant plastics, other plastics may due to high temperatures lose their shape or colour. Do not use products from melamine.
• Wrapping foils	●	Use to maintain moisture, should not come into contact with food. When removing them be careful of the escaping steam.
• Bags for frozen foods	▲	Only if intended for cooking or resistant against high temperatures. Must not be airtight. If necessary penetrate using a fork.
Waxed paper	●	May be used to maintain moisture in foods and for preventing drops of fat and juices from spraying.

- recommended use; ▲ limited use; x not recommended;

THE BASICS OF COOKING IN A MICROWAVE OVEN

- Carefully organise the food. Place the larger food pieces on the perimeter of the dish.
- Place the food on an appropriate dish before putting it into the oven. Do not prepare food directly on the turning plate.
- Set the correct cooking time. We recommend that you set a shorter cooking time and extend it if necessary. When cooking foods at high temperatures smoke may be created or a fire may start.
- Cover the food before cooking. You will prevent juices from splashing around by covering the food.
- To speed up the cooking of foods, such as chickens or hamburgers, turn them over once during the cooking process. Large pieces of food such as roasts must be turned over at least once.
- When cooking, organise foods such to hamburgers from the top down and from the centre of the dish to its edge.

CLEANING AND MAINTENANCE

- Before cleaning the oven, always turn it off and disconnect it from the power supply.
- For cleaning, do not use cleaning products with an abrasive effect, solvents, etc. that could damage the appliance. No part of the microwave oven, except the turning plate, is intended to be washed in dishwasher.



Warning:

To prevent the risk of injury by electrical shock, do not submerge the appliance, power cord or power plug in water or any another liquid.

- To prevent damaging the operating components of the oven, make sure that during cleaning, water does not enter the ventilation openings located on the side of the microwave oven.

- Keep the microwave oven clean. Clean it regularly according to the instructions below and remove any food that remains inside it. Failure to keep the oven clean could lead to surface damage, which could adversely affect the lifetime of the appliance and could lead to a dangerous situation.



Warning:

Do not use steam cleaners to clean the microwave oven.

- Before first use and during using regularly clean and wash the turning tray. Wash the turning tray in warm water with a little of kitchen detergent, rinse thoroughly under clean water and wipe dry. The turning tray can be washed in a dishwasher.
- If the interior of the microwave oven becomes dirty, remove the turning tray and holder and wipe the inside walls with a soft sponge, slightly soaked in warm water. Wipe dry. If the interior is heavily soiled, soak the sponge in warm water with a little of washing-up liquid. Wipe dry with clean cloth. Do not use sprays or abrasive cleaning detergents. These may scratch the surface or leave stains or marks.
- The turning tray holder and the underside of the inside area of the oven should be regularly cleaned to prevent excessive noise. Simply clean out the underside of the inside area of the oven using a weak neutral kitchen detergent solution. You may clean the turning tray holder in a weak neutral kitchen detergent solution or in a dishwasher. After cleaning it, insert it back into the microwave oven.
- The outer surface, including the door and sealing of the microwave oven, wipe with a soft sponge, slightly soaked in warm water. Wipe dry with clean cloth.
- Wipe the control panel with dry cloth.
- If the door fogs up from the inside or the outside, wipe it using a clean, dry wiping cloth. This is a normal event, especially when preparing food with a high water content.
- To remove unpleasant odours from the inner area of the microwave oven, in a deep container mix one cup of water with the juice and peel of one lemon. Set the cooking time to 5–10 minutes. Then wipe out the inner area using a clean, dry wiping cloth.
- In the event that you need to replace the lighting inside the oven, please contact an authorised service centre.
- An unpleasant odour may develop when the microwave oven is not used for an extended period of time. To eliminate it, you can:
 - 1) Pour water into a large glass container and add a few lemon slices. Start the oven at the maximum power level for 2–3 minutes.
 2. Place a cup with red tea into the oven and start it at the maximum power level.
 3. Place orange peel into a larger bowl and start the oven at the maximum power level for 1 minute.

Storage

- When not using the appliance for an extended period of time, disconnect the power plug from the power socket, allow the appliance to cool down and clean it according to the instructions in chapter **»Cleaning and maintenance«**.
- Before storing it, check that the appliance and all its accessories are thoroughly clean and dry.
- Store the appliance in a dry, clean and well-ventilated location not exposed to extreme temperatures and out of children's reach.

BEFORE YOU CONTACT AN AUTHORISED SERVICE CENTRE

If the microwave oven is not working, check the following recommendations.

- check that the oven is properly connected to the power grid. If you are not sure, disconnect the power plug from the power socket, wait 10 seconds and then reconnect it.
- check that a circuit breaker has not disengaged. If the microwave oven is still not working, check on a different device whether the electric power socket is working.
- check that you have set the proper values on the control panel.
- check that the oven door is properly closed. Otherwise, it is not possible to start the set cooking program.

TECHNICAL SPECIFICATIONS

Rated voltage range.....	230 V-
Rated frequency.....	50 Hz
Rated power input.....	1050 W
Microwave power output.....	700 W
Noise level.....	63 dB(A)
Operating frequency.....	2 450 MHz
Diameter of the turning tray.....	25.5 cm
Volume.....	20 l (compact)
External dimensions.....	259 × 440 × 352 mm (h × w × d)
Weight.....	10,4 kg

The declared noise emission level of the appliance is 63 dB(A), which represents a level A of acoustic power with respect to a reference acoustic power of 1 pW.

We reserve the right to change text and technical specifications.

INSTRUCTIONS AND INFORMATION REGARDING THE DISPOSAL OF USED PACKAGING MATERIALS

Dispose of used packaging material at a site designated for waste in your municipality.

DISPOSAL OF USED ELECTRICAL AND ELECTRONIC EQUIPMENT



This symbol on products or original documents means that used electric or electronic products must not be added to ordinary municipal waste. For proper disposal, renewal and recycling hand over these appliances to determined collection points. Alternatively, in some European Union states or other European countries you may return your appliances to the local retailer when buying an equivalent new appliance.

Correct disposal of this product helps save valuable natural resources and prevents potential negative effects on the environment and human health, which could result from improper waste disposal. Ask your local authorities or collection facility for more details.

In accordance with national regulations penalties may be imposed for the incorrect disposal of this type of waste.

For business entities in European Union states

If you want to dispose of electric or electronic appliances, ask your retailer or supplier for the necessary information.

Disposal in other countries outside the European Union.

This symbol is valid in the European Union. If you wish to dispose of this product, request the necessary information about the correct disposal method from the local council or from your vendor.



This appliance meets all the basic requirements of EU directives related to it.

