

DISHWASHER

OWNER'S MANUAL

PHILCO



Famous for Quality the World Over

PDI 1468 BBIT

**Dear customer,
Thank you for buying a PHILCO brand product. So that your appliance serves you well, please read all the instructions in this user's manual.**

CONTENTS

| | |
|--|-----------|
| PART 1: SAFETY PRECAUTIONS | 3 |
| PART 2: PRODUCT OVERVIEW | 6 |
| PART 3: USING YOUR DISHWASHER | 8 |
| Loading The Salt Into The Softener..... | 8 |
| PART 4: BASKET LOADING TIPS | 10 |
| Loading the baskets according to EN60436..... | 13 |
| PART 5: QUICK USER GUIDE | 15 |
| Control Panel | 16 |
| Water Softener | 19 |
| Preparing And Loading Dishes..... | 20 |
| Function Of The Rinse Aid And Detergent..... | 22 |
| Filling The Rinse Aid Reservoir..... | 23 |
| Filling The Detergent Dispenser | 24 |
| PART 6: PROGRAMMING THE DISHWASHER | 26 |
| Wash Cycle Table | 26 |
| Saving Energy..... | 27 |
| Starting A program..... | 27 |
| Changing The Program Mid-cycle..... | 27 |
| Forget To Add A Dish? | 27 |
| Auto Open | 28 |
| PART 7: MAINTENANCE AND CLEANING | 29 |
| External Care..... | 29 |
| Internal Care..... | 29 |
| Caring For The Dishwasher | 31 |
| PART 8: INSTALLATION INSTRUCTION | 33 |
| About Power Connection..... | 33 |
| Water Supply And Drain | 34 |
| Connection Of Drain Hoses | 35 |
| Positioning The Appliance | 35 |
| Built-In Installation (for the integrated model) | 36 |
| PART 9: TROUBLESHOOTING TIPS | 40 |
| Availability Of Spare Parts..... | 42 |
| PART 10: ERROR CODES | 43 |
| PART 11: TECHNICAL INFORMATION | 44 |
| PART 12: PRODUCT INFORMATION SHEET | 45 |




This appliance has been tested in accordance with the directives in force in the European Union.
This appliance conforms to the relevant safety provisions for electrical appliances in force in the European Union.

Dear Customer,


Please read this manual carefully before using the dishwasher.
Keep this manual for future reference.

PART 1: SAFETY PRECAUTIONS

 **WARNING!** Please adhere to the precautions below when using the dishwasher:

- This appliance can be used by children aged from 8 years and above and by persons with reduced physical, sensory or mental capabilities or lack of experience and knowledge if they have been given supervision or instructions concerning use of the appliance in a safe way and if they understand the hazards involved.
- Children must not play with the appliance.
- Cleaning and user maintenance cannot be performed by children without supervision.
- The dishwasher is designed for 14 place settings.
The correct placement of dishes in the dishwasher can be found on page 13.
- If the supply cable gets damaged, have it replaced by a specialized service center in order to avoid dangerous situations. It is prohibited to use an appliance with the supply cable damaged.
- Do not leave the door in the open position to prevent the risk of tripping.

When storing dishes into the dishwasher:

-  **WARNING:** Knives and other utensils with sharp points and edges must be placed in the basket with points facing downwards or stored horizontally.
- Sharp items should be placed so that they cannot damage the door gasket.

This appliance is intended to be used only in households and not in similar premises, such as:

- kitchenettes in shops, offices and other workplaces;
 - appliances used by guests in hotels, motels, and other accommodation facilities;
 - appliances used in bed and breakfast facilities;
 - appliances used in catering and other similar non-vending environments.
-
- Do not use the dishwasher to wash plastic items that have not been labeled as dishwasher safe by the manufacturer. The presence of plastic dishes in the dishwasher causes worsening of drying process results. Please adhere to the manufacturer's recommendations regarding plastic items that have not been labeled as dishwasher safe.
 - For dishwashers that are equipped with ventilation openings in their bottom section, these openings must not be covered with a carpet.
-
- Do not sit or stand on the door and dish baskets of the dishwasher and do not use force during operation.
 - Do not place any heavy items on the appliance and do not stand on the door when it is open. The appliance might tip over towards the front.

Use only detergents and polishing agents intended to be used with automatic dishwashers. Never use soap, detergents or washing agents for manual dish washing.

Make sure to prevent children from accessing detergents and polishing agents and also open door of the dishwasher that might contain residues of the agents as they are strongly alkaline and might be very dangerous.

The appliance, the power cord or the electric outlet must not lie in, touch or be submerged in water or any other liquid to avoid electrical hazards.

If the power cord gets damaged, it must be replaced by the manufacturer, its service technician or another person with similar qualification so that safety is not jeopardized.

The appliance must not stand on the power cord.

The appliance should be connected to the water supply using a new hose, not using a hose that has already been used.

Dispose of packaging in a proper manner.

The power cord must not be excessively or dangerously bent or compressed during installation.

The controls are not to be played with.

Make sure that the openings in the bottom part of the appliance are not blocked by the carpet.

The dishwasher should be used only for the purpose it was intended for - for washing dishes.

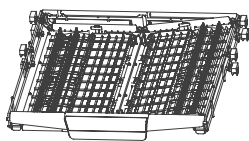
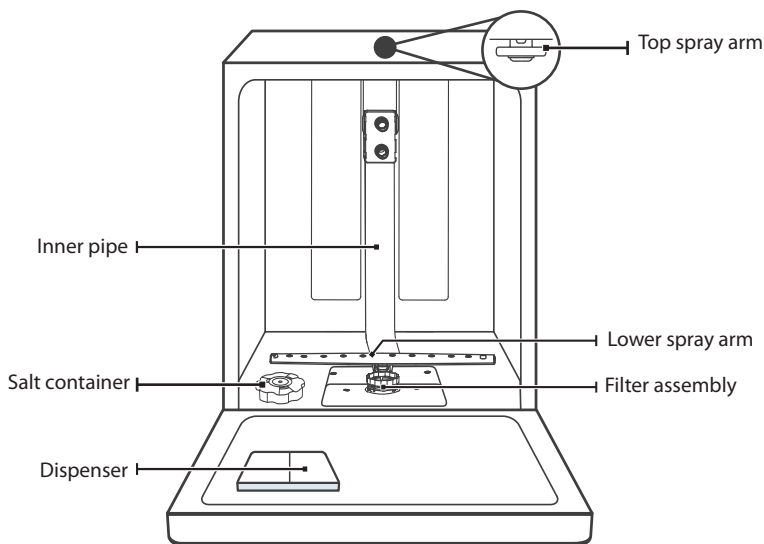
This dishwasher is for interior use only.

PLEASE READ THOSE SAFETY PRECAUTIONS CAREFULLY AND STORE THEM FOR FUTURE REFERENCE.

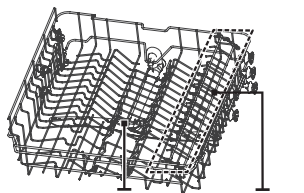
PART 2: PRODUCT OVERVIEW

IMPORTANT:

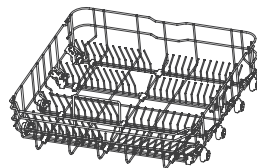
To get the best performance from your dishwasher, read all operating instructions before using it for the first time.



Cutlery rack



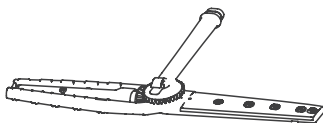
Upper spray arm
Upper basket



Lower basket

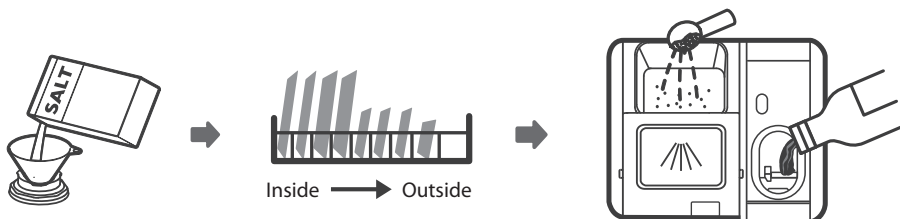
360°Water spray system

The breakthrough innovative spray arm uses two separate rotating axes to maximize water spray to all corners of the dishwasher, ensuring every item receives an exceptional clean.



PART 3: USING YOUR DISHWASHER

Before using your dishwasher:



1. Set the water softener
2. Loading the salt into the softener
3. Loading the basket
4. Fill the detergent dispenser

Please check the "Water Softener", if you need to set the water softener.

Loading The Salt Into The Softener

NOTE:

If your model does not have any water softener, you may skip this section.

Always use salt intended for dishwasher use.

The salt container is located beneath the lower basket and should be filled as explained in the following:

WARNING:

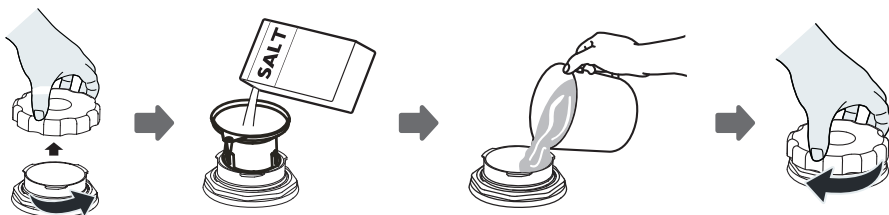
• **Only use salt specifically designed for dishwashers use!**

Every other type of salt not specifically designed for dishwasher use, especially table salt, will damage the water softener. In case of damages caused by the use of unsuitable salt the manufacturer does not give any warranty nor is liable for any damages caused.

• **Only fill with salt before running a cycle.**

This will prevent any grains of salt or salty water, which may have been spilled, remaining on the bottom of the machine for any period of time, which may cause corrosion.

Please follow the steps below for adding dishwasher salt:



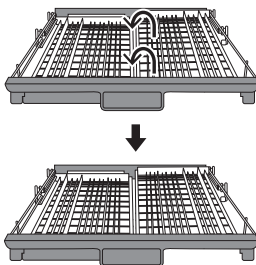
1. Remove the lower basket and unscrew the reservoir cap.
2. Place the end of the funnel (if supplied) into the hole and pour in about 1.5 kg of dishwasher salt.
3. Fill the salt container to its maximum limit with water, It is normal for a small amount of water to come out of the salt container.
4. After filling the container, screw back the cap tightly.
5. The salt warning light will turn off after the salt container has been filled with salt.
6. Immediately after filling the salt into the salt container, a washing program should be started (We suggest to use a short program). Otherwise the filter system, pump or other important parts of the machine may be damaged by salty water. This is out of warranty.

NOTE:

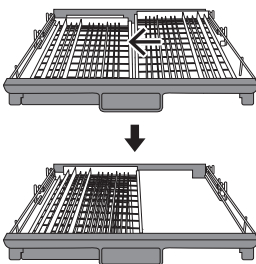
- The salt container must only be refilled when the salt warning light (⚠) in the control panel comes on. Depending on how well the salt dissolves, the salt warning light may still be on even though the salt container is filled.
If there is no salt warning light in the control panel (for some models), you can estimate when to fill the salt into the softener by the cycles that the dishwasher has run.
- If salt has spilled, run a soak or quick program to remove it.

PART 4: BASKET LOADING TIPS

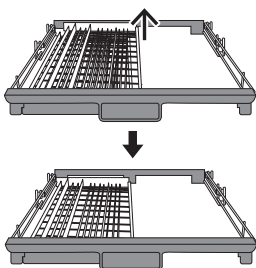
Adjusting cutlery rack



Lift the right basket up, both left and right baskets are flat.



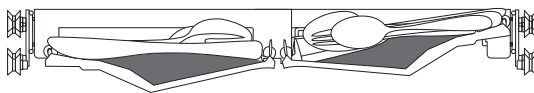
Move the right basket from right to left, two baskets are overlapping.



Remove the right basket from the tray, only has the left basket.

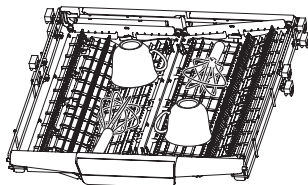
Easy removal of cutlery

Using the principle of crank slider mechanism, the cutlery are suspended. Convenient finger goes deep under the knife and fork, and holds several cutlery at a time.



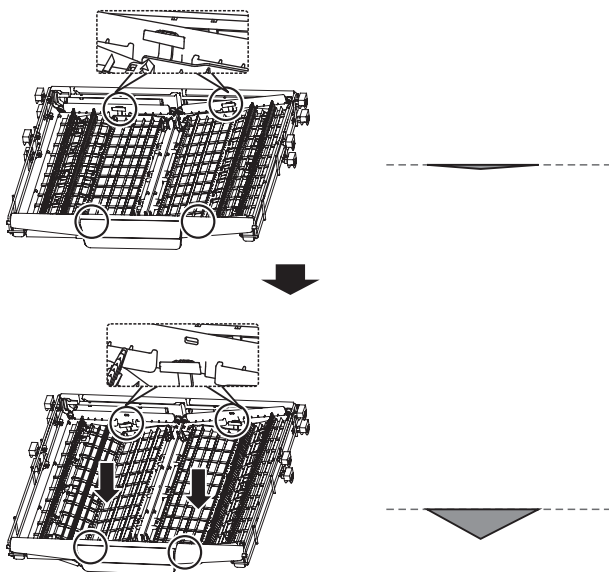
Make the most of space

It can accommodate dishes such as egg beaters, cups, etc., and does not affect the upper basket.



Adjust the height of the rack

Loosen the four buttons on the tray and press down gently.

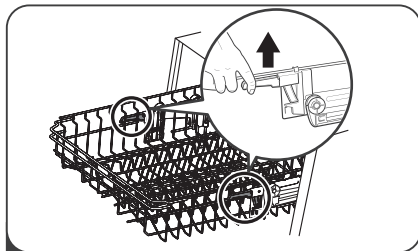
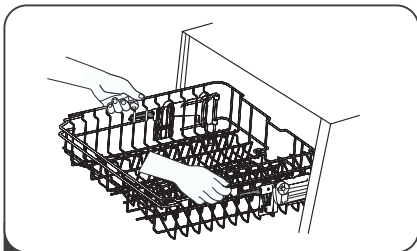


Adjusting the upper basket

Type 1:

The height of the upper basket can be easily adjusted to accommodate taller dishes in either the upper or lower basket.

To adjust the height of the upper rack, follow these steps:



1. To raise the upper basket, just lift the upper basket at the center of each side until the basket locks into place in the upper position. It is not necessary to lift the adjuster handle.
2. To lower the upper basket, lift the adjust handles on each side to release the basket and lower it to the lower position.

Folding back the cup shelves

To make room for taller items in the upper basket, raise the cup rack upwards.

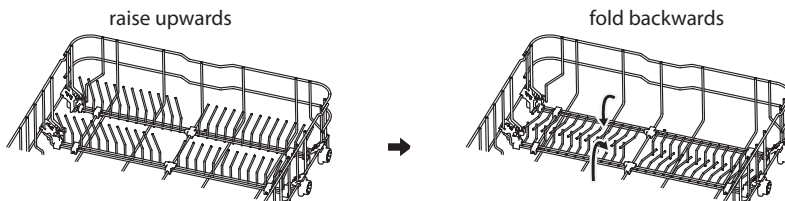
You can then lean the tall glasses against it. You can also remove it when it is not required for use.



Folding back the rack shelves

The spikes of the lower basket are used for holding plates and a platter.

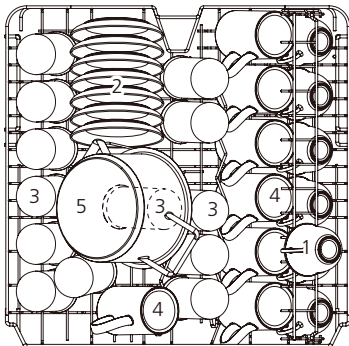
They can be lowered to make more room for large items.



Loading the baskets according to EN60436

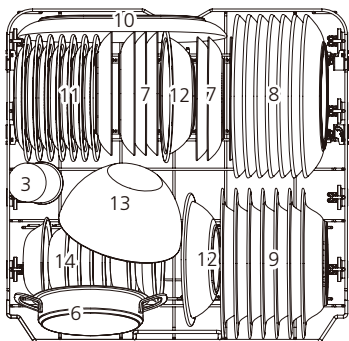
Loading the dishwasher to its full capacity will contribute to energy and water savings.

1. Upper basket:



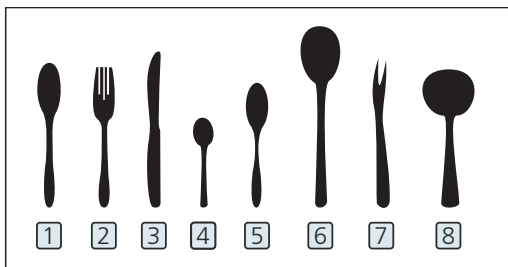
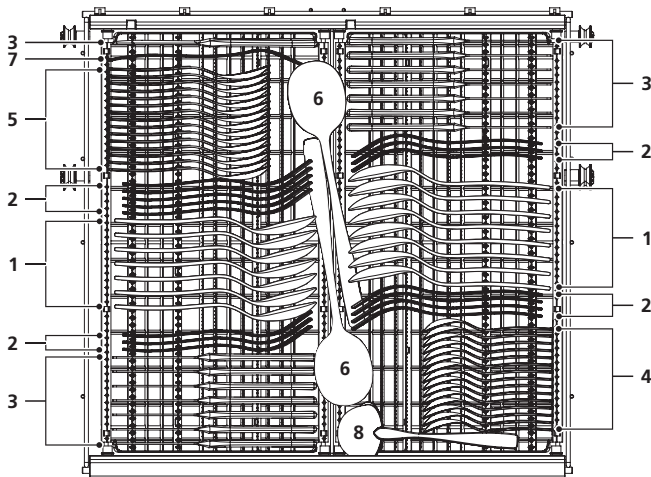
- 1 Cups
- 2 Saucers
- 3 Glasses
- 4 Mugs
- 5 Small pot

2. Lower basket:



- 6 Oven pot
- 7 Dessert plates
- 8 Dinner plates
- 9 Soup plates
- 10 Oval platter
- 11 Melamine dessert plates
- 12 Melamine bowls
- 13 Glass bowl
- 14 Dessert bowls

3. Cutlery rack:



- 1 Soup spoons
- 2 Forks
- 3 Knives
- 4 Tea spoons
- 5 Dessert spoons
- 6 Serving spoons
- 7 Serving fork
- 8 Gravy ladle

Information for comparability tests in accordance with EN60436

Capacity: 14 place settings

Position of the upper basket: lower position

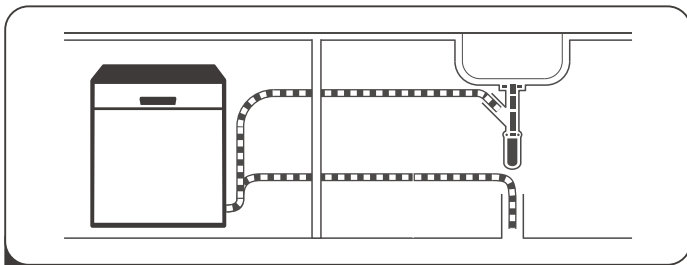
Program: ECO

Rinse aid setting: Max

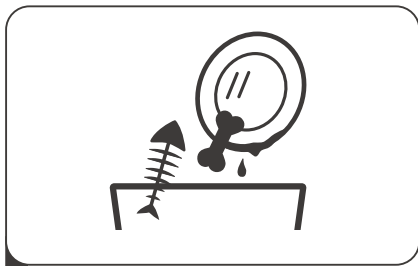
Softener setting: H3

PART 5: QUICK USER GUIDE

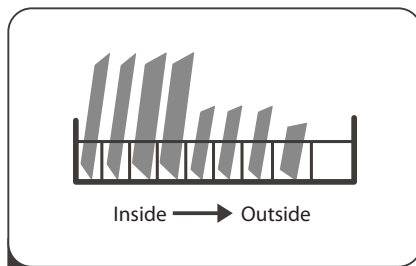
Please read the corresponding content on the instruction manual for detailed operating method.



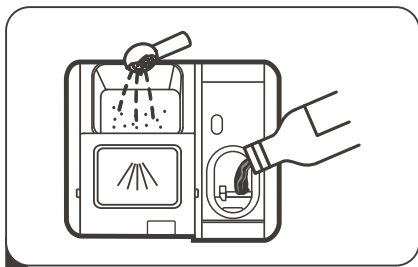
1. Install the dishwasher
(Please check the section INSTALLATION INSTRUCTION.)



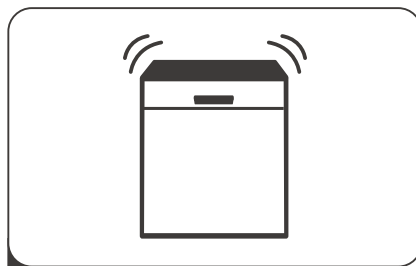
2. Removing the larger residue on the cutlery.



3. Loading the baskets.

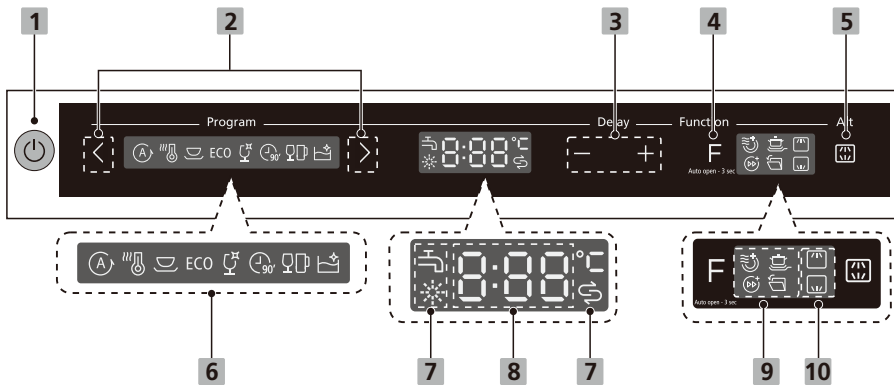


4. Filling the dispenser.






















5. Selecting a program and running the dishwasher.

Control Panel



| | |
|--------------------|---|
| 1 Power | Press the button to turn on your dishwasher, the screen lights up. |
| 2 Program | Press the "<" or ">" button to select a program, and the corresponding indicator will be lit. |
| 3 Delay +/- | Press the "+" button to add the delay time or press the "-" button to decrease the delay time, maximum 24 hours delay can be defined. |
| 4 Function | Press the button to select a function, corresponding indicator will be lit. |
| 5 Alt | Press the button to select either upper basket or lower basket loaded, and the response indicators will be lit. |

| | |
|-----------------------------------|---|
| <p>6 Program indicator</p> | <p> Auto For lightly, normally or heavily soiled crockery with or without dried-on food.</p> <p> Hygiene With the sanitize option selected, the water temperature is increased to 70 °C for high temperature sanitization.</p> <p> Universal For normally soiled loads, such as pots, plates, glasses and lightly soiled pans.</p> <p>ECO ECO This is standard program, it is suitable to clean normally soiled tableware and it is the most efficient program in terms of its combined energy and water consumption for that type of tableware.</p> <p> Glass For lightly soiled crockery and glass.</p> <p> 90 min For normally soiled loads that need quick wash.</p> <p> Party wash For lightly soiled loads, such as glasses, crystal and fine china.</p> <p> Self-Clean This program provides an effective cleaning of the dishwasher itself.</p> |
| <p>7 Warning indicator</p> | <p> Rinse Aid If the “” indicator is lit, it means the dishwasher is low on dishwasher rinse aid and requires a refill.</p> <p> Salt If the “” indicator is lit, it means the dishwasher is low on dishwasher salt and needs to be refilled.</p> <p> Water Faucet If the “” indicator is lit, it means the water faucet closed.</p> |

| | |
|-----------------------------|---|
| 8 Screen | To show the reminding time and delay time,error codes etc. |
| 9 Function indicator | <p> Extra Drying To dry dishes more completely. (It can only be used with Hygiene, Universal, ECO, Glass, 90 min)</p> <p> Strong wash To wash very dirty, hard to clean dishes. (It can only be used with Hygiene, Universal, ECO, Glass, 90 min)</p> <p> Turbo speed+ Reduce the program time. (It can only be used with Hygiene, Universal, ECO, Glass, 90 min)</p> <p> Auto open The dishwasher door opens automatically at the end of the program, which improves the drying results. When you pressing the function button for 3 seconds, corresponding indicator will be lit.</p> |
| 10 Alt indicator | <p> Upper When you select Upper, only the upper rack nozzle is activated. The lower nozzle will not operate.</p> <p> Lower When you select Lower, only the lower rack nozzle is activated. The upper nozzle will not operate.</p> |

Water Softener

The water softener must be set manually, using the water hardness dial.

The water softener is designed to remove minerals and salts from the water, which would have a detrimental or adverse effect on the operation of the appliance.

The more minerals there are, the harder your water is.

The softener should be adjusted according to the hardness of the water in your area.

Your local Water Authority can advise you on the hardness of the water in your area.

Adjusting salt consumption

The dishwasher is designed to allow for adjustment in the amount of salt consumed based on the hardness of the water used. This is intended to optimise and customise the level of salt consumption.

Please follow the steps below for adjustment in salt consumption.

1. Open the door, switch on the appliance;
2. Within 60 seconds after the appliance was switched on, press the Program button ">" for more than 5 seconds, then press "+" to enter the water softener setting mode.
3. Press the ">" button again to select the proper set according to your local environment, the setting will change in the following sequence: H1->H2->H3->H4->H5->H6;
4. Press the Power button to end the setting mode.

| WATER HARDNESS | | | | Water softener level | Regeneration occurs every X program sequence ¹⁾ | Salt consumption (gram/cycle) |
|----------------|------------|-----------------|-----------|----------------------|--|-------------------------------|
| German °dH | French °fH | British °Clarke | Mmol/l | | | |
| 0 - 5 | 0 - 9 | 0 - 6 | 0 - 0.94 | H1 | No regeneration | 0 |
| 6 - 11 | 10 - 20 | 7 - 14 | 1.0 - 2.0 | H2 | 10 | 9 |
| 12 - 17 | 21 - 30 | 15 - 21 | 2.1 - 3.0 | H3 | 5 | 12 |
| 18 - 22 | 31 - 40 | 22 - 28 | 3.1 - 4.0 | H4 | 3 | 20 |
| 23 - 34 | 41 - 60 | 29 - 42 | 4.1 - 6.0 | H5 | 2 | 30 |
| 35 - 55 | 61 - 98 | 43 - 69 | 6.1 - 9.8 | H6 | 1 | 60 |

1°dH = 1.25 °Clarke = 1.78 °fH = 0.178 mmol/l

The factory setting: H3

- ¹⁾ Every cycle with a regeneration operation consumes additional 2.0 litres of water, the energy consumption increases by 0.02 kWh and the program extends by 4 minutes.

Please check the section Loading The Salt Into The Softener, If your dishwasher lacks salt.

NOTE:

If your model does not have any water softener, you may skip this section.

Water Softener

The hardness of the water varies from place to place. If hard water is used in the dishwasher, deposits will form on the dishes and utensils.

The appliance is equipped with a special softener that uses a salt container specifically designed to eliminate lime and minerals from the water.

Preparing And Loading Dishes

- Consider buying utensils which are identified as dishwasher-proof.
- For particular items, select a program with the lowest possible temperature.
- To prevent damage, do not take glass and cutlery out of the dishwasher immediately after the program has ended.

For washing the following cutlery/dishes

Are not suitable

- Cutlery with wooden, horn china or mother-of-pearl handles
- Plastic items that are not heat resistant
- Older cutlery with glued parts that are not temperature resistant
- Bonded cutlery items or dishes
- Pewter or cooper items
- Crystal glass
- Steel items subject to rusting
- Wooden platters
- Items made from synthetic fibres

Are of limited suitability

- Some types of glasses can become dull after a large number of washes
- Silver and aluminum parts have a tendency to discolour during washing
- Glazed patterns may fade if machine washed frequently

Recommendations for loading the dishwasher

Scrape off any large amounts of leftover food. Soften remnants of burnt food in pans. It is not necessary to rinse the dishes under running water.

For best performance of the dishwasher, follow these loading guidelines.

(Features and appearance of baskets and cutlery baskets may vary from your model.)

Place objects in the dishwasher in following way:

- Items such as cups, glasses, pots/pans, etc. are faced downwards.
- Curved items, or ones with recesses, should be loaded aslant so that water can run off.
- All utensils are stacked securely and can not tip over.
- All utensils are placed in the way that the spray arms can rotate freely during washing.
- Load hollow items such as cups, glasses, pans etc. With the opening facing downwards so that water cannot collect in the container or a deep base.
- Dishes and items of cutlery must not lie inside one another, or cover each other.
- To avoid damage, glasses should not touch one another.
- The upper basket is designed to hold more delicate and lighter dishware such as glasses, coffee and tea cups.
- Long bladed knives stored in an upright position are a potential hazard!
- Long and / or sharp items of cutlery such as carving knives must be positioned horizontally in the upper basket.
- Please do not overload your dishwasher. This is important for good results and for reasonable consumption of energy.

NOTE:

Very small items should not be washed in the dishwasher as they could easily fall out of the basket.

Removing the dishes

To prevent water dripping from the upper basket into the lower basket, we recommend that you empty the lower basket first, followed by the upper basket.

**WARNING**

Items will be hot! To prevent damage, do not take glass and cutlery out of the dishwasher for around 15 minutes after the program has ended.

Loading the upper basket

The upper basket is designed to hold more delicate and lighter dishware such as glasses, coffee and tea cups and saucers, as well as plates, small bowls and shallow pans (as long as they are not too dirty). Position the dishes and cookware so that they will not get moved by the spray of water.

**Loading the lower basket**

We suggest that you place large items and the most difficult to clean items are to be placed into the lower basket: such as pots, pans, lids, serving dishes and bowls, as shown in the figure below. It is preferable to place serving dishes and lids on the side of the racks in order to avoid blocking the rotation of the top spray arm. The maximum diameter advised for plates in front of the detergent dispenser is of 19 cm, this not to hamper the opening of it.

**Loading the cutlery basket**

Cutlery should be placed in the cutlery rack separately from each other in the appropriate positions, and do make sure the utensils do not nest together, this may cause bad performance.



WARNING

Do not let any item extend through the bottom.
Always load sharp utensils with the sharp point down!

For the best washing effect, please load the baskets refer to standard loading options.

Function Of The Rinse Aid And Detergent

The rinse aid is released during the final rinse to prevent water from forming droplets on your dishes, which can leave spots and streaks. It also improves drying by allowing water to roll off the dishes. Your dishwasher is designed to use liquid rinse aids.

WARNING

Only use branded rinse aid for dishwasher. Never fill the rinse aid dispenser with any other substances (e.g. Dishwasher cleaning agent, liquid detergent). This would damage the appliance.

When to refill the rinse aid

The regularity of the dispenser needing to be refilled depends on how often dishes are washed and the rinse aid setting used.

- The Low Rinse Aid indicator (☼) will be lit when more rinse aid is needed.
- Do not overfill the rinse aid dispenser.

Function of detergent

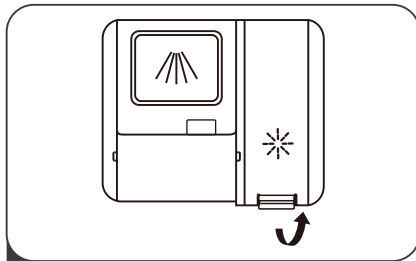
The chemical ingredients that compose the detergent are necessary to remove, crush and dispense all dirt out of the dishwasher. Most of the commercial quality detergents are suitable for this purpose.

WARNING

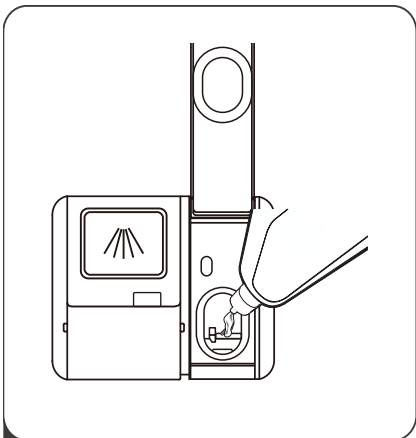
- Proper Use of Detergent
Use only detergent specifically made for dishwashers use. Keep your detergent fresh and dry.
Don't put powdered detergent into the dispenser until you are ready to wash dishes.
- **Dishwasher detergent is corrosive! Keep dishwasher detergent out of the reach of children.**



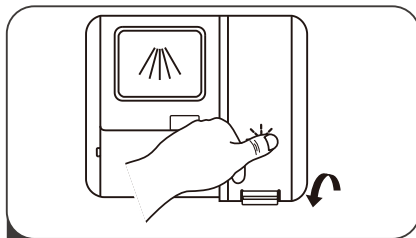
Filling The Rinse Aid Reservoir



1. Remove the rinse reservoir cap by lifting up the handle.



2. Pour the rinse aid into the dispenser, being careful not to overfill.



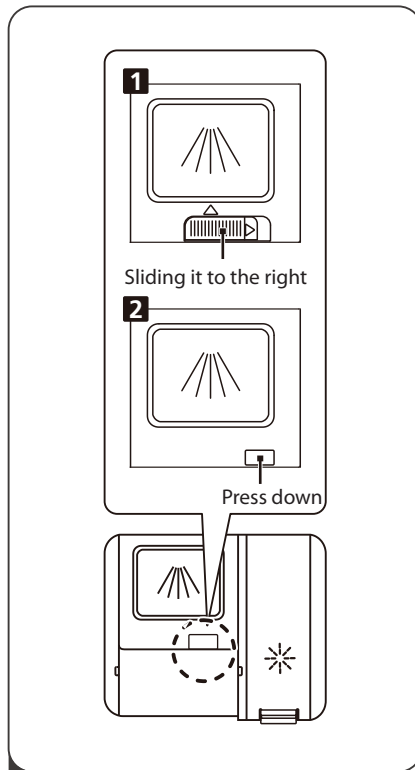
3. Close the cap after all.

Adjusting the rinse aid reservoir

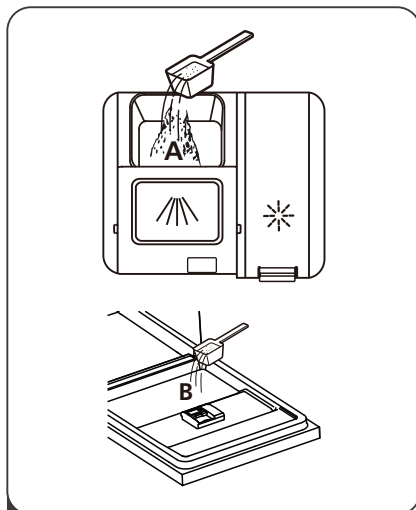
To achieve a better drying performance with limited rinse aid, the dishwasher is designed to adjust the consumption by user. Follow the below steps.

1. Open the door and switch on the appliance.
2. Within 60 seconds after step 1, press the Program button ">" more than 5 seconds, and then press the Delay button "+" to enter the set model, the rinse aid indication blinks as 1Hz frequency.
3. Press the Program button ">" to select the proper set according to your using habits, the sets will change in the following sequence: d3->d4->d5->d1->d2->d3.
The higher the number, the more rinse aid the dishwasher uses.
4. Without operation in 5 seconds or press the Power button to complete the setup and exit the setup mode.

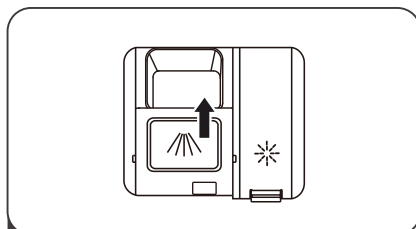
Filling The Detergent Dispenser



1. Please choose an open way according to the actual situation.
 1. Open the cap by sliding the release catch.
 2. Open the cap by pressing down the release catch.



2. Add detergent into the larger cavity (A) for the main wash cycle .
For better cleaning result, especially if you have very dirt items, pour a small amount of detergent onto the door. The additional detergent will activate during the pre-wash phase.



3. Close the flap by sliding it to the front and then pressing it down.

NOTE:








***Be aware that depending on the soiling of water, setting may be different.
Please observe the manufacturer's recommendations on the detergent packaging.***

PART 6: PROGRAMMING THE DISHWASHER

Wash Cycle Table

The table below shows which programs are best for the levels of food residue on them and how much detergent is needed. It also show various information about the programs.

(●) Means: need to fill rinse into the Rinse-Aid Dispenser.

| Program | Description Of Cycle | Detergent Pre/Main Wash | Running Time (min) | Energy (kWh) | Water (L) | Rinse Aid |
|--|--|--------------------------|--------------------|--------------|-----------|-----------|
|  AUTO | Pre-wash (45 °C) AutoWash (55-65 °C) Rinse Rinse (50-55 °C) Drying | 4/18g (1 or 2 pieces) | 85-150 | 0,850-1,550 | 8,5-18,7 | ● |
|  Hygiene | Wash (72 °C) Rinse Rinse (72 °C) Drying | 22g (1 or 2 pieces) | 215 | 1,815 | 14,9 | ● |
|  Universal | Pre-wash (45 °C) Wash (55 °C) Rinse Rinse (55 °C) Drying | 4/18g (1 or 2 pieces) | 175 | 1,230 | 14,8 | ● |
| ECO (*EN60436) | Wash (50 °C) Rinse Rinse (40 °C) Drying | 4/18g (1 or 2 pieces) | 235 | 0,645 | 9,8 | ● |
|  Glass | Pre-wash Wash (50 °C) Rinse (50 °C) Rinse (50 °C) Drying | 4/18g (1 piece) | 120 | 0,995 | 14,8 | ● |
|  90 min | Wash (60 °C) Rinse Rinse (50 °C) Drying | 22g (1 piece) | 90 | 1,180 | 11,9 | ● |
|  Party | Wash (35 °C) Rinse (35 °C) | 12g (1 piece) | 20 | 0,410 | 11,3 | ○ |
|  Self-Clean | Prewash Wash (60 °C) Rinse Rinse (60 °C) Drying | 4/18g (1 piece) | 145 | 1,405 | 15,1 | ● |

NOTE:

ECO (*EN60436):

This program is the test cycle. The information for comparability test in accordance with EN60436.

Saving Energy

1. Pre-rinsing of tableware items leads to increased water and energy consumption and is not recommended.
2. Washing tableware in a household dishwasher usually consumes less energy and water in the use phase than hand dishwashing when the household dishwasher is used according to the instructions.

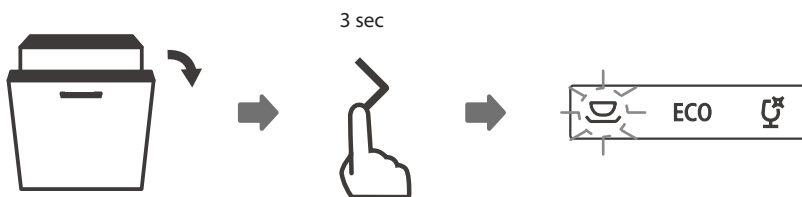
Starting A program

1. Draw out the lower and upper basket, load the dishes and push them back. It is commended to load the lower basket first, then the upper one.
2. Pour in the detergent.
3. Insert the plug into the socket. The power supply refer to "Product fiche". Make sure that the water supply is turned on to full pressure.
4. Open the door, Press the Power button.
5. Choose a program, the response light will turn on. Then close the door, the dishwasher will start its cycle.

Changing The Program Mid-cycle

A program can only be changed if it has been running only for a short period of time, otherwise the detergent may have already been released or the wash water with detergent has already been drained. If this is the case, the dishwasher needs to be reset and the detergent dispenser must be refilled. To reset the dishwasher, follow the instructions below:

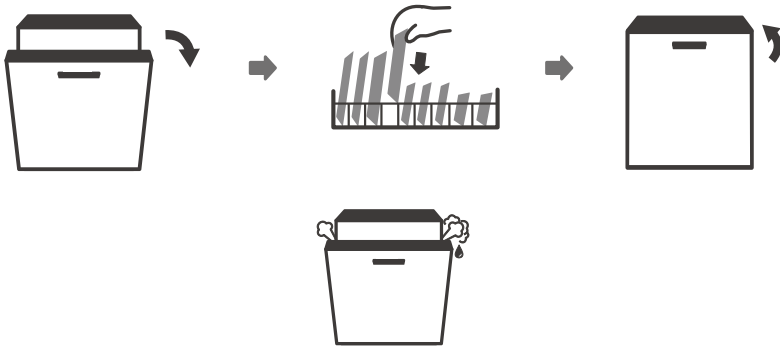
1. Open the door a little to stop the dishwasher, after the spray arm stopped working, you can open the door completely.
2. Press ">" button more than three seconds the machine will be in program selection mode.
3. You can change the program to the desired cycle setting.



Forget To Add A Dish?

A forgotten dish can be added any time before the detergent dispenser opens. If this is the case, follow the instructions below:

1. Open the door a little to stop the washing.
2. After the spray arms stop working, you can open the door completely.
3. Add the forgotten dishes.
4. Close the door. The dishwasher will start after 10 seconds.



WARNING

It is dangerous to open the door mid-cycle, as hot steam may scald you.

Auto Open

After washing, the door will open automatically to achieve better drying effect.



NOTE:

The dishwasher door must not be blocked when set to open automatically.

This can disrupt door lock functionality.

The party program don't have the Auto open function.

PART 7: MAINTENANCE AND CLEANING

External Care

The door and the door seal

Clean the door seals regularly with a soft damp cloth to remove food deposits.

When the dishwasher is being loaded, food and drink residues may drip onto the sides of the dishwasher door. These surfaces are outside the wash cabinet and are not accessed by water from the spray arms. Any deposits should be wiped off before the door is closed.

The control panel

If cleaning is required, the control panel should be wiped with a soft damp cloth only.

WARNING:

- To avoid penetration of water into the door lock and electrical components, do not use a spray cleaner of any kind.
- Never use abrasive cleaners or scouring pads on the outer surfaces because they may scratch the finish. Some paper towels may also scratch or leave marks on the surface.

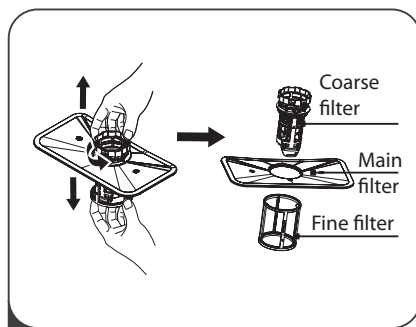
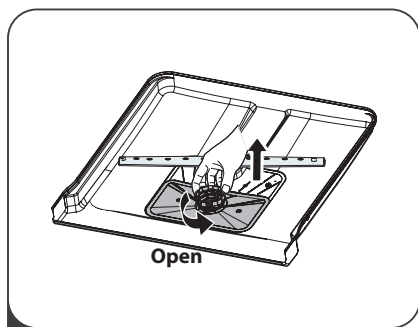
Internal Care

Filtering system

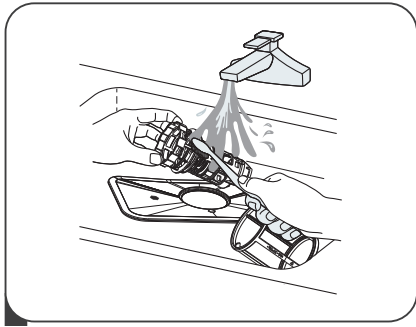
The filtering system in the base of the wash cabinet retains coarse debris from the washing cycle, including foreign objects such as tooth picks or shards. The collected coarse debris may cause the filters to clog. Check the condition of the filters regularly, carefully remove foreign objects and clean the parts of the filtering system if necessary with water. Follow the steps below to clean the filter.

NOTE:

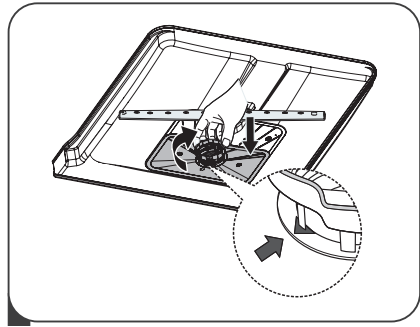
Pictures are only for reference, different models of the filtering system and spray arms may be different.



1. Hold the coarse filter and rotate it 2 anticlockwise to unlock the filter. Lift the filter upwards and out of the dishwasher.
2. The fine filter can be pulled off the bottom of the filter assembly. The coarse filter can be detached from the main filter by gently squeezing the tabs at the top and pulling it away.



3. Larger food remnants can be cleaned by rinsing the filter under running water. For a more thorough clean, use a soft cleaning brush.



4. Reassemble the filters in the reverse order of the disassembly, replace the filter insert, and rotate clockwise to the close arrow.

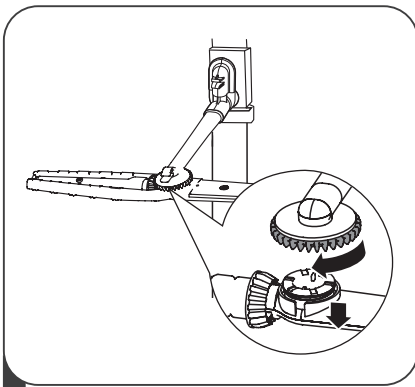
WARNING:

- Do not over tighten the filters. Put the filters back in sequence securely, otherwise coarse debris could get into the system and cause a blockage.
- Never use the dishwasher without filters in place. Improper replacement of the filter may reduce the performance level of the appliance and damage dishes and utensils.

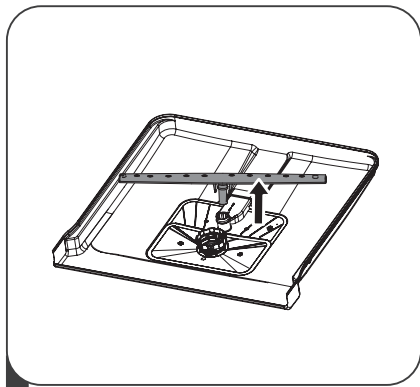
Spray arms

It is necessary to clean the spray arms regularly for hard water chemicals will clog the spray arm jets and bearings.

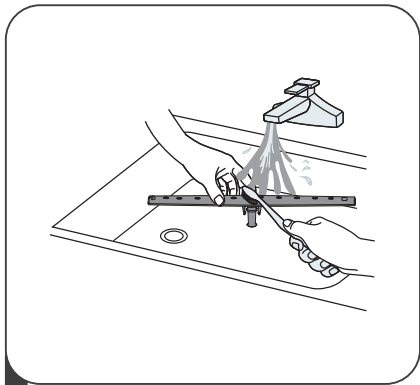
To clean the spray arms, follow the instructions below:



1. To remove the upper spray arm, hold the nut in the center still and rotate the spray arm clockwise to remove it.



2. To remove the lower spray arm, pull out the spray arm upward.



3. Wash the arms in soapy and warm water and use a soft brush to clean the jets.

Caring For The Dishwasher

Frost precaution

Please take frost protection measures on the dishwasher in winter. Every time after washing cycles, please operate as follows:

1. Cut off the electrical power to the dishwasher at the supply source.
2. Turn off the water supply and disconnect the water inlet pipe from the water valve.
3. Drain the water from the inlet pipe and water valve. (Use a pan to gather the water)
4. Reconnect the water inlet pipe to the water valve.
5. Remove the filter at the bottom of the tub and use a sponge to soak up water in the sump.

After every wash

After every wash, turn off the water supply to the appliance and leave the door slightly open for a while so that moisture and odors are not trapped inside.

Remove the plug

Before cleaning or performing maintenance, always remove the plug from the socket.

No solvents or abrasive cleaning

To clean the exterior and rubber parts of the dishwasher, do not use solvents or abrasive cleaning products. Only use a cloth with warm soapy water.

To remove spots or stains from the surface of the interior, use a cloth dampened with water and a little vinegar, or a cleaning product made specifically for dishwashers.

When not in use for a long time

It is recommended that you run a wash cycle with the dishwasher empty and then remove the plug from the socket, turn off the water supply and leave the door of the appliance slightly open. This will help the door seals to last longer and prevent odors from forming within the appliance.

Moving the appliance

If the appliance must be moved, try to keep it in the vertical position. If absolutely necessary, it can be positioned on its back.

Seals

One of the factors that cause odours to form in the dishwasher is food that remains trapped in the seals. Periodic cleaning with a damp sponge will prevent this from occurring.

PART 8: INSTALLATION INSTRUCTION



WARNING

Electrical Shock Hazard

Disconnect electrical power before installing dishwasher.
Failure to do so could result in death or electrical shock.

ATTENTION:

The installation of the pipes and electrical equipments should be done by professionals.

About Power Connection

WARNING

For personal safety:

- Do not use an extension cord or an adapter plug with this appliance.
- Do not, under any circumstances, cut or remove the earthing connection from the power cord.

Electrical requirements

Please look at the rating label to know the rating voltage and connect the dishwasher to the appropriate power supply. Use the required fuse 10A/13A/16A, time delay fuse or circuit breaker recommended and provide separate circuit serving only this appliance.

Electrical connection

Ensure the voltage and frequency of the power being corresponds to those on the rating plate. Only insert the plug into an electrical socket which is earthed properly. If the electrical socket to which the appliance must be connected is not appropriate for the plug, replace the socket, rather than using a adaptors or the like as they could cause overheating and burns.

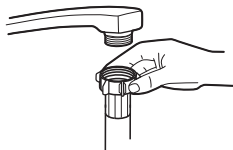
Ensure that proper earthing exists before use

Water Supply And Drain

Cold water connection

Connect the cold water supply hose to a threaded 3/4(inch) connector and make sure that it is fastened tightly in place.

If the water pipes are new or have not been used for an extended period of time, let the water run to make sure that the water is clear. This precaution is needed to avoid the risk of the water inlet to be blocked and damage the appliance.



ordinary supply hose



safety supply hose

About the safety supply hose

The safety supply hose consists of the double walls. The system guarantees its intervention by blocking the flow of water in case of the supply hose breaking and when the air space between the supply hose itself and the outer corrugated hose is full of water.

WARNING

A hose that attaches to a tap can burst if it is installed on the same water line as the dishwasher. If your sink has one, it is recommended that the hose be disconnected and the hole plugged.

How to connect the safety supply hose

1. Pull safety supply hoses out from storage compartment located at rear of dishwasher.
2. Tighten the screws of the safety supply hose to the faucet with thread 3/4inch.
3. Turn the water fully on before starting the dishwasher.

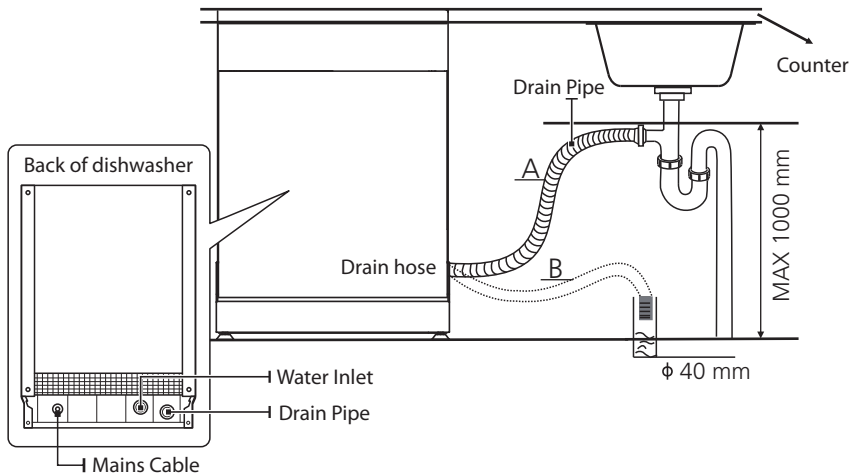
How to disconnect the safety supply hose

1. Turn off the water.
2. Unscrew the safety supply hose from the faucet.

Connection Of Drain Hoses

Insert the drain hose into a drain pipe with a minimum diameter of 4 cm, or let it run into the sink, making sure to avoid bending or crimping it. The height of drain pipe must be less than 1000 mm. The free end of the hose must not be immersed in water to avoid the back flow of it.

Please securely fix the drain hose in either position A or position B



How to drain excess water from hoses

If the connection to the drain pipe is positioned higher than 1000 mm, excess water may remain in the drain hose. It will be necessary to drain excess water from the hose into a bowl or suitable container that is held outside and lower than the sink.

Water outlet

Connect the water drain hose. The drain hose must be correctly fitted to avoid water leaks. Ensure that the water drain hose is not kinked or squashed.

Extension hose

If you need a drain hose extension, make sure to use a similar drain hose.

It must not be longer than 4 meters, otherwise the cleaning effect of the dishwasher could be reduced.

Syphon connection

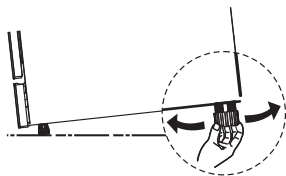
The waste connection must be at a height less than 1000 mm (maximum) from the bottom of the dishwasher.

Positioning The Appliance

Position the appliance in the desired location. The back should rest against the wall behind it, and the sides, along the adjacent cabinets or walls. The dishwasher is equipped with water supply and drain hoses that can be positioned either to the right or the left sides to facilitate proper installation.

Levelling the appliance

Once the appliance is positioned for levelling, the height of the dishwasher may be altered via adjustment of the screwing level of the feet. In any case, the appliance should not be inclined more than 2°.

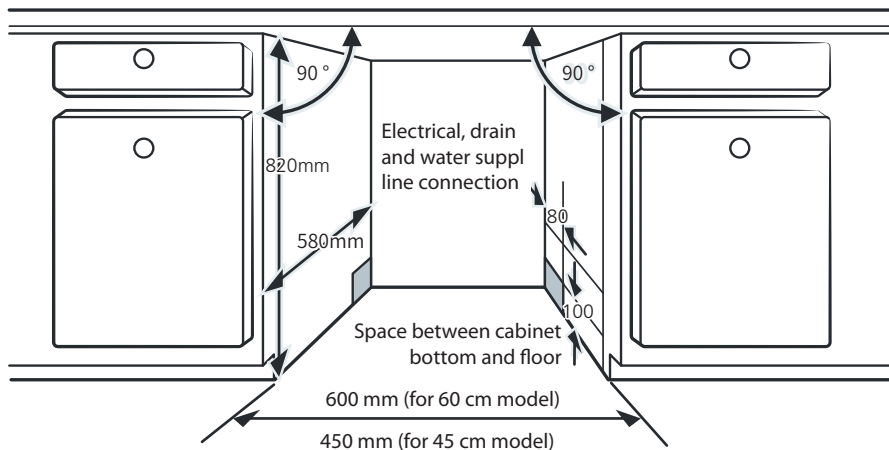


Built-In Installation (for the integrated model)

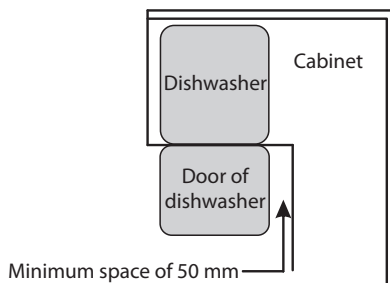
Step 1. Selecting the best location for the dishwasher

The installation position of the dishwasher should be near the existing inlet and drain hose and power socket. Illustrations of cabinet dimensions and installation position of the dishwasher.

1. Less than 5 mm between the top of dishwasher and cabinet and the outer door aligned to cabinet.



2. If dishwasher is installed at the corner of the cabinet, there should be some space when the door is opened.



NOTE:

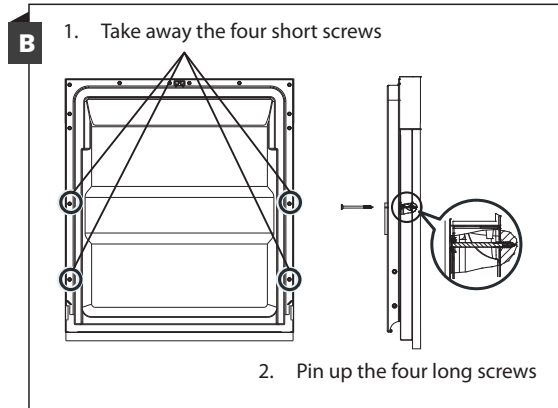
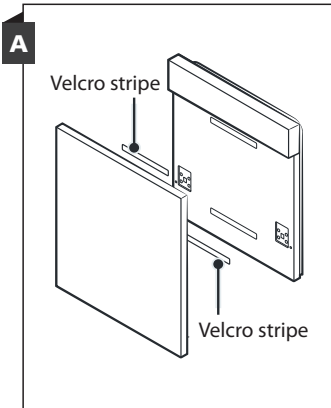
Depending on where your electrical outlet is, you may need to cut a hole in the opposite cabinet side.

Step 2. Aesthetic panel's dimensions and installation

Follow the specific installation instruction for attaching the aesthetical door panel.

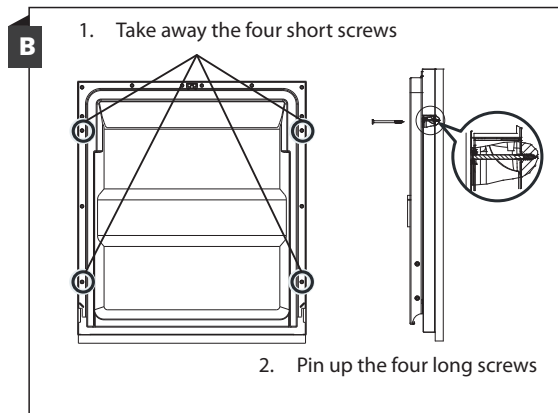
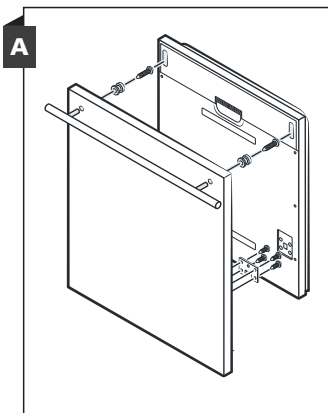
Semi-integrated model

Separate velcro stripe A and velcro stripe B and attach velcro stripe A on the inner side of the aesthetic panel. Attach the felted velcro stripe B on the outer door of dishwasher (see figure A). After positioning of the panel, fix the panel onto the outer door by screws and bolts (See figure B).



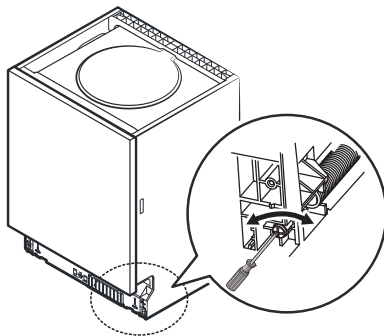
Fully-integrated model

Install the hook on the aesthetic panel and put the hook into the slot of the outer door of dishwasher (see figure A). After positioning of the panel, fix the panel onto the outer door by screws and bolts (See figure B).



Step 3. Tension adjustment of the door spring

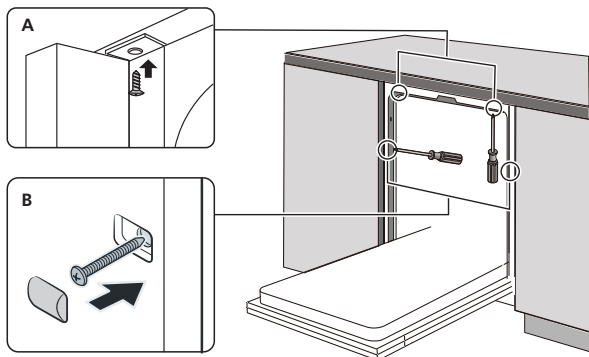
1. The door springs are set at the factory to the proper tension for the outer door. If aesthetic panel are installed, you will have to adjust the door spring tension. Rotate the adjusting screw to drive the adjustor to strain or relax the steel cable.
2. Door spring tension is correct when the door remains horizontal in the fully opened position, yet rises to a close with the slight lift of a finger.



Step 4. Dishwasher installation steps

Please refer to the specific installation steps in the installation drawings.

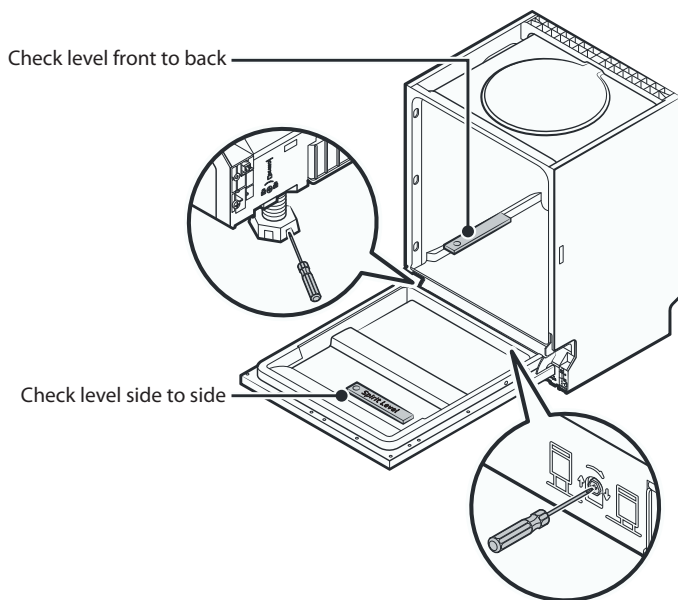
1. Affix the condensation strip under the work surface of cabinet. Please ensure the condensation strip is flush with edge of work surface. (Step 2)
2. Connect the inlet hose to the cold water supply.
3. Connect the drain hose.
4. Connect the power cord.
5. Place the dishwasher into the cabinet.
6. Level the dishwasher. The rear foot can be adjusted from the front of the dishwasher by turning the Philips screw in the middle of the base of dishwasher use Philips screw driver. To adjust the front feet, use a flat screw driver and turn the front feet until the dishwasher is level. (Step 5 to Step 6)
7. Install the furniture door to the outer door of the dishwasher. (Step 7 to Step 10)
8. Adjust the tension of the door springs by using a Philips screw driver turning in a clockwise motion to tighten the left and right door springs. Failure to do this could cause damage to your dishwasher. (Step 11)
9. The dishwasher must be secured in place. There are two ways to do this:
 - A. Normal work surface: Put the installation hook into the slot of the side plane and secure it to the work surface with the screws.
 - B. Marble or granite work top: Fix the side with screws.



Step 5. Levelling the dishwasher

Dishwasher must be level for proper dish rack operation and wash performance.

1. Place a spirit level on door and rack track inside the tub as shown to check that the dishwasher is level.
2. Level the dishwasher by adjusting the three levelling feet individually.
3. When level the dishwasher, please pay attention not to let the dishwasher tip over.



NOTE:

The maximum adjustment height of the feet is 50 mm.

PART 9: TROUBLESHOOTING TIPS

Before Calling For Service

Reviewing the charts on the following pages may save you from calling for service.

| Problem | Possible Causes | What To Do |
|-----------------------------------|--|---|
| Dishwasher doesn't start. | Fuse blown, or the circuit break tripped. | Replace fuse or reset circuit breaker. Remove any other appliances sharing the same circuit with the dishwasher. |
| | Power supply is not turned on. | Make sure the dishwasher is turned on and the door is closed securely. Make sure the power cord is properly plugged into the wall socket. |
| | Water pressure is low. | Check that the water supply is connected properly and the water is turned on. |
| | Door of dishwasher not properly closed. | Make sure to close the door properly and latch it. |
| Water not pumped form dishwasher. | Twisted or trapped drain hose. | Check the drain hose. |
| | Filter clogged. | Check the filter system. |
| | Kitchen sink clogged. | Check the kitchen sink to make sure it is draining well. If the problem is the kitchen sink that is not draining , you may need a plumber rather than a serviceman for dishwashers. |
| Foam in the tub. | Wrong detergent. | Use only the special dishwasher detergent to avoid suds. If this occurs, open the dishwasher and let suds evaporate. Add 1 liter of cold water to the bottom of the dishwasher. Close the dishwasher door, then select any cycle. Initially, the dishwasher will drain out the water. Open the door after draining stage is complete and check if the suds have disappeared. Repeat if necessary. |
| | Spilled rinse aid. | Always wipe up rinse aid spills immediately. |
| Stained tub interior. | Detergent with colourant may have been used. | Make sure that the detergent has no colourant. |

| Problem | Possible Causes | What To Do |
|---|---|---|
| White film on inside surface. | Hard water minerals. | To clean the interior, use the damp soft cloth with dishwasher detergent and wear rubber gloves. Never use any other cleaner than dishwasher detergent otherwise, it may cause foaming or suds. |
| There are rust stains on cutlery. | The affected items are not corrosion resistant. | Avoid washing items that are not corrosion resistant in the dishwasher. |
| | A program was not run after dishwasher salt was added. Traces of salt have gotten into the wash cycle. | Always run a wash program without any crockery after adding salt. Do not select the Turbo function (if present), after adding dishwasher salt. |
| | The lid of the softer is loose. | Check the softener lid is secure. |
| Knocking noise in the dishwasher. | A spray arm is knocking against an item in a basket. | Interrupt the program and rearrange the items which are obstructing the spray arm. |
| Rattling noise in the dishwasher. | Items of crockery are loose in the dishwasher. | Interrupt the program and rearrange the items of crockery. |
| Knocking noise in the water pipes. | This may be caused by on-site installation or the cross-section of the piping. | This has no influence on the dishwasher function. If in doubt, contact a qualified plumber. |
| The dishes are not clean. | The dishes were not loaded correctly. | See "Preparing And Loading Dishes". |
| | The program was not powerful enough. | Select a more intensive program. |
| The dishes are not clean. | Not enough detergent was dispensed. | Use more detergent, or change your detergent. |
| | Items are blocking the movement of the spray arms. | Rearrange the items so that the spray can rotate freely. |
| | The filter combination is not clean or is not correctly fitted in the base of wash cabinet. This may cause the spray arm jets to get blocked. | Clean and/or fit the filter correctly. Clean the spray arm jets. |
| Cloudiness on glassware. | Combination of soft water and too much detergent. | Use less detergent if you have soft water and select a shorter cycle to wash the glassware and to get them clean. |
| White spots appear on dishes and glasses. | Hard water area can cause limescale deposits. | Check water softener settings or fill status of salt container. |

| Problem | Possible Causes | What To Do |
|--------------------------------|--|--|
| Black or grey marks on dishes. | Aluminium utensils have rubbed against dishes. | Use a mild abrasive cleaner to eliminate those marks. |
| Detergent left in dispenser. | Dishes block detergent dispenser. | Re-loading the dishes properly. |
| The dishes aren't drying. | Improper loading. | Use gloves if detergent residue can be found on dishes to avoid skin irritations. |
| | Dishes are removed too soon. | Do not empty your dishwasher immediately after washing. Open the door slightly so that the steam can come out. Take out the dishes until the inside temperature is safe to touch. Unload the lower basket first to prevent the dropping water from the upper basket. |
| | Wrong program has been selected. | With a short program, the washing temperature is lower, decreasing cleaning performance. Choose a program with a long washing time. |
| | Use of cutlery with a low-quality coating. | Water drainage is more difficult with these items. Cutlery or dishes of this type are not suitable for washing in the dishwasher. |

WARNING

Self-repair or non-professional repair may cause serious risks to the safety of the user of the appliance and impact warranty.

Availability Of Spare Parts

- **Seven years after placing the last unit of the model on the market:**
Motor, circulation and drain pump, heaters and heating elements, including heat pumps (separately or bundled), piping and related equipment including all hoses, valves, filters and aqua stops, structural and interior parts related to door assemblies (separately or bundled), printed circuit boards, electronic displays, pressure switches, thermostats and sensors, software and firmware including reset software.
- **Ten years after placing the last unit of the model on the market:**
Door hinge and seals, other seals, spray arms, drain filters, interior racks and plastic peripherals such as baskets and lids.

PART 10: ERROR CODES

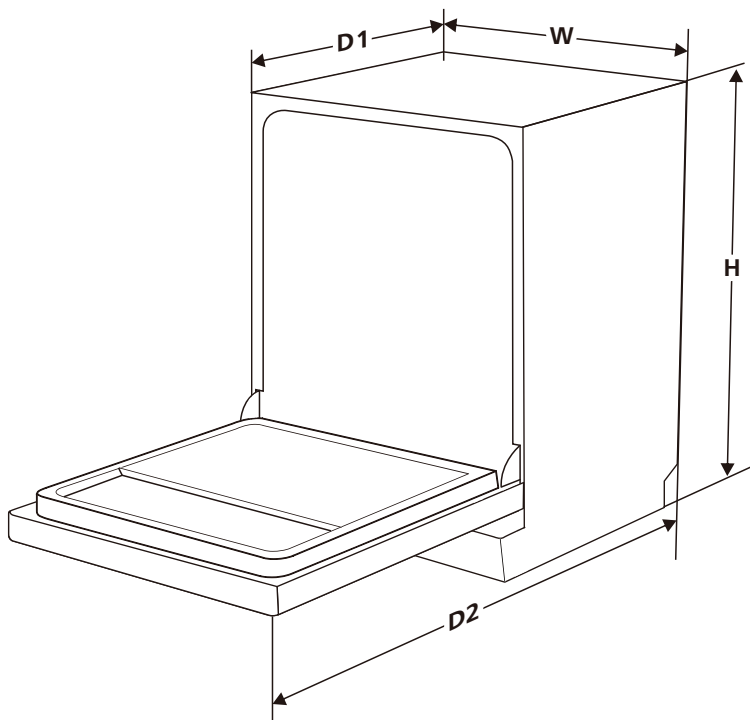
If there is a malfunction, the dishwasher will display error codes to identify these:

| Codes | Meanings | Possible Causes |
|-------|---|---|
| E1 | Longer inlet time. | Faucets is not opened, or water intake is restricted, or water pressure is too low. |
| E3 | Not reaching required temperature. | Malfunction of heating element. |
| E4 | Overflow. | Some element of dishwasher leaks. |
| E8 | Failure of orientation of distributary valve. | Open circuit or break of distributary valve. |
| EC | Washing control system fail. | PCB or motor fail. |
| Ed | Failure of communication between main circuit board with display circuit board. | Open circuit or break wiring for the communication. |

WARNING

- If overflow occurs, turn off the main water supply before calling a service.
- If there is water in the base pan because of an overfill or small leak, the water should be removed before restarting the dishwasher.
- If there is an error code that cannot be solved, please request professional assistance.

PART 11: TECHNICAL INFORMATION



| | |
|-------------------|------------------------------------|
| Height (H) | 815 mm |
| Width (W) | 598 mm |
| Depth (D1) | 550 mm (with the door closed) |
| Depth (D2) | 1150 mm (with the door opened 90°) |

PART 12: PRODUCT INFORMATION SHEET

Product Information Sheet

PHILCO 

COMMISSION DELEGATED REGULATION (EU) 2019/2017

Supplier's name or trademark: PHILCO

Supplier's address: U Sanitasu 1621 Říčany 251 01, Czech Republic

Model identifier: PDI 1468 BBIT

General product parameters: Dishwasher

| Parameter | Value | Parameter | Value | |
|--|-------|--|----------|----|
| Rated capacity (kg) | 14 | Dimensions in cm | Height | 82 |
| | | | Width | 60 |
| | | | Depth | 55 |
| EEI _w | 37,9 | Energy efficiency class * | B | |
| Cleaning performance index | 1.125 | Drying performance index | 1.065 | |
| Energy consumption in kWh [per cycle], based on the eco programme using cold water fill. Actual energy consumption will depend on how the appliance is used. | 0,645 | Water consumption in litres [per cycle], based on the eco programme. Actual water consumption will depend on how the appliance is used and on the hardness of the water. | 9.8 | |
| Programme duration (h:min) | 3:55 | Type | Built-in | |
| Airborne acoustical noise emissions (dB(A) re 1 pW) | 42 | Airborne acoustical noise emission class | B | |
| Off-mode (W) | 0.49 | Standby mode (W) | 0.00 | |
| Delay start (W) (if applicable) | 1.00 | Networked standby (W) (if applicable) | 0.00 | |

Minimum duration of the guarantee offered by the supplier: 24 months

Additional information:

Weblink to the supplier's website, where the information in point 6 of Annex II to Commission Regulation (EU) 2019/2022 is found: www.philco.cz

* A (highest efficiency) to G (lowest efficiency)

TECHNICAL INFORMATION

Technical information can be found on the type plate on the inside of the appliance and on the energy label. The QR code, on the supplied energy label, contains a link to register the appliance in the EU Eprel database. Keep the energy label, the instructions for use, together with other documents supplied with the device.

TESTING INFORMATION

The delivered device is in accordance with EcoDesign and EN 60436:2020 + A11:2020 + AC:2020-6. Air access requirements for proper operation of the device, the minimum distance from the wall and the dimensions of the device are part of this manual. If you have any further questions, please contact the manufacturer.

CUSTOMER CARE AND SERVICE

Always use original spare parts.

Model name and serial number can be found on the rating plate. Position of rating plate can be changed without notice.

The original spare parts for some specific components are available for a minimum of 7 or 10 years, based on the type of component, from the placing on the market of the last unit of the model.

When contacting our authorized service, have the model designation, serial number and defect description available.

To download documents, visit www.philco.cz.

To report a defect and obtain additional service information, visit <https://philco.cz/podpora-a-servis>.

Subject to change without notice.

INSTRUCTIONS AND INFORMATION REGARDING THE DISPOSAL OF USED PACKAGING MATERIALS

Dispose of packaging material at a public waste disposal site.

DISPOSAL OF USED ELECTRICAL AND ELECTRONIC APPLIANCES



The meaning of the symbol on the product, its accessory or packaging indicates that this product shall not be treated as household waste. Please, dispose of this product at your applicable collection point for the recycling of electrical & electronic equipment waste. Alternatively in some states of the European Union or other European states you may return your products to your local retailer when buying an equivalent new product. The correct disposal of this product will help save valuable natural resources and help in preventing the potential negative impact on the environment and human health, which could be caused as a result of improper liquidation of waste. Please ask your local authorities or the nearest waste collection centre for further details. The improper disposal of this type of waste may fall subject to national regulations for fines.

For business entities in the European Union

If you wish to dispose of an electrical or electronic device, request the necessary information from your seller or supplier.

Disposal in other countries outside the European Union

If you wish to dispose of this product, request the necessary information about the correct disposal method from local government departments or from your seller.



This product meets all the basic EU regulation requirements that relate to it.

Changes to the text, design and technical specifications may occur without prior notice and we reserve the right to make these changes.

Original of this user manual is in czech language.

Výrobce/Manufacturer:
Fast ČR, a.s.
U Sanítasu 1621
Říčany 251 01, CZECH REPUBLIC

Distributor:
FAST PLUS, a.s.
Vlčie hrdlo 324/90
821 07 Bratislava, SLOVAKIA

Distributor:
FAST POLAND Sp. z o. o.
Kwietniowa 36
05-090 Wypędy, POLAND

Distributor:
FAST HUNGARY Kft.
H-2310 Szigetszentmiklós
Kántor utca 10, HUNGARY

PHILCO® 

is a pending or registered trademark of Electrolux Home Products, Inc. and used under a license from Electrolux Home Products, Inc.