



EN ■ Air Purifier

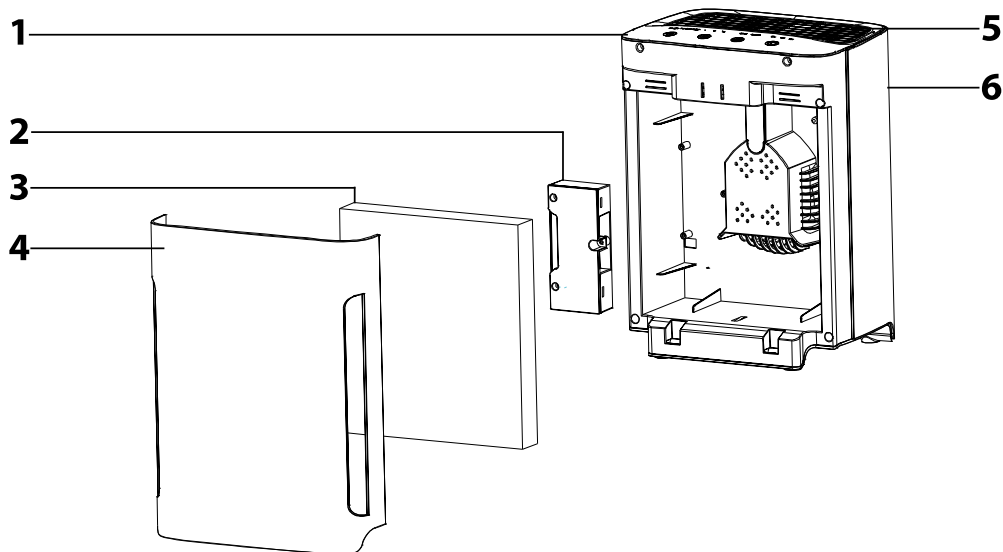
READ CAREFULLY AND STORE FOR FUTURE USE.

In order to reduce the risk of fire, risk of injury by electrical shock and injury of persons, basic safety provisions must always be observed when using electrical appliances, including the following:

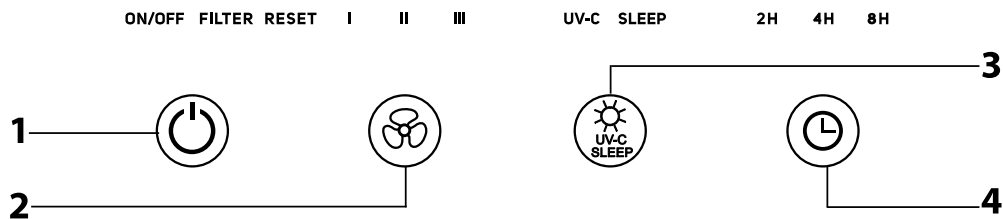
- Read all the instructions before using this appliance.
- This appliance may be used by children 8 years of age and older and by persons with physical or mental impairments or by inexperienced persons, if they are properly supervised or have been informed about how to use the product in a safe manner and understand the potential dangers. Children must not play with the appliance. Cleaning and maintenance performed by the user must not be performed by unsupervised children.
- If the power cord is damaged, it must be replaced by the manufacturer, its service technician or by a similarly qualified person, as this will prevent a dangerous situation from arising.
- This appliance is designed for household use only. Only use the appliance for the purpose for which it is intended and in the manner described in this user's manual. Any other use that is not recommended by the manufacturer may result in a fire, injury by electrical shock or injury to persons.
- Do not use this appliance outdoors.
- Only use the appliance on an even, clean, dry, rigid and stable surface.
- Do not place this appliance on a soft surface such as a bed or sofa as the appliance could be tipped over or the air inflow and outflow vents could be blocked.
- Never block the air inflow grille or the air outflow grille.
- Never throw or insert any items into the holes or vents of the appliance.
- To prevent the risk of fire or injury by electrical shock, connect this appliance directly to the correct type of alternating current (AC) power socket.
- Do not place any items on the appliance.
- Lead the power cord away from places with a lot of movement of people. Locate the power cord in places without any movement of people, where it cannot be tripped over.
- To prevent the risk of a fire, never place the power cord under carpets or in the vicinity of heating ducts, radiators, stoves or heaters.
- Do not cover the power cord with loose rugs, carpet runners or other similar accessories.
- Do not lead the power cord underneath furniture or the appliance itself.
- To prevent the risk of injury by electrical shock, do not submerge the appliance, power cord or power plug into water or another liquid. Do not use this appliance near water.
- Children are not capable of identifying risks associated with using electrical appliances. Therefore, always pay attention to children when they are in the vicinity of this appliance.
- This appliance is equipped with a fan.

- To reduce the risk of a fire or injury by electrical shock, do not use this fan with any speed regulator device.
- Always disconnect the appliance from the power socket when using it and before moving it, opening the grille, before replacing the filters, before cleaning it or other maintenance.
- Follow the instructions for cleaning and other maintenance performed by the user, which are included in this user's manual.
- Never look directly into a turned on UV-C lamp.
- Disconnect the appliance from the power socket by pulling the power plug out of the power socket. Do not disconnect the appliance from the power socket by pulling on the power cord.
- Do not use the appliance if the power cord or plug are damaged, if the fan motor is not rotating, when it is not working properly, if it has fallen on the floor or was damaged in any way. Send it to an authorised service centre for inspection or repair.
- Do not attempt to repair or adjust any electrical or mechanical functions of this appliance. This appliance does not contain any parts repairable by the user.
- In order to prevent a hazardous situation arising, do not repair the appliance yourself or modify it in any way. For all repairs, contact an authorised service centre. By tampering with the appliance, you risk voiding your legal rights arising from unsatisfactory performance or quality warranty.

A



B



- Prior to using this appliance, please read the user's manual thoroughly, even in cases, when one has already familiarised themselves with previous use of similar types of appliances. Only use the appliance in the manner described in this user's manual. Keep this user's manual in a safe place where it can be easily retrieved for future reference. In the event that you hand this appliance over to somebody else, make sure to also include this user's manual.
- We recommend saving the original cardboard box, packaging material, purchase receipt and responsibility statement of the vendor or warranty card for at least the duration of the legal liability for unsatisfactory performance or quality. In the event of transportation, we recommend that you pack the appliance in the original box from the manufacturer.

DESCRIPTION OF THE AIR PURIFIER

A1 Touch control panel	A5 Air outlet
A2 UV-C lamp	A6 Carry handle (not shown) is located at the rear of the appliance.
A3 Combination filter (3-in-1: inflow filter, carbon filter and HEPA filter)	
A4 Front cover	

DESCRIPTION OF THE CONTROL PANEL

B1 On/Off button	B3 UV-C / sleep mode button
B2 Fan speed setting button	B4 Automatic shut-off button

AIR PURIFICATION SYSTEM

Inflow filter: Captures dust particles and allergens

Carbon filter: Absorbs formaldehyde, benzene and other harmful gases.

HEPA filter: Captures dust, smoke, pollen and other allergens.

UV-C lamp: Destroys microorganism such as microbes, viruses, bacteria and moulds (such as mould toxins).



Note:

Titanium dioxide is sprayed on to the cover of the UV-C lamp using a special method.

BEFORE FIRST USE

- Before first use, carefully take the air purifier out of the transport box and plastic bag. Before storing or disposing of the packaging materials, check that you have taken out all the accessories and parts of the air purifier.

USING THE AIR PURIFIER

- Place the purifier on a stable, even, dry and firm surface within reach of a power socket. To ensure correct air circulation, the appliance should be at least 30 cm away from walls and furniture.
- Check that no grille is blocked and that the air purifier is properly assembled with the filters correctly installed.
- Connect the power cord to a power socket.



Note:

For carrying the air purifier, only use the carry handle located at the rear.

1. Turning the air purifier on/off.

- To turn the air purifier on and off, use the on/off button **B1**.

2. Setting fan speed

- When the air purifier is running, use button **B2** to set the fan speed. Press button **B2** again to change the fan speed in the the following order: I (low) – II (medium) – III (high).

3. Turning the UV-C lamp and sleep mode on/off.

- Press button **B3** once to turn on the UV-C lamp. Press the button again to turn on the UV-C lamp and activate the sleep mode. Press the button for a third time to turn off the UV-C lamp. Press the button for a fourth time to turn off the UV-C lamp and deactivate the sleep mode.



Note:

When sleep mode is activated, only the control panel will be turned off. The appliance itself will remain turned on.

4. Automatic shut-off function

- Button **B4** serves to set the time interval of 2, 4 or 8 hours, after which the air purifier will automatically turn itself off. Select the time interval by repeatedly pressing button **B4**. The indicator light indicates the remaining operating time.
- When you need to set non-stop operation, repeatedly press button **B4** until no indicator light is lit.



Note:

When not using the air purifier for an extended period of time, disconnect the power cord from the power socket, clean the air purifier according to the instructions in part "Cleaning and maintenance" and store it in a dry and well ventilated place.

CLEANING AND MAINTENANCE

Cleaning the outer surface

- Before cleaning the purifier, turn it off and disconnect it from the power socket. Wipe the outer surface using a cloth lightly dampened in lukewarm water. Then wipe everything so that it is thoroughly dry. For cleaning, do not use abrasive cleaning products and solvents as this could damage the surface of the appliance.



Warning:

To prevent the risk of injury by electrical shock, do not submerge the appliance, power cord or power plug into water or another liquid.

Replacing the combination filter

- Adhere to the following instructions relating to the cleaning and replacement of filters. Otherwise the efficiency of the purifier may be negatively affected.
- When the indicator light FILTER RESET starts flashing, it is necessary to replace the combination filter. Check that the air purifier is turned off and disconnected from the power socket. And proceed as follows (see also picture documentation C in the previous part of the user's manual):
 1. Open the front cover **A4** from the top side.
 2. Take out the combination filter **A3** by pulling on the two straps.
 3. Insert a new combination filter. Make sure that the straps on the filter point in the same direction as on the previous filter.
 4. Put on the front cover. Check that it is properly secured in place.
 5. Insert the power plug into a power socket.
 6. Press and hold down button **B1** for a period of 5 seconds to restart the filter replacement control system.



Note:

The lifetime of the combination filter is approximately 6 months. Depending on the use of the air purifier, the lifetime may be shortened.

Cleaning and maintenance of the combination filter

- To ensure the correct operation and effectiveness of the air purifier, it is important to regularly clean the combination filter. Clean the combination filter **A3** at least once per month, however, the inflow filter must be cleaned every month. Depending on the operating conditions, it will be necessary to clean the filter more often.
- Before cleaning the combination filter, make sure that the air purifier is turned off and disconnected from the power socket. Open the top cover **A4** from the top side and take out the combination filter by pulling on the straps. To clean the combination filter **A3**, use a vacuum cleaner with an attached brush nozzle, which will enable dust and dirt to be removed quickly and easily.
- If necessary, the inflow filter may be washed in clean lukewarm water. Then, allow it to dry naturally. Before reinserting it, check that the inflow filter is completely dry.



Attention:

The carbon filter and HEPA filter are not washable!

- After cleaning the combination filter, insert it back into the air purifier, attach the front cover **A4** and insert the power plug into a power socket.

Replacing the UV-C lamp

- Before replacing the UV-C lamp **A2**, make sure that the air purifier is turned off and disconnected from the power socket. In order to replace the UV-C lamp **A2**, it is necessary to first open the front cover **A4** and to remove the combination filter **A3**. Using a screwdriver, open the cover of the UV-C lamp. Carefully take the lamp out of the holder and disconnect the connector. Attach a new UV-C lamp to the connector and carefully insert it into the holder. Close the cover and secure it using a screwdriver. Install the combination filter **A3** and the front cover **A4**.



Attention:

Under no circumstances should you ever look directly into a turned on UV-C lamp. Risk of eye damage.

TROUBLESHOOTING



Attention:

Before performing any of the following checks, make sure that the air purifier is turned off and disconnected from the power socket.

Problem	Solution
Insufficient air flow	Check that the filters are clean. Check that the inflow and outflow air vents are not blocked.
The air purifier cannot be turned on.	Check that the power cord of the air purifier is inserted in a working power socket; check the fuses if necessary. Check that the front cover A4 has been properly attached. Check that the combination filter A3 is properly secured in place.
A excessively loud noise is made during operation.	Check that there are no foreign items in the area where the fan is located. The combination filter may be clogged and its replacement may be necessary. The foam plastic gasket was incorrectly installed. The purifier is not located on an even and stable surface.

TECHNICAL SPECIFICATIONS

Rated voltage	220–240 V ~
Rated frequency	50/60 Hz
Rated power input	60 W
Noise level.....	32/45/55 dB(A)
Air flow rate	95 m ³ /h
UV-C lamp wave length	254 nm
Lifetime of UV-C lamp.....	approximately 20,000 hours
Recommended room area	approx. 20 m ²
Weight	3.27 kg
Dimensions (L × W × H).....	242 × 181 × 324 mm

The declared noise emission level of the appliance is 32/45/55 dB(A), which represents a level A of acoustic power with respect to a reference acoustic power of 1 pW.



Safety class for electrical shock protection:

Class II – Electrical shock protection is provided by double or heavy-duty insulation.

We reserve the right to change text and technical specifications.

INSTRUCTIONS AND INFORMATION REGARDING THE DISPOSAL OF USED PACKAGING MATERIALS

Dispose of used packaging material at a site designated for waste in your municipality.

DISPOSAL OF USED ELECTRICAL AND ELECTRONIC EQUIPMENT



This symbol on products or original documents means that used electric or electronic products must not be added to ordinary municipal waste. For proper disposal, renewal and recycling hand over these appliances to determined collection points. Alternatively, in some European Union states or other European countries you may return your appliances to the local retailer when buying an equivalent

new appliance.

Correct disposal of this product helps save valuable natural resources and prevents potential negative effects on the environment and human health, which could result from improper waste disposal. Ask your local authorities or collection facility for more details.

In accordance with national regulations penalties may be imposed for the incorrect disposal of this type of waste.

For business entities in European Union states

If you want to dispose of electric or electronic appliances, ask your retailer or supplier for the necessary information.

Disposal in other countries outside the European Union

This symbol is valid in the European Union. If you wish to dispose of this product, request the necessary information about the correct disposal method from the local council or from your retailer.



This product meets all the basic requirements of EU directives related to it.