

# SENCOR®

SRM 3151BK



## FULLY AUTOMATIC RICE COOKER

Translation of the original manual



# SENCOR®

SRM 3151BK

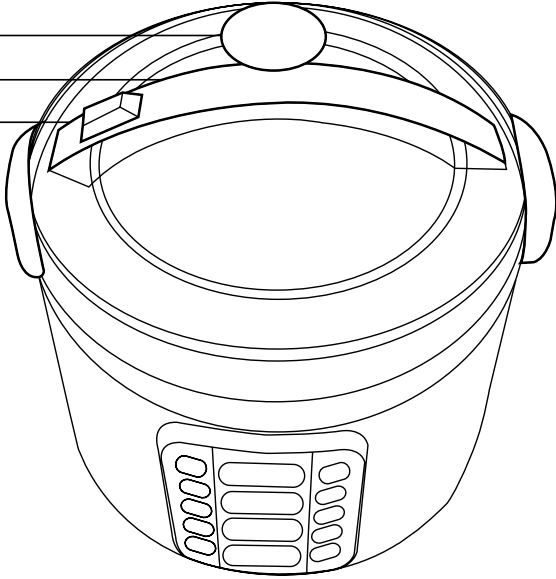


**A**

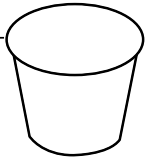
1

2

3



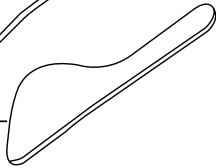
7



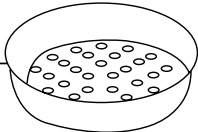
8



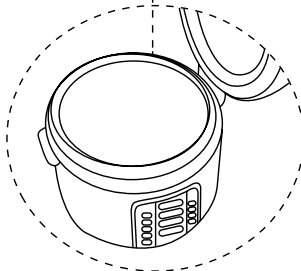
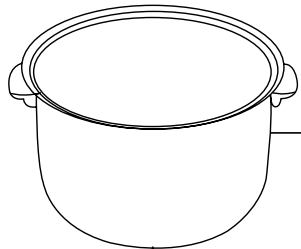
9



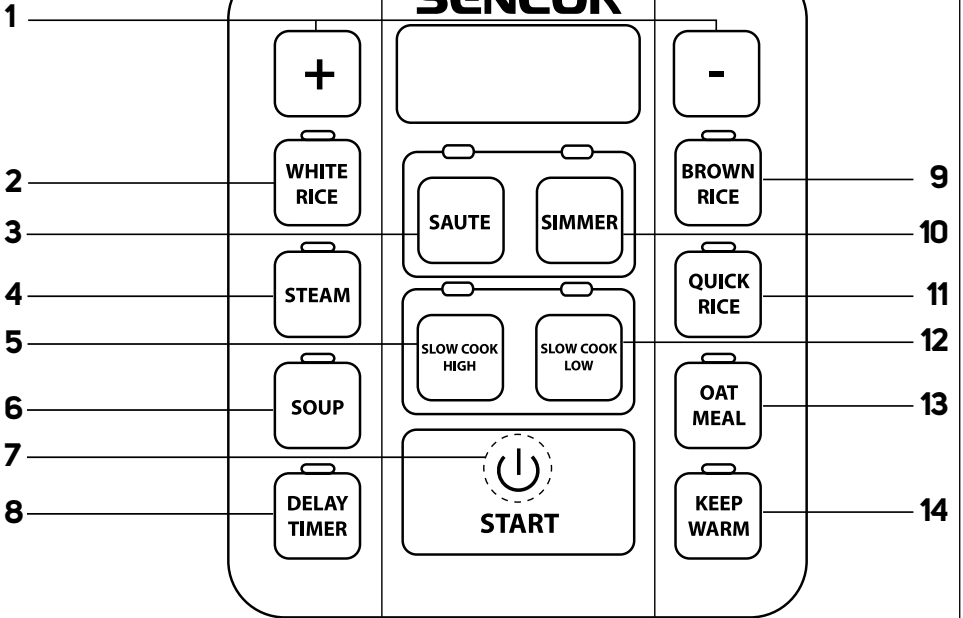
10



11



**B**



# EN Fully Automatic Rice Cooker

## Important safety instructions

### **READ CAREFULLY AND STORE FOR FUTURE USE.**

- This appliance may be used by children 8 years of age and older and by persons with physical or mental impairments or by inexperienced persons, if they are properly supervised or have been informed about how to use the product in a safe manner and understand the potential dangers.
- Children must not play with the appliance.
- Cleaning and maintenance performed by the user must not be performed by children unless they are older than 8 years of age and under supervision.
- In the event that the power cord is damaged, have it repaired at a professional service centre to prevent causing a dangerous situation. It is forbidden to use the appliance if it has a damaged power cord.
- Keep the appliance and its power cord out of the reach of children younger than 8 years.
- This rice cooker is designed for domestic use and similar locations such as:
  - kitchens in stores; offices and other workplaces;
  - in agriculture;
  - for guests of hotels, motels and other similar locations;
  - in bed and breakfast establishments.

- The surface of the heating element retains residual heat after use.
- The surfaces of the appliance that come into contact with food must always be cleaned according to the instructions in this user's manual.
- Make sure that no water or any other liquid splashes on the power plug or the power socket, and that the hot steam emitted from the appliance is also kept away. If this, nevertheless, occurs, disengage the circuit breaker of the power socket and then carefully dry the power socket and the power plug before further use.



**Warning:**

Incorrect use may lead to injuries.



**Warning:**

Using non-original accessories may result in a dangerous situation arising.

- This appliance is designed for use in indoor areas only. Never use it in an outdoor or industrial environment.
- This appliance is designed for cooking rice and steam cooking food. Do not use it for purposes other than those for which it was designed.
- This appliance must be used only in accordance with the instructions contained in this user's manual.
- Before connecting the appliance to a power socket, check that the nominal voltage on its rating label matches the voltage in the power socket to which you wish to connect it. Connect the power plug only to a properly grounded power socket. Do not use an extension cord.
- Fully unwind the power cord before using it.
- Only use the appliance with the original accessories that came with it.
- Only use the appliance on an even, dry, clean, stable surface and heat resistant surface.
- Do not use the appliance on the drip area of the kitchen sink.
- Do not place the appliance on the edge of a table, on unstable, inclining or uneven surfaces, on an electric or gas stove and other sources of heat, or in their vicinity.
- Do not use the appliance on heat sensitive surfaces as such surfaces could be damaged.
- Only use the removable inner bowl supplied with this appliance. Never use a different bowl.
- Do not use a cracked, dented or otherwise damaged inner bowl. A damaged removable inner bowl must be replaced with a new bowl of the original type.
- Before inserting the removable inner bowl into the rice cooker unit, check that the outer surface of the removable bowl and the inner area of the rice cooker are completely clean and dry. To prevent damaging the appliance, there must be no dried on food remains, etc. on the outer surface of the inner bowl and the surface of the heating element.
- Before connecting the appliance to a power socket, make sure that the removable inner bowl is properly seated in the rice cooker unit, that the removable inner bowl is filled with water and foodstuffs and that the lid is correctly positioned on the removable inner bowl. Do not overfill the removable inner bowl.
- Do not connect the appliance to a power socket or turn it on without the removable inner bowl being located in the rice cooker unit.
- Do not use the appliance with an empty removable inner bowl.



**Warning:**

Do not pour water into the rice cooker unit, do not pour rice into it or place any other foodstuffs into it. Foodstuffs and water are put only into the removable inner bowl.

- While operating the appliance, the lid must be tilted down and secured in place.
- Do not place any items on to the lid.
- During operation there needs to be sufficient area for air circulation above the appliance and around it.
- Do not use the appliance in the vicinity of heat sensitive materials. Do not cover the appliance or block its vents.
- Make sure that the steam exhaust valve does not point towards heat sensitive materials or you or other people. Hot steam may cause serious scalding.
- Do not leave the rice stirring and serving spoon or any other kitchen utensils inside the removable inner bowl when using the "KEEP WARM" function.
- The temperature of accessible surfaces on the appliance is high when the appliance is in operation and for a certain time afterwards.
- When handling the appliance after finishing cooking, it is necessary to be very careful not to touch the rice cooker unit or any other parts of the appliance because they may still be hot as a result of residual heat.
- Do not touch the hot surface. After turning off and disconnecting the appliance from the power socket, use the carry handle to lift and carry the appliance. For reasons of increased safety, we recommend using kitchen gloves.
- Use the handle for lifting and carrying the lid. When tilting open the lid, to prevent scalding, it is necessary to take care that the steam escaping from the inner bowl is not directed at you. For reasons of increased safety, we recommend using kitchen gloves.
- The water from the lid may only drip into the removable inner bowl; it must not drip into the rice cooker unit.
- When the lid is hot, do not place it on heat sensitive surfaces.
- The appliance must not be left without supervision when it is in operation.
- Always turn off and disconnect the appliance from the mains power socket when not using it, when leaving it without supervision, before removing the inner bowl or steamer insert, before cleaning, maintenance or moving it. Never move the appliance during operation.
- It is necessary to pay exceptional care when moving the appliance when it is filled with hot food or liquids.
- Always allow the appliance to fully cool down before removing the inner bowl or the steamer insert and before cleaning.
- Regularly clean the appliance after each use according to the instructions in chapter Cleaning and maintenance.
- Do not perform any maintenance on the appliance apart from the cleaning procedure described in chapter Cleaning and maintenance.
- No part of this appliance is intended for washing in a dishwasher.
- To prevent the risk of injury by electrical shock, never submerge the rice cooker, the power cord or the power plug into water or any other liquid.
- Do not place any items on the power cord. Make sure the power cord does not hang over the edge of a table, that it is not touching a hot surface or sharp objects.
- Disconnect the appliance from the power socket by pulling the power plug out of the power socket. Do not disconnect the appliance from the power socket by pulling on the power cord. Otherwise, this could damage the power cord or the power socket.
- Do not use the appliance when it is not functioning correctly or after it has fallen on the floor, been submerged in water or is damaged in any other way. Hand it over to an authorised service centre for inspection or repair.
- In order to prevent a hazardous situation arising, do not repair the appliance yourself or modify it in any way. For all repairs, contact an authorised service centre. By tampering with the appliance, you risk voiding your legal rights arising from unsatisfactory performance or quality warranty.

- Prior to using this appliance, please read the user's manual thoroughly, even in cases, when one has already familiarised themselves with previous use of similar types of appliances. Only use the appliance in the manner described in this user's manual. Keep this user's manual in a safe place where it can be easily retrieved for future use.
- We recommend saving the original cardboard box, packaging material, purchase receipt and responsibility statement of the vendor or warranty card for at least the duration of the legal liability for unsatisfactory performance or quality. In the event of transportation, we recommend that you pack the appliance in the original box from the manufacturer.

### DESCRIPTION OF THE APPLIANCE

<b>A1</b> Steam exhaust valve	<b>A8</b> Ladle
<b>A2</b> Carry handle	<b>A9</b> Stirring spoon
<b>A3</b> Unlock lid button	<b>A10</b> Steamer insert
<b>A4</b> Tilt-open lid	<b>A11</b> Removable inner bowl with a non-stick surface
<b>A5</b> Rice cooker unit	<b>A12</b> Power cord (not shown)
<b>A6</b> Control panel	
<b>A7</b> Rice and water measuring cup	

### DESCRIPTION OF THE CONTROL PANEL

<b>B1</b> <b>Buttons (+/-)</b> Serve to set the cooking time and delayed start time (DELAY TIMER).	<b>B8</b> <b>DELAY TIMER</b> button (delayed start timer)
<b>B7</b> <b>START</b> button Serves to start the preset cooking process or to stop it prematurely.	<b>B14</b> <b>KEEP WARM</b> button (maintain temperature)

### Cooking function buttons:

<b>B2</b> <b>WHITE RICE</b>	<b>B9</b> <b>BROWN RICE</b>
<b>B3</b> <b>SAUTÉ</b>	<b>B10</b> <b>SIMMER</b>
<b>B4</b> <b>STEAM</b>	<b>B11</b> <b>QUICK RICE</b>
<b>B5</b> <b>SLOW COOK HIGH</b>	<b>B12</b> <b>SLOW COOK LOW</b>
<b>B6</b> <b>SOUP</b>	<b>B13</b> <b>OAT MEAL</b>

### OPERATING INSTRUCTIONS

#### Before first use of the rice cooker

- First wash all the parts that come into contact with food (removable inner bowl **A11**, measuring cup **A7**, ladle **A8**, stirring spoon **A9** and steamer insert **A10**) in warm water with an addition of kitchen detergent, then rinse them under running water and dry thoroughly.
- Before using the rice cooker, always check that nothing has adhered to the heating element or on the underside of the inner bowl. If you find any material on the contact surfaces, it is necessary to remove it. After inserting the inner bowl into the rice cooker unit, turn the inner bowl to check that it is tightly seated on the heating element.

#### Standard use of the rice cooker

1. Place the removable bowl **A11** on the kitchen countertop or another even, stable surface. With the supplied measuring cup **A7** measure out the required amount of rice. The measuring cup holds approximately 150 g of uncooked rice. Rice must not be rinsed directly inside the inner bowl, so pour it into a strainer and rinse it out with clean running water. Transfer the rinsed rice into the removable bowl **A11** and evenly spread it out from the centre towards the sides of the bowl. Add the appropriate amount of cold water. The maximum number of measuring cups per batch is 10. Based on the amount of rice that needs to be cooked, the recommended

rice to water ratio is 1 : 1.2. Water may be added to rice according to the marks on the inner wall of the bowl. For example, when two measuring cups of rice are rinsed and transferred into the inner bowl, pour in water up to the "2" mark. The rice to water ratio may be adjusted based on the personal preferences of the customer. Do not exceed the highest water level mark inside the inner bowl.

2. Place the bowl **A11** into the rice cooker unit **A5** and tilt down the lid **A4**. Make sure that the bowl is properly seated, that the lid is fully closed and locked in position (button **A3** is used to release it). Also check that the steam exhaust valve **A2** is properly seated in the lid **A4**. If you start cooking without it, the cooked food may boil over.
3. Connect the power cord to the rear of the appliance and insert its plug into a power socket.
4. Select the desired cooking function by pressing the appropriate cooking function button, the indicator light above the button will be lit. When not using the delayed start function (see below), then after pressing button **B7 – START**, the cooking process will start.
5. When the cooking process is complete, the user is informed of this by five beeps and the rice cooker automatically switches to the "Keep Warm" mode (maintains temperature for up to 6 hours), the indicator light is lit above the **B14 – KEEP WARM** button and the display counts up the duration of this mode.
  - If you press the **B7 – START** button during the cooking process, the selected cooking function will be cancelled and the rice cooker will switch to stand-by mode.
6. When you wish to serve the rice, unlock the lid by pressing button **A3** and carefully tilt open the lid. Gently stir the rice using the spoon **A9** and serve.



#### Attention:

To avoid damaging the non-stick surface of the removable bowl **A11**, do not use metal kitchen utensils to stir the rice.

### Other cooking options

**Buttons B1 (+/-):** Serve to set the cooking time and delayed start time. Cooking time can be set in 5-minute intervals and the delayed start in 10-minute intervals.



#### Note:

It is not possible to set an unreal cooking time.

**Button B8 – DELAY TIMER:** Select the desired function from the following cooking functions: **B2 – WHITE RICE, B4 – STEAM, B6 – SOUP, B9 – BROWN RICE, B13 – OAT MEAL, B10 – SIMMER, B5 – SLOW COOK HIGH / B12 – SLOW COOK LOW**, press button **B8 – DELAY TIMER**, set the desired delayed start time, and then press the **B7 – START** button. The rice cooker will start counting down the delayed start time.



#### Notes:

- Certain cooking functions (**B3 – SAUTÉ** a **B11 – QUICK RICE**) do not enable the delayed start function.
- The longest possible delayed start time is 24 hours.
- To prevent problems with soaking food in water, which may result in unpleasant odours, do not set the delayed start time to periods lasting longer than 12 hours.
- If the delayed start time is shorter than the cooking time, the rice cooker will disregard it and will immediately start the cooking function as if the delayed start function was not set.
- After setting the delayed start function, activate it by pressing the **B7 – START** button.



## Overview of cooking functions and recommended cooking times

Cooking function	Adjustable time range	Note
<b>WHITE RICE – B2</b>	--	The maximum cooking time is 55 minutes.
<b>STEAM – B4</b>	00:05-1:30	--
<b>SOUP – B6</b>	1:00-4:00	--
<b>BROWN RICE – B9</b>	--	The maximum cooking time is 65 minutes.
<b>QUICK RICE – B11</b>	--	The maximum cooking time is 50 minutes.
<b>OAT MEAL – B13</b>	1:00-3:00	--
<b>SAUTÉ – B3</b>	1:00-2:00	--
<b>SIMMER – B10</b>	02:00-6:00	--
<b>SLOW COOK HIGH/LOW – B5/B12</b>	02:00-6:00	<b>SLOW COOK LOW</b> (slow cooking at a low temperature) gently heats food for an extended time without overcooking or baking it on, unlike <b>SLOW COOK HIGH</b> (slow cooking at a higher temperature).

### Steam cooking

- The rice cooker also has a steam cooking function. Pour a sufficient amount of water (0.5 l or more) into the bowl **A11**. Place vegetables or other foods into the steamer insert **A10**. Use the **B4 – STEAM** button to select the steam cooking function and press the **B7 – START** button to start the cooking process.
- After evaporating all the water, the rice cooker will switch to the "Keep Warm" mode. Therefore, it is necessary to monitor the status of the food and water.

### Cooking function tips

- The cooking times shown in the above table may differ slightly depending on the supply voltage, type and quality of rice and the water temperature. To prevent rice from sticking together, stir the rice within 30 minutes of the start of the "Keep Warm" function.
- The rice will taste better when you allow it to finish cooking in the Keep Warm mode for approximately 15 minutes.
- The maximum level of soup or stewed meals should not go over 70% of the capacity of the inner bowl.

### "Keep Warm" function

When the cooking process is complete, the rice cooker will automatically switch to the "Keep Warm" mode and the indicator light above the <b>B14 – KEEP WARM</b> button will be lit. The maximum "Keep Warm" time is 24 hours.
When the rice cooker is in stand-by mode, switch it to "Keep Warm" mode by pressing the <b>B14 – KEEP WARM</b> button.

## CLEANING AND MAINTENANCE

- To clean the inner bowl and lid with steam exhaust valve, use hot water, detergent and a sponge. Do not use abrasive cleaning products or steel wool.
- In the event that food sticks to the inner bowl, then the bowl can be soaked for a while before cleaning.
- Do not rinse rice directly in the inner bowl before cooking it, use different cookware for this purpose in order not to scratch the inner bowl.
- For cleaning and drying the outer surface, the inner side of the lid and the control panel, use a damp cloth, do not use abrasive cleaning products.
- When water appears on the surface of the heating element, wipe it off using a dry cloth. To remove any rice remains, use steel wool.

- Clean the lid gasket and steam exhaust valve regularly to prevent dirty materials causing unpleasant rice odour.
- When not using the rice cooker for an extended period of time, disconnect the power cord from the power socket and store the appliance in a dry well-ventilated place.
- You may clean the rice cooker only after disconnecting the power cord and only after the rice cooker cools down completely.

## FAULTS AND TROUBLESHOOTING

- Before sending the appliance to an authorised service centre, first check the following points in the table.
- Disassembly and repair of the appliance by the user is strictly forbidden.

Problem	Cause	Solution
<b>Indicator light is not lit</b>	Power supply missing	Check whether the rice cooker is disconnected
	Faulty control panel	Send it to an authorised service centre
<b>Heating element is not heating</b>	Faulty control panel	Send it to an authorised service centre
	Faulty heating element	
<b>Indicator light is lit, the heating element is not heating</b>	Broken fuse	Send it to an authorised service centre
	Faulty heating element	
<b>Rice is undercooked</b>	Faulty control panel	Adjust the rice to water ratio, adhere to the range between the maximum and minimum marks.
	Not enough or too much rice	
<b>Rice is overcooked</b>	The rice to water ratio is incorrect	Adjust the rice to water ratio
	Inner container is inclined	The contents of the inner bowl is in order, gently push the bowl downwards and level it
	There is a foreign object between the inner bowl and the heating element	Remove the foreign object
	Inner container is damaged	Contact an authorised service centre and buy a new inner bowl
<b>Rice is overcooked</b>	Faulty control panel	Send it to an authorised service centre
	Faulty sensor	Send it to an authorised service centre
	Inner container is damaged	Contact an authorised service centre and buy a new inner bowl
<b>Rice is overcooked</b>	Inner container is inclined	The contents of the inner bowl is in order, gently push the bowl downwards and level it
	Faulty control panel	Send it to an authorised service centre
	Faulty sensor	Send it to an authorised service centre
<b>Overflowing</b>	Too much rice	Adjust the rice to water ratio
	The rice to water ratio is incorrect	Reduce the amount of water
	An inappropriate cooking function is selected	Select an inappropriate cooking function
<b>Plastic odour</b>	Normal conditions	The odour will disappear after several uses of the rice cooker

<b>Shown on the display</b> <b>E1, E2, E3, E4</b>	Faulty control panel or sensor	Disconnect the power cord, if even after cooling down the fault persists, please contact an authorised service centre
--	--------------------------------	---

.....

## TECHNICAL SPECIFICATIONS

Model .....SRM 3151BK  
Voltage..... 230 V, 50/60 Hz  
Power input.....700 W  
Volume .....1.8 l  
Amount of rice.....2–10 measuring cups  
Number of portions.....2–10 people

We reserve the right to change text and technical specifications.

.....

## INSTRUCTIONS AND INFORMATION REGARDING THE DISPOSAL OF USED PACKAGING MATERIALS

Dispose of used packaging material at a site designated for waste in your municipality.

## DISPOSAL OF USED ELECTRICAL AND ELECTRONIC EQUIPMENT



This symbol on products or original documents means that used electric or electronic products must not be added to ordinary municipal waste. For proper disposal, renewal and recycling hand over these appliances to determined collection points. Alternatively, in some European Union states or other European countries you may return your appliances to the local retailer when buying an equivalent new appliance.

Correct disposal of this product helps save valuable natural resources and prevents potential negative effects on the environment and human health, which could result from improper waste disposal. Ask your local authorities or collection facility for more details. In accordance with national regulations penalties may be imposed for the incorrect disposal of this type of waste.

### For business entities in European Union states

If you want to dispose of electric or electronic appliances, ask your retailer or supplier for the necessary information.

### Disposal in other countries outside the European Union.

This symbol is valid in the European Union. If you wish to dispose of this product, request the necessary information about the correct disposal method from the local council or from your retailer.



This product meets all the basic requirements of EU directives related to it.

