



EN

ELECTRIC CONVECTOR HEATER

DAKOTA



This product is only suitable for well insulated spaces or occasional use.

OPERATING INSTRUCTIONS

Read the instructions carefully before installing and operating the appliance or performing maintenance operations. Observe all the safety instructions; failure to observe the instructions may cause accidents and/or damages. Store these instructions for future reference.

GENERAL SAFETY INFORMATION

- Use this convector only as outlined in this manual. Any other use not recommended by the manufacturer may cause fire, electric shock or injury to persons.
- This convector is designed for domestic use. It must not be used for commercial or industrial purposes.
- Ensure that the mains voltage complies with that indicated on the convector data plate (220-240V~ 50-60Hz).
- This appliance can be used by children aged from 8 years and above and people with reduced physical, sensory or mental capabilities or lack of experience and knowledge if they have been given supervision or instruction concerning use of the appliance in a safe way and understand the hazards involved.
- Children shall not play with the appliance.
- Cleaning and user maintenance shall not be made by children without supervision.
- Remove the convector from its packaging and check that it is in good condition before use. Keep any plastic bags away from children.
- Check the cord and plug before using the convector to ensure that they have not been damaged during transport.
- This product is not a toy.
- Children under the age of 3 must be kept away if not continuously supervised.
- Children aged between 3 and 8 must only turn the appliance on / off as long as it has been placed or installed in its normal operating position and that they receive surveillance or instructions regarding the safe use of the appliance and understand the dangers.
- Children between 3 and 8 years of age must not insert the plug, adjust or clean the appliance or carry out maintenance by the user.

CAUTION - Some parts of this product can become very hot and cause burns. Particular attention has to be given where children and vulnerable people are present.

WARNING: In order to avoid hazard due to inadvertent resetting of the thermal cut-out, this appliance must not be supplied through and external switching device, such as a timer, or connected to a circuit that is regularly switched on and off by the utility.

WARNING: do not use the convector with a controller or any other external device that activates the appliance automatically,

as there may be a risk of fire if the fan heater is covered or incorrectly positioned.

- Disconnect the mains power when the appliance is not used or for cleaning operations.
- To disconnect the convector, turn off the appliance with the ON/OFF switch on the side and remove the plug from the socket. Pull on the plug only. Do not pull the cord.
- Avoid placing fingers or foreign objects in the air inlet/outlet grilles, as this may lead to electric shock or fire and may damage the convector. To avoid the risk of fire, do not block the grilles or tamper with them in any way while the convector operates.
- Do not use the convector if the cord or plug is damaged. If the power cable is damaged, it must be replaced by the manufacturer or its technical assistance service or in any case by a person with a similar qualification, in order to prevent any risk.
- Do not place any objects on the cord and do not bend it. During operation, the cord must be entirely unwound.
- It is not advisable to use extension cords, as these may overheat and cause the risk of fire. Do not use a single extension cord to operate more than one convector.
- The convector heats up significantly during operation. Risk of burn. To avoid injury, do not allow skin to come into contact with a hot surface. Use the handle to move the convector. Keep flammable materials, such as furniture, cushions, blankets, paper, cloths, curtains and suchlike at least 1 m from the front and back
- Do not immerse the cord, plug or any other element of the panel in water or other liquids.
- Do not touch the plug or convector with wet hands.
- Avoid using the convector in dusty environments or in the presence of flammable vapors (e.g. in workshops or garages).
- Do not place the convector above or near another heat source.

WARNING: AVOID COVERING THE CONVECTOR TO PREVENT IT FROM OVERHEATING.

The symbol below signals the above warning:



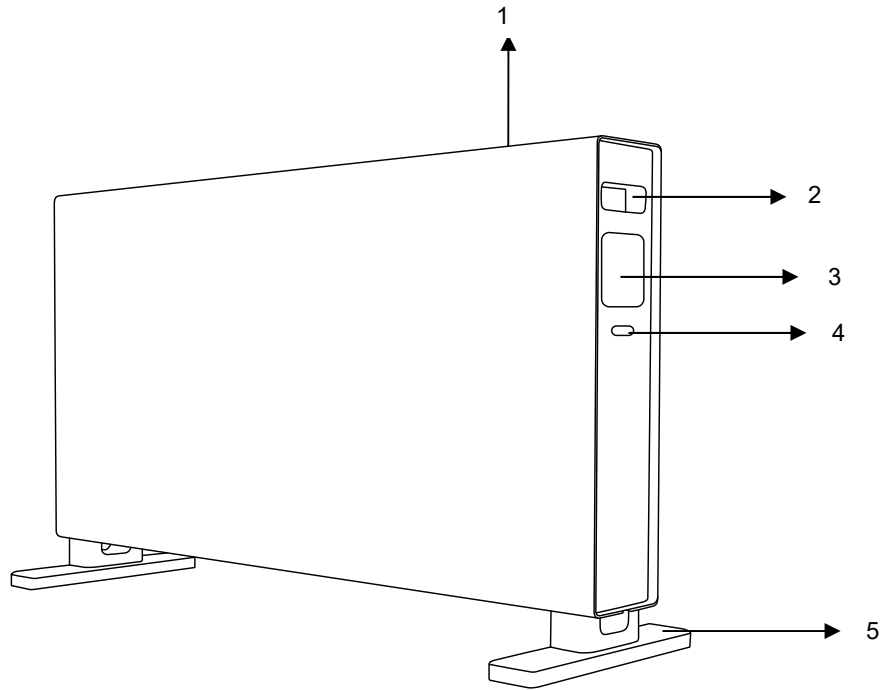
- The convector may cause risk of fire if, while in operation, is covered by or comes into contact with **flammable** material including curtains, drapery, blankets, etc. **KEEP THE CONVECTOR AWAY FROM THESE MATERIALS.**
- Do not insert and avoid accidental insertion of any external objects into the ventilation or discharge outlets as this may lead to electric shock, fire or damage the convector.
- A convector contains parts that generate arcs or sparks. It must not be used in potentially dangerous areas such as areas at risk of fire or explosion, or areas loaded with chemical substances or humidity.
- Do not use the convector on soft surfaces such as beds, where the grilles may be covered. Always stand the convector on a flat, stable surface when in operation, in order to prevent it from overturning. Arrange the cord in such a way that the convector and other objects do not rest on it. Do not run the cord under carpets. Do not cover the cord with blankets, carpets or similar materials. Place the cord far away from busy areas, or in a place where it cannot be accidentally pulled-out.
- Never position the convector where it may fall into a bath or other containers of water.
- Never position the convector on a wet floor.
- In any case, the adjustment switches must never be accessible by anyone in a bath or shower.
- The heating appliance must not be positioned immediately below a power outlet.
- The socket must be earthed.
- Do not allow the electric cord to touch the metal structure of the convector when it is hot or in operation, in order to avoid the high temperatures ruining the cord.
- Do not operate the convector outdoors. Do not use the convector in front of or near an open window.
- **WARNING: do not use the convector with an external controller or any other external device that activates the convector automatically, as there may be a risk of fire if the convector is covered or incorrectly positioned.**
- Upon initial start-up, the convector may emit a slight, harmless smell. This smell is a normal effect of the initial heating up of the internal heating elements, and should not recur later on.

- Do not attempt to repair, disassemble or modify the convector. The convector does not contain parts that can be repaired by the user.
- Turn the switch off and unplug before carrying out any maintenance work or moving the convector. Always unplug from the socket when the convector is not in use.
- **WARNING: ALWAYS UNPLUG WHEN CARRYING OUT MAINTENANCE WORK OR MOVING THE CONVECTOR.**
- Do not place anything on the convector; avoid placing wet garments on the convector.
- Turn the appliance off if unattended in order to avoid accidents.
- If the convector is not used for prolonged periods, disconnect the plug, replace the convector in its box and store it in a dry, ventilated place.
- Ensure that the air inlet /outlet are not close to walls or curtains when the convector is in use, so as to avoid obstructing the convector and hampering its efficiency.
- Place the convector at a distance of at least 1 meter from walls and objects.
- Should you hear an abnormal noise or detect an unusual smell when using the convector, cease use and unplug immediately.
- Do not expose the elderly or children to a continuous flow of air.
- Do not use the convector if it has been damaged or dropped.
- Do not use the convector without the feet mounted and do not use feet other than those supplied with the product.

WARNING:

THE ON/OFF SWITCH IS NOT THE ONLY MEANS TO DISCONNECT THE POWER SUPPLY. ALWAYS PULL OUT THE PLUG FROM THE SOCKET IN THE EVENT OF MAINTENANCE OPERATIONS, WHEN MOVING THE PANEL OR WHEN NOT IN USE.

DESCRIPTION OF PARTS



- 1. Air outlet
- 2. Handle
- 3. Display and touch control panel

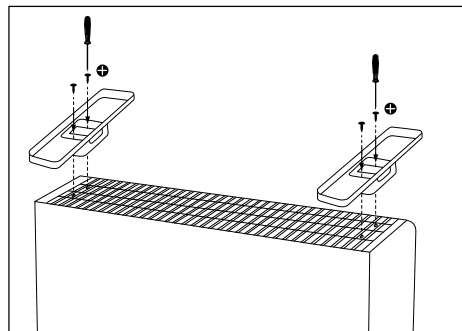
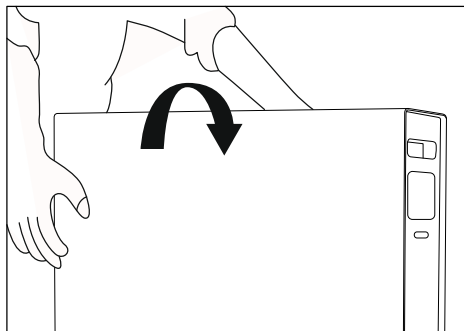
- 4. ON/OFF switch
- 5. Foot

HOW TO INSTALL THE APPLIANCE

The convector can be used on the floor, after assembling the feet.

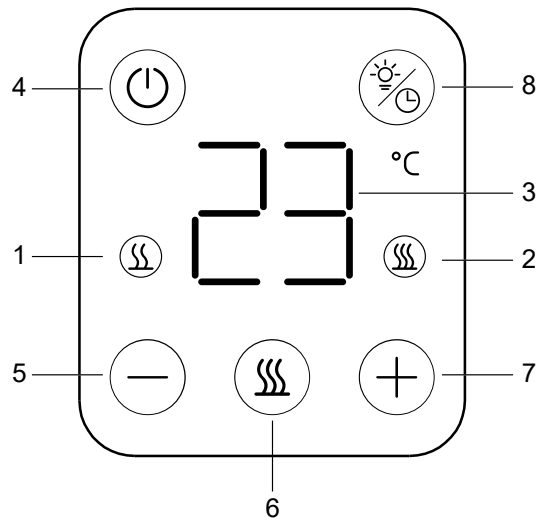
The convector is packed without feet. These must therefore be assembled before using the appliance. Assemble the feet as shown in the figure and put the convector in an upright position. Position the unit on a flat, stable surface.

- 1. Turn the convector upside down
- 2. Insert the feet. The longest part must be positioned behind on the rear the convector.
- 3. Tighten the wing nuts on the feet.





CONTROL PANEL AND FUNCTIONS

TOUCH CONTROL PANEL ON THE APPLIANCE





1	Low power heating LED	LED on display
2	High power heating LED	
3	Display Temperature/Timer	
4	Standby button	Operation buttons
5	Button -	
6	Heating setting button	
7	Button +	
8	Brightness/Timer button	

Connect the power cord to an appropriate power outlet (220-240V ~ 50-60Hz).
Press the power button located on the side of the convector, a beep will sound.

The button  will light up on the control panel. Then press the Standby button  on the panel to switch on the convector. Press the same button to switch off the convector.
It is advisable to unplug the power cord if the product is not in use.

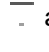

Heating mode selection button

Press this button to select the heating mode between high and low. According to the selection made on the display, the corresponding LEDs will light up:

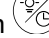


Icon on display		
Heating power	Low 1250W	High 2000W


Temperature selection buttons and



Press the buttons on the control panel to select the desired temperature between 10 ° C up to 35 ° C.

When the temperature reaches 10 ° C, press the button  and the anti-freeze function will be activated, will appear on the display . When the anti-freeze function is active, the reference temperature is 7 ° C.

Timer Button and Display Illumination

Timer function: Press and hold the button  for about 3 seconds, the display will show 0h, then press the  and  buttons to select the operating interval from 1 to 9 hours (the time increases by 1 hour at each selection), on the display the set time will be shown.

Display lighting function: The standard lighting is 100%, press the button  to change the intensity of the lighting in the following circular sequence 100% -> 50% -> 25% -> 0%

When the lighting intensity is 0%, the display is off, the Standby button  and the Timer / Display lighting button  are always lit with a lighting intensity of 25%, if no selection is made.

MAINTENANCE AND STORAGE

ALWAYS UNPLUG THE APPLIANCE BEFORE CLEANING OR MAINTENANCE.

IMPORTANT: DO NOT SUBMERGE THE CONVECTOR IN WATER.

Cleaning the outside surface of the appliance

Turn the switch off and unplug before carrying out any maintenance work or moving the appliance.

Use a soft cloth to remove any dust from the convector.

If the convector is excessively dirty, use a soft cloth moistened with water and a mild detergent at a temperature lower than 50°C. Let the convector dry completely before use.

Do not use corrosive detergents or solvents such as petrol. Do not wash the appliance with water. Do not use oils, chemical substances or other items to clean that may damage the surface.

Use a vacuum cleaner to remove dust from the air inlet/outlet grilles.

STORAGE

If the appliance is not used for prolonged periods, it must be stored together with this manual in its original packaging, in a cool and dry place.

Table 2

INFORMATION REQUIREMENTS FOR ELECTRIC LOCAL SPACE HEATERS

Annex II - Ecodesign requirements - Requirements for product information -
 COMMISSION REGULATION (EU) 2015/1188 of 28 April 2015 implementing Directive 2009/125/EC of the European Parliament and of the Council with regard to ecodesign requirements for local space heaters

Model identifier(s): DAKOTA					
Item	Symbol	Value	unit	Item	unit
Heat output				Type of heat input, for electric storage local space heaters only (select one)	
Nominal heat output	P _{nom}	1,9	kW	manual heat charge control, with integrated thermostat	[no]
Minimum heat output (indicative)	P _{min}	1,25	kW	manual heat charge control with room and/or outdoor temperature feedback	[no]
Maximum continuous heat output	P _{max,c}	1,9	kW	electronic heat charge control with room and/or outdoor temperature feedback	[no]
Auxiliary electricity consumption				fan assisted heat output	
At nominal heat output	e _{lmax}	0	kW	Type of heat output/room temperature control (select one)	
At minimum heat output	e _{lmin}	0	kW	single stage heat output and no room temperature control	[no]
In standby mode	e _{lsb}	0	kW	Two or more manual stages, no room temperature control	[no]
				with mechanic thermostat room temperature control	[no]
				with electronic room temperature control	[yes]
				electronic room temperature control plus day timer	[no]
				electronic room temperature control plus week timer	[no]
				Other control options (multiple selections possible)	
				room temperature control, with presence detection	[no]
				room temperature control, with open window detection	[no]
				with distance control option	[no]
				with adaptive start control	[no]
				with working time limitation	[no]
				with black bulb sensor	[no]
Seasonal energy efficiency of space heating					$\eta_s(\%)$ 37
Contact details :	ARGOCLIMA SPA - Via A. Varo,35 - Alfianello (BS) - ITALY - www.argoclima.com				



Information for correct disposal of the product in accordance with the European Directive 2012/19/EU

At the end of its working life this equipment must not be disposed of as an household waste. It must be taken to special local community waste collection centres or to a dealer providing this service. Disposing of electrical and electronic equipment separately avoids possible negative effects on the environment and human health deriving from an inappropriate disposal and enables its components to be recovered and recycled to obtain significant savings in energy and resources. In order to underline the duty to dispose of this equipment separately, the product is marked with a crossed-out dustbin.



improve your life

www.argoclima.com