



improve your life

CE

EN

KANSAS

ELECTRIC CONVECTOR HEATER



This product is only suitable for correctly-insulated environments or for occasional use.

OPERATING INSTRUCTIONS

Read the instructions carefully before operating the appliance or carrying out maintenance operations. Observe all the safety instructions; failure to observe the instructions may lead to accidents and/or damage. Keep these instructions in a safe place for future reference.

GENERAL SAFETY INFORMATION

- Use this convector only as outlined in this manual. Any other use not recommended by the manufacturer may cause fire, electric shock or injury to persons.
- This convector is designed for domestic use. It must not be used for commercial or industrial purposes.
- Ensure that the mains voltage complies with that indicated on the convector data plate (220-240V~ 50-60Hz).
- This appliance can be used by children aged from 8 years and above and people with reduced physical, sensory or mental capabilities or lack of experience and knowledge if they have been given supervision or instruction concerning use of the appliance in a safe way and understand the hazards involved.
- Children shall not play with the appliance.
- Cleaning and user maintenance shall not be made by children without supervision.
- Remove the convector from its packaging and check that it is in good condition before use. Keep any plastic bags away from children.
- Check the cord and plug before using the convector to ensure that they have not been damaged during transport.
- This product is not a toy.
- Children under the age of 3 must be kept away if not continuously supervised.
- Children aged between 3 and 8 must only turn the appliance on / off as long as it has been placed or installed in its normal operating position and that they receive surveillance or instructions regarding the safe use of the appliance and understand the dangers.
- Children between 3 and 8 years of age must not insert the plug, adjust or clean the appliance or carry out maintenance by the user.
- **CAUTION - Some parts of this product can become very hot and cause burns. Particular attention has to be given where children and vulnerable people are present.**
- **WARNING:** In order to avoid hazard due to inadvertent resetting of the thermal cut-out, this appliance must not be supplied through and external switching device, such as a timer, or connected to a circuit that is regularly switched on and off by the utility.

- **WARNING: do not use the convector with a controller or any other external device that activates the appliance automatically, as there may be a risk of fire if the fan heater is covered or incorrectly positioned.**
- Disconnect the mains power when the appliance is not used or for cleaning operations.
- To disconnect the convector, turn off the appliance by turning the heating mode adjustment knob, located on the side and remove the plug from the socket.
- Avoid placing fingers or foreign objects in the air inlet/outlet grilles, as this may lead to electric shock or fire and may damage the convector. To avoid the risk of fire, do not block the grilles or tamper with them in any way while the convector operates.
- **Do not use the convector if the cord or plug is damaged.** If the power cable is damaged, it must be replaced by the manufacturer or its technical assistance service or in any case by a person with a similar qualification, in order to prevent any risk.
- Do not place any objects on the cord and do not bend it. During operation, the cord must be entirely unwound.
- It is not advisable to use extension cords, as these may overheat and cause the risk of fire. Do not use a single extension cord to operate more than one convector.
- The convector heats up significantly during operation. Risk of burn.
- To avoid injury, do not allow skin to come into contact with a hot surface. Use the handle to move the convector. Keep flammable materials, such as furniture, cushions, blankets, paper, cloths, curtains and suchlike at least 1 m from the front and back
- Do not immerse the cord, plug or any other element of the panel in water or other liquids.
- Do not touch the plug or convector with wet hands.
- Avoid using the convector in dusty environments or in the presence of flammable vapors (e.g. in workshops or garages).
- Do not place the convector above or near another heat source.

WARNING: AVOID COVERING THE CONVECTOR TO PREVENT IT FROM OVERHEATING.

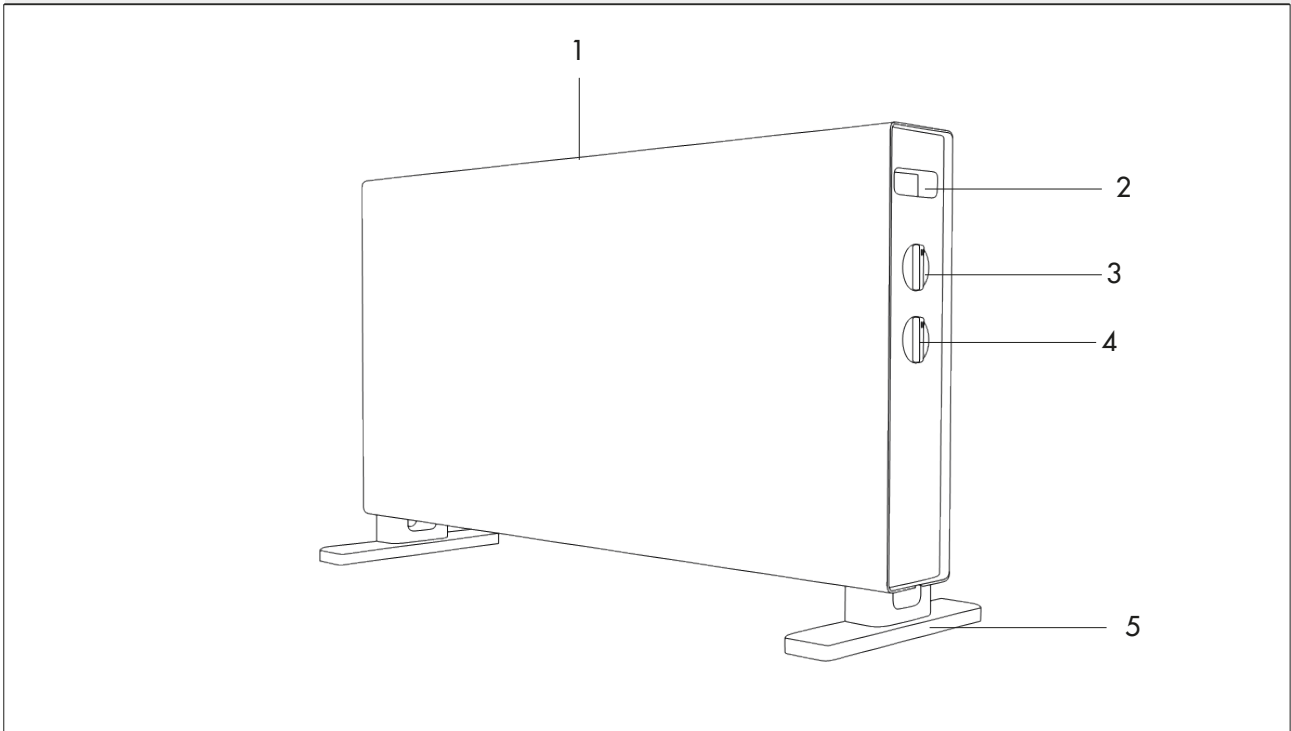
The symbol below signals this warning:



- The convector may cause risk of fire if, while in operation, is covered by or comes into contact with **flammable material** including curtains, drapery, blankets, etc. **KEEP THE CONVECTOR AWAY FROM THESE MATERIALS.**
- Do not insert and avoid accidental insertion of any external objects into the ventilation or discharge outlets as this may lead to electric shock, fire or damage the convector.
- A convector contains parts that generate arcs or sparks. It must not be used in potentially dangerous areas such as areas at risk of fire or explosion, or areas loaded with chemical substances or humidity.
- Do not use the convector on soft surfaces such as beds, where the grilles may be covered. Always stand the convector on a flat, stable surface when in operation, in order to prevent it from overturning.
- Arrange the cord in such a way that the convector and other objects do not rest on it. Do not run the cord under carpets. Do not cover the cord with blankets, carpets or similar materials. Place the cord far away from busy areas, or in a place where it cannot be accidentally pulled-out.
- Never position the convector where it may fall into a bath or other containers of water.
- Never position the convector on a wet floor.
- In any case, the adjustment knobs must never be accessible by anyone in a bath or shower.
- The heating appliance must not be positioned immediately below a power outlet.
- The socket must be earthed.
- Do not allow the electric cord to touch the metal structure of the convector when it is hot or in operation, in order to avoid the high temperatures ruining the cord.
- Do not operate the convector outdoors. Do not use the convector in front of or near an open window.
- Upon initial start-up, the convector may emit a slight, harmless smell. This smell is a normal effect of the initial heating up of the internal heating elements, and should not recur later on.

- Do not attempt to repair, disassemble or modify the convector. The convector does not contain parts that can be repaired by the user.
- Turn the switch off and unplug before carrying out any maintenance work or moving the convector. Always unplug from the socket when the convector is not in use.
- **WARNING: ALWAYS UNPLUG WHEN CARRYING OUT MAINTENANCE WORK OR MOVING THE CONVECTOR.**
- Do not place anything on the convector; avoid placing wet garments on the convector.
- Turn the appliance off if unattended in order to avoid accidents.
- If the convector is not used for prolonged periods, disconnect the plug, replace the convector in its box and store it in a dry, ventilated place.
- Ensure that the air inlet /outlet are not close to walls or curtains when the convector is in use, so as to avoid obstructing the convector and hampering its efficiency.
- Place the convector at a distance of at least 1 meter from walls and objects.
- Should you hear an abnormal noise or detect an unusual smell when using the convector, cease use and unplug immediately.
- Do not expose the elderly or children to a continuous flow of air.
- Do not use the convector if it has been damaged or dropped.
- Do not use the convector without the feet mounted and do not use feet other than those supplied with the product.
- **WARNING: THE HEATING SETTING KNOB IS NOT THE ONLY MEANS TO DISCONNECT THE POWER SUPPLY. ALWAYS PULL OUT THE PLUG FROM THE SOCKET IN THE EVENT OF MAINTENANCE OPERATIONS, WHEN MOVING OR WHEN NOT IN USE.**

DESCRIPTION OF PARTS



1. Air outlet
2. Carrying handle
3. Thermostat adjustment knob

4. Heating mode adjustment knob
5. Feet

HOW TO INSTALL THE APPLIANCE

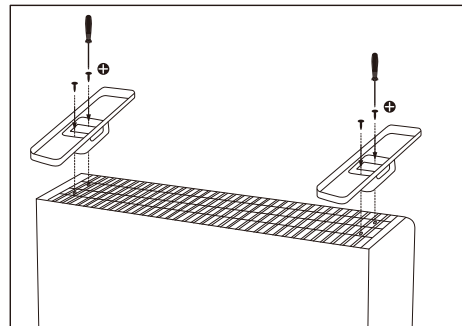
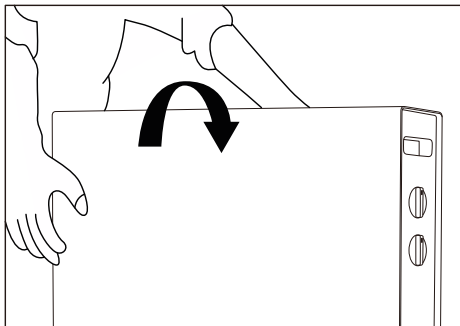
The convector can be used on the floor, after mounting the feet.

ASSEMBLE THE FEET SUPPLIED

In the packaging, the convector does not have its feet, which must therefore be mounted before putting the appliance into operation.

Assemble the feet as described and then put the convector back upright.

1. Turn the convector upside down
2. Insert the feet. The longest part must be positioned behind on the rear the convector
3. Tighten the wing nuts on the feet.



HOW TO USE THE CONVECTOR

Connect the power cord to an appropriate power outlet (220-240V ~ 50-60Hz).

Use the heating mode adjustment knob to set the convector to function (when it is off it is in position 0), selecting the desired heating mode from:

I (ECO 750 W) - II (COMFORT 1250 W) - III (SUPER 2000 W)

Then turn the thermostat adjustment knob to set the desired temperature.

When you want to switch off the convector, turn the heating mode adjustment knob again, bringing it to the 0 position and turn the thermostat adjustment knob to the minimum position.

In case of prolonged non-use, unplug the power cord from the power outlet.

ANTI OVERHEATING DEVICE

The convector is equipped with an overheating device, which automatically stops its operation. Then switch off the convector, check that the air outlet grilles are not blocked, then wait at least 5 minutes to allow the device to reset itself and resume operation.

If the device does not resume normal operation or if the problem persists, contact a qualified service center.

MAINTENANCE AND STORAGE

CAUTION: ALWAYS UNPLUG THE APPLIANCE BEFORE CLEANING OR MAINTENANCE OPERATIONS.

IMPORTANT: DO NOT IMMERSE THE CONVECTOR IN WATER

Cleaning the outside surface of the appliance

Use a soft cloth to remove any dust from the convector. If the convector is excessively dirty, use a soft cloth dampened with water and neutral detergent at a temperature below 50°C. Leave the fan heater to dry completely before using it again. Do not use corrosive detergents or solvents such as petrol. Do not wash the appliance with water. When cleaning the appliance, do not use oils, chemical substances or other items that may damage the surface. Use a vacuum cleaner to remove dust from the air inlet/outlet grilles.

STORAGE

If the appliance is not used for prolonged periods, it must be stored together with this manual in its original packaging, in a cool and dry place.

INFORMATION REQUIREMENTS FOR ELECTRIC LOCAL SPACE HEATERS

Table 2 - Annex II - Ecodesign requirements - Requirements for product information - COMMISSION REGULATION (EU) 2015/1188 of 28 April 2015 implementing Directive 2009/125/EC of the European Parliament and of the Council with regard to ecodesign requirements for local space heaters/locale.

Model identifier(s): KANSAS					
Item	Symbol	Value	Unit	Item	Unit
Heat output				Type of heat input, for electric storage local space Heaters only (select one)	
Nominal heat output	P_{nom}	1,8-2,0	kW	Manual heat charge control, with integrated Thermostat	[no]
Minimum heat output (indicative)	P_{min}	0,75	kW	Manual heat charge control with room And/or outdoor temperature feedback	[no]
Maximum continuous heat output	$P_{max,c}$	2,0	kW	Electronic heat charge control with room And/or outdoor temperature feedback	[no]
Auxiliary electricity consumption				Fan assisted heat output	[no]
At nominal heat output	e_{lmax}	N/A	kW	Type of heat output/room temperature control (select one)	
At minimum heat output	e_{lmin}	N/A	kW	Single stage heat output and no room Temperature control	[no]
In standby mode	e_{lsb}	0	kW	Two or more manual stages, no room Temperature control	[no]
				With mechanic thermostat room Temperature control	[yes]
				With electronic room temperature control	[no]
				Electronic room temperature control plus Day timer	[no]
				Electronic room temperature control plus Week timer	[no]
				Other control options (multiple selections possible)	
				Room temperature control, with presence Detection	[no]
				Room temperature control, with open Window detection	[no]
				With distance control option	[no]
				With adaptive start control	[no]
				With working time limitation	[no]
				With black bulb sensor	[no]
The seasonal space heating energy efficiency				$\eta_s(\%)$	36
Contact details:	ARGOCLIMA SPA - Via A. Varo,35 - Alfianello (BS) - ITALY - www.argoclima.com				



INFORMATION ON THE CORRECT DISPOSAL OF THE PRODUCT pursuant to Art. 26 of (Italian) Legislative Decree no. 49 of 14/03/14, "IMPLEMENTATION OF DIRECTIVE 2012/19/EU ON WASTE ELECTRICAL AND ELECTRONIC EQUIPMENT"

At the end of its useful life, this appliance must not be disposed of together with household waste. We call your attention to the crucial role played by the consumer in the reuse, recycling and other forms of recovery of such waste. The dismantled appliance, with its components collected separately, must be delivered to the local waste disposal facility or returned to the dealer free of charge when purchasing a new equivalent appliance. Sorted disposal of electric and electronic equipment prevents potentially negative consequences on the environment and human health due to improper waste disposal, and also allows the constituent materials to be recovered and recycled, with significant savings in terms of energy and resources. In order to highlight the obligation regarding separate disposal of these devices, the appliance carries the crossed-out wheeled bin symbol.



improve your life

www.argoclima.com

Argoclima assumes no responsibility for any errors or inaccuracies in the content of this manual and reserves the right to make any changes to this manual at any time and without notice, deemed appropriate for any technical or commercial need.