

**SENCOR®**

**SVC 7522WH  
SVC 7523BK**



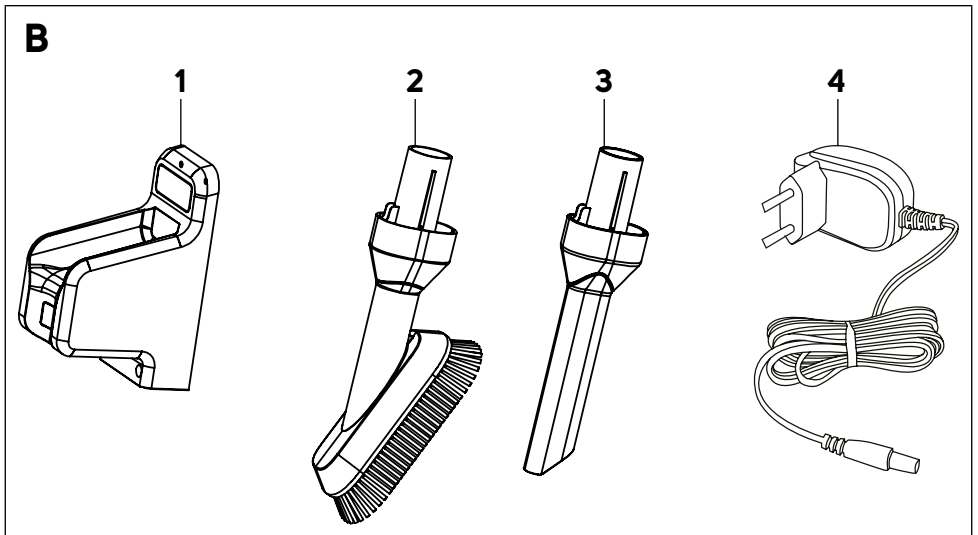
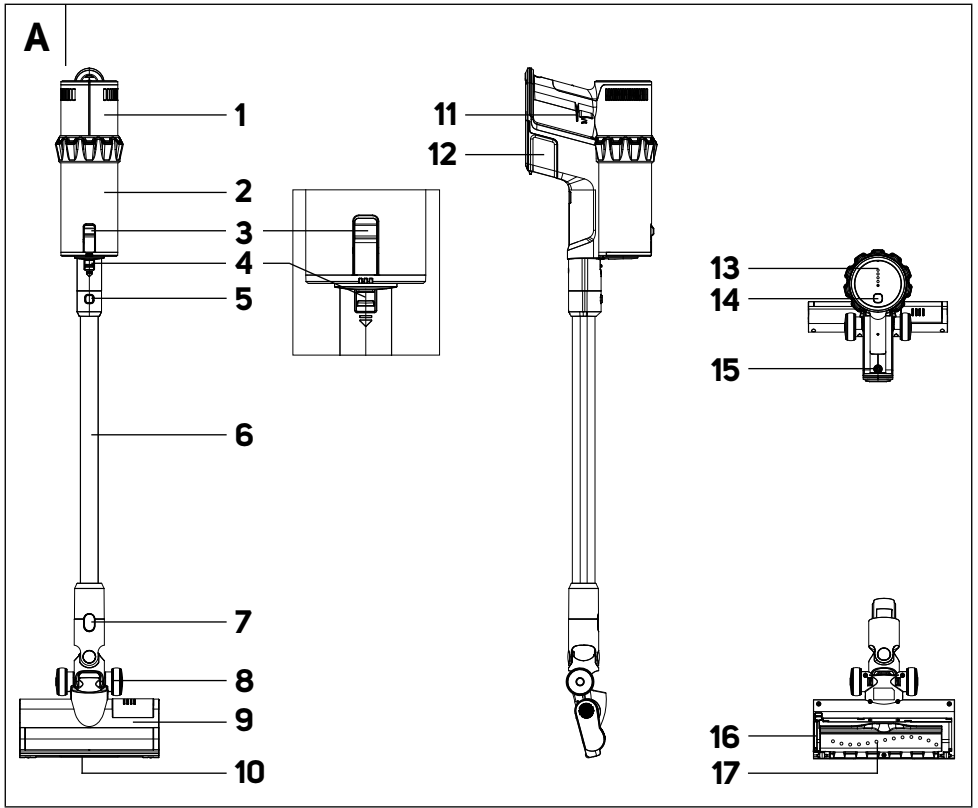
**CORDLESS VACUUM CLEANER 2 IN 1**  
Translation of the original manual



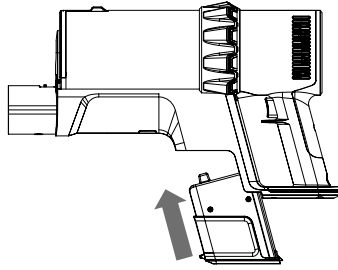
**SENCOR®**

**SVC 7522WH  
SVC 7523BK**

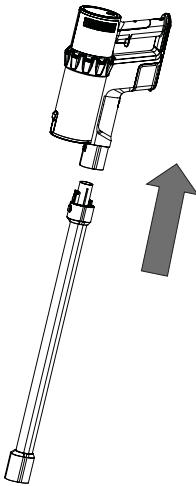




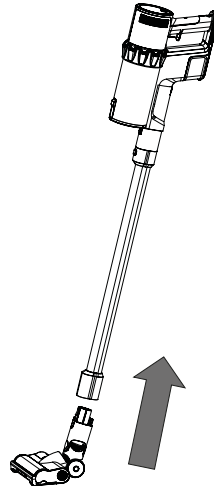
**C**



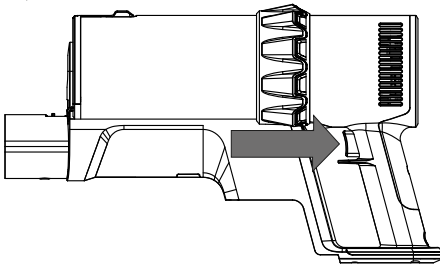
**D1**



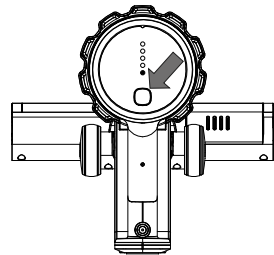
**D2**



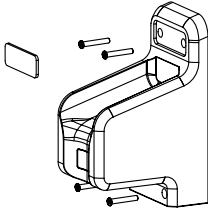
**E1**



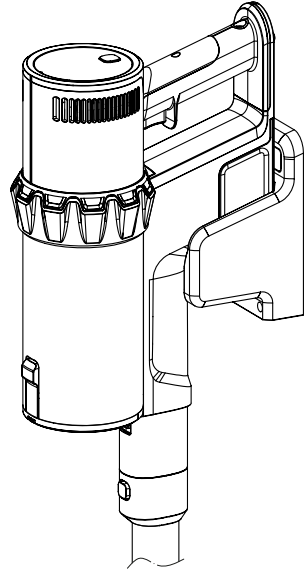
**E2**



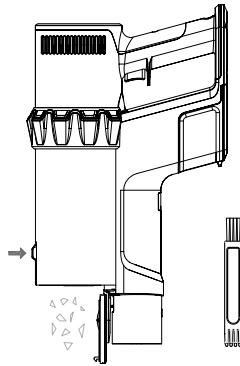
**F1**



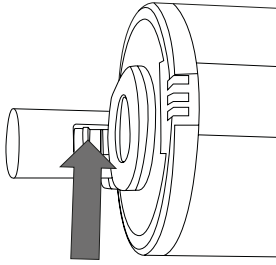
**F2**



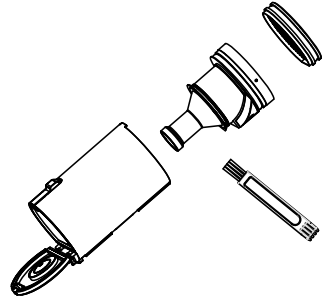
**G**



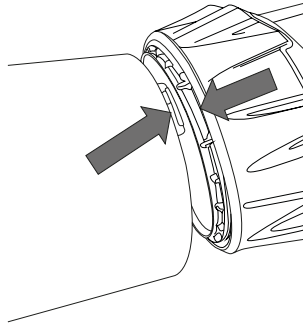
**H1**



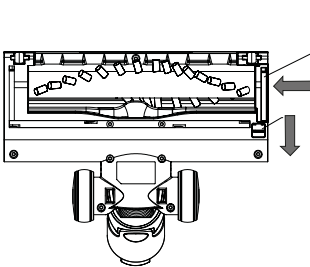
**H2**



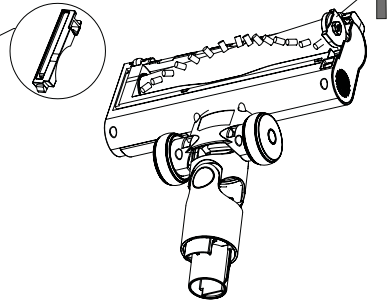
**H3**



**I1**



**I2**



# EN Cordless vacuum cleaner 2 in 1

## Important safety instructions

### READ CAREFULLY AND STORE FOR FUTURE USE.

- This vacuum cleaner may be used by children 8 years of age and older and by persons with physical, sensory or mental impairments or by inexperienced persons, if they are properly supervised or have been informed about how to use this vacuum cleaner in a safe manner and understand the potential dangers.
- Children must not play with the appliance. Cleaning and maintenance performed by the user must not be performed by unsupervised children.
- In the event that the power adapter is damaged, it must be replaced with an original type. For a replacement power adapter, please contact an authorised service centre. It is forbidden to use the appliance if it has a damaged power adapter.



#### **WARNING:**

Avoid coming into contact with the rotating parts of the vacuum cleaner's hand accessories. There is a risk of getting caught on these parts and possible injury.

Only use the vacuum cleaner with the original power adapter, charging base and accessories that were supplied with it.

- This vacuum cleaner is designed for use in households, offices and similar types of areas. Do not use in industrial surroundings.
- Do not expose the vacuum cleaner to direct sunlight and do not place it near an open fire or appliances that are a source of heat.
- Before connecting the adapter to a power socket, check that the technical details on its rating label match the electrical voltage in the power socket.
- Make sure the adapter power cord is not touching a hot surface or sharp objects. Position the adapter power cord so that it will not be tripped over.
- Never submerge the vacuum cleaner or the power adapter in water or any other liquid and do not wash it under running water.
- Before turning on the vacuum cleaner, make sure that it is correctly assembled and that all inflow and outflow filters are installed in their place.
- When the vacuum cleaner is running, ensure that the air outlets and the suction opening are not blocked.
- Do not use the vacuum cleaner to vacuum the following items:
  - smouldering cigarettes, burning items, matches or embers;
  - water and other liquids;
  - flammable or volatile materials;
  - sharp items, e.g. broken glass, needles, pins, etc.;
  - flour, wall plaster, cement and other building materials;
  - larger pieces of paper or plastic bags, which can easily block the suction hole.
- Vacuuming of some types of floors or floor surfaces can create an electrostatic discharge, which presents no danger to the user.
- Before using the vacuum cleaner on highly polished floors (e.g. wooden floor or polished floor tiles) check that the floor nozzle (particularly the position of the brush roll) is clean. Any foreign objects could scratch the floor surface.
- Always turn off the vacuum cleaner when leaving it without supervision, after finishing using it and before cleaning it.
- Disconnect the power adapter from the power socket before cleaning it and after it has finished charging.
- Disconnect the power adapter from the power socket by pulling on the plug, never pulling on the power cord. Otherwise, this could damage the power adapter or the socket.
- If the power adapter is damaged, it must be replaced with an original type. For a replacement power adapter, please contact an authorised service centre.
- Do not use the vacuum cleaner if it is not working correctly, if it has been damaged or has been submerged in water.
- Do not repair the vacuum cleaner yourself or make any adjustments to it. Have all repairs or adjustments performed at an authorised service centre. By tampering with the appliance, you risk voiding your legal rights arising from unsatisfactory performance or quality warranty.



- Thank you for purchasing a SENCOR brand product and we hope that you will be happy with it.
- Prior to using this appliance, please read the user's manual thoroughly, even in cases, when one has already familiarised themselves with previous use of similar types of appliances. Only use the appliance in the manner described in this user's manual. Keep this user's manual in a safe place where it can be easily retrieved for future use.
- We recommend saving the original cardboard box, packaging material, purchase receipt and responsibility statement of the vendor or warranty card for at least the duration of the legal liability for unsatisfactory performance or quality. In the event of transportation, we recommend that you pack the appliance in the original box from the manufacturer.

### DESCRIPTION OF THE VACUUM CLEANER

<b>A1</b> Motor unit	<b>A9</b> Floor nozzle
<b>A2</b> Dust container	<b>A10</b> LED reflector
<b>A3</b> Button for releasing the bottom of the dust container for fast emptying of dust and dirt	<b>A11</b> On/Off button
<b>A4</b> Dust container release button	<b>A12</b> Battery
<b>A5</b> Metal tube release clip	<b>A13</b> Battery charge level indicators
<b>A6</b> Metal tube	<b>A14</b> Power level button
<b>A7</b> Floor nozzle release clip	<b>A15</b> Charging plug connection socket
<b>A8</b> Travel wheels	<b>A16</b> Brush roll release clip
	<b>A17</b> Brush roll

### DESCRIPTION OF ACCESSORIES

<b>B1</b> Wall-mounted holder	<b>B3</b> Crevice nozzle
<b>B2</b> Soft brush	<b>B4</b> Power adapter

### ASSEMBLING AND DISASSEMBLING THE VACUUM CLEANER

#### 1. Assembling and disassembling the upright vacuum cleaner

Insert the tube into the outlet hole of the motor unit in such a way that the connectors in the rear part of the nozzle align with the holes in the outlet hole – see figure **D1**.

Place the floor nozzle on an even, dry and stable surface. Put the tube on to the floor nozzle in such a way that the connectors in the rear part of the floor nozzle align with the opening inside the tube – see figure **D2**. Push the tube in until you hear a click.

If you need to disassemble the cordless vacuum cleaner, press the motor unit release clip on the metal tube. Then press the floor nozzle release clip to release it.

#### 2. Assembling and disassembling the vacuum cleaner with accessories

In order to perfectly clean your home, you can attach some of the supplied accessories to the motor unit outlet. Simply attach the respective accessory by sliding it into the outlet hole in the motor unit and remove it by pulling it out.

##### 1) Soft brush

It is suitable for vacuuming dust and dirt from fragile items, from book shelves, walls, blinds, etc.

##### 2) Crevice nozzle

It is suitable for vacuuming hard to reach places (e.g. windows, corners, book shelves, areas between mattresses, upholstery, etc.).

### INSERTING AND REMOVING THE BATTERY

#### 1. Inserting the battery:

Check that the bottom of the dust container has properly clicked into place and that the dust container is properly inserted in the motor unit. Insert the battery into the motor unit – see figure **C**.



#### Warning:

Never insert the battery in reverse or by using excessive force. This could damage it.

#### 2. Removing the battery:

If you need to remove the battery, press the button on the battery and slide the battery out of the motor unit.



#### Warning:

When not using the vacuum cleaner for an extended period of time, take the battery out of it and store it in a cool, dry location. Regularly recharge the battery. Store it away from metal objects to prevent excessive discharging from occurring.

### CHARGING THE BATTERY

The battery is partially charged from the factory and it needs to be charge to full capacity.

Connect the connector of the power adapter into the socket in the battery and the power adapter plug into a power socket.

The charging indicator will start flashing. As a rule, the first charge takes 4,5 hours.

When the battery is fully charged, all the battery charge level indicators will be lit.

When the battery is almost flat, the vacuum cleaner will stop running in order to prevent the battery from discharging fully.



#### Note:

When you have finished cleaning, connect the battery to a power adapter so that it can recharge.

Keep the charging adapter plugged in permanently. The electronics in the appliance control the battery charging process and ensure that it is always optimally charged.

When the battery is fully charged, the electronics interrupt the charging process and resume it when it is necessary to charge it again. There is no need to worry about wasting electricity.

Disconnect the charging adapter from the power socket in the event of a long term absence. When you return, plug it back into the socket so that the vacuum cleaner is again ready for use.

### USING THE CORDLESS VACUUM CLEANER

1. Assemble the upright vacuum cleaner according to the instructions in section "**ASSEMBLING AND DISASSEMBLING THE CORDLESS VACUUM CLEANER**".
2. Press the On/Off button (see figure **E1**) and the vacuum cleaner will start.
3. Repeatedly press the power button (see figure **E2**) to set the required power output: low – medium – high.
4. When you have finished vacuuming, turn the vacuum cleaner off by pressing the On/Off button.



**Note:**

In the event that any rotating part jams, the vacuum cleaner will turn off automatically. Eliminate the cause of the jam and turn the vacuum cleaner on again and continue vacuuming.

In the event that the motor unit heats up excessively, the vacuum cleaner will turn off automatically. This is a normal event, where the thermal protection fuse is triggered, which serves as protection of the motor unit against damage due to overheating. Allow the vacuum cleaner to cool down and then turn it on again and continue vacuuming.



**Tip:**

It is possible to purchase a mop set for the vacuum cleaner under the part number SVX 056. In this way, you will be able to use the vacuum cleaner to mop and vacuum at the same time.

**Wall-mounted holder – installation**

A wall-mounted holder for storing the vacuum cleaner is included.

1. Remove the protective covers from the top part of the holder.
2. Hold the holder in the place where you wish to install it. Check that it is at a sufficient height that corresponds to the height of the vacuum cleaner.
3. Insert screws into the holes and, using a screwdriver, screw them into the wall – see figure **F1**.
4. Put the protective cover back on.

When not using the vacuum cleaner, hang it on the holder – see figure **F2**.

**CLEANING AND MAINTENANCE**

Always make sure that the vacuum cleaner is turned off before cleaning it. Remove the battery from the motor unit.

**Cleaning the motor unit and accessories**

To clean the outer parts of the vacuum cleaner, use a soft cloth dipped in lukewarm water. Do not use aggressive cleaning agents, paint thinners or solvents. Using these solutions could damage the surface of the appliance.

**CLEANING THE CORDLESS VACUUM CLEANER**

**Emptying the dust container**

It is recommended to always empty out the dust container after every use. If, however, the level of dust and dirt reaches the MAX mark, it is necessary to immediately dump out the dust container.

1. Remove the attached accessory from the motor unit.
2. Take the motor unit over to a garbage bin so that the bottom of the dust container points downwards.
3. Press the dust container release button. This will release and open it – see figure **G**.
4. In this way, you will dump the contents of the container directly into the garbage bin.
5. Use your hand to close the bottom of the container. The bottom of the dust container is securely locked in place when you hear a click.



**Note:**

For hygiene reasons, we recommend that you dump out the container away from living areas.

**Cleaning the dust container**

Regularly clean the dust container to prevent unpleasant odours from being created.

1. Remove the attached accessories from the motor unit and dump out the dust container according to the above mentioned instructions.
2. Press the dust container release button towards the container. The button is located directly below the container – see figure **H1**. Carefully tilt open its bottom part away from the motor unit. Then remove the container from the motor unit.
3. Take out the HEPA filter and the tube filter and clean them out – see figure **H2**.
4. Tap out the HEPA filter and remove the dirt and dust from it using a fine brush or soft wiping cloth. In the event of heavy soiling, you can vacuum it out using a different vacuum cleaner with an attached

brush nozzle. Do not wash the HEPA filter in water. This could damage it. In the event that the HEPA filter is already heavily soiled or deformed, replace it with a new one. We recommend replacing the HEPA filter based on the frequency of use, at least once every six months.

5. Remove dust and dirt from the tubular filter. If necessary, you can rinse it under clean running water. Then wipe them dry using a clean wiping cloth.
6. Wipe the inside walls of the dust container using a soft lightly dampened sponge. Wipe dry using a clean wiping cloth.



**Warning:**

Never install filters if they are wet or damp, or if the dust container is wet. Make sure that they are completely dry before installing them.

7. Insert the tube filter into the dust container and put the HEPA filter on to it.
8. Put the dust container against the top part of the motor unit so that the dust container release button is pointing away from the motor unit – see figure **H3**. Then put the dust container against motor unit so that the tab on the container slides into the cut-out in the motor unit. Push it in until you hear a click.

**Cleaning the floor nozzle**

It is necessary to regularly clean the floor nozzle to ensure the required level of continuous suction power.

1. Take the floor nozzle off the vacuum cleaner and turn it upside down.
2. Release and take out the brush roll clip – see figure **I1**.
3. Carefully take out the brush roll – see figure **I2**.
4. Remove any wound on hair, fur and other dirt. To speed up the removal of wound on hair or fur, you can use scissors.
5. Wipe out the internal area of the floor nozzle using a dry wiping cloth.
6. Insert the clean brush roll back into the floor nozzle. Correct attachment is indicated by a click. Then insert the clip back in its place.



**Warning:**

Under no circumstances submerge or wash the attachment in water or any other liquid.

**Storage**

When not using the vacuum cleaner for a long time, clean it according to the aforementioned instructions and take the battery out of the motor unit. Before storing it, check that the vacuum cleaner and all its accessories are thoroughly clean and dry.

Store the appliance in a dry, clean and well-ventilated location not exposed to extreme temperatures and out of children's reach.

In the event that the storage time exceeds 6 months, we recommend recharging the battery every 6 months.

**TROUBLESHOOTING**

Before you decide to contact an authorised service centre, please read through the following table:

Problem	Possible cause	Solution
The brush roll is not rotating.	The brush roll is blocked by a foreign object.	Turn off the vacuum cleaner, elimination the cause of the blockage and continue vacuuming.
	Thermal protection was triggered.	Allow the vacuum cleaner to cool down.
	The conductive contacts of the floor nozzle head are dirty.	Wipe the contacts with a dry wiping cloth and try it again.

The fan is not spinning.	The battery is flat.	Recharge the battery before using the vacuum cleaner.
	The vacuum cleaner was used for a longer time and thermal protection was triggered.	Allow the vacuum cleaner to cool down and then continue vacuuming.
	The filters and the suction hole are clogged.	Clean out the filters and the suction hole.
Suction power is weak	The dust container is full or the filters are dirty.	Empty out the dust container and clean the filters.
	There is a large amount of hair and fur wound on to the brush roll.	Clean the brush roll.



#### Attention:

If your problem is not specified in the above table or the specified problem continues to persist, stop using the vacuum cleaner, turn it off and contact an authorised service centre.




#### Note:

If the problem persists, turn off the vacuum cleaner and contact an authorised service centre.


### TECHNICAL SPECIFICATIONS

#### Power adapter

Input .....100–240 V~, 50/60 Hz, 0.5 A  
Output.....26 V , 0.5 A

#### Vacuum cleaner

Power input .....250 W  
Power input of floor nozzle .....30 W

Battery.....Li-ion / 21.6 V  / 2 200 mAh  
Time required for charging to full capacity .....approximately 4.5 hours  
Noise level.....≤ 80 dB(A)  
Dust container capacity .....0.5 l

The declared noise emission level of the appliance is ≤ 80 dB(A), which represents a level A of acoustic power with respect to a reference acoustic power of 1 pW.

### INDICATORS ON THE DISPLAY AND THEIR MEANINGS

Description	Meaning	Solution
4 indicators are flashing white three times per second.	Excessive charging current protection.	Disconnect the vacuum cleaner from the power source and allow it to cool down. Then allow it to charge again.
2 indicators are flashing white six times per second.	Output short circuit protection.	Turn off the vacuum cleaner and allow it to cool down. Then allow it to charge again to full capacity.
1 indicator is flashing white three times per second.	Normal voltage was not achieved after the excessive discharge protection was triggered.	Allow the vacuum cleaner to charge to full capacity.
The red indicator is flashing for 5 seconds.	Low current protection on the output protection	Turn off the vacuum cleaner and allow it to recharge.
3 indicators are flashing white three times per second.	Excessive current on the suction motor - the motor is overloaded.	Check that all the filters are clean. Otherwise the suction motor may be overloaded.
3 indicators are flashing white.	Excessive current on the floor nozzle motor. The motor will be reactivated after 30 seconds.	Check that the brush roll on the floor nozzle is not blocked, and clean it.
The red indicator is flashing every second.	Thermal protection during the charging process	Disconnect the vacuum cleaner from the power source, allow it to cool down and reconnect it.
1 indicator is flashing white six times per second.	Thermal protection during discharging	Turn off the vacuum cleaner, allow it to cool down and recharge it to full capacity.

Name of manufacturer	FAST ČR, a.s. U Sanitasu 1621 CZ -251 01 Říčany
Model identification number	Adapter for SVC 7522, SVC 7523
Input voltage	100–240 V~
Input frequency	50/60 Hz
Output voltage	26 V
Output current	0.5 A
Output power	13 W
Average efficiency in the active mode	86.05 %
Efficiency at low load (10 %)	78.48 %
Power consumption without load	0.077 W

Changes to text and technical parameters reserved.



#### Double insulation symbol

Safety class for electrical shock protection: Class II – Electrical shock protection is provided by double or heavy-duty insulation.



#### House symbol (domestic use)

The product is intended for household use only. The product is not intended for outdoor use.



#### Read user's manual symbol

Thoroughly read the all the instructions before using the product.



This symbol indicates that the appliance must not be used if the power plug is damaged.

## INSTRUCTIONS AND INFORMATION REGARDING THE DISPOSAL OF USED PACKAGING MATERIALS

Dispose of used packaging material at a site designated for waste in your municipality.

### DISPOSAL OF USED ELECTRICAL AND ELECTRONIC EQUIPMENT



This symbol on products or original documents means that used electric or electronic products must not be added to ordinary municipal waste. For proper disposal, renewal and recycling, hand these appliances over to determined collection points. Alternatively, in some European Union states or other European countries you may return your products to the local retailer when buying an equivalent new product.

Correct disposal of this product helps save valuable natural resources and prevents potential negative effects on the environment and human health, which could result from improper waste disposal. Ask your local authorities or collection facility for more details.

In accordance with national regulations penalties may be imposed for the incorrect disposal of this type of waste.

#### For business entities in European Union states

If you want to dispose of electrical or electronic equipment, ask your retailer or supplier for the necessary information.

#### Disposal in other countries outside the European Union.

This symbol is valid in the European Union. If you wish to dispose of this product, request the necessary information about the correct disposal method from the local council or from your retailer.



This product meets all the basic requirements of EU directives related to it.

### DISPOSAL OF BATTERIES



Prior to disposing of the product or handing it over at a specialised collection facility, it is necessary to ensure that the built-in battery is removed. Before removing the battery, it is necessary to start the vacuum cleaner and wait until it is completely flat. Battery removal will be performed at the authorised service centre.

The battery contains environmentally damaging substances and therefore does not belong in standard household waste. Their correct disposal will be performed by the respective collection facility.

