

SENCOR®

SOC 4010BL / SOC 4011GD



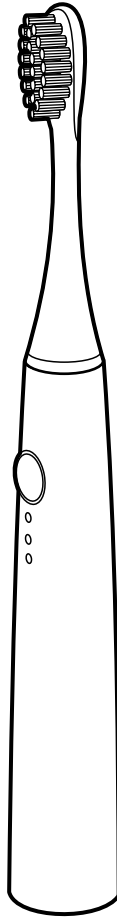
TOOTHBRUSH

Translation of the original manual

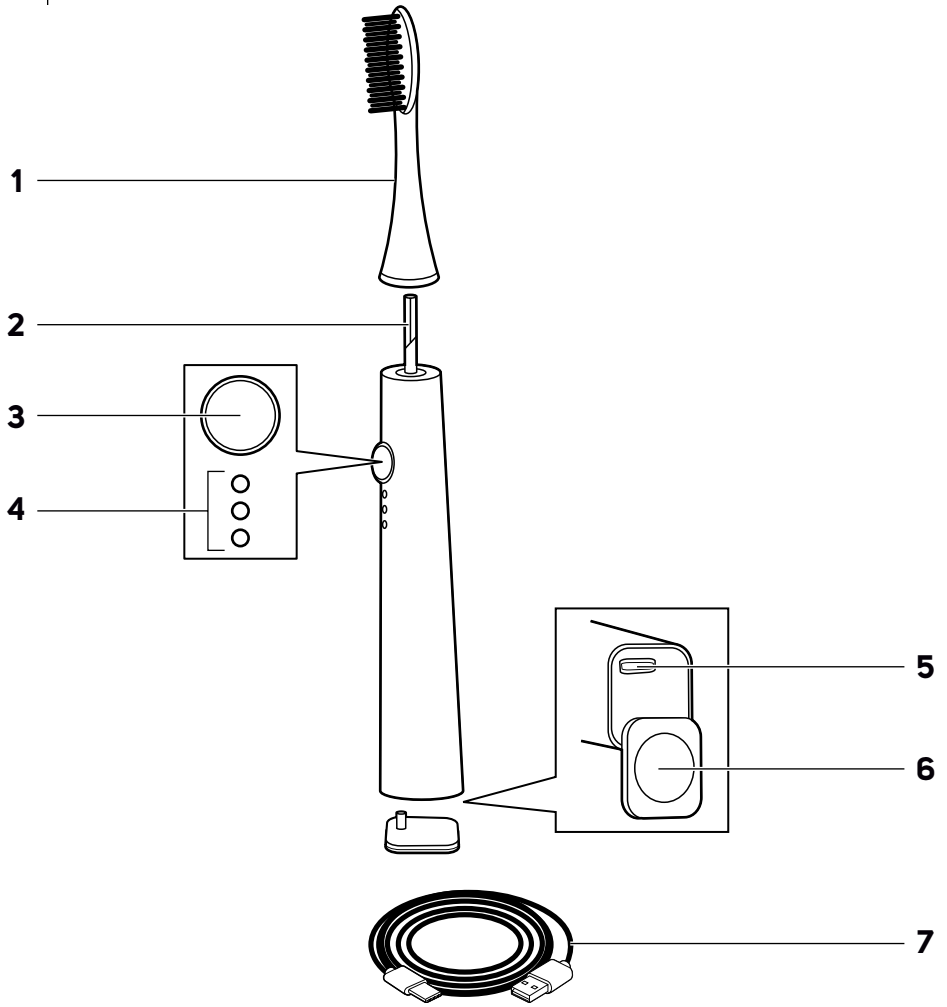


SENCOR®

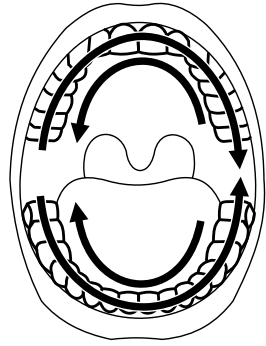
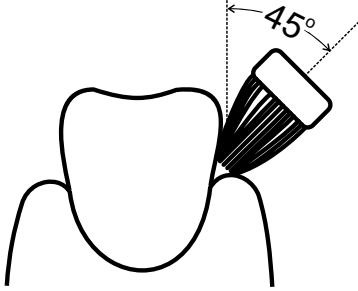
SOC 4010BL / SOC 4011GD



A



B



EN Toothbrush

Important safety instructions

READ CAREFULLY AND STORE FOR FUTURE USE.

- Toothbrushes may be used by children and persons with reduced physical or mental capabilities or with a lack of experience and knowledge, if they are supervised or have been instructed to use the appliance in a safe manner and understand the potential dangers.
- Children must not play with the appliance. Cleaning and maintenance performed by the user must not be performed by unsupervised children.
- In the event that the power cable is damaged, have it repaired at a professional service centre to prevent causing a dangerous situation. It is forbidden to use the appliance if it has a damaged power cable.
- The parts of the appliance that need to be mounted or stood upright, must be mounted or stood upright in such a way that they cannot fall into water.
- To charge the toothbrush, only use the included charging cable or a cable with the same parameters as the included charging cable.

TELELECTRICAL SAFETY

- Before connecting the USB power adapter (included), make sure the voltage stated on its rating label corresponds to the voltage in your power socket.
- Connect the appliance only to a properly grounded socket. Do not use an extension cord.
- Protect the supplied charging cable against the ingress of water. Do not place it in the vicinity of vessels filled with water, e.g. sinks, baths, etc., do not spray it with water, submerge it in water or wash it under running water.
- Do not connect and disconnect the USB power adapter to and from the power socket with wet hands.
- Ensure that the USB power adapter plug contacts do not come into contact with water or any other liquid. If precisely this happens, carefully dry the power plug before using it again.
- Do not disconnect the USB charging cable from the toothbrush or from the USB power adapter by pulling on the cable. This could damage the cable or the el. power socket. Disconnect the power cable from the power socket by pulling on the connectors.
- Do not place heavy items on the USB charging cable. Make sure the cable does not hang over the edge of a table and that it is not touching a hot surface or sharp objects.
- Keep the USB charging cable dry.
- If the USB charging cable or the USB power adapter is damaged, it must be replaced by the manufacturer, its service technician or by a similarly qualified person, as this will prevent a dangerous situation from arising. It is forbidden to use a damaged USB charging cable or USB power adapter.
- Do not wind the USB charging cable around the toothbrush unit.
- The appliance is equipped with a built-in long-life battery that can only be removed at a professional service centre. Never attempt to remove it from the appliance yourself.



Attention:

Never disassemble the appliance for the purpose of removing the battery. Never short circuit the appliance or throw it into a fire. Incorrect use, risks releasing toxic substances or causing a fire or explosion.

- Do not repair the appliance yourself or make any adjustments to it. Have all repairs or adjustments of the appliance performed at an authorised service centre. Tampering with the appliance during the warranty period may void the warranty.
- To prevent the risk of injury by electrical shock, never submerge the USB charging cable and the USB power adapter in water or any other liquid, or wash these parts under running water.
- If the USB charging cable or USB power adapter falls into water, under no circumstances continue using it, but rather hand it over to an authorised service centre for inspection.

SAFETY DURING USE

- This toothbrush serves to clean teeth and gums in the household. Do not use it for commercial purposes or for purposes other than those for which it is intended.
- Do not expose the toothbrush or its accessories to the effects of the outdoor environment, extreme temperatures, direct sunlight or locate it in the vicinity of an open flame, heating elements and other equipment or appliances that could be potential sources of heat.
- Charge, use and keep the toothbrush at room temperature.
- For hygiene reasons, toothbrush heads should be used by only a single user. Regularly replace the toothbrush head every 3 months, or sooner if it shows signs of wear. Use only original replacement toothbrush heads.
- Do not insert the toothbrush or its accessories into any bodily cavities, except for the mouth.
- When the toothbrush is used by children, supervise them while they are brushing their teeth until they acquire the proper tooth brushing technique.
- In the event that dental work or oral surgery was performed in the past two months, consult the use of a vibrating toothbrush with your dentist.
- In the event that gum bleeding occurs when the toothbrush is used and if bleeding does not stop even after a week of its use, contact your dentist.
- If your toothpaste contains peroxide, sodium bicarbonate or another bicarbonate (frequently used in whitening toothpastes), then thoroughly clean the brush and the handle after use.
- In the event that using the toothbrush causes unpleasant or painful feelings, stop using the toothbrush and consult this situation with your dentist.
- In the event that you have a pacemaker or another implanted device, consult the use of the toothbrush with your doctor or manufacturer of the implant.
- Perform cleaning and maintenance according to the instructions in chapter Cleaning and maintenance. Do not wash the toothbrush or its accessories in a dishwasher.
- Do not make any modifications to the toothbrush or its accessories. By tampering with the product you risk voiding your legal rights arising from unsatisfactory performance or quality warranty.

EN Toothbrush

user's manual

- Thank you for purchasing a SENCOR brand product and we hope that you will be happy with it.
- Prior to using this appliance, please read the user's manual thoroughly, even in cases, when one has already familiarised themselves with previous use of similar types of appliances. Only use the appliance in the manner described in this user's manual. Keep this user's manual in a safe place where it can be easily retrieved for future use. In the event that you hand this appliance over to somebody else, make sure to also include this user's manual.
- Carefully unpack the appliance and take care not to throw away any part of the packaging before you find all its parts. We recommend saving the original cardboard box, packaging material, purchase receipt and responsibility statement of the vendor or warranty card for at least the duration of the legal liability for unsatisfactory performance or quality. In the event of transportation, we recommend that you pack the appliance in the original box from the manufacturer.



Note:

When charging the toothbrush for the first time after purchase or when it has not been used for more than three months, it is necessary to charge it for 15 hours. If you are charging the toothbrush for the first time or if you have not used it for a long time, it may take several minutes before the LED charging indicator lights up. The toothbrush may heat up during the charging process. This is normal and does not indicate a malfunction.

- When you have finished charging, disconnect the charging cable from the toothbrush and the USB power adapter from the power socket.
- A fully charged toothbrush will run for up to 14 days without requiring a recharge.
- Although it is possible to recharge the toothbrush after it is fully discharged, in order to maintain the optimal lifetime of the battery, we recommend charging it at regular intervals (e.g. after 2-3 weeks of use).

DESCRIPTION OF THE APPLIANCE

A1 Toothbrush head	SENSITIVE – gentle cleaning mode for sensitive gums; indicator 2 is lit white and indicator 3 is lit green
A2 Connecting pin	
A3 Main switch/Cleaning mode toggle switch	
A4 Cleaning mode LED indicators (from above: 1, 2 and 3). Modes: CLEAN – standard cleaning mode; indicators 1 and 2 are lit green.	A5 USB charging cable insertion socket A6 Bottom cover A7 USB charging cable

RECOMMENDATIONS FOR EXTENDING THE LIFETIME OF THE BATTERY

- In order for the battery to serve you as long as possible, charge, use and store the toothbrush in a dry environment at an ambient temperature of 15-35 °C. Lower or higher temperatures have a negative impact on the lifespan of the battery.
- When the toothbrush is not used for an extended period of time, charge it at least once every 6 months.

BEFORE FIRST USE

- Before first use, rinse the head of the toothbrush with clean warm water.
- Wipe the body of the toothbrush with a dry or a very lightly dampened wiping cloth. Do not submerge the USB cable in water and do not wash it under running water.



Attention:

No part of this toothbrush is intended for washing in a dishwasher!

- Prior to first use, charge the toothbrush battery according to the following chapter.

CHARGING

- This toothbrush has a built-in battery that enables its cordless operation. The supplied USB charging cable is used for charging; it is inserted into a standard USB power adapter with the following parameters. **DC 5 V ± 0.5 A – 1 A.**
- Insert one end of the USB charging cable into the USB power adapter, and insert the power adapter into a power socket.
- With the toothbrush turned off, remove the bottom cover and insert the other end of the USB charging cable into the socket on the underside of the toothbrush. The charging process will start automatically. Then put the toothbrush down horizontally on to a suitable, level surface so that it cannot fall or that children cannot reach it.

OPERATION

PREPARATION FOR BRUSHING

- Slide the toothbrush head on to the connecting pin on the toothbrush body. A small gap shall remain between the toothbrush unit and the ring on the bottom end of the head, which does not constitute a defect. To remove the toothbrush head, proceed in the reverse sequence.
- Rinse the head of the toothbrush with water and apply a small amount of toothpaste on to it.
- Place the toothbrush head into your mouth between the teeth and gum.
- Press the main switch to start the toothbrush.

SETTING THE BRUSHING MODE

- The toothbrush has two brushing modes:
- **CLEAN** – mode for standard brushing of healthy teeth;
- **SENSITIVE** – gentle mode for sensitive teeth or gums, we recommend using this mode when teeth are more sensitive, when tooth necks are exposed, periodontitis, implants and other dental substitutes.
- Toggle between these modes by repeatedly pressing the main switch:
 - After first press of the main switch, the CLEAN mode will start. LED indicators 1 and 2 will be lit green.
 - If you wish to activate the SENSITIVE mode, you must press the main switch again **within 15 seconds** of turning on the toothbrush. LED indicator 2 will be lit white and indicator 3 will continue to be lit green.
 - Pressing the main switch on the toothbrush again, will turn it off.
- The last mode that was set is saved to memory. This means that the next time the toothbrush is started, it will run in the mode that was set previously.

CORRECT BRUSHING TECHNIQUE

- Place the toothbrush bristles on to the teeth at an angle of 45° in line with the gum, see figure B. Using short slow motions, move the

toothbrush to the other teeth. Once the outer side of the upper right dental arch is brushed, move the toothbrush to the inner side of the dental arch. Again, proceed from back to front. Adjust the toothbrush angle to the tooth arrangement. When brushing the inner side of the front teeth, hold the toothbrush handle vertical so that the tip of the toothbrush head points upwards. Finally, brush the upper tooth surfaces.

- In the same way, brush the right half of the lower dental arch, the left half of the lower dental arch and finally also the left half of the upper dental arch. When brushing the inner side of the front teeth of the lower dental arch, hold the toothbrush handle vertical so that the tip of the toothbrush head points downwards.

BRUSHING TIMER

- This toothbrush has a timer function that momentarily pauses the toothbrush every 30 seconds until it turns off automatically, thereby informing the user that it is time to start brushing the next part of their teeth. This will ensure that all the dental quadrants are brushed for the same amount of time.

AUTOMATIC SHUT-OFF

- The toothbrush is equipped with a timer that will automatically stop it after 2 minutes of operation. This is the tooth brushing time recommended by dentists for the vibrating toothbrush.

ENDING THE BRUSHING PROCESS

- If you wish to stop the operation of the toothbrush before the automatic shut-off time limit, then repeatedly press the main switch until the toothbrush turns off.
- When you have finished using the toothbrush, clean it according to the instructions in chapter CLEANING AND MAINTENANCE.
- If the charging indicator starts flashing after the main switch is turned on, this means that the battery is almost flat and needs to be recharged. Proceed according to chapter CHARGING

CLEANING AND MAINTENANCE



Warning:

Before cleaning, the toothbrush must always be turned off, disconnected from the USB charging cable and the bottom cover must be closed.
 For cleaning the toothbrush and its parts, never use cleaning products with an abrasive effect, solvents, etc. Otherwise, its surface may be damaged. No part of this toothbrush or the USB charging cable is intended for washing in a dishwasher!

- For hygiene reasons, regularly clean the toothbrush after every use.
- Thoroughly rinse the toothbrush head under lukewarm running water to remove any toothpaste or other remains. If whitening pastes are used when brushing teeth, it is recommended to apply a drop of soap on to the toothbrush head and then to thoroughly wash it under running lukewarm water. Remove the toothbrush head from the handle at least once per week and clean it under running water in the location where it is attached to the handle.
- Rinse the toothbrush handle under lukewarm running water and then dry it.
- In the event that the USB charging cable is damaged, wipe it with a dry wiping cloth. Ensure that the connectors of the cable do not come into contact with water or moisture.
- Never dry parts of the toothbrush over heat sources such as wood stoves, electric or gas stoves, etc.

REPLACING THE TOOTHBRUSH HEADS

- Regularly replace the toothbrush head every 3 months, or sooner if it shows signs of wear. Use only original replacement toothbrush heads. Replacement heads are available from you vendor both in online and brick&mortar stores.

STORAGE

- When not using the toothbrush for an extended period of time, place the washed toothbrush and brushing head in a dry, clean place that is out of reach of children. Keep the stored toothbrush and its parts away from extreme temperatures, direct sunlight and excessive humidity and do not store these in an overly dusty environment.

TECHNICAL SPECIFICATIONS

Toothbrush	
Battery.....	Li-Ion / 3.7 V / 800 mAh
Operating time when fully charged.....	up to 60 minutes
Noise level.....	<65 dB(A)
Protection class level against damaging entry of water.....	IPX7
Vibration speed.....	31,000 vibrations/minute

The declared noise emission level of this appliance is lower than 65 dB, which represents a level A of acoustic power with respect to a reference acoustic power of 1 pW.

Explanation of technical terminology

Protection class level against damaging entry of water:

IPX7 – The appliance is protected against damaging entry of water when submerged at a depth of 1 metre for 30 minutes.

Changes to text and technical parameters are reserved.

INSTRUCTIONS AND INFORMATION REGARDING THE DISPOSAL OF USED PACKAGING MATERIALS

Dispose of used packaging material at a site designated for waste in your municipality.

DISPOSAL OF USED BATTERIES

Prior to handing over the appliance at a specialised collection facility, it is necessary to ensure that the built-in battery is removed. Battery removal will be performed at the authorised service centre. In the event that the product has been disassembled for the purpose of ecological disposal then it must not be reassembled.



This symbol indicates that the used battery does not belong in ordinary municipal waste. Hand over the used battery to designated collection points for proper disposal. Correct disposal of the battery will help prevent negative impacts on the environment and human health.

Disposal in other countries outside the European Union. This symbol is valid in the European Union. If you wish to dispose of this product, request the necessary information about the correct disposal method from the local council or from your retailer.

INSTRUCTIONS AND INFORMATION REGARDING THE DISPOSAL OF USED PACKAGING MATERIALS

Dispose of used packaging material at a site designated for waste in your municipality.

DISPOSAL OF USED ELECTRICAL AND ELECTRONIC EQUIPMENT



This symbol on products or original documents means that used electric or electronic products must not be added to ordinary municipal waste. For proper disposal, renewal and recycling, hand these appliances over to determined collection points. Alternatively, in some European Union states or other European countries you may return your products to the local retailer when buying an equivalent new product. Correct disposal of this product helps save

valuable natural resources and prevents potential negative effects on the environment and human health, which could result from improper waste disposal. Ask your local authorities or collection facility for more details. In accordance with national regulations penalties may be imposed for the incorrect disposal of this type of waste.

For business entities in European Union states

If you want to dispose of electrical or electronic equipment, ask your retailer or supplier for the necessary information.

Disposal in other countries outside the European Union.

This symbol is valid in the European Union. If you wish to dispose of this product, request the necessary information about the correct disposal method from the local council or from your retailer.



This product meets all the basic requirements of EU directives related to it.

