

# SENCOR®

SFE 0773WH



## CORDLESS DESKTOP FAN

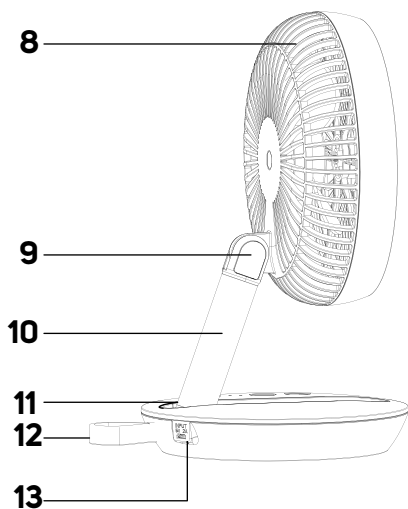
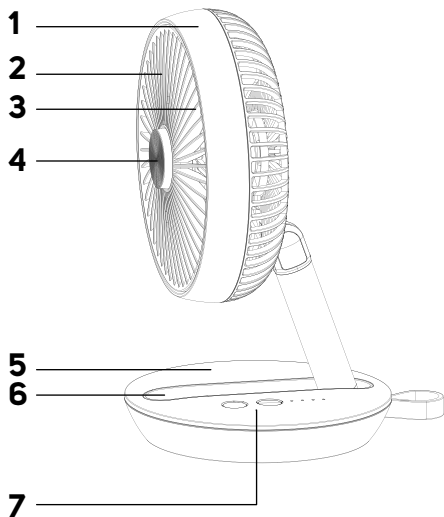
Translation of the original manual



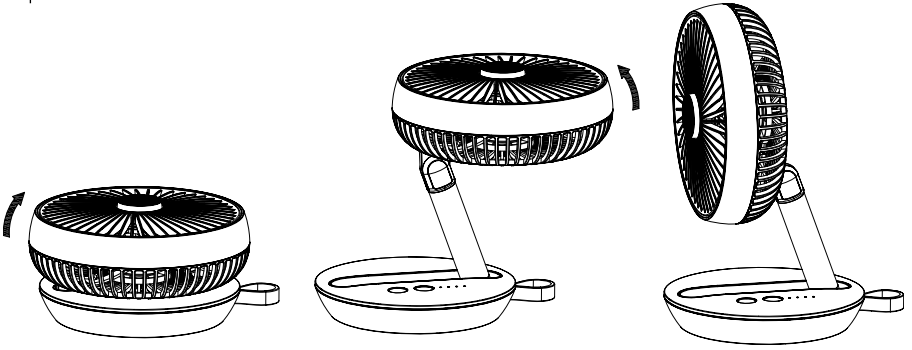
**SENCOR®**

**SFE 0773WH**



**A****B****1****2****3**

C



# EN Cordless desktop fan

## Important safety instructions

### **READ CAREFULLY AND STORE FOR FUTURE USE.**

- This appliance may be used by children 8 years of age and older and by persons with physical, sensory or mental impairments or by inexperienced persons, if they are properly supervised or have been informed about how to use the product in a safe manner and understand the potential dangers.
- Children must not play with the appliance. Cleaning and maintenance performed by the user must not be performed by unsupervised children.
- In the event that the USB power cable is damaged, it is necessary to replace it to prevent a dangerous situation from arising. It is forbidden to use the appliance if it has a damaged USB power cable.
- The fan is not intended to be mounted on external windows or walls.
- Disconnect the fan from the power source before removing the protective grille.

- Before connecting the appliance to a power source, make sure the voltage stated on its rating label corresponds to the voltage on the adapter (not included).
- The appliance is designed for use at home, in offices and similar types of areas. Do not use it in very dusty or humid rooms such as laundries or bathrooms, in areas where chemical or explosive substances are stored, in industrial surroundings or outdoors!
- Do not place the appliance in the vicinity of an open flame or appliances that are sources of heat.
- Prevent the fan and the USB power cable from touching a hot surface.
- To prevent injury by electrical shock, do not submerge the fan or the USB power cable in water or in any other liquid or rinse these under running water.
- Always turn off the appliance and disconnect it from the power source when leaving it without supervision, when not using it and before assembling, disassembling or cleaning it.
- Make sure the USB power cable does not hang over the edge of a table or that it is not touching a hot surface. Do not place the appliance on unstable surfaces. Only place the the appliance on a clean, even, dry and smooth surface.
- Do not subject children, older persons or persons that are bed-bound to the effects of flowing cold air for an extended period of time.
- Do not cover the appliance with any items while it is running.
- Avoid coming into contact with the rotating parts of the appliance. Never insert your fingers or other items through the protective grille when the appliance is plugged into a power socket. This applies particularly when the appliance is in operation.
- Do not use the appliance if it is not working correctly, if it has been damaged or has been submerged in water. To avoid a hazardous situation arising, do not repair the appliance yourself or modify it in any way. Have all repairs performed at an authorised service centre. By tampering with the appliance, you risk voiding your legal rights arising from unsatisfactory performance or quality warranty.
- Do not short circuit or damage the built-in battery.
- To extend the lifetime of the built-in battery, recharge it regularly even when not using the fan for an extended period of time. We recommend that you recharge the battery every 3 months.

# EN Cordless desktop fan

## User's manual

- Thank you for purchasing a SENCOR brand product and we hope that you will be happy with it.
- Prior to using this appliance, please read the user's manual thoroughly, even in cases, when one has already familiarised themselves with previous use of similar types of appliances. Only use the appliance in the manner described in this user's manual. Keep this user's manual in a safe place where it can be easily retrieved for future use.
- We recommend saving the original cardboard box, packaging material, purchase receipt and responsibility statement of the vendor or warranty card for at least the duration of the legal liability for unsatisfactory performance or quality. In the event of transportation, we recommend that you pack the appliance in the original box from the manufacturer.




### Note:


The fan can also be charged using standard appliances equipped with USB-A ports (e.g. computers).

- We recommend using a power adapter with an output voltage of 5 V/2 A. A voltage greater than 5 V could damage the fan.
- The LED indicators will gradually light up during the charging process. As soon as the fan is fully charged, all the LED indicators will be lit.
- The charging time is generally 4 hours (power adapter 5 V/2 A, with the fan turned off). A full charge provides an operating time of up to 4 hours (high speed), and up to 15 hours (lowest speed).

### Important: It is possible to charge the fan while it is running, however we recommend charging the fan when it is turned off.

- In the event that the charge level of the fan is too low, the lit LED indicators will flash 5 times for a few moments (depending on the set speed) and then the fan will turn off. If despite this you press the  button, all the LED indicators will flash five times quickly together but the fan will not turn on. It is necessary to charge it first.

### Checking the battery charge level

- When the fan is turned off, long press the  button to check its battery charge level. The number of lit LED indicators shows the battery charge level.

Battery charge level	LED indicator 1	LED indicator 2	LED indicator 3	LED indicator 4
<25 %	Lit	Off	Off	Off
25 to 49 %	Lit	Lit	Off	Off
50 to 74 %	Lit	Lit	Lit	Off
75 to 100 %	Lit	Lit	Lit	Lit

### DESCRIPTION OF THE FAN

- |  |  |
|--|--|
| <b>A1</b> Front cover                              | <b>A8</b> Rear protective grille         |
| <b>A2</b> Front protective grille                  | <b>A9</b> Fan head joint                 |
| <b>A3</b> Fan blades                               | <b>A10</b> Stand                         |
| <b>A4</b> Front protective grille rotation control | <b>A11</b> Fan stand joint               |
| <b>A5</b> Base unit                                | <b>A12</b> Handle                        |
| <b>A6</b> Stand storage compartment                | <b>A13</b> USB-C cable connection socket |
| <b>A7</b> Control panel                            | <b>A14</b> USB-C cable                   |

### DESCRIPTION OF THE CONTROL PANEL

- |  |   |
|--|---|
| <b>B1</b> LED indicators   | <b>B3</b> Button  Fan on/off |
| <b>B2</b> Button  Fan speed setting |   |

### BEFORE FIRST USE

- Take the fan out of the package and remove all packaging material and advertising labels from it. Check that the fan is not damaged.

### Putting it into the operating position

- The fan is supplied completely assembled, however, it is necessary to put it into the operating position.
  1. Use one hand to grasp the fan by the front grille and use the other hand to hold down the base unit. Carefully pull the fan out upwards until the stand straightens out – see figure **C1**.
  2. Use one hand to hold down the base unit and with the other hand grasp the fan by the front grille and turn the fan head from the horizontal to the vertical position – see figure **C2**.
  3. Now the fan is in the operating position – see figure **C3**.



### Note:

The fan can also be used when folded down. Thanks to the fan head joint, it is possible to set the fan in the optimal position.

### Fan location

- Place the fan on a horizontal, stable, dry and smooth surface. Ensure that there is sufficient free space around it.

### CHARGING

- For charging, always use the supplied USB-C cable and suitable power adapter (not included).
- Insert the USB-C plug of the power cable into the slot in the rear part of the fan and insert the USB-A plug of the power cable into the slot of a power adapter. Insert the power plug into a properly grounded power socket. The fan will automatically start charging.


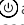


### Note:


The fan is equipped with a power saving function, and therefore, the LED indicators will turn off after 60 seconds from the time that any button is pressed. Pressing any button will turn the buttons on again.

### USING THE FAN

#### Turning on/off

1. Press button  to turn on the fan. It will start at the lowest speed.
2. Press button  again, to turn off the fan.
3. If the fan is connected to a power source, it is necessary to disconnect it from the power source in order to turn it off completely.

#### Speed setting

- Repeatedly press button  and select the fan speed from the lowest (one LED indicator is lit) to the highest (all the LED indicators are lit). Each time the button is pressed, the corresponding number of LED indicators will be lit.

#### Setting front protective grille rotation

- The control knob in the middle of the protective grille serves to set the rotation of the front protective grille. Turning it anticlockwise will release it and the front protective grille will start to turn. As you release it more, the rotation speed of the front grille speeds up.
- Conversely, turning the control knob clockwise tightens it and the rotation speed slows down.
- If you need the front grille to stop rotating, turn the control knob clockwise until you feel resistance and the front grille will stop.

**Warning:**

Do not excessively loosen the control knob (even despite resistance to turning), otherwise there is a risk of damaging the fan.

**Setting the angle of the fan head**

- The fan head can be adjusted to the required optimal angle. Grasp the fan head with both hands and carefully tilt it up or down to set the optimal angle.

**CLEANING AND MAINTENANCE**

- Before cleaning it, make sure that the fan is turned off and disconnected from the power source.
- For cleaning, do not use cleaning products with an abrasive effect, solvents, etc. that could damage the appliance.

**Warning:**

To prevent the risk of injury by electrical shock, do not submerge the fan or the USB charging cable in water or any other liquid.

- To clean the outer surface of the fan, use a clean, lightly dampened cloth. Then wipe everything so that it is thoroughly dry. Make sure that when cleaning, no water leaks into the appliance.
- The fan blades may also be cleaned using a vacuum cleaner with a brush nozzle fitted. First it is necessary to remove the front protective grille by removing the screws located on the bottom rear edge of the fan. Then carefully rotate the front grille and remove it.
- If the fan blades are excessively soiled, you can wipe them with a soft sponge soaked in warm water with a small amount of neutral cleaning agent. Wipe dry using a clean wiping cloth.
- Put the front grille back on to the fan head and rotate it so that the marks align. Then secure this in place using screws.

**LONG TERM STORAGE**

- If you will not be using the fan for a longer period of time, store it in a clean, dry location that is out of reach of children and pets.
- We recommend recharging the fan every 3 months in order to extend its lifespan.

**TECHNICAL SPECIFICATIONS****Fan**

Rated voltage.....	5 V
Rated power.....	5 W
Noise level.....	≤ 46,5 dB (highest speed)
	≤ 43 dB (medium speed)
	≤ 40 dB (low speed)
	≤ 36 dB (lowest speed)
Fan basket diameter.....	18 cm
Fan blade diameter.....	144 mm
Maximum air flow of the fan.....	5,47 m <sup>3</sup> /min
Operation value.....	1,0 (m <sup>3</sup> /min)/W
Maximum air flow speed.....	4 m/s
Contact for further information.....	FAST ČR, a.s., U Sanitasu 1621, 251 01 Říčany, Czechia
Dimensions (folded down).....	Ø 18,7 × 10,5 cm
Dimensions (folded up).....	Ø 18,7 × 27,9 cm
Weight.....	0,66 kg
Length of USB-C cable.....	150 cm

**Built-in battery**

Battery type.....	ICR 18650
Capacity.....	4 000 mAh (2 × 2 000 mAh)
Time for full charge.....	approx. 4 hours (using a 5 V/2 A power adapter)

The declared noise emission level for fan model SFE 0773WH is ≤ 46,5 dB(A) (highest speed), which represents a level A of acoustic power with respect to a reference acoustic power of 1 pW.

We reserve the right to change text and technical specifications.

**INSTRUCTIONS AND INFORMATION REGARDING THE DISPOSAL OF USED PACKAGING MATERIALS**

Dispose of used packaging material at a site designated for waste in your municipality.

**DISPOSAL OF USED ELECTRICAL AND ELECTRONIC EQUIPMENT**

This symbol on products or original documents means that used electric or electronic products must not be added to ordinary municipal waste. For proper disposal, renewal and recycling, hand these appliances over to determined collection points. Alternatively, in some European Union states or other European countries you may return your products to the local retailer when buying an equivalent new product. Correct disposal of this product helps save valuable natural resources and prevents potential negative effects on the environment and human health, which could result from improper waste disposal. Ask your local authorities or collection facility for more details. In accordance with national regulations penalties may be imposed for the incorrect disposal of this type of waste.

**For business entities in European Union states**

If you want to dispose of electrical or electronic equipment, ask your retailer or supplier for the necessary information.

**Disposal in other countries outside the European Union.**

This symbol is valid in the European Union. If you wish to dispose of this product, request the necessary information about the correct disposal method from the local council or from your retailer.



This product meets all the basic requirements of EU directives related to it.



