

# SENCOR®

SRV 9120BK  
SRV 9185BK



ROBOTIC VACUUM CLEANER  
Translation of the original manual

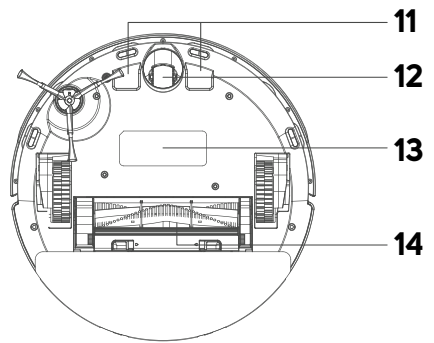
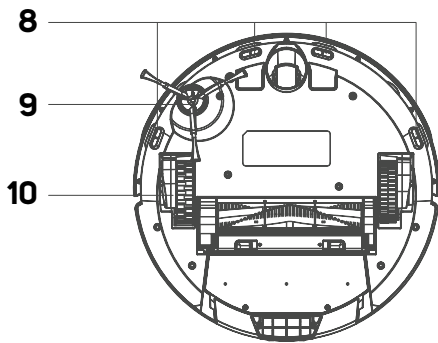
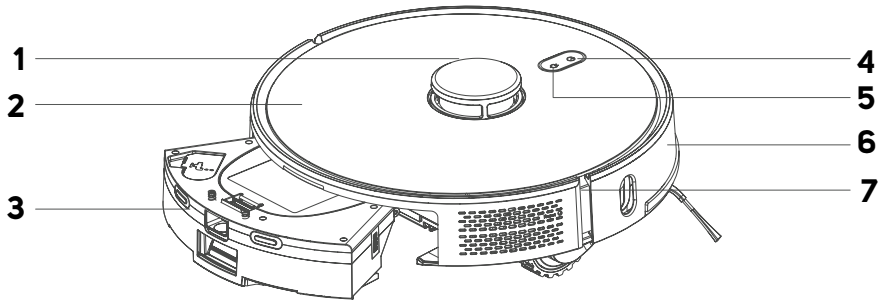


**SENCOR®**

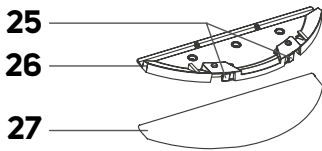
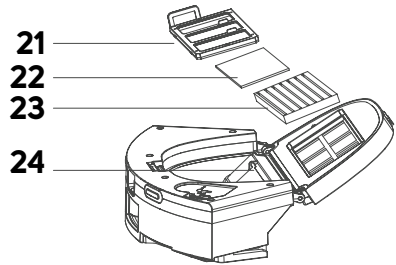
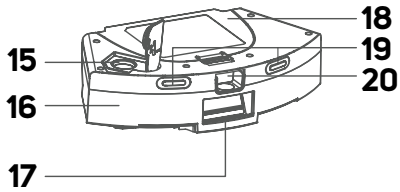
**SRV 9120BK  
SRV 9185BK**



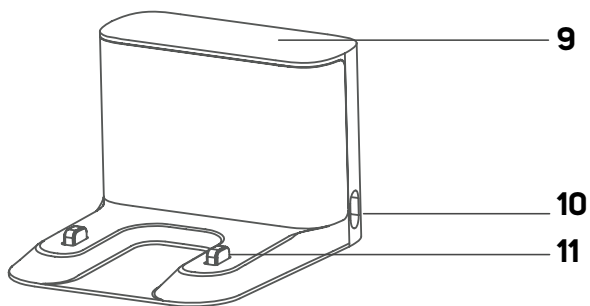
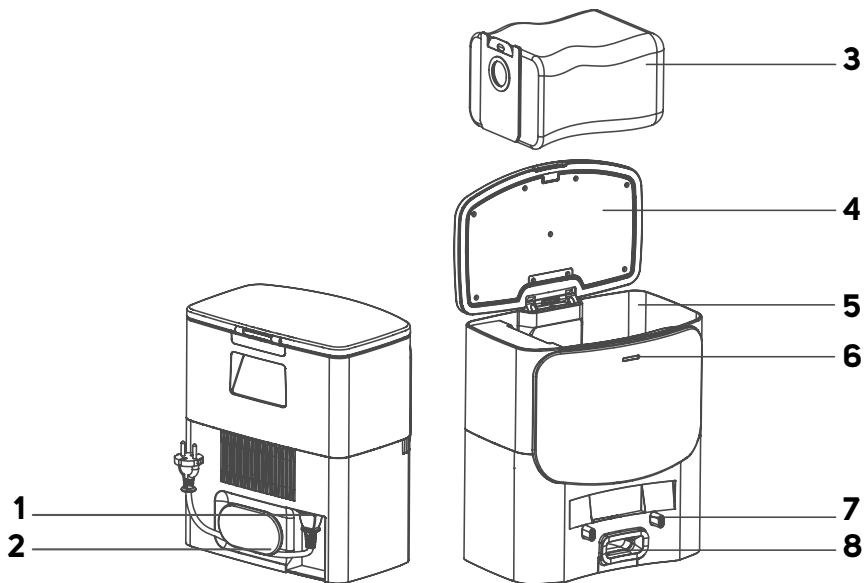
**A**



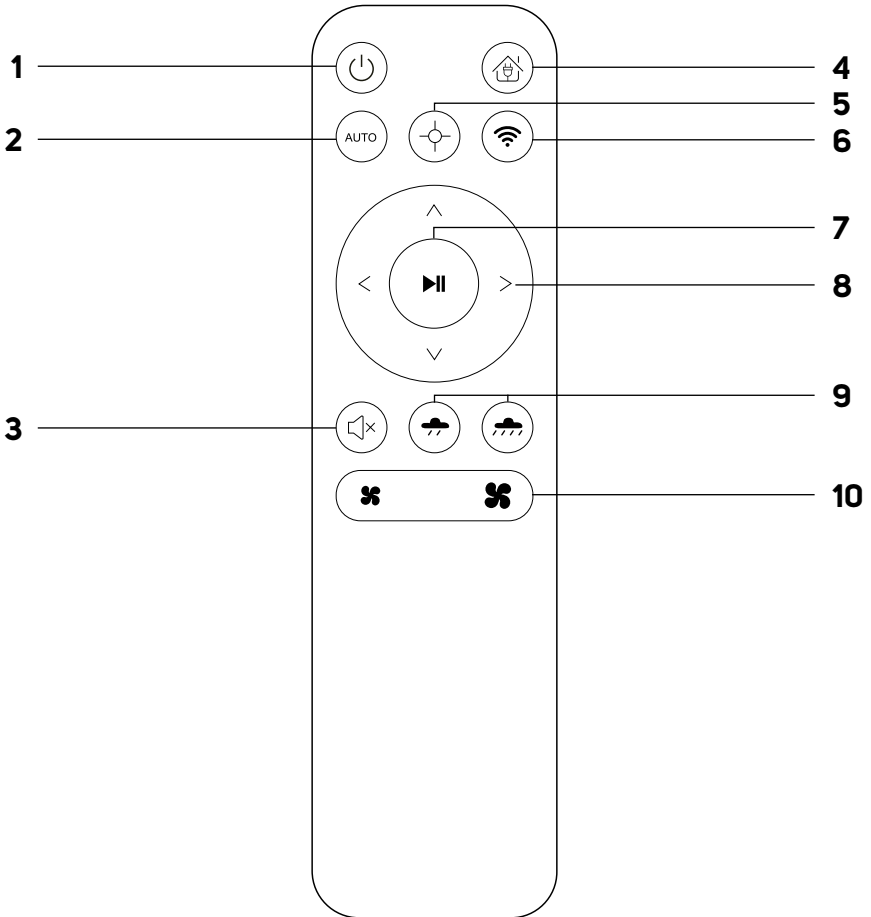
**A**

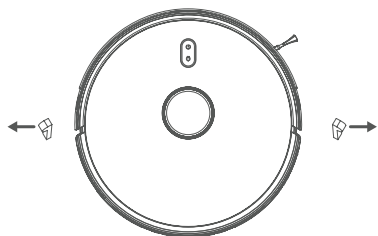
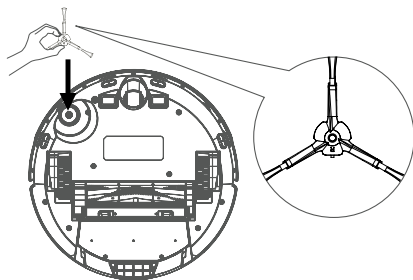
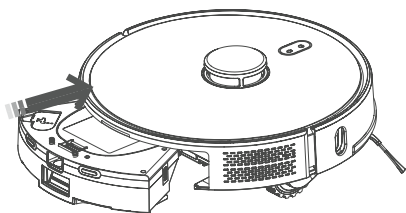
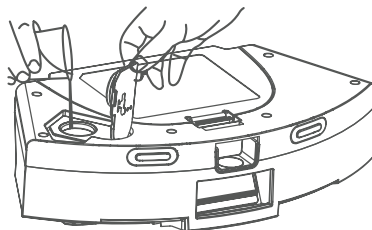


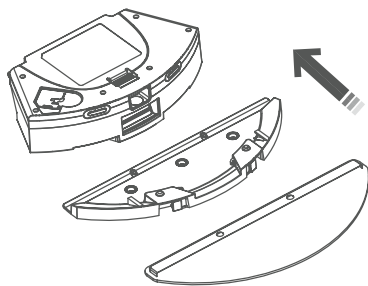
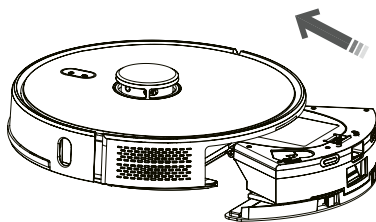
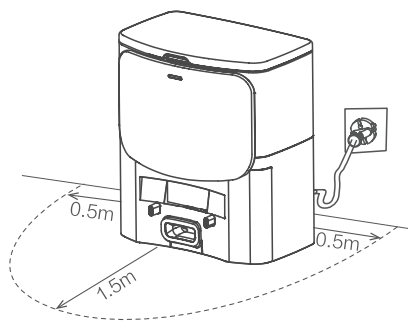
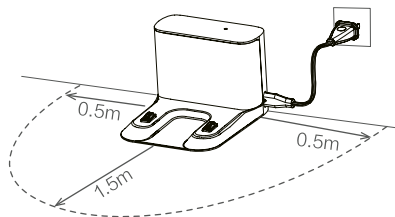
**B**



**C**

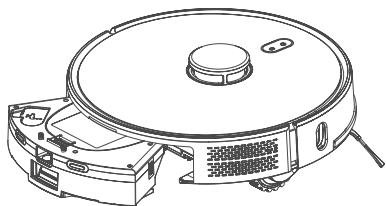


**D1****D2****E1****E2**

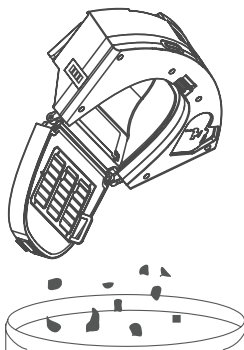
**E1****E2****F1****F2**



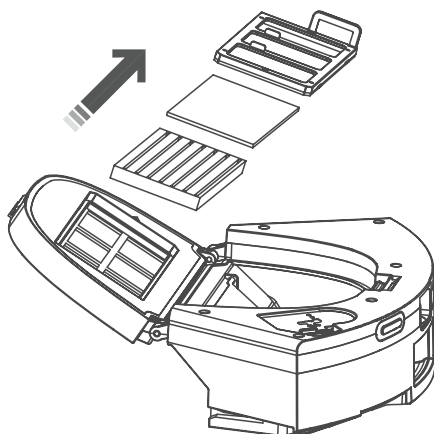
**G1**



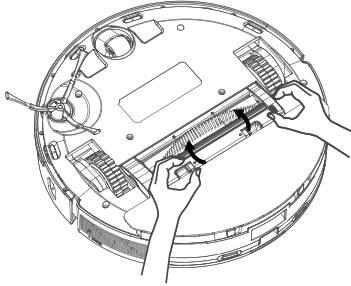
**G2**



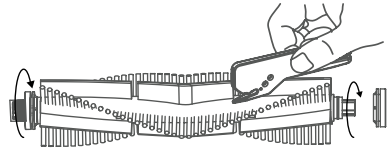
**G3**



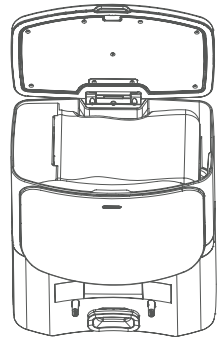
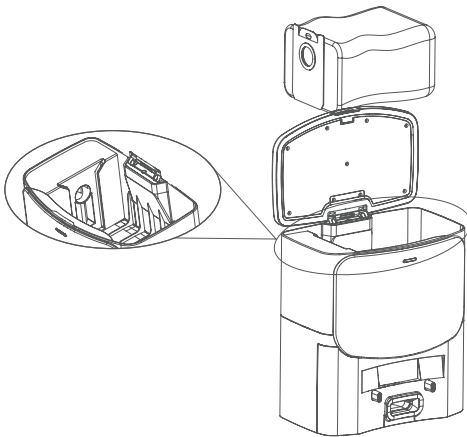
H1



H2



I



# EN Robotic Vacuum Cleaner

## Important Safety Instructions

### **READ CAREFULLY AND STORE FOR FUTURE USE.**

- This appliance may be used by children 8 years of age and older and by persons with physical, sensory or mental impairments or by inexperienced persons, if they are properly supervised or have been informed about how to use of the product in a safe manner and understand the potential dangers.
- Children must not play with the appliance. Cleaning and maintenance performed by the user must not be performed by unsupervised children.
- If the power cord of the collection station or charging station is damaged, have it replaced in a professional service centre in order to prevent a dangerous situation. It is forbidden to use the appliance with a damaged supply cable, collection station or charging station.
- Prior to cleaning or maintenance, always disconnect the appliance from the power socket and turn it off using the power switch.
- The appliance must only be used with the collection container (model SRV 9185BK) or with the charging station (SRV 9120BK) supplied with the appliance.



## **WARNING:**

Do not use the collection container or charging station to charge batteries or appliances that are not designed for this purpose.

- Connect the power cord only to a power socket with a protective contact.

### **Electrical Safety**

- Before connecting the power cord to a power socket, check that the technical details on the rating label match the electrical voltage in the socket.
- Connect the power cord only to a properly grounded socket. Do not use an extension cord.
- Do not disconnect the power cord from the socket by pulling on the power cord. This could damage the power cord or the socket. Disconnect the power cord from the power socket by pulling the plug.
- Do not place the power cord over sharp objects. Make sure that the cord does not hang over the edge of the table or touch a heated or hot surface.
- Keep the power cord dry.
- Do not connect or disconnect the power cord to or from the power socket with wet hands.
- Do not uncover the electronic parts of the robotic vacuum cleaner or its battery. They do not contain any components repairable by the user. Have the appliance serviced by qualified persons.
- To avoid any injury by electrical shock, do not spray water or immerse the robotic vacuum cleaner, collection station / charging station and power cord in water or other liquids.
- Do not use the robotic vacuum cleaner when it is not working correctly, if it has been damaged or has been submerged in water.
- To avoid the danger of injury by electrical shock, do not repair the robotic vacuum cleaner yourself or make any adjustments to it. Have all repairs or adjustments performed at an authorised service centre. Tampering with the robotic vacuum cleaner during the warranty period may void the warranty.
- Prior to cleaning or maintenance, always disconnect the robotic vacuum cleaner from the power socket and turn it off using the power switch.

### **Safety in Use**

- This robotic vacuum cleaner is designed for use in households, offices and similar types of areas. Do not use it in industrial surroundings or outdoors.
- The robotic vacuum cleaner is not intended for vacuuming water and, therefore, must not be used in damp or wet areas, for example in laundries, bathrooms or around swimming pools. If it were to come into contact with water, the internal electronics of the vacuum cleaner would be destroyed.
- Do not use the robotic vacuum cleaner to vacuum the following items:
  - - smouldering cigarettes, burning or flammable items, matches or ash;
  - - water and other liquids;
  - - sharp items, e.g. splinters, needles, pins, etc.;
  - - flour, wall plaster and other building materials;
  - - larger pieces of paper or plastic bags, which can easily block the suction opening.
- Do not expose the robotic vacuum cleaner to direct sunlight and do not place it near an open fire or appliances that are a source of heat.
- Do not use the robotic vacuum cleaner on narrow raised surfaces such as tables, wardrobes, etc. If the vacuum cleaner does not have sufficient space for manoeuvring, it may fall and be damaged.
- Only use the robotic vacuum cleaner with original accessories from the manufacturer.
- Ensure that the robotic vacuum cleaner has a dust filter correctly installed in the dust container before use.
- Before putting the robotic vacuum cleaner into operation, check that the entry door into your apartment or house is closed. From the floor surfaces remove clothing, paper, toys, power or extension cords and other items that the vacuum cleaner could suck in or catch. Lift curtains and drapes that reach to the floor so that they do not get caught in the vacuum cleaner.
- Do not place any items on to the robotic vacuum cleaner and do not step or sit on it.
- If the robotic vacuum cleaner is running, watch out for children and household pets.
- When the robotic vacuum cleaner is running, ensure that the air outlet openings are not covered and that the suction opening is not blocked. Otherwise, the robotic vacuum cleaner may be damaged.
- Follow the cleaning and maintenance instructions provided in this user's manual.

### **Laser**

- The laser sensor meets the laser safety class according to standard EN 60825-1.
- When using, handling or performing maintenance tasks on the robotic vacuum cleaner with a laser sensor, always adhere to the following instructions:
  - Prior to any handling, turn off the robotic vacuum cleaner using the power switch.
  - Do not point the laser beam at people.

- Do not look into the direct or reflected beam of the laser.
- Modifications or repairs of the laser sensor that are not performed by an authorised service centre are forbidden.



**Warning:**

Not following the instructions contained in this user's manual may result in dangerous irradiation!


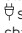
# Robotic Vacuum Cleaner

## User Manual

- Thank you for purchasing our SENCOR product; we hope you will be satisfied with it.
- Before using this appliance, please familiarise yourself with the user manual, even if you are already familiar with using similar types of appliances. Use the appliance only as described in this user manual. Keep the manual for future reference.
- For the duration of the legal rights regarding faulty performance or warranty for quality, we recommend keeping the original packaging, packaging materials, receipt, and proof of the seller's liability or warranty certificate. When transporting the appliance, we recommend packaging it again in the original box provided by the manufacturer.

- Mop sleeve holder
- Mop sleeve (3 pcs)
- HEPA filter (2 pcs: 1 pc installed on the vacuum cleaner; 1 pc spare HEPA filter)
- Side rotary brush (2 pcs: 1 pc installed on the vacuum cleaner; 1 pc spare side rotary brush)
- Dust bag (3 pcs)
- Cleaning brush
- AAA batteries (2 pcs)

### DESCRIPTION OF THE ROBOTIC VACUUM CLEANER

<b>A1</b> Laser model	<b>A13</b> Battery (located under cover)
<b>A2</b> Robotic vacuum cleaner top cover	<b>A14</b> Rotary brush
<b>A3</b> Combination 2-in-1 dust container with water tank	<b>A15</b> Water tank opening cover
<b>A4</b>  button (turning on and turning off / starting automatic cleaning)	<b>A16</b> Water tank
<b>A5</b>  send to collection station / charging station button	<b>A17</b> Dust container outlet
<b>A6</b> Bumper bar	<b>A18</b> Dust container lid
<b>A7</b> Reset button	<b>A19</b> Charging contacts
<b>A8</b> Anti-collision sensors	<b>A20</b> Dust container release button 2-in-1
<b>A9</b> Side rotary brushes	<b>A21</b> Coarse filter
<b>A10</b> Travel wheels	<b>A22</b> Foam filter
<b>A11</b> Charging contacts	<b>A23</b> HEPA filter
<b>A12</b> Front swivel wheel	<b>A24</b> Dust container
	<b>A25</b> Holder mount/release buttons
	<b>A26</b> Mop sleeve holder
	<b>A27</b> Mop sleeve
	<b>A28</b> Cleaning brush






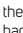


### DESCRIPTION OF THE COLLECTION STATION

<b>B1</b> Power cord	<b>B5</b> Dust bag installation compartment
<b>B2</b> Power cord holder	<b>B6</b> Indicator light
<b>B3</b> Dust bag	<b>B7</b> Charging contacts
<b>B4</b> Lid of the collection station	<b>B8</b> Suction hole

### DESCRIPTION OF THE CHARGING STATION

<b>B9</b> Charging indicator	<b>B10</b> Power adapter connection socket
	<b>B11</b> Charging contacts

### DESCRIPTION OF THE REMOTE CONTROL

<b>C1</b>  button to turn the robotic vacuum cleaner on/off	<b>C6</b>  selected area
<b>C2</b>  button to start automatic cleaning	<b>C7</b>  Wi-Fi reset button
<b>C3</b>  button to turn off voice alerts	<b>C8</b>  Directional buttons to move the vacuum cleaner forward/backward/left/right
<b>C4</b>  button to return to the collection station / charging station	<b>C9</b> Buttons for adjusting the intensity of water output when mopping
<b>C5</b>  button to start cleaning the	<b>C10</b> Suction power setting buttons

### SRV 9185BK PACKAGE CONTENTS

- Robotic Vacuum Cleaner
- Collection Station
- Remote control

### SRV 9120BK PACKAGE CONTENTS

- Robotic Vacuum Cleaner
- Charging station
- Remote control
- Mop sleeve holder
- Mop sleeve (3 pcs)
- HEPA filter (2 pcs: 1 pc installed on the vacuum cleaner; 1 pc spare HEPA filter)
- Side rotary brush (2 pcs: 1 pc installed on the vacuum cleaner; 1 pc spare side rotary brush)
- Cleaning brush



#### Note:

The SRV 9120BK can be purchased together with the collection station. The model name of the collection station is SRX 0030. Please contact our dealer.

### PURPOSE OF USE AND FEATURES OF THE ROBOTIC VACUUM CLEANER

- The robotic vacuum cleaner is intended for cleaning various types of hard floors such as wooden or laminate floating floors, tiles, vinyl, etc. and carpets with a low pile height. While vacuuming, it effectively combines various routes to optimally clean the entire floor area.
- The main rotary brush effectively removes hair, animal fur, etc. The side rotary brush brushes dirt out of hard-to-reach places along walls and furniture and out of corners. The motorised rubber wheels protect sensitive floors against scratching and can travel over threshold strips up to a height of 1.6 cm and ride on to a 2 cm high carpet.
- The suspended bumper enables the vacuum cleaner to dampen the approach to an obstacle and to efficiently clean around it. The infrared sensors in the front bumper prevent the robotic vacuum cleaner from colliding with obstacles. Safe operation in rooms with stairs is made possible by the bottom anti-stair-fall sensors.
- The vacuum cleaner is equipped with GYRO MAPPING function (orientation in space), which can identify the space geometry of a room in which it is cleaning, thereby the vacuum cleaner is able to better clean the floor. The vacuum cleaner is also equipped with laser navigation by means of which it maps out each room and then starts to clean it systematically. Both functions are built-in and cannot be affected in any way.

### ROBOTIC VACUUM CLEANER CLEANING MODES

#### Automatic Cleaning Mode

The robotic vacuum cleaner dynamically plans the cleaning path according to the map created by scanning and gradually completes the cleaning of different zones. In each zone, the robotic vacuum cleaner first starts cleaning along the edges and then cleans the rest in a zigzag pattern. After finishing the cleaning, the robotic vacuum cleaner will automatically return to the collection station / charging station.

**Note:**

Prior to starting the robotic vacuum cleaner, always check that it is charged and that all obstacles, foreign objects, cables, etc. have been removed from the area.

**Note:**

You can select additional cleaning modes of the robotic vacuum cleaner directly in the app or on the remote control.

outwards – see figure E4. Gently push down on the dust container from behind until you hear a click. This indicates that the dust container is correctly secured in the vacuum cleaner.

**Warning:**

Do not use the robotic vacuum cleaner to vacuum and wipe door mats, runners, etc. Before vacuuming carpets, it is necessary to remove the holder with the mop sleeve.

**PREPARING THE ROBOTIC VACUUM CLEANER**

- Take the robotic vacuum cleaner and all its accessories out of the packaging. Check that you have taken out all the parts.
- Check the robotic vacuum cleaner and its accessories for damage.
- Remove protective foils and advertising labels from the robotic vacuum cleaner and all accessories, including protective tapes that are located on both sides of the robotic vacuum cleaner – see figure D1.

**Installing the Side Rotary Brush**

- The side rotary brush is intended for smooth floor surfaces and ensures effective cleaning in corners, along walls and around furniture.
- Turn the vacuum cleaner upside down. Press the rotary brush precisely and forcefully against the pin that is intended for it – see figure D2. Turn the vacuum cleaner back to the operating position.
- When using the vacuum cleaner to clean rooms with carpets, remove the rotary brushes. To remove it, proceed in the reverse sequence.

**COMBINATION 2-IN-1 DUST CONTAINER WITH WATER TANK**

The combination dust container with water tank enables the floor to be vacuumed and wiped at the same time. The robotic vacuum cleaner vacuums dirt and dust from the floor and then wipes it. Depending on the intended use of the robotic vacuum cleaner, it is necessary to pour water into the water tank and to attach the holder with the mop sleeve.

**Using the Robotic Vacuum Cleaner Only for Vacuuming**

1. When using the robotic vacuum cleaner only for vacuuming, before using it, ensure that the dust container is inserted in the vacuum cleaner and that it is empty.
2. In order to be able to remove the dust container, press the dust container release button and pull the dust container out of the vacuum cleaner – see figure E1.
3. Insert the dust container into the robotic vacuum cleaner so that the dust container lid is pointing upwards and the outlet is point outwards – see figure E1. Gently push down on the dust container from behind until you hear a click. This indicates that the dust container is correctly secured in the vacuum cleaner.

**Using the Robotic Vacuum Cleaner for Vacuuming and Wiping the Floor**

In order to use the robotic vacuum cleaner for vacuuming and wiping the floor at the same time, it is necessary to put water into the water tank and to attach the holder with the mop sleeve on to the bottom side of the container.

1. Remove the dust container from the robotic vacuum cleaner by pressing the dust container release button and pull the dust container out of the vacuum cleaner – see figure E1.
2. Release the water tank cover and pour water into the water tank through the opening – see figure E2. Close the cover tightly.

**Note:**

For wiping, we recommend using clean water. If you use a cleaning agent, it may foam up and thereby worsen the dripping of the water on to the sleeve, or potentially cause smudges on the floor after it dries.

1. Put the mop sleeve on to the holder – see figure E3. We recommend soaking and rinsing out the sleeve slightly before putting it on. This speeds up the soaking process and subsequent wiping of the floor.
2. Attach the holder to the container from below. Gently push down on the holder until you hear a click. This indicates that the holder with the mop sleeve is correctly secured.
3. Insert the dust container into the robotic vacuum cleaner so that the dust container lid is pointing upwards and the outlet is point

**LOCATION OF THE COLLECTION STATION / CHARGING STATION**

- The collection station / charging station is used to automatically recharge the battery and the vacuum cleaner must have good access to it.
- Place the collection station / charging station against a wall on a hard, horizontal and dry surface within reach of the power socket – see Figure F1 (collection station) or F2 (charging station). Ensure that there are no steps or obstacles within 0.5 m to the left and right and 1.5 m in front of the collection station / charging station that would prevent the vacuum cleaner from locating the collection station/ charging station and docking successfully.
- Connect the power cord connector to the socket of the collection station / charging station and plug the male plug into the power socket. Position the power cord so that it will not get tangled in the rotary brushes of the vacuum cleaner.
- If you will not be using the vacuum cleaner for a long time, disconnect the collection station / charging station from the power socket and store it in a dry, clean and cool place.

**CHARGING THE ROBOTIC VACUUM CLEANER**

- The vacuum cleaner can be charged in the collection station / charging station, which the vacuum cleaner automatically seeks out when it has finished cleaning.
- If the robotic vacuum cleaner is in the collection station, it will activate automatically and there is no need to turn it on.

**Charging the Vacuum Cleaner for the First Time**

- Before first use, it is necessary to fully charge the robotic vacuum cleaner. Allow the robotic vacuum cleaner to charge for up to 12 hours.
- Grasp the vacuum cleaner and manually place it into the collection station so that the charging contacts on the underside of the vacuum cleaner and the charging contacts on the dust collection station are connected. When the contacts are connected, the charging process will start.

**Automatic Charging**

- The robotic vacuum cleaner utilises the automatic charging function whenever it finishes cleaning and in cases, where during operation, it detects low power on the battery. Therefore, the robotic vacuum cleaner will start to actively seek out the collection station / charging station. It is thus important that it is always connected to a power source and is freely accessible for the vacuum cleaner so that it can dock in it.
- The robotic vacuum cleaner can be sent to be charged also by pressing the charging button directly on the vacuum cleaner, in the application or on the remote control. In such a case, the operation of the robotic vacuum cleaner will stop and it will seek out the collection station / charging station.
- After docking in the collection station / charging station, the charging cycle will commence. A complete charge takes approximately 5 to 6 hours. The actual charging time depends on the power level of the battery at the start of the charging process.
- Full charge ensures up to 140 minutes of operation (low suction power set; this time includes a reserve time for finding the station).
- In the event that the charging contacts are disconnected during the charging cycle, the vacuum cleaner will move away from the charging station and then re-dock itself to resume the charging process, unless it is prevented from doing so by an obstacle.
- In the event of a power outage, the charging cycle will be interrupted and will continue after the power supply is renewed.

- In the event that the maximum charging current is exceeded, the charging process will be automatically interrupted.
- In the event that the robotic vacuum cleaner is discharged completely, e.g. because the vacuum cleaner failed to seek out or dock in the collection station, it is necessary to put it there manually.



**Note:**  
Never combine flat and new batteries nor various types of batteries.

#### Turning the Robotic Vacuum Cleaner On/Off

- Press the button to turn the robotic vacuum cleaner on. If you need to turn off the robotic vacuum cleaner, press the button.

#### Starting Cleaning

1. **Automatic cleaning:** Press the button to start automatic cleaning.
2. **To clean a selected place:** Press the to start cleaning the selected area.
3. **Manual cleaning:** Use the direction buttons on the remote control to start manual cleaning and move the vacuum cleaner forward/back/left/right.

#### Pausing the Cleaning Process

- If the button is pressed during the operation of the robotic vacuum cleaner then the operation of the robotic vacuum cleaner will be paused. Pressing the button again will resume its operation.

#### End of Cleaning/Charging

- If you need to end the cleaning, press the button , the robotic vacuum cleaner will stop, end the cleaning process, seek out the collection station / charging station and dock in it.

#### Setting the Suction Power

- Set the desired suction power using the suction power setting buttons. The button reduces the suction power, the button increases the suction power.

#### Setting the Intensity of Water Dispensing During Mopping

- You can set the intensity of water dispensing during mopping using the buttons on the control. Use the button to decrease the intensity of water output, use the button to increase the intensity of water output.

#### Wi-Fi Reset

- Press the button to reset the Wi-Fi function.



**Note:**  
It is not possible to turn off the robotic vacuum cleaner during the charging process.

#### Starting Automatic Cleaning

- While the robotic vacuum cleaner is in stand-by mode, press the button and the robotic vacuum cleaner will start automatic cleaning.

#### Pausing the Cleaning Process

- If the button is pressed during the operation of the robotic vacuum cleaner then the operation of the robotic vacuum cleaner will be paused. Pressing the button again will resume its operation.

#### Sleep Mode

- The robotic vacuum cleaner will switch to sleep mode after 10 minutes of inactivity if it is outside the charging station. And the indicator lights will turn off. By pressing the button or restarting in the app, the robot vacuum cleaner switches to stand-by mode.



**Note:**  
The robotic vacuum cleaner will not switch to sleep mode while charging. If the robotic vacuum cleaner is in sleep mode for more than 12 hours, it will automatically turn off.

#### Charging

- Press the button briefly if you need to send the robotic vacuum cleaner for charging. This will end the currently running cleaning process and the vacuum cleaner will start seeking out the collection station, where it will dock.

#### Malfunction Reporting

- If the robotic vacuum cleaner encounters a malfunction during cleaning, the power indicator flashes quickly and an audible warning sounds. The robotic vacuum cleaner finishes the cleaning, but does not find the collection station / charging station. It must be manually inserted into the collection station / charging station.

### CONTROLLING THE VACUUM CLEANER USING THE REMOTE CONTROL

- Push down the latch of the cover on the rear side of the remote control to release it and remove the cover.
- Insert two type AAA (1.5 V) batteries into the remote control. When inserting the batteries ensure the correct polarity as shown inside the battery compartment. Put the cover back on and click it into place.
- In the event that the batteries are flat, replace them with new ones. Do not combine various types of batteries or new and old batteries.
- The signal range of the remote control is approximately 6 m.
- When replacing batteries, first remove the flat batteries and then insert the new ones.



**Note:**  
Make sure you have both location services and Bluetooth enabled in the phone settings for the app.

#### Adding the Robotic Vacuum Cleaner to the Device List via Bluetooth

You can add the robotic vacuum cleaner to the Sencor HOME app by pairing via Bluetooth.

1. Turn on the Bluetooth function on your mobile phone.
2. Turn on the robotic vacuum cleaner.
3. Open the app and on the app's home page, click the "+" icon.
4. The device itself will offer the "Do not add / Go to add" options.
5. Click on "Go to add" and the app will automatically guide you through the addition.




If you already have the application installed, add the robotic vacuum cleaner to your devices.



**Note:**

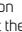
If the Bluetooth connection fails or is not possible, make sure there are no solid obstacles between your phone and the robotic vacuum cleaner and that the two devices are close together.

**Adding the Robotic Vacuum Cleaner to the Device List via a QR Code**

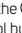
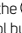
- The robotic vacuum cleaner can also be added to the Sencor HOME application using the QR code provided below. On the home screen of the application, click on the “+” icon and on the Add device screen, click on the [-] icon in the top right hand corner.
- After scanning the QR code, you will be prompted to select a Wi-Fi network. Select the network, enter your password and click “Next”.
- You will be prompted to reset the device. Hold down the  button for about 3 seconds. Control buttons will flash. This means that the robotic vacuum cleaner is ready for pairing. Instructions can also be found on the application screen.
- In the app, confirm that the backlight of both buttons is flashing and click “Next”.
- Click on “Connect”. Then in the Wi-Fi settings on your mobile device connect the Wi-Fi to the robotic vacuum cleaner. Then return to the application and wait until the pairing of the robotic vacuum cleaner is complete.
- In the device list on the main screen, click on the icon of the robotic vacuum cleaner to enter control interface.

QR code for adding the control panel of the robotic vacuum cleaner to the application Sencor HOME

**SRV 9120BK****SRV 9185BK****Manually Adding the Robotic Vacuum Cleaner to the Device List**

- On the main screen, click on “Add device” or “+” in the upper right corner and click on “Add device”.
- A screen with appliance categories and a list of appliances will appear.
- Click on “Robotic vacuum cleaners” and from the list, select the robotic vacuum cleaner model.
- On the next screen, you will be prompted to select a Wi-Fi network. Select the network, enter your password and click “Next”.
- You will be prompted to reset the device. Hold down the  button for about 3 seconds. Control buttons will flash. This means that the robotic vacuum cleaner is ready for pairing. Instructions can also be found on the application screen.
- In the app, confirm that the backlight of both buttons is flashing and click “Next”.
- Click on “Connect”. Then in the Wi-Fi settings on your mobile device connect the Wi-Fi to the robotic vacuum cleaner. Then return to the application and wait until the pairing of the robotic vacuum cleaner is complete.
- In the device list on the main screen, click on the icon of the robotic vacuum cleaner to enter control interface.

**Wi-Fi Reset**

- Press and hold the  button for 3 seconds, or press the  button on the remote control to reset the Wi-Fi function. Control buttons will flash.

**Note:**

We recommend that you turn off mobile data in your mobile phone settings when connecting to Wi-Fi.


**DUST AND DIRT COLLECTION STATION (SRV 9185BK only)**

- The collection station is equipped with a dust bag into which the robotic vacuum cleaner empties the contents of the dust container after the cleaning is completed, or if it detects that the dust container is full. In this case, the robot vacuum cleaner locates the collection station and drives to it so that the opening in the dust container is aligned with the suction opening at the bottom of the collection station. Once contact is made, both openings open and pressure sucks the contents of the container into the dust bag. The holes are then closed and the robotic vacuum cleaner will start charging or continue cleaning.
- To ensure proper operation of the collection station, make sure it is connected to power.

**Note:**

The collection station can be purchased for the SRV 9120BK model. The model number is SRX 0030.

**CLEANING AND MAINTENANCE**

- Before cleaning, always turn off the vacuum cleaner with the  button, place it outside the collection station / charging station and disconnect it from the power supply.
- Never use abrasive cleaners, thinners, etc. for cleaning.
- Neglecting cleaning and maintenance may negatively affect the working order of the vacuum cleaner and lead to its reduced performance.

**ROBOTIC VACUUM CLEANER****Emptying the Dust Container (model SRV 9185BK)**

- On the SRV 9185BK model, the container is automatically emptied into the dust collection container both after every use and also during the cleaning process when the vacuum cleaner detects the maximum amount of dirt and dust in the container. It is possible to set how frequently the dust container will be emptied out.

**Emptying the Dust Container (model SRV 9120BK)**

1. In order to be able to remove the dust container, press the dust container release button and pull the dust container out of the vacuum cleaner – see figure **G1**.
2. Take the dust container over a garbage bin and turn it upside down so that the lid of the dust container points downwards.
3. Press the dust container lid release button and carefully tilt open the lid. Dump the contents of the dust container into the garbage bin – see figure **G2**.
4. Close the lid and gently push on it until you hear a click. This indicates that the lid is properly secured in place.

**Cleaning the Dust Container**

1. In order to be able to remove the dust container, press the dust container release button and pull the dust container out of the vacuum cleaner – see figures **G1**.
2. Press the dust container lid lock and tilt open the dust container lid.
3. Press the coarse filter lock. Take the coarse filter, foam filter and the HEPA filter out of the lid – see figure **G3**.
4. Tap out the HEPA filter and the foam filter and remove the dirt and dust from them using a fine brush or soft wiping cloth. In the event of heavy soiling, you can vacuum them out using a different vacuum cleaner with an attached brush nozzle. Do not wash the HEPA filter in water. This may damage the lid. In the event that the HEPA filter is already heavily soiled or deformed, replace it with a new one. We recommend replacing the HEPA filter based on the frequency of use at least once every six months.
5. Rinse the coarse filter under running water and wipe dry with a clean wiping cloth.
6. Wipe the dust container out using a lightly dampened sponge and wipe dry using a clean wiping cloth. If necessary, you can pour a small amount of water into the dust container and wipe it out with a sponge. Then thoroughly wipe it dry using a clean wiping cloth.
7. Insert the HEPA filter, the foam filter and then the coarse filter into the area in the lid. Gently push down on the coarse filter until you

hear a click. This indicates that the coarse filter is properly secured in place.

8. Close the dust container lid. Gently push down on the lid until you hear a click. This indicates that the lid is properly closed.



**Warning:**

Prior to inserting the filter into the dust container and closing the lid, always ensure that all the parts are clean and completely dry. Otherwise, there is a risk of damaging the robotic vacuum cleaner.

**Cleaning the Water Tank and Mop Sleeve**

To prevent the formation of moulds and damaging microorganisms that may cause unpleasant odours and be damaging to health, it is necessary to clean the water tank, mop sleeve holder and the mop sleeve after every use.

1. Carefully release the mop sleeve holder and remove it from the bottom of the robotic vacuum cleaner.
2. Carefully remove the mop sleeve from the holder.
3. In order to be able to remove the dust container, press the dust container release button and pull the dust container out of the vacuum cleaner.
4. Take the dust container over a wash basin or sink and release the water tank cover. Turn the container upside down and allow the water remaining in the water tank to flow out. If necessary, gently shake the water tank to ensure that all the water has flowed out.
5. Leave the water tank cover open and allow the water tank to dry out in a dry and well ventilated location.
6. Wipe the mop sleeve holder using a lightly dampened sponge and wipe dry using a clean wiping cloth.
7. Hand wash the mop sleeve in lukewarm water with a small amount of fine washing powder, wring it out by hand and allow it to dry naturally. Do not wash the mop sleeve in a washing machine or dry it in a clothes dryer.

**Cleaning the Central Rotary Brush**

We recommend that you regularly clean the central rotary brush, at least once per week, to ensure the constant suction power of the robotic vacuum cleaner. Hair and fur that is wound on to the brush may reduce the output power output of the robotic vacuum cleaner and also its effectiveness.

1. Turn the robotic vacuum cleaner upside down.
2. Press the clip of the central rotary brush cover and take the cover off the vacuum cleaner and then take out the rotary brush – see figure **H1**.
3. Use a dry wiping cloth to clean out the area in which the rotary brush is housed. Check and clean out the suction hole. Dirt and dust that accumulates around the suction hole may reduce the suction power of the vacuum cleaner.
4. Remove any dirt and material (dust, wound on hair, animal fur, etc.) from the rotary brush – see picture **H2**.
5. Insert the rotary brush back into the vacuum cleaner and put on the cover. Gently push down on the cover until you hear a click. This indicates that the cover is properly secured in place.

**Cleaning the Side Rotary Brush**

1. Remove the side rotary brush by pulling it upwards.
2. Remove any dust and dirt from the location where the brushes were mounted.
3. Remove all dust and dirt from the brush. If necessary you may wash the brush under running water. If the bristles were deformed while the vacuum cleaner was running, dip them in warm water to allow them to return to their original shape. Allow the brush to dry before reattaching to the vacuum cleaner.
4. After cleaning, attach it back.

**Cleaning the Sensors**

- The sensors on the robotic vacuum cleaner are important for its proper control and safe operation. It is therefore important that you clean them regularly and keep them in good condition.
- Wipe the sensors using a soft dry wiping cloth or cotton bud.

**Cleaning the Outer Surface of the Robotic Vacuum Cleaner**

- Regularly wipe the surface of the vacuum cleaner using a soft dry wiping cloth.

- Clean the front swivel wheel, motorised wheels, suction hole, rotary brush and the bottom sensors at least once per week or more frequently.
- First remove any coarser dirt from the front swivel wheel and the motorised wheels. Then clean them around their entire perimeter using a lightly dampened cloth and wipe them dry. Do not forget to also clean the area around the wheels.

**Replacing the HEPA and Foam Filter**

1. Take out the dust container and open the dust container lid. Take out the coarse filter, old foam filter and old HEPA filter.
2. Insert a new HEPA filter, a new foam filter and then the coarse filter into the area in the lid. Gently push down on the coarse filter until you hear a click. This indicates that the coarse filter is properly secured in place.
3. Close the dust container lid. Gently push down on the lid until you hear a click. This indicates that the lid is properly closed.



**Note:**

The wear and tear status of the HEPA filter can be monitored in the mobile application.



**Note:**

The HEPA and foam filters are always replaced at the same time.

**Replacing the Side Brush**

The rotary brush wears out during use. After a certain time it is necessary to replace the used brush with new one. To order a new brush, please contact your vendor or an authorised service centre.

1. Take the old side rotary brush out of the vacuum cleaner by pulling it upwards.
2. Fit the new side rotary brush into the robotic vacuum cleaner.

**COLLECTION STATION**

**Cleaning of the Collection Station**

- Clean the outer surface of the collection station using a soft dry cloth.

**Replacing the Dust Bag**

If the dust bag is full, an indicator light will turn on. The dust bag needs to be replaced. When replacing it, proceed as follows:

1. Disconnect the station from the power supply.
2. Open the lid of the collection station.
3. Hold the bag holder and gently pull it up – see figure I. This will close the dust bag inlet and keep dust and dirt safely contained in the dust bag.
4. Dispose of the used dust bag in standard communal waste.
5. Place the new dust bag into the collection container. It is important that the inlet opening in the bag is aligned with the outlet opening in the inner space of the collection container.
6. Close the lid.

**Cleaning the Sensors**

- Sensors at the collection station are important for its safe operation. It is therefore important that you clean them regularly and keep them in good condition.
- Wipe the infrared sensors and charging contacts with a dry soft cloth or cotton swab.

**CLEANING THE CHARGING STATION**

**Cleaning the Charging Station**


- Clean the outer surface of the collection station using a soft dry cloth.

**Cleaning the Sensors**

- The sensors on the charging station are important for its operation. It is therefore important that you clean them regularly and keep them in good condition.
- Wipe the infrared sensors and charging contacts with a dry soft cloth or cotton swab.

## REPLACING THE BATTERY

In the event that you need to replace the battery, proceed as follows:

1. Make sure that the vacuum cleaner is turned off using the  button. Turn the vacuum cleaner upside down.
2. Using a screwdriver, loosen the screws of the battery cover, remove it and carefully remove the battery.
3. Connect the new battery and insert it into the internal area. The battery can only be connected in one way. The connector is coded and cannot be turned around.
4. Put on the bottom cover and secure it in place using the screws. Turn the vacuum cleaner back to the operating position.
5. Place the vacuum cleaner into the collection station and allow the battery to charge to full capacity.



### Note:

The robotic vacuum cleaner is supplied with the battery already inserted.

## LONG-TERM STORAGE

- When not using the vacuum cleaner for an extended period of time, do the following:
- Clean the vacuum cleaner as described in chapter CLEANING AND MAINTENANCE.
- Disconnect the collection station from the power socket. Store the vacuum cleaner with all its accessories in a dry, clean and cool place.
- It is recommended to charge the vacuum cleaner every 3 months as this will extend the lifetime of the built-in battery.
- Remove the battery from the remote control.

## TROUBLESHOOTING

Problem	Cause	Solution
The vacuum cleaner is not charging itself.	The charging contacts are not touching.	Check that the contacts are touching when inserting the vacuum cleaner into the charging station.
	The charging station is disconnected from the power source.	Insert the power adapter into a power socket and keep the charging station permanently connected.
The vacuum cleaner is stuck in a single location.	The vacuum cleaner has become entangled in wires/cables lying on the ground, in curtains or other foreign objects on the carpet.	The vacuum cleaner will always attempt to free itself on its own, however, we recommend to remove it by hand from the stuck location.
The vacuum cleaner returned to the charging station without completing the cleaning process.	The vacuum cleaner detected a low battery charge level and automatically returned to the charging station to recharge.	This is a normal occurrence. Allow the vacuum cleaner to recharge.
The vacuum cleaner does not perform the cleaning process automatically as scheduled.	The vacuum cleaner is not switched on and cannot perform the cleaning process as scheduled.	Turn on the vacuum cleaner.
	The vacuum cleaner battery is almost flat.	Allow the vacuum cleaner to recharge.
	The vacuum cleaner has become stuck or is blocked by a foreign object.	Turn off the vacuum cleaner, empty out the dust container. Turn the vacuum cleaner upside down and remove dust and dirt from the wheels and brushes.
The remote control doesn't work. (Recommended distance is 5 m.)	Batteries are flat.	Replace the batteries in the remote control.
	The vacuum cleaner battery is almost flat.	Allow the vacuum cleaner to recharge.
	The remote signal receiver on the vacuum cleaner or the signal transmitter on the remote control is blocked or soiled.	Wipe the signal receiver and transmitter using a clean wiping cloth.
	The remote control signal is being interfered with by another device in its vicinity.	Do not use the remote control in the vicinity of devices with an infrared signal.

Problem	Cause	Solution
Whilst the vacuum cleaner is running, vacuuming locations are being left out, its travel path is chaotic, it is travelling in the opposite direction or seems to vacuum the same places over and over again.	The floor is too smooth, the central wheel slides on the floor, the vacuum cleaner is on a carpet with too high a pile, or the vacuum cleaner travels over low obstacles, thresholds and strips, and this affects its decision making process regarding the cleaning area in the entire home.	We recommend closing the doors of individual rooms and a to allow them to be cleaned individually. The vacuum cleaner is equipped with a function for the identification of a single room. It will return to its starting location.
	The floor is washed and polished or too smooth, which reduces friction between the wheels and the floor.	We recommend cleaning the floor after it has been waxed.
	Cables, foreign objects on the floor affect the operation of the vacuum cleaner.	Prior to starting the vacuum cleaner, it is important to remove from the floor any cables, slippers, toys and other foreign objects to reduce the number of obstacles, which the vacuum cleaner will need to drive around.
Dirt remains on the floor after cleaning is finished.	The central rotary brush is blocked.	Clean out the central rotary brush and move the robotic vacuum cleaner into an open area.
	The side rotary brush is blocked.	Clean out the side rotary brush and move the robotic vacuum cleaner into an open area.
	The combination 2-in-1 dust container is not correctly inserted in the robotic vacuum cleaner.	Insert the combination 2-in-1 dust container into the robotic vacuum cleaner.
	The dust container is full, the HEPA filter is clogged or the central rotary brush is dirty.	Empty out the dust container, clean the HEPA filter and the central rotary brush.
It is not possible to turn on the vacuum cleaner.	The battery is flat.	Allow the battery to fully recharge.
The vacuum cleaner has problems with movement on the floor.	Front swivel wheel is blocked.	Clean out the front swivel wheel and move the robotic vacuum cleaner into an open area.
The vacuum cleaner will seek out the charging station but does not dock in it.	The charging station is blocked or is too far away, it is not connected to a power source; foreign objects are caught on the mop sleeve holder or the mop sleeve is rolled up.	Place the charging station into an open area and place the robotic vacuum cleaner into its vicinity and turn it on; insert the plug of the power adapter into a power socket; clean out the mop sleeve holder and straighten out the mop sleeve.
The vacuum cleaner is not behaving normally.	Internal fault.	Turn off the robotic vacuum cleaner and then turn it on again and start it. If the problem persists, turn off the vacuum cleaner and contact an authorised service centre.

Problem	Cause	Solution
Abnormal sounds are made during the cleaning process.	A foreign object has become stuck to the central rotary brush, side rotary brush or on the central swivel wheel.	Turn off the robotic vacuum cleaner and remove the foreign object.
The water tank does not release water into the sleeve or is only releasing a small amount of water.	There is an insufficient amount of water in the water tank; the sleeve is excessively soiled; the holder is not inserted.	Refill the water tank with water; clean the sleeve; correctly insert the mop sleeve holder.
The water tank is releasing too much water.	The water tank is not in its place; the water outlet is set to maximum.	Check that the water tank is properly inserted; adjust the water outlet using the application.
It is not possible to connect to the application.	Abnormal Wi-Fi network, incorrect Wi-Fi password or abnormal behaviour of the application.	Check whether the robotic vacuum cleaner is within range of the Wi-Fi network; enter the correct password or reset the Wi-Fi; download and install the latest version of the application.
The vacuum cleaner is not able to return to the charging station.	The distance from the charging station is too large.	If the charging station is too far away, it is possible that the robotic vacuum cleaner will not be able to find it. Put the robotic vacuum cleaner into the charging station manually.

## TECHNICAL SPECIFICATIONS

### Robotic Vacuum Cleaner

Power input of the robotic vacuum cleaner.....	14.4 V ~ 1 A
Rated power.....	20 W
Battery.....	Li-ion / 14,4 V / 2 600 mAh
Dimensions (diameter x height).....	Ø 350 x 98 mm
Weight.....	3.4 kg
Operating time per single charge.....	140 min
Dust container capacity.....	300 ml
Water tank capacity.....	300 ml
Noise level.....	max. 65 dB

### Collection Station

Input voltage.....	220-240 V ~
Input frequency.....	50-60 Hz
Output voltage.....	19 V
Output current.....	1.2 A
Rated power.....	1,000 W
Dimensions.....	280 x 193 x 320 mm
Weight.....	3.5 kg

### Charging station

Input voltage.....	100-240 V ~ 1A
Output voltage.....	19 V ~ 1 A
Dimensions.....	98 x 130 x 151 mm

Amendments to text and technical parameters are reserved.

### Original consumable accessories

SRX 9204	HEPA filter
SRX 9203	Side rotary brush
SRX 9202	Mop sleeve
SRX 0031	Dust bag (only for SRV 9185BK)
SRX 0027	Spare battery



### Note:

The collection station can be purchased for the SRV 9120BK model. The model number is SRX 0030.



The product is intended for household use only. The product is not intended for outdoor use.



Safety class for electric shock protection:  
Class II – Electric shock protection is provided by double or heavy-duty insulation.



This symbol indicates that the appliance must not be used if the power plug is damaged.

#### BATTERY DISPOSAL



Prior to disposing of the product or handing it over at a specialised collection facility, it is necessary to ensure that the battery is removed. Before removing the battery, it is necessary to start the vacuum cleaner and wait until it is completely flat. Battery contains environmentally damaging compounds and therefore does not belong in

standard household waste. Its proper disposal shall be ensured by the relevant collection point.

#### INSTRUCTIONS AND INFORMATION ON DISPOSING OF USED PACKAGING MATERIALS

Dispose of used packaging material at a site designated for waste in your municipality.

#### DISPOSING OF USED ELECTRICAL AND ELECTRONIC EQUIPMENT



This symbol on the products or accompanying documents indicates that used electrical and electronic products should not be disposed of with regular municipal waste.

For proper disposal and recycling, take these products to designated collection points. Or in some European Union states or other European countries the products can be returned to the local retailer when buying an equivalent new product. Disposing of this product correctly helps save

valuable natural resources and prevents damage to the environment by improper waste disposal. Ask your local authorities or collection facility for more details. In accordance with national regulations penalties may be imposed for the incorrect disposal of this type of waste.

##### For Business Entities in European Union States

If you want to dispose of electric or electronic devices, ask your retailer or supplier for the necessary information.

##### Disposal in Other Countries Outside the European Union

This symbol is valid in the European Union. If you wish to dispose of this product, request the necessary information about the correct disposal method from the local council or from your retailer.



This product complies with all the essential requirements of the EU directives that apply to it.

SENCOR hereby declares that the SRV 9120BK and SRV 9185BK radio types comply with Directive 2014/53/EU.

The full text of the EU Declaration of Conformity is available at:  
[www.sencor.eu](http://www.sencor.eu).

