

SENCOR®

SKS 0804BK



COFFEE SCALE

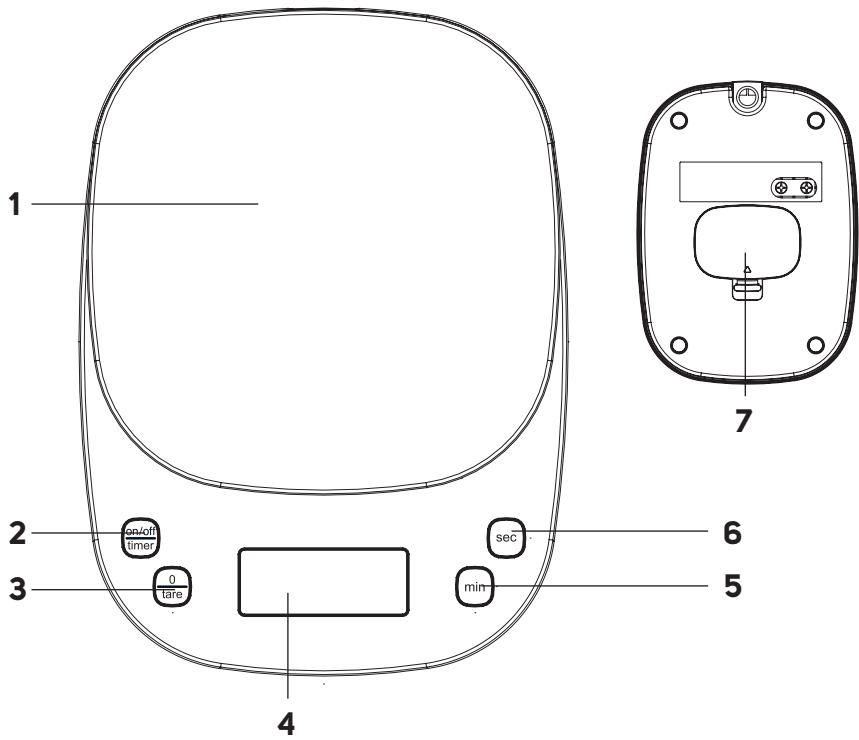
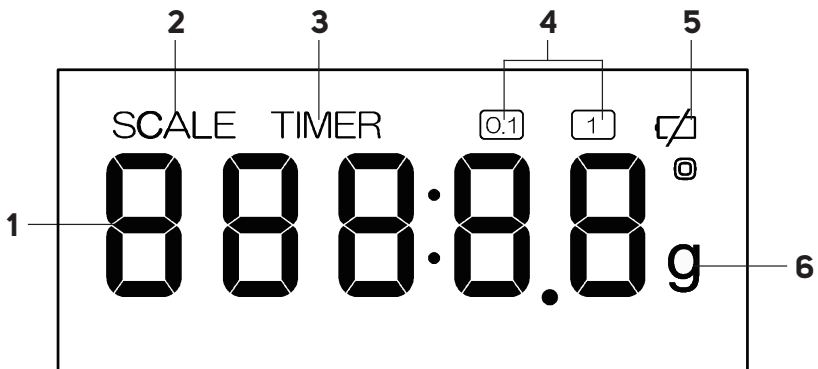
Translation of the original manual



SENCOR®

SKS 0804BK



A**B**

Safety Instructions and Important Notices

READ CAREFULLY AND STORE FOR FUTURE USE.

- This appliance is designed for household use. Do not use it for commercial purposes, for weighing animals or for other purposes for which it is not intended.
- This appliance may be used by children 8 years of age and older and by persons with physical, sensory or mental impairments or by inexperienced persons, if they are properly supervised.
- Children must be supervised to ensure that they do not play with the appliance.
- Do not use the appliance outdoors, place it on unstable surfaces, on an electric or gas stove, in the vicinity of an open flame or other sources of heat.
- Do not expose the appliance to direct sunlight or high humidity and do not use it in excessively dusty environments.
- In use, it must be ensured that the appliance is placed on an even, smooth, hard and stable surface. Otherwise, inaccuracies in weighing may occur.
- If the maximum weighing capacity is exceeded, remove the ingredient or object of excessive weight from the weighing area to avoid possible damage to the appliance.
- Do not use the appliance to support various items. When storing, it must be ensured that no objects are placed on the appliance.
- Always use new batteries of the same type. Never combine old and new batteries or batteries of various types. Never put batteries in a fire, short-circuit or damage them in any way. Dispose of them in an environmentally friendly manner at the end of their useful life. Never dispose of batteries in municipal waste.
- If you will not be using the appliance for an extended period of time, remove the batteries. If the battery were to leak into the interior of the appliance, the appliance could be damaged.
- Keep batteries out of the reach of children, because they may present a danger in their presence. If the child swallows the battery, immediately seek medical help.
- Keep the appliance clean. When cleaning, follow the instructions in the chapter "Cleaning and maintenance". Do not immerse the appliance in water or other liquids or rinse it under running water.
- Do not repair or modify the appliance yourself. Have all repairs or adjustments performed at an authorised service centre. By tampering with the appliance, you expose yourself to the risk of losing your legal rights regarding faulty performance or warranty for quality.

- Thank you for purchasing our SENCOR product; we hope you will be satisfied with it.
- Before using this appliance, please familiarise yourself with the user's manual, even if you are already familiar with using similar types of appliances. Use the appliance only as described in this user's manual. Keep the manual for future reference.
- We recommend to keep the original packaging, packaging materials, receipt, and proof of the seller's liability or warranty certificate for a minimum of the duration of statutory right of faulty performance or warranty of quality. When transporting the appliance, we recommend packaging it again in the original box provided by the manufacturer.
- Place the empty container on the scale. The display will show its weight. Pressing **0/Tare** will reset the value to zero.
- Put the first food into the container. The display will show its weight.
- If you need to weigh additional food, always press the **0/Tare** button before loading the additional food.
- Once you remove the food container from the scale, a negative value will appear on the display. Press the **0/Tare** button to reset the display.


DESCRIPTION OF THE SCALE

- | | |
|--|--|
| A1 Weighing area | A3 0/tare button to start/stop the timer or to reset the display |
| A2 On/off/timer button to turn the scale on/off and to switch the scale between the weighing mode and the timer mode | A4 Display |
| | A5 Min button to set the minutes |
| | A6 Sec button to set seconds |
| | A7 Battery compartment cover |

DESCRIPTION OF THE DISPLAY

- | | |
|--------------------------------------|--------------------------------------|
| B1 Numeric display | B4 Weight unit division icons |
| B2 SCALE icon (weighing mode) | B5 Low battery symbol |
| B3 TIMER icon (timer mode) | B6 Unit of weight |

POWER SOURCE

- Included in the package of this scale are 3x 1.5 V alkaline batteries, type AAA.
- Batteries must be inserted before using the scale. Proceed as follows:
 1. Remove the battery compartment cover.
 2. Insert the batteries into the internal compartment. Observe the correct polarity, which is shown on the bottom of the battery compartment.
 3. Put the cover on.
- If the  symbol appears on the display during use, it is necessary to replace the batteries. Follow the same procedure as described above and remove the dead batteries first.

USING THE SCALE

- Place the scale on a flat and stable surface.
- Press the **on/off/timer** button briefly to switch the scale on. Wait until "0.0" is shown on the display.
- Place the ingredients to be weighed in the centre of the area. The weight of the weighed ingredient will be displayed on the display.



Note:

If you will be weighing ingredients in a bowl, press the **0/Tare** button to reset the weight of the bowl/pot on the scale.

TARE FUNCTION

- The TARE function is used when you want to gradually weigh several foods in one container without removing the container from the scale. This function will automatically subtract the weight of the container from the total weight of the food.

TURNING OFF

- You can switch off the scale by pressing and holding the **on/off/timer** button for 2 seconds. The scale will automatically turn off after about 2 minutes of inactivity.

SWITCHING BETWEEN THE WEIGHING MODE AND THE TIMER MODE

MODE

- The scale allows you to both weigh food and countdown the set time.
- The **on/off/timer** button is used to switch between the weighing mode and the timer mode.
- While the scale is in the weighing mode (the display shows "SCALE"), press the **on/off/timer** button to switch the scale to the timer mode. "TIMER" will light up on the display.
- To switch back to weighing mode, press the **on/off/timer** button until "SCALE" appears on the display.



Note:

If you switch the scale to weighing mode while the countdown is running, the countdown will remain active and an acoustic signal will sound when it is complete.

TIMER MODE

- Place the scale on a flat and stable surface.
- Press the **on/off/timer** button briefly to switch the scale on. Wait until "0.0" is shown on the display.
- Press the **on/off/timer** button until "TIMER" and "00:00" light up on the display.
- Use the **min** and **sec** buttons to set the timer duration.
- Press the **0/Tare** button to confirm and start the timer.
- When the timer reaches the set time, an audible alarm sounds for 2 minutes. Press any button to end the sound notification.



Note:

The last setting is stored in the timer memory. Hold down the **0/Tare** button for 2 seconds to reset the value.

GRAVITATIONAL ACCELERATION SETTING

- The scale is calibrated prior to shipment, however its accuracy may be affected by gravitational acceleration, which is dependent on latitude and altitude. Therefore, we recommend setting the value of gravitational acceleration according to the area of use. The default gravitational acceleration setting for the scale is 7, which corresponds to the gravitational acceleration for the Czech Republic. In the table below you will find a basic overview of the settings and gravitational acceleration. In the detailed table at the end of the manual, you will find a list of cities and their gravitational acceleration.

Basic Table of Gravitational Acceleration

1	9.8
2	9.801
3	9.8035
4	9.806
5	9.8075
6	9.811
7	9.813
8	9.814
9	9.819

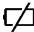
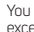
Gravitational Acceleration Adjustment Procedure

- When the scale is off, long press the **on/off/timer** button. The display will show the default value.
- Short press the **O/Tare** button and the value will increase by "1". Long press the **O/Tare** button to speed up the value setting.
- Press the **on/off/timer** button to confirm and the scale will turn off.

CLEANING AND MAINTENANCE

- Use a soft sponge slightly dampened in warm water to clean the scale. Wipe dry with a clean cloth.
- Do not use wire cloths, abrasive cleaners, thinners, etc. for cleaning. Otherwise the surface may be damaged.
- Do not immerse the scale in water or other liquid or rinse it under running water.

TROUBLESHOOTING

Problem	Meaning	Solution
The symbol  is shown on the display.	Batteries are flat.	Replace the batteries.
The scale did not turn on when the on/off/timer button was pressed.	Batteries are flat.	Replace the batteries.
	The batteries are not inserted correctly.	When inserting the batteries, observe the polarity marked on the bottom of the battery compartment.
The symbol  is shown on the display.	You have exceeded the maximum weighing capacity of the scale.	Remove the ingredients from the area of the scale so as not to damage it.

TECHNICAL SPECIFICATIONS

Power source.....3x 1.5 V AAA batteries
 Weight capacity.....2 kg
 Minimum weight.....0.3 g
 Weighing accuracy.....0–200 g: ± 0.2 g; 200–1,000 g: ± 2 g; 1001–2000 g: ± 3 g
 Unit of weight.....g
 Display of weight unit 0.3 - 199.9 g: 0.1 g; 200 - 2000 g: 1 g

We reserve the right to change the text and technical specifications.

INSTRUCTIONS AND INFORMATION ON DISPOSAL OF USED PACKAGING MATERIAL

Dispose of used packaging material at a site designated for waste in your municipality.

DISPOSING OF USED ELECTRICAL AND ELECTRONIC EQUIPMENT



This symbol on the products or accompanying documents indicates that used electrical and electronic products should not be disposed of with regular municipal waste. For proper disposal and recycling, take these products to designated collection points. Or in some European Union states or other European countries the products can be returned to the local retailer when buying an equivalent new product. Disposing of this product correctly helps save valuable natural resources and prevents damage to the environment by improper waste disposal. Ask your local authorities or collection facility for more details. In accordance with national regulations penalties may be imposed for the incorrect disposal of this type of waste.

For Business Entities in European Union States

If you want to dispose of electric or electronic devices, ask your retailer or supplier for the necessary information.

Disposal in Other Countries Outside the European Union

This symbol is valid in the European Union. If you wish to dispose of this product elsewhere, request the necessary information about the correct disposal method from the local council or from your retailer.



This product complies with all the essential requirements of the EU directives that apply to it.

DISPOSAL OF USED BATTERIES



Batteries contain environmentally damaging compounds and therefore do not belong in standard municipal waste. Take used batteries for proper disposal at a designated battery collection point.

Gravitational Acceleration Table by Cities
Tabuľka gravitačného zrýchlenia podľa miest
Tabuľka gravitačného zrýchlenia podľa miest
Gravitációs gyorsulási táblázat városonként
Tabela przyspieszeń grawitacyjnych według miasta
Таблица гравитационных ускорений по городам
Tablica gravitacijskog ubrzanja po gradovima
Πίνακας Επιτάχυνσης Βαρύτητας ανά Πόλη

City/Město/Mesto/Város/ Miasto/Город/Grad/Πόλη	Gravitational acceleration m/s² Gravitační zrýchlenie m/s² Gravitačné zrýchlenie m/s² Gravitációs gyorsulás m/s² Przyspieszenie grawitacyjne m/s² Гравитационное ускорение m/c² Gravitacijsko ubrzanje m/s² Επιτάχυνση βαρύτητας m/s²
Nikósie/Λευκωσία	9,797
Sevilla	9,799
Athens/Aθήνα	9,8
Catania	9,8
Madrid	9,8
Malaga	9,8
Cagliari	9,801
Lisabon	9,801
Valencia	9,801
Barcelona	9,803
Roma	9,803
Bologna	9,804
Lomnický štít (Vysoké Tatry)	9,804
Skopje	9,804
Florence	9,805
Marseille	9,805
Torino	9,805
Bern	9,806
Bordeaux	9,806
Genf/Genève	9,806
Innsbruck	9,806
Klagenfurt	9,806
Lausanne	9,806
Lugano	9,806
Milano	9,806
Padova	9,806
Zürich	9,807
Graz	9,807
Luzern	9,807
Lyon	9,807
München	9,807
Budapest	9,808
Istanbul	9,808
Linz	9,808
Nancy	9,809
Paris	9,809
Wien	9,809
Frankfurt am Main	9,81
Mannheim	9,81
Vranov nad Topľou	9,81
Bruxelles	9,811
Kraków	9,811
Lille	9,811
Wrocław	9,811
London	9,812
Warszawa	9,812

Amsterdam	9,813
Bremen	9,813
Brno	9,813
Hannover	9,813
Ostrava	9,813
Plzeň	9,813
Poznań	9,813
Dublin	9,814
Hamburg	9,814
Liberec	9,814
Praha	9,814
Gdańsk	9,815
Copenhagen	9,815
Glasgow	9,816
Stockholm	9,818
Bergen	9,819
Helsinki	9,819
Oslo	9,819
Stavanger	9,819
Trondheim	9,822

