

SENCOR®

SOC 0810BL
SOC 0811RS



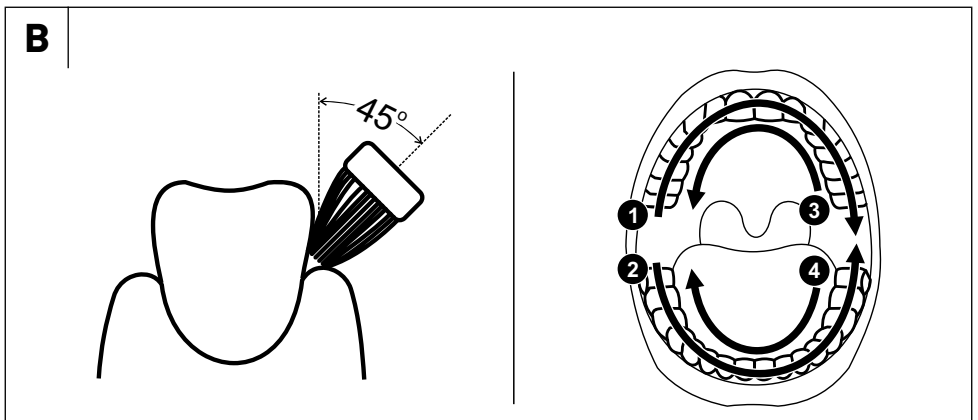
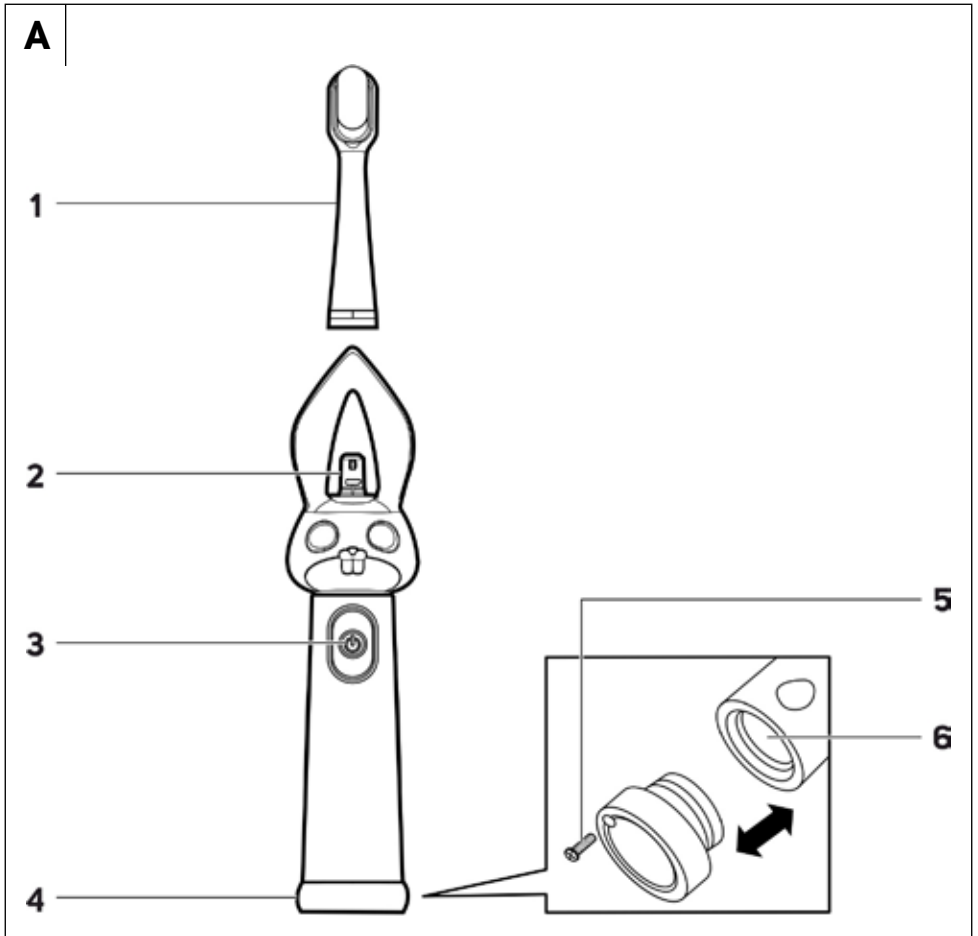
KID'S TOOTHBRUSH
Translation of the original manual



SENCOR®

**SOC 0810BL
SOC 0811RS**





EN Kid's toothbrush

Important safety instructions

READ CAREFULLY AND STORE FOR FUTURE USE.

General warnings

- Toothbrushes may be used by children and persons with reduced physical or mental capabilities or with a lack of experience and knowledge, if they are supervised or have been instructed to use the appliance in a safe manner and understand the potential dangers.
- Children must not play with the appliance. Cleaning and maintenance performed by the user must not be performed by unsupervised children.
- The parts of the appliance that need to be mounted or stood upright, must be mounted or stood upright in such a way that they cannot fall into water.

Electrical safety

- Use a standard AAA-type battery. When replacing the battery, adhere to the marked polarity. When not using the toothbrush for an extended period of time, remove the battery.
- In the event that there are visible signs of corrosion on the battery or electrolyte is leaking out, replace it immediately, otherwise the toothbrush may be damaged.
- Dispose of a flat battery in an appropriate manner.
- Do not repair the appliance yourself or make any adjustments to it. Have all repairs or adjustments of the appliance performed at an authorised service centre. Tampering with the appliance during the warranty period may void the warranty.
- If the toothbrush falls into water, under no circumstances continue using it, but rather hand it over to an authorised service centre for inspection.

Safety during use

- This toothbrush serves to clean teeth and gums in the household. Do not use it for commercial purposes or for purposes other than those for which it is intended. This toothbrush is not intended for brushing the teeth of animals.
- Do not expose the toothbrush to the effects of the outdoor environment, extreme temperatures, direct sunlight or locate it in the vicinity of an open flame, heating elements and other equipment or appliances that could be potential sources of heat.
- Use and store the toothbrush at room temperature.
- For hygiene reasons, toothbrush heads should be used by only a single user. Regularly replace the toothbrush head every 3 months, or sooner if it shows signs of wear. Use only original replacement toothbrush heads.
- Do not insert the toothbrush into any bodily cavities, except for the mouth.
- Always supervise a child that is brushing its teeth with this toothbrush on its own until it learns the proper brushing technique. Always pay attention to how the child is using the toothbrush and ensure that it does not slide the toothbrush head off the handle and place it in its mouth. It could become stuck in their throat, or worse it could even swallow it.
- In the event that dental work or oral surgery was performed on your child in the past two months, consult the use of the toothbrush with your dentist.
- In the event that your child has recently undergone surgery of teeth or gums, has suffered with dental issues or has undergone more demanding dental work in the past two months, please consult the use of the toothbrush with a dentist.
- In the event that gum bleeding occurs when the toothbrush is used and if the bleeding does not stop even after a week of its use, contact a dentist.

- If your toothpaste contains peroxide, sodium bicarbonate or another bicarbonate (frequently used in whitening toothpastes), then thoroughly clean the brush and the handle after use.
- In the event that using the toothbrush causes unpleasant or painful feelings to your child, stop using the toothbrush and consult this issue with a dentist.
- Perform cleaning and maintenance according to the instructions in chapter Cleaning and maintenance. Never wash the toothbrush in a dishwasher.
- Do not make any modifications to the toothbrush. By tampering with the product you risk voiding your legal rights arising from unsatisfactory performance or quality warranty.

- Thank you for purchasing a SENCOR brand product and we hope that you will be happy with it.
- Prior to using this appliance, please read the user's manual thoroughly, even in cases, when one has already familiarised themselves with previous use of similar types of appliances. Only use the appliance in the manner described in this user's manual. Keep this user's manual in a safe place where it can be easily retrieved for future use. In the event that you hand this appliance over to somebody else, make sure to also include this user's manual.
- Carefully unpack the appliance and take care not to throw away any part of the packaging before you find all its parts. We recommend saving the original cardboard box, packaging material, purchase receipt and responsibility statement of the vendor or warranty card for at least the duration of the legal liability for unsatisfactory performance or quality. In the event of transportation, we recommend that you pack the appliance in the original box from the manufacturer.

DESCRIPTION OF THE APPLIANCE

A1 Toothbrush head	A4 Battery compartment cover
A2 Connecting pin with multi-coloured LED light	A5 Cover nut
A3 Main switch	A6 Battery compartment for an AAA-type battery

USE AND FEATURES OF THE TOOTHBRUSH

- This toothbrush is to only be used for dental hygiene of children up to three years of age. It is intended for home use and for private purposes. It is not intended for business activities or other professional areas of use nor for the treatment of animals.
- The head of the toothbrush is equipped with unique, very fine nano-fibres that effectively remove plaque and bacteria, whilst not irritating the sensitive gums of children. The motion frequency of the head ensures fast and effective brushing of children's teeth.
- The connecting pin is equipped with an LED light that illuminates the head of the toothbrush and thereby also the inside of the mouth, which gives parents greater control over the tooth brushing process.
- The head of the toothbrush is intentionally tilted by 15°, which enables simpler and more precise tooth brushing.

BEFORE FIRST USE

- Before first use, rinse the head of the toothbrush with clean warm water.
- Wipe the body of the toothbrush with a dry or a very lightly dampened wiping cloth. Do not submerge the body of the toothbrush in water and do not wash it under running water.



Attention:

No part of this toothbrush is intended for washing in a dishwasher!

- Prior to first use, insert a battery into the toothbrush according to the following chapter.

INSERTING A BATTERY

- Screw out the cover screw of the battery compartment and screw out the cover off the toothbrush handle.
- Insert one AAA-type battery into the battery compartment. Ensure the correct polarity of the inserted battery.
- Screw the cover back on and secure it in place using the screw.

OPERATION

- Slide the toothbrush head on to the connecting pin on the toothbrush body and turn it to secure it in place. A small gap may remain between the toothbrush unit and the ring on the bottom end of the head, which does not constitute a defect. To remove the toothbrush head, proceed in the reverse sequence.
- Rinse the head of the toothbrush with water and apply a small amount of toothpaste on to it.
- Place the toothbrush head against the teeth of the child at a slight angle relative to the gums (see fig. B) and press the main switch. This will activate the toothbrush and the connecting pin will light up, which subsequently alternates the colours and illuminates the toothbrush head.
- Pressing the main switch again will start the brushing mode.

CORRECT BRUSHING TECHNIQUE

- Place the toothbrush bristles on to the teeth at an angle of 45° in line with the gum, see figure B.
- Do not exert excessive pressure on the teeth. Move the toothbrush along to other teeth with short, slow movements. Once the outer side of the upper right dental arch is brushed, move the toothbrush to the inner side of the dental arch. Again, proceed from back to front. Adjust the toothbrush angle to the tooth arrangement. When brushing the inner side of the front teeth, hold the toothbrush handle vertical so that the tip of the toothbrush head points upwards. Finally, brush the upper tooth surfaces.
- In the same way, brush the right half of the lower dental arch, the left half of the lower dental arch and finally also the left half of the upper dental arch. When brushing the inner side of the front teeth of the lower dental arch, hold the toothbrush handle vertical so that the tip of the toothbrush head points downwards.



Note:

In the event that your child does not have any experience with the use of a vibrating electric toothbrush yet, you can wait a while until it gets used to the vibrating sensation of the toothbrush. It is normal that the child only gets used to the toothbrush after several days of brushing but then it becomes second nature.

Brushing timer

- This toothbrush has a timer function that momentarily pauses the toothbrush every 30 seconds until it turns off automatically, thereby informing you that it is time to start brushing the next section of the child's teeth. This will ensure that all the dental quadrants are brushed for the same amount of time.

Automatic shut-off

- The toothbrush is equipped with a timer that will automatically stop it after 2 minutes of operation. This is the tooth brushing time recommended by dentists for the vibrating toothbrush.

Ending the brushing process

- If you wish to stop the operation of the toothbrush before the automatic shut-off time limit, then repeatedly press the main switch until the toothbrush turns off.
- When you have finished using the toothbrush, clean it according to the instructions in chapter CLEANING AND MAINTENANCE.

CLEANING AND MAINTENANCE



Warning:

The toothbrush must always be turned off before cleaning it.

For cleaning the toothbrush and its parts, never use cleaning products with an abrasive effect, solvents, etc. Otherwise, its surface may be damaged.

No part of this toothbrush is intended for washing in a dishwasher!

- For hygiene reasons, regularly clean the toothbrush after every use.
- Thoroughly rinse the toothbrush head under lukewarm running water to remove any toothpaste or other remains. If whitening pastes are used when brushing teeth, it is recommended to apply a drop of soap on to the toothbrush head and then to thoroughly wash it under running lukewarm water. Remove the toothbrush head from the handle at least once per week and clean it under running water in the location where it is attached to the handle.
- Clean the toothbrush handle using a lightly dampened cloth and then dry it. You can also quickly rinse the handle under running water, but do not submerge it in water.
- Never dry parts of the toothbrush over heat sources such as wood stoves, electric or gas stoves, etc.

REPLACING THE TOOTHBRUSH HEADS

- Regularly replace the toothbrush head every 3 months, or sooner if it shows signs of wear. Use only original replacement toothbrush heads. Replacement heads are available from your vendor both in online and brick&mortar stores.

STORAGE

- When not using the toothbrush for an extended period of time, place the washed toothbrush and brushing head in a dry, clean place that is out of reach of children. Keep the stored toothbrush and its parts away from extreme temperatures, direct sunlight and excessive humidity and do not store these in an overly dusty environment.
- When not using the toothbrush for an extended period of time, remove the battery.

TECHNICAL SPECIFICATIONS

Battery type	1.5 V AAA (1 pc)
Operating time	up to 3 months at standard tooth brushing frequency
Noise level	<65 dB(A)
Protection class level against damaging entry of water	IPX7
Vibration speed	12,000 vibrations/minute

The declared noise emission level of this appliance is lower than 65 dB(A), which represents a level A of sound power with respect to a reference sound power of 1 pW.

Explanation of technical terminology

Protection class level against damaging entry of water:

IPX7 – The appliance is protected against damaging entry of water when submerged at a depth of 1 metre for 30 minutes.

Changes to text and technical parameters are reserved.

INSTRUCTIONS AND INFORMATION REGARDING THE DISPOSAL OF USED PACKAGING MATERIALS

Dispose of used packaging material at a site designated for waste in your municipality.

DISPOSAL OF USED BATTERIES

Prior to handing over the appliance at a specialised collection facility, it is necessary to ensure that the built-in battery is removed. Battery removal will be performed at the authorised service centre. In the event that the product has been disassembled for the purpose of ecological disposal then it must not be reassembled.



This symbol indicates that the used battery does not belong in ordinary municipal waste. Hand over the used battery to designated collection points for proper disposal. Correct disposal of the battery will help prevent negative impacts on the environment and human health.

Disposal in other countries outside the European Union.

This symbol is valid in the European Union. If you wish to dispose of this product, request the necessary information about the correct disposal method from the local council or from your retailer.

DISPOSAL OF USED ELECTRICAL AND ELECTRONIC EQUIPMENT



This symbol on products or original documents means that used electric or electronic products must not be added to ordinary municipal waste. For proper disposal, renewal and recycling, hand these products over at determined collection points. Alternatively, in some European Union states or other European countries you may return your products to the local retailer when buying an equivalent new product.

Correct disposal of this product helps save valuable natural resources and prevents potential negative effects on the environment and human health, which could result from improper waste disposal. Ask your local authorities or collection facility for more details. In accordance with national regulations penalties may be imposed for the incorrect disposal of this type of waste.

For business entities in European Union states

If you want to dispose of electrical or electronic equipment, ask your retailer or supplier for the necessary information.

Disposal in other countries outside the European Union.

This symbol is valid in the European Union. If you wish to dispose of this product, request the necessary information about the correct disposal method from the local council or from your retailer.



This product meets all the basic requirements of EU directives related to it.

