

RANGE HOOD

USER'S MANUAL

PHILCO



Famous for Quality the World Over

ATHENA 60

KAMPALA 90-60

**Dear customer,
Thank you for buying a PHILCO brand product. So that your appliance serves you well, please read all the instructions in this user's manual.**

Contents

PART 1: IMPORTANT SAFETY INSTRUCTIONS	4
Caution	4
PART 2: DESCRIPTION OF THE APPLIANCE	6
PART 3: INSTALLATION	7
Use	7
Electrical connection	8
Mounting.....	8
PART 4: OPERATION	19
PART 5: MAINTENANCE AND CLEANING	20
Cleaning	20
Grease filter	21
Charcoal filter (filter version only).....	21
Replacing lamps.....	22
PART 6: BEFORE YOU CALL THE SERVICE CENTRE	23
PART 7: TECHNICAL SPECIFICATIONS	24

PART 1: IMPORTANT SAFETY INSTRUCTIONS

Closely follow the instructions set out in this manual. All responsibility, for any eventual inconveniences, damages or fires caused by not complying with the instructions in this manual, is declined. The hood is conceived for the suction of cooking fumes and steam and is destined only for domestic use.

! It is important to conserve this booklet for consultation at any moment. In the case of sale, cession or move, make sure it is together with the product.

! Read the instructions carefully: there is important information about installation, use and safety.

! Do not carry out electrical or mechanical variations on the product or on the discharge conduits.

! Before proceeding with the installation of the appliance verify that there are no damaged all components.

Otherwise contact your dealer and do not proceed with the installation.

Note: the elements marked with the symbol “(*)” are optional accessories supplied only with some models or elements to purchase, not supplied.



Caution

Before any cleaning or maintenance operation, disconnect hood from the mains by removing the plug or disconnecting the mains electrical supply.

Always wear work gloves for all installation and maintenance operations.

This appliance can be used by children aged from 8 years and above and persons with reduced physical, sensory or mental capabilities or lack of experience and knowledge if they have been given supervision or instruction concerning use of the appliance in a safe way and understand the hazards involved.

Children shall not be allowed to tamper with the controls or play with the appliance.

Cleaning and user maintenance shall not be made by children without supervision.

The premises where the appliance is installed must be sufficiently ventilated, when the kitchen hood is used together with other gas combustion devices or other fuels.

The hood must be regularly cleaned on both the inside and outside (AT LEAST ONCE A MONTH).

This must be completed in accordance with the maintenance instructions provided in this manual. Failure to follow the instructions provided in this user guide regarding the cleaning of the hood and filters will lead to the risk of fires.

The flaming of foods beneath the hood itself is severely prohibited.

The use of exposed flames is detrimental to the filters and may cause a fire risk, and must therefore be avoided in all circumstances.

Any frying must be done with care in order to make sure that the oil does not overheat and ignite.

CAUTION: Accessible parts of the hood may become hot when used with cooking appliances.

For lamp replacement use only lamp type indicated in the Maintenance/Replacing lamps section of this manual.

WARNING! Do not connect the appliance to the mains until the installation is fully complete.

With regards to the technical and safety measures to be adopted for fume discharging it is important to closely follow the regulations provided by the local authorities.

The ducting system for this appliance must not be connected to any existing ventilation system which is being used for any other purpose such as discharging exhaust fumes from appliances burning gas or other fuels.

Do not use or leave the hood without the lamp correctly mounted due to the possible risk of electric shocks.

Never use the hood without effectively mounted grids.

The hood must NEVER be used as a support surface unless specifically indicated.

Use only the fixing screws supplied with the product for installation or, if not supplied, purchase the correct screws type.


Use the correct length for the screws which are identified in the Installation Guide.

In case of doubt, consult an authorised service assistance centre or similar qualified person.

WARNING! Failure to install the screws or fixing device in accordance with these instructions may result in electrical hazards.

This appliance is marked according to the European directive 2012/19/EC on Waste Electrical and Electronic Equipment (WEEE). By ensuring this product is disposed of correctly, you will help prevent potential negative consequences for the environment and human health, which could otherwise be caused by inappropriate waste handling of this product.



The symbol  on the product, or on the documents accompanying the product, indicates that this appliance may not be treated as household waste. Instead it should be taken to the appropriate collection point for the recycling of electrical and electronic equipment. Disposal must be carried out in accordance with local environmental regulations for waste disposal.

For further detailed information regarding the process, collection and recycling of this product, please contact the appropriate department of your local authorities or the local department for household waste or the shop where you purchased this product.

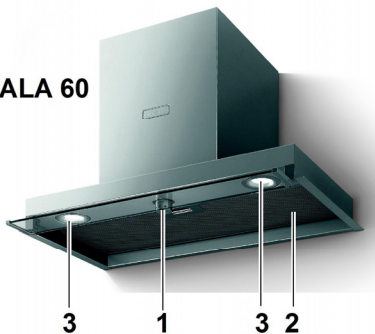
Appliance designed, tested and manufactured according to:

- Safety: EN/IEC 60335-1; EN/IEC 60335-2-31, EN/IEC 62233.
- Performance: EN/IEC 61591; ISO 5167-1; ISO 5167-3; ISO 5168; EN/IEC 60704-1; EN/IEC 60704-2-13; EN/IEC 60704-3; ISO 3741; EN 50564; IEC 62301.
- EMC: EN 55014-1; CISPR 14-1; EN 55014-2; CISPR 14-2; EN/IEC 61000-3-2; EN/IEC 61000-3-3.

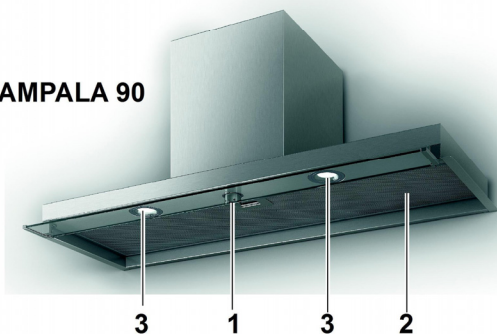
Suggestions for a correct use in order to reduce the environmental impact: Switch ON the hood at minimum speed when you start cooking and kept it running for few minutes after cooking is finished. Increase the speed only in case of large amount of smoke and vapour and use boost speed(s) only in extreme situations. Replace the charcoal filter(s) when necessary to maintain a good odour reduction efficiency. Clean the grease filter(s) when necessary to maintain a good grease filter efficiency. Use the maximum diameter of the ducting system indicated in this manual to optimize efficiency and minimize noise.

PART 2: DESCRIPTION OF THE APPLIANCE

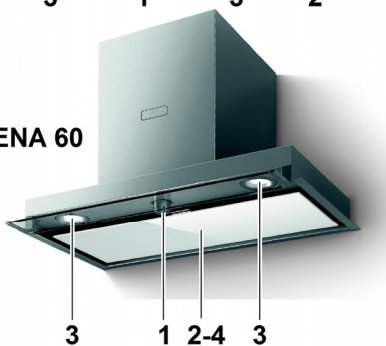
KAMPALA 60



KAMPALA 90



ATHENA 60

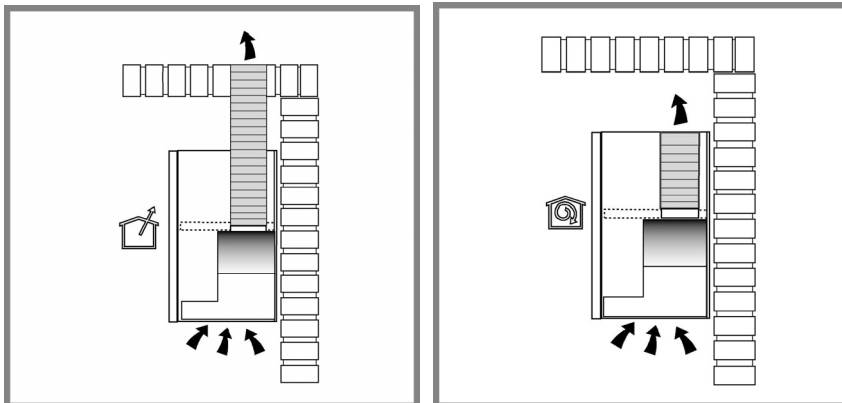


- 1. Control panel
- 2. Grease filter
- 3. Halogen lamp
- 4. Vapour catcher

PART 3: INSTALLATION

Use

The hood is designed to be used either for exhausting or filter version.



Ducting version

In this case the fumes are conveyed outside of the building by means of a special pipe connected with the connection ring located on top of the hood.

Attention! The exhausting pipe is not supplied and must be purchased apart.

Diameter of the exhausting pipe must be equal to that of the connection ring.

Attention! If the hood is supplied with active charcoal filter, then it must be removed.

Connect the hood and discharge holes on the walls with a diameter equivalent to the air outlet (connection flange).

Using the tubes and discharge holes on walls with smaller dimensions will cause a diminution of the suction performance and a drastic increase in noise.

Any responsibility in the matter is therefore declined.

! Use a duct of the minimum indispensable length.

! Use a duct with as few elbows as possible (maximum elbow angle: 90°).

! Avoid drastic changes in the duct cross-section.



Filter version

The aspirated air will be degreased and deodorised before being fed back into the room.

In order to use the hood in this version, you have to install a system of additional filtering based on activated charcoal.



Electrical connection

The mains power supply must correspond to the rating indicated on the plate situated inside the hood. If provided with a plug connect the hood to a socket in compliance with current regulations and positioned in an accessible area, after installation. If it not fitted with a plug (direct mains connection) or if the plug is not located in an accessible area, after installation, apply a double pole switch in accordance with standards which assures the complete disconnection of the mains under conditions relating to over-current category III, in accordance with installation instructions.

Warning! Before re-connecting the hood circuit to the mains supply and checking the efficient function, always check that the mains cable is correctly assembled.

Warning! Power cable replacement must be undertaken by the authorised service assistance centre or similar qualified person.

Mounting

Before beginning installation:

- Check that the product purchased is of a suitable size for the chosen installation area.
- Remove the charcoal (*) filter/s if supplied (see also relative paragraph). This/these is/are to be mounted only if you want to use the hood in the filtering version.
- Check (for transport reasons) that there is no other supplied material inside the hood (e.g. packets with screws (*), guarantees (*), etc.), eventually removing them and keeping them.

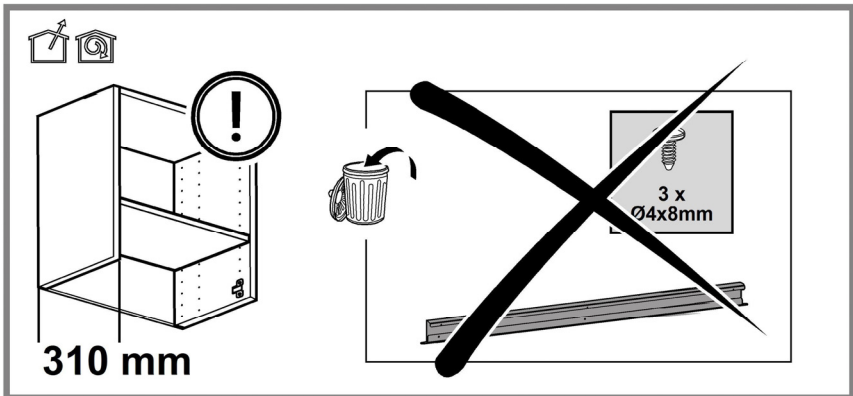
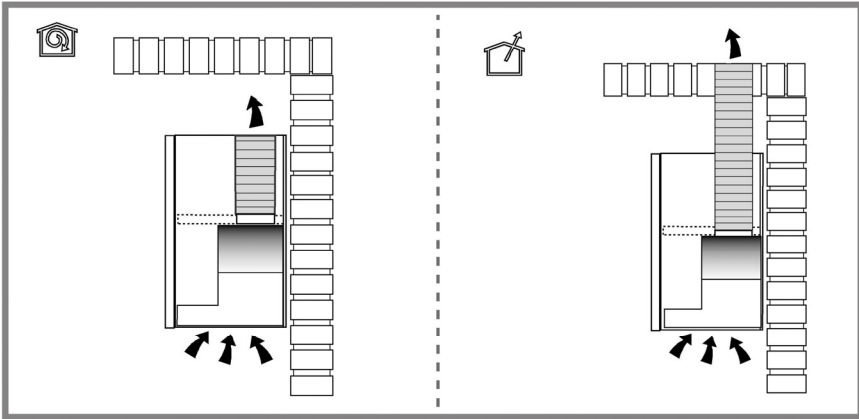
In the case of the presence of panels and/or walls and/or lateral wall units check that there is sufficient space to install the hood and that access to the command panel is easy.

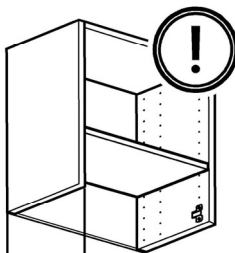
The minimum distance between the supporting surface for the cooking equipment on the hob and the lowest part of the range hood must be not less than 50cm from electric cookers and 50cm from gas or mixed cookers. If the instructions for installation for the gas hob specify a greater distance, this must be adhered to.

Only for some models

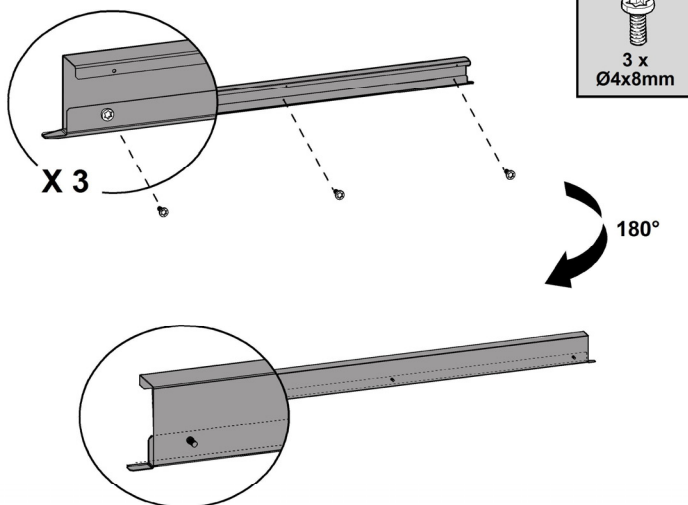
An aesthetic flue can be purchased as an optional accessory. Check with the authorized dealer whether the model in your possession envisages this possibility.

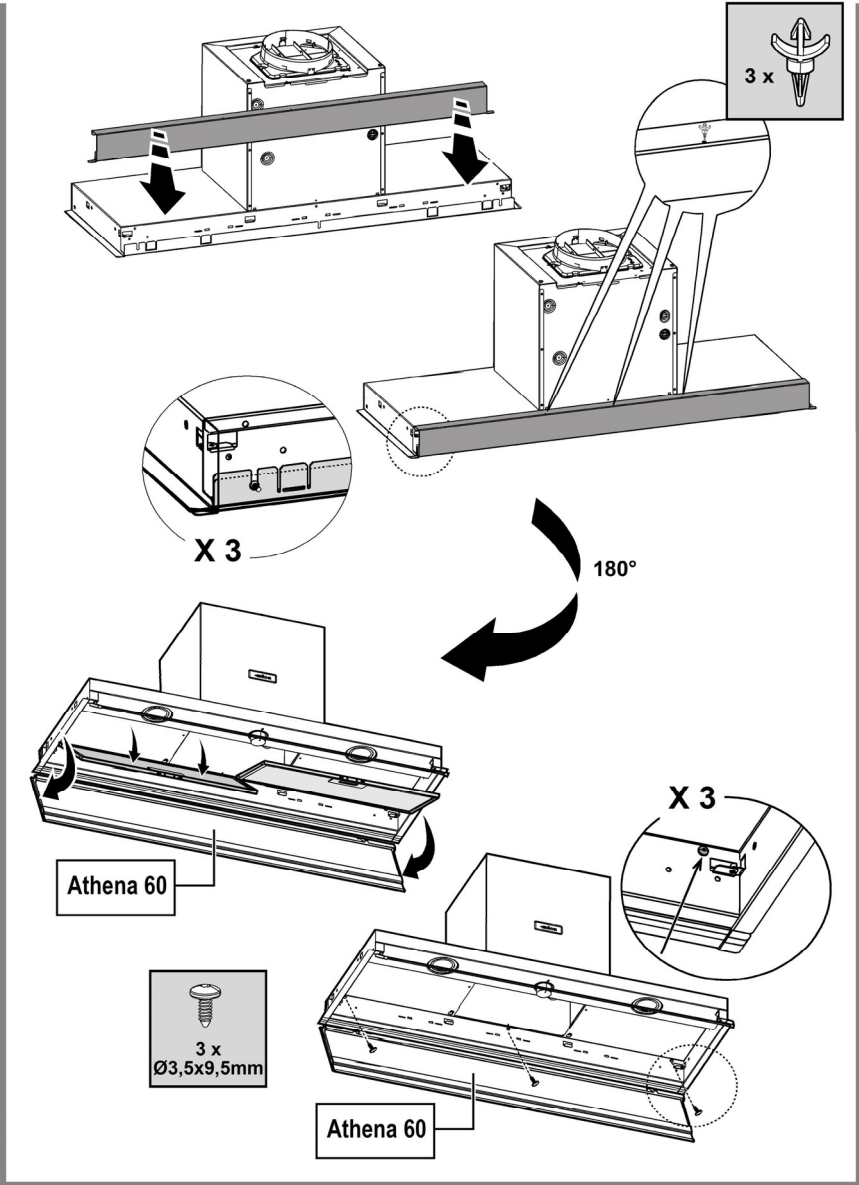
We advise installing the hood after having purchased the flue to check with certainty the most suitable installation.

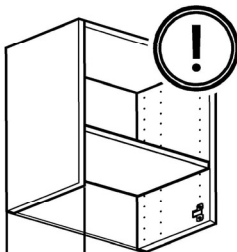




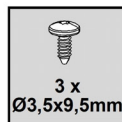
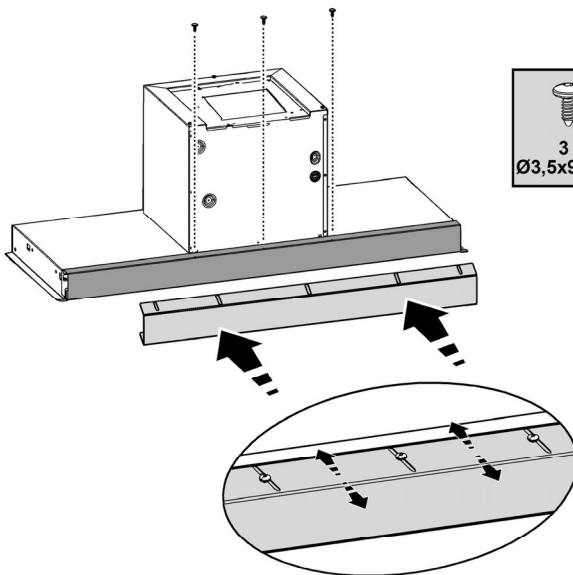
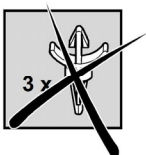
320 mm

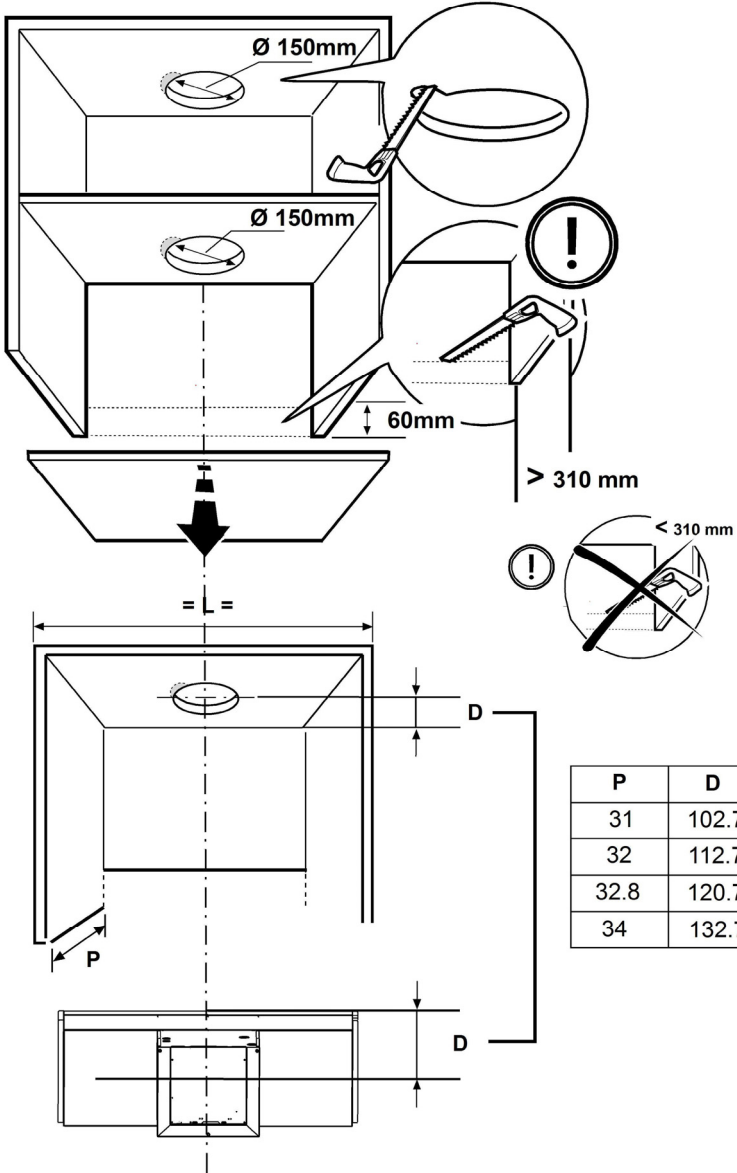


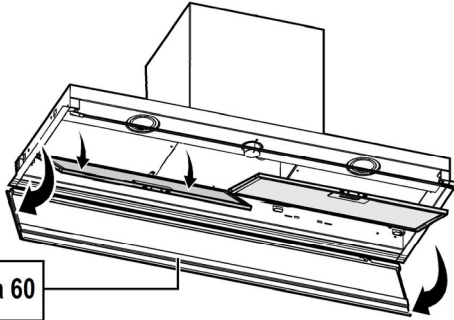




320-340 mm

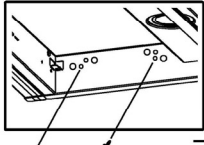
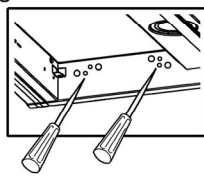
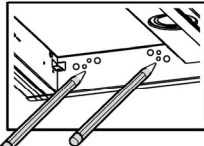
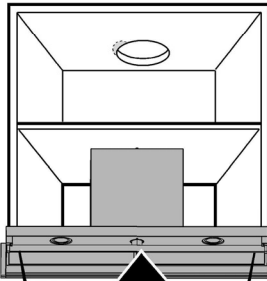






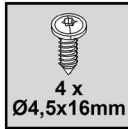
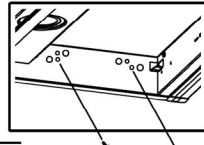
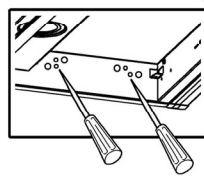
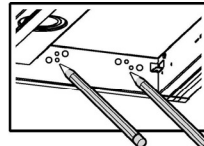
1

Athena 60

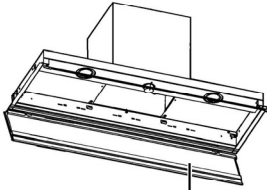


R

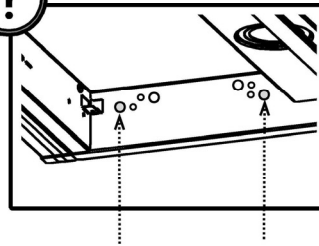
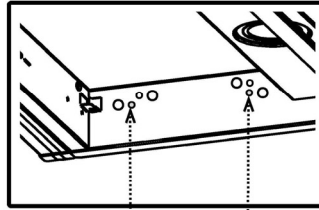
L



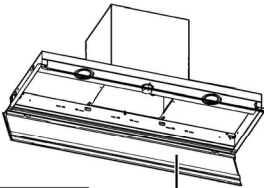
2a



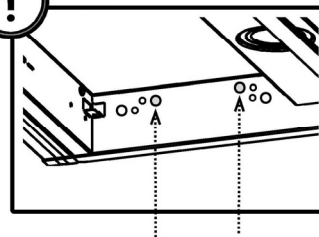
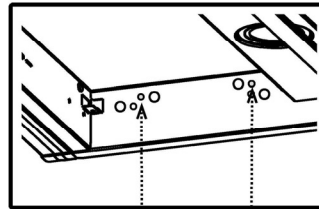
Athena 60



4 x
Ø6mm

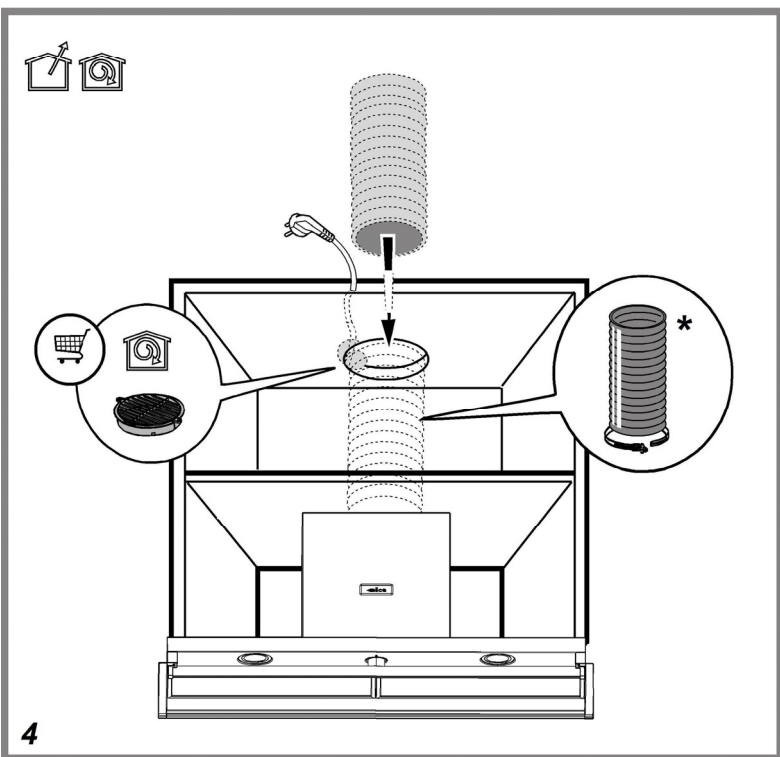
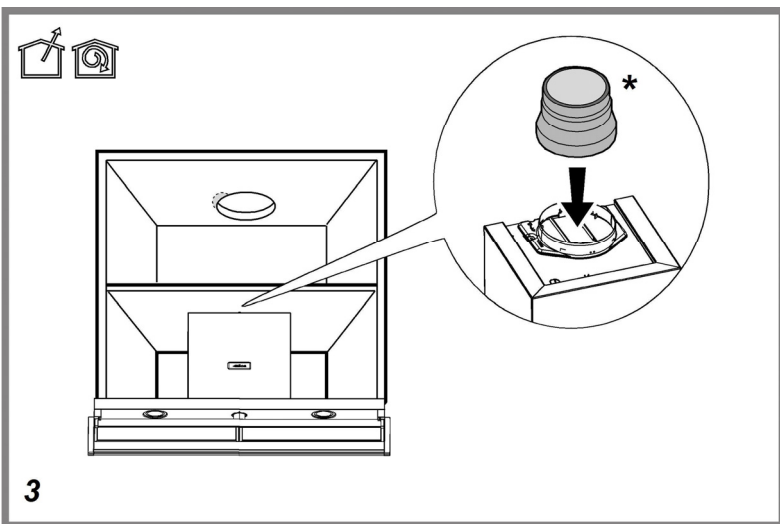


Athena 60

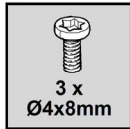
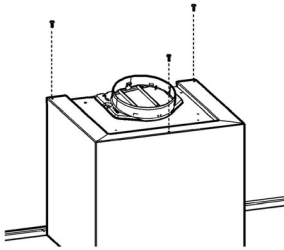


4 x
Ø6mm

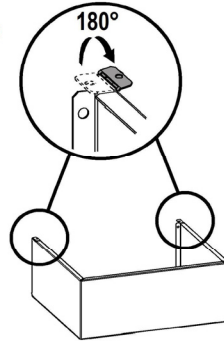
2b



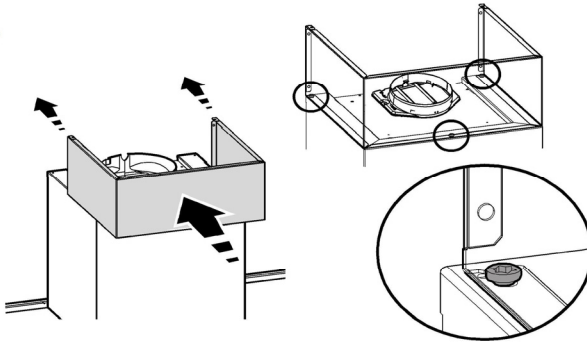
.a



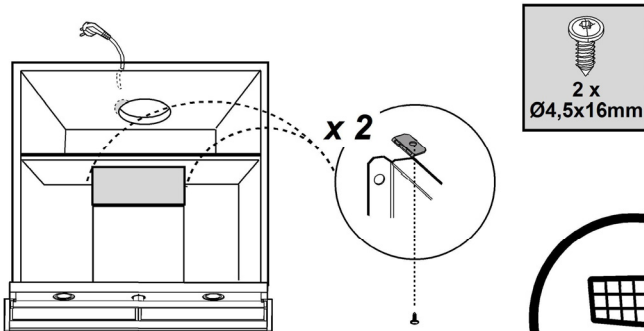
.b



.c

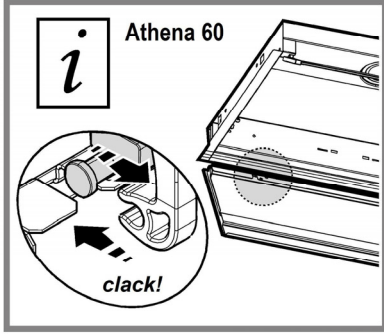
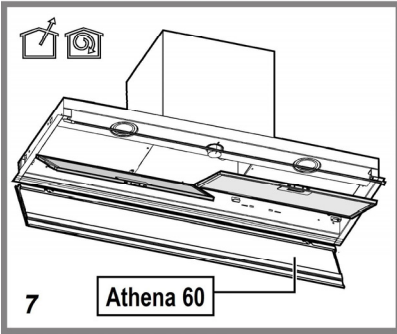
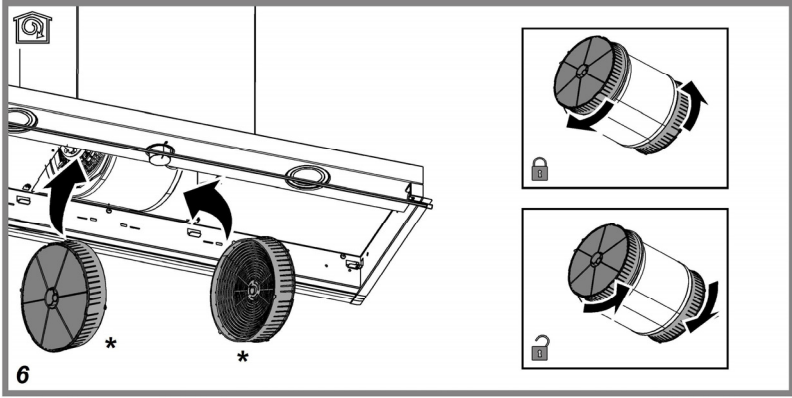


.d



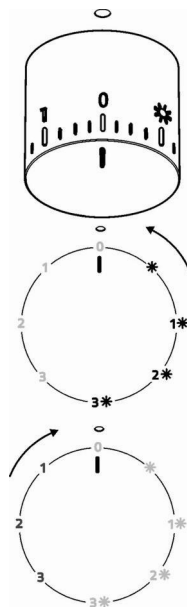
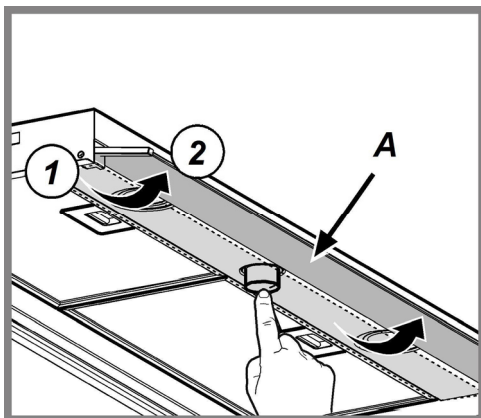
5





PART 4: OPERATION

Always fully open the vapour catcher (A).



	Light ON
1	Speed 1 Light ON
2	Speed 2 Light ON
3	Speed 3 Light ON
0	OFF
1	Speed 1 Light OFF
2	Speed 2 Light OFF
3	Speed 3 Light OFF

PART 5: MAINTENANCE AND CLEANING

Cleaning

Clean using **ONLY** the cloth dampened with neutral liquid detergent. **DO NOT CLEAN WITH TOOLS OR INSTRUMENTS**. Do not use abrasive products. **DO NOT USE ALCOHOL!**

Athena 60

Maintenance of the panel

Dismantling:

pull the panel out decisively and remove it from all the connecting points.

Cleaning:

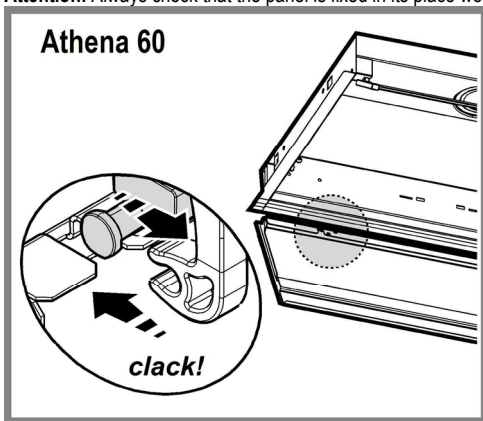
the panel should be cleaned with the same frequency as the fat filters, using a cloth soaked in neutral liquid detergents.

Avoid the use of products containing abrasives. **DO NOT USE ALCOHOL!**

Montage:

The panel should be fixed between the pins placed for this reason on the surface of the hood.

Attention! Always check that the panel is fixed in its place well.

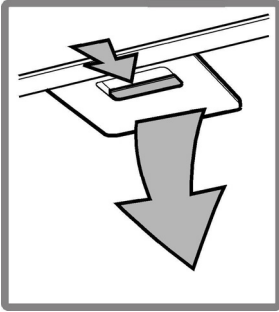


Grease filter

Traps cooking grease particles.

The **grease filter** must be cleaned once a month using non aggressive detergents, either by hand or in the dishwasher, which must be set to a low temperature and a short cycle. When washed in a dishwasher, the grease filter may discolour slightly, but this does not affect its filtering capacity.

To remove the grease filter, pull the spring release handle.



Charcoal filter (filter version only)

It absorbs unpleasant odours caused by cooking.

The saturation of the **charcoal filter** occurs after more or less prolonged use, depending on the type of cooking and the regularity of cleaning of the grease filter.

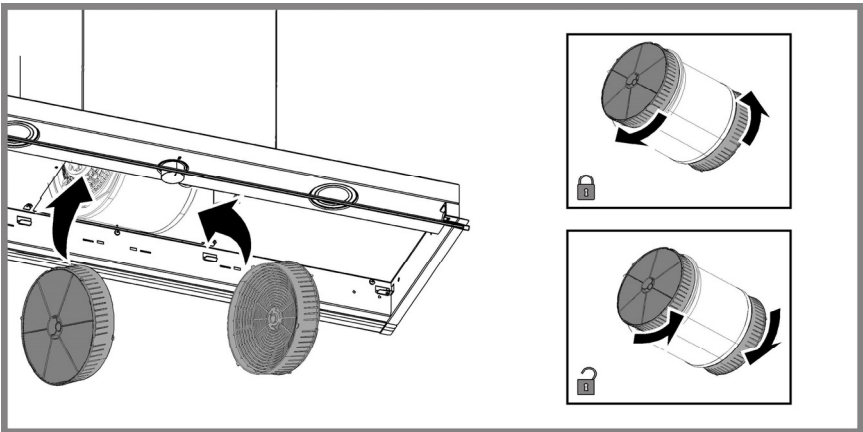
In any case it is necessary to replace the cartridge at least every four months.

The charcoal filter may NOT be washed or regenerated.

Circular carbon filter

Apply one on each side as cover to both the shield grids of the motor impeller, then turn clockwise.

For the disassembly, turn counter-clockwise.



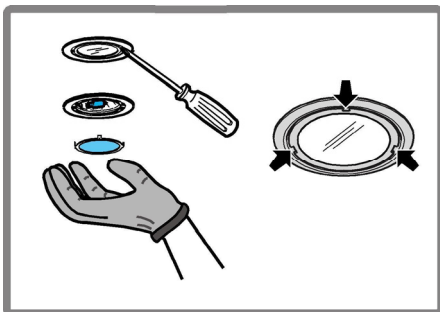
Replacing lamps

Disconnect the appliance from the electricity.

Warning! Prior to touching the light bulbs ensure they are cooled down.

Replace the old light bulb with the one of the same type as specified in the feature label or near the light lamp on the hood.

1. Using a flat head screwdriver or equivalent tool, carefully pry loose the light cover.
2. Remove the damaged light and replace with a new 12 Volt, 20 Watt (Maximum) halogen light made for a G-4 base SUITABLE FOR USE IN OPEN LUMINAIRES. Follow package directions and do not touch new light with bare hands.
3. Reinstall the light cover. (it will snap shut).



If the lights do not work, make sure that the lamps are fitted properly into their housings before you call for technical assistance.

Athena 60

The hood is equipped with a lighting system based on LED technology.

The LEDs guarantee an optimum lighting, a duration up to 10 times as long as the traditional lamps and allow to save 90% electrical energy.

For replacement, contact the technical service.

PART 6: BEFORE YOU CALL THE SERVICE CENTRE

If the appliance is not working as it should check the following recommendations for resolving the most common problems.

If the problem persists or it is not included in the table below, turn off the appliance and disconnect it from the power socket and contact an authorised service centre.

Problem	Solution
The range hood is not working.	Check that the power plug is properly inserted in a properly grounded power socket with the parameters 220 – 240 V ~ 50 Hz.
	Check that the motor power switch is in the "On" position.
The lights are not working.	Check that the power plug is properly inserted in a properly grounded power socket with the parameters 220 – 240 V ~ 50 Hz.
	Check that the motor power switch is in the "On" position.
	Check whether the light bulb or fluorescent tube is broken.
Exhaust power is weak.	Check whether the aluminium filters are dirty.
	Check the air outlet, it should be open.
	Check whether the carbon filter is not too dirty.
The range hood does not extract the air directly out (for models without an exhaust).	Check whether the aluminium filters are dirty.
	Check whether the carbon filter is not too dirty.

ATTENTION:

Use the range hood together with the stove. This will ensure the correct air exhaust. We recommend to leave the range hood running a few minutes longer than the stove to ensure that all odours are extracted.

PART 7: TECHNICAL SPECIFICATIONS

KAMPALA 90-60

Low speed	Air flow (m ³ /h)	195
	Noise level (dba)	49
Medium speed	Air flow (m ³ /h)	208
	Noise level (dba)	62
High speed	Air flow (m ³ /h)	368
	Noise level (dba)	60

Pressure (Pa): 157

Power (W): 164,5

Input Voltage: 220-240V ~ 50/60 Hz

Air outlet diameter:15 cm

ATHENA 60

Low speed	Air flow (m ³ /h)	256
	Noise level (dba)	49
Medium speed	Air flow (m ³ /h)	368
	Noise level (dba)	56
High speed	Air flow (m ³ /h)	647
	Noise level (dba)	68

Pressure (Pa): 414

Power (W): 149,5

Input Voltage: 220-240V ~ 50/60 Hz

Air outlet diameter:15 cm