



FIELDMANN[®]
Home & Garden Performance

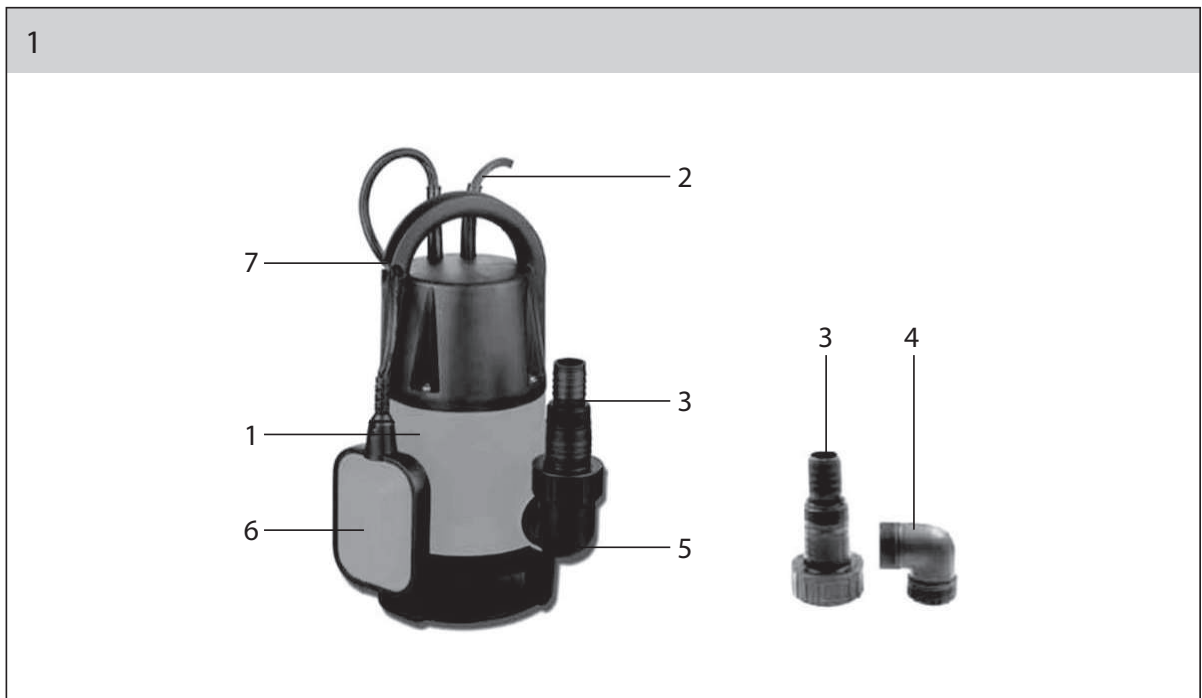


FVC 4001-EK



FVC 4002-EK

English	3
Čeština	13
Slovenčina	23
Magyarul	33
Polski	43
Deutsch	55
Español	67
Français	79
italiano	91
Lietuvių	103
Русский	115



Submersible Pump

USER'S MANUAL

Thank you for purchasing this submersible pump. Before you start using it, please, carefully read this user's manual and save it for possible future use.

CONTENTS

ILLUSTRATED ATTACHMENT.....	2
1. GENERAL SAFETY INSTRUCTIONS.....	4
Important safety notices	
Packaging	
User's manual	
2. MACHINE DESCRIPTION AND INCLUDED CONTENTS	4
3. PUTTING INTO OPERATION	5
4. OPERATING INSTRUCTIONS	6
Purpose of use	
Instructions for use	
Electrical safety	
5. MAINTENANCE AND STORAGE	7
6. TECHNICAL SPECIFICATIONS	8
7. WHAT TO DO "WHEN..."	9
8. DECLARATION OF CONFORMITY.....	10
9. DISPOSAL	12

1. GENERAL SAFETY REGULATIONS

Important safety notices

- ✿ Carefully unpack the product and take care not to throw away any part of the packaging before you find all the parts of the product.
- ✿ Read all warnings and instructions. Not following warnings or instructions may lead to injury by electrical shock, a fire and/or serious injuries.

⚠ ATTENTION! Protect yourself against electrical shock!

Packaging

The device is located in a package that prevents damage during transport. This package is a resource and so can be handed over for recycling.

Operating instructions

Before you start working with the submersible pump, read the following safety instructions and user's manual. Learn about all parts and the correct use of the device. Keep the user's manual in a safe place where it can be easily retrieved for future use. If you hand over the device to somebody else, do so together with the user's manual. Following the instructions in the included user's manual is a prerequisite for safe use of the garden machine. The user's manual also contains operating, maintenance and repair instructions.

The manufacturer takes no responsibility for accidents or damages resulting from not following the instructions in this manual.

2. MACHINE DESCRIPTION AND INCLUDED CONTENTS

Carefully take the machine out of the packaging and check whether all the following parts are present:

Machine description (see pic. 1)

- 1 - Pump body
- 2 - Power cord with electrical plug
- 3 - Hose connection with option to connect to a 1"/2" hose
- 4 - Pump tube bend
- 5 - Hose connection with the pump tube bend - assembled
- 6 - Switching float
- 7 - Height setting for the switching float

Supplied contents

- ✿ Submersible pump
- ✿ Operating instructions
- ✿ Hose connection with pump tube bend

If there are parts missing or they are damaged, please contact the vendor from whom you bought the machine.

3. PUTTING INTO OPERATION

Installation

Submersible pumps are installed as follows:

- ✿ in a permanent position with a rigid pipe.
- ✿ in a permanent position with a flexible pipe.
- ✿ You should never install the pump by hanging it on the outlet hose or power cord without additional support.
- ✿ The submersible pump must be hung on a holder, or it must be placed on the bottom of the tank.
- ✿ For the pump to function correctly the bottom part of the tank must be protected against any kind of dirt (applies to clean water pumps) and against any larger residue (for the size of dirty material see the technical specifications of the individual models).
- ✿ If the water level declines too much, any residue in the pumping pit will quickly dry out and prevent the pump from starting again. It is therefore essential to regularly inspect the submersible pump (by starting it).
- ✿ The float is set up in such a way that the pump may be started immediately.

After carefully reading these instructions you can prepare your pump for operation, however, keep the following points in mind:

- ✿ Check that the pump is standing on the bottom of the tank.
- ✿ Check that the outlet hose has been attached correctly.
- ✿ Check that the electrical connection is 230 V ~ 50 Hz.
- ✿ Check that the power socket is in good condition.
- ✿ Ensure that the moisture from the water can never get to the electrical power source.
- ✿ Prevent the pump from running empty.

Before putting the pump into operation, please check the following points:

- ✿ The switching float is installed in such a way that it is possible to reach the activation level or the shut off level with only a small amount of force. After checking this installation, place the pump into a tank with water and carefully lift the switching float by hand and then put it down again. During this activity watch that the pump has started and then turned itself off.

- ✿ Ensure that the distance between the switching float and the pawl holder is not too small. It is not possible to guarantee correct operation when the gap is too small.
- ✿ As soon as you set the switching float, check that it is not touching the underlay before the pump turns off.
- ✿ The activity position of the switching float can be set by adjusting the float in the holder of the pawl.

⚠ ATTENTION! Danger of running when empty.

📖 Note: The tank for the pump should have the minimum dimensions of 40 × 40 × 50 cm (height × width × depth), for the float to freely move with the switch.

Connecting to the mains

Your new submersible pump is equipped with a power plug, preventing discharge, meeting strict norms. The pump is designed to be connected to a safety power socket 230 V ~ 50 Hz. Check that it is in perfect condition. Insert the plug into the socket and the pump is ready for use.

⚠ ATTENTION! If the power cord or power plug are in any way damaged by an external action, do not repair the power cord and contact an authorised service centre!

⚠ ATTENTION! This repair should only be performed by an authorised service centre.

4. OPERATING INSTRUCTIONS

Purpose of use

- ✿ This pump may be used anywhere, where you wish to transfer water from one location to another, e.g. at home, agriculture, gardening, plumbing and for many other applications.
- ✿ This product is designed for private household use.
- ✿ It is not suitable for professional use.
- ✿ The submersible pump is suitable for work with water in a water distribution system and for chlorinated pool water.
- ✿ It is not suitable for work with waste water in sewage systems, salt water, aggressive or easily combustible substances, for work in food processing or as a pump for water jets on garden ponds.
- ✿ It is not designed for pumping drinking water!

Instructions for use

⚠ ATTENTION! Before setting up the machine or carrying out maintenance on the machine, or if the electric power cable has become jammed or is damaged, always disconnect it from the electric power socket!

📖 Note: Before using the submersible pump, please first carefully read all the safety

- ✿ If the pump is permanently installed, the working order of the switching float should be checked every 3 months.
- ✿ Any fibrous deposits that could deposit themselves inside the pump, should be removed using a current of water.
- ✿ Mud should be cleaned from the floor of the pumping pit every 3 months.
- ✿ Remove deposits on the float using clean water.

Cleaning the pump impeller

If an excessive amount of debris accumulates in the body of the pump, flush the pump out with clean water.





6. TECHNICAL SPECIFICATIONS

	FVC 4001-EK	FVC 4002-EK
Voltage/Frequency	230 V ~ 50 HZ	230 V ~ 50 HZ
Power input	750W	900 W
Maximum transferred amount	12 000 l/h	14 500 l/h
Maximum delivery	8 m	10 m
Maximum submersible depth	8 m	10 m
Maximum temperature of the media	35 °C	35 °C
Maximum value of solid particles in the media	Dia. 35 mm	Dia. 25 mm
Height of the switching point: On	Approx. 50 cm	Approx. 50 cm
Height of the switching point: Turned off	Approx. 5 cm	Approx. 5 cm

7. WHAT TO DO „WHEN...“

When...	Causes	Repairs
The pump does not start	<ul style="list-style-type: none"> No power supply The float does not switch 	<ul style="list-style-type: none"> Check the power supply Move the float to a higher position
Not flowing	<ul style="list-style-type: none"> The suction sieve is clogged The pressure hose is bent 	<ul style="list-style-type: none"> Flush out the suction sieve with a current of water Straighten the hose
The pump does not turn off	<ul style="list-style-type: none"> The float cannot fall lower 	<ul style="list-style-type: none"> Place the pump correctly on the floor of the tank
Insufficient flow	<ul style="list-style-type: none"> The suction sieve is clogged Lowered pump capacity due to dirty and silted water 	<ul style="list-style-type: none"> Clean the suction sieve Clean the pump and flush the hose with clean water
The pump turns off after a short time	<ul style="list-style-type: none"> The temperature fuse stops the pump due to dirty water The water is too hot. The temperature fuse stops the pump 	<ul style="list-style-type: none"> Disconnect the power plug. Clean the pump and the pumping pit Check that the maximum water temperature of 35 °C is not exceeded

 **Note:** Not covered by warranty:

-  Damage to the rotating mechanical gasket caused by running the pump empty, or by foreign objects in the water
-  Blocking of the running wheel by foreign objects
-  Damage during transport
-  Damage caused by unprofessional alterations by persons

8. DECLARATION OF CONFORMITY



FAST ČR, a.s.
Černokostecká 1621, 251 01 Říčany u Prahy, tel.: 323 204 111, fax: 323 204 110
E-mail: info@fastcr.cz
Cejl 31, 602 00 Brno, tel.: 531 010 292-3, fax: 531 010 294
E-mail: brno@fastcr.cz

CE DECLARATION OF CONFORMITY

Manufacturer:

FAST ČR, a.s.
Černokostecká 2111, 100 00 Praha 10, Czech Republic
VAT no: CZ26726548

Product / brand: Wastewater submersible Pump/ FIELDMANN

Type / model: FVC 4001-EK

230V AC/ 750W

The product is inline with regulations listed below:

EC Directive for low voltage electrical equipment No.2006/95/EC
EC Council Directive 2006/42/EC Machinery
EC Directive for Electromagnetic Compatibility (EMC) No.2004/108/EC
EC Directive for RoHS 2002/95/EC

and norms:

EN 60335-1:2002+A1+A11+A12+A2
EN 60335-2-41:2003+A1
EN 50366:2003+A1
EN 55014-1:2000+A1+A2
EN 55014-2:1997+A1
EN 61000-3-3:1995+A1+A2
EN 61000-3-2:2000+A2

CE label: 14

Company FAST ČR, a.s. is authorized to act on behalf of manufacturer.

Place of issuance: Prague

Name: Ing. Zdeněk Pech
Chairman of the Board

Date of issuance: 7.2.2014

Signature:

FAST FAST ČR, a.s.
Černokostecká 1621, 251 01 Říčany
IČO: 26726548 tel.: +420/ 323 204 111
DIČ: CZ26726548 fax: +420/ 323 204 110

Sídlo společnosti : Černokostecká 2111, 100 00, Praha 10
IČO: 26726548, DIČ: CZ26726548
Bankovní spojení: Komerční banka Praha 1, č.ú. 89309-011/0100



FAST ČR, a.s.
 Černokostecká 1621, 251 01 Říčany u Prahy, tel.: 323 204 111, fax: 323 204 110
 E-mail: info@fastcr.cz
 Cejl 31, 602 00 Brno, tel.: 531 010 292-3, fax: 531 010 294
 E-mail: brno@faster.cz

CE DECLARATION OF CONFORMITY

Manufacturer:

FAST ČR, a.s.
 Černokostecká 2111, 100 00 Praha 10, Czech Republic
 VAT no: CZ26726548

Product / brand: Wastewater submersible Pump/ FIELDMANN

Type / model: FVC 4002-EK

230V AC/ 900W

The product is inline with regulations listed below:

EC Directive for low voltage electrical equipment No.2006/95/EC
 EC Council Directive 2006/42/EC Machinery
 EC Directive for Electromagnetic Compatibility (EMC) No.2004/108/EC
 EC Directive for RoHS 2002/95/EC

and norms:

EN 60335-1:2002+A1+A11+A12+A2
 EN 60335-2-41:2003+A1
 EN 50366:2003+A1
 EN 55014-1:2000+A1+A2
 EN 55014-2:1997+A1
 EN 61000-3-3:1995+A1+A2
 EN 61000-3-2:2000+A2

CE label: 14

Company FAST ČR, a.s. is authorized to act on behalf of manufacturer.

Place of issuance: Prague

Name: Ing. Zdeněk Pech
 Chairman of the Board

Date of issuance: 7.2.2014

Signature:

FAST FAST ČR, a.s.
 Černokostecká 1621, 251 01 Říčany
 IČO: 26726548 tel.: +420/ 323 204 111
 DIČ: CZ26726548 fax: +420/ 323 204 110

Sídlo společnosti : Černokostecká 2111, 100 00, Praha 10
 IČO: 26726548, DIČ: CZ26726548
 Bankovní spojení: Komerční banka Praha 1, č.ú. 89309-011/0100

9. DISPOSAL

INSTRUCTIONS AND INFORMATION ON DISPOSAL OF USED PACKAGING.

Put any used package material to the place determined by the municipality for waste disposal.

DISPOSAL OF USED ELECTRIC AND ELECTRONIC EQUIPMENT



This symbol on products or accompanying documents means that used electric or electronic products must not be put to ordinary municipal waste. Hand over such products to determined collection points for proper disposal, restoration and recycling. Alternatively, in some countries of the European Union or other European countries you can return your products to your local dealer when you buy an equivalent new product. By dutiful disposal of this product you can preserve precious natural resources and you help prevent any potential adverse effects on the environment and human health which could be the results of wrong waste disposal. Ask your local authority or the nearest collection point for additional details. In case of improper disposal of this waste kind penalties can be imposed in accordance with national regulations.

For companies in the European Union countries

Should you want to dispose of electric and electronic devices, ask your dealer or vendor for necessary information.

Disposal in other countries outside the European Union

Should you want to dispose of this product, ask your local authorities or your dealer for necessary information about disposal method.



This product fulfils all basic requirements of the EU directives that apply to it.

Text, design and technical specifications can change without prior notice and we reserve the right for their change.