



FZR 4618 BV

---

English .....	3 - 20
Čeština.....	21 - 38
Slovenščina.....	39 - 56
Magyarul.....	57 - 74
Polski .....	75 - 92
Slovenščina.....	93 - 112

# Petrol Lawnmower

## USER'S MANUAL

**Thank you for purchasing this rotary petrol lawnmower. Before you start using it, please, carefully read this user's manual and save it for possible future use.**

### TABLE OF CONTENTS

1. GENERAL SAFETY INSTRUCTIONS.....	4
Important safety information.....	4
Packaging.....	4
User's Manual.....	4
2. EXPLANATION OF INSTRUCTION LABELS ON THE MACHINE.....	5
3. DESCRIPTION OF THE LAWNMOWER.....	7
4. ASSEMBLY/PREPARATION.....	7
Taking the lawnmower out of the cardboard packaging.....	7
5. ASSEMBLING THE LAWNMOWER.....	8
6. BEFORE STARTING THE LAWNMOWER.....	9
Adding oil.....	9
Adding fuel.....	9
7. CONTROLLING AND OPERATING THE LAWNMOWER.....	10
Starting the lawnmower.....	10
Controlling travel.....	11
Setting travel speed.....	11
Application range for the lawnmower.....	11
Mowing with the grass catcher.....	11
Mowing with rear discharge.....	11
Mowing with side discharge.....	12
Mulching.....	12
Setting the mowing height.....	12
Replacing the mowing blades.....	12
Changing the motor oil.....	13
8. SAFETY INSTRUCTIONS.....	13
General safety instructions.....	13
Instructions for use.....	14
9. MAINTENANCE.....	15
Lawn care.....	15
Maintenance.....	15
Servicing.....	16
Warranty does not cover.....	16
Storage.....	16
10. TECHNICAL SPECIFICATIONS.....	17
11. DECLARATION OF CONFORMITY.....	18
12. DISPOSAL.....	19

# 1. GENERAL SAFETY INSTRUCTIONS

## IMPORTANT SAFETY NOTICE


- ✿ Carefully unpack the product and take care not to throw away any part of the packaging before you find all the parts of the product.
- ✿ Store the machine in a dry place out of reach of children.
- ✿ Read all warnings and instructions. Not following warnings or instructions may lead to injury by electrical shock, a fire and/or serious injuries.

## PACKAGING

The product is packed in a package that prevents damage during transport. This package is a resource and so can be handed over for recycling.

## USER'S MANUAL

Before you start working with the machine, read the following safety and usage instructions. Acquaint yourself with the operating elements and the correct use of the machine. Keep the user's manual in a safe place where it can be easily retrieved for future use. Save the original packaging, including the internal packing material, warranty card and proof of purchase receipt at least for the duration of the warranty. If you need to ship this machine, pack it in the original cardboard box to ensure maximum protection during shipping or transport (e.g. when moving or when you need to send this product for repair).

 **Note:** If you hand over the machine to somebody else, do so together with the user's manual. Following the instructions in the included user's manual is a prerequisite for the proper use of the machine. The user's manual also contains operating, maintenance and repair instructions.

**The manufacturer takes no responsibility for accidents or damages resulting from not following the instructions in this manual.**

## 2. EXPLANATION OF INSTRUCTION LABELS ON THE MACHINE



Before putting into operation, please carefully read the user's manual.



Keep other persons away from the work area.



Attention, rotating blades! Protect yourself against the danger of injury to limbs.



Emission of toxic gasses. Do not use the petrol lawnmower in enclosed or unventilated areas.



Hot surfaces, risk of burns!



Before carrying out maintenance, turn off the engine and disconnect the spark plug.



Never add fuel while the engine is running.



Indicates that there is a risk of injury to persons, death or damage to the machine if instructions are not followed



Use hearing protection.  
Use eye protection.  
Use breathing organ protection.



Always maintain a distance from moving parts.



Travel along the slope on contours, not up and down.



Conforms to all relevant European directives.



Petrol is extremely flammable and therefore allow the engine to cool down for 2 minutes before adding more fuel.

### 3. DESCRIPTION OF THE LAWNMOWER (Fig. 1)

1. Start / brake lever
2. Travel lever
3. Choke control lever
4. Top part of the handle
5. Handle screws with quick couplers
6. Bottom part of the handle
7. Fuel tank cap
8. Air filter cover
9. Side discharge deflector
10. Cap with oil dipstick
11. Central mowing height adjustment lever
12. Grass catcher cover - rear deflector
13. Handle panel
14. Travel speed control lever

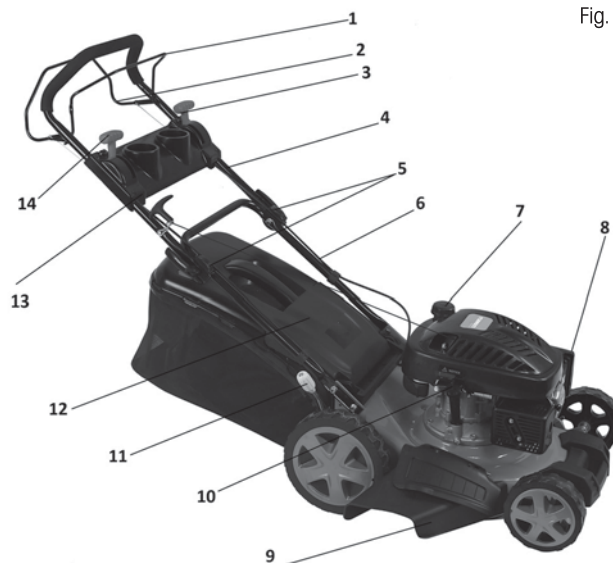


Fig. 1

### 4. ASSEMBLY/PREPARATION

Before assembling and starting the petrol lawnmower, first carefully read the entire user's manual and the instructions contained in it.

- ⚠ IMPORTANT INFORMATION:** The lawnmower is supplied **WITHOUT FUEL AND OIL** in the engine. Your new lawnmower was tested at the production plant meaning that a small amount of residual oil may be in the engine.

#### **TAKING THE LAWNMOWER OUT OF THE CARDBOARD PACKAGING**

Take the lawnmower out of the cardboard packaging and check that no loose parts are left in the packaging.

## 5. ASSEMBLING THE LAWNMOWER

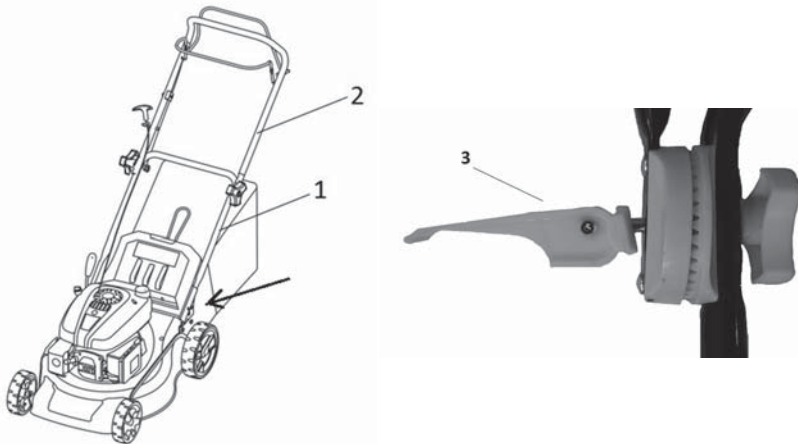
**⚠ IMPORTANT INFORMATION:** Carefully unfold the lawnmower handle, being careful not to pinch or damage the lawnmower's control cables.

### 1. ASSEMBLING THE HANDLE

1. Insert the bottom part of the handle (Fig. 2 – point 1) into the respective hole on the lawnmower (see arrow) and secure in place with 4 screws – two screws on each side of the handle.
2. Attach the top part of the handle (Fig. 2 – point 2) to the bottom part of the handle using the included screws with the quick coupler and wing nuts (Fig.2 – point 3).

**⚠ IMPORTANT NOTICE:** After loosening the quick coupler, it is possible to comfortably adjust the height of the handle and to select the most comfortable work position.

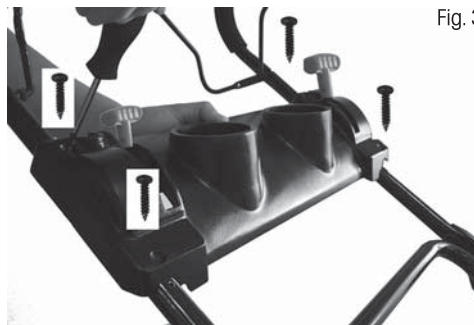
Fig. 2



### 2. INSTALLING THE HANDLE PANEL

Attach the plastic handle panel using the included screws (fig. 3).

Fig. 3





### 3. ASSEMBLING THE GRASS CATCHER

Secure the plastic hooks at the end of the textile part of the grass catcher into the steel frame (fig. 4).



Fig. 4

**⚠ IMPORTANT NOTICE:** The grass catcher is equipped with a full indicator. It is a plastic flap at the rear of the grass catcher. When the grass catcher is not full, the flap is raised. When it closes, it is necessary to tip out the grass catcher.

## 6. BEFORE STARTING THE LAWNMOWER

### ADDING OIL

**The lawnmower is supplied without motor oil. Before first start up, add motor oil SAE30 or 15W-40 (approx 600 ml) according to the following instructions.**

1. When pouring in the oil, place the lawnmower on a level surface.
2. Pull the cap with the oil dipstick out of the oil refill hole (Fig. 5).
3. After adding oil, put the dipstick back into the hole and tighten it.
4. The oil level must be between the upper (MAX) and lower (MIN) limit (Fig. 5).

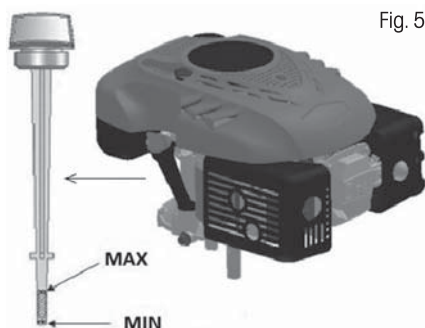


Fig. 5

**⚠ Caution!** DO NOT OVERFILL the oil tank, otherwise a large amount of smoke will come out of the exhaust when the lawnmower is started up.

**⚠ IMPORTANT INFORMATION:** Check the oil level before every use of the lawnmower. Add oil if necessary. Add oil up to the MAX level mark on the oil dipstick.

**⚠ IMPORTANT INFORMATION:** Replace the oil after the first 5 hours of operation and subsequently after every 25 hours of operation.

### ADDING FUEL

**The suitable type of fuel for this engine is NATURAL 95**

After unscrewing the fuel tank cap (Fig 1 – point 7), add the fuel, pouring it in all the way up to the collar of the fuel tank but do not overfill it.

Always add fresh, clean and approved lead-free petrol with an octane rating of at least 95.

- ⚠ **Caution!** In the event that you spill any oil or fuel on the lawnmower when refilling, wipe it away immediately. Do not store or add fuel or handle it in any way in the vicinity of an open fire.
- ⚠ **Caution!** Fuels mixed with alcohol or fuels with ethanol or methane additives may bind moisture to themselves, which may result in separation during storage and the formation of acids. Subsequently during storage the acid vapours may damage the fuel system of the lawnmower engine. These fuels must not be used in the lawnmower.
- ⚠ **IMPORTANT INFORMATION:** When not using the lawnmower for longer than 30 days, drain the fuel tank, start the engine and let it run until the fuel lines and the carburettor are empty (the engine will stop on its own). This will prevent future engine problems. Before using it again, add fresh fuel into the fuel tank. For more information, see chapter Storage instructions.

## 7. CONTROLLING AND OPERATING THE LAWNMOWER

### STARTING THE LAWNMOWER

1. When the motor is not warm, set the choke control lever to the Start position (Fig. 6 - point 1). When the motor is already warm, the lever may remain in the RUN position.
2. Pull the start/brake lever towards the handle and hold it there (Fig. 6 – point 2), then pull on the pull cord (Fig. 6 – point 3). The engine should start up after 3-4 pulls.
3. After starting the motor, set the choke control lever to the RUN position (Fig. 6 - point 4).
4. To turn off the engine, release the Start/brake lever.

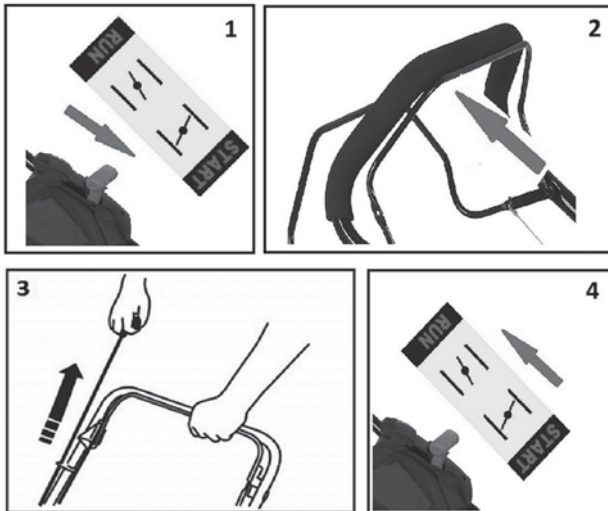


Fig. 6

- ⚠ **Caution!** A small amount of smoke may be emitted when the engine is started up for the first time as the protective layers in the engine are burnt off. This is completely normal and does not constitute a problem.

## CONTROLLING TRAVEL

The travel is controlled using the travel lever (Fig. 7 – point 1). When the lever is pulled to the handle, the lawnmower will start moving.

To stop, release the lever. This lawnmower has one constant speed.

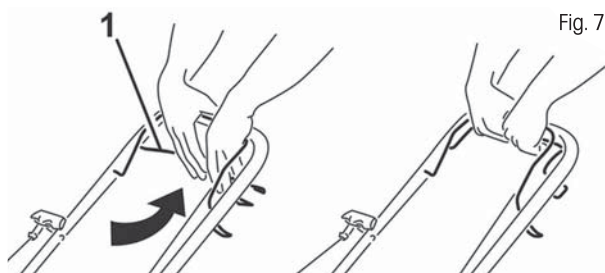


Fig. 7

## SETTING TRAVEL SPEED

This lawnmower is equipped with a variable speed gear that enables the travel speed to be adjusted. The setting is performed using the right lever on the handle panel (Fig. 8). There are 4 speeds to choose from. When the lever is set to position 1, the lawnmower travels at the slowest speed. When the lever is set to position 4, the lawnmower travels at the fastest speed.



Fig. 8

**⚠ Important information:** ONLY MOVE THE VARIABLE SPEED GEAR LEVER WHEN THE ENGINE IS RUNNING.

## APPLICATION RANGE FOR THE PETROL LAWNMOWER

- Mowing with collection of grass clippings in a grass catcher
- Mowing with rear discharge of grass clippings
- Mowing with side discharge
- Mulching - mowing with loose placement of grass clippings on the lawn

### MOWING WITH THE GRASS CATCHER

When the grass catcher is installed, grass clippings are discharged into the grass catcher

### MOWING WITH REAR DISCHARGE

Without the grass catcher installed, the grass catcher cover serves as a deflector that directs the movement of the grass clippings towards the ground. A row of grass clippings is thereby formed behind the lawnmower

## MOWING WITH SIDE DISCHARGE

**⚠ Caution!** Attach and remove the side discharge deflector only with the engine turned off.

Use your hand to lift the side discharge cover and attach the side discharge deflector (fig. 9). In order to mow with side discharge, it is necessary to install a mulching plug into the discharge chute.



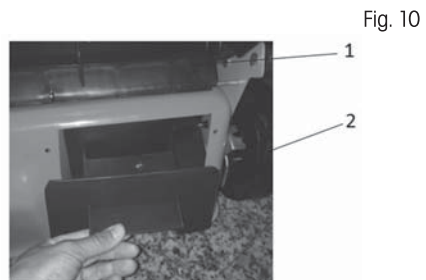
## MULCHING

**⚠ Caution!** Attach and remove the mulching plug only with the engine turned off.

**⚠ Caution!** Use only original mulching accessories when mulching.

1. Remove the grass catcher and hold the plastic grass catcher cover with your hand (Fig. 10 – point 1)
2. Install the mulching plug into the discharge chute (Fig. 10 – point 2) and make sure that the plug is seated firmly.

**⚠ IMPORTANT INFORMATION:** Do not mulch tall grass all at once, this will prevent overloading the lawnmower mechanism and the engine.



## SETTING THE MOWING HEIGHT

The mowing height is set centrally using the central mowing height adjustment lever (Fig. 1 – point 11). You can select from 5 positions in the range of 25 to 75 mm. The middle mowing height is the most suitable for the majority of lawns.

Lawn damage may result when the lowest height is set.

## REPLACING THE MOWING BLADES

**⚠ Caution!** For this task, we recommend that you contact an authorised service centre.

**⚠ Caution!** Prior to removing the blade, drain the oil from the oil tank.

If you wish to replace the mowing blade, remove the bolt (Fig. 11). Perform the installation according to the provided picture. Tighten the screw. The tightening torque is 40 Nm. When replacing the blade, replace the fastening bolt also.

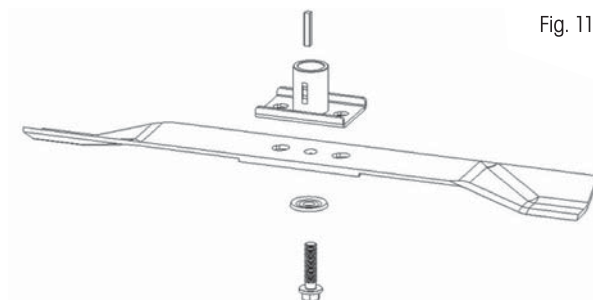


Fig. 11

## CHANGING THE MOTOR OIL

**⚠ Caution!** For this task, we recommend that you contact an authorised service centre.

The drain plug is located under the engine (Fig. 12 – point 1). Place a suitable container for catching the used oil under the engine and remove the plug. Tilt the lawnmower so that all the oil can drain from the oil tank. After draining the oil, put the plug back into the hole, making sure that the plug is securely in its place and wipe away any drops of spilled oil. Add type SAE30 or 15W-40 oil into the oil tank. When the oil dipstick is inserted into the hole and screwed in, the oil level should be between the Min and Max marks (Fig. 12). Do not overfill the oil tank. Start the engine and allow it to run for a short time. Stop the engine, wait 1 minute and remeasure the oil level in the oil tank. Add oil to the required level if necessary.

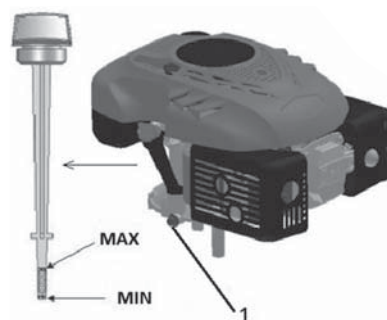


Fig. 12

# 8. SAFETY INSTRUCTIONS

## GENERAL SAFETY INSTRUCTIONS

- ✿ This product is used exclusively for mowing grass. Do not use it for any other purposes than those intended. Otherwise there is a risk of damaging it or an injury.
- ✿ Never allow children or persons who are not acquainted with the contents of this user's manual to work with the machine.
- ✿ The person operating the lawnmower is responsible for the safety of persons in the work area. Never operate the lawnmower in the near vicinity of other people, children or freely roaming animals.
- ✿ Before starting mowing, check the terrain where the lawnmower will be used and remove stones, wires, sticks, splinters, bones and other foreign objects, which could become caught in it or deflected or cause injuries.

## INSTRUCTIONS FOR USE

- ✿ All nuts, pins and bolts must be properly tightened so that the machine is in a safe and operational condition.
- ✿ Never use the lawnmower without the grass catcher or protective cover.
- ✿ Never use the lawnmower with loose mowing blades. Always check in advance that all respective bolts are securely tightened. Blunt blades must be sharpened evenly. Damaged blades must be replaced.
- ✿ When working with the lawnmower, wear long pants and solid footwear.
- ✿ Never start the lawnmower in enclosed or poorly ventilated areas where fumes could accumulate. Emissions from the engine contain carbon monoxide, which is life threatening.
- ✿ Work only during sufficient light conditions (in daylight or sufficient artificial lighting).
- ✿ Do not use the lawnmower when it is raining or if the grass is wet.
- ✿ Proceed especially carefully when mowing in elevated terrain (on a slope). Always mow perpendicular to the slope, parallel to the contour, and not directly up/down.
- ✿ Under no condition leave the lawnmower running without supervision; if you leave the lawnmower, turn off the engine.
- ✿ Never lift the rear part of the lawnmower when starting it and always keep your limbs away from the cutting deck or the rear grass ejection chute while the engine is running.
- ✿ Never modify the engine's speed setting.
- ✿ On lawnmowers with travel, release the travel lever before starting the engine.
- ✿ Never transport the lawnmower while its engine is running.
- ✿ Stop the engine and disconnect the spark plug in the following cases:
  - when performing any task whatsoever under the mowing deck or in the rear grass ejection chute.
  - when performing maintenance, repairs or inspecting the machine.
  - before carrying, lifting or transporting the lawnmower.
  - when you leave the lawnmower without supervision or you are getting ready to adjust the mowing height.
  - before removing and emptying the grass catcher.
  - when an impact with a foreign object occurs, stop the engine and carefully inspect to ensure that there is no damage. In the event of damage, take the lawnmower to a specialised service centre for repairs.

**⚠ ATTENTION:** The mowing blade continues to rotate for several seconds after the engine is turned off.

- if the lawnmower is vibrating abnormally (immediately identify and remedy the cause of the vibration).
- For the purpose of ensuring safe operation, regularly check that the pins, bolts and nuts on the lawnmower are securely tightened.

**⚠ ATTENTION:** FUEL IS A VERY FLAMMABLE LIQUID.

- ✿ Store fuel in a suitable container.
- ✿ Only add fuel in an open and well ventilated location. When handling fuel, do not smoke or use a mobile phone.
- ✿ Only add fuel when the engine is turned off. Never open the fuel tank or add fuel if the engine is hot or if it is running.

- ✿ If fuel is spilled, do not start the engine. Take the lawnmower away from the location where the fuel was spilled and take care to avoid possible ignition. Continue with work only after the spilled fuel has evaporated and the fuel fumes have dissipated;
- ✿ After adding fuel, securely tighten the fuel tank cap and the cap on the fuel canister.

**⚠ ATTENTION:** Before carrying out maintenance or repairs, stop the engine and disconnect the spark plug.

## 9. MAINTENANCE

### LAWN CARE

- ✿ Various forms of care are required depending on the type of grass area.
- ✿ Therefore, always read the instructions included on seed packages with respect to the mowing height for the growing conditions in the given locality.
- ✿ It is necessary to always keep in mind that the larger part of grass consists of a stem and one or more leaves. When the leaves are cut off completely, the lawn is damaged and the renewal of growth will be much more difficult.
- ✿ The following instructions generally apply:
  - excessively low mowing causes disruption to the roots and subsequently “spotty” appearance;
  - in summer, mowing must be higher to prevent the soil from drying out;
  - mowing wet grass may result in a lower efficiency of the blade due to grass catching on the blade and grass being ripped out of the ground;
  - in the event of exceptionally tall grass it is appropriate to perform the first mow at the maximum permitted mowing height of the machine and then mow again only after two or three days.
- ✿ The lawn will have a better appearance when it is mowed regularly over its entire area at the same height with alternating mowing directions.

### MAINTENANCE

- ✿ All nuts, pins and bolts must be properly tightened so that the machine is in a safe and operational condition. Regular maintenance is the basic prerequisite for ensuring safety of the user, maintain the lawnmower’s operating condition and high performance.
- ✿ Never store a machine with petrol in the fuel tank inside a building where the fumes could come within range of an open fire, sparks or sources of high temperature
- ✿ Before storing in any enclosed area, allow the engine to cool down.
- ✿ To reduce the risk of a fire, ensure that the lawnmower and in particular the engine, exhaust muffler, battery and also the location of spare fuel storage are free of grass, leaves or excessive amounts of lubricant.
- ✿ Regularly inspect the condition of the deflector and the grass catcher; replace if damaged.
- ✿ Drain the fuel in a well ventilated area when the engine has cooled down.
- ✿ When removing or installing the mowing blade, use thick work gloves.
- ✿ It is necessary to check the balance of the mowing blade every time that it is sharpened.

**⚠ ATTENTION:** Before carrying out maintenance or repairs, stop the engine and disconnect the spark plug.

- ✿ Regularly inspect the lawnmower and ensure that all grass deposits are removed from the underside of the chassis.

- ✿ Regularly lubricate the axle of the chassis and the bearings using a suitable lubricant.
- ✿ Regularly inspect the condition of the blades because they have a significant effect on the performance of the lawnmower. Blades should always be sharp and balanced.
- ✿ In regular intervals, check that all nuts and bolts are tightened. Nuts and bolts that are worn out or incorrectly tightened may cause serious damage to the engine or the frame.
- ✿ If the blade strongly impacts an obstacle, stop the lawnmower and take it to an authorised service centre.
- ✿ **BLADE:** the blade is made from pressed steel. To achieve the best possible mowing results, regularly sharpen the blades, approximately after every 25 hours of operation. Check that the blade is always correctly balanced. To do this, insert a steel axle (with a diameter of 2-3 mm) into the middle hole. If it is correctly levelled, the axis will remain in the horizontal position.
- ✿ If the blade does not remain in the horizontal position, replace it.
- ✿ When removing the blade, screw out the bolt, check the load bearing part of the blade. If the parts are worn out or damaged, replace them.

**⚠ ATTENTION:** Always use only original spare parts. Poor quality spare parts may cause serious damage to the lawnmower and create a safety hazard.

## SERVICE

- ✿ In the event that after purchasing the product you find any kind of defect, contact the service department. When using the product, follow the instructions contained in the included user's manual.
- ✿ A complaint will not be accepted if you modified the product or if you did not follow the instructions in the user's manual.

## WARRANTY DOES NOT COVER

- ✿ Normal wear and tear of operating parts of the machine as a result of its use
- ✿ Servicing tasks related to standard maintenance of the machine (e.g. cleaning, lubrication, tuning, etc.). Defects caused by external effects (e.g. climatic conditions, dustiness, inappropriate use, etc.)
- ✿ Mechanical damage resulting from the machine being dropped, impact, etc.
- ✿ Damages resulting from unprofessional handling, overloading, use of incorrect parts, inappropriate tools, etc.
- ✿ On returned products that were not properly protected against mechanical damage during transport, the risk of potential damage is borne exclusively by the owner.

## STORAGE

- ✿ If you will not be using the machine for an extended period of time, store it according to the following instructions. This will extend the lifetime of the machine.
- ✿ Fully drain fuel from the fuel tank and the carburettor.
- ✿ Screw out the spark plug and pour a small amount of motor oil into the socket. Gently pull the pull cord 2 to 3 times.
- ✿ Use a clean cloth to clean the exterior surfaces. Store the machine in a clean dry location.



## 10. TECHNICAL SPECIFICATIONS

Engine type	OHV, air cooled, 4-stroke
Rated power	2.50 kW
Engine rpm	3000 rpm
Displacement	139 cm <sup>3</sup>
Travel	4 speed levels
Starting	Pull cord
Fuel tank volume	1.2 litres
Recommended fuel	Petrol - lead-free, at least 95 octane
Oil tank volume	0.6 l
Recommended oil	SAE30, 15W-40
Mowing height adjustment	Central, 8 positions
Adjustable mowing height range	25-70 mm
Mowing coverage	460 mm
Wheel size	Front 178 mm, rear 254 mm
Grass catcher capacity	65 l
Chassis	steel
Declared noise level	96 dB (A)
Maximum vibration level	12.5 m/s (K=1.5)
Weight	31 kg

Amendments to text and technical parameters are reserved.

Changes in the text, design and technical specifications may be made without prior notice and we reserve the right to make such changes.

# 11. DECLARATION OF CONFORMITY

## ES DECLARATION OF CONFORMITY

We Fast ČR, a.s., Černokostelecká 251 01 Říčany u Prahy, tel.:323204111, hereby declare, that the Fieldmann FZR 4618 BV Petrol Lawnmower (year of manufacture is indicated on the rating label and is followed by the serial number of the machine, meets the directives COUNCIL DIRECTIVE:

2006/42/EC – 2004/108/EC – 2000/14/EC – 97/68/EC – 2002/88/EC


and was tested in compliance with the norms below:

EN 55012  
EN 836 – EN 836/A4  
EN ISO 5395 – 1:2013  
EN ISO 5395 – 2:2013  
EN ISO 14982:2009  
EN ISO 3744:2010  
ISO 11094:1991

FAST ČR, a.s. is authorised to act on behalf of the manufacturer.

CE label: 15

In Říčany, on 18. 9. 2015

<b>FAST</b> ICO: 26726548 DIČ: CZ26726548	FAST ČR, a.s. Černokostelecká 1621 251 01 Říčany u Prahy tel.: +420/ 323 204 111 fax: +420/ 323 204 110	
---	---	--

Petr Uher  
Quality Manager

## 12. DISPOSAL

### **INSTRUCTIONS AND INFORMATION REGARDING THE DISPOSAL OF USED PACKAGING MATERIALS**

Dispose of used packaging material at a site designated for waste in your municipality.



The machine and its accessories are manufactured from various materials, e.g. metal and plastic.

Take damaged parts to a recycling centre. Inquire at the relevant government department.



This product meets all the basic requirements of EU directives that apply to it.

Changes in the text, design and technical specifications may be made without prior notice and we reserve the right to make these changes.

User s manual in the original language.



# Benzínová sekačka na trávu

## NÁVOD K OBSLUZE

**Děkujeme vám, že jste si zakoupili tuto zahradní benzínovou rotační sekačku. Než ji začnete používat přečtěte si, prosím, pozorně tento návod k obsluze a uschovejte jej pro případ dalšího použití.**

## OBSAH

1. VŠEOBECNÉ BEZPEČNOSTNÍ PŘEDPISY .....	22
Důležitá bezpečnostní upozornění .....	22
Obal .....	22
Návod k použití .....	22
2. VYSVĚTLENÍ ŠTÍTKŮ S POKYNY NA STROJI .....	23
3. POPIS SEKAČKY .....	25
4. SESTAVENÍ/PŘÍPRAVA .....	25
Vyjmete sekačku z kartonového obalu .....	25
5. SESTAVENÍ SEKAČKY .....	26
6. PŘED SPUŠTĚNÍM SEKAČKY .....	27
Nalítí oleje .....	27
Doplnění paliva .....	27
7. OVLÁDÁNÍ A PROVOZ SEKAČKY .....	28
Start sekačky .....	28
Ovládání pojezdu .....	29
Nastavení rychlosti pojezdu .....	29
Rozsah použití benzínové sekačky .....	29
Sečení se sběrem trávy do koše .....	29
Sečení se zadním výhozem .....	29
Sečení s bočním odhozem .....	30
Mulčování .....	30
Nastavení výšky sečení .....	30
Výměna žacích nožů .....	30
Výměna motorového oleje .....	31
8. BEZPEČNOSTNÍ POKYNY .....	31
Všeobecné bezpečnostní pokyny .....	31
Pokyny k používání .....	32
9. ÚDRŽBA .....	33
Péče o trávník .....	33
Údržba .....	33
Servis .....	34
Záruka se nevztahuje .....	34
Uskladnění .....	34
10. TECHNICKÉ ÚDAJE .....	35
11. PROHLÁŠENÍ O SHODĚ .....	36
12. LIKVIDACE .....	37

# 1. VŠEOBECNÉ BEZPEČNOSTNÍ PŘEDPISY

## DŮLEŽITÁ BEZPEČNOSTNÍ UPOZORNĚNÍ

- ✿ Výrobek pečlivě vybalte a dejte pozor, abyste nevyhodili žádnou část obalového materiálu dříve, než najdete všechny součásti výrobku.
- ✿ Stroj uchovávejte na suchém místě mimo dosah dětí.
- ✿ Čtěte všechna upozornění a pokyny. Zanedbání při dodržování varovných upozornění a pokynů mohou mít za následek úraz elektrickým proudem, požár a/nebo těžká poranění.


## OBAL

Výrobek je umístěn v obalu bránícím poškozením při transportu. Tento obal je surovinou a lze jej proto odevzdat k recyklaci.

## NÁVOD K POUŽITÍ

Než začnete se strojem pracovat, přečtěte si následující bezpečnostní předpisy a pokyny k používání. Seznamte se s obslužnými prvky a správným používáním zařízení. Návod pečlivě uschovejte pro případ pozdější potřeby. Minimálně po dobu záruky doporučujeme uschovat originální obal včetně vnitřního balicího materiálu, pokladní doklad a záruční list.

V případě přepravy zabalte stroj zpět do originální krabice od výrobce, zajistíte si tak maximální ochranu výrobku při případném transportu (např. stěhování nebo odeslání do servisního střediska).

 **Poznámka:** Předáváte-li stroj dalším osobám, předejte jej společně s návodem. Dodržování přiloženého návodu k obsluze je předpokladem řádného používání stroje. Návod k obsluze obsahuje rovněž pokyny pro obsluhu, údržbu a opravy.

**Výrobce nepřebírá odpovědnost za nehody nebo škody vzniklé následkem nedodržování tohoto návodu.**

## 2. VYSVĚTLENÍ ŠTÍTKŮ S POKYNY NA STROJI



Před uvedením do provozu si prosím pozorně přečtěte návod k obsluze.



Udržujte ostatní osoby mimo pracovní oblast.



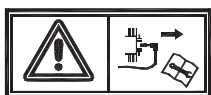
Pozor, rotující nož! Chraňte se před nebezpečím poranění končetin.



Emise toxických plynů. Benzínovou sekačku nepoužívejte v uzavřených či neventilovaných prostorách.



Horké povrchy, hrozí nebezpečí popálenin!



Před prováděním údržby vypněte motor a odpojte zapalovací svíčku.



Nikdy nedoplňujte palivo, pokud je motor spuštěný.



Upozorňuje, že v případě nedodržení pokynů hrozí nebezpečí zranění osob, smrti nebo poškození nástroje.



Používejte ochranu sluchu.  
Používejte ochranu zraku.  
Používejte ochranu dýchacích orgánů.



Neustále udržujte odstup od pohybujících se dílů.



Pohybujte se svahem po vrstevnici, ne nahoru a dolů.



Vyhovuje všem příslušným evropským směrnicím.

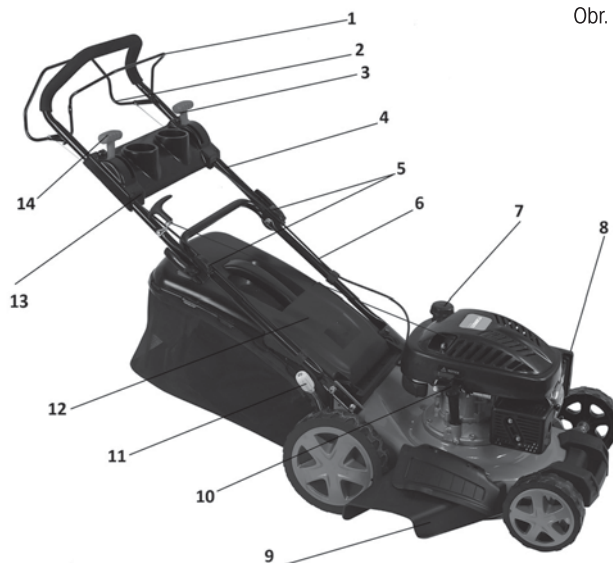


Benzín je extrémně hořlavý a proto před doplňováním paliva nechte motor 2 minuty vychladnout.



### 3. POPIS SEKAČKY (Obr 1)

1. Spínací / brzdová páka
2. Páka pojezdu
3. Páka ovládání sytiče
4. Horní díl madla
5. Šrouby madla s rychloupínáky
6. Spodní díl madla
7. Víčko palivové nádrže
8. Kryt vzduchového filtru
9. Deflektor bočního odhozu
10. Zátka s měrkou oleje
11. Páka centrálního nastavení výšky sečení
12. Kryt koše - zadní deflektor
13. Panel madla
14. Páka nastavení rychlosti pojezdu



Obr. 1

### 4. SESTAVENÍ/PŘÍPRAVA

Před sestavením a spuštěním benzínové sekačky si pečlivě přečtěte celý návod k obsluze a v něm uvedené pokyny.

**⚠ DŮLEŽITÁ INFORMACE:** Sekačka se dodává **BEZ PALIVA A OLEJE** v motoru.

Vaše nová travní sekačka byla vyzkoušena ve výrobním závodě, proto se v motoru může nacházet minimální zbytkové množství oleje.

#### **VYJMĚTE SEKAČKU Z KARTONOVÉHO OBALU**

Vyjměte sekačku z kartonového obalu a zkontrolujte, zda v obalu nezůstaly volné díly.

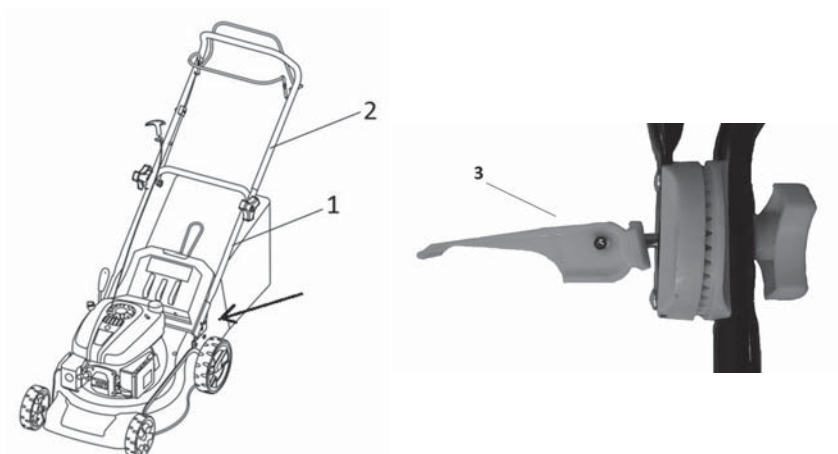
## 5. SESTAVENÍ SEKAČKY

**⚠ DŮLEŽITÁ INFORMACE:** Opatrně rozložte rukojeť sekačky a neskřípněte či nepoškodte ovládací lanka sekačky.

### 1. SESTAVENÍ MADLA

1. Zasuňte spodní část madla (Obr 2 – bod 1) do příslušných otvorů na sekačce (viz šipka) a zajistěte 4 příloženými šrouby na každou stranu madla.
2. Připojte horní část madla (Obr 2 – bod 2) ke spodní části madla pomocí příložených šroubů s rychloupínákem a křídlovými matkami (Obr 2 – bod 3).

**⚠ DŮLEŽITÉ UPOZORNĚNÍ:** Po uvolnění rychloupínáku lze pohodlně madlo výškově nastavit a zvolit si tak polohu, která bude pro práci nejpohodlnější.



### 2. INSTALACE PANELU MADLA

Připevňte plastový panel madla pomocí příložených šroubů (obr 3.)



### 3. SESTAVENÍ KOŠE

Zajistěte plastové háčky zakončení textilní části koše do ocelové konstrukce (obr 4.)



Obr. 4

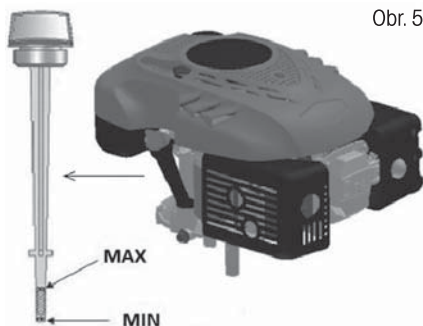
**⚠ DŮLEŽITÉ UPOZORNĚNÍ:** Koš je vybaven ukazatelem zaplnění. Jedná se o plastovou klapku v zadní části koše. Není-li koš zaplněn, klapka je přizvednutá. Při jejím zavření je nutné koš vysypat.

## 6. PŘED SPUŠTĚNÍM SEKAČKY

### NALITÍ OLEJE

**Sekačka se dodává bez motorového oleje. Před prvním startem nalijte motorový olej SAE30 nebo 15W-40 (cca 600 ml) dle následujících pokynů.**

1. Při nalévání oleje postavte sekačku na rovnou plochu.
2. Vyměňte zátku s měrkou oleje z otvoru pro dolévání oleje (Obr 5).
3. Po doplnění oleje měrku umístěte zpět do otvoru a dotáhněte ji.
4. Hladina oleje se musí pohybovat mezi horní (MAX) a dolní (MIN) mezí (Obr 5).



Obr. 5

**⚠ Upozornění!** NEPŘEPLŇTE zásobník oleje, jinak z výfuku po nastartování sekačky vyjde velké množství kouře.

**⚠ DŮLEŽITÁ INFORMACE:** Hladinu oleje kontrolujte před každým použitím sekačky. V případě potřeby olej doplňte. Olej doplňte po rysku MAX na měrce oleje.

**⚠ DŮLEŽITÁ INFORMACE:** Olej vyměňte po prvních 5 hodinách provozu a následně po každých 25 provozních hodinách

### DOPLNĚNÍ PALIVA

**Vhodné palivo pro tento typ motoru je NATURAL 95**

Po odšroubování víčka palivové nádrže (Obr 1 – bod 7) doplňte palivo, palivo dolijte až po hrdlo palivové nádrže, ale nádrž nepřepněte.

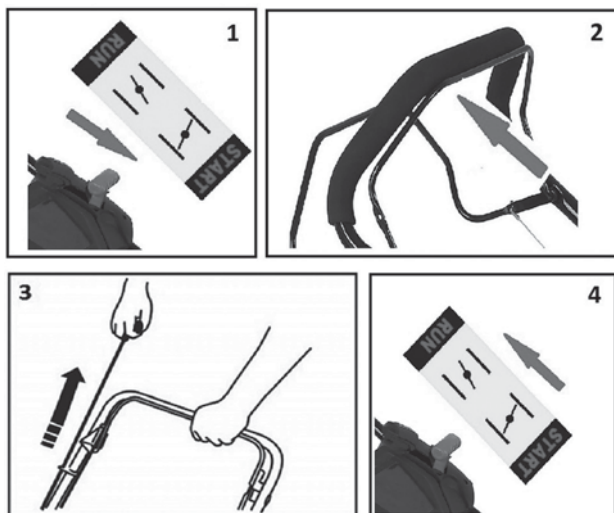
Vždy doplňujte čerstvý, čistý a schválený bezolovnatý benzin s oktanovým číslem min 95.

- ⚠ Upozornění!** V případě, že při dolévání oleje či paliva sekačku potřísníte, ihned ji otřete. Palivo neskladujte, nedoplňujte ani s ním nemanipulujte v blízkosti otevřeného ohně
- ⚠ Upozornění!** Paliva smíchaná s alkoholem či paliva s příměsí etanolu či metanu na sebe mohou vázat vlhkost, což může během skladování vést k separaci a tvorbě kyselin. Během skladování pak mohou výpary kyselin poškodit palivový systém motoru sekačky. Tyto paliva nesmějí být v sekačce používána.
- ⚠ DŮLEŽITÁ INFORMACE:** Pokud nebudete sekačku používat déle než 30 dní, vypusťte palivovou nádrž, nastartujte motor a nechejte jej běžet, dokud nedojde k vyprázdnění palivového potrubí a karburátoru (motor sám zhasne). Tento postup zabrání budoucím pořízím s motorem. Před opětovným použitím do nádrže dolijte čerstvé palivo. Více podrobností naleznete v kapitole Pokyny pro skladování.

## 7. OVLÁDÁNÍ A PROVOZ SEKAČKY

### START SEKAČKY

1. Není-li motor zahřátý, nastavte Páku ovládání sytiče do polohy Start (Obr 6 - bod 1). Je-li motor již zahřátý, může páka zůstat v poloze RUN.
2. Přitáhněte spínací/brzdovou páku k madlu a držte ji (Obr 6 – bod 2), poté zatáhněte za startovací lanko (Obr 6 – bod 3). Motor by měl nejpozději po 3-4 zataženích naskočit.
3. Po nastartování motoru nastavte Páku ovládání sytiče do polohy RUN (Obr 6 - bod 4).
4. Pro vypnutí motoru uvolněte Spínací/brzdovou páku.

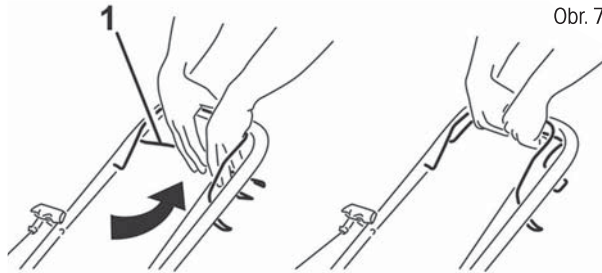


Obr. 6

- ⚠ Upozornění!** Po prvním nastartování motoru může dojít k mírnému výskytu kouře z důvodu vypalování ochranných vrstev v motoru. Jedná se o zcela běžnou situaci, která nepředstavuje žádný problém.

## OVLÁDÁNÍ POJEZDU

Pojezd se ovládá pomocí páky pojezdu (Obr 7 – bod 1) Po přitáhnutí páky k madlu se sekačka rozjede. Pro zastavení páku opět uvolníte.



Obr. 7

## NASTAVENÍ RYCHLOSTI POJEZDU

Tato sekačka je vybavena variátorem, který umožňuje změnu rychlosti pojezdu. Nastavení se provádí pravou pákou na panelu madla (Obr 8.). Vybírat lze ze 4 různých rychlostí. Nastavíme-li páku do pozice 1, sekačka jede nejpomaleji. Při nastavení páky do polohy 4 jede sekačka nejrychleji.



Obr. 8

**⚠ Důležité upozornění:** S PÁKOU VARIÁTORU MANIPULUJTE POUZE JE-LI MOTOR NASTARTOVÁN.

## ROZSAH POUŽITÍ BENZÍNOVÉ SEKAČKY

- Sečení se sběrem posečené trávy do travního koše
- Sečení se zadním výhozem posečené trávy
- Sečení s bočním odhozem
- Mulčování - sečení s volným ukládáním posečené trávy na trávník

## SEČENÍ SE SBĚREM TRÁVY DO KOŠE

S nasazeným sběrným košem proudí posečená tráva do koše

## SEČENÍ SE ZADNÍM VÝHOZEM

Bez nasazeného sběrného koše slouží kryt koše jako tzv. deflektor, který usměřňuje pohyb posečené trávy směrem k zemi. Za sekačkou tak vzniká řádek posečené trávy

## SEČENÍ S BOČNÍM ODHOZEM

**⚠ Upozornění!** Boční deflektor instalujte a odnímejte výhradně při vypnutém motoru.

Rukou zvednete kryt bočního odhozu a nasadíte boční deflektor (obr 9). Pro sečení s bočním odhozem je nutné instalovat do odhozového tunelu mulčovací záslepku.



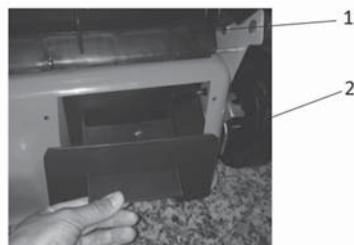
## MULČOVÁNÍ

**⚠ Upozornění!** Mulčovací záslepku instalujte a odnímejte výhradně při vypnutém motoru.

**⚠ Upozornění!** Při mulčování používejte výhradně originální mulčovací příslušenství.

1. Sejměte koš a rukou přidržte plastový kryt koše (Obr 10 – bod 1)
2. Nasadíte mulčovací záslepku do výhozového tunelu (Obr 10 – bod 2) a ujistěte se, že usazena opravdu pevně.

**⚠ DŮLEŽITÁ INFORMACE:** Nemulčujte přerostlou travu najednou, zabráníte tím přetížení mechanismu sekačky a motoru.



Obr. 10

## NASTAVENÍ VÝŠKY SEČENÍ

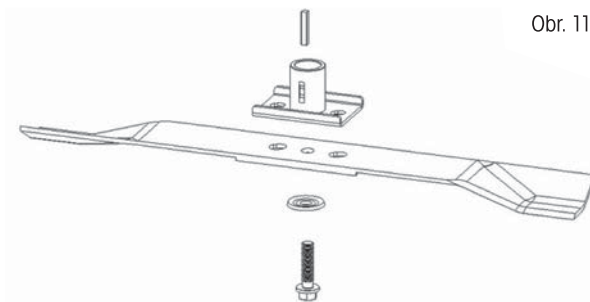
Výšku sečení nastavíte centrálně pomocí páky centrálního nastavení výšky sečení (Obr 1 – bod 11). Volit můžete z 5 pozic v rozsahu 25 - 75 mm. Pro sečení většiny trávníků je nejvhodnější střední výška sečení. Při nastavení nejnižší výšky může dojít k poškození trávníku.

## VÝMĚNA ŽACÍCH NOŽŮ

**⚠ Upozornění!** Za tímto účelem doporučujeme kontaktovat autorizované servisní středisko

**⚠ Upozornění!** Před demontáží nože vypusťte olej ze zásobníku oleje.

Chcete-li vyměnit žací nůž, demontujte šroub (Obr 11). Provedte montáž podle uvedeného obrázku. Dotáhněte šroub. Uťahovací moment činí 40 Nm. Při výměně nože současně vyměňte upínací šroub nože.



Obr. 11

## VÝMĚNA MOTOROVÉHO OLEJE

**⚠ Upozornění!** Za tímto účelem doporučujeme kontaktovat autorizované servisní středisko.

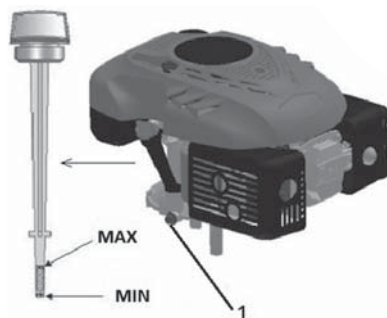
Vypouštěcí zátka se nachází pod motorem (Obr 12 – bod 1). Umístěte pod motor vhodnou nádobu na zachycení použitého oleje a sejměte zátku. Nakloňte sekačku tak, aby mohl vytéci všechen olej ze zásobníku.

Po vypuštění oleje umístěte zátku zpět do otvoru, ujistěte se, že je zátka umístěna řádně na svém místě, a otřete případné kapky rozlitého oleje.

Doplňte do zásobníku olej typu SAE30 nebo 15W-40.

Po vložení měrky oleje do otvoru a jejím utažením by měla být hladina oleje mezi ryskami Min a Max (Obr 12). Nepřepněte zásobník oleje.

Spusťte motor a nechte jej krátce běžet. Zastavte motor, počkejte 1 minutu a přeměřte hladinu oleje v zásobníku. V případě potřeby doplňte olej na požadovanou úroveň.



Obr. 12

# 8. BEZPEČNOSTNÍ POKYNY

## VŠEOBECNÉ BEZPEČNOSTNÍ POKYNY

- ☛ Tento výrobek slouží výlučně k sečení trávy. Nepoužívejte jej k jiným účelům, než pro který je určen. V opačném případě hrozí jeho poškození či úraz.
- ☛ Nikdy nedovolte dětem ani osobám neznalým tohoto návodu k použití se zařízením pracovat.
- ☛ Osoba, která obsluhuje sekačku, zodpovídá za bezpečnost osob v pracovním prostoru. Sekačku nikdy nepoužívejte v těsné blízkosti ostatních osob, dětí nebo volně pobíhajícího zvířectva.
- ☛ Před zahájením sečení zkontrolujte terén, na němž má být sekačka použita, a odstraňte z ní kameny, dráty, klacky, střepy, kosti a ostatní cizí tělesa, která by mohla být zachycena nebo vymršťována a způsobit zranění.

## POKYNY K POUŽÍVÁNÍ

- ☼ Všechny matky, svorníky a šrouby musí být řádně dotaženy tak, aby zařízení bylo v bezpečném a provozuschopném stavu.
- ☼ Sekačku nikdy nepoužívejte bez sběrného koše nebo ochranného krytu.
- ☼ Sekačku nikdy nepoužívejte s uvolněnými čepeli mi nože. Vždy se předem ujistěte, že jsou příslušné šrouby dobře utažené. Ztupené čepel e musejí být nabroušeny, a to rovnoměrně. Nože spoškozenými čepel e mi je potřeba vyměnit.
- ☼ Při práci se sekačkou používejte kalhoty s dlouhými nohavicemi a pevnou obuv.
- ☼ Sekačku nikdy nespouštějte v uzavřených anebo špatně větraných prostorách, kde se mohou hromadit výpary. Emise vycházející z motoru obsahují oxid uhelnatý, který je životu nebezpečný.
- ☼ Pracujte pouze při dostatečném osvětlení (za denního světla nebo při dostatečném umělém osvětlení).
- ☼ Sekačku nepoužívejte za deště nebo je-li tráva mokrá.
- ☼ Zvláště opatrně postupujte při sekání ve zvýšeném terénu (svah). Vždy sekejte napříč svahem, paralelně k vrstevnici, a nikoliv shora/zdola kolmo na ni.
- ☼ Sekačku zásadně nenechávejte běžet bez obsluhy, pokud sekačku opustíte, vypněte motor.
- ☼ Při startování nikdy nenadzdvihujte zadní část sekačky a nikdy nepřibližujte končetiny k podvozku či do otvoru pro zadní výhoz trávy, pokud je motor zapnutý.
- ☼ Nikdy neměňte nastavení rychlosti motoru.
- ☼ U sekaček s pojezdem, uvolněte pojezd před spuštěním motoru.
- ☼ Sekačku nikdy nepřemisťujte se spuštěným motorem.
- ☼ Zastavte motor a odpojte zapalovací svíčku v následujících případech:
  - před prováděním jakékoliv činnosti pod krytem sečení či otvorem pro zadní výhoz trávy.
  - před prováděním údržby, opravy či kontroly stroje.
  - před přenášením, zvedáním či přemisťováním sekačky.
  - ponecháváte-li sekačku bez dozoru anebo se chystáte upravit nastavení výšky sečení.
  - před demontáží a vyprazdňováním sběrného vaku.
  - dojde-li ke kolizi s cizím předmětem, zastavte motor a sekačku pečlivě prohlédněte, abyste vyloučili možnost poškození. V případě poškození, opravte sekačku do specializovaného servisu za účelem opravy.

**⚠ POZOR:** Po vypnutí motoru se žací nůž několik sekund i nadále točí.

- v případě abnormálních vibrací sekačky (okamžitě zjistěte a zajistěte odstranění příčiny vibrace).
- Za účelem zajištění bezpečného provozu pravidelně kontrolujte řádné utažení čepů, šroubů a matic na sekačce.

**⚠ POZOR:** PALIVO JE VYSOCE HOŘLAVÁ KAPALINA.

- ☼ Palivo uchovávejte v nádobě k tomu určené.
- ☼ Palivo doplňujte pouze na otevřeném či dobře větraném prostranství. Při manipulaci s palivem nekuřte, ani nepoužívejte mobilní telefon.
- ☼ Palivo doplňujte pouze za předpokladu, že je motor vypnutý. Nikdy neotvírejte palivovou nádrž a palivo nedoplňujte, je-li motor horký anebo v chodu.



- ☼ Pokud dojde k rozlití benzínu, motor nestartujte. Odstraňte sekačku z místa, kde bylo palivo rozlito, a vyvarujte se možného vznícení. V práci pokračujte až po odpaření rozlitého paliva a rozptýlení palivových výparů;
- ☼ Po doplnění paliva dobře utáhněte kryt palivové nádrže i víko kanystru s palivem.

**⚠ POZOR:** Před prováděním údržby nebo opravy zastavte motor a odpojte zapalovací svíčku.

## 9. ÚDRŽBA

### PÉČE O TRÁVNÍK

- ☼ Dle druhu travnaté plochy je zapotřebí použít různé způsoby péče;
- ☼ Proto po každé si přečtěte pokyny uvedené v baleníh osiv, týkající se výšky sečení vzhledem k podmínkám růstu v dané oblasti.
- ☼ Je třeba mít stále na paměti, že větší část trávy je složena ze stébla a jednoho nebo více listů. Při úplném odseknutí listů dojde k poškození trávníku a obnovení růstu bude mnohem obtížnější.
- ☼ Všeobecně platí následující pokyny:
  - příliš nízké sečení způsobuje narušení kořenů a následně „skvrnitým“ vzhledem;
  - v létě musí být sečení vyšší, aby se zabránilo vysychání půdy;
  - sečení mokré trávy může způsobit snížení účinnosti nože následkem zachytávání trávy na noži a vytrhávání travnatého porostu;
  - v případě mimořádně vysoké trávy je vhodné provést první sečení s maximální dovolenou výškou stroje a poté provést druhé sečení až po dvou nebo třech dnech.
- ☼ Trávník bude mít lepší vzhled pravidelným a celoplošným posekem stejné výšky a dodržováním střídání dvou směrů.

### ÚDRŽBA

- ☼ Všechny matky, svorníky a šrouby musí být řádně dotaženy tak, aby zařízení bylo v bezpečném a provozuschopném stavu. Pravidelná údržba je základním předpokladem pro zajištění bezpečnosti uživatele, zachování provozuschopnosti a vysokého výkonu sekačky.
- ☼ Zařízení s benzinem v nádrži nikdy neuskładňujte uvnitř budovy, kde by se výpary mohly dostat do dosahu otevřeného ohně, jiskry nebo zdroje vysoké teploty
- ☼ Před uskladněním v jakémkoliv uzavřeném prostoru nechte motor vychladnout.
- ☼ Z důvodu snížení rizika požáru zajistěte, aby sekačka a obzvláště motor, tlumič výfuku, baterie a také místo uložení náhradního benzínu byly zbaveny zbytků trávy, listů anebo nadměrného množství maziva.
- ☼ Kontrolujte pravidelně stav deflektoru a sběrného koše; v případě poškození je vyměňte.
- ☼ Vypouštění paliva provádějte v dobře větraném prostoru při vychladlém motoru.
- ☼ Při snímání či instalaci žacího nože používejte silné pracovní rukavice.
- ☼ Po každém nabroušení čepele žacího nože je nutné přezkontrolovat jeho vyvážení.

**⚠ POZOR:** Před prováděním údržby nebo opravy zastavte motor a odpojte zapalovací svíčku.

- ☼ Pravidelně sekačku kontrolujte a zajistěte, aby byly všechny nánosy trávy ve spodní části podvozku odstraňovány.
- ☼ Pravidelně mazejte osu podvozku a ložiska vhodným mazivem.

- ✿ Kontrolujte pravidelně stav nožů, protože mají podstatný vliv na výkon sekačky. Nože by měly být vždy ostré a vyvážené.
- ✿ V pravidelných intervalech kontrolujte dotažení všech šroubů a matic. Opořebené nebo špatně dotažené matice a šrouby mohou způsobit vážná poškození motoru nebo rámu.
- ✿ Pokud nůž prudce zasáhne překážku, sekačku zastavte a odveďte ji do autorizovaného servisu.
- ✿ NŮŽ: nůž je vyroben z lisované oceli. Abyste docílili co nejlepšího sečení, pravidelně nůž brusťe, přibližně po každých 25 hodinách provozu. Ujistěte se, že je nůž vždy správně vyvážený. Za tímto účelem vložte do středového otvoru nože železnou osičku (o průměru 2-3 mm). Je-li nůž správně vyvážen, osa se udrží v horizontální poloze.
- ✿ Pokud se nůž neudrží v horizontální poloze, vyměňte jej.
- ✿ Při demontáži nože odšroubujte šroub, zkontrolujte nosnou část nože. Pokud jsou části opořebené nebo poškozené, vyměňte je.

**⚠ POZOR:** Používejte pouze originální náhradní díly. Nekvalitní náhradní díly mohou způsobit vážná poškození sekačky a ohrozit vaši bezpečnost.

## SERVIS

- ✿ V případě, že po zakoupení výrobku zjistíte jakoukoli závadu, kontaktujte servisní oddělení. Při použití výrobku se řiďte pokyny uvedenými v příloženém návodu k použití.
- ✿ Na reklamaci nebude brán zřetel, pokud jste výrobek pozměnili či jste se neřídili pokyny uvedenými v návodu k použití.

## ZÁRUKA SE NEVZTAHUJE

- ✿ Na přirozené opotřebení funkční částí stroje v důsledku jeho používání
- ✿ Na servisní zásahy související se standardní údržbou stroje (např. čištění, mazání, seřízení apod.) Na závady způsobené vnějšími vlivy (např. klimatickými podmínkami, prašností, nevhodným použitím apod.)
- ✿ Na mechanická poškození v důsledku pádu stroje, nárazu, úderu do něj apod.
- ✿ Na škody vzniklé neodborným zacházením, přetížením, použitím nesprávných dílů, nevhodných nástrojů apod.
- ✿ U reklamovaných výrobků, které nebyly řádně zabezpečeny proti mechanickému poškození při přepravě nese riziko případné škody výhradně majitel.

## USKLADNĚNÍ

- ✿ Pokud stroj delší dobu nepoužíváte, přístroj uskladněte dle následujících pokynů. Prodloužíte tak životnost stroje.
- ✿ Kompletně vylijte palivo z palivové nádrže a karburátoru.
- ✿ Vyšroubujte zapalovací svíčku a nalijte do otvoru malé množství motorového oleje. Jemně potáhněte 2 až 3krát startér.
- ✿ Čistým hadrem vyčistěte vnější plochy. Stroj uskladněte na čistém a suchém místě.

## 10. TECHNICKÉ ÚDAJE

Typ motoru	OHV, vzduchem chlazený, 4 taktní
Nominální výkon	2,50 kW
Otáčky motoru	3000 ot./min
Zdvihový objem	139 cm <sup>3</sup>
Pojezd	4 rychlosti
Startování	Tahem
Objem palivové nádrže	1,2 litru
Doporučené palivo	Benzín- bezolovnatý, min 95 oktanů
Objem olejové nádrže	0,6 l
Doporučený olej	SAE30, 15W-40
Nastavení výšky sečení	Centrálně, 8 pozic
Nastavitelný rozsah výšky sečení	25-70 mm
Záběr sečení	460 mm
Velikost kol	Přední 178 mm, zadní 254 mm
Kapacita sběrného koše	65 l
Šasi	ocel
Deklarovaná úroveň hluku	96 dB(A)
Maximální úroveň vibrací	12,5 m/s (K=1,5)
Hmotnost	31 kg

Změna textu a technických parametrů vyhrazena.

Změny v textu, designu a technických specifikacích se mohou měnit bez předchozího upozornění a vyhražujeme si právo na jejich změnu

# 11. PROHLÁŠENÍ O SHODĚ

## ES PROHLÁŠENÍ O SHODĚ

My Fast ČR, a.s., Černokostelecká 251 01 Říčany u Prahy, tel.:323204111, závazně prohlašujeme, že benzínová sekačka Fieldmann FZR 4618 BV (rok výroby je vyznačen na typovém štítku a je následován výrobním číslem stroje, splňuje předpisy SMĚRNICE RADY:

2006/42/EC – 2004/108/EC – 2000/14/EC – 97/68/EC – 2002/88/EC

a byl testován ve shodě s níže uvedenými normami:

EN 55012

EN 836 – EN 836/A4

EN ISO 5395 – 1:2013

EN ISO 5395 – 2:2013

EN ISO 14982:2009

EN ISO 3744:2010

ISO 11094:1991

Firma FAST ČR, a.s. je oprávněna jednat jménem výrobce.

CE label: 15

V Říčanech dne 18. 9. 2015

**FAST**

ICO: 26726548  
DIČ: CZ26726548

FAST ČR, a.s.  
Černokostelecká 1621  
251 01 Říčany u Prahy  
tel.: +420/ 323 204 111  
fax: +420/ 323 204 110



Petr Uher  
manažer kvality

## 12. LIKVIDACE

### **POKYNY A INFORMACE O NAKLÁDÁNÍ S POUŽITÝM OBALEM**

Použitý obalový materiál odložte na místo určené obcí k ukládání odpadu.



Stroj a jeho příslušenství jsou vyrobeny z různých materiálů, např. z kovu a plastů.  
Poškozené součástky odevzdejte do tříděného sběru. Informujte se u příslušného úřadu.



Tento výrobek splňuje veškeré základní požadavky směrnic EU, které se na něj vztahují.

Změny v textu, designu a technických specifikacích se mohou měnit bez předchozího upozornění a vyhrazujeme si právo na jejich změnu.

Návod k použití v originálním jazyce.



# Benzínová kosačka na trávu

## NÁVOD NA OBSLUHU

**Ďakujeme vám, že ste si kúpili túto záhradnú benzínovú rotačnú kosačku. Skôr ako ju začnete používať, prečítajte si, prosím, pozorne tento návod na obsluhu a uschovajte ho pre prípad ďalšieho použitia.**

## OBSAH

1. VŠEOBECNÉ BEZPEČNOSTNÉ PREDPISY .....	40
Dôležité bezpečnostné upozornenia .....	40
Obal .....	40
Návod na použitie .....	40
2. VYSVETLENIE ŠTÍTKOV S POKYNNI NA STROJI .....	41
3. POPIS KOSAČKY .....	43
4. ZOSTAVENIE/PRÍPRAVA .....	43
Vyberte kosačku z kartónového obalu .....	43
5. ZOSTAVENIE KOSAČKY .....	44
6. PRED SPUSTENÍM KOSAČKY .....	45
Naliatie oleja .....	45
Doplnenie paliva .....	45
7. OVLÁDANIE A PREVÁDZKA KOSAČKY .....	46
Štart kosačky .....	46
Ovládanie pojazdu .....	47
Nastavenie rýchlosti pojazdu .....	47
Rozsah použitia benzínovej kosačky .....	47
Kosenie so zberom trávy do koša .....	47
Kosenie so zadným vyhadzovaním .....	47
Kosenie s bočným vyhadzovaním .....	48
Mulčovanie .....	48
Nastavenie výšky kosenia .....	48
Výmena žacích nožov .....	48
Výmena motorového oleja .....	49
8. BEZPEČNOSTNÉ POKYNY .....	49
Všeobecné bezpečnostné pokyny .....	49
Pokyny na používanie .....	50
9. ÚDRŽBA .....	51
Starostlivosť o trávnik .....	51
Údržba .....	51
Servis .....	52
Záruka sa nevzťahuje .....	52
Uskladnenie .....	52
10. TECHNICKÉ ÚDAJE .....	53
11. VYHLÁSENIE O ZHODE .....	54
12. LIKVIDÁCIA .....	55

# 1. VŠEOBECNÉ BEZPEČNOSTNÉ PREDPISY

## DÔLEŽITÉ BEZPEČNOSTNÉ UPOZORNENIA

- ✿ Výrobok starostlivo vybaľte a dajte pozor, aby ste nevyhodili žiadnu časť obalového materiálu, skôr ako nájdete všetky súčasti výrobku.
- ✿ Stroj uchovávajte na suchom mieste mimo dosahu detí.
- ✿ Čítajte všetky upozornenia a pokyny. Zanedbanie pri dodržiavaní varovných upozornení a pokynov môže mať za následok úraz elektrickým prúdom, požiar a/alebo ťažké poranenia.


## OBAL

Výrobok je umiestnený v obale brániacom poškodeniu pri transporte. Tento obal je surovinou a je preto možné ho odovzdať na recykláciu.

## NÁVOD NA POUŽITIE

Skôr ako začnete so strojom pracovať, prečítajte si nasledujúce bezpečnostné predpisy a pokyny na používanie. Oboznámte sa s obslužnými prvkami a správnym používaním zariadenia. Návod dôkladne uschovajte pre prípad neskoršej potreby. Minimálne počas záruky odporúčame uschovať originálny obal vrátane vnútorného baliaceho materiálu, pokladničný doklad a záručný list.

V prípade prepravy zabalte stroj späť do originálnej škatule od výrobcu, zaistíte si tak maximálnu ochranu výrobku pri prípadnom transporte (napr. sťahovanie alebo odoslanie do servisného strediska).

 **Poznámka:** Ak odovzdávate stroj ďalším osobám, odovzdajte ho spoločne s návodom. Dodržiavanie priloženého návodu na obsluhu je predpokladom riadneho používania stroja. Návod na obsluhu obsahuje tiež pokyny na obsluhu, údržbu a opravy.

**Výrobca nepreberá zodpovednosť za nehody alebo škody vzniknuté následkom nedodržiavania tohto návodu.**



## 2. VYSVETLENIE ŠTÍTKOV S POKYNYMI NA STROJI



Pred uvedením do prevádzky si, prosím, pozorne prečítajte návod na obsluhu.



Udržujte ostatné osoby mimo pracovnej oblasti.



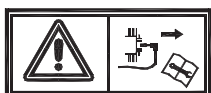
Pozor, rotujúce nože! Chráňte sa pred nebezpečenstvom poranenia končatín.



Emisia toxických plynov. Benzínovú kosačku nepoužívajte v uzatvorených či neventilovaných priestoroch.



Horúce povrchy, hrozí nebezpečenstvo popálenín!



Pred vykonávaním údržby vypnite motor a odpojte zapalovaciu sviečku.



Nikdy nedopĺňujte palivo, ak je motor spustený.



Upozorňujeme, že v prípade nedodržania pokynov hrozí nebezpečenstvo zranenia osôb, smrti alebo poškodenia nástroja.



Používajte ochranu sluchu.  
Používajte ochranu zraku.  
Používajte ochranu dýchacích orgánov.



Neustále udržiavajte odstup od pohybujúcich sa dielov.



Pohybujte sa svahom po vrstevnici, nie nahor a dole.



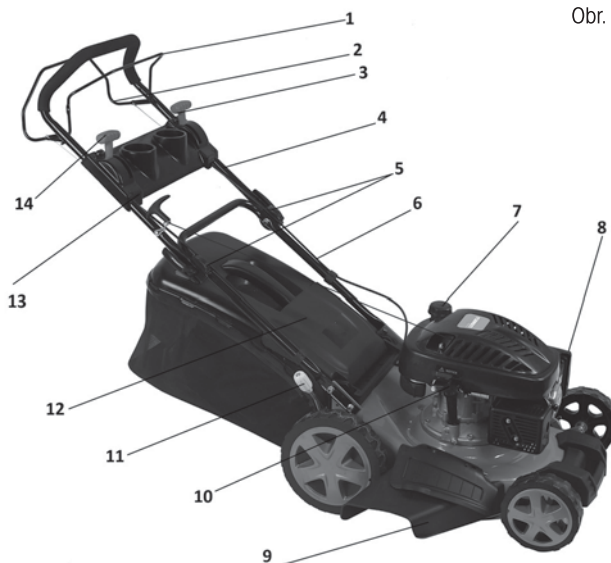
Vyhovuje všetkým príslušným európskym smerniciam.



Benzín je extrémne horľavý a preto pred doplňovaním paliva nechajte motor 2 minúty vychladnúť.

### 3. POPIS KOSAČKY (Obr. 1)

1. Spínacia/brzdová páka
2. Páka pojazdu
3. Páka ovládania sýtiča
4. Horný diel držadla
5. Skrutky držadla s rýchloupínadlami
6. Spodný diel držadla
7. Viečko palivovej nádrže
8. Kryt vzduchového filtra
9. Deflektor bočného vyhadzovania
10. Zátka s mierkou oleja
11. Páka centrálneho nastavenia výšky kosenia
12. Kryt koša – zadný deflektor
13. Panel držadla
14. Páka nastavenia rýchlosti pojazdu



Obr. 1

### 4. ZOSTAVENIE/PRÍPRAVA

Pred zostavením a spustením benzínovej kosačky si pozorne prečítajte celý návod na obsluhu a v ňom uvedené pokyny.

**⚠ DÔLEŽITÁ INFORMÁCIA:** Kosačka sa dodáva **BEZ PALIVA A OLEJA** v motore. Vaša nová kosačka na trávu bola vyskúšaná vo výrobnom závode, preto sa v motore môže nachádzať minimálne zvyškové množstvo oleja.

#### **VYBERTE KOSAČKU Z KARTÓNOVÉHO OBALU**

Vyberte kosačku z kartónového obalu a skontrolujte, či v obale nezostali voľné diely.

## 5. ZOSTAVENIE KOSAČKY

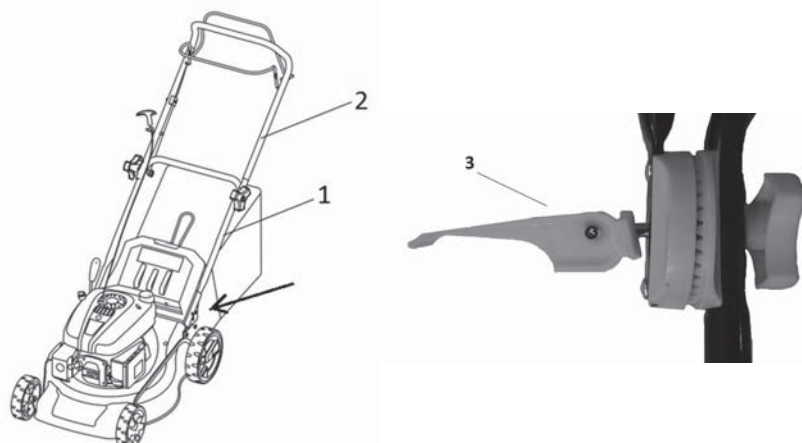
**⚠ DÔLEŽITÁ INFORMÁCIA:** Opatrne rozložte rukoväť kosačky a nepriškripte či nepoškodíte ovládacie lanká kosačky.

### 1. ZOSTAVENIE DRŽADLA

1. Zasuňte spodnú časť držadla (Obr. 2 – bod 1) do príslušných otvorov na kosačke (pozrite šípku) a zaistite 4 priloženými skrutkami – dve skrutky na každú stranu držadla.
2. Pripojte hornú časť držadla (Obr. 2 – bod 2) k spodnej časti držadla pomocou priložených skrutiek s rýchlopínačom a krídlovými maticami (Obr. 2 – bod 3).

**⚠ DÔLEŽITÉ UPOZORNENIE:** Po uvoľnení rýchlopínača je možné pohodlne držadlo výškovo nastaviť a zvoliť si tak polohu, ktorá bude na prácu najpohodlnejšia.

Obr. 2



### 2. INŠTALÁCIA PANELU DRŽADLA

Pripevnite plastový panel držadla pomocou priložených skrutiek (obr. 3.)

Obr. 3



### 3. ZOSTAVENIE KOŠA

Zaistíte plastové háčiky zakončenia textilnej časti koša do ocelevej konštrukcie (obr. 4.)



Obr. 4

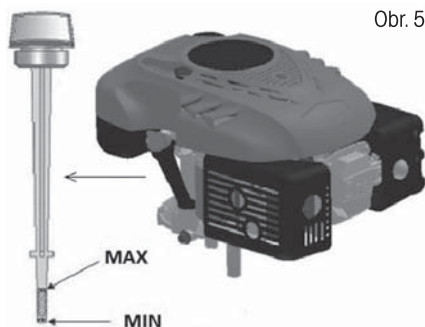
**⚠ DÔLEŽITÉ UPOZORNENIE:** Kôš je vybavený ukazovateľom zaplnenia. Ide o plastovú klapku v zadnej časti koša. Ak nie je kôš zaplnený, klapka je nadvihnutá. Pri jej zatvorení je nutné kôš vysypať.

## 6. PRED SPUSTENÍM KOSAČKY

### NALIATIE OLEJA

**Kosačka sa dodáva bez motorového oleja. Pred prvým štartom nalejte motorový olej SAE30 alebo 15W-40 (cca 600 ml) podľa nasledujúcich pokynov.**

1. Pri nalievaní oleja postavte kosačku na rovnú plochu.
2. Vyberte zátku s mierkou oleja z otvoru na dolievanie oleja (Obr. 5).
3. Po doplnení oleja mierku umiestnite späť do otvoru a dotiahnite ju.
4. Hladina oleja sa musí pohybovať medzi hornou (MAX.) a dolnou (MIN.) medzou (Obr. 5).



Obr. 5

**⚠ Upozornenie** NEPREPLŇTE zásobník oleja, inak z výfuku po naštartovaní kosačky vyjde veľké množstvo dymu.

**⚠ DÔLEŽITÁ INFORMÁCIA:** Hladinu oleja kontrolujte pred každým použitím kosačky. V prípade potreby olej doplňte. Olej doplňte po rysku MAX. na mierke oleja.

**⚠ DÔLEŽITÁ INFORMÁCIA:** Olej vymeňte po prvých 5 hodinách prevádzky a následne po každých 25 prevádzkových hodinách

### DOPLNENIE PALIVA

**Vhodné palivo pre tento typ motora je NATURAL 95**

Po odskrutkovaní viečka palivovej nádrže (Obr. 1 – bod 7) doplňte palivo, palivo dolejte až po hrdlo palivovej nádrže, ale nádrž nepreplňte.

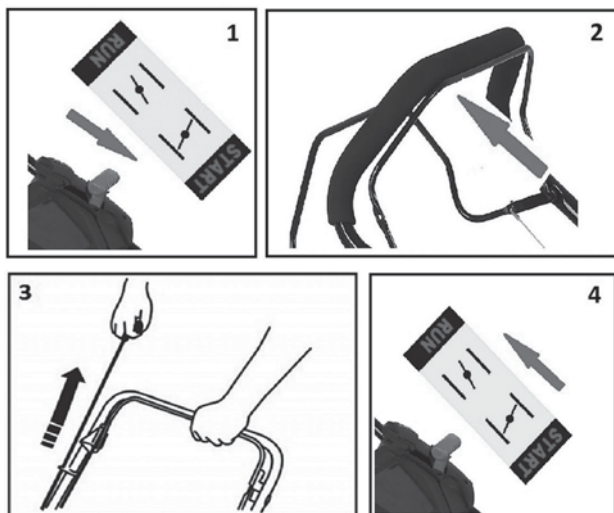
Vždy doplňujte čerstvý, čistý a schválený bezolovnatý benzín s oktánovým číslom min. 95.

- ⚠ Upozornenie** V prípade, že pri dolievaní oleja či paliva kosačku znečistíte, ihneď ju utrite. Palivo neskladujte, nedoplňujte ani s ním nemanipulujte v blízkosti otvoreného ohňa.
- ⚠ Upozornenie** Palivá zmiešané s alkoholom či palivá s prísadou etanolu či metánu na seba môžu viazať vlhkosť, čo môže počas skladovania viesť k separácii a tvorbe kyselín. Počas skladovania môžu výpary kyselín poškodiť palivový systém motora kosačky. Tieto palivá sa nesmú v kosačke používať.
- ⚠ DÔLEŽITÁ INFORMÁCIA:** Ak nebudete kosačku používať dlhšie než 30 dní, vypustite palivovú nádrž, naštartujte motor a nechajte ho bežať, kým nedôjde k vyprázdneniu palivového potrubia a karburátora (motor sám zhasne). Tento postup zabráni budúcim problémom s motorom. Pred opätovným použitím do nádrže dolejte čerstvé palivo. Viac podrobností nájdete v kapitole Pokyny pre skladovanie.

## 7. OVLÁDANIE A PREVÁDZKA KOSAČKY

### ŠTART KOSAČKY

1. Ak nie je motor zahriaty, nastavte páku ovládania sýtiča do polohy Štart (Obr. 6 – bod 1). Ak je motor už zahriaty, môže páka zostať v polohe RUN.
2. Pritiahnite spínaciu/brzdovú páku k držadlu a držte ju (Obr. 6 – bod 2), potom zatiahnite za štartovacie lanko (Obr. 6 – bod 3). Motor by mal najneskôr po 3 – 4 zatiahnutiach naskočiť.
3. Po naštartovaní motora nastavte páku ovládania sýtiča do polohy RUN (Obr. 6 – bod 4).
4. Na vypnutie motora uvoľnite spínaciu/brzdovú páku.

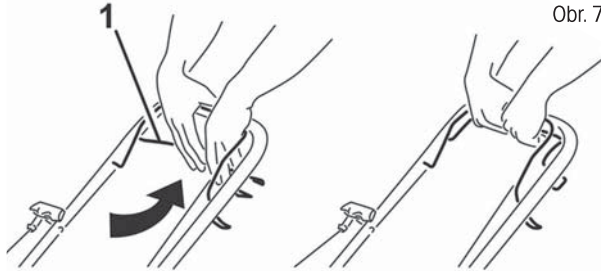


Obr. 6

- ⚠ Upozornenie** Po prvom naštartovaní motora môže dôjsť k miernemu výskytu dymu z dôvodu vypaľovania ochranných vrstiev v motore. Ide o celkom bežnú situáciu, ktorá nepredstavuje žiadny problém.

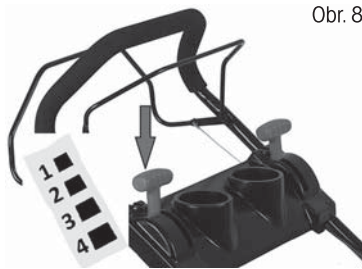
## OVĽÁDANIE POJAZDU

Pojazd sa ovláda pomocou páky pojazdu (Obr. 7 – bod 1). Po pritiahnutí páky k držadlu sa kosačka rozbehne. Na zastavenie páky opäť uvoľníte. Táto kosačka má jednu, konštantnú rýchlosť.



## NASTAVENIE RÝCHLOSTI POJAZDU

Táto kosačka je vybavená variátorom, ktorý umožňuje zmenu rýchlosti pojazdu. Nastavuje sa pravou pákou na paneli držadla (Obr. 8.). Vyberať je možné zo 4 rôznych rýchlostí. Ak nastavíme páku do pozície 1, kosačka ide najpomalšie. Pri nastavení páky do polohy 4 ide kosačka najrýchlejšie.



**⚠ Dôležité upozornenie:** S PÁKOU VARIÁTORA MANIPULUJTE, IBA AK JE MOTOR NAŠARTOVANÝ.

## ROZSAH POUŽITIA BENZÍNOVEJ KOSAČKY

- Kosenie so zberom pokosenej trávy do koša na trávu
- Kosenie so zadným vyhadzovaním pokosenej trávy
- Kosenie s bočným vyhadzovaním
- Mulčovanie – kosenie s voľným ukladaním pokosenej trávy na trávnik

### KOSENIE SO ZBEROM TRÁVY DO KOŠA

S nasadeným zberným košom prúdi pokosená tráva do koša

### KOSENIE SO ZADNÝM VYHADZOVANÍM

Bez nasadeného zberného koša slúži kryt koša ako tzv. deflektor, ktorý usmerňuje pohyb pokosenej trávy smerom k zemi. Za kosačkou tak vzniká riadok pokosenej trávy

## KOSENIE S BOČNÝM VYHADZOVANÍM

**⚠ Upozornenie** Bočný deflektor inštalujte a odoberajte výhradne pri vypnutom motore.

Rukou zdvihnite kryt bočného vyhadzovania a nasadíte bočný deflektor (obr. 9). Pre kosenie s bočným vyhadzovaním je nutné inštalovať do vyhadzovacieho tunela mulčovaciu záslepku.



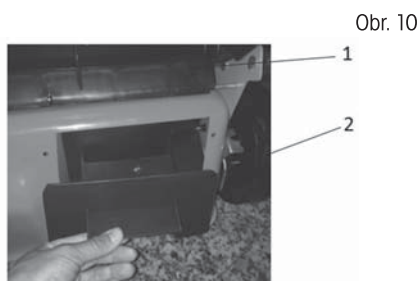
## MULČOVANIE

**⚠ Upozornenie** Mulčovaciu záslepku inštalujte a odoberajte výhradne pri vypnutom motore.

**⚠ Upozornenie** Pri mulčovaní používajte výhradne originálne mulčovacie príslušenstvo.

1. Odoberte kôš a rukou pridržte plastový kryt koša (Obr. 10 – bod 1)
2. Nasadíte mulčovaciu záslepku do vyhadzovacieho tunela (Obr. 10 – bod 2) a uistite sa, že je usadená naozaj pevne.

**⚠ DÔLEŽITÁ INFORMÁCIA:** Nemulčujte prerastenú trávnu naraz, zabránite tým preťaženiu mechanizmu kosačky a motora.



## NASTAVENIE VÝŠKY KOSENIA

Výšku kosenia nastavíte centrálnou pomocou páky centrálného nastavenia výšky kosenia (Obr. 1 – bod 11). Voliť môžete z 5 pozícií v rozsahu 25 – 75 mm. Pre kosenie väčšiny trávnikov je najvhodnejšia stredná výška kosenia.

Pri nastavení najnižšej výšky môže dôjsť k poškodeniu trávniku.

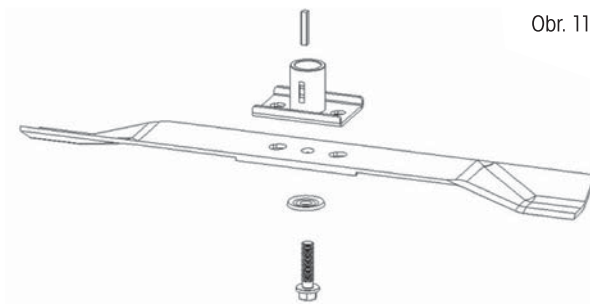
## VÝMENA ŽACÍCH NOŽOV

**⚠ Upozornenie** Na tento účel odporúčame kontaktovať autorizované servisné stredisko.

**⚠ Upozornenie** Pred demontážou noža vypustite olej zo zásobníka oleja.



Ak chcete vymeniť žací nôž, demontujte skrutku (Obr. 11). Vykonajte montáž podľa uvedeného obrázka. Dotiahnite skrutku. Uťahovací moment je 40 Nm. Pri výmene noža súčasne vymeňte upínaciu skrutku noža.



Obr. 11

## VÝMENA MOTOROVÉHO OLEJA

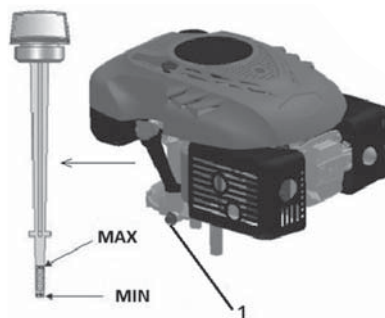
**⚠ Upozornenie** Na tento účel odporúčame kontaktovať autorizované servisné stredisko.

Vypúšťacia zátka sa nachádza pod motorom (Obr. 12 – bod 1). Umiestnite pod motor vhodnú nádobu na zachytenie použitého oleja a odoberte zátku. Nakloňte kosačku tak, aby mohol vytecť všetok olej zo zásobníka.

Po vypustení oleja umiestnite zátku späť do otvoru, uistite sa, že je zátka umiestnená riadne na svojom mieste, a utrite prípadné kvapky rozliateho oleja.

Doplňte do zásobníka olej typu SAE30 alebo 15W-40. Po vložení mierky oleja do otvoru a jej utiahnutím by mala byť hladina oleja medzi ryskami Min. a Max. (Obr. 12). Nepreplňte zásobník oleja.

Spustíte motor a nechajte ho krátko bežať. Zastavte motor, počkajte 1 minútu a premerajte hladinu oleja v zásobníku. V prípade potreby doplňte olej na požadovanú úroveň.



Obr. 12

# 8. BEZPEČNOSTNÉ POKYNY

## VŠEOBECNÉ BEZPEČNOSTNÉ POKYNY

- ☛ Tento výrobok slúži výlučne na kosenie trávy. Nepoužívajte ho na iné účely, než na aké je určený. V opačnom prípade hrozí jeho poškodenie či úraz.
- ☛ Nikdy nedovoľte deťom ani osobám bez znalosti tohto návodu na použitie so zariadením pracovať.
- ☛ Osoba, ktorá obsluhuje kosačku, zodpovedá za bezpečnosť osôb v pracovnom priestore. Kosačku nikdy nepoužívajte v tesnej blízkosti ostatných osôb, deťom alebo voľne pobežajúceho zvieratstva.
- ☛ Pred začatím kosenia skontrolujte terén, na ktorom sa má kosačka použiť, a odstráňte z neho kamene, drôty, konáriky, črepy, kosti a ostatné cudzie telesá, ktoré by sa mohli zachytiť alebo vyvrátiť a spôsobiť zranenie.

## POKYNY NA POUŽÍVANIE

- ✿ Všetky matice, svorníky a skrutky musia byť riadne dotiahnuté tak, aby zariadenie bolo v bezpečnom a prevádzkyschopnom stave.
- ✿ Kosačku nikdy nepoužívajte bez zberného koša alebo ochranného krytu.
- ✿ Kosačku nikdy nepoužívajte s uvoľnenými čepeľami noža. Vždy sa vopred uistite, či sú príslušné skrutky dobre utiahnuté. Otupeň čepele sa musia nabrúsiť, a to rovnomerne. Nože s poškodenými čepeľami je potrebné vymeniť.
- ✿ Pri práci s kosačkou používajte nohavice s dlhými nohavicami a pevnú obuv.
- ✿ Kosačku nikdy neštartujte v uzatvorených alebo zle vetraných priestoroch, kde sa môžu hromadiť výpary. Emisie vychádzajúce z motora obsahujú oxid uhoľnatý, ktorý je životu nebezpečný.
- ✿ Pracujte iba pri dostatočnom osvetlení (za denného svetla alebo pri dostatočnom umelom osvetlení).
- ✿ Kosačku nepoužívajte za dažďa alebo ak je tráva mokrá.
- ✿ Obzvlášť opatrne postupujte pri kosení vo zvýšenom teréne (svah). Vždy koste naprieč svahom, paralelne k vrstevnici, a nie zhora/zdola kolmo na ňu.
- ✿ Kosačku zásadne nenechávajte bežať bez obsluhy, ak kosačku opustíte, vypnite motor.
- ✿ Pri štartovaní nikdy nenadvihuje zadnú časť kosačky a nikdy nepribližujte končatiny k podvozku či do otvoru na zadné vyhadzovanie trávky, ak je motor zapnutý.
- ✿ Nikdy nemeňte nastavenie rýchlosti motora.
- ✿ Pri kosačkách s pojazdom uvoľnite pojazd pred spustením motora.
- ✿ Kosačku nikdy nepremiestňujte so spusteným motorom.
- ✿ Zastavte motor a odpojte zapalovaciu sviečku v nasledujúcich prípadoch:
  - pred vykonávaním akejkoľvek činnosti pod krytom kosenia či otvorom na zadné vyhadzovanie trávky.
  - pred vykonávaním údržby, opravy či kontroly stroja.
  - pred prenášaním, zdvíhaním či premiestňovaním kosačky.
  - ak ponechávate kosačku bez dozoru alebo sa chystáte upraviť nastavenie výšky kosenia.
  - pred demontážou a vyprázdňovaním zberného vaku.
  - Ak dôjde ku kolízii s cudzím predmetom, zastavte motor a kosačku starostlivo prezrite, aby ste vylúčili možnosť poškodenia. V prípade poškodenia, dopyvte kosačku do špecializovaného servisu na opravu.

**⚠ POZOR:** Po vypnutí motora sa žací nôž niekoľko sekúnd aj naďalej točí.

- v prípade abnormálnych vibrácií kosačky (okamžite zistíte a zaistíte odstránenie príčiny vibrácie).
- Na zaistenie bezpečnej prevádzky pravidelne kontrolujte riadne utiahnutie čapov, skrutiek a matíc na kosačke.

**⚠ POZOR:** PALIVO JE VYSOKO HORĽAVÁ KVAPALINA.

- ✿ Palivo uchovávajte v nádobe na to určenej.
- ✿ Palivo doplňujte iba na otvorenom či dobre vetranom priestranstve. Pri manipulácii s palivom nefajčite, ani nepoužívajte mobilný telefón.
- ✿ Palivo doplňujte iba za predpokladu, že je motor vypnutý. Nikdy neatvárajte palivovú nádrž a palivo nedoplňujte, ak je motor horúci alebo v chode.

- ☼ Ak dôjde k rozliatiu benzínu, motor neštartujte. Odstráňte kosačku z miesta, kde bolo palivo rozliate, a vyvarujte sa možného vznietenia. V práci pokračujte až po odparení rozliateho paliva a rozptýlení palivových výparov;
- ☼ Po doplnení paliva dobre utiahnite kryt palivovej nádrže aj veko kanistra s palivom.

**⚠ POZOR:** Pred vykonávaním údržby alebo opravy zastavte motor a odpojte zapalovaciu sviečku.

## 9. ÚDRŽBA

### STAROSTLIVOSŤ O TRÁVNIK

- ☼ Podľa druhu trávinatej plochy je potrebné použiť rôzne spôsoby starostlivosti;
- ☼ Preto zakaždým si prečítajte pokyny uvedené v baleniach osív, týkajúce sa výšky kosenia vzhľadom na podmienky rastu v danej oblasti.
- ☼ Je potrebné mať stále na pamäti, že väčšia časť trávy je zložená zo stebľa a jedného alebo viacerých listov. Pri úplnom odseknutí listov dôjde k poškodeniu trávniku a obnovenie rastu bude omnoho ťažšie.
- ☼ Všeobecne platia nasledujúce pokyny:
  - príliš nízke kosenie spôsobuje narušenie koreňov a následne „škvrnitý“ vzhľad;
  - v lete sa musí kosiť vyššie, aby sa zabránilo vysychaniu pôdy;
  - kosenie mokrej trávy môže spôsobiť zníženie účinnosti noža následkom zachytávania trávy na noži a vytrhávania trávinateho porastu;
  - v prípade mimoriadne vysokej trávy je vhodné vykonať prvé kosenie s maximálnou dovolenou výškou stroja a potom vykonať druhé kosenie až po dvoch alebo troch dňoch.
- ☼ Trávnik bude mať lepší vzhľad pravidelným a celoplošným kosením rovnakej výšky a dodržiavaním striedania dvoch smerov.

### ÚDRŽBA

- ☼ Všetky matice, svorníky a skrutky musia byť riadne dotiahnuté tak, aby zariadenie bolo v bezpečnom a prevádzkyschopnom stave. Pravidelná údržba je základným predpokladom na zaistenie bezpečnosti používateľa, zachovanie prevádzkyschopnosti a vysokého výkonu kosačky.
- ☼ Zariadenie s benzínom v nádrži nikdy neuskladňujte vnútri budovy, kde by sa výpary mohli dostať do dosahu otvoreného ohňa, iskry alebo zdroja vysokej teploty.
- ☼ Pred uskladnením v akomkoľvek uzatvorenom priestore nechajte motor vychladnúť.
- ☼ Z dôvodu zníženia rizika požiaru zaistíte, aby kosačka a obzvlášť motor, tlmič výfuku, batéria a tiež miesto uloženia náhradného benzínu boli zbavené zvyškov trávy, lístia alebo nadmerného množstva maziva.
- ☼ Kontrolujte pravidelne stav deflektora a zberného koša; v prípade poškodenia ich vymeňte.
- ☼ Palivo vypúšťajte v dobre vetranom priestore pri vychladnutom motore.
- ☼ Pri odoberaní či inštalácii žacieho noža používajte hrubé pracovné rukavice.
- ☼ Po každom nabrúsení čepele žacieho noža je nutné prekontrolovať jeho vyváženie.

**⚠ POZOR:** Pred vykonávaním údržby alebo opravy zastavte motor a odpojte zapalovaciu sviečku.

- ☼ Pravidelne kosačku kontrolujte a zaistíte, aby sa všetky nánosy trávy v spodnej časti podvozka odstraňovali.
- ☼ Pravidelne mažte os podvozka a ložiská vhodným mazivom.

- ✿ Kontrolujte pravidelne stav nožov, pretože majú podstatný vplyv na výkon kosačky. Nože by mali byť vždy ostré a vyvážené.
- ✿ V pravidelných intervaloch kontrolujte dotiahnutie všetkých skrutiek a matíc. Opatrebované alebo zle dotiahnuté matice a skrutky môžu spôsobiť vážne poškodenia motora alebo rámu.
- ✿ Ak nôž prudko zasiahne prekážku, kosačku zastavte a odvezte ju do autorizovaného servisu.
- ✿ NŌŽ: nôž je vyrobený z lisovanej ocele. Aby ste docielili čo najlepšie kosenie, pravidelne nôž brúste, približne po každých 25 hodinách prevádzky. Uistite sa, či je nôž vždy správne vyvážený. Na tento účel vložte do stredového otvoru noža železnú osičku (s priemerom 2 – 3 mm). Ak je nôž správne vyvážený, os sa udrží v horizontálnej polohe.
- ✿ Ak sa nôž neudrží v horizontálnej polohe, vymeňte ho.
- ✿ Pri demontáži noža odskrutkujte skrutku, skontrolujte nosnú časť noža. Ak sú časti opotrebované alebo poškodené, vymeňte ich.

**⚠ POZOR:** Používajte iba originálne náhradné diely. Nekvalitné náhradné diely môžu spôsobiť vážne poškodenia kosačky a ohroziť vašu bezpečnosť.

## SERVIS

- ✿ V prípade, že po kúpe výrobku zistíte akúkoľvek poruchu, kontaktujte servisné oddelenie. Pri použití výrobku sa riadte pokynmi uvedenými v priloženom návode na použitie.
- ✿ Na reklamáciu sa nebude brať zreteľ, ak ste výrobok pozmenili či ste sa neriadili pokynmi uvedenými v návode na použitie.

## ZÁRUKA SA NEVŽŤAHUJE

- ✿ Na prirodzené opotrebenie funkčnej časti stroja v dôsledku jeho používania.
- ✿ Na servisné zásahy súvisiace so štandardnou údržbou stroja (napr. čistenie, mazanie, nastavenie a pod.), na poruchy spôsobené vonkajšími vplyvmi (napr. klimatickými podmienkami, prašnosťou, nevhodným použitím a pod.).
- ✿ Na mechanické poškodenia v dôsledku pádu stroja, nárazu, úderu doň a pod.
- ✿ Na škody vzniknuté neodborným zaobchádzaním, preťažením, použitím nesprávnych dielov, nevhodných nástrojov a pod.
- ✿ Pri reklamovaných výrobkoch, ktoré neboli riadne zabezpečené proti mechanickému poškodeniu pri preprave nesie riziko prípadnej škody výhradne majiteľ.

## USKLADNENIE

- ✿ Ak stroj dlhší čas nepoužívate, prístroj uskladnite podľa nasledujúcich pokynov. Predĺžite tak životnosť stroja.
- ✿ Kompletne vylejte palivo z palivovej nádrže a karburátora.
- ✿ Vyskrutkujte zapalovaciu sviečku a nalejte do otvoru malé množstvo motorového oleja. Jemne potiahnite 2- až 3-krát štartér.
- ✿ Čistou handrou vyčistite vonkajšie plochy. Stroj uskladnite na čistom a suchom mieste.

## 10. TECHNICKÉ ÚDAJE

Typ motora	OHV, vzduchom chladený, 4-taktný
Nominálny výkon	2,50 kW
Otáčky motora	3000 ot./min
Zdvihový objem	139 cm <sup>3</sup>
Pojazd	4 rýchlosti
Štartovanie	Ťahom
Objem palivovej nádrže	1,2 litra
Odporúčané palivo	Benzín – bezolovnatý, min. 95 oktánov
Objem olejovej nádrže	0,6 l
Odporúčaný olej	SAE30, 15W-40
Nastavenie výšky kosenia	Centrálne, 8 pozícií
Nastaviteľný rozsah výšky kosenia	25-70 mm
Záber kosenia	460 mm
Veľkosť kolies	Predné 178 mm, zadné 254 mm
Kapacita zberného koša	65 l
Šasi	oceľ
Deklarovaná úroveň hluku	96 dB(A)
Maximálna úroveň vibrácií	12,5 m/s (K=1,5)
Hmotnosť	31 kg

Zmena textu a technických parametrov vyhradená.

Zmeny v texte, dizajne a technických špecifikáciách sa môžu meniť bez predchádzajúceho upozornenia a vyhradzujeme si právo na ich zmenu

# 11. VYHLÁSENIE O ZHODE

## ES VYHLÁSENIE O ZHODE

My, Fast ČR, a. s., Černokostelecká 251 01 Říčany u Prahy, tel.: 323204111, závazne vyhlasujeme, že benzínová kosačka Fieldmann FZR 4618 BV (rok výroby je vyznačený na typovom štítku a je nasledovaný výrobným číslom stroja) spĺňa predpisy SMERNICE RADY:

2006/42/EC – 2004/108/EC – 2000/14/EC – 97/68/EC – 2002/88/EC

a bol testovaný v zhode s nižšie uvedenými normami:

EN 55012

EN 836 – EN 836/A4

EN ISO 5395 – 1:2013

EN ISO 5395 – 2:2013

EN ISO 14982:2009

EN ISO 3744:2010

ISO 11094:1991

Firma FAST ČR, a. s., je oprávnená konať v mene výrobcu.

CE label: 15

V Říčanech, dňa 18. 9. 2015

**FAST**  
ICO: 26726548  
DIČ: CZ26726548

FAST ČR, a.s.  
Černokostelecká 1621  
251 01 Říčany u Prahy  
tel.: +420/ 323 204 111  
fax: +420/ 323 204 110



Petr Uher  
manažér kvality

## 12. LIKVIDÁCIA

### POKYNY A INFORMÁCIE O ZAOBCHÁDZANÍ S POUŽITÝM OBALOM

Použitý obalový materiál odložte na miesto určené obcou na ukladanie odpadu.



Stroj a jeho príslušenstvo sú vyrobené z rôznych materiálov, napr. z kovu a plastov.  
Poškodené súčiastky odovzdajte do triedeného zberu. Informujte sa na príslušnom úrade.



Tento výrobok spĺňa všetky základné požiadavky smerníc EÚ, ktoré sa naň vzťahujú.

Zmeny v texte, dizajne a technických špecifikáciách sa môžu meniť bez predchádzajúceho upozornenia a vyhradzuje si právo na ich zmenu.

Návod na použitie v originálnom jazyku.





# Benzines fűnyíró

## HASZNÁLATI ÚTMUTATÓ

**Köszönjük, hogy megvásárolta ezt a kerti benzines rotációs fűnyírót. Mielőtt használni kezdi, figyelmesen olvassa el ezt a használati útmutatót és őrizze meg a későbbiekre.**

## TARTALOM

1. ÁLTALÁNOS BIZTONSÁGI ELŐÍRÁSOK.....	58
Fontos biztonsági figyelmeztetések .....	58
Csomagolás .....	58
Használati útmutató .....	58
2. A GÉPEN TALÁLHATÓ, UTASÍTÁSOKAT TARTALMAZÓ CÍMKÉK MAGYARÁZATA .....	59
3. A FŰNYÍRÓ LEÍRÁSA.....	61
4. ÖSSZEÁLLÍTÁS/ELŐKÉSZÍTÉS .....	61
Vegye ki a fűnyírót a kartondobozból .....	61
5. A FŰNYÍRÓ ÖSSZEÁLLÍTÁSA .....	62
6. A FŰNYÍRÓ BEKAPCSOLÁSA ELŐTT.....	63
Olaj betöltése.....	63
Üzemanyag feltöltése.....	63
7. A FŰNYÍRÓ KEZELÉSE ÉS ÜZEMELTETÉSE .....	64
A fűnyíró beindítása .....	64
A kerékmeghajtás kezelése.....	65
A haladási sebesség beállítása.....	65
A benzines fűnyíró használatának módjai .....	65
Vágás és a fű összegyűjtése a kosárba.....	65
Vágás és a fű hátsó kidobása.....	65
Vágás oldalsó kidobással.....	66
Mulcsozás.....	66
A vágási magasság beállítása .....	66
A vágókések cseréje .....	66
Olajcseré .....	67
8. BIZTONSÁGI UTASÍTÁSOK .....	67
Általános biztonsági előírások .....	67
Használati utasítás .....	68
9. KARBANTARTÁS .....	69
A gyepergő gondozása.....	69
Karbantartás.....	69
Szerviz .....	70
A jótállás nem vonatkozik .....	70
Tárolás .....	70
10. MŰSZAKI ADATOK.....	71
11. MEGFELELŐSÉGI NYILATKOZAT .....	72
12. MEGSEMMISÍTÉS .....	73

# 1. ÁLTALÁNOS BIZTONSÁGI ELŐÍRÁSOK

## FONTOS BIZTONSÁGI FIGYELMEZTETÉSEK


- ✿ A terméket gondosan csomagolja ki és ügyeljen arra, hogy ne dobjon ki semmit, mielőtt minden alkatrészt meg nem talál.
- ✿ A gépet tartsa száraz helyen és gyermekektől távol.
- ✿ Olvassa el az összes figyelmeztetést és utasítást. A figyelmeztetések és utasítások figyelmen kívül hagyásának áramütés, tűz és/vagy komoly sérülés lehet a következménye.

## CSOMAGOLÁS

A termék védőcsomagolásban van, hogy az átszállítás közbeni sérüléstől védve legyen. Ez a csomagolás újrahasznosítható anyagból készült.

## HASZNÁLATI ÚTMUTATÓ

Mielőtt használni kezdi a gépet, olvassa el a következő biztonsági előírásokat és a használati utasításokat. Ismerkedjen meg a kezelőelemekkel és a készülék helyes használatával. Az útmutatót gondosan őrizze meg későbbi szükség esetére. Javasoljuk, hogy legalább a jótállás idejére őrizze meg a termék eredeti dobozát, csomagolását, pénztárbizonylatát és jótállási jegyét. Szállítás esetén csomagolja vissza az eredeti gyári csomagolásba, így maximális védelmet biztosít számára (pl. költözés vagy szervizbe küldés esetén).

 **Megjegyzés:** Ha a gépet újabb személynek adja el, az útmutatóval adja át. A használati útmutató utasításainak betartása a gép helyes használatának alapja. A használati útmutató szintűgy tartalmaz utasításokat a kezelésre, karbantartásra és javításra vonatkozóan.

**A gyártó nem felel az útmutató utasításainak be nem tartásából adódó balesetekért vagy károkért.**

## 2. A GÉPEN TALÁLHATÓ, UTASÍTÁSOKAT TARTALMAZÓ CÍMKÉK MAGYARÁZATA



Üzembe helyezés előtt figyelmesen olvassa el a használati útmutatót.



Másokat tartson távol a munkaterülettől.



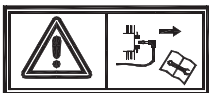
Vigyázat, forgó kések! Védekezzen a végtagok sérülésének veszélye ellen.



Mérgező gázok kibocsátása. A benzines fűnyírót ne használja zárt, vagy nem szellőző helyen.



Forró felületek, égési sérülés veszélye!



Karbantartás előtt kapcsolja ki a motort és csavarja ki a gyújtógyertyát.



Soha ne töltsön bele üzemanyagot, ha jár a motor.



Arra figyelmeztet, hogy az utasítások be nem tartása esetén személyi sérülés, halál, vagy a gép sérülésének veszélye fenyeget.



Használjon fülvédőt.  
Védje a látását.  
Gondoskodjon a légutak védelméről.



Állandóan tartson biztonságos távolságot a mozgó alkatrészekről.



Lejtőn a szintvonalak mentén, ne felfelé és lefelé haladjon.



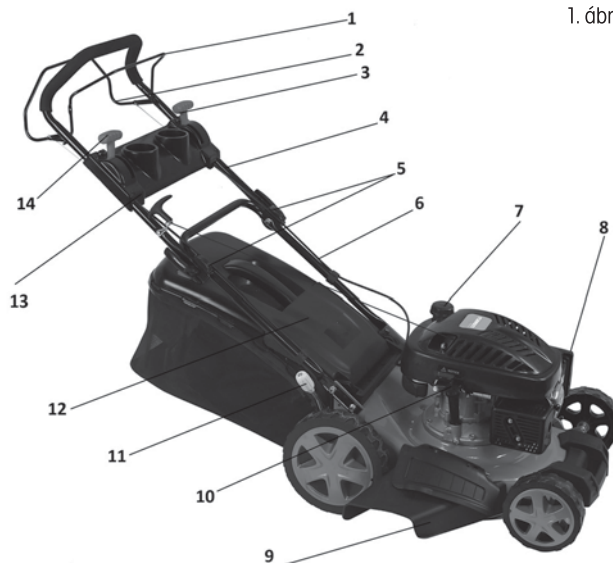
Megfelel minden vonatkozó európai irányelvnek.



A benzin rendkívül gyúlékony, ezért üzemanyag betöltése előtt hagyja a motort 2 percig hűlni.

### 3. A FŰNYÍRÓ LEÍRÁSA (1. ábra)

1. Kapcsoló- / fékkar
2. A futómű karja
3. A szívató karja
4. Felső fogantyúrész
5. Gyorskioldós csavarok a fogantyúhoz
6. Alsó fogantyúrész
7. Az üzemanyagtartály fedele
8. A légszűrő fedele
9. Oldalkidobó terelőlap
10. Dugasz nívópálcával
11. A vágási magasság központi beállítására szolgáló kar
12. A kosár fedele - hátsó terelőlap
13. Fogantyú-panel
14. A haladási sebességet beállító kar



1. ábra

### 4. ÖSSZEÁLLÍTÁS/ELŐKÉSZÍTÉS

A benzines fűnyíró összeállítása és beindítása előtt figyelmesen olvassa el a teljes használati útmutatót és a benne szereplő utasításokat.

**▲ FONTOS INFORMÁCIÓK:** A fűnyírót **ÜZEMANYAG ÉS OLAJ NÉLKÜL** szállítjuk.

Az Ön új fűnyírója a gyártóüzemben kipróbálásra került, ezért a motorban minimális mennyiségű maradék olaj lehet.

#### VEGYE KI A FŰNYÍRÓT A KARTONDOBOZBÓL

Vegye ki a fűnyírót a kartondobozból és ellenőrizze, nem maradtak-e a dobozban alkatrészek.

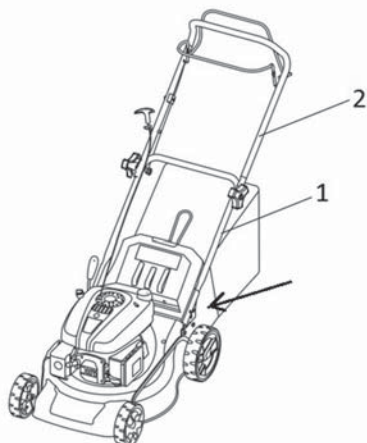
## 5. A FŰNYÍRÓ ÖSSZEÁLLÍTÁSA

**⚠ FONTOS INFORMÁCIÓK:** Óvatosan nyissa szét a fűnyíró fogantyúját, ne csípje be és ne sértse meg a fűnyíró kezelőszinórját.

### 1. A FOGANTYÚ ÖSSZEÁLLÍTÁSA

1. Dugja be a fogantyú alsó részét (2. ábra – 1. pont) a megfelelő nyílásokba a fűnyíron (ld. a nyilat) és rögzítse a 4 mellékelt csavarral – két-két csavar a fogantyú mindkét oldalán.
2. Csatlakoztassa a fogantyú felső részét (2. ábra – 2. pont) a fogantyú alsó részéhez a mellékelt gyorskioldós csavarok és a szárnyas anyacsavarok segítségével (2. ábra – 3. pont).

**⚠ FONTOS FIGYELMEZTETÉS:** A gyorskioldó kioldása után a fogantyút könnyen beállíthatja abba a magasságba, amelyben a legkényelmesebben tud dolgozni.



2. ábra



### 2. A FOGANTYÚ-PANEL FELSZERELÉSE

Rögzítse a fogantyú műanyag paneljét a mellékelt csavarok segítségével (3. ábra)



3. ábra

### 3. A KOSÁR ÖSSZEÁLLÍTÁSA

Rögzítse a kosár textil részének szélein levő műanyag kampókat az acélszerkezethez (4. ábra)



4. ábra

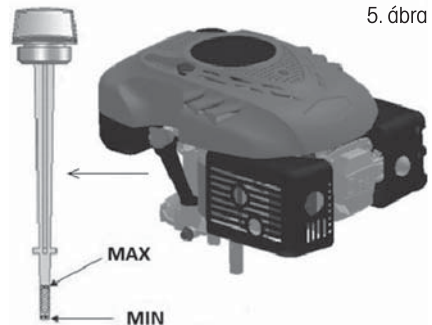
**⚠ FONTOS FIGYELMEZTETÉS:** A kosár feltöltésgelzővel van ellátva. Ez egy műanyag csapószelep a kosár hátsó részében. Ha a kosár nincs tele, a csapó nyitva van. Ha becsukódik, a kosarat ki kell üríteni.

## 6. A FŰNYÍRÓ BEKAPCSOLÁSA ELŐTT

### OLAJ BETÖLTÉSE

**A fűnyírót motorolaj nélkül szállítjuk. Az első beindítás előtt töltsön bele SAE30 vagy 15W-40 motorolajat (kb. 600 ml-t) az alábbiak szerint.**

1. Az olaj beöntésekor állítsa a fűnyírót egyenes felületre.
2. Vegye ki a dugaszt a nivópálcával az olajtöltő nyílásból (5. ábra).
3. Az olaj beöntése után tegye vissza a nivópálcát a nyílásba és csavarja be.
4. Az olajszintnek a felső (MAX) és az alsó (MIN) határérték között kell lennie (5. ábra).



5. ábra

**⚠ Figyelem!** NE TÖLTSE TÚL az olajtartályt, különben a beindítás után a kipufogóból nagy mennyiségű füst távozik.

**⚠ FONTOS INFORMÁCIÓK:** Az olajszintet a fűnyíró minden használata előtt ellenőrizze. Szükség esetén töltsse fel az olajat a nivópálca MAX jelzéséig töltsse.

**⚠ FONTOS INFORMÁCIÓK:** A motorolajat az első 5 óra üzemelés után, majd minden 25 üzemóra után cserélje ki

### ÜZEMANYAG FELTÖLTÉSE

**Ehhez a motortípushoz a megfelelő üzemanyag a NATURAL 95**

Az üzemanyagtartály fedelének lecsavarása után (1. ábra – 7. pont) töltsse be az üzemanyagot. Az üzemanyagot az üzemanyagtartály nyílásáig töltsse, de ne töltsse túl a tartályt.

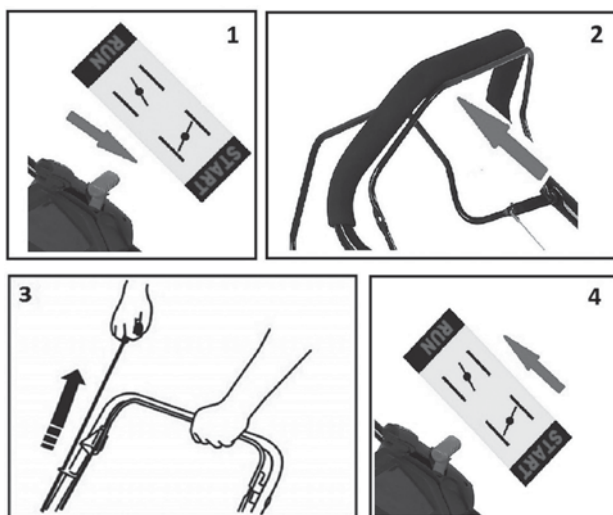
Mindig friss, tiszta és engedélyezett ólommentes, min. 95-ös oktánszámú benzint használjon.

- ⚠ **Figyelem!** Ha az olaj vagy az üzemanyag a töltés közben a fűnyíróra cseppen, azonnal törölje le. Az üzemanyagot ne tárolja, ne töltsen és ne használja nyílt láng közelében
- ⚠ **Figyelem!** Az alkohollal kevert, vagy etanol vagy metán adalékot tartalmazó üzemanyagok megköthetik a nedvességet, ami a tárolás során szeparálódhat és savképződést okozhat. Tárolás közben így a savak kipárolgásai károsíthatják a fűnyíró motorjának üzemanyagrendszerét. Ilyen üzemanyagok a fűnyíróban nem használhatók.
- ⚠ **FONTOS INFORMÁCIÓK:** Ha a fűnyírót több, mint 30 napig nem fogja használni, engedje ki az üzemanyagtartály tartalmát, indítsa be a motort és működtesse, amíg ki nem ürül az üzemanyag-vezeték és a karburátor (a motor magától leáll). Ezzel elkerülheti a későbbi gondokat a motorral. A következő használat előtt töltsön friss üzemanyagot a tartályba. További részleteket a Tárolás c. fejezetben talál.

## 7. A FŰNYÍRÓ KEZELÉSE ÉS ÜZEMELTETÉSE

### A FŰNYÍRÓ BEINDÍTÁSA

1. Ha nem meleg a motor, állítsa a szívatókart Start állásba (6. ábra - 1. pont). Ha a motor már meleg, a kar RUN állásban maradhat.
2. Húzza a kapcsoló-/fékkart a fogantyúhoz és tartsa (6. ábra – 2. pont), majd húzza meg az indítózsinórt (6. ábra – 3. pont). A motornak legkésőbb 3-4 berántás után be kell indulnia.
3. A motor beindítása után állítsa a szívatókart RUN állásba (6. ábra - 4. pont).
4. A motor kikapcsolása után engedje el a kapcsoló-/fékkart.



6. ábra

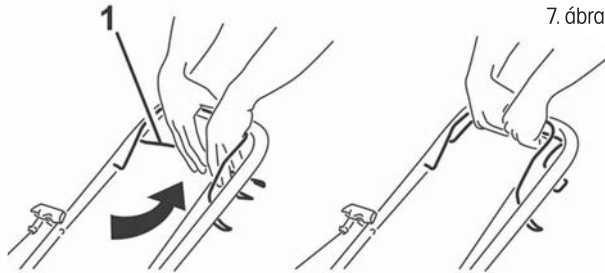
- ⚠ **Figyelem!** A motor első beindítása után kis mennyiségű füst távozhat, mivel a motor védőrétege leég. Ez normális jelenség, nem jelent hibát.



## A KERÉKMEGHAJTÁS KEZELÉSE

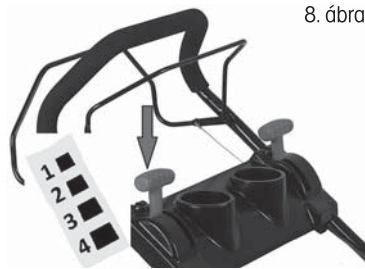
A kerékmeghajtás a futómű karjának (7. ábra – 1. pont) segítségével vezérelhető. Ha a kart a fogantyú felé húzza, a fűnyíró elindul.

A megállításhoz engedje el a kart. Ez a fűnyíró egy, állandó sebességfokozattal rendelkezik.



## A HALADÁSI SEBESSÉG BEÁLLÍTÁSA

Ez a fűnyíró variátorral van ellátva, amely lehetővé teszi a haladási sebesség beállítását. A beállítás a fogantyú paneljén levő jobb oldali karral történik (8. ábra). 4 különböző sebesség közül választhat. Ha a kart 1-es helyzetbe állítja, a fűnyíró a leglassabban halad. A kart 4-es helyzetbe állítva halad a fűnyíró a leggyorsabban.



**⚠ Fontos figyelmeztetés:** A VARIÁTOR KARJÁT CSAK BEINDÍTOTT MOTOR ESETÉN HASZNÁLJA.

## A BENZINES FŰNYÍRÓ HASZNÁLATÁNAK MÓDJAI

Vágás és a levágott fű összegyűjtése a fűgyűjtő kosárba

Vágás és a levágott fű hátsó kidobása

Vágás oldalsó kidobással

Mulcsozás - vágás és a levágott fű szabad elhelyezése a gyepen

### VÁGÁS ÉS A FŰ ÖSSZEGYŰJTÉSE A KOSÁRBA

Ha fel van helyezve a gyűjtőkosár, a levágott fű a kosárba kerül

### VÁGÁS ÉS A FŰ HÁTSÓ KIDOBÁSA

Ha nincs felhelyezve a gyűjtőkosár, a kosár fedele ún. terelőlapként működik, amely a levágott fűvet a föld felé irányítja. A fűnyíró mögött így a levágott fűből sor képződik

## VÁGÁS OLDALSÓ KIDOBÁSSAL

**Figyelem!** Az oldalkidobó terelőlap behelyezését és eltávolítását kizárólag kikapcsolt motor mellett végezze.

Kézzel emelje fel az oldalsó kidobónyílás fedelét és helyezze fel az oldalkidobó terelőlapot (9. ábra). Oldalsó kidobással történő vágás esetén a kidobójáratba be kell helyezni a mulcsozó dugót.



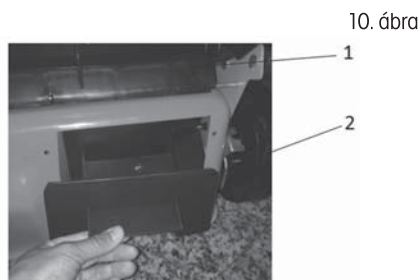
## MULCSOZÁS

**Figyelem!** A mulcsozó dugó behelyezését és eltávolítását kizárólag kikapcsolt motor mellett végezze.

**Figyelem!** Mulcsozáshoz kizárólag eredeti mulcsozó betétet használjon.

1. Vegye le a kosarat és a kezével tartsa meg a kosár műanyag fedelét (10. ábra – 1. pont)
2. Tegye a mulcsozó dugót a kidobójáratba (10. ábra – 2. pont) és ellenőrizze, hogy valóban stabilan áll-e.

**Fontos információk:** Ne egyszerre vágja le a túl nagyra nőtt fűvet, így elkerülheti a fűnyíró mechanizmusának és motorjának túlterhelését.



## A VÁGÁSI MAGASSÁG BEÁLLÍTÁSA

A vágási magasságot központilag állíthatja be a vágási magasság központi beállítására szolgáló kar segítségével (1. ábra – 11. pont)

5 állás közül választhat, 25 és 75 mm között. A gyepek nagy részének vágásához a legmegfelelőbb a középső vágási magasság.

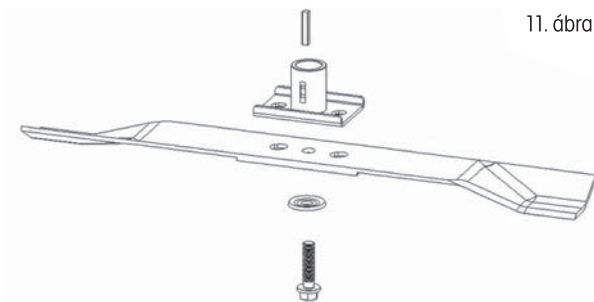
A legalacsonyabb állás választása esetén sérülhet a gyep.

## A VÁGÓKÉSEK CSERÉJE

**Figyelem!** Javasoljuk, hogy ehhez lépjen kapcsolatba a szakszervizzel

**Figyelem!** A kés eltávolítása előtt engedje ki az olajat az olajtartályból.

Ha ki szeretné cserélni a vágókést, szerelje le a csavart (11. ábra). Az ábra szerint végezze el a szerelést. Húzza meg a csavart. A meghúzási nyomaték 40 Nm. A kés cseréjekor egyúttal cserélje ki a kés rögzítőcsavarját is.



## OLAJCSERE

**⚠ Figyelem!** Javasoljuk, hogy ehhez lépjen kapcsolatba a szakszervizzel.

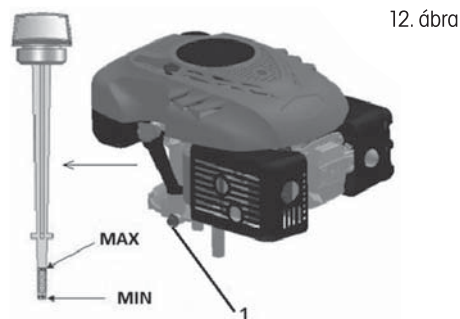
A kieresztő dugó a motor alatt található (12. ábra – 1. pont). Helyezzen a motor alá egy megfelelő edényt a használt olaj felfogásához, és húzza ki a dugót. Billentse meg a fűnyírót, hogy az összes olaj kifolyhasson a tartályból.

Az olaj leengedése után helyezze vissza a dugót a nyílásba, ellenőrizze, hogy a helyén van-e, és törölje le az esetleges olajcseppeket.

Töltsön a tartályba SAE30 vagy 15W-40 típusú olajat.

A nívópálca behelyezése és becsavarása után az olajsintnek a Min. és a Max. jelzés között kell lennie (12. ábra). Ne töltsen túl az olajtartályt.

Indítsa be a motort és rövid ideig működtesse. Állítsa le a motort, várjon 1 percig, majd mérje meg az olajsintet a tartályban. Szükség esetén töltsen fel az olajat a szükséges szintre.



# 8. BIZTONSÁGI UTASÍTÁSOK

## ÁLTALÁNOS BIZTONSÁGI ELŐÍRÁSOK

- ☛ Ez a termék kizárólag fű nyírására szolgál. Ne használja a készüléket a rendeltetésszerű használatától eltérő módon. Ellenkező esetben a készülék károsodása vagy sérülés veszélye fenyeget.
- ☛ Soha ne engedje, hogy gyermekek vagy az útmutatót nem ismerő személyek használják a gépet.
- ☛ A fűnyírót használó személy felelős a munkaterületen található személyek biztonságáért. A fűnyírót soha ne használja más személyek, gyerekek vagy szabadon szaladgáló állatok közvetlen közelében.

- ☼ A fűnyírás megkezdése előtt ellenőrizze a terepet, ahol a fűnyírót használja, és távolítsa el a köveket, drótokat, cserepeket, csontokat és más idegen tárgyakat, amelyek beakadhatnak vagy kivágódhatnak és sérülést okozhatnak.

## HASZNÁLATI UTASÍTÁSOK

- ☼ Minden anyát, szegecset és csavart alaposan rögzíteni kell, úgy, hogy a készülék biztonságos és üzembesz állapotban legyen.
- ☼ A fűnyírót soha ne használja a gyűjtőkosár vagy a védőfedél nélkül.
- ☼ A fűnyírót soha ne használja, ha a kés pengéi lazák. Mindig előre ellenőrizze, hogy a megfelelő csavarok jól meg vannak-e húzva. A tompa pengéket ki kell élesíteni, mégpedig egyenletesen. A sérült pengékkel rendelkező kést ki kell cserélni.
- ☼ Ha a fűnyíróval dolgozik, használjon hosszú szárú nadrágot és stabil cipőt.
- ☼ A fűnyírót soha ne indítsa be zárt vagy rosszul szellőző helyen, ahol a kipufogógáz felgyűlhet. A motorból távozó gáz szénmonoxidot tartalmaz, ami életveszélyes.
- ☼ Csak megfelelő fényviszonyok mellett dolgozzon (nappali fénynél, vagy elégséges mesterséges világítás mellett).
- ☼ Ne használja a fűnyírót esőben, vagy ha a fű nedves.
- ☼ Különös óvatossággal végezze a fűnyírást, ha a talaj lejt vagy emelkedik. Mindig ferdén nyírjon, a szintvonalakkal párhuzamosan, soha ne merőlegesen rájuk, azaz fel/le.
- ☼ A fűnyírót soha ne hagyja felügyelet nélkül menni, ha nincs mellette, kapcsolja ki a motort.
- ☼ Indításkor soha ne emelje meg a fűnyíró hátsó részét és soha ne közelítsen a végtagjaival az alvázhoz vagy a hátsó kidobónyíláshoz, ha a motor jár.
- ☼ Soha ne módosítsa a motor sebességének beállítását.
- ☼ Kerékmeghajtású fűnyíró esetén engedje ki a kerékmeghajtást, mielőtt bekapcsolja a motort.
- ☼ A fűnyírót soha ne helyezze át működő motorral.
- ☼ Állítsa le a motort, és csavarja ki a gyűjtőgyertyát az alábbi esetekben:
  - mielőtt bármilyen tevékenységet folytat a vágófedél vagy a hátsó fűkidobó nyílás alatt.
  - a gép karbantartása, javítása vagy ellenőrzése előtt.
  - a fűnyíró felemelése vagy áthelyezése előtt.
  - ha a fűnyírót felügyelet nélkül hagyja, vagy ha módosítani akarja a vágási magasság beállítását.
  - a gyűjtőzsák leszerelése és kiürítése előtt.
  - ha idegen tárgynak ütközik, állítsa meg a motort, és a fűnyírót gondosan nézze át, hogy kizárja a meghibásodás lehetőségét. Meghibásodás esetén vigye a fűnyírót szakszervizbe javítás céljából.

**⚠ VIGYÁZAT:** A motor kikapcsolása után a vágókés még néhány másodpercig forog.

- ha a fűnyíró abnormálisan rázkódik (azonnal keresse meg és távolítsa el a rázkódás okát).
- a biztonságos működés érdekében rendszeresen ellenőrizze, hogy a szelepek, csavarok és anyák meg vannak-e húzva a fűnyíróban.

**⚠ VIGYÁZAT:** AZ ÜZEMANYAG ERŐSEN GYÚLÉKONY FOLYADÉK.

- ☼ Az üzemanyagot erre szolgáló edényben tartsa.
- ☼ Az üzemanyagot csak nyílt vagy jól szellőző helyen töltsse. Az üzemanyaggal való tevékenység alatt ne dohányozzon és ne használjon mobiltelefont.

- ✿ Üzemanyagot csak akkor töltsön, ha a motor ki van kapcsolva. Soha ne nyissa ki az üzemanyag-tartályt és ne töltsön bele üzemanyagot, ha a motor forró vagy jár.
- ✿ Ha kifolyik a benzin, ne indítsa el a motort. Távolítsa el a fűnyírót onnan, ahol az üzemanyag kifolyt, és vigyázzon, nehogy valami meggyulladjon. A munkát csak azután folytassa, hogy a kifolyt üzemanyag elpárolgott, és az üzemanyag gőze eloszlott;
- ✿ Üzemanyag-töltés után jól csavarja be az üzemanyag-tartály tetejét és az üzemanyagkanna kupakját.

**⚠ VIGYÁZAT:** Karbantartás vagy javítás előtt állítsa le a motort és csavarja ki a gyújtógyertyát.

## 9. KARBANTARTÁS

### A GYEP GONDOZÁSA

- ✿ A füves terület típusától függően különböző gondozási módokra van szükség;
- ✿ Ezért mindig olvassa el a vetőmag csomagolásán található utasításokat, melyek az adott területen való növekedés körülményei között adnak tanácsot a vágási magasságra.
- ✿ Ne feledje, hogy a fűfélék nagy része szárból és egy vagy több levélből áll. A levelek teljes levágása esetén károsodik a gyep, és sokkal nehezebben fog újra nőni.
- ✿ Általánosságban a következő utasítások érvényesek:
  - a túl alacsony vágás megsérti a gyökereket, aminek a következménye „foltos” megjelenés;
  - nyáron magasabb vágás szükséges, hogy védje a talajt a kiszáradástól;
  - nedves fű vágása csökkentheti a kés hatékonyságát, mivel ráragadhat a fű és kiszakíthatja a füves növényzetet;
  - nagyon magas fű esetén ajánlott először a legmagasabb vágási magasságon vágni, majd két-három nap múlva megismételni a vágást.
- ✿ A gyep szebb lesz, ha azonos magasságban, rendszeresen és az egész felületen vágják, felváltva a két irányban.

### KARBANTARTÁS

- ✿ Minden anyát, szegecset és csavart alaposan rögzíteni kell, úgy, hogy a készülék biztonságos és üzemkész állapotban legyen. A rendszeres karbantartás alapvető feltétele a felhasználó biztonságának, a fűnyíró működőképessége és magas teljesítménye megőrzésének.
- ✿ A gépet benzinnel a tartályában soha ne tárolja olyan épületben, ahol a kipárolgás kapcsolatba kerülhet nyílt lánggal, szikrával vagy magas hőmérséklet forrásával
- ✿ Bármilyen zárt helyen való tárolás előtt hagyja a motort kihűlni.
- ✿ Tűzveszély csökkentése érdekében gondoskodjon róla, hogy a fűnyírón, különösen a motoron, a kipufogó hangtompítóján, az akkumulátoron, valamint a tartalék benzin tárolási helyén ne maradjon fű, falevelek vagy túl sok kenőanyag.
- ✿ Rendszeresen ellenőrizze a terelőlap és a gyűjtőkosár állapotát; sérülés esetén cserélje ki őket.
- ✿ Az üzemanyag kiengedését jól szellőző helyen, hideg motor mellett végezze.
- ✿ A vágókés levétele vagy felszerelése esetén használjon vastag védőkesztyűt.
- ✿ A vágókés pengéjének minden élesítése után ellenőrizni kell a kiegyensúlyozását.

**⚠ VIGYÁZAT:** Karbantartás vagy javítás előtt állítsa le a motort és csavarja ki a gyújtógyertyát.

- ✿ Rendszeresen ellenőrizze a fűnyírót és gondoskodjon az alváz alsó részében levő fű eltávolításáról.
- ✿ Rendszeresen kenje megfelelő kenőanyaggal az alváz tengelyét és a csapágyakat.
- ✿ Rendszeresen ellenőrizze a kések állapotát, mivel alapvetően befolyásolják a fűnyíró teljesítményét. A kések mindig legyenek élesek és kiegyensúlyozottak.
- ✿ Rendszeres időközönként ellenőrizze, hogy valamennyi csavar és anya megfelelően meg van-e húzva. Az elhasznált vagy rosszul meghúzott anyák és csavarok a motor vagy a váz komoly sérülését okozhatják.
- ✿ Ha a kés hirtelen akadályba ütközik, a fűnyírót állítsa le és vigye szakszervizbe.
- ✿ KÉS: préselt acélból készült. A legjobb vágás érdekében rendszeresen, körülbelül 25 óra működés után élesítse a kést. Győződjön meg róla, hogy a kés mindig megfelelően ki van-e egyensúlyozva. Ebből a célból tegyen a kés középső nyílásába egy (kb. 2-3 mm átmérőjű) kis vas tengelyt. Ha a kés megfelelően ki van egyensúlyozva, a tengely vízszintes helyzetben marad.
- ✿ Ha a kés nem marad vízszintes helyzetben, cserélje ki.
- ✿ A kés leszerelésekor csavarja ki a csavart, ellenőrizze a kés hordozó részét. Ha az alkatrészek elhasználódtak vagy sérültek, cserélje ki őket.

**⚠ VIGYÁZAT:** Csak eredeti pótalkatrészeket használjon. A gyenge minőségű pótalkatrészek a fűnyíró komoly meghibásodását okozhatják és fenyegethetik az Ön biztonságát.

## SZERVIZ

- ✿ Amennyiben a termék megvásárlása után bármilyen hibát tapasztal, vegye fel a kapcsolatot a szervizrészleggel. A termék használata során tartsa be a mellékelt használati útmutató utasításait.
- ✿ A reklamáció elutasításra kerül, ha a terméket módosította, vagy nem tartotta be a használati útmutató utasításait.

## A JÓTÁLLÁS NEM VONATKOZIK

- ✿ A gép funkcionális részeinek használat közbeni természetes elhasználódására
- ✿ A gép rendes karbantartásával összefüggő szerviz-beavatkozásokra (pl. tisztítás, kenés, beállítás, stb.) A külső hatások (pl. éghajlati viszonyok, por, nem megfelelő használat, stb.) által okozott hibákra
- ✿ A gép leesése, ütközése és hasonlók miatti mechanikus sérülésekre
- ✿ A nem szakszerű bánásmód, túlterhelés, nem megfelelő alkatrészek, nem alkalmas szerszámok használata és hasonlók által okozott károokra
- ✿ Az olyan reklamált termékek esetén, amelyek nem voltak megfelelően biztosítva a szállítás során a mechanikus sérülések ellen, az esetleges károkért kizárólag a tulajdonos felelős.

## TÁROLÁS

- ✿ Ha a gépet hosszabb ideig nem használja, az alábbi utasítások alapján tárolja. Ezzel meghosszabbítja a gép élettartamát.
- ✿ Teljesen engedje ki az üzemanyagot a tartályból és a karburátorból.
- ✿ Csavarja ki a gyújtógyertyát és a nyílásba öntsön egy kevés motorolajat. Finoman húzza meg az indítókart 2-3-szor.
- ✿ Egy tiszta ronggyal tisztítsa meg a külső felületeket. A gépet tiszta és száraz helyen tárolja.

## 10. MŰSZAKI ADATOK

A motor típusa	OHV, léghűtéses, 4-ütemű
Névleges teljesítmény	2,50 kW
A motor fordulatszáma	3000 ford./perc
Hengerűrtartalom	139 cm <sup>3</sup>
Futómű	4 sebesség
Indítás	Húzással
Az üzemanyagtartály térfogata	1,2 liter
Ajánlott üzemanyag	Benzin - ólommentes, min. 95-ös oktánszámú
Az olajtartály űrtartalma	0,6 l
Ajánlott olaj	SAE30, 15W-40
A vágási magasság beállítása	Központi, 8 állás
A vágási magasság beállítható terjedelme	25-70 mm
A fűnyírás szélessége	460 mm
A kerekek mérete	Első 178 mm, hátsó 254 mm
A gyűjtőkosár kapacitása	65 l
Készülékház	acél
Deklarált zajszint	96 dB(A)
Maximális vibrációs szint	12,5 m/s (K=1,5)
Súly	31 kg

A szöveg és műszaki paraméterek változtatásának joga fenntartva.

Változtatások a szövegben, a kivételben és a műszaki jellemzőkben előzetes figyelmeztetés nélkül történhetnek, a módosításra vonatkozó jog fenntartva

# 11. MEGFELELŐSÉGI NYILATKOZAT

## EK MEGFELELŐSÉGI NYILATKOZAT

A Fast ČR, a.s., Černokostelecká 251 01 Říčany u Prahy, tel.:323204111, kötelezően nyilatkozik, hogy a Fieldmann FZR 4618 BV benzines fűnyíró (a gyártási év a típuscímken található, és a gép gyártási száma követi, megfelel a TANÁCS következő IRÁNYELVEINEK:

2006/42/EC – 2004/108/EC – 2000/14/EC – 97/68/EC – 2002/88/EC

és az alábbi szabványokkal összhangban került vizsgálatra:

EN 55012  
EN 836 – EN 836/A4  
EN ISO 5395 – 1:2013  
EN ISO 5395 – 2:2013  
EN ISO 14982:2009  
EN ISO 3744:2010  
ISO 11094:1991

A FAST ČR Rt jogosult a gyártó nevében eljárni.

CE label: 15

Kelt: Říčany, 2015. 9. 18.

**FAST** FAST ČR, a.s.   
Černokostelecká 1621  
251 01 Říčany u Prahy  
ICO: 26726548 tel.: +420/ 323 204 111  
DIČ: CZ26726548 fax: +420/ 323 204 110



Petr Uher  
minőségügyi menedzser



## 12. MEGSEMMISÍTÉS

### A HASZNÁLT CSOMAGOLÓANYAGOKRA VONATKOZÓ UTASÍTÁSOK ÉS TÁJÉKOZTATÓ

A használt csomagolóanyagot az önkormányzat által kijelölt hulladékgyűjtő helyen adja le.



A gép és tartozékai különböző anyagokból, pl. fémből és műanyagból készültek.  
A sérült alkatrészeket adja le szelektív gyűjtőhelyen. Tájékozódjon a vonatkozó hivatalnál.



Ez a termék teljesíti az összes rá vonatkozó EU irányelv követelményeit.

Változtatások a szövegben, a kivitelben és a műszaki jellemzőkben előzetes figyelmeztetés nélkül történhetnek, a módosításra vonatkozó jog fenntartva.

Használati útmutató az eredeti nyelven.



# Spalinowa kosiarka do trawy

## INSTRUKCJA OBSŁUGI

**Dziękujemy za zakupienie tej ogrodowej spalinowej kosiarki rotacyjnej. Zanim zaczniesz z niej korzystać, przeczytaj uważnie niniejszą instrukcję obsługi i zachowaj ją do wglądu.**

### SPIS TREŚCI

1. OGÓLNE ZASADY BEZPIECZEŃSTWA.....	76
Ważne ostrzeżenia dotyczące bezpieczeństwa.....	76
Opakowanie.....	76
Instrukcja obsługi.....	76
2. WYJAŚNIENIE TABLICZEK ZE WSKAZÓWKAMI ZNAJDUJĄCYCH SIĘ NA MASZYNIE.....	77
3. OPIS KOSIARKI.....	79
4. MONTAŻ/PRZYGOTOWANIE.....	79
Wyjmij kosiarkę z kartonowego opakowania.....	79
5. MONTAŻ KOSIARKI.....	80
6. PRZED URUCHOMIENIEM KOSIARKI.....	81
Wlewanie oleju.....	81
Uzupełnianie paliwa.....	81
7. OBSŁUGA I EKSPLOATACJA KOSIARKI.....	82
Uruchamianie kosiarki.....	82
Obsługa napędu.....	83
Ustawienie prędkości napędu.....	83
Zakres użycia kosiarki spalinowej.....	83
Koszenie z gromadzeniem skoszonej trawy w koszu.....	83
Koszenie z tylnym wyrzutem.....	83
Koszenie z wyrzutem bocznym.....	84
Mulczowanie.....	84
Ustawienia wysokości koszenia.....	84
Wymiana noży tnących.....	84
Wymiana oleju silnikowego.....	85
8. WSKAZÓWKI BEZPIECZEŃSTWA.....	85
Ogólne wskazówki bezpieczeństwa.....	85
Instrukcja użycia.....	86
9. KONSERWACJA.....	87
Pielęgnacja trawnika.....	87
Konserwacja.....	87
Serwis.....	88
Gwarancja nie dotyczy.....	88
Przechowywanie.....	88
10. DANE TECHNICZNE.....	89
11. DEKLARACJA ZGODNOŚCI.....	90
12. LIKWIDACJA.....	91

# 1. OGÓLNE ZASADY BEZPIECZEŃSTWA

## WAŻNE INSTRUKCJE DOTYCZĄCE BEZPIECZEŃSTWA

- ✿ Rozpakuj uważnie wyrób, zwracając przy tym uwagę, abyś nie wyrzucił żadnej części materiału opakowaniowego, zanim nie znajdziesz wszystkich części wyrobu.
- ✿ Przechowuj urządzenie w suchym miejscu z dala od dzieci.
- ✿ Przeczytaj wszystkie uwagi i wskazówki. Nieprzestrzeganie ostrzeżeń i wskazówek może spowodować porażenie prądem elektrycznym, pożar lub ciężkie obrażenia.

## OPAKOWANIE


Wyrób został umieszczony w opakowaniu chroniącym je przed uszkodzeniem podczas transportu. Opakowanie to jest surowcem i dlatego podlega recyklingowi.

## INSTRUKCJA OBSŁUGI

Zanim rozpoczniesz pracę z urządzeniem, przeczytaj następujące zasady bezpieczeństwa i wskazówki dotyczące użytkowania.

Zapoznaj się z elementami sterowania i prawidłowym użyciem urządzenia. Instrukcję należy starannie zachować do wglądu. Co najmniej w okresie gwarancyjnym zalecamy zachowanie oryginalnego opakowania łącznie z wewnętrznym materiałem opakowaniowym, dokument kasowy i kartę gwarancyjną.

W razie transportu zapakuj maszynę z powrotem do oryginalnego pudełka dostarczonego przez producenta, zapewniając w ten sposób maksymalną ochronę produktu podczas ewentualnego transportu (np. przeprowadzki lub wysyłki do serwisu).

 **Uwaga:** Jeśli przekazujesz maszynę innym osobom, przekaz ją razem z instrukcją. Przestrzeganie załączonej instrukcji obsługi stanowi założenie prawidłowego użycia urządzenia. Instrukcja obsługi zawiera również wskazówki dotyczące obsługi, konserwacji i naprawy.

**Producent nie ponosi odpowiedzialności za wypadki lub szkody powstałe na skutek nieprzestrzegania niniejszej instrukcji.**

## 2. WYJAŚNIENIE TABLICZEK ZE WSKAZÓWKAMI ZNAJDUJĄCYCH SIĘ NA MASZYNIE



Przed uruchomieniem urządzenia prosimy o uważne zapoznanie się z instrukcją obsługi.



Pozostałe osoby powinny znajdować się poza obszarem pracy.



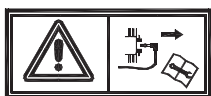
Uwaga, noże rotujące! Unikać ryzyka urazu kończyn.



Emisja gazów toksycznych. Nie korzystaj z kosiarki spalinowej w pomieszczeniach zamkniętych lub nie wentylowanych.



Powierzchni gorące, ryzyko oparzeń!



Przed rozpoczęciem konserwacji wyłącz silnik i odłącz świecę zapłonową.



Nigdy nie dolewaj paliwa przy włączonym silniku.



Uwaga, w przypadku nieprzestrzegania zaleceń zagraża ryzyko obrażeń osób, śmierci lub uszkodzenia urządzenia.



Używaj ochronników słuchu.

Używaj środków ochrony wzroku.

Używaj środków ochrony dróg oddechowych.



Zachowaj stale odstęp od poruszających się części.



Poruszaj się po zboczu wzdłuż poziomic, nie zaś w górę i w dół.



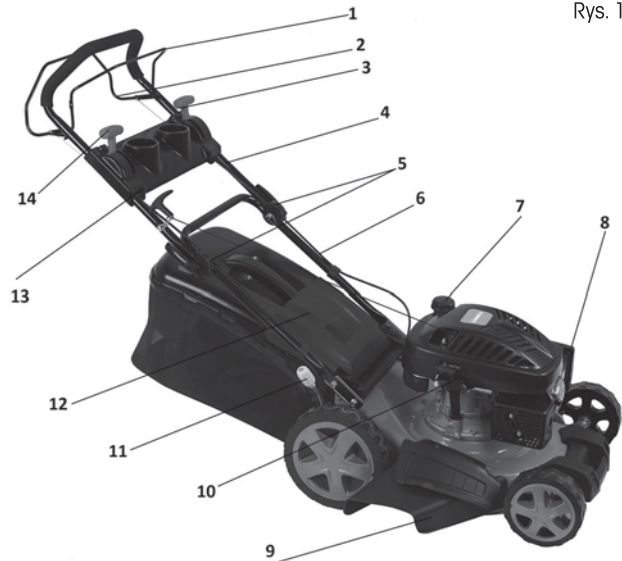
Produkt spełnia wszystkie odpowiednie dyrektywy europejskie.



Benzyna jest substancją skrajnie łatwopalną, dlatego przed dolaniem paliwa pozostaw silnik na 2 minuty do wystygnięcia.

### 3. OPIS KOSIARKI (Rys. 1)

1. Dźwignia zapłonu/hamulca
2. Dźwignia napędu
3. Dźwignia ssania
4. Górna część uchwyty
5. Szybkozaciskowe śruby uchwyty
6. Dolna część uchwyty
7. Korek zbiornika paliwa
8. Pokrywa filtra powietrznego
9. Deflektor wyrzutu bocznego
10. Korek z miarką oleju
11. Dźwignia centralnej regulacji wysokości koszenia
12. Pokrywa kosza - tylny deflektor
13. Panel uchwyty
14. Dźwignia ustawień prędkości napędu



Rys. 1

### 4. MONTAŻ/PRZYGOTOWANIE

Przed zmontowaniem i uruchomieniem kosiarki spalinowej dokładnie przeczytaj całą instrukcję obsługi i zawarte w niej polecenia.

- ⚠ WAŻNA INFORMACJA:** Kosiarka została dostarczona **BEZ PALIWA I OLEJU** w silniku. Twoja nowa kosiarka do trawy została przetestowana w zakładzie produkcyjnym, dlatego w silniku może się znajdować minimalna ilość resztek oleju.

#### WYJMIJ KOSIARKĘ Z KARTONOWEGO OPAKOWANIA

Wymij kosiarkę z kartonowego opakowania i sprawdź, czy w opakowaniu nie pozostały wolne części.

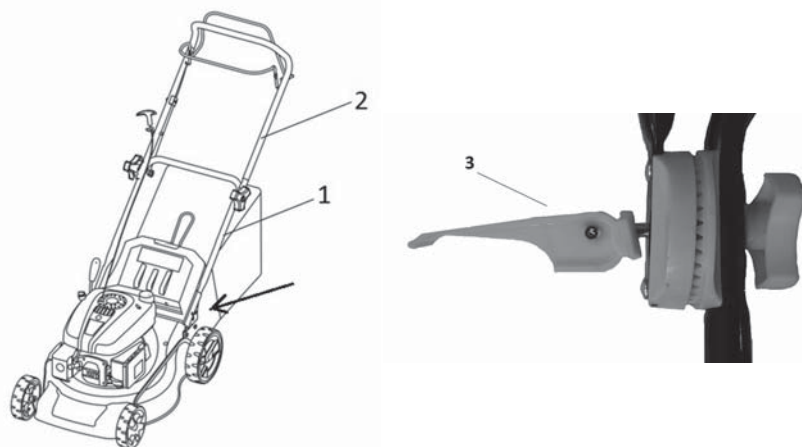
## 5. MONTAŻ KOSIARKI

**⚠ WAŻNA INFORMACJA:** Ostrożnie rozłóż rękojeść kosiarki tak, aby nie przytrzasnąć ani nie uszkodzić linki.

### 1. MONTAŻ UCHWYTU

1. Wsuń spodnią część uchwyty (Rys. 2 – punkt 1) do odpowiednich otworów w kosiarce (por. strzałka) i zabezpiecz go za pomocą 4 dołączonych śrub – po dwie śruby na każdej stronie uchwyty.
2. Połącz górną część uchwyty (Rys. 2 – punkt 2) z dolną częścią uchwyty za pomocą dołączonych śrub szybkozaciskowych i nakrętek motylkowych (Rys. 2 – punkt 3).

**⚠ WAŻNE OSTRZEŻENIA:** Po zwolnieniu śruby szybkozaciskowej można wygodnie ustawić wysokość uchwyty i wybrać najbardziej komfortową pozycję pracy.



Rys. 2

### 2. INSTALACJA PANELU UCHWYTU

Za pomocą dostarczonych śrub przymocuj plastikowy panel uchwyty (rys. 3).



Rys. 3



### 3. ZAKŁADANIE KOSZA

Przymocuj plastikowe haczyki znajdujące się na zakończeniu tekstylnej części kosza do stalowej konstrukcji (rys. 4).



Rys. 4

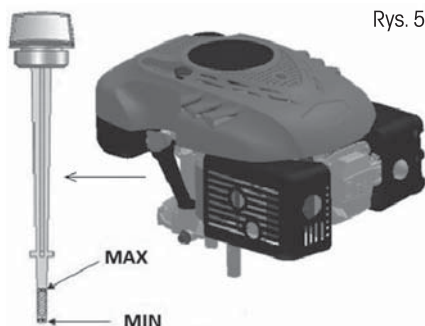
- WAŻNE OSTRZEŻENIA:** Kosz jest wyposażony w element sygnalizujący jego napelnienie. Jest to plastikowa klapka znajdująca się w tylnej części kosza. Jeśli kosz nie jest napelniony, klapka jest podniesiona. Po jej zamknięciu należy wysypać zawartość kosza.

## 6. PRZED URUCHOMIENIEM KOSIARKI

### WLEWANIE OLEJU

**Kosiarka została dostarczona bez oleju silnikowego. Przed pierwszym uruchomieniem wlej olej silnikowy SAE30 lub 15W-40 (ok. 600 ml) przestrzegając poniższych wskazówek.**

1. Przed rozpoczęciem wlewania oleju postaw kosiarkę na równej powierzchni.
2. Wyjmij korek z miarką oleju z otworu służącego do wlewania oleju (Rys. 5).
3. Po dolaniu oleju umieść miarkę z powrotem w otworze i dokręć ją.
4. Poziom oleju musi się znajdować pomiędzy górną (MAX) i dolną (MIN) granicą (Rys. 5).



Rys. 5

- Uwaga!** NIE PRZEPEŁNIAJ pojemnika z olejem, w przeciwnym wypadku po uruchomieniu kosiarki z rury wydechowej zacznie się wydobywać duża ilość dymu.
- WAŻNA INFORMACJA:** Sprawdź poziom oleju przed każdym użyciem kosiarki. W razie potrzeby dolej olej. Dolewaj olej do kreski MAX znajdującej się na miarce oleju.
- WAŻNA INFORMACJA:** Wymień olej po pierwszych 5 godzinach pracy, a następnie po każdych 25 godzinach pracy.

### UZUPEŁNIANIE PALIWA

**Odpowiednim paliwem dla tego typu silnika jest NATURAL 95**

Po odkręceniu korka zbiornika na paliwo (Rys. 1 – punkt 7) dolej paliwo aż do szyjki zbiornika na paliwo. Nie przepelniaj zbiornika.

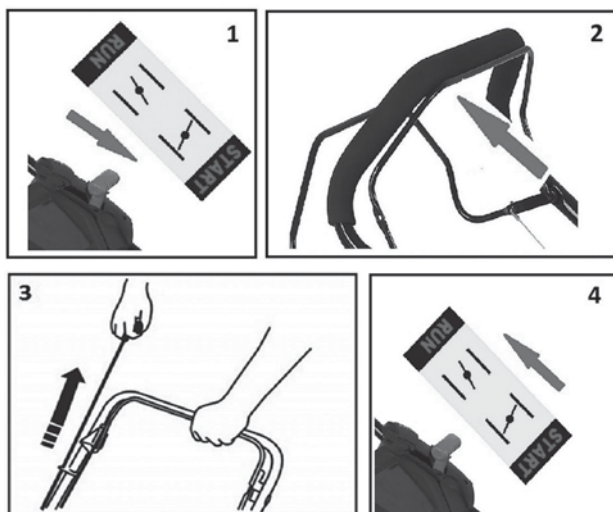
Dolewaj zawsze świeżą, czystą i certyfikowaną benzynę bezołowiową o liczbie oktanowej min. 95.

- ⚠ Uwaga!** Jeśli podczas dolewania oleju czy paliwa zabrudzisz kosiarkę, natychmiast ją wytrzyj. Nie przechowuj, nie dolewaj paliwa ani nie manipuluj nim w pobliżu otwartego ognia.
- ⚠ Uwaga!** Paliwo zmieszane z alkoholem czy paliwo z domieszką etanolu czy metanu może wiązać wilgoć, co może prowadzić podczas magazynowania do separacji i powstawania kwasów. Podczas przechowywania opary kwasów mogą uszkodzić system paliwowy silnika kosiarki. Takie paliwo nie może być w kosiarce używane.
- ⚠ WAŻNA INFORMACJA:** Jeśli nie będziesz używać kosiarki przez dłużej niż 30 dni, opróżnij zbiornik paliwa, uruchom silnik i pozostaw go włączony, dopóki nie dojdzie do opróżnienia rur paliwowych i gaźnika (silnik sam zgaśnie). Ten sposób postępowania zapobiega powstaniu problemów z silnikiem w przyszłości. Przed ponownym użyciem dolej do zbiornika świeże paliwo. Więcej szczegółów znajdziesz w rozdziale Przechowywanie.

## 7. OBSŁUGA I EKSPLOATACJA KOSIARKI

### URUCHAMIANIE KOSIARKI

1. Jeśli silnik nie jest rozgrzany, ustaw dźwignię ssania w pozycji Start (Rys. 6 - punkt 1). Jeśli silnik jest rozgrzany, dźwignia może pozostać w pozycji RUN.
2. Przyciągnij dźwignię zapłonu/hamulca do uchwytu i przytrzymaj ją (Rys. 6 – punkt 2), a następnie pociągnij za linkę rozrusznika (Rys. 6 – punkt 3). Silnik powinien się uruchomić najpóźniej po 3-4 pociągnięciach.
3. Po uruchomieniu silnika ustaw dźwignię ssania w pozycji RUN (Rys. 6 - punkt 4).
4. Aby wyłączyć silnik, zwolnij Dźwignię zapłonu/hamulca.



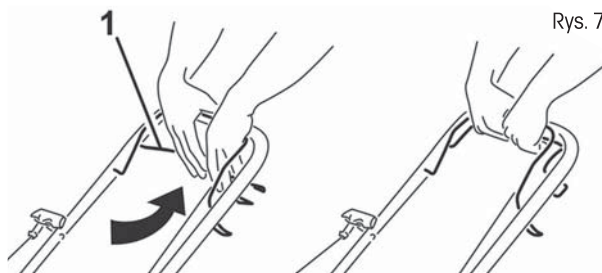
Rys. 6

- ⚠ Uwaga!** Po pierwszym uruchomieniu silnika może pojawić się niewielka ilość dymu z powodu wypalenia warstw ochronnych silnika. Jest to standardowa sytuacja, która nie sygnalizuje żadnego problemu.

## OBŚLUGA NAPĘDU

Do obsługi napędu służy dźwignia napędu (Rys. 7 – punkt 1). Po przyciągnięciu dźwigni do uchwyty kosiarka zacznie jechać.

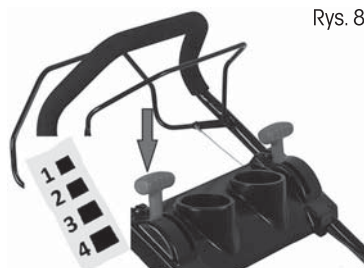
Aby ją zatrzymać, zwolnij ponownie dźwignię. Ta kosiarka dysponuje jedną stałą prędkością.



Rys. 7

## USTAWIENIE PRĘDKOŚCI NAPĘDU

Kosiarka ta jest wyposażona w wariator umożliwiający ustawienie prędkości napędu. Ustawienia dokonuje się prawą dźwignią na panelu uchwyty (obr. 8). Można wybrać spośród 4 prędkości. Przy ustawieniu dźwigni w pozycji 1 kosiarka jedzie najwolniej. Przy ustawieniu dźwigni w pozycji 4 kosiarka jedzie najszybciej.



Rys. 8

**⚠ Ważne ostrzeżenia:** MANIPULOWAĆ DŹWIGNIĄ WYŁĄCZNIE PRZY WŁĄCZONYM SILNIKU.

## ZAKRES UŻYCIA KOSIARKI SPALINOWEJ

Koszenie z gromadzeniem skoszonej trawy w koszu

Koszenie z tylnym wyrzutem skoszonej trawy

Koszenie z wyrzutem bocznym

Mulczowanie - koszenie z wolnym układaniem trawy na trawniku

## KOSZENIE Z GROMADZENIEM SKOSZONEJ TRAWY W KOSZU

Przy założonym koszu skoszona trawa przedostaje się do kosza.

## KOSZENIEM Z TYLNYM WYRZUTEM

Jeśli kosz nie jest założony, pokrywa kosza służy jako tzw. deflektor powodujący, że skoszona trawa spada na ziemię. Dzięki temu za skoszoną trawą powstaje rząd skoszonej trawy.

## KOSZENIE Z WYRZUTEM BOCZNYM

**Uwaga!** Boczny deflektor należy zakładać i zdejmować wyłącznie przy wyłączonym silniku.

Podnieś ręką pokrywę bocznego wyrzutu i załóż boczny deflektor (rys. 9). Przed koszeniem z wyrzutem bocznym do tunelu wyrzutowego należy zainstalować zaślepkę mulczującą.



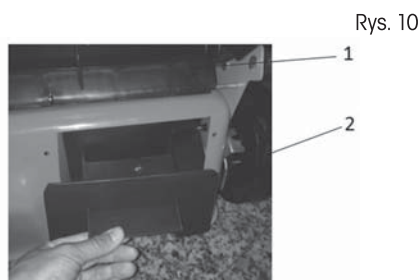
## MULCZOWANIE

**Uwaga!** Zaślepkę mulczującą należy przymocowywać i zdejmować wyłącznie przy wyłączonym silniku.

**Uwaga!** Podczas mulczowania korzystaj wyłącznie z oryginalnego wyposażenia do mulczowania.

1. Zdejmij kosz i przytrzymaj ręką plastikową pokrywę kosza (Rys. 10 – punkt 1)
2. Załóż zaślepkę mulczującą do tunelu wyrzutowego (Rys. 10 – punkt 2) i upewnij się, czy została mocno osadzona.

**WAŻNA INFORMACJA:** Nie mulczuj naraz wysokiej trawy. Unikniesz w ten sposób przeciążenia mechanizmu kosiarki i silnika.



## USTAWIENIA WYSOKOŚCI KOSZENIA

Ustaw wysokość koszenia centralnie za pomocą dźwigni centralnej regulacji wysokości koszenia (Rys. 1 – punkt 11).

Do wyboru jest 5 pozycji w zakresie 25 – 75 mm. Do koszenia większości trawników najbardziej odpowiednia jest średnia wysokość.

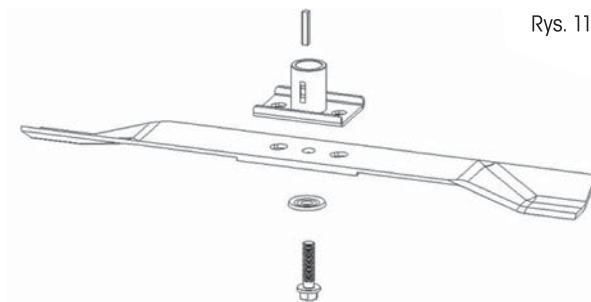
Przy ustawieniu najniższej wysokości może dojść do uszkodzenia trawnika.

## WYMIANA NOŻY TNĄCYCH

**Uwaga!** W celu wymiany filtra powietrza zalecamy skontaktowanie z autoryzowanym serwisem.

**Uwaga!** Przed demontażem noża usuń olej ze zbiornika oleju.

Aby wymienić nóż tnący, odkręć śrubę (Rys. 11). Dokonaj montażu zgodnie z pokazanym rysunkiem. Dokręć śrubę. Moment dokręcania wynosi 40 Nm. Równocześnie z wymianą noża wymień śrubę dokręcającą nóż.



Rys. 11

## WYMIANA OLEJU SILNIKOWEGO

**⚠ Uwaga!** W celu wymiany filtra powietrza zalecamy skontaktowanie z autoryzowanym serwisem.

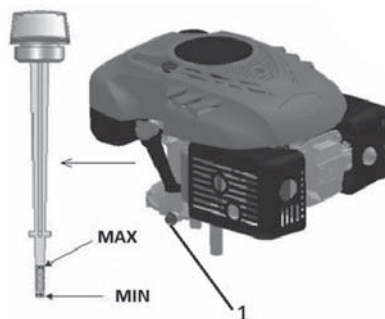
Korek spustowy znajduje się pod silnikiem (Rys. 12 – punkt 1). Umieść pod silnikiem odpowiedni zbiornik na zużyty olej i zdejmij korek. Pochyl kosiarkę tak, aby cały olej mógł wypłynąć ze zbiornika.

Po wypuszczeniu oleju umieść korek z powrotem w otworze, upewnij się, że jest on umieszczony prawidłowo na swoim miejscu i ewentualnie wytrzyj krople rozlanego oleju.

Dolej do zbiornika olej typu SAE30 lub 15W-40. Po włożeniu miarki oleju do otworu i jej przykręceniu poziom oleju powinien się znajdować między kreskami Min. i Maks. (Rys. 12). Nie przepętniaj zasobnika na olej.

Uruchom silnik i pozostaw go na chwilę włączony.

Zatrzymaj silnik, odczekaj 1 minutę i zmierz poziom oleju w zbiorniku. W razie potrzeby dolej olej do odpowiedniego poziomu.



Rys. 12

# 8. WSKAZÓWKI BEZPIECZEŃSTWA

## OGÓLNE WSKAZÓWKI BEZPIECZEŃSTWA

- ☛ Ten produkt służy wyłącznie do koszenia trawy. Nie używaj do innych celów niż te, do których jest przeznaczony. W innym wypadku grozi jego uszkodzenie lub wypadek.
- ☛ Nigdy nie należy pozwolić pracować z tym urządzeniem dzieciom ani osobom niezapoznanym z niniejszą instrukcją obsługi.
- ☛ Osoba obsługująca kosiarkę odpowiada za bezpieczeństwo osób znajdujących się w obszarze jej pracy. Nigdy nie używaj kosiarki bezpośrednio w pobliżu innych osób, dzieci lub wolno biegających zwierząt.

- ✿ Przed rozpoczęciem koszenia sprawdź teren, na którym kosiarka ma być używana, i usuń z niego kamienie, druty, patyki, odłamki szkła, kości i inne przedmioty obce, które mogłyby się zaklinować lub zostać wyrzucone i spowodować zranienia.

## INSTRUKCJA UŻYCIA

- ✿ Wszystkie nakrętki, sworznie i śruby należy dokręcić tak, aby urządzenie znajdowało się w bezpiecznym stanie i było zdolne do pracy.
- ✿ Nigdy nie korzystaj z kosiarki bez kosza lub pokrywy ochronnej.
- ✿ Nigdy nie korzystaj z kosiarki z poluzowanymi ostrzami noża. Zawsze upewnij się najpierw, czy odpowiednie śruby są dobrze dokręcone. Stępione ostrza należy równomiernie naostrzyć. Noże z uszkodzonymi ostrzami należy wymienić.
- ✿ Podczas pracy z kosiarką należy nosić spodnie z długimi nogawkami i solidne buty.
- ✿ Nigdy nie uruchamiaj kosiarki w zamkniętych lub słabo wentylowanych pomieszczeniach, gdzie mogą się gromadzić opary. Emisje pochodzące z silnika zawierają tlenek węgla, który jest substancją zagrażającą życiu.
- ✿ Pracuj wyłącznie przy dostatecznym oświetleniu (przy świetle dziennym lub przy dostatecznym sztucznym oświetleniu).
- ✿ Nie korzystaj z kosiarki podczas deszczu lub kiedy trawa jest mokra.
- ✿ Zachowaj szczególną ostrożność podczas koszenia w terenie z różnicami poziomów (na zboczach). Koś zawsze w poprzek zbocza, równoległe do poziomicy, nie zaś w górę na dół, prostopadłe do niej.
- ✿ Nigdy nie pozostawiaj włączonej kosiarki bez obsługi. Jeśli zamierzasz odejść od kosiarki, wyłącz silnik.
- ✿ Podczas uruchamiania kosiarki nigdy nie podnoś jej tylnej części i nigdy nie zbliżaj kończyn do podwozia lub do otworu tylnego wyrzutu trawy przy włączonym silniku.
- ✿ Nigdy nie zmieniaj ustawień prędkości silnika.
- ✿ W przypadku kosiarek z napędem zwolnij napęd przed uruchomieniem silnika.
- ✿ Nigdy nie przemieszczaj kosiarki z włączonym silnikiem.
- ✿ W następujących wypadkach należy zatrzymać silnik i odłączyć świecę zapłonową:
  - przed rozpoczęciem jakiegokolwiek czynności pod pokrywą lub otworem tylnego wyrzutu trawy.
  - przed rozpoczęciem konserwacji, naprawy lub kontroli urządzenia.
  - przed przenoszeniem, podnoszeniem lub przemieszczaniem kosiarki.
  - jeśli pozostawiasz kosiarkę bez nadzoru lub jeśli zamierzasz zmienić ustawienia wysokości koszenia.
  - przed demontażem i opróżnianiem worka zbiorczego.
  - jeśli dojdzie do kolizji z przedmiotem obcym, zatrzymaj silnik i dokładnie przejrzyj kosiarkę, aby wykluczyć możliwość jej uszkodzenia. W razie uszkodzenia, przewieź kosiarkę do wyspecjalizowanego serwisu w celu dokonania jej naprawy.

**⚠ UWAGA:** Po włączeniu silnika nóż obraca się jeszcze przez kilka sekund.

- W razie niestandardowych wibracji kosiarki (sprawdź natychmiast i usuń przyczynę wibracji).
- W celu zapewnienia bezpiecznej pracy kontroluj regularnie dokręcenie czopów, śrub i nakrętek na kosiarce.

**⚠ UWAGA:** PALIWO JEST CIECZĄ WYSOCE ŁATWOPALNĄ.

- ✿ Przechowuj paliwo w przeznaczonym do tego zbiorniku.
- ✿ Uzupełniaj paliwo wyłącznie w przestrzeni otwartej lub dobrze wentylowanej. Podczas kontaktu z paliwem nie pal papierosów ani nie używaj telefonu komórkowego.

- ✿ Paliwo należy uzupełniać wyłącznie przy wyłączonym silniku. Nigdy nie otwieraj zbiornika na paliwo i nie dolewaj go, jeśli silnik jest gorący lub pracuje.
- ✿ Jeśli dojdzie do rozlania benzyny, nie uruchamiaj silnika. Usuń kosiarkę z miejsca, gdzie doszło do rozlania paliwa unikając w ten sposób jego ewentualnego zapalenia. Kontynuuj pracę dopiero po wyparowaniu rozlanego paliwa i rozproszeniu oparów paliwa.
- ✿ Po uzupełnieniu paliwa dobrze dokręć zakrętkę zbiornika paliwa i zakrętkę kanistra z paliwem.

**⚠ UWAGA:** Przed rozpoczęciem konserwacji lub naprawy wyłącz silnik i odłącz świecę zapłonową.

## 9. KONSERWACJA

### PIELĘGNACJA TRAWNIKA

- ✿ W zależności od rodzaju trawnika należy stosować różne sposoby pielęgnacji.
- ✿ Dlatego za każdym razem należy zapoznać się ze wskazówkami podanymi na opakowaniach nasion, dotyczącymi wysokości koszenia, uwzględniającymi warunki wzrostu trawy na danym obszarze.
- ✿ Należy pamiętać, że większość trawy składa się ze źdźbła i jednego lub większej ilości liści. W przypadku całkowitego ścięcia liści dojdzie do uszkodzenia trawnika i odnowienie jego wzrostu będzie o wiele trudniejsze.
- ✿ Ogólnie obowiązują następujące wskazówki:
  - koszenie na zbyt niskim poziomie powoduje naruszenie korzeni i pojawienie się „plam”;
  - w lecie należy kosić na wyższym poziomie, aby uniknąć wysychania gleby;
  - koszenie mokrej trawy może spowodować obniżenie efektywności noża, co może doprowadzić do zaczepiania się trawy na nożu i jej wrywania;
  - w przypadku wyjątkowo wysokiej trawy należy dokonać pierwszego koszenia na maksymalną wysokość, jaką umożliwiała maszyna, a następnie wykonać drugie koszenie dopiero po dwu lub trzech dniach.
- ✿ Trawnik będzie mieć lepszy wygląd przy regularnym koszeniu całej jego powierzchni na tej samej wysokości oraz przy przestrzeganiu zmiany dwu kierunków.

### KONSERWACJA

- ✿ Wszystkie nakrętki, sworznie i śruby należy dokręcić tak, aby urządzenie znajdowało się w bezpiecznym stanie i było zdolne do pracy. Regularna konserwacja jest podstawą zapewnienia bezpieczeństwa użytkownika, zachowania zdolności urządzenia do pracy i jego wysokiej efektywności.
- ✿ Jeśli zbiornik paliwowy kosiarki jest napełniony benzyną, nigdy nie należy przechowywać jej wewnątrz budynku, gdzie opary mogłyby być w kontakcie z otwartym ogniem, iskrami lub źródłami wysokich temperatur.
- ✿ Przed odstawieniem kosiarki do przechowania w jakimkolwiek pomieszczeniu zamknij pozostaw silnik do wystygnięcia.
- ✿ W celu obniżenia ryzyka pożaru zadbaj o to, aby na kosiarce, a w szczególności jej silniku, tłumiku, akumulatorze oraz w miejscu przechowywania zapasowej benzyny nie znajdowały się resztki trawy, liści lub nadmierna ilość smaru.
- ✿ Regularnie sprawdzaj stan deflektora i kosza; w razie ich uszkodzenia wymień je.
- ✿ Wylewaj paliwo w dobrze wentylowanym pomieszczeniu przy chłodnym silniku.
- ✿ Podczas zdejmowania lub instalacji noża korzystaj z grubych rękawic ochronnych.
- ✿ Po każdym naostrzeniu ostrza noża należy sprawdzić jego wyważenie.

**⚠ UWAGA:** Przed rozpoczęciem konserwacji lub naprawy wyłącz silnik i odłącz świecę zapłonową.

- ✿ Regularnie sprawdzaj kosiarkę i zadбай o usuwanie wszystkich osadów trawy ze spodniej części podwozia.
- ✿ Regularnie smaruj oś podwozia oraz łożyska odpowiednim smarem.
- ✿ Regularnie sprawdzaj stan noży, ponieważ ma to znaczący wpływ na efektywność kosiarki. Noże powinny być zawsze ostre i wyważone.
- ✿ W regularnych odstępach czasu sprawdzaj dokręcenie wszystkich śrub i nakrętek. Zużyte lub źle dokręcone nakrętki i śruby mogą spowodować poważne uszkodzenie silnika lub jego ramy.
- ✿ Jeśli nóż gwałtownie zderzy się z przeszkodą, zatrzymaj kosiarkę i odwieź ją do autoryzowanego serwisu.
- ✿ **NÓŻ:** nóż jest wyprodukowany z wytłaczanej stali. Aby uzyskać jak najlepszy efekt koszenia, regularnie ostrz nóż, po mniej więcej 25 godzinach pracy. Upewnij się, czy nóż jest prawidłowo wyważony. W tym celu włóż do środkowego otworu noża żelazną oś (o średnicy 2-3 mm). Jeśli nóż jest prawidłowo wyważony, oś utrzyma się w pozycji horyzontalnej.
- ✿ Jeśli nóż nie utrzyma się w pozycji horyzontalnej, wymień go.
- ✿ Przy demontażu noża odkręć śrubę i sprawdź nośną część noża. Jeśli części są zużyte lub uszkodzone, wymień je.

**⚠ UWAGA:** Używaj wyłącznie oryginalnych części zamiennych. Części zamienne złej jakości mogą spowodować poważne uszkodzenia kosiarki i zagrażać Twojemu bezpieczeństwu.

## SERWIS

- ✿ Jeśli po nabyciu produktu odkryjesz w nim jakąkolwiek wadę, skontaktuj się z wydziałem serwisu. Podczas korzystania z produktu postępuj zgodnie z zaleceniami podanymi w dołączonej instrukcji użycia.
- ✿ Reklamacja nie dotyczy sytuacji, gdy użytkownik dokonał przeróbki produktu lub nie postępował zgodnie z zaleceniami podanymi w instrukcji użycia.

## GWARANCJA NIE DOTYCZY

- ✿ Naturalnego zużycia funkcjonalnych części maszyny wynikających z jej eksploatacji.
- ✿ Czynności serwisowych związanych ze standardową konserwacją maszyny (np. czyszczenia, smarowania, kalibracji itp.) Wad spowodowanych na skutek oddziaływania czynników zewnętrznych (np. warunków klimatycznych, zapylenia, niewłaściwego użycia itp.)
- ✿ Uszkodzeń mechanicznych będących następstwem upadku maszyny, zderzenia, uderzenia itp.
- ✿ Szkód powstałych na skutek niefachowej obsługi, przeciężenia, użycia niewłaściwych części lub nieodpowiednich narzędzi itp.
- ✿ W przypadku reklamowanych produktów, które nie zostały należycie zabezpieczone przed mechanicznym uszkodzeniem podczas transportu, ryzyko ewentualnej szkody ponosi wyłącznie ich właściciel.

## PRZECHOWYWANIE

- ✿ Jeśli nie zamierzasz używać maszyny przez dłuższy czas, przechowuj ją zgodnie z zaleceniami podanymi poniżej. Dzięki temu przedłużysz żywotność urządzenia.
- ✿ Wylej całość paliwa ze zbiornika paliwa i karburatora.
- ✿ Odkręć świecę zapłonową i nalej do otworu niewielką ilość oleju silnikowego. Delikatnie pociągnij 2 do 3 razy za rozrusznik.
- ✿ Wytrzyj zewnętrzne powierzchnie czystą ścierką. Przechowuj maszynę w czystym i suchym miejscu.



## 10. DANE TECHNICZNE

Typ silnika	OHV, chłodzony powietrzem, 4-suwowy
Moc nominalna	2,50 kW
Obroty silnika	3000 obr./min.
Pojemność skokowa	139 cm <sup>3</sup>
Napęd	4 prędkości
Rozruch	Przez pociągnięcie
Pojemność zbiornika paliwa	1,2 litra
Zalecane paliwo	Benzyna - bezołowiowa, min. 95 oktanów
Pojemność zbiornika oleju	0,6 l
Zalecany olej	SAE30, 15W-40
Ustawienia wysokości koszenia	Centralne, 8 pozycji
Regulacja zakresu wysokości koszenia	25-70 mm
Zasięg koszenia	460 mm
Rozmiar kół	Przednie 178 mm, tylne 254 mm
Pojemność kosza zbiorczego	65 l
Obudowa	stal
Deklarowany poziom hałasu	96 dB(A)
Maksymalny poziom wibracji	12,5 m/s (K=1,5)
Ciężar	31 kg

Możliwość zmiany tekstu i parametrów technicznych zastrzeżona.

Zastrzegamy sobie możliwość dokonywania zmian tekstu, designu i danych technicznych wyrobu bez uprzedzenia.

# 11. DEKLARACJA ZGODNOŚCI

## ES DEKLARACJA ZGODNOŚCI

My, Fast ČR, a.s., Černokostelecká 251 01 Říčany u Prahy, tel.:323204111, oświadczamy w sposób wiążący, że kosiarka benzynowa Fieldmann FZR 4618 BV (na tabliczce znamionowej został podany rok produkcji, a za nim numer seryjny maszyny) spełnia przepisy DYREKTYWY RADY:

2006/42/WE – 2004/108/WE – 2000/14/WE – 97/68/WE – 2002/88/WE

i została przetestowana zgodnie z poniższymi normami:

EN 55012  
EN 836 – EN 836/A4  
EN ISO 5395 – 1:2013  
EN ISO 5395 – 2:2013  
EN ISO 14982:2009  
EN ISO 3744:2010  
ISO 11094:1991

Firma FAST ČR, a.s. ma prawo działać w imieniu producenta.

CE label: 15

W Říčanach, dnia 18. 9. 2015

**FAST**  
ICO: 26726548  
DIČ: CZ26726548

FAST ČR, a.s.  
Černokostelecká 1621  
251 01 Říčany u Prahy  
tel.: +420/ 323 204 111  
fax: +420/ 323 204 110



Petr Uher  
Menedžer Jakości

## 12. LIKWIDACJA

### **WSKAZÓWKI I INFORMACJE DOTYCZĄCE GOSPODARKI ZUŻYTYM OPAKOWANIEM**

Zużyty materiał z opakowania należy przekazać na gminne wysypisko odpadów.



Maszyna i jej wyposażenie są wyprodukowane z różnych materiałów, np. z metalu i plastiku. Uszkodzone części należy oddać do punktu selektywnej zbiórki. Szczegółowych informacji udziela odpowiedni urząd.



Ten produkt spełnia wszelkie podstawowe wymagania dyrektyw UE, które go dotyczą.

Zastrzegamy sobie możliwość dokonywania zmian tekstu, designu i danych technicznych wyrobu bez uprzedzenia.

Instrukcja użycia w języku oryginalnym.



# Bencinska kosilnica za travo

## PRIROČNIK ZA UPORABNIKE

Zahvaljujemo se vam za nakup rotacijske bencinske kosilnice. Preden jo boste začeli uporabljati, pozorno preberite ta priročnik za uporabnike in ga shranite za kasnejšo uporabo.

### KAZALO

1. SPLOŠNA VARNOSTNA NAVODILA .....	94
Pomembne varnostne informacije.....	94
Embalaža .....	94
Priročnik za uporabnike .....	94
2. RAZLAGA OZNAK Z NAVODILI NA STROJU .....	95
3. OPIS KOSILNICE ZA TRAVO .....	97
4. SESTAVLJANJE/PRIPRAVA .....	97
Odstranitev kosilnice za travo iz kartonske embalaže.....	97
5. SESTAVLJANJE KOSILNICE .....	98
6. PRED ZAGONOM KOSILNICE.....	99
Nalivanje motornega olja .....	99
Nalivanje goriva .....	99
7. NADZIRANJE IN UPRAVLJANJE KOSILNICE.....	100
Zagon kosilnice .....	100
Nadziranje premikanja.....	101
Nastavitev hitrosti premikanja.....	101
Območje uporabe kosilnice .....	101
Košnja s košem za travo .....	101
Košnja z izmetom na zadnji strani.....	101
Košnja s stranskim izmetom .....	102
Mulčenje.....	102
Nastavljanje višine rezanja .....	102
Menjava rezil za košnjo .....	102
Menjava motornega olja .....	103
8. VARNOSTNA NAVODILA.....	103
Splošna varnostna navodila .....	103
Navodila za uporabo.....	104
9. VZDRŽEVANJE.....	105
Nega zelenice .....	105
Vzdrževanje .....	105
Servisiranje .....	106
Česa ne pokriva garancija .....	106
Shranjevanje.....	106
10. TEHNIČNE SPECIFIKACIJE .....	107
11. IZJAVA O SKLADNOSTI .....	108
12. ODSTRANJEVANJE MED ODPADKE .....	109

# 1. SPLOŠNA VARNOSTNA NAVODILA

## POMEMBNO VARNOSTNO OPOZORILO

- ✿ Izdelek pazljivo vzemite iz embalaže, pri tem pa pazite, da ne boste zavrgli nobenega dela embalaže, dokler ne boste ugotovili, da so vsi deli tudi prisotni.
- ✿ Kosilnico shranjujte na suho mesto, izven dosega otrok.
- ✿ Preberite vsa opozorila in navodila. Neupoštevanje opozoril ali navodil lahko privede do poškodb zaradi električnega udara, požara in/ali drugih resnih poškodb.

## EMBALAŽA


Izdelek je zapakiran v embalažo, ki preprečuje poškodbe med prevozom. Embalažo je možno v celoti reciklirati.

## UPORABNIŠKI PRIROČNIK

Preden kosilnico začnete uporabljati, si preberite naslednja varnostna in uporabniška navodila.

Seznajte se z elementi upravljanja in pravilno uporabo vrtnega kultivatorja. Uporabniški priročnik imejte na varnem in enostavno dostopnem mestu. Shranite originalno embalažo, material, garancijsko kartico in potrdilo o nakupu, vsaj za obdobje garancije.

Če morate kosilnico kamorkoli poslati, jo zapakirajte v originalno kartonsko škatlo in tako poskrbite za najboljšo zaščito med prevozom (tj. kadar potujete ali kadar morate poslati izdelek v popravilo).

 **Opomba:** Če boste napravo posojali drugi osebi, mu priložite tudi ta priročnik. Upoštevanje navodil v priročniku za uporabo, je predpogoj za pravilno uporabo drobilnika. V priročniku so tudi tudi navodila za uporabo, vzdrževanje in popravila.

**Proizvajalec ne odgovarja za nobene nesreče ali poškodbe, ki bi nastale zaradi neupoštevanja navodil v tem priročniku.**

## 2. RAZLAGA OZNAK NA NAPRAVI



Pred začetkom dela, si pazljivo preberite uporabniški priročnik.



Med uporabo kosilnice se v njeni bližini poleg uporabnika, ne sme nihče zadrževati.



Pozor, vrteča se rezila! Zavarujte se pred nevarnostjo poškodb udov.



Emisije strupenih plinov. Bencinske kosilce nikoli ne uporabljate v zaprtih in slabo zračenih prostorih.



Vroče površine, nevarnost opeklin!



Pred vzdrževalnimi deli izklopite motor in snemite pipico z vžigalne svečke.



Nikoli ne dolivajte bencina, če motor deluje.



Če ne upoštevate opozoril, obstaja nevarnost za telesne poškodbe, smrt ali poškodovanje naprave



Uporabljajte opremo za zaščito sluha.

Uporabljajte opremo za zaščito vida.

Uporabljajte opremo za zaščito dihal.



Od premikajočih se delov bodite vedno varno oddaljeni.



Klančine kosite vzdolžno, nikoli navpično ali navzdol.



Izpolnjuje določila vseh pristojnih direktiv EU.

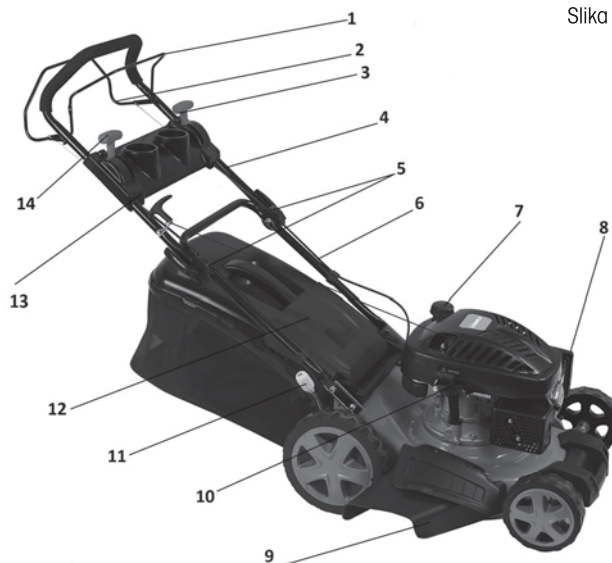


Bencin je izjemno vnetljiv, zato pred točenjem počakajte 2 minuti, da se motor ohladi.



### 3. OPIS KOSILNICE (sl. 1)

1. Ročica za zagon/zaustavitev
2. Ročica za premikanje
3. Ročica dušilne lopute
4. Zgornji del ročaja
5. Vijaki za ročaj s hitrimi sklopniki
6. Spodnji del ročaja
7. Pokrov posode za gorivo
8. Pokrov zračnega filtra
9. Stranski usmerjevalnik za praznjenje
10. Pokrov z merilno palico olja
11. Osrednja ročica za nastavljanje višine košnje
12. Pokrov lovilnika trave - zadnji usmerjevalnik
13. Upravljalna plošča
14. Ročica za nastavljanje hitrosti premikanja



Slika 1

### 4. SESTAVLJANJE/PRIPRAVA

Pred začetkom sestavljanj in zagonom bencinske kosilnice najprej skrbno preberite celoten priročnik za uporabnike in navodila, ki so v njem.

**▲ POMEMBNA INFORMACIJA:** Kosilnica je dobavljena **BREZ GORIVA IN MOTORNEGA OLJA** v motorju. Ta nova kosilnica je bila testirana v tovarni, to pa pomenim, da so lahko v motorju manjše količine ostankov motornega olja.

#### **ODSTRANITEV KOSILNICE IZ KARTONSKE EMBALAŽE**

Vzemite kosilnico iz kartonske embalaže in preberite, da bi embalaži ni ostal noben nepritrjen sestavni del.

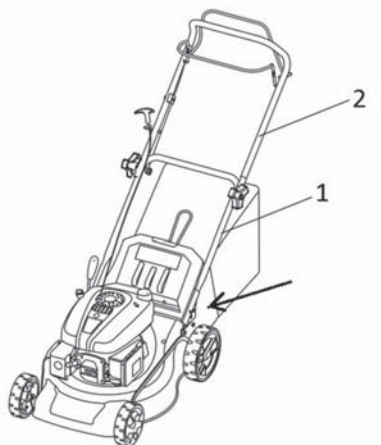
## 5. SESTAVLJANJE KOSILNICE

**⚠ POMEMBNA INFORMACIJA:** Skrbno odpakirajte ročaj kosilnice in pazite, da ne stisnete ali poškodujete krmilne kable kosilnice.

### 1. SESTAVLJANJE ROČAJA

1. Spodnji del ročaja (sl. 2 – točka 1) vstavite v ustrezni luknji na kosilnici (glejte puščico) in ga pritrдите na tem mestu s 4 vijaki – po dva vijaka na vsaki strani ročaja.
2. Zgornji del ročaja (sl. 2 – točka 2) pritrđite na spodnji del ročaja iz uporabite priložene vijaki s hitrim sklopnikom in maticami s krilci (sl. 2 – točka 3).

**⚠ POMEMBNA OPOMBA:** Ko se popustili hitri sklopnik, lahko brez težav nastavite višino ročaja in izberete najudobnejši položaj za delo.



Slika 2



### 2. NAMESTITEV PLOŠČE ROČAJA

Plastično ploščo ročaja pritrđite s priloženimi vijaki (sl. 3).



Slika 3

### 3. PRITRDITEV KOŠA ZA TRAVO

Plastične kavlje pritrдите na konec dela koša za travo iz blaga, v jekleni okvir (sl. 4).



Slika 4

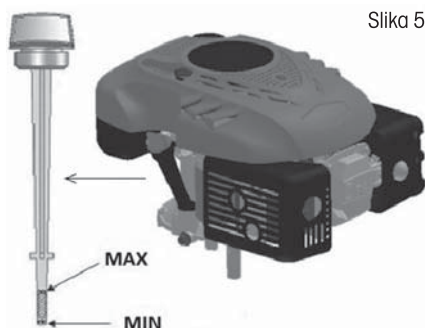
- ⚠ POMEMBNA OPOMBA:** Koš za travo ima indikator polnosti. To je plastično krilce na zadnjem delu koša za travo. Če koš za travo ni poln, je krilce dvignjeno. Ko se zapre, je treba izvleči koš za travo.

## 6. PRED ZAGONOM KOSILNICE

### NALIVANJE MOTORNEGA OLJA

**Kosilnica je dobavljena brez motornega olja. Pred prvim zagonom nalijte motorno olje SAE30 ali 15W-40 (približno 600 ml) v skladu z navodili v nadaljevanju.**

1. Ko nalivate olje, mora biti kosilnica nameščena na ravni površini.
2. Iz odprtine za dolivanje olja izvlecite pokrov z merilno palico (sl. 5).
3. Ko se nalili olje, namestite merilno palico nazaj v odprtino in jo zaprite.
4. Raven olja mor biti med zgornjo (MAX) in spodnjo (MIN) mejo (sl. 5).



Slika 5

- ⚠ Pozor!** NE PRENAPOLNITE posode z motornim oljem, sicer se bo ob zagonu iz izpuha kosilnice močno kadilo.
- ⚠ POMEMBNA INFORMACIJA:** Pred vsako uporabo kosilnice preverite raven olja. Če je treba, ga dolijte. Olje dolijte do oznake MAX na merilni palici olja.
- ⚠ POMEMBNA INFORMACIJA:** Po prvih 5 urah delovanja zamenjajte motorno olje in nato vsakih 25 ur delovanja.

### NALIVANJE GORIVA

**Za za motor je primeren normalni 95 oktanski neosvinčeni bencin**

Ko ste odvili pokrov rezervoarja za gorivo (sl. 1 – točka 7), nalijte gorivo vse do vratu rezervoarja za gorivo, a ga pri tem ne prenapolnite.

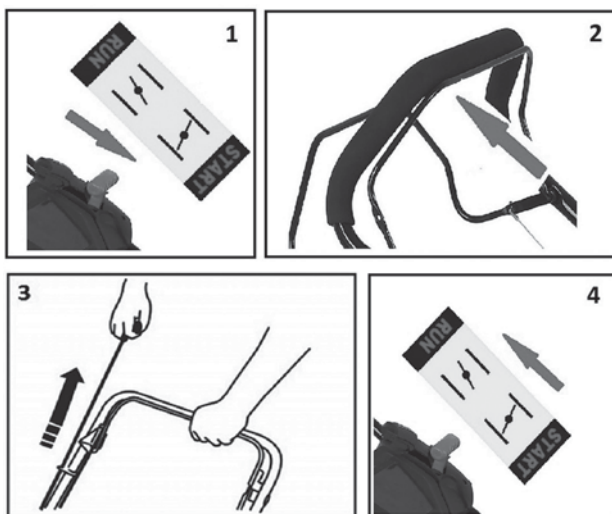
Vedno nalijte svež, čisti in odobren neosvinčeni bencin z oktanskim številom najmanj 95.

- ⚠ **Pozor!** V primeru, da se med dolivanjem polili olje ali gorivo po kosilnici, jo takoj obrišite. Nikoli ne shranjujte ali dolivajte olja ali ravnajte z njim v bližini odprtega ognja.
- ⚠ **Pozor!** Goriva, pomešana z alkoholom ali goriva z dodatki etanola ali metana vežejo nase vlago, ki se med shranjevanjem lahko izloči in tvori kisline. Posledično lahko hlapi kisline poškodujejo sistem za gorivo v motorju kosilnice. Takšnih goriv ni dovoljen uporabljati v kosilnici.
- ⚠ **POMEMBNA INFORMACIJA:** Če kosilnice ne boste uporabljali več kot 30 dni, posušite rezervoar za gorivo, zaženite stroj in ga pustite delovati, dokler se cevi za gorivo in uplinjač ne izpraznijo (kosilnica se bo ustavila sama). To bo preprečilo težave z motorjem v prihodnje. Pred ponovno uporabo nalijte v rezervoar za gorivo sveže gorivo. Za več informacij glejte poglavje Navodila za shranjevanje.

## 7. NADZIRANJE IN UPRAVLJANJE KOSILNICE

### ZAGANJANJE KOSILNICE

1. Če motor še ni segret, nastavite ročico čoka na položaj Zagon (sl. 6 - točka 1). Če je motor že segret, ostane ročice v položaju DELOVANJE.
2. Povlecite zaganjalno/zavorno ročico proti ročaju in jo zadržite tam (sl. 6 – točka 2), nato povlecite za potezno vrvico (sl. 6 – točka 3). Motor bi se moral zagnati po 3-4 potegih.
3. Po zagonu motorja, postavite ročico čoka na položaj DELOVANJE (sl. 6 - točka 4).
4. Motor ugasnete tako, da sprostite ročico za zagon/zaustavitev.



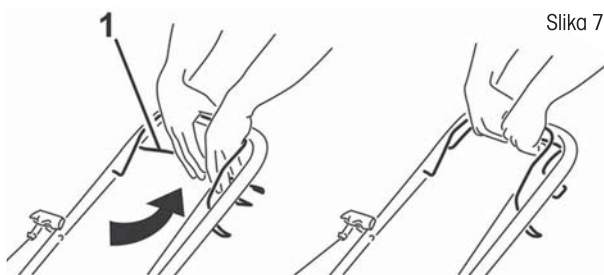
Slika 6

- ⚠ **Pozor!** Ob prvem zagonu motorja se lahko pokaže manjša količina dima, razlog je zaščitna plast v motorju, ki zgori. To je popolnoma normalno in ne predstavlja težave.

## NADZIRANJE PREMIKANJA

Premikanje nadzirate z uporabo ročice za premikanje (sl. 7 – točka 1). Ko boste ročico za premikanje povlekli proti ročaju, se bo kosilnica začela premikati naprej.

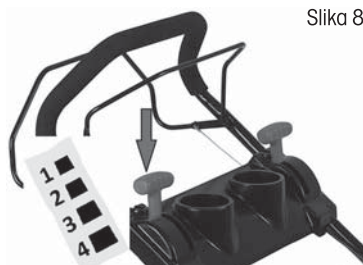
Da bi kosilnico ustavili, spustite ročico. Ta kosilnica ima le eno stalno hitrost.



Slika 7

## NASTAVITEV HITROSTI PREMIKANJA

Kosilnica ima prilagodljivo prestavo za hitrost, ki omogoča nastavljanje hitrosti premikanja. Nastavite jo z desno ročico na plošči ročaja (sl. 8). Izbirate lahko 4 različne hitrosti. Ko je ročica v položaju 1, se kosilnica premika zelo počasi. Ko je ročica v položaju 4, se kosilnica premika hitro.



Slika 8

**⚠ Pomembna informacija:** ROČICO ZA SPREMINJANJE HITROSTI PREMIKAJTE LE, KO MOTOR DELUJE.

## OBMOČJE UPORABE BENCINSKE KOSILNICE

Košnja z zbiranjem pokošene trave v koš za travo

Košnja z izmetom trave skozi zadnjo odprtino

Košnja s stranskim izmetom

Mulčenje - košnja s prostim puščanjem pokošene trave na trati

### KOŠNJA S KOŠEM ZA TRAVO

Ko je nameščen koš za travo, se bo pokošena trava nabirala v košu za travo

### KOŠNJA Z IZMETOM NA ZADNJI STRANI

Brez nameščenega koša za travo pa pokrov koša za travo deluje kot usmerjevalnik, ki usmerja pokošeno travo na tla. Ob tem nastaja za kosilnico plast pokošene trave.

## KOŠNJA S STRANSKIM IZMETOM

**⚠ Pozor!** Stranski usmerjevalnik pritrdite in odstranite le, ko je motor ugasjen.

Pokrov stranskega usmerjevalnika dvignite z roko in namestite usmerjevalnik izmeta (sl. 9). Da bi lahko kosili s stranskim izmetom, morate namestiti vstavek za mulčenje v odprtino za izmet..



Slika 9

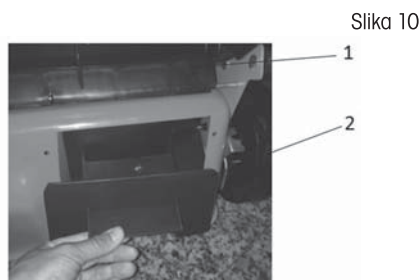
## MULČENJE

**⚠ Pozor!** Vstavek za mulčenje pritrjujete ali odstranjujete le, če motor ne deluje.

**⚠ Pozor!** Med mulčenjem uporabljajte le originalne pripomočke.

1. Odstranite koš za travo in primite z roko pokrov plastičnega koša za travo (sl. 10 – točka 1)
2. Vstavek za mulčenje namestite v odprtino za izmet (sl. 10 – točka 2) in se prepričajte, ali je vstavek trdno nameščen.

**⚠ POMEMBNA INFORMACIJA:** Visoke trave ne mulčite naenkrat, kajti tako boste preprečili preobremenjevanje mehanizma za košnjo ter motorja.



Slika 10

## NASTAVLJANJE VIŠINE REZA

Višino reza lahko nastavite z osrednjo ročico (slika 1 – točka 11). Izbirate lahko med 5 položajev v obsegu 25 do 75 mm. Za košnjo večine trat je najprimernejša je srednja višina reza.

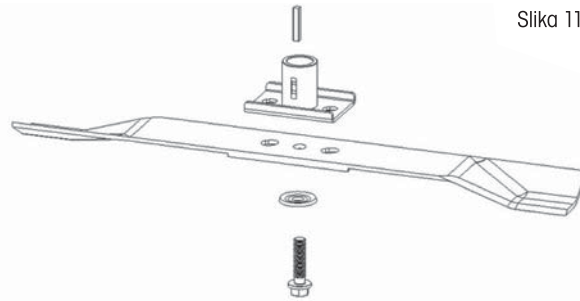
Trato lahko poškodujete, če je nastavljena najnižja višina reza.

## MENJAVA REZIL ZA KOŠNJO

**⚠ Pozor!** Za to opravilo priporočamo, da se posvetujete s pooblaščenim servisom.

**⚠ Pozor!** Pred odstranjevanjem rezil izlijte motorno olje iz posode za olje.

Če želite zamenjati rezilo za košnjo odstranite vijak (sl. 11). Novi nož namestite tako, kot je prikazano na sliki. Zategnite vijak. Vijak zategnite z navorom 40 Nm. Ob zamenjavi rezila zamenjajte tudi pritrilni vijak.



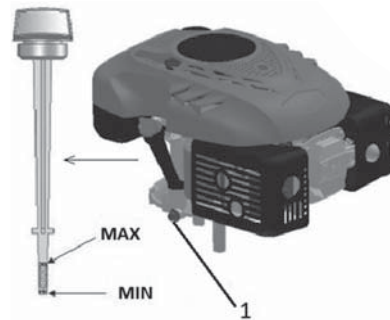
Slika 11

## MENJAVA MOTORNEGA OLJA

**⚠ Pozor!** Za to opravilo priporočamo, da se posvetujete s pooblaščenim servisom.

Vijak za izpust olja je pod motorjem (sl. 12 – točka 1). Za preprečitev izrabljenega olja postavite pod motor ustrezno posodo in odstranite čep. Med odtekanjem olja lahko kosilnico še dodatno nagnete in tako zagotovite, da bo iz nje izteklo vse olje. Po tem vijak za izpust čvrsto privijte nazaj in obrišite morebitne ostanke olja. V posodo za motorno olje nalijte olje vrste 15W-40. Ko je merilna palica za olje vstavljena v odprtini in privita, naj bo raven olja med oznakama Min in Max (sl. 12). Pazite, da ne natočite preveč olja.

Zaženite motor in ga pustite nekaj časa delovati. Nato motor ugasnite, počakajte 1 minuto in ponovno preverite raven olja. Če je treba, dolijte motorno olje do potrebne ravni.



Slika 12

# 8. VARNOSTNA NAVODILA

## SPLOŠNA VARNOSTNA NAVODILA

- ☛ Ta izdelek je izključno namenjen košnji trave. Zato ga nikoli ne uporabljajte za druge namene, kot je predviden. V nasprotnem primeru lahko pride do poškodb ali okvar.
- ☛ Otrokom ali osebam, ki niso seznanjene v vsebino priročnika za uporabo, ne dovolite uporabe naprave.
- ☛ Oseba, ki uporablja kosilnico je izključno odgovorna za svojo varnost in za varnost prisotnih. Kosilnice nikoli ne uporabljajte blizu drugih ljudi, otrok ali izpuščenih domačih živali.
- ☛ Pred začetkom košenja preverite teren glede kamnov, žic, palic, črepinj, kosti in drugih tujkov, ki bi lahko zašli med rezila in posledično povzročili poškodbe.

## NAVODILA ZA UPORABO

- ✿ Vse matice in vijaki morajo biti ustrezno privite(i), kajti le tako bo kosilnica vedno v brezhibnem stanju za delovanje.
- ✿ Kosilnice nikoli ne uporabljajte, če ni nima nameščene košare za travo ali zaščitnega pokrova.
- ✿ Kosilnice nikoli ne uporabljajte, če rezila niso brezhibno pritrjena. Pred začetkom košnje preverite privitost vijakov. Topa rezila morate naostriti enakomerno. Poškodovana rezila morate zamenjati z novimi.
- ✿ Če uporabljate kosilnico, imejte oblečene dolge hlače in obuto čvrsto obutev.
- ✿ Kosilnice nikoli ne zaganjajte v zaprtih ali slabo zračenih prostorih, kjer bi se lahko kopičili hlapi. Izpušni plini motorja kosilnice vsebujejo ogljikov monoksid, ki je smrtno nevaren.
- ✿ Kosilnico uporabljajte le ob ustrezni osvetlitvi (podnevi ali ob ustrezni umetni osvetlitvi).
- ✿ Kosilnice nikoli ne uporabljajte, če dežuje ali je trava mokra.
- ✿ Bodite še posebej pozorni, če kosilnico uporabljate na poševnem terenu (na klančinah). V tem primeru kosite pravokotno na površino, vzporedno s klančino in nikoli neposredno gor in dol.
- ✿ Nikoli in v nobenem primeru delujoče kosilnice ne puščajte brez nadzora; če morate kam oditi, ugasnite motor.
- ✿ Med zaganjanjem kosilnice nikoli ne dvigujte njenega zadnjega dela, med delovanjem motorja pa imejte dele telesa varno oddaljene od vrtečih se rezil ali zadnje odprtine za izmetavanje.
- ✿ Nikoli ne spreminjajte tovarniško nastavljenih vrtljajev motorja.
- ✿ Pri kosilnicah s pogonom pred zaganjanjem sprostite ročico za premikanje.
- ✿ Med prevažanjem naj bo motor kosilnice ugasnjen.
- ✿ V naslednjih primerih ugasnite motor in snemite pipico vžigalne svečke:
  - če led ohišjem kosilnice ali v zadnji odprtini za izmetavanje opravljate kakršnakoli dela.
  - med vzdrževanjem, popravili ali pregledovanjem motorja.
  - pred prenašanjem, dviganjem ali prevažanjem.
  - če nameravate kosilnico za nekaj časa pustiti brez nadzora oziroma boste spreminjali nastavitve višine rezanja.
  - pred odstranjevanjem in praznjenjem košare za travo.
  - če rezila trčijo ob oviro, ugasnite motor in pazljivo preverite stanje in brezhibnost delovanja kosilnice. V primeru, da opazite poškodbe, odpeljite kosilnico k pooblaščenemu serviserju.

**⚠ POZOR:** Rezilo se po ugasnitvi motorja še nekaj časa prosto vrti.

- če opazite neobičajne vibracije kosilnice (takoj ugotovite in odpravite vzrok vibracij).
- zaradi zagotavljanja varne uporabe kosilnice, redno preverjajte privitost vijakov in matic.

**⚠ POZOR:** BENCIN JE IZJEMNO VNETLJIVA TEKOČINA.

- ✿ Gorivo vedno shranjujte v ustreznih posodah.
- ✿ Gorivo točite le v odprtih in dobro zračenih prostorih. Med rokovanjem z gorivom nikoli ne kadite, niti ne uporabljajte mobilnega telefona.
- ✿ Gorivo točite le, če je motor ugasnjen. Če motor deluje ali je vroč, posode za gorivo ne odpirajte.



- ☼ Če se gorivo razlije, motorja ne zaganjajte. Če je prišlo do razlitja goriva, odpeljite kosilnico proč in poskrbite, da ne bo prišlo do vžiga. Z delom nadaljujte le, ko se bo razlito gorivo vpilo, hlapi pa izhlapeli;
- ☼ Po točenju goriva trdno privijte pokrovček posode za gorivo.

**⚠ POZOR:** Pred vzdrževalnimi deli ali popravili, izklopите motor in snemite pipico z vžigalne svečke.

## 9. VZDRŽEVANJE

### NEGA ZELENICE

- ☼ Glede na stanje in vrsto zelence, slednjo lahko negujete na različne načine.
- ☼ Priporočamo vam, da si pred setvijo trave natančno preberete navodila, ki so na embalaži semen ter upoštevate priporočeno višino rezanja in stanje terena.
- ☼ Pri tem upoštevajte, da travno bilko sestavljata steblo in eden ali več listov.  
Če travo porežete do konca, je lahko celotna zelenica tako poškodovana, da se bo le težko zarasla.
- ☼ V osnovi vam priporočamo, da upoštevate naslednja izhodišča:
  - prekomerno nizko rezanje škoduje koreninam, zato pride do "pikastega" videza;
  - med poletjem naj bo trava višja, kajti to preprečuje, da bi se ruša prekomerno izsušila;
  - pri košnji mokre trave se rezila zaradi težjega izmetavanja izdatneje zapacajo, travne bilke pa se pulijo iz podlage;
  - če je trava zelo visoka, priporočamo, da prvi rez opravite na najvišje nastavljeni izbiri, nato pa po dveh ali treh dneh ponovite postopek z nižjo nastavitvijo rezanja.
- ☼ Zelenica bo videti veliko lepše, če jo boste redno kosili v celoti ter v različnih smereh.

### VZDRŽEVANJE

- ☼ Vse matice in vijaki morajo biti ustrezno privite(i), kajti le tako bo kosilnica vedno v brezhibnem stanju za delovanje. Zato je redno vzdrževanje osnova za zagotavljanje temeljne varnosti uporabnika in ohranjanje kosilnice v brezhibnem stanju za delovanje.
- ☼ Kosilnice, ki ima v posodi za gorivo bencin, nikoli ne shranjujte v notranjih prostorih, kjer bi hlapu goriva lahko prišli v stik z odprtim ognjem, viri iskrenja ali viri visoke temperature.
- ☼ Pred shranjevanjem kosilnice v zaprtem prostoru, naj se slednja ustrezno ohladi.
- ☼ Zaradi zmanjševanja tveganja za požar, poskrbite, da na kosilnici, še posebej na motorju, izpušni cevi, akumulatorju in mestih, kjer shranjujete rezervno gorivo, ne bo ostankov trave, listja ali odvečnih količin maziv.
- ☼ Redno preverjajte stanje deflektorja in košare za travo; če je treba, ju izpraznite ali očistite.
- ☼ Odvečno gorivo praznite iz posode le, v dobro zračenih prostorih in še to le, ko se motor ustrezno ohladi.
- ☼ Pri odstranjevanju ali nameščanju rezil, imejte nameščene tanke zaščitne rokavice.
- ☼ Uravnoteženost rezil morate preveriti ob vsakem ostrenju.

**⚠ POZOR:** Pred vzdrževalnimi deli ali popravili, izklopите motor in snemite pipico z vžigalne svečke.

- ☼ Redno preverjajte stanje kosilnice in poskrbite, da se na spodnjem delu ogrodja ne boso kopičile nečistoče ter ostanki trave.
- ☼ Poskrbite, da bodo os ogrodja in ležaji ustrezno namaščeni s primernim mazivom.
- ☼ Redno preverjajte stanje rezil, kajti slednja imajo pomemben učinek na učinkovitost delovanja kosilnice. Rezila naj bodo vedno ostra in uravnotežena.

- ✿ Redno preverjajte, če so vse matice in vijaki dobro prite(i). Matice in vijaki, ki so poškodovane(i) ali neustrezno prite(i), lahko povzročijo trajne poškodbe motorja ali ogrodja.
- ✿ Če rezilo trdno udari ob oviro, prenehajte z delom, kosilnico pa dajte na popravilo k pooblaščenemu serviserju.
- ✿ REZILO: je narejeno iz kovanega jekla. Za doseganje najboljših rezultatov pri košenju, rezila redno ostrite, priporočamo, da vsakih 25 ur uporabe. Poskrbite, da bodo rezila vedno ustrezno uravnotežena. To storite tako, da v osrednjo luknjo rezila vstavite jekleno os (primera 2-3 mm). Če je rezilo pravilno uravnoteženo, bo na osi ostalo v vodoravnem položaju.
- ✿ Če rezilo ne ostane v vodoravnem položaju, ni uravnoteženo, zato ga ne smete uporabiti.
- ✿ Pri menjavi rezil, najprej odvijte vijak in preverite najbolj obremenjeni del rezila. Če je rezilo obrabljeno ali poškodovano, ga zamenjajte.

**⚠ POZOR:** Vedno uporabljajte le originalne nadomestne dele. Nekakovostni nadomestni deli lahko povzročijo resne poškodbe kosilnice in privedejo do telesnih poškodb.

### SERVISIRANJE

- ✿ Če po nakupu kosilnice ugotovite morebitno napako, se obrnite na servisno službo. Pri uporabi naprave upoštevajte navodila iz uporabniškega priročnika.
- ✿ Če ne boste upoštevali navodil za uporabo naprave, ki so navedena v tem uporabniškem priročniku, vaš morebitni reklamacijski zahtevek ne bo upoštevan.

### GARANCIJA NE POKRIVA

- ✿ Normalne obrabe delov naprave kot posledice njene uporabe
- ✿ Servisnih opravil, ki se nanašajo na redno vzdrževanje (npr. čiščenje, mazanje, nastavljanje itd.) Okvar zaradi zunanjih vplivov (npr. zaradi klimatskih razmer, prašenja, neustrezne uporabe itd.)
- ✿ Mehanskih poškodb, ki nastanejo pri padcu naprave, trku itd.
- ✿ Poškodb zaradi nestrokovnega rokovanja, preobremenitve ter uporabe neustreznih rezervnih delov ali orodja itd.
- ✿ Če na izdelkih, ki nam jih vrnete v popravilo, zaradi neustrezne zaščite med prevozom pride do poškodb, je odgovornost zanje izključno pošiljateljeva.

### SHRANJEVANJE

- ✿ Če kosilnice dlje časa ne boste uporabljali, jo, skladno z naslednjimi navodili, pripravite na shranjevanje. To bo podaljšalo življenjsko dobo naprave.
- ✿ Popolnoma izpraznite gorivo iz posode za gorivo in uplinjača.
- ✿ Odvijte vžigalno svečko in v glavo motorja vlijte nekaj motornega olja. Z občutkom, 2 do 3 krat, povlecite vrvico za zaganjanje.
- ✿ Za čiščenje zunanjih površin kosilnice uporabljajte čisto krpo. Kosilnico shranite na suhem in čistem mestu.

## 10. TEHNIČNE SPECIFIKACIJE

Vrsta motorja	OHV, zračno hlajeni, 4-taktni
Nazivna moč	2,50 kW
Štev. vrtlj. motorja	3000 vrt/min
Delovna prostornina	139 cm <sup>3</sup>
Premikanje	4 različne hitrosti
Zaganjanje	Zaganjalna vrvica
Prostornina rezervoarja za gorivo	1,2 litra
Priporočeno gorivo	Neosvinčeni bencin, najmanj 95 oktanov
Posoda za motorno olje	0,6 l
Priporočeno motorno olje	SAE30, 15W-40
Nastavitev višina reza	Osrednje, 8 položajev
Obseg nastavljive višine košnje	25-70 mm
Površina košnje	460 mm
Velikost koles	Spredaj 178 mm, zadaj 254 mm
Prostornina košare za travo	65 l
Šasija	jeklo
Navedena raven hrupa	96 dB (A)
Največja raven tresijajev	12,5 m/s (K=1,5)
Teža	31 kg

Pridržujemo si pravico do spreminjanja besedila in tehničnih parametrov.

Pridržujemo si pravico za spreminjanje besedila, oblike in tehničnih specifikacij brez opozorila.

# 11. IZJAVA O SKLADNOSTI

## EU IZJAVA O SKLADNOSTI

Mi, Fast ČR, a.s., Černokostelecká 251 01 Říčany u Prahy, tel.:323204111, tukaj izjavljamo, da bencinska kosilnica Fieldmann FZR 4618 BV (leto izdelave je navedeno na podatkovni ploščici in mu sledi serijska številka naprave), izpolnjuje določila direktiv, DIREKTIVA SVETA EU:

2006/42/ES – 2004/108/ES – 2000/14/ES – 97/68/ES – 2002/88/ES

so bile preizkušene v skladu s spodnjimi pravili:

EN 55012

EN 836 – EN 836/A4

EN ISO 5395-1:2013

EN ISO 5395 – 2:2013

EN ISO 14982:2009

EN ISO 3744:2010

ISO 11094:1991

FAST ČR a.s. je pooblaščen za ukrepanje v imenu proizvajalca.

CE oznaka: 15

V kraju Říčany, dne 18. 9. 2015

**FAST**

ICO: 26726548  
DIČ: CZ26726548

FAST ČR, a.s.  
Černokostelecká 1621  
251 01 Říčany u Prahy  
tel.: +420/ 323 204 111  
fax: +420/ 323 204 110



Petr Uher

Odgovorna oseba za kakovost

## 12. ODLAGANJE

### NAVODILA IN INFORMACIJE O ODSTRANJEVANJU UPORABLJENE EMBALAŽE MED ODPADKE

Rabljeno embalažo odlagajte na mestih za ločeno zbiranje odpadkov.



Naprava in njeni dodatki so izdelani iz različnih materialov, npr. iz kovine in plastike. Poškodovane dele dostavite v reciklažni center. Za podrobnosti se posvetujte pri ustreznem državnem organu.



Ta izdelek izpolnjuje vse osnovne zahteve, ki jih predpisujejo direktive EU.

Pridrujemo si pravico za spreminjanje besedila, oblike in tehničnih specifikacij brez opozorila.

Uporabniški priročnik v izvirnem jeziku.











Vyplní prodejce. | Vypní predajca. | To be filled in by the seller.  
| Wypełnia sprzedawca. | A kereskedő tölti ki.

Název: | Názov: | Name: | Nazwa: | Megnevezés:

Typ: | Type: | Típus:

Výrobní číslo: | Výrobné číslo: | Serial number: | Numer seryjny: | Gyártási szám:

V prípade opravy vyplní servis. | V prípade opravy vyplní servis. | To be filled in by a repair shop  
in case of repair. | W przypadku naprawy wypełnia serwis. | Javítás esetén a szerviz tölti ki.

Datum oznámení nároku na záruku: | Dátum oznámenia nároku na záruku: | Date of notification of the entitlement to warranty: | Data zgłoszenia roszczeń gwarancyjnych: | A jótállási igény bejelentésének időpontja:

Den: | Deň: | Day: | Dzień: | Nap: ..... Měsíc: | Mesiac: | Month: | Miesiąc: | Hő: ..... Rok: | Év: | Year: | Év: **20** .....

Datum převzetí do opravy: | Dátum prevzatia do opravy: | Data przyjęcia do naprawy: | Date of accepting for repair: | Javításra átvétel időpontja:

Den: | Deň: | Day: | Dzień: | Nap: ..... Měsíc: | Mesiac: | Month: | Miesiąc: | Hő: ..... Rok: | Év: | Year: | Év: **20** .....

Důvod poruchy: | Důvod poruchy: | Cause of defect: | Przyczyna awarii: | Hiba oka:

A termék azonosításra alkalmas részecinek meghatározása (amennyiben alkalmazható):

Číslo prodejního dokumentu: | Číslo predajného dokumentu: | Sales document no.: | Numer dokumentu sprzedawcy: | Vásártást igazoló bizonylat száma:

Datum nákupu (uvedení do provozu): | Dátum nákupu (uvedenie do prevádzky): | Date of purchase (putting into operation): | Data zakupu (przekazania do eksploatacji): | A vásárlás (üzembe helyezés) időpontja:

Den: | Deň: | Day: | Dzień: | Nap: ..... Měsíc: | Mesiac: | Month: | Miesiąc: | Hő: ..... Rok: | Év: | Year: | Év: **20** .....

Razítka prodejce: | Pečiatka predajcu: | Seller's stamp: | Pieczęć sprzedawcy: | Kereskedő bélyegzője:

Způsob opravy: | Spôsob opravy: | Mode of repair: | Sposób naprawy: | Javítás módja:

Datum vráčení výrobku zpět zákazníkovi: | Dátum vrátenia výrobku späť zákazníkovi: | Date of returning the product back to the customer: | Data zwrotu wyrobu klientowi: | A termék fogyasztó részére való visszaadásának időpontja:

Den: | Deň: | Day: | Dzień: | Nap: ..... Měsíc: | Mesiac: | Month: | Miesiąc: | Hő: ..... Rok: | Év: | Year: | Év: **20** .....

Nová záruční lhůta – prodloužená o délku opravy: | Nová záručná lehota – predĺžená o dĺžku opravy: | New warranty period – extended by the duration of the repair: | Nowy termin gwarancyjny – przedłużony o czas naprawy: | A jótállás – kijavítás időtartamával meghosszabbított – új határideje:

Den: | Deň: | Day: | Dzień: | Nap: ..... Měsíc: | Mesiac: | Month: | Miesiąc: | Hő: ..... Rok: | Év: | Year: | Év: **20** .....

Razítko servisu: | Pečiatka servisu | Stamp of the repair shop: | Pieczęć serwisu: | Szerviz pecsétje:

Autorizovaná servisní střediska | Autorizované servisné strediská | Authorized service centres

**FAST ČR, a. s.**

Černokostelecká 1621  
CZ 251 01 Říčany  
Česká republika  
Tel.: +420/ 323 204 120  
Fax: +420/ 323 204 121  
servis.praha@fastcr.cz  
www.fastcr.cz

**FAST ČR, a. s.**

Cejl 31  
CZ 602 00 Brno  
Česká republika  
Tel.: +420/ 531 010 295  
Fax: +420/ 531 010 296  
servis.brno@fastcr.cz  
www.fastcr.cz

**Fast Plus, spol. s r. o.**

Na Pántoch 18  
SK 831 06 Bratislava  
Slovenská republika  
Tel.: +421/2/49 105 854  
Fax: +421/2/49 105 859  
servis@fastplus.sk  
www.fastplus.sk

További információkért | Aby uzyskać więcej informacji | További információkért

**Fast Hungary Kft.**

Dulácska u. 1/a.  
H-2045 Törökbálint  
Magyarország  
Tel.: + 36/ 23 330 905  
Fax: + 36/ 23 330 827  
info@fasthungary.hu  
www.fasthungary.hu

**Arconet sp. z o.o.**

W celu znalezienia  
najbliższego serwisu  
prosimy zadzwonić:  
0801 44 33 22  
Lub odwiedzić stronę  
internetową:  
www.arconet.pl

**Uab „Senuku Prekybos**

Centras“ Garantinis Servisas  
Jonavos G. 62, Lt-44192,  
Kaunas, Lithuania  
Tel.: +370 37 212 146  
Tex.: +370 37 212 165  
garrem@senukai.lt  
www.senukai.lt

## Záruční podmínky

Prodávající poskytuje kupujícímu na výrobek záruku v trvání 24 měsíců od převzetí výrobku kupujícími. Záruka se poskytuje za dále uvedených podmínek. Záruka se vztahuje pouze na nově zboží prodané spotřebiteli za účelem použití uvedeném v příslušném návodu k obsluze. Práva z odpovědnosti za vady (reklamací) může kupující uplatnit buď u prodávajícího, u kterého byl výrobek zakoupen nebo u níže uvedeném autorizovaném servisu. Kupující je povinen reklamaci uplatnit bez zbytečného odkladu, aby nedocházelo ke zhoršení vady, nepožádá-li však do konce záruční doby. Kupující je povinen poskytnout při reklamaci součinnost nutnou pro ověření existence reklamované vady. Do reklamčního řízení se přijímá pouze kompletní a z důvodů dodržení hygienických předpisů čistý výrobek. V případě oprávněné reklamace se záruční doba prodlužuje o dobu od okamžiku uplatnění reklamace do okamžiku převzetí opraveného výrobku kupujícími nebo okamžiku, kdy je kupující po skončení opravy povinen výrobek převzít. Kupující je povinen prokázat svá práva reklamovat (doklad o zakoupení výrobku, záruční list, doklad o uvedení výrobku do provozu...).

### Záruka se nevztahuje zejména na:

- vady, na které byla poskytnuta sleva
- opotřebení a poškození vzniklé běžným užíváním výrobku
- po-

- skosení výrobku v důsledku neodborné či nesprávné instalace, použití výrobku v rozporu s návodem k obsluze, platnými právními předpisy a obecně známými a obvyklými způsoby používání, v důsledku použití výrobku k jinému účelu, než ke kterému je určen
- poškození výrobku v důsledku zanedbané nebo nesprávné údržby
- poškození výrobku způsobené jeho znečištěním, nehodou a zásahem vyšší moci (živelná událost, požár, vniknutí vody...)
- vady funkčnosti výrobku způsobené nevhodnou kvalitou signálu, rušivým elektromagnetickým polem apod.
- mechanické poškození výrobku (např. úlohami koflíků, pád...)
- poškození způsobené použitím nevhodných médií, náplní, spotřebního materiálu (baterie) nebo nevhodnými pracovními podmínkami (např. vysoké okolní teploty, vysoká vlhkost prostředí, otrasy...)
- poškození, úpravou nebo jiný zásah do výrobku provedený neoprávněnou nebo neautorizovanou osobou (servisem)
- případy, kdy kupující při reklamaci neprokáže oprávněnost svých práv (kdy je dále reklamovaný výrobek zakoupen) ■ případy, kdy se údaje v předložených dokladech liší od údajů uvedených na výrobku ■ případy, kdy reklamovaný výrobek není ztotazován s výrobkem uvedeným v dokladech, kterými kupující prokazuje svá práva reklamovat (např. poškození výrobního čísla nebo záruční plombu přístroje, přepisované údaje v dokladech...)

## Záruční podmienky

Preddávajúcí poskytuje kupujúciemu na výrobok 24 mesiacov záruku od jeho prevzatia kupujúci. Záruka sa poskytuje ďalej za nižšie uvedených podmienok. Záruka sa vzťahuje iba na spotrebný tovar predaný spotrebiteľovi na bežné domáce použitie. Práva zo zodpovednosti za chyby (reklamácie) môže kupujúci uplatniť buď u predávajúceho, u ktorého bol výrobok zakúpený alebo v nižšie uvedenom autorizovanom servise. Kupujúci je povinný reklamáciu uplatniť bez zbytočného odkladu, aby nedochádzalo ku zhoršeniu chyby, najneskôr však do konca záručnej doby. Kupujúci je povinný pri reklamacii spracovať postup o overení existencie reklamovanej chyby. Do reklamčného procesu sa prijíma iba kompletný a z dôvodu dodržania hygienických predpisov neznečistený výrobok. V prípade oprávnenej reklamácie sa záručná doba predlžuje o dobu od okamžiku uplatnenia reklamácie do okamžiku prevzatia opraveného výrobku kupujúci, kedy je kupujúci po skončení opravy povinný výrobok prevziať. Kupujúci je povinný preukázať svoje práva reklamovať (doklad o zakúpení výrobku, záruční list, doklad o uvedení výrobku do prevádzky...).

### Záruka sa nevztahuje na:

- chyby, na ktoré boli poskytnuté zľavy
- opotrebenie a poškodenia vzniknuté bežným užíváním výrobku
- poškodenie výrobku v dôsledku neodborného

- či nesprávnej inštalácie, použitia výrobku v rozpore s návodom na použitie s platnými právnymi predpismi a všeobecne známymi a obvyklými spôsobmi používania, v dôsledku použitia výrobku za iným účelom, než na ktorý je určený
- poškodenie výrobku v dôsledku zanedbaného alebo nesprávneho údržby
- poškodenie výrobku spôsobené jeho znečistením, nehodou a zásahom vyššej moci (živelná událosť, požár, vniknutie vody...)
- chyby funkčnosti výrobku spôsobené nevhodnou kvalitou signálu, rušivým elektromagnetickým polom a pod.
- mechanické poškodenie výrobku (napr. zlomenie gombíka, pád...)
- poškodenie spôsobené použitím nevhodných médií, náplní, spotrebného materiálu (baterie) alebo nevhodnými prevádzkovými podmienkami (napr. vysoké teploty v okolí, vysoká vlhkosť prostredia, otrasy...)
- poškodenie, úpravou alebo iným zásahom do výrobku provedeným neoprávněnou alebo neautorizovanou osobou (servisom)
- prípady, keď kupujúci pri reklamacii nepreukáže oprávněnost svojich práv (kedy a dále reklamovaný výrobek zakúpen) ■ prípady, keď sa údaje v predložěných dokladech lišú od údajů uvedených na výrobku
- případy, keď reklamovaný výrobek sa neshoduje s výrobkom uvedeným v dokladech, kterými kupující prokazuje svoje práva reklamovat (např. poškození výrobního čísla alebo záruční plombu přístroja, přepisované údaje v dokladech...)

## Conditions of guarantee

This product is warranted for the period of 24 months from the date of purchase to the end-user. Warranty is limited to the following conditions. Warranty is referred only to the customer goods used for common domestic use. The claim for service can be applied either at dealer's shop where the product was bought, or at below mentioned authorized service shops. The end-user is obligated to set up a claim immediately when the defects appeared but only till the end of warranty period. The end-user is obligated to cooperate to certify the claiming defects. Only completely and clean (according to hygienic standards) product will be accepted. In case of eligible warranty claim the warranty period will be prolonged by the period from the date of claim application till the date of taking over the product by end-user, or the date the end-user is obligated to take it over. To obtain the service under this warranty, end-user is obligated to certify his claim with duly completed following documents: receipt, certificate of warranty, certificate of installation...  
**This warranty is void especially if apply as follows:** ■ Defects which were put on sale. ■ Wear-out or damage caused by common use.

- The product was damaged by unprofessional or wrong installation, used in contrary to the applicable instruction manual, used in contrary to legal enactment and common process of use or for another purpose which has been designed for
- The product was damaged by unprepared-for or insufficient maintenance
- The product was damaged by dirt, accident of force majeure (natural disaster, fire, flood...)
- Defects on functionality caused by low quality of signal, electromagnetic field interference etc.
- The product was mechanically damaged (e.g. broken button, fall...)
- Damage caused by use of unsuitable media, fillings, expendable supplies (batteries) or by unsuitable working conditions (e.g. high temperatures, high humidity, quakes...)
- Repair, modification or other failure action to the product by unauthorized person
- End-user did not prove enough his right to claim (time and place of purchase)
- Data on presented documents differs from data on products
- Cases when the claiming document can not be identified according to the presented documents (e.g. the serial number or the warranty seal has been damaged).

## Jótállási feltételek

A FAST Hungary Kft. a termékre a fogyasztó részére történő átadását (vásárlását), illetve ha az az elvezetéséhez a forgalmazó vagy annak megbízottja végzi, az izembe helyezettől számított 24 hónapig tartó időtartamra vállal jótállást. A jótállási igény a jótállási jeggyel, a vásárlásról (izembe helyezettől) számított 1 évig a termék értékesítő forgalmazójánál, illetve a jótállási jegyen feltüntetett hivatalos szerviznél közvetlenül is, míg a 13. hónaptól a 24 hónapig kizárólag a hivatalos szerviznél érvényesíthető.

Jótállási jegy hiányában a fogyasztói szerződés megkötését bizonyítottak kell tekinteni, ha a fogyasztó bemutatja a termék ellenértékének megfizetését hitelt érdemlően igazoló bizonylatot. Mindezek érdekében kérjük tisztelt Vásárlóinkat, hogy őrizzék meg a fizetési bizonylatot is. A jótállási időn belüli meghibásodás esetén a fogyasztó (i) elsősorban a vásárlás óta szerzett a hibás termék díjmentes kizárásával vagy kizárásával követheti, kivéve, ha a vásárlást igény teljesítése lehetetlen, vagy ha az a jótállási kötelezettségnek a másik igény teljesítésével összehasonlítva aránytalan többletköltséget eredményezne, (ii) ha

sem kijavítható, sem kicserélhető, illetve kizárva, ha a kötelezett a javítás, illetve kicserélés megkezdését megelőző határidőn belül a fogyasztóknak okozott jelenléti kényelmetlenség nélkül nem tud eljenni a javításra - vásárlás óta szerzett - megfelelő árértékesítést igényelhet vagy elállhat a szerződéstől. Jelenléteken hiba miatt ellátásnak nincs helye.

A 151/2003. (IX.22.) Kormányrendeletben meghatározott tartós fogyasztási cikk meghibásodása miatt a fogyasztó (izembe helyezettől) számított három munkanapon belül érvényesíthet csereigényét esetén a forgalmazó nem havonta aránytalan többletköltségre, hanem a forgalmazó kérésére a tartós fogyasztási cikket kicserélheti, feltéve, hogy a meghibásodás a rendeltetésszerű használatot akadályozza. Kijavítás esetén a fogyasztási cikket csak új alkatrészek beépítésére. A jótállásra kötelezett teretközre a javító, ha a javítás vagy kicserélés 15 napon belül megtörténjen. A rögzített bekötés, illetve a 10kg-nál súlyosabb, vagy tömegközvetlen eszközök kézi csomagjelenet nem szállítható fogyasztási cikket az izemeltetés helyen kell megjavítani. Ha a javítás az izem-

telés helyén nem végezhető el, a le- és felszerelésről, valamint az el- és visszazárástól a jótállási kötelezettség gondoskodik. Nem számít bele a jótállás időbe a kijavítás időnek az a rész, amely alatt a fogyasztó a terméket nem tudja a rendeltetésszerűen használni. A jótállási idő a termék vagy jelteltesítés részének kicserélésére (kijavítás) esetén a kicserélés (kijavítás) időre (termékre) szól, valamint a kicserélés költségekérményeként jelteltesítés hiba kijavítását is magában foglalja.

**Nem érvényesíthető a jótállási igény, ha** jótállásra kötelezett bizonyítja, hogy a hiba oka a termék fogyasztó részére való átadását követően keletkezett, így például ha a hibát ■ nem rendeltetésszerűen használat, használati útmutatót figyelmen kívül hagyása, használati utasítás vagy tárolás, lejtés, rongálás, elemi kár, készenléten kiválasztás (pl. halozási feszültség megengedetnél nagyobb ingadozások) ■ illetéktelen átadás, beavatkozás, nem a hivatalos szerviz által végzett javítás vagy fogyasztó feladati képtelenség karbantartási munkák elmulasztása okozta. A jótállás a fogyasztó törvényből eredő jogait nem érinti.

## Garantijos taisyklės

Šiam gaminiui suteikiama 24 mėnesių nuo įsigijimo datos garantija. Garantija apsiriboja žemiau pateiktomis sąlygomis. Garantija skirta tik gaminiams, skirtiems buitiniam naudojimui. Jei garantinio remonto priekšas gali kreiptis į pardavėju arduotuve, kurioje gamini pirko, arba į nurodytą įgaliotą techninės priežiūros centrą. Galutinis naudojotas įsipareigojote pateikti pretenziją nedelsiant po defekto atsiradimo, tačiau tik iki garantijos galiojimo periodo pabaigos. Galutinis naudojotas įsipareigojote bendradarbiauti patvirtintą gamintojo defektus, dėl kurių pateikia pretenziją. Priimtas bus tik pilnai sukomplektuotas ir švarus (pagal higienos standartus) gaminis. Jei pretenzija dėl garantinio remonto bus pagrįsta, gaminio garantijos galiojimo periodas bus prailginamas atitinkamiu periodu nuo pretenzijos pateikimo datos iki galutinio naudojotos pasims sutarimą turėti pasiūlytą gamini. Noredaditas gauti garantinio remonto paslaugas, galutinis naudojotas turi patvirtinti pretenziją pilnai užpildytai skelbiamai dokumentai: perkimo kvitą, garantinio taloną, instaliavimo sertifikatus...

**Garantija netaikoma:** ■ Nukainotoms (brokuotoms) prekėms. ■ Įprastiniams sudėvičioms gaminio

dalims ■ Gedimams, atsiradusiems neprofesionaliai ar neteisingai gaminį instaliavus, nesilaikant gaminio naudojimo instrukcijų, naudojant gaminį ne pagal įstatymų numatytus standartus ar įprastiniu tokio tipo gaminių naudojimo procese, naudojant gaminį kitaip paskirčiai nei numatyta. ■ Gedimams, atsiradusiems dėl netinkamos ar nepakankamos gaminio priežiūros. ■ Gedimams, atsiradusiems dėl purvo, nurogalmis jėgos aplinkybių (stichinių nelaimių, gaisro, potvynių...). ■ Gedimams, atsiradusiems dėl prastos kokybės signalo, elektromagnetinio lauko trikdžių ir kt. ■ Radus mechaninių pažeidimų (pvz. sulaužyti mygtukai, kritimo požymiai...). ■ Gedimams, atsiradusiems naudojant gaminį su netinkamomis laikmenomis, jungiant prie netinkamų naujimo sąlygų (pvz. aukštos temperatūros, didelės drėgmės, žemės drejimų...). ■ Nustatžius, kad gaminiui taisyta, modifikuotas ar ardytas neigalioju tal daryti asmeny. ■ Jei galutinis naudojotas neturi visų reikalingų dokumentų, įrodančių jo teisę garantinio remonto (pvz. dokumento, kur būtų nurodytas gaminio įsigijimo laikas ir vieta). ■ Jei data pateiktose dokumentuose skiriasi nuo datos ant gaminio.

## Warunki gwarancji

Produkt objety jest 24 - miesięczną gwarancją, coznaczony od daty zakupu przez klienta. Gwarancja jest ograniczona tylko do przedstawianych dól warunków. Gwarancja obejmuje tylko produkty zakupione w Polsce i jest ważna tylko na terytorium Rzeczypospolitej Polskiej. Gwarancja obejmuje tylko produkty funkcjonujące w warunkach gospodarstwa domowego (nie dotyczy produktów oznaczonych jako „Professional”). Zgłoszenie gwarancyjne można dokonać w autoryzowanej sieci serwisowej lub w sklepie, gdzie produkt został nabyty. Użytkownik jest zobowiązany zgłosić usterkę niezwłocznie po jej wykryciu, a najpóźniej w ostatnim dniu obowiązywania okresu gwarancyjnego. Użytkownik jest zobowiązany do przedstawienia i udokumentowania usterki. Tylko kompletne i czyste produkty zgadnie ze standardami higienicznymi będą przyjmowane do naprawy. Usterki będą uszczelnione przez autoryzowany punkt serwisowy w możliwie krótkim terminie, nieoprekrzaczącym 14 dni roboczych. Okres gwarancji przedłuża się o czas pobytu sprzętu w serwisie. Klient może ubiegać się o wymianę sprzętu na nowy, wad, jeżeli punkt serwisowy stwierdzi na podstawie, że usunięcie wady jest niemożliwe. Aby produkt mógł być przyjęty przez serwis, użytkownik jest zobowiązany dostarczyć oryginalny dowód zakupu (paragon lub faktura), podbitę i wypełnioną kartę gwarancyjną, certyfikat instalacji (niektóre produkty).

### Gwarancja zostaje unieważniona, jeśli:

- usterka była widoczna w chwili zakupu, ■ usterka wynika ze zwykłego użytkowania i zużycia, ■ produkt został uszkodzony z powodu złej instalacji, niezastosowania się do instrukcji obsługi lub użytkownika niezgodnego z przeznaczeniem, ■ produkt został uszkodzony z powodu złej konserwacji lub jej braku, ■ produkt został uszkodzony z powodu zanieczyszczenia, wypadku lub okoliczności o charakterze siły wyższej (powódź, pożar, wojna, zamieszki itp.) ■ produkt wykazuje złe działanie z powodu słabego sygnału, zakłóceń elektromagnetycznych itp., ■ produkt został uszkodzony mechanicznie (np. wylamany przycisk, upadek, itp.), ■ produkt został uszkodzony z powodu użycia niewłaściwych materiałów eksploatacyjnych, nośników, akcesoriów, baterii, akumulatorów itp. lub z powodu użytkowania w złych warunkach (temperatura, wilgotność, wstrząsy itp.), ■ produkt był naprawiany lub modyfikowany przez nieautoryzowany personel, ■ użytkownik nie jest w stanie udowodnić zakupu (nieczytelny paragon lub faktura), ■ dane na przedstawianych dokumentach są inne niż na urządzeniu, ■ produkt nie może być zidentyfikowany ze względu na uszkodzenie numeru seryjnego lub plombę gwarancyjną.

Vom Verkäufer auszufüllen. | Para ser llenado el vendedor. | À remplir par le vendeur.  
 | Popuni prodavatelj. | Da compilare dal venditore. | Door de verkoper in te vullen.

Name: | Denominación: | Dénomination: | Naziv: | Nome: | Naam:

Typ: | Modelo: | Type: | Tip: | Tipo:

Produktionsnummer: | No. de serie: | Numéro de référence: | Numer serjiny: | Numero di  
 fabbricazione broj szám: | Serienummer:

Im Falle einer Reparatur vom Service auszufüllen. | Para ser llenado por el servicio, en caso de  
 reparación. | À remplir par le service de réparation en cas de réparation. | U slučaju popravke  
 popuni servis. | Nel caso di un riparo va compilato dal Centro di Assistenza. | Door servicecentrum  
 in te vullen bij reparatie.

Datum der Bekanntmachung des Anspruchs auf Garantie: | Fecha de notificación de derecho  
 a garantía: | Date de notification de l'application de la garantie: | Datum obavijesti jamstvenog  
 zahtjeva: | Data della notifica del diritto alla garanzia: | Datum waarop beroep op garantie is  
 gedaan:

Tag: | Día: | Jour: | Monat: | Mes: | Mois: | Jahr: | Año | Année: | 20  
 Dan: | Giorno: | Dag: | Mjesec: | Mese: | Maand: | Godina: | Anno: | Jaar:

Datum der Übernahme zur Reparatur: | Fecha de aceptación para reparación: | Date de la  
 remise au service de réparation: | Datum prijema za popravak: | Data della presa in carico  
 per riparazione: | Datum waarop reparatie is aangenomen:

Tag: | Día: | Jour: | Monat: | Mes: | Mois: | Jahr: | Año | Année: | 20  
 Dan: | Giorno: | Dag: | Mjesec: | Mese: | Maand: | Godina: | Anno: | Jaar:

Grund der Störung: | Motivo de la avería: | Cause du défaut: | Przyczyna awarii: | Motivo del  
 gusto: | Reden van defect

A termék azonosításra alkalmas részeinek meghatározása [amennyiben alkalmazható]:

Numero des Verkaufsbeleges: | No. de documento de venta: | Numéro de document de vente:  
 | Broj kupoprodajnog dokumenta: | N. documento di vendita: | Nummer van aankoopbewijs:

Datum des Einkaufs [Inbetriebnahme]: | Fecha de compra [puesta en servicio]: | Date d'achat  
 [Mise en service]: | Datum kupnje [puštanja u pogon]: | Data di acquisto [messa in funzione]: |  
 Aankoopdatum [ingebruikname]:

Tag: | Día: | Jour: | Monat: | Mes: | Mois: | Jahr: | Año | Année: | 20  
 Dan: | Giorno: | Dag: | Mjesec: | Mese: | Maand: | Godina: | Anno: | Jaar:

Stempel des Verkäufers: | Sello del vendedor: | Tampon du vendeur: | Pečat prodavatelja: |  
 Timbro del venditore: | Stempel van verkoper:

Art der Reparatur: | Forma de reparación: | Type de réparation: | Način popravke: | Tipologia  
 di riparazione: | Wijze van repareren:

Datum der Rückgabe des Produktes dem Kunden: | Fecha de devolución del producto al  
 cliente: | Date de la remise du produit au client: | Datum povratka proizvoda natrag kupcu:  
 | Data del ritiro del prodotto da parte del cliente: | Datum waarop klant product weer in  
 ontvangst heeft genomen:

Tag: | Día: | Jour: | Monat: | Mes: | Mois: | Jahr: | Año | Année: | 20  
 Dan: | Giorno: | Dag: | Mjesec: | Mese: | Maand: | Godina: | Anno: | Jaar:

Neue Garantiefrist - verlängert um die Dauer der Reparatur: | Nuevo plazo de garantía -  
 prorrogado por el tiempo de reparación: | Nouveau délai de garantie - prolongé de la durée  
 de la réparation: | Novi jamstveni rok - produžen o trajanje popravke: | Nuovo termine di  
 garanzia, rinnovato a seguito di riparazione: | Dieuwe garantietermijn - verlenging met de  
 duur van reparatie

Tag: | Día: | Jour: | Monat: | Mes: | Mois: | Jahr: | Año | Année: | 20  
 Dan: | Giorno: | Dag: | Mjesec: | Mese: | Maand: | Godina: | Anno: | Jaar:

Stempel der Servicestelle: | Sello del servicio | Tampon du service de réparation: | Pečat  
 servisa: | Timbro del Centro di Assistenza Tecnica: | Stempel van servicecentrum:

### Autorisierte Servicestellen | Centros de servicio autorizados | Centres autorisés de réparation

#### FAST ČR, a. s.

Černokostelecká 1621  
 CZ 251 01 Říčany  
 Česká republika  
 Tel.: +420/ 323 204 120  
 Fax: +420/ 323 204 121  
 servis.praha@fastcr.cz  
 www.fastcr.cz

#### FAST ČR, a. s.

Cejl 31  
 CZ 602 00 Brno  
 Česká republika  
 Tel.: +420/ 531 010 295  
 Fax: +420/ 531 010 296  
 servis.brno@fastcr.cz  
 www.fastcr.cz

#### Fast Plus, spol. s r. o.

Na Pántoch 18  
 SK 831 06 Bratislava  
 Slovenská republika  
 Tel.: +421/2/49 105 854  
 Fax: +421/2/49 105 859  
 servis@fastplus.sk  
 www.fastplus.sk

### Autorizirana servisna centra | Centri di Assistenza autorizzati | Geautoriseerde servicecentra

#### Fast Hungary Kft.

Dulácska u. 1/a.  
 H-2045 Törökbálint  
 Magyarországi  
 Tel.: + 36/ 23 330 905  
 Fax: + 36/ 23 330 827  
 info@fasthungary.hu  
 www.fasthungary.hu

#### Arconet sp. z o.o.

W celu znalezienia  
 najbliższego serwisu  
 prosimy zadzwonić:  
 0801 44 33 22  
 Lub odwiedzić stronę  
 internetową:  
 www.arconet.pl

#### Uab „Senuku Prekybos

Centras” Garantinis Servisas  
 Jonavos G. 62, Lt-44192,  
 Kaunas, Lithuania  
 Tel.: +370 37 212 146  
 Tex.: +370 37 212 165  
 garrem@senukai.lt  
 www.senukai.lt

## I Garantieberingungen

Der Verkäufer gewährt dem Kunden eine Garantie auf das Produkt in der Länge von 24 Monaten nach der Übernahme des Produktes durch den Käufer. Die Garantie wird zu den unten genannten Bedingungen gewährt. Die Garantie bezieht sich nur auf die Artikel, die dem Verbraucher zur in der entsprechenden Betriebsanleitung genannten Nutzung verkauft worden sind. Die Rechte aus der Mängelhaftung (Be standung) kann der Käufer direkt beim Verkäufer geltend machen, bei dem das Produkt gekauft wurde, oder in der unten genannten autorisierten Servicestelle. Der Käufer ist verpflichtet, die Be standung ohne unnötigen Verzug geltend zu machen, so dass sich der Mangel nicht verschlechtert, spätestens bis Ende der Garantiefrist. Der Käufer ist verpflichtet, bei der Be standung Hilfe beim Prüfen des Bestehens des be standungs Mangels zu leisten. Zur Be standung können nur komplette und aus hygienischen Gründen auch saubere Produkte angenommen werden. Wenn die Be standung gerechtfertigt ist, verlängert sich die Garantiezeit um die Zeit von der Geltendmachung der Be standung bis zum Moment der Übernahme des reparierten Produktes durch den Käufer oder bis zum Moment, wenn der Käufer nach Be endigung der Reparatur verpflichtet ist, das Produkt zu übernehmen. Der Käufer ist verpflichtet, sein Recht auf Be standung nachzuweisen (Kaufbeleg, Garantieschein, Beweis über die Inbetriebnahme des Produktes, ...).

**Die Garantie bezieht sich vor allem nicht auf:**  
■ Mängel, auf die Rabatt gewährt worden ist ■ Verschleiß und Beschädigung durch die übliche Benutzung des

Produktes ■ Beschädigung des Produktes infolge unsachgemäßer oder falscher Installation, Benutzung des Produktes im Widerspruch zur Betriebsanleitung, zu den gültigen Rechtsschriften und den allgemein bekannten und üblichen Nutzungsmethoden, infolge der Nutzung des Produktes zu einem anderen Zweck, als für welchen das Produkt bestimmt ist ■ Beschädigung des Produktes infolge vernachlässigter oder falscher Wartung ■ Beschädigung des Produktes durch Verschmutzung, Unfall oder durch höhere Gewalt (Naturkatastrophe, Brand, Eindringen von Wasser, ...) ■ Funktionsfehler des Produktes durch ungeeignete Qualität des Signals, ein störendes elektromagnetisches Feld usw. ■ mechanische Beschädigung des Produktes (z. B. Bruch des Knopfes, Sturz, ...) ■ Beschädigung durch ungeeignete Medien, Flüssigkeiten, Verbrauchsmaterialien (Batterie) oder ungeeignete Betriebsbedingungen (z. B. hohe Umgebungstemperatur, hohe Feuchtigkeit des Umfelds, Erschütterungen, ...). ■ Beschädigung, Anpassung oder einen anderen Eingriff in das Produkt durch eine nicht berechnete oder nicht autorisierte Person (Service) ■ Fälle, wenn der Käufer bei der Be standung die Berechnung seiner Rechte nicht nachweist (Wann und wo das be standete Produkt gekauft wurde) (Fälle, wenn sich die Angaben in den vorgelegten Belegen von den am Produkt angeführten Angaben unterscheiden in Fällen, wenn das be standete Produkt mit dem in den Belegen, mit denen der Käufer sein Recht auf Be standung nachweist, angeführten Produkt nicht identifiziert werden kann (z. B. Beschädigung der Produktionsnummer oder Garantieplombe des Gerätes, überschüssige Angaben in den Belegen, ...)

## Condiciones de garantía

El vendedor proporcionará una garantía de 24 meses al comprador a partir de la recepción del producto por parte de éste. La garantía se otorga bajo las siguientes condiciones. La garantía se aplica solamente a los productos nuevos que se venden a los consumidores para el uso indicado en las instrucciones de manejo correspondientes. Los derechos de responsabilidad de defectos (reclamación) del comprador los puede aplicar, ya sea en el vendedor donde compró el producto o en el centro de servicio autorizado abajo indicado. El comprador está obligado a hacer una reclamación sin demora injustificada para evitar el deterioro del defecto, pero a más tardar a finales del periodo de garantía. El comprador está obligado a establecer las sinergias necesarias ante una reclamación para verificar la existencia del defecto reclamado. En el procedimiento de reclamación sólo se acepta el producto intacto y limpio por razones de cumplimiento de normas de higiene. En caso de reclamaciones justificadas, el periodo de garantía se extiende por el periodo comprendido entre el momento de hecha la reclamación y el momento en que el comprador recibe el producto reparado, o a partir del momento en que el comprador está obligado a recoger el producto después de reparado. El comprador está obligado a probar su derecho a reclamar (comprobante de compra, hoja de garantía, documento de puesta en servicio del producto, ...).

**La garantía no se aplica a:**  
■ defectos que fueron objeto de rebaja ■ desgaste y daños causados por el uso normal del producto ■ daños en el producto debido a una instalación inadecuada o incorrecta,

el uso del producto en contradicción con las instrucciones de manejo, las normas jurídicas vigentes y los patrones de uso conocidos y convencionales. Dado en el producto, debido a un uso diferente de aquel para el que fue concebido. ■ daños en el producto por negligencia o mantenimiento inadecuado ■ daños en el producto causados por su contaminación, accidente y por fuerza mayor (desastres naturales, incendios, penetración de agua, ...) ■ defectos en el funcionamiento del producto causados por mala calidad de la señal, interferencia del campo electromagnético, etc. ■ datos mecánicos ■ datos de funcionamiento (Baterías) ■ condiciones de trabajo inadecuadas (tales como temperaturas ambiente elevadas, alta humedad, estrechamientos, ...) ■ daños, modificación o cualquier otra intervención en el producto por personas no cualificadas o no autorizadas (por el centro de servicios) ■ los casos en que el comprador no prueba la legitimidad de sus derechos a reclamar (fecha y lugar donde la reclamación y el momento en que el comprador recibe el producto reparado) ■ los casos en que los datos en los documentos difieren de la información contenida en el producto ■ los casos en que el producto reclamado no puede ser identificado con el producto mencionado en los documentos, con lo que el comprador prueba su derecho a reclamar (p.e., datos en el número de serie o el sello de garantía del dispositivo, datos transcritos en los documentos, ...)

## Conditions de garantie

Le vendeur accorde à l'acheteur une garantie de produit s'étendant sur 24 mois à partir de la réception du produit par l'acheteur. La garantie s'applique selon les conditions suivantes. La garantie concerne uniquement la nouvelle marchandise vendue au consommateur pour une utilisation conforme au mode d'emploi livré. L'acheteur peut faire valoir ses droits à la garantie des défauts (la réclamation) auprès du vendeur qui lui a vendu le produit ou auprès d'un des services autorisés indiqués ci-dessous. La réclamation doit être faite par l'acheteur sans tarder afin d'éviter la détérioration du défaut, avant la fin de la période de garantie au plus tard. Lors de la réclamation, la coopération de l'acheteur est nécessaire pour vérifier l'existence du défaut réclamé. Seulement un produit complet et, pour des raisons d'hygiène, propre est accepté pour la procédure de réclamation. En cas de réclamation justifiée, la période de garantie est prolongée jusqu'à la reprise du produit réparé par l'acheteur ou jusqu'au moment où l'acheteur doit reprendre le produit après la réalisation de sa réparation. L'acheteur doit présenter ses droits à la réclamation (la preuve du justificatif d'achat, de la fiche de garantie, du certificat de la mise en service du produit, ...).

**La garantie ne s'applique pas notamment :**  
■ aux défauts donnant lieu à une promotion ■ à l'usage et l'endommagement provoqués par l'utilisation courante du produit ■ à l'endommagement du produit provoqué par une installation défectueuse ou incorrecte, à l'utilisation du produit non conforme au mode d'emploi, aux prescriptions juridiques en vigueur, et aux utilisations généralement connues et ha-

bituales, à l'endommagement du produit provoqué par l'usage impropre auquel celui-ci n'est pas destiné. ■ à l'usage anormal du produit provoqué par la négligence de l'utilisateur ou l'entretien incorrect. ■ à l'endommagement du produit provoqué par l'encreissement, l'accident ou la force majeure (les séismes, l'incendie, l'infiltration d'eau, ...) ■ aux vices de fabrication (les pannes) liés à la mauvaise qualité de signal, les champs magnétiques interférentiels, etc. ■ à l'endommagement mécanique du produit qui lui a été fait au moment de la réclamation, à moins que les données figurant dans les documents présents diffèrent de celles du produit. ■ aux cas où il n'est pas possible d'identifier le produit faisant l'objet de la réclamation au produit figurant dans les documents présentés par l'acheteur afin de faire valoir ses droits à la réclamation (p.e., les numéros de référence ou le plomb de garantie de l'appareil endommagé, les informations figurant dans les documents reçus, ...)

## Jamstveni

Prodavatelj daje kupcu jamstvo na proizvod u trajanju od 24 mjeseca od dana primika proizvoda kupcem. Jamstvo se daje pod sljedećim uvjetima. Jamstvo se odnosi samo na novu robu koja je prodana potrošaču u svrhu korištenja koje je navedeno u odgovarajućoj uputi za upotrebu. Prava koja proizlaze iz odgovornosti za nedostatke (reklamacija) može kupac primijeniti kod prodavatelja kod kojeg je kupio proizvod ili u dole navedeno autorizirano servisno. Kupac je obavezan reklamaciju primijeniti bez suvišnog odlaganja, kako bi se izbjeglo pogoršanje nedostatka, ali najkasnije na kraju jamstvenog roka. Kupac je dužan pružiti potrebnu suradnju kod reklamacije koja je neophodna za provjeru postojanja reklamiranog nedostatka. U reklamacijama postupak prima se samo kompletni i u skladu održavanja higijenski pristis citi proizvodi. U slučaju opravdane reklamacije se jamstveni rok proizvoda u razdoblje od trenutka primjene reklamacije do trenutka primika popravjenog proizvoda kupcem ili trenutka, kada je kupac nakon okončanja popravke obavezan proizvod preuzeti. Kupac je dužan dokazati svoja prava za reklamaciju (kupovnjakovo ime i kupnju proizvoda, jamstveni list, dokument o postavljanju proizvoda u pogon, ...).

**Jamstvo se ne odnosi naime na:**  
■ nedostatke na koje je bio pružen popust ■ habanje ili oštećenje koje je nastalo normalnim korištenjem proizvoda ■ oštećenja proizvoda koje je uzrokom nestručnih ili neispravnih instalacija,

korištenja proizvoda u suprotnosti sa uputama za upotrebu, vazemim pravim propisima i opće poznatim i uobicajnim namom korištenja. Iz razloga korištenja proizvoda u druge svrhe nego kojima je namijenjen ■ oštećenje proizvoda iz razloga zanemarano ili neispravno održavanje ■ oštećenje proizvoda iz prozvozkovanog npravljanja, nategom, preteranim i utjecajev na visle (elementarna nepogoda, požar, prodir vode, ...) ■ nedostatke u funkcionalnosti proizvoda koja su prozvozkovane nepovoljnim kvalitetom signala, smetnjem elektromagnetnih polja i sl. ■ mehaniko oštećenje proizvoda (npr. smoljenje jerna mada, pad, ...) ■ oštećenje prozvozkovano korištenjem neispravnih medija, punjenja, potrosackog materijala (baterije) ili nepogodnim radnim uvjetima (npr. visoke temperature u okolišu, visoka vlažnost okoliša, potresi, ...) ■ oštećenja, prilagodbu ili drugu intervenciju izvšenu na proizvodu neovlaštenom ili neautorizirano osobom (servisom) ■ slućajevne kada kupac priklom reklamacije neke devizacije opravdanost njegovih prava (kada je kupio reklamirani proizvod) ■ slućajevne kada su podaci u predednim ispravcima razliĉite od podataka navedenih na proizvodu ■ slućajevne kada proizvod nije moguce identificirati sa proizvodom koji je naveden u dokumentima, kojima kupac dokazuje svoja prava za reklamaciju (npr. oštećenje proizvodnog broja ili jamstvena plomba uređaja, prepisivani podaci u dokumentima, ...)

## Condizioni di garanzia

Il Venditore garantisce il prodotto per il periodo di 24 mesi dalla presa in consegna del prodotto da parte dell'Acquirente. La garanzia è concessa alle condizioni citate in seguito. La garanzia si riferisce solo alla merce nuova, venduta all'utente ai fini di utilizzo indicati nel relativo manuale d'uso. L'Acquirente può far valere i diritti per la responsabilità per difetti (il reclamo) o presso il Venditore, presso il quale il prodotto è stato comprato, o in un Centro di Assistenza autorizzato indicato sotto. L'Acquirente è tenuto a far valere il reclamo senza indugio, affinché non si avveri un peggioramento del difetto, e comunque entro e non oltre la scadenza del termine di garanzia. Presentando il reclamo, l'Acquirente è tenuto a collaborare in modo necessario ai fini della verifica dell'esistenza del difetto reclamato. Nella procedura del reclamo viene ammesso solo un prodotto completo e pulito a garanzia delle norme sull'igiene. Nel caso di un reclamo giustificato, il termine di garanzia viene prolungato del periodo che è trascorso dal momento della presentazione del reclamo al momento della presa in consegna, da parte dell'Acquirente, del prodotto riparato o al momento in cui l'Acquirente è tenuto a ritirare il prodotto alla fine della riparazione. L'Acquirente è tenuto a dimostrare il proprio diritto a presentare il reclamo (il documento di acquisto del prodotto, il certificato di garanzia, un documento attestante la messa del prodotto in funzione, ...).

**Non sono coperti dalla garanzia soprattutto:**  
■ difetti per i quali è già stato concesso uno sconto ■ il logoramingo e il danneggiamento del prodotto, provocati dal suo uso abituale ■ il danneggiamento del prodotto

in seguito ad un'installazione scorretta o non professionale, all'uso del prodotto contrario al manuale d'uso, alle norme giuridiche valide e generalmente conosciute e ai modi abituali d'uso, in seguito all'utilizzo del prodotto per fini diversi da quelli previsti ■ il danneggiamento del prodotto in seguito a una manutenzione trascurata o scorretta ■ il danneggiamento del prodotto provocato dal suo imbrattamento, da un incidente, o dovuto a forza maggiore (una calamità naturale, un incendio, un'infiltrazione d'acqua, ...) ■ difetti alla funzionalità del prodotto, provocati dalla qualità inadatta del segnale, da un campo elettromagnetico di disturbo, ecc. ■ il danneggiamento meccanico del prodotto (p.e. lo scaricamento di un pulsante, la caduta del prodotto a terra, ...) ■ il danneggiamento provocato dall'utilizzo di supporti, refill e materiale di consumo (batterie) inadatti, oppure dalle condizioni di esercizio inadatte (p.e. un'elevata temperatura circostante, un'elevata umidità dell'ambiente, eventuali urti, ...) ■ il danneggiamento, la modifica o un altro intervento effettuato da una persona (centro assistenza) non autorizzata o non abilitata ■ i casi in cui l'Acquirente, presentando il reclamo, non dimostra la fondatezza dei propri diritti (quando è dove egli ha acquistato il prodotto reclamato) ■ i casi in cui i dati nei documenti esibiti differiscono da quelli indicati sul prodotto ■ i casi in cui il prodotto reclamato non può essere identificato con il prodotto indicato nei documenti con i quali l'Acquirente dimostra il suo diritto al reclamo (p.e. il danneggiamento del numero di fabbricazione oppure del sigillo di garanzia dell'apparecchio, dati trascritti nei documenti, ...)

## Garantievoorwaarden

De verkoper geeft de eindgebruiker een garantie van 24 maanden op het product vanaf de dag van de aankoop. Deze garantie is geldig onder de volgende voorwaarden. Deze garantie is alleen van toepassing op nieuwe goederen die aan de consument zijn verkocht met als doel deze te gebruiken in overeenstemming met de gebruiksaanwijzing en het doel waarvoor ze gemaakt zijn. De eindgebruiker kan een beroep doen op de garantie bij de verkoper waar hij het product heeft gekocht of bij een hieronder vermeld, geautoriseerd servicecentrum. De eindgebruiker is verplicht om het product zo snel mogelijk, maximaal voor het einde van de garantieperiode, terug te sturen om te voorkomen dat het defect verder verslechtert. De eindgebruiker moet ingeval van reparatie binnen de garantieperiode meewerken aan het documenteren van het geconstateerde defect. Alleen complete artikelen die volgens de hygiënische voorschriften zijn gereinigd, kunnen ter reparatie worden aangeleverd. Indien het product voor reparatie in aanmerking komt, wordt de garantieperiode verlengd met de periode vanaf het moment dat de reparatie is aangevaard tot het moment dat de eindgebruiker het gerepareerde product weer in ontvangst neemt of wanneer de eindgebruiker het na afronding van de reparatie verplicht in ontvangst dient te nemen. De eindgebruiker is verplicht om zijn recht op reparatie te bewijzen (aankoopbon, garantiebewijs, bewijs van ingebruikname van product, ...).

**De garantie vervalt indien er sprake is van:**  
■ defecte producten waarvan korting is gegeven ■ slijtage of defecten als gevolg van normaal gebruik ■ defecten als gevolg van oneigenlijk of verkeerd gebruik, van gebruik

dat niet in overeenstemming met de gebruiksaanwijzing, geldende wettelijke voorschriften en algemeen bekende en normale manieren van gebruik is of van gebruik voor andere dan de doeleinden dan voor het product zijn voorgeschreven ■ schade aan het product als gevolg van vernieuwings of onjuist onderhoud ■ schade aan het product als gevolg van het gebruik van het gebrek aan reinigen, ongevallen en externe oorzaken (rampen, brand, overstroming, ...) ■ defecten in de functie van het product als gevolg van onjuiste net-aansluiting, storing van een elektromagnetisch veld, etc. ■ mechanische defecten aan het product (bijv. afbreken van de knoppen, val, ...) ■ schade als gevolg van het gebruik van ongeschikte media, vullingen, vuttend (batterijen) of ongeschikte operationele omstandigheden (bijv. hoge omgevingsstemperaturen, zeer vochtige omgeving, aardbevingen, ...) ■ schade of reparatie of andere ingrepen die door niet-bevoegd of niet-geautoriseerd personeel (of serviceorganisaties) aan het product zijn gedaan ■ gevallen waarin de eindgebruiker bij een verzoek tot reparatie binnen de garantieperiode niet bewijst dat hij daar recht op heeft (wanneer en waar hij het teruggestuurde product gekocht heeft) ■ gevallen waarin de gegevens op de overlegde documenten verschillen van de gegevens die op het product vermeld worden ■ gevallen waarin het teruggestuurde product niet geïdentificeerd kan worden aan de hand van het product dat vermeld wordt in de documenten waarmee de eindgebruiker zijn recht op reparatie binnen de garantieperiode uitoefent (bijv. beschadigde serie nummers of garantiezegel, veranderde gegevens in de documenten, ...)

Заполняется продавцом.

Название:

---

Тип:

---

Серийный номер изделия

В случае ремонта заполняется сервисной организацией.

Дата обращения в сервисный центр:

Число: ..... Месяц: ..... Год: 20 .....

Дата принятия в ремонт:

Число: ..... Месяц: ..... Год: 20 .....

Причина неисправности:

A termék azonosításra alkalmas részeinek meghatározása (amennyiben alkalmazható):

---

Номер документа, подтверждающего продажу:

---

Дата покупки (ввода в эксплуатацию):

Число: ..... Месяц: ..... Год: 20 .....

Печать продавца:

Способ ремонта:

---

Дата возврата изделия обратно заказчику:

Число: ..... Месяц: ..... Год: 20 .....

Новый гарантийный срок – продлен на срок проведения ремонта:

Число: ..... Месяц: ..... Год: 20 .....

Печать сервисной организации:

#### Авторизованные сервисные центры

##### AO «FAST ČR»

Чернокостелецка 1621  
251 01 Ржичаны  
Чешская Республика  
Тел.: +420/323 204 120  
Факс: +420/323 204 121  
servis.praha@fastcr.cz  
www.fastcr.cz

##### AO «FAST ČR»

Цейл 31  
602 00 Брно  
Чешская Республика  
Тел.: +420/531 010 295  
Факс: +420/531 010 296  
servis.brno@fastcr.cz  
www.fastcr.cz

##### 000 «FAST Plus»

На Пантох 18  
831 06 Братислава  
Словацкая Республика  
Тел.: +421/2/49 105 854  
Факс: +421/2/49 105 859  
servis@fastplus.sk  
www.fastplus.sk

#### Авторизованные сервисные центры

##### Fast Hungary Kft.

Dulácska u. 1/a.  
H-2045 Törökbálint  
Magyarország  
Тел.: + 36/ 23 330 905  
Факс: + 36/ 23 330 827  
info@fasthungary.hu  
www.fasthungary.hu

##### Arconet sp. z o.o.

W celu znalezienia  
najbliższego serwisu  
prosimy zadzwonić:  
0801 44 33 22  
Lub odwiedzić stronę  
internetową:  
www.arconet.pl

##### Uab „Senuku Prekybos Centras” Garantinis Servisas

Jonavos G. 62, Lt-44192,  
Kaunas, Lithuania  
Тел.: +370 37 212 146  
Текс.: +370 37 212 165  
garrem@senukai.lt  
www.senukai.lt

## Условия гарантии

Продавец предоставляет покупателю гарантию на товар в течение 24 месяцев с момента получения товара покупателем. Гарантия предоставляется при соблюдении следующих условий. Гарантия распространяется только на новый товар, проданный потребителю для целей использования, указанных в соответствующей инструкции по эксплуатации. Покупатель имеет право обратиться с претензией, связанной с ответственностью за некачественный товар (рекламацией), непосредственно к продавцу, у которого был приобретен товар, либо в авторизованный сервисный центр, указанный ниже. Покупатель обязан предъявить рекламацию без необоснованной задержки, чтобы избежать ухудшения исправности, но не позднее, чем до конца истечения гарантийного срока. Покупатель обязан при решении рекламации оказывать содействие, необходимое для проверки наличия заявленного дефекта. В рамках процедуры рассмотрения жалоб принимается только комплектный и, в целях соблюдения гигиенических правил, чистый товар. В случае если претензия является обоснованной, гарантийный срок продлевается на период с момента принятия товара для проведения гарантийного ремонта изделия по момент получения отремонтированного товара покупателем, либо по момент, когда покупатель обязан получить товар после проведения гарантийного ремонта. Покупатель обязан предъявить документы, подтверждающие его право на проведение гарантийного ремонта (документ, подтверждающий покупку, гарантийный талон, документ о вводе в эксплуатацию ...).

### Гарантийные обязательства на товар, главным образом, не распространяются на:

■ недостатки, на которые была предоставлена скидка ■ износ и повреждения, вызванные обычным использованием изделия ■ повреждение изделия в результате неспециализированной или неправильной установки и монтажа, использования изделия в противоречии с Инструкцией по эксплуатации, действующим законодательством и общеизвестными и обычными способами использования, в связи с использованием товара для других целей, чем те, для которых он предназначен ■ повреждения изделия, вызванные с пренебрежением или неправильным техническим обслуживанием ■ повреждения изделия, вызванные его загрязнением, аварией и форс-мажорными обстоятельствами (стихийными бедствиями, пожаром, попаданием воды ...) ■ неисправности изделия, вызванные неадекватным качеством сигнала, помехами электромагнитного поля и т.д. ■ механические повреждения изделия (например, отломанная кнопка, падение ...) ■ повреждения, вызванные использованием неподходящих носителей, расходных материалов (батарей) или в результате ненадлежащих условий эксплуатации (напр., высокой температуры окружающей среды, высокой влажности, ударов ...) ■ повреждения, изменения или другое вмешательство в результате самостоятельного ремонта изделия или ремонта, проведенного неуполномоченным или неавторизованным лицом (сервисным центром) ■ случаи, когда покупатель не подтвердит правомерность своих прав на гарантийный ремонт (когда и где был приобретен товар, на который распространяется гарантия) ■ случаи, когда данные в предоставленных документах отличаются от информации, содержащейся на изделии ■ случаи, когда изделие, на которое заявлена рекламация, не является тождественным с изделием, указанным в документах, которыми покупатель подтверждает свое право на проведение гарантийного ремонта (напр., повреждение серийного номера или гарантийной пломбы устройства, исправление данных в документах ...)





 **FIELDMANN**<sup>®</sup>  
Home & Garden Performance