

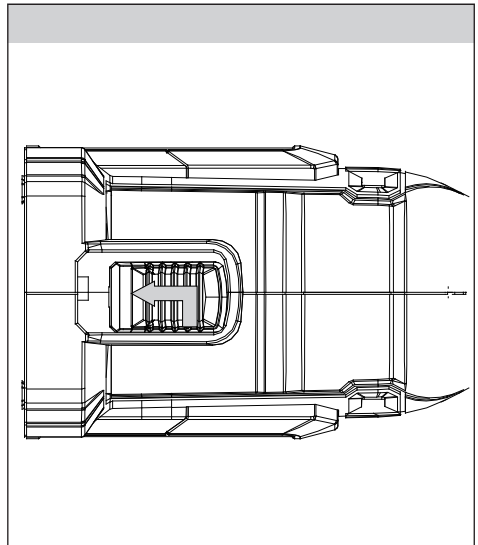
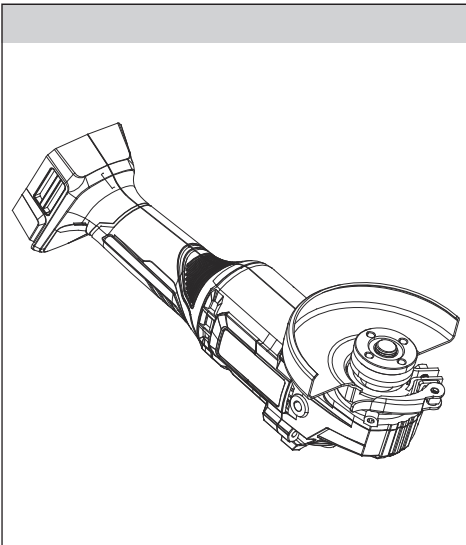
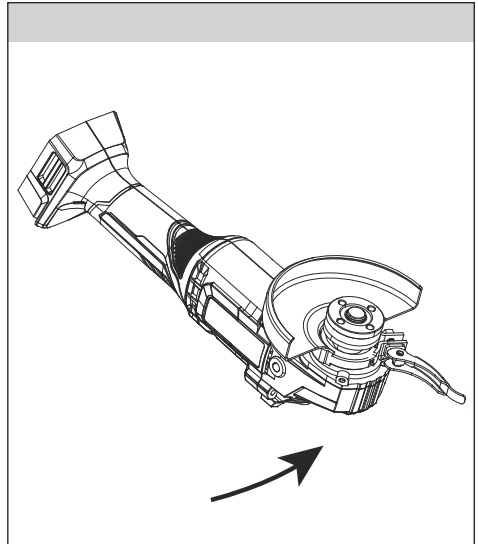
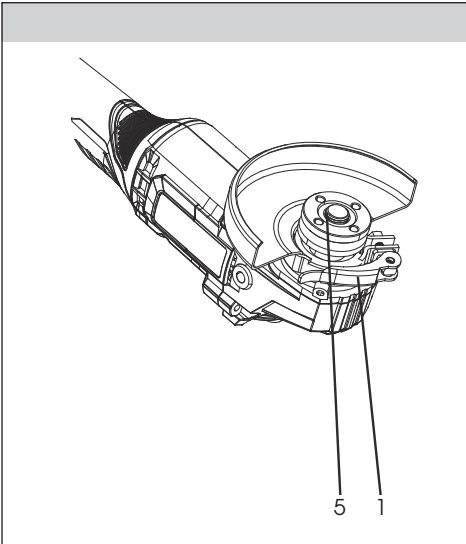


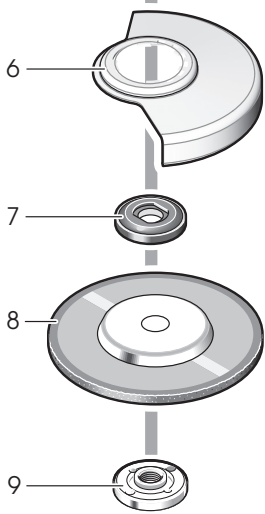
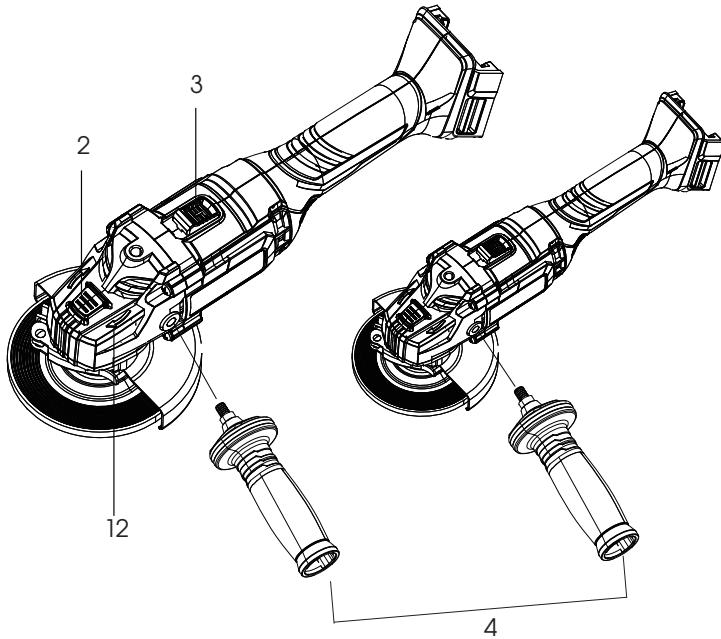
20V Li-Ion
FASTPOWER



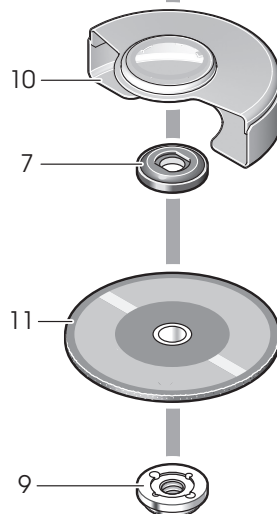
FDUB 70605-0

English	5-18
Čeština.....	19-32
Slovenčina	33-46
Magyarul	47-60
Polski	61-74





Grinding function
(included)



Cutting function
(item 10+11 must
be purchased
separately)

Angle grinder **20V** FASTPOWER

USER'S MANUAL

Thank you for purchasing cordless Angle grinder FIELDMANN. Before you start using it, please carefully read this user's manual and save it for possible future use.

TABLE OF CONTENTS




1. GENERAL SAFETY INSTRUCTIONS	6
2. SPECIFIC SAFETY INSTRUCTIONS.....	6
3. WORKING WITH ANGLE GRINDER.....	12
4. SYMBOLS.....	12
5. PRODUCT DESCRIPTION AND SPECIFICATIONS.....	13
6. TECHNICAL DATA	14
7. MAINTENANCE AND SERVICE.....	15
8. DISPOSAL.....	17
9. DECLARATION OF CONFORMITY.....	18

1. GENERAL SAFETY INSTRUCTIONS

WARNING!

Carefully read the instruction manual before use.

Important safety warnings


-  Unpack the product carefully and be sure not to throw away any part of the package before having found all components of the product.
-  Keep the product in a dry place out of reach of children.
-  Read all cautions and instructions. The failure to adhere to warning cautions and instructions may result in an accident, fire and/or a serious injury.

Packaging

The product is placed in a package preventing damage during transport. This package is a raw material therefore it can be handed-over for recycling.

Instructions for use


Before beginning to work with the machine, read the following safety rules and instructions for use. Familiarize with operating elements and the proper use of the device. Keep the manual in a safe place for future reference. We recommend keeping the original package including the inner packaging materials, cash voucher and guarantee card for a period of warranty at minimum. For a case of transportation, pack the machine into the original box from the manufacturer, thus ensuring a maximum protection of the product during a possible transport (e.g. moving or sending into a service station).

 **Note:** If you hand the machine over to next persons, hand it over together with the manual. Adherence to the attached instructions for use is a precondition for the proper use of the machine. The operation manual includes also instructions for operation, maintenance and repairs.


The manufacturer does not take any responsibility for accidents or damages resulting from the failure to adhere to this manual.

2. SPECIFIC SAFETY INSTRUCTIONS

Please read these safety instructions carefully, remember them and keep them in a safe place

 **WARNING!** When using electric machinery and power tools, it is important to abide by and adhere to the following safety instructions for reasons of protection against injury caused by electric current, injury of persons and risk of starting fires. The term "power tools" used in the instructions below refers to power tools that are plugged into a power supply (by a power cord) as well as tools running on a battery pack (cordless). Keep all warnings and instructions for further use.

Work environment

-  Keep the work area clean and well lit. Untidiness and dark places on the job site are usually causes of accidents. Store tools that are not used.

- ✿ Do not use power tools in an environment where there is risk of starting a fire or explosion; this refers to places where there are flammable liquids, gases or dust. Sparks form on the power tool's commutator, which can cause dust or fume ignition.
- ✿ When using power tools, unauthorized persons, especially children, should be denied entry to the job site! In case you are interrupted, you can lose control of the current activity. In any case, do not leave the power tool without supervision. Prevent animals from approaching the equipment.

Electrical safety

- ✿ The power tool's power plug must correspond to the power outlet. Never alter the plug in any way. If the tool's plug has a safety peg, never use an adapter of any kind. Undamaged plugs and corresponding outlets prevent the risk of injury by electric current. If the power cord is damaged, it must be replaced by a new power cord that can be obtained from an authorized service centre or the importer.
- ✿ Avoid bodily contact with grounded items, e.g. piping, radiators, kitchen ranges and refrigerators. The risk of injury by electric current is greater if your body is connected to the ground.
- ✿ Do not expose power tools to rain, moisture or dampness. Never touch power tools with wet hands. Never wash power tools with running water and never submerge them into water.
- ✿ Do not use the power cord for any other purpose than originally intended. Never carry or pull the power tools by the power cord. Do not pull the plug out of the outlet by pulling on the cord. Avoid mechanical damage to the power cord by sharp or hot objects.
- ✿ Power tools were manufactured exclusively for the AC power supply. Always check if the electrical voltage corresponds to the data printed on the tool's serial number label.
- ✿ Never work with a tool that has a damaged power cord or plug, or that has fallen on the ground and is damaged in any way.
- ✿ In the case of using an extension cord, always check that its technical parameters correspond to the data printed on the tool's serial number label.
- ✿ If the power tool is used outdoors, use an extension cord that is appropriate for exterior use. When using an extension cable drum, the cord must be unwound to prevent the cord from overheating. If the power tool is used in moist areas or outdoors, it is permitted to use it only if it is plugged into an electric circuit with a residual current device ≤ 30 mA. Using a circuit with an RCD lowers the risk of injury by electric current.
- ✿ Grasp hand power tools at the designated isolated grip areas because, during operation, one may come into contact with the cutting or drilling fittings with a hidden conductor or with the power cord.

Personal safety

- ✿ When using a power tool, be careful and alert, pay special attention to the activity you are doing. Concentrate on your work. Do not work with power tools if you are tired or if you are under the influence of drugs, alcohol or medication. When using power tools, even a momentary lapse in attentiveness can lead to severe personal injury. Do not eat, drink or smoke while working with power tools.
- ✿ Use protective gear. Always use eye protection. Use protective gear corresponding to the type of work you are doing. Protective gear such as respirators, safety shoes with antiskid treatment, head protection or ear protection, used in accordance with working conditions, lower the risk of personal injury.
- ✿ Avoid unintentional operation of tools. Do not carry tools that are plugged into the electric grid with your finger on the switch or release trigger.
- ✿ Before connecting the tool to a power supply, make sure that the switch or release trigger are in the "off" position. Carrying tools with your finger on the switch or plugging the tool into an outlet with the switch in the "on" position can cause serious injury. Before turning tools on, remove all adjustment wrenches and tools.

The adjustment wrench or tool that stays connected to the rotating part of the power tool can cause personal injury.

- ✿ Always stand firmly and keep your balance. Work only in places that you can reach safely. Never overestimate your own strength. Do not use power tools if you are tired.
- ✿ Dress appropriately. Use working clothes. Do not wear loose clothing or jewellery. Make sure that your hair, clothing, gloves or other body parts do not come overly close to rotating or heated parts of the power tool.
- ✿ Connect the equipment to the dust exhaust. If the tool offers the possibility to connect equipment for capturing dust or dust suction, make sure that it is properly connected and used. Using this equipment can reduce danger resulting from dust.
- ✿ Firmly fasten the workpiece. Use a carpenter's clamp or vice to secure the piece you will be cutting.
- ✿ Do not use power tools if you are under the influence of alcohol, drugs, medication or other narcotics or addictive substances.
- ✿ This equipment is not intended to be used by persons with limited physical, sensory or mental abilities (including children) or persons with insufficient experience and knowledge, unless they are supervised or received instructions to use the equipment from a person responsible for his/her safety. Children must be supervised in order to ensure that they are not playing with the equipment.

Using cordless tools

- ✿ Before inserting the battery, make sure that the switch is in the "O-off" position. Inserting the battery into a running tool can cause dangerous situations.
- ✿ To charge the battery, only use chargers that are specified by the manufacturer. Using a charger for a different kind of battery can cause damage to the battery and result in fire.
- ✿ Only use batteries that are designated for the given tool. Using other batteries can cause injury or result in fire.
- ✿ If the battery is not used, store it away from metal objects such as clamps, wrenches, screws and other small metal objects that could cause the connection of one battery contact with the other. Short-circuiting the battery can cause injury, burns or fire.
- ✿ Handle batteries with care. In the case of improper care, chemical substances can leak from the battery. Avoid coming into contact with this substance and if you do come into contact with it, rinse the affected area under running water. If the chemical substance comes into contact with the eye, immediately seek out medical attention. The chemical substance from the battery can cause serious injury.

Service

- ✿ Do not change parts of the tool, do not perform repairs on your own and do not interfere with the tool's construction in any way. Leave tool repairs to qualified persons.
- ✿ Each repair or product modification performed without our company's permission is inadmissible (it can cause injury or harm to the user).
- ✿ Always leave tools to be repaired in a certified service centre. Use only original or recommended spare parts. This will ensure your and your tool's safety.

Kickback and related warnings

- ✿ Kickback is a sudden reaction to a pinched or snagged rotating wheel, backing pad, brush or any other accessory. Pinching or snagging causes rapid stalling of the rotating accessory which in turn causes the uncontrolled power tool to be forced in the direction opposite of the accessory's rotation at the point of the binding.

For example, if an abrasive wheel is snagged or pinched by the workpiece, the edge of the wheel that is entering into the pinch point can dig into the surface of the material causing the wheel to climb out or kick out. The wheel may either jump toward or away from the operator, depending on direction of the wheel's movement at the point of pinching. Abrasive wheels may also break under these conditions.

Kickback is the result of power tool misuse and/or incorrect operating procedures or conditions and can be avoided by taking proper precautions as given below.

- ✿ Maintain a firm grip on the power tool and position your body and arm to allow you to resist kickback forces. Always use auxiliary handle, if provided, for maximum control over kickback or torque reaction during start-up. The operator can control torque reactions or kickback forces, if proper precautions are taken.
- ✿ Never place your hand near the rotating accessory. Accessory may kickback over your hand.
- ✿ Do not position your body in the area where power tool will move if kickback occurs. Kickback will propel the tool in direction opposite to the wheel's movement at the point of snagging.
- ✿ Use special care when working corners, sharp edges, etc. Avoid bouncing and snagging the accessory. Corners, sharp edges or bouncing have a tendency to snag the rotating accessory and cause loss of control or kickback.
- ✿ Do not attach a saw chain woodcarving blade or toothed saw blade. Such blades create frequent kickback and loss of control.

⚠ WARNING! Before use, please read these safety instructions and keep them in a safe place.

- ✿ Upon failure to follow the instructions specified in this manual, there is a risk of injury.
- ✿ Angle grinder conforms to applicable technical regulations and standards.
- ✿ Do not use other accessories except for grinding, cutting and diamond discs.
- ✿ Never use the tools without the safety screen.
- ✿ Always use eye protection (protective goggles or safety shield) and hearing protection.
- ✿ Do not use any cutting and grinding discs for side grinding.
- ✿ Make sure to keep the vents free of any obstacles during dusty work.
- ✿ During wall cutting check that there are no electric lines in the walls (using metal detector).
- ✿ Never water-cool grinding disc.
- ✿ Do not touch the edge after machining, it may be hot.
- ✿ Never attach the grinding machine to the work bench.
- ✿ Make sure that the rotational speed specified on the grinding disc is higher than or equals the rotational speed of the angle grinder specified in the type label.
- ✿ Do not cut any material that requires a cut with maximum depth exceeding the depth of the grinding disc.
- ✿ Do not cut and grind light metals with higher magnesium content than 80% as such metals are flammable.
- ✿ Make sure that the grinding disc has the right dimensions and is correctly mounted on the spindle.
- ✿ Handle the grinding discs very carefully and in accordance with instructions supplied with the grinding disc.
- ✿ Inspect the grinding disc before each use.
- ✿ Do not use grinding discs that are cracked or otherwise damaged.
- ✿ Make sure that the grinding disc is mounted according to instructions.
- ✿ After mounting the grinding disc, let the grinder run at idle speed in a safe place. If the grinder shows strong vibrations or if the grinding disc shows visible damage, immediately turn off the grinder and try to identify the cause.
- ✿ Do not use any reducers or other auxiliary ports for mounting grinding discs intended for different spindle diameter.
- ✿ Make sure that the material is adequately supported or fixed. Never use grinding disc to remove burrs.

- ✿ Make sure to prevent the sparks from hitting a person or igniting inflammable goods.
- ✿ Do not network with the grinder if someone is standing in the line of the grinding disc. Make sure to clean up the working area around you.
- ✿ Press the locking knob of the disc (3) only after the engine and spindle of the grinder have completely stopped!
- ✿ Remember that the grinding disc will continue to rotate for a while after switching off the grinder due to inertia.
- ✿ Always use the auxiliary handle supplied with the tool. Loss of control over the electric tools could cause injury.

⚠ WARNING! Use means of protection against noise, dust and vibrations !!!

⚠ WARNING! Keep these safety instructions !!!

Safety warnings specific for Grinding and Abrasive

Cutting-Off operations

- ✿ Use only wheel types that are recommended for your power tool and the specific guard designed for the selected wheel. Wheels for which the power tool was not designed cannot be adequately guarded and are unsafe.
- ✿ The grinding surface of the centre depressed wheels must be mounted below the plane of the guard lip. An improperly mounted wheel that projects through the plane of the guard lip cannot be adequately protected.
- ✿ The guard must be securely attached to the power tool and positioned for maximum safety, so the least amount of wheel is exposed towards the operator. The guard helps to protect operator from broken wheel fragments, accidental contact with wheel and sparks that could ignite clothing.
- ✿ Wheels must be used only for recommended applications. For example: do not grind with the side of the cut-off wheel. Abrasive cut-off wheels are intended for peripheral grinding; side forces applied to these wheels may cause them to shatter.
- ✿ Always use undamaged wheel flanges that are of correct size and shape for your selected wheel. Proper wheel flanges support the wheel thus reducing the possibility of wheel breakage. Flanges for cut-off wheels may be different from grinding wheel flanges.
- ✿ Do not use worn down reinforced wheels from larger power tools. Wheels intended for larger power tools are not suitable for the higher speed of a smaller tool and may burst. Additional safety warnings specific for abrasive cutting off operations.
- ✿ Do not "jam" the cut-off wheel or apply excessive pressure. Do not attempt to make an excessive depth of cut. Overstressing the wheel increases the loading and susceptibility to twisting or binding of the wheel in the cut possibility of kickback or wheel breakage.
- ✿ Do not position your body in line with and behind the rotating wheel. When the wheel, at the point of operation, is moving away from your body, the possible kickback may propel the spinning wheel and the power tool directly at you.
- ✿ When wheel is binding or when interrupting a cut for any reason, switch off the power tool and hold the power tool motionless until the wheel comes to a complete stop. Never attempt to remove the cut-off wheel from the cut while the wheel is in motion otherwise kickback may occur. Investigate and take corrective action to eliminate the cause of wheel binding.
- ✿ Do not restart the cutting operation in the workpiece. Let the wheel reach full speed and carefully re-enter the cut. The wheel may bind, walk up or kickback if the power tool is restarted in the workpiece.

- ✿ Support panels or any oversized workpiece to minimize the risk of wheel pinching and kickback. Large workpieces tend to sag under their own weight. Supports must be placed under the workpiece near the line of cut and near the edge of the workpiece on both sides of the wheel.
- ✿ Use extra caution when making a “pocket cut” into existing walls or other blind areas. The protruding wheel may cut gas or water pipes, electrical wiring or objects that can cause kickback.
Safety warnings specific for sanding operations
- ✿ Do not use excessively oversized sanding disc paper. Follow manufacturers recommendations, when selecting sanding paper. Larger sanding paper extending beyond the sanding pad presents a laceration hazard and may cause snagging, tearing of the disc, or kickback.
Safety warnings specific for wire brushing operations
- ✿ Be aware that wire bristles are thrown by the brush even during ordinary operation. Do not overstress the wires by applying excessive load to the brush. The wire bristles can easily penetrate light clothing and/or skin.
- ✿ If the use of a guard is recommended for wire brushing, do not allow any interference of the wire wheel or brush with the guard. Wire wheel or brush may expand in diameter due to work load and centrifugal forces.

3. WORKING WITH ANGLE GRINDER

- ✿ The optimum angle of disc to work piece is 150°.
- ✿ Maintain the largest possible distance between the disc and operator.
- ✿ Exert only slight pressure and no lateral load on the disc. Note the direction of rotation and watch out for flying sparks.
- ✿ Avoid knocking the work piece.
- ✿ If the disc diameter is less than 80 mm, change the disc.

4. SYMBOLS



The product complies with the applicable standards and regulations.



Read the Instruction Manual attentively prior to use.



Use eyes protective equipment



Use ears protective equipment



Spindle thread: M14

5. PRODUCT DESCRIPTION AND SPECIFICATIONS



Read all safety warnings and all instructions. Failure to follow the warnings and instructions may result in electric shock, fire and/or serious injury.

Intended Use

The machine is intended for cutting, roughing and brushing of metal and stone materials without the use of water. For cutting with bonded abrasives, a special cutting guard (accessory) must be used. When cutting in stone, provide for sufficient dust extraction. With approved sanding tools, the machine can be used for sanding with sanding discs.

Product Features

The numbering of the product features refers to the illustration of the machine on the graphics page.

1. Release lever for protection guard
2. Spindle lock button
3. On/Off switch
4. Auxiliary handle
5. Grinder spindle
6. Protection guard for grinding
7. Mounting flange
8. Grinding wheel (part of the package)
9. Clamping nut
10. Protection guard for cutting (not included in the package)
11. Cutting disc (not included in the package)
12. Direction-of-rotation arrow on housing

In addition to the safe use of tools, note should also be made:

1. Carefully check the grinding wheel piece before use. There should be no cracks or cracks.
2. Before using the angular grinder for operation, check that the rotation direction of the grinding wheel piece should be consistent with the arrow direction indicated on the protection cover of the head of the reduction gear box.
3. In the process of operation, do not force too hard, do not make the grinding wheel hit, lest the grinding wheel burst cause casualties. Do not swing the grinding wheel horizontally when using the grinding machine for cutting.
4. In the process of using the angular polishing machine, if any of the following situations occur, the power must be cut off immediately, to find out the cause, and can be used after normal maintenance.
 - ① The transmission parts are stuck, the speed of rapid decline or stop rotation.
 - ② Found there is abnormal push or sound, temperature rise too high or smell.
 - ③ The grinding wheel was found cracked.
 - ④ The commutator spark too large and ring fire phenomenon.

Correct operation and use of Angle grinder

1. During operation, the angular polishing machine should be started first, and then the workpiece should be contacted; Finish the work to leave the workpiece, after cutting off the power supply, the operation should be evenly applied pressure, not too much force.

2. In order to achieve good machining results, the grinding wheel plane and the working grinding surface should be at an Angle of 15°~30° as far as possible. If it is used for cutting, electric Angle should be used to push the grinder along the plane of the cutting grinding wheel, do not move left and right, so as not to cause damage to the grinding wheel.
3. When grinding workpieces of different materials, grinding wheels of different accuracy and hardness should be selected to improve grinding efficiency. Generally, it is selected as follows:
 - (1) coarse grinding casting selection 12#~16# grinding wheel;
 - (2) clean ingot, cast iron choose 16#~24# grinding wheel;
 - (3) polished weld, grinding surface choose 36#~46# grinding wheel.
4. Wear protective glasses during operation.

6. TECHNICAL DATA

Model	FDUB 70605-0
Rated voltage	20 V
Unloaded Speed	7500RPM±10%
Maximum wheel diameter	115mm
Spindle thread	M14
Grinding wheel diameter	22.2mm

Accessories

Item number	Accessory
FDUZ 79020	Battery pack 2 Ah
FDUZ 79040	Battery pack 4 Ah
FDUZ 79100	Fast charger
FDUZ 79110	Fast dual charger

7. MAINTENANCE AND SERVICE

Maintenance of Angle grinder

1. Keep the air duct clear and regularly eliminate oil and dirt in the machine.
2. Carry out a comprehensive inspection at least once a quarter and add grease. Should also be other measuring insulation resistance value shall not be less than 7 m Ω , if less than 7 m Ω , must make dry processing.

The common faults and maintenance methods of Angle grinder are listed in the following table for readers' reference during maintenance.

Fault phenomenon	Reasons causing	Maintenance and repair methods
The motor doesn't work after the connection	<ol style="list-style-type: none"> 1. The power is off 2. Poor contact or no action of switch 3. The brush is not in contact with the surface of the commutator 4. Armature or stator coil burns out 	<ol style="list-style-type: none"> 1. Repair the power supply 2. Repair or replace the switch 3. Adjust the pressure and position of the positive disc spring to make it in good contact 4. If it is broken at the outlet, it can be used after rewelding; otherwise, it needs to be rewound or replaced
The electrical connection makes an abnormal sound and does not rotate or rotate very slowly	<ol style="list-style-type: none"> 1. Switch contact burns out 2. The mechanical part is stuck 3. The axial pressure exceeds the load of the ambassado 4. Motor damage 5. The power voltage is too low 6. Spiral bevel gear is broken 	<ol style="list-style-type: none"> 1. Replace the switch 2. Check the mechanical part 3. Reduce axial pressure 4. Replace motor 5. Adjust the power voltage 6. Change gears
Excessive heating of gearbox housing	<ol style="list-style-type: none"> 1. Lack of grease in gear box or grease gets dirty 2. Gear meshing is too tight or debris falls into the interior 	<ol style="list-style-type: none"> 1. Add or replace grease 2. Adjust or replace gears to remove debris

Protection Guard for Cutting

- ☛ For cutting with bonded abrasives, always use the protection guard for cutting 10.
- ☛ Provide for sufficient dust extraction when cutting stone.

The protection guard for cutting 10 is mounted in the same manner as the protection guard for grinding. 6 Cutting Guide with Dust Extraction Protection Guard The cutting guide with dust extraction protection guard is mounted in the same manner as the protection guard for grinding 6.

Auxiliary Handle

- ☛ Operate your machine only with the auxiliary handle 4.
- Screw the auxiliary handle 4 on the right or left of the machine head depending on the working method.

Hand Guard

- ✿ For operations with the rubber sanding plate 13 or with the cup brush/wheel brush/flap disc, always mount the hand guard 12.

The hand guard 12 is fastened with the auxiliary handle 4.

Mounting the Grinding Tools

- ✿ Before any work on the machine itself, pull the mains plug.
- ✿ Do not touch grinding and cutting discs before they have cooled down. The discs can become very hot while working.

Clean the grinder spindle 5 and all parts to be mounted.

For clamping and loosening the grinding tools, lock the grinder spindle with the spindle lock button 2.

- ✿ Actuate the spindle lock button only when the grinder spindle is at a standstill. Otherwise, the machine may become damaged.

Grinding/Cutting Disc

Pay attention to the dimensions of the grinding tools. The mounting hole diameter must fit the mounting flange without play. Do not use reducers or adapters.

When using diamond cutting discs, pay attention that the direction-of-rotation arrow on the diamond cutting disc and the direction of rotation of the machine (see direction-of-rotation arrow on the machine head) agree.

See graphics page for the mounting sequence.

To fasten the grinding/cutting disc, screw on the clamping nut 9 and tighten with the two-hole spanner.

- ✿ After mounting the grinding tool and before switching on, check that the grinding tool is correctly mounted and that it can turn freely. Make sure that the grinding tool does not graze against er parts.

Approved Grinding Tools

All grinding tools mentioned in these operating instructions can be used.

The permissible speed (min) or the circumferential speed (m/s) of the grinding tools used must at least match the values given in the table.

Therefore, observe the permissible rotational/circumferential speed on the label of the grinding tool.

8. DISPOSAL



The machine, rechargeable batteries, accessories and packaging should be sorted for environmental friendly recycling.

Do not dispose of power tools and batteries/rechargeable batteries into household waste!

Only for EC countries:



According to the European Guideline 2012/19/EU, power tools that are no longer usable, and according to the European Guideline 2006/66/EC, defective or used battery packs/batteries, must be collected separately and disposed of in an environmentally correct manner.

INSTRUCTIONS AND INFORMATION ON DISPOSING OF USED PACKAGING MATERIALS

Put any used package material to the place determined by the municipality for waste disposal.

DISPOSAL OF USED ELECTRIC AND ELECTRONIC EQUIPMENT



This symbol on products or accompanying documents means that used electric or electronic products must not be put to ordinary municipal waste. Hand over such products to determined collection points for proper disposal, restoration and recycling. Alternatively, in some countries of the European Union or other European countries you can return your products to your local dealer when you buy an equivalent new product. By dutiful disposal of this product you can preserve precious natural resources and you help prevent any potential adverse effects on the environment and human health which could be the results of wrong waste disposal. Ask your local authority or the nearest collection point for additional details. In case of improper disposal of this waste kind penalties can be imposed in accordance with national regulations.

For companies in the European Union countries

Should you want to dispose of electric and electronic devices, ask your dealer or vendor for necessary information. Disposal in other countries outside the European Union. Should you want to dispose of this product, ask your local authorities or your dealer for necessary information about disposal method.



This product fulfils all basic requirements of the EU directives that apply to it.

Text, design and technical specifications can change without prior notice and we reserve the right for their change.

User manual in the original language.

9. DECLARATION OF CONFORMITY

FAST[®]

FAST ČR, a.s.
Černokostecká 1621, 251 01 Říčany, Czech Republic
tel.: +420 323 204 111, Fax: +420 323 204 110

EU DECLARATION OF CONFORMITY

Product / brand: Cordless Angle Grinder / **FIELDMANN**

Type / model: **FDUB 70605-0** as factory model SOM-WYT01-18Li-115
DC 20V (battery powered), speed 7500/m¹, diameter 115mm,
Class III, IPX0
L_{PA} = 81,7dB(A), L_{WA} = 92,7dB(A)

Manufacturer: FAST ČR, a.s.
Černokostecká 2111, 100 00 Praha 10, Czech Republic
VAT no: CZ26726548

The product is inline with directives and regulations listed below:

Directive MD 2006/42/EC
Directive EMC 2014/30/EU
Directive NEOF 2000/14/EC
Directive RoHS 2011/65/EU

and norms:

EN 60745-1:2009+A11
EN 60745-2-3:2011+A2+A11+A12+A13
EN 55014-1:2017
EN 55014-2:2015



Place of issuance: Prague

Name: Ing. Zdeněk Pech
Chairman of the Board

Date of issuance: 22. 7. 2020

Signature:

FAST[®] FAST ČR, a.s. 
Černokostecká 1621, 251 01 Říčany
IČO: 26726548 tel.: +420/ 323 204 111
DIČ: CZ26726548 fax: +420/ 323 204 110

IČO: 26 72 65 48, DIČ: CZ-26 72 65 48

Bankovní spojení: Komerční banka Praha 1, č.ú. 89309011/0100, Česká spořitelna Praha 4, č.ú. 2375682/0800,
CSOB Praha 1, č.ú. 8010-0116233383/0300