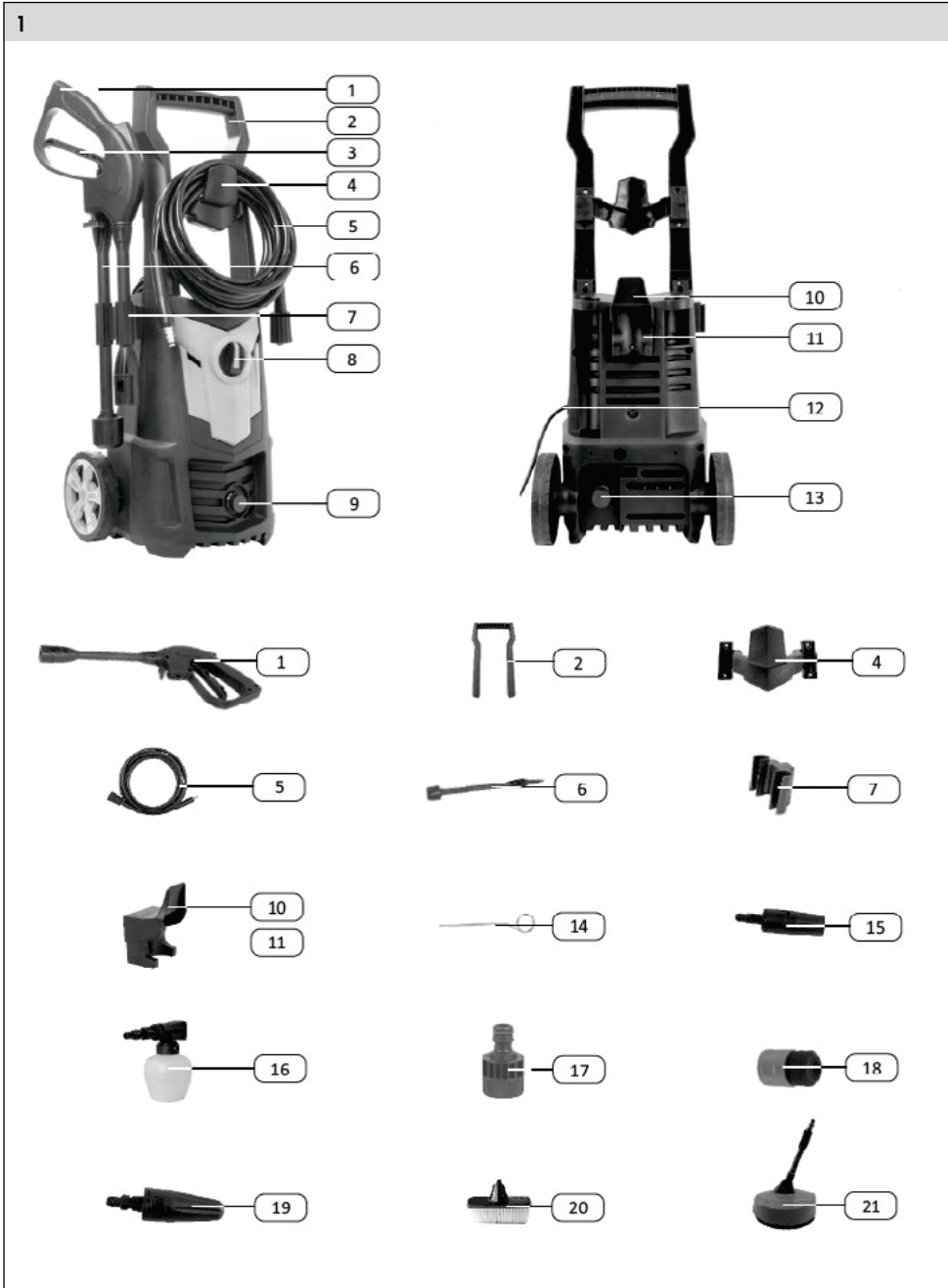




FDW 201650-E

English5-26
Čeština.....27-48
Slovenčina 49-70
Magyarul71-90
Polski91-110



High-pressure cleaner

USER'S MANUAL

Thank you for purchasing this high pressure cleaner. Before using the product please carefully read this user's guide and keep it for future use

TABLE OF CONTENTS

1. IMPORTANT SAFETY TIPS	6
2. IMPORTANT SAFETY PRECAUTIONS	6
3. GENERAL SAFETY PRECAUTIONS	7
4. SYMBOLS.....	8
5. SERVICING OF A DOUBLE-INSULATED APPLIANCE	10
6. USE OF EXTENSION CORDS	10
7. PROPER USE OF THE PRESSURE CLEANER.....	11
8. MACHINE DESCRIPTION.....	12
9. ASSEMBLY INSTRUCTIONS.....	13
9. OPERATING INSTRUCTIONS	19
10. CLEAN-UP AND STORAGE	21
11. MAINTENANCE	22
12. TECHNICAL SPECIFICATIONS.....	23
13. DISPOSAL.....	24

1. IMPORTANT SAFETY TIPS

- Never** point the high-pressure nozzle at people or animals.
- Never** drink alcohol or use drugs while operating the pressure cleaner.
- Never** operate the pressure cleaner while standing in water.
- Never** touch the electrical plug with wet hands.
- Never** let electrical connections rest in water.
- Never** operate pressure cleaner without the water turned on.
- Never** use hot water with this pressure cleaner.

2. IMPORTANT SAFETY PRECAUTIONS

⚠ WARNING! When using this product, basic precautions should always be followed, including the following:

1. Read all instructions before using the product. Save all safety instructions.
2. Do not operate the pressure cleaner when fatigued or under the influence of alcohol or drugs.
3. Risk of injection or injury – do not direct the high pressure water stream at any people or animals.
4. Do not allow children to operate the pressure cleaner at any time.
5. To reduce the risk of injury, close supervision is necessary when the pressure cleaner is used near children.
6. Know how to stop the unit and reduce pressure immediately. Be completely familiar with the controls.
7. Stay alert – always be aware of where you are directing the high pressure spray
8. Keep cleaning area clear of all people.
9. Keep good footing and balance at all times – do not overreach or stand on an unstable support.
10. The work area should have adequate drainage to reduce the possibility of a fall due to slippery surfaces.
11. Follow the maintenance instructions specified in the manual.
12. To reduce the risk of electrocution, keep all connections dry and off the ground. Do not touch plug with wet hands.

3. GENERAL SAFETY PRECAUTIONS

1. Intended for outdoor household use only.
2. High-pressure hose can develop leaks from wear, abuse, kinking etc. Do not use a damaged hose.
3. Do not use the pressure cleaner in areas near combustible materials, combustible fumes, or dust.
4. Some chemicals or detergents may be harmful if inhaled or ingested causing severe injury. Use a respirator or mask whenever there is a chance that vapors may be inhaled. Read all instructions included with the mask so you are certain the mask will provide the necessary protection against inhaling harmful vapors.
5. Before starting the pressure cleaner in cold weather, check all of the parts of the equipment and be sure that ice has not formed. Do not store the unit anywhere that the temperature will fall below 0 °C (32 °F).
6. **DO NOT MAKE ANY MODIFICATIONS TO ANY OF THE COMPONENTS!** Units with broken or missing parts, or without the protective housing or covers should **NEVER** be operated
7. Keep the high-pressure hose connected to the pressure cleaner and the spray gun while the system is pressurized. Disconnecting the hose while the unit is pressurized is dangerous, and may cause injury.
8. Do not leave the pressure cleaner unattended while the power switch is ON.
9. Keep water spray away from electrical wiring or fatal electric shock may result.

4. SYMBOLS

Labels on your tools and in the manual may display symbols. They provide important information about the product or instructions for its use.



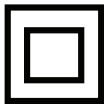
Warning! Never point the gun at people, animals, body parts, power sources or any electrical appliances.



The appliance is not intended for connection to a drinking water supply.



Please read the instructions



Protection Class II.



This product has been designed in compliance with approved standards.



Electrical appliances are not to be thrown in the household waste.





Please use ear protection.




Always wear safety glasses with side shields and, if necessary, a full face shield when using this product.



Acoustic power level.

5. SERVICING OF A DOUBLE-INSULATED APPLIANCE

In a double-insulated product, two systems of insulation are provided instead of grounding. No means of grounding is provided on a double-insulated product, nor should a means for grounding be added to the product. Servicing a double-insulated product requires extreme care and knowledge of the system, and should be done only by qualified service personnel. Replacement parts for a double-insulated product must be identical to the parts they replace. A double-insulated product is marked with the words "DOUBLE INSULATION" or "DOUBLE INSULATED".

This symbol  may also be marked on the product.

6. USE OF EXTENSION CORDS

Use of an extension cord with this product is NOT RECOMMENDED. If you must use an extension cord, use only extension cords that are intended for outdoor use. These cords are identified by a marking "ACCEPTABLE FOR USE WITH OUTDOOR APPLIANCES, STORE INDOORS WHILE NOT IN USE." Use only extension cords having an electrical rating not less than the rating of the product. Examine extension cord before use. DO NOT USE DAMAGED EXTENSION CORDS! Do not pull on cord to disconnect from receptacle, always disconnect by pulling on plug. Keep cord away from heat and sharp edges. Always disconnect the extension cord from the receptacle before disconnecting the product from the extension cord.

⚠ WARNING! To reduce the risk of electrocution, keep all connections dry and off the ground. Do not touch the plug with wet hands.

- ✿ Do not use the appliance if a supply cord or important parts of the appliance are damaged, e.g. safety devices, high pressure hoses, trigger gun.
- ✿ If an extension cord is used, the plug and socket must be of watertight construction.

⚠ WARNING! Inadequate extension cords can be dangerous.

- ✿ Remove the plug from the socket-outlet during cleaning or maintenance and when replacing parts or converting the machine to another function.

7. PROPER USE OF THE PRESSURE CLEANER

**THIS UNIT IS INTENDED FOR USE WITH COLD WATER ONLY!
DO NOT USE HOT WATER IN THIS PRESSURE CLEANER.**

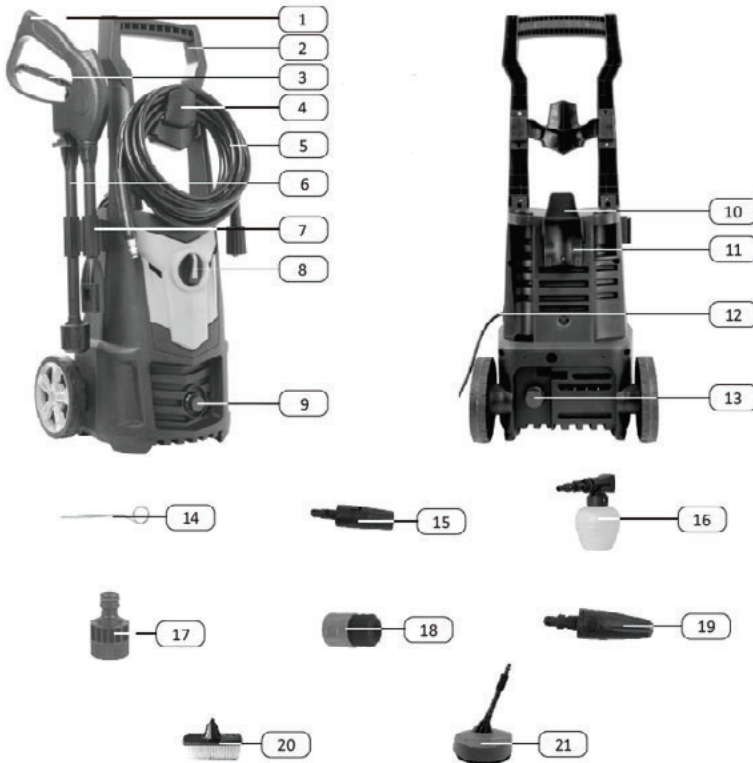
1. Operate the pressure cleaner at no more than the fluid pressure rated for the pressure cleaner. Never run the pressure cleaner without a water supply. Running the unit without a water supply will cause irreparable damage to the unit.
2. Make sure that the water supply you use for the pressure cleaner is not dirty, sandy, and does not hold any corrosive chemical products. Using a dirty water supply will compromise the long life of the pressure cleaner.
3. **⚠ CAUTION** - The pressure cleaner can be used for a variety of applications including washing cars, boats, patios, decks, garages etc. where high pressure is necessary to remove dirt and debris.
High-pressure water flow can damage the work surface if not used properly! See the section titled "Operating Instructions" for more details. Always test the spray in an open area first.
4. NEVER move the unit by pulling on the high pressure hose. Use the handle provided on the top of the unit.
5. Always hold the high pressure gun and wand with two hands. Keep one hand on the gun/trigger, while supporting the wand with the other hand (see diagram).
6. When dispensing detergent, the pressure cleaner applies detergent to the cleaning area at low pressure only. Once the detergent has been applied, spray the detergent off of the work area by using the adjustable nozzle.

8. MACHINE DESCRIPTION

Unpacking the box

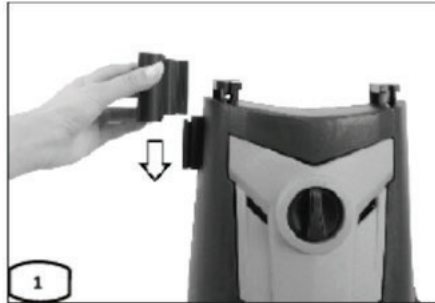
After opening the box, please remove all parts and check them against the following list of supplied components:

- | | |
|------------------------------|---------------------------------|
| 1. Water gun | 12. Mains cord - 5m |
| 2. Handle | 13. Terminal input thread No.17 |
| 3. Gun trigger | 14. Cleaning needle |
| 4. Hose holder | 15. Variable jet |
| 5. High-pressure hose - 5m | 16. Shampoo container |
| 6. Jet extension | 17. Inlet filter terminal |
| 7. Water gun holder | 18. ½" hose quick coupling |
| 8. Power on/off switch | 19. Turbo jet |
| 9. Output thread | 20. Car brush |
| 11. Shampoo container holder | 21. Surface cleaner |



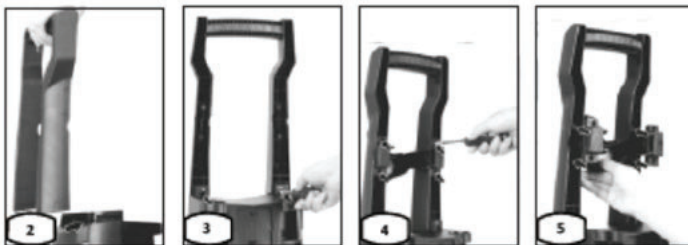
9. ASSEMBLY INSTRUCTIONS

1. Attaching the gun holder (No. 7) and accessories (fig. 1 below)



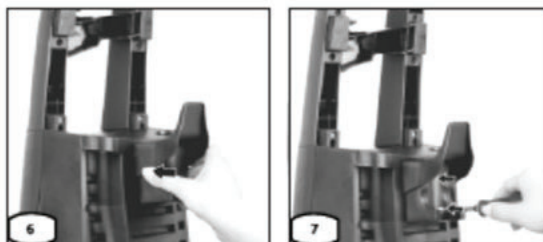
2. Attaching the handle and hook to the hose

1. Attach the handle onto the machine body (fig.2) and fasten it with 2 screws (fig.3).
2. Mount the hook on the hose and fasten it with screws (fig.4, 5).




3. Attaching the cable holder and shampoo container

1. Place the hook on the body while standing and fasten it with screws (fig.6, 7)



4. Installing the inlet filter terminal

1. First remove the protective cover from the inlet thread (fig.8).
2. Then screw the end with the filter onto the thread (fig.9, 10).

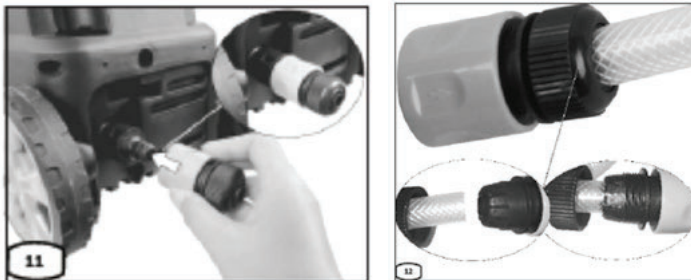
 **Note:** The inlet filter must always be installed in the water supply line to filter out sand, limestone and other contaminants as they would damage the pump valves.

 **ATTENTION!** Failure to install the filter voids the warranty.



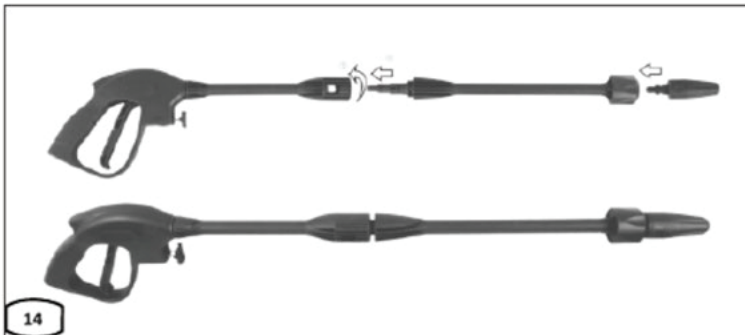
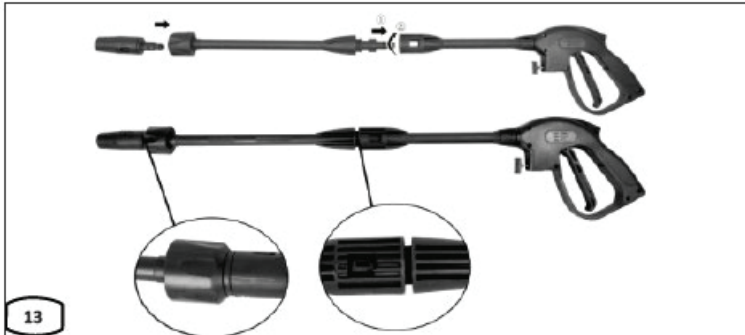
5. Connecting 1/2" diam. hose and quick coupling

1. Connect the 1/2" garden hose to the standard quick coupling as shown in fig.12 (quick coupling is included in package - No.18).
2. Then insert the quick coupling (No.18) onto the input terminal (No.17) until a click is heard, which means that the installation was successful. If not, water may leak at this point.



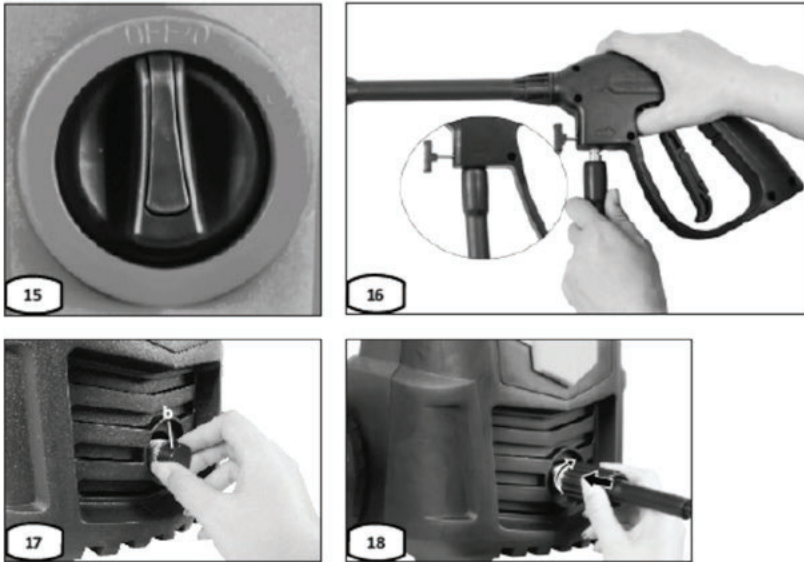
6. Water gun assembly

1. Insert the jet attachment (No.6) into the water gun (No.1).
2. After inserting, turn it by 90° until the locking end of the jet appears (fig.13, 14)
3. Then insert the required jet into the attachment (No.7). (fig.13, 14)



7. High-pressure hose assembly


1. Make sure the ON/OFF switch is in the OFF position (fig.15).
2. Attach the hose to the gun as shown in figure 16.
3. Remove the protective cover from the inlet thread (No.9), (fig.17).
4. Connect the high-pressure hose to the outlet thread as shown in figure 18




8. Connecting the shampoo container

1. Insert the shampoo container (No.16) into the jet attachment (No.6) as shown in fig.19.
2. After inserting, turn it by 90° until the locking end of the jet appears.




 **Note:** The detergent should be diluted with water to achieve the best possible effect.

 **WARNING!** NEVER USE PRODUCTS WITH BLEACHES, CHLORINE OR ANY OTHER CORROSIVE MATERIALS, INCLUDING SOLVENT-CONTAINING LIQUIDS (I.E. GASES, OILS, ETC.), PRODUCTS WITH SODIUM PHOSPHATE, AMMONIA OR ACID-BASED CLEANERS. THESE CHEMICALS WOULD DAMAGE THE APPLIANCE AND WILL ALSO CAUSE DAMAGE TO THE CLEANED SURFACE. ALWAYS READ THE LABEL INFORMATION.

9. Surface cleaner assembly (No.21)

1. Proceed according to the fig.20 below.
2. Insert the U-pin and fasten the extension.

 **Note:** Make sure that the bottom of the cleaner is properly attached to the extension with the U-pin.



10. Car brush attachment (No.20)

1. Insert the jet attachment (No.6) into the water gun (No.1).
2. After inserting, turn it by 90° until the locking end of the jet appears (fig.21)
3. Then insert the car brush (No.20) into the attachment (No.7). (fig.21)



9. OPERATING INSTRUCTIONS

**THIS APPLIANCE IS INTENDED FOR USE WITH COLD WATER ONLY!
DO NOT USE HOT WATER IN THIS HIGH-PRESSURE CLEANER!**

Starting

After connecting the high-pressure cleaner to the cold water supply, proceed as follows:

- ✿ Make sure the ON/OFF switch is in the OFF position.
- ✿ Assemble the machine according to steps 1 through 4 in Chapter 8, Assembly instructions
- ✿ Connect the hose to the inlet fitting according to assembly step No. 5.
- ✿ Assemble the gun according to step No.6 and insert the required jet (variable or turbo) or accessories from step No.8, 9, 10 into the gun.
- ✿ Connect the high-pressure hose according to assembly step No.7.
- ✿ Fully open the water inlet valve.
- ✿ Before turning on the instrument, press the trigger of the gun to remove any remaining air from the pump and hose.
- ✿ To start the high-pressure cleaner, set the ON/OFF switch to the ON position and press the trigger.
REMINDER: The engine does not run continuously unless the trigger is depressed.

⚠ WARNING!

RISK OF INJECTION! Unit will start spraying when trigger is squeezed. When turning the unit off after use, high pressure still exists inside the hose and unit. Point the gun in a safe direction and discharge the excess pressure. NEVER direct the high pressure water stream at people or animals.

Automatic On/Off

The pressure cleaner is equipped with an automatic on/off switch. The pressure cleaner will only run when the power switch is in the ON position and the trigger on the gun is squeezed. When you release the trigger to stop spraying water through the gun, the motor on the pressure cleaner will automatically shut off. Simply squeeze the trigger again to resume using the cleaner. To stop using the pressure cleaner, release the trigger and switch the unit to the OFF position. The unit should be turned completely OFF while not in use or while unattended.

Bleeding the Gun

It is very important to bleed the gun before using the pressure cleaner. Refer to the "Assembly Instructions" to assemble the pressure cleaner. To bleed the gun, simply connect the garden hose to the pressure cleaner and squeeze the trigger BEFORE turning the electrical supply on. This allows any air trapped inside the pressure cleaner and gun to be removed before using the unit. Continue holding trigger for approximately one minute to allow any excess air out of the unit. Water will flow through the gun at low pressure during this procedure. For more bleeding tips, see the section titled "Operating Instructions."

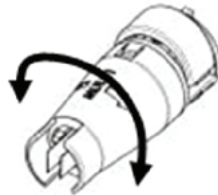
Gun Safety Lock

This pressure cleaner is equipped with a gun trigger safety lock. When not using the pressure cleaner, use the safety lock to keep from accidentally engaging the high pressure spray.



Adjustable Spray Nozzle

The adjustable nozzle will allow you to use any variety of spray patterns from a full fan spray to a direct stream spray. When using the pressure washer to clean wood decks, siding, vehicles etc., always start using the fan spray and begin spraying from a minimum 36" away to avoid damaging the surface of the material you are cleaning. Always begin by spraying in a testing area free and clear of people and objects.



⚠ Warning! Do not do this under operation to avoid that the hand hits the jet

⚠ Warning! High pressure jets can be dangerous if subject to misuse. The jet must not be directed at persons, live electrical equipment or the appliance itself.

✿ Do not direct the jet against yourself or others in order to clean clothes or foot-wear.

10. CLEAN-UP AND STORAGE

Shutting Down the Pressure Cleaner

**WHEN FINISHED USING THE PRESSURE CLEANER,
FOLLOW THESE STEPS TO SHUT DOWN THE UNIT:**

- ✿ Turn the pressure cleaner to the OFF position.
- ✿ Turn off the water supply.
- ✿ Before disconnecting high-pressure hose connection, point the gun in a safe direction and discharge the high-pressure water.
- ✿ Disconnect high-pressure hose from the pressure cleaner and gun.
- ✿ Disconnect garden hose from the pressure cleaner.
- ✿ Remove quick coupler fitting from garden hose and attach to the nipple portion of the fitting installed on the pressure cleaner for storage.
- ✿ Remove excess water from the pump by tipping the unit on both sides to drain any remaining water from inlet and outlet fittings.
- ✿ Remove Water Intake Filter and flush with water to remove dirt or debris. Return filter once cleaned.
- ✿ Drain detergent reservoir and flush with running water.
- ✿ Wipe away any remaining water on all parts and fittings.
- ✿ Engage the gun safety lock.
- ✿ Store the pressure cleaner, parts, and accessories in an area with a temperature above 0 °C (32 °F).

Winterizing and Long-Term Storage

**FOLLOW ALL OF THE ABOVE SHUT-DOWN PROCEDURES,
ADDING THE FOLLOWING STEPS....**

- ✿ After disconnecting the water supply, and before disconnecting the high-pressure hose, turn the pressure cleaner on for **2-3 seconds**, until any remaining water in the pump exits.

**TURN UNIT OFF IMMEDIATELY.
CONTINUED USE OF THE PRESSURE CLEANER WITHOUT WATER SUPPLY ATTACHED WILL
CAUSE SEVERE DAMAGE TO THE UNIT!**

- ✿ Always store the pressure cleaner, parts, and accessories in an area with a temperature above 0 °C (32 °F).

⚠ WARNING!

FAILURE TO COMPLY WITH THESE STORAGE INSTRUCTIONS WILL RESULT IN DAMAGE TO THE PUMP ASSEMBLY.

11. MAINTENANCE

- ✿ This pressure cleaner is supplied with a closed lubrication system, so no addition of oil is needed.
- ✿ Check all hoses and accessories for damage prior to use.
- ✿ Check the inlet filter periodically for deposits. Clean this filter regularly for maximum performance.


CLEANING TIPS

WARNING!

ALWAYS TEST THE SPRAY IN AN AREA FREE AND CLEAR OF PEOPLE AND OBJECTS BEFORE YOU SPRAY AT THE INTENDED CLEANING SURFACE.

Wood and Vinyl Decks

Rinse deck and surrounding area with fresh water. If using detergent, fill the detergent reservoir and apply to the area being cleaned at low pressure. For optimal results, reduce your work area to smaller sections and clean each section one at a time. Allow the detergent to rest on the surface for a few minutes and then rinse at high pressure. **DO NOT LET THE CLEANSER DRY.** Always clean from left to right and top to bottom for best results. Rinse at high pressure **using the fan spray** keeping the tip of the spray nozzle at least 6-9 inches from the cleaning surface. Maintain a further distance from the cleaning area when using a direct spray.

 **CAUTION!** For softer woods, increase the distance from the cleaning area.

Cement Patios, Stone, and Brick

Rinse cleaning and surrounding area with fresh water. If using detergent, fill the detergent reservoir and apply to the area being cleaned at low pressure. Rinse at high pressure **using the fan spray** in a sweeping motion keeping the tip of the spray nozzle at least 3-6 inches from the cleaning surface. Maintain a further distance from the cleaning area when using a direct spray.

Cars, Boats, and Motorcycles

Rinse cleaning and surrounding area with fresh water. If using detergent, fill the detergent reservoir and apply to the area being cleaned at low pressure. To achieve the best results, clean one side at a time. Allow the detergent to rest on the surface for a few minutes, but do not let the detergent dry. Rinse at high pressure **using the fan spray** in a sweeping motion keeping the tip of the spray nozzle at least 8 inches from the cleaning surface. Maintain a further distance from the cleaning area when using a direct spray. Wipe surface dry for a polished finish.

Barbecue Grills, Power Equipment, and Garden Tools

Rinse cleaning and surrounding area with fresh water. If using detergent, fill the detergent reservoir and apply to the area being cleaned at low pressure. Allow the detergent to rest on the surface for a few minutes, but do not let the detergent dry. Rinse at high pressure **using the fan spray** keeping the tip of the spray nozzle at least 1-3 inches from the cleaning surface. Maintain a further distance from the cleaning area when using a direct spray.

12. TECHNICAL SPECIFICATIONS

Rated voltage	230 – 240 V
Rated frequency	50Hz
Rated power input	1650W
Rated pressure	90bar (9MPa)
Maximum pressure	135bar (13.5Mpa)
Rated flow	5l/min
Maximum flow rate	7l/min
Max. water inlet temperature	40°C
Protection class	II.
Weight	8.5kg
Maximum water input pressure in pascals	1.2Mpa
Acoustic power level (K = 3dB (A)); L _{pA}	93dB

WARRANTY

See the enclosed warranty conditions for warranty conditions.

ENVIRONMENT

If your appliance must be replaced after a prolonged period of being unused, do not throw it into the household waste, but dispose of it in an environmentally friendly way.

13. DISPOSAL



The machine, rechargeable batteries, accessories and packaging should be sorted for environmental friendly recycling.

Do not dispose of power tools and batteries/rechargeable batteries into household waste!

Only for EC countries:



According to the European Guideline 2012/19/EU, power tools that are no longer usable, and according to the European Guideline 2006/66/EC, defective or used battery packs/batteries, must be collected separately and disposed of in an environmentally correct manner.

INSTRUCTIONS AND INFORMATION ON DISPOSAL OF USED PACKAGING.

Put any used package material to the place determined by the municipality for waste disposal.

DISPOSAL OF USED ELECTRIC AND ELECTRONIC EQUIPMENT



This symbol on products or accompanying documents means that used electric or electronic products must not be put to ordinary municipal waste. Hand over such products to determined collection points for proper disposal, restoration and recycling. Alternatively, in some countries of the European Union or other European countries you can return your products to your local dealer when you buy an equivalent new product. By dutiful disposal of this product you can preserve precious natural resources and you help prevent any potential adverse effects on the environment and human health which could be the results of wrong waste disposal. Ask your local authority or the nearest collection point for additional details. In case of improper disposal of this waste kind penalties can be imposed in accordance with national regulations.

For companies in the European Union countries

Should you want to dispose of electric and electronic devices, ask your dealer or vendor for necessary information..

Disposal in other countries outside the European Union

Should you want to dispose of this product, ask your local authorities or your dealer for necessary information about disposal method.



This product fulfils all basic requirements of the EU directives that apply to it.

Text, design and technical specifications can change without prior notice and we reserve the right for their change.

User manual in the original language.

14. DECLARATION OF CONFORMITY

FAST®

FAST ČR, a.s.
 Černokostelecká 2111, 100 00 Praha 10, Czech Republic
 tel: +420 323 204 111, fax: +420 323 204 110

EU DECLARATION OF CONFORMITY

Product/ brand: Electric High Pressure Cleaner / **FIELDMANN**

Type/ model: **FDW 201650-E** as factory model HRA03P
 AC 230–240 V, 50 Hz, 1650 W, max. 7 l/min, 13,5Mpa, IPX5, Class II
 LpA 87 dB(A), LwA 93 dB(A)

Manufacturer: FAST ČR, a.s.
 Černokostelecká 2111, 100 00 Praha 10, Czech Republic
 VAT no: CZ26726548

The product is inline with directives and regulations listed below:

Directive MD 2006/42/EC
 Directive EMC 2014/30/EU
 Directive NOISE 2000/49/EC
 Directive RoHS 2011/65/EU

and norms:

EN 60335-1:2012+A11+A13+A1+A14+A2
 EN 60335-2-79:2012
 EN 62233:2008
 EN 55014-1:2017+A11:2020
 EN 55014-2:2015
 EN IEC 61000-3-2:2019
 EN 61000-3-3:2013+A1:2019
 EN IEC 61000-3-11:2019



Place of issuance: Prague

Name: Ing. Zdeněk Pech
 Chairman of the Board

Date of issuance: 4. 8. 2021

Signature:

FAST FAST ČR, a.s. ©
 Černokostelecká 2111, 100 00 Praha 10
 IČO 26726548 tel: +420 323 204 111
 DIČ CZ26726548 fax: +420 323 204 110

IČO: 26726548, DIČ: CZ26726548

Bankovní spojení: Komerční banka Praha 1, č.ú. 89309011/0100, ČSOB Praha 1, č.ú. 8010-0116233383/0300
 Česká spořitelna Praha 4, č.ú. 2375682/0800

Vysokotlaký čistič

UŽIVATELSKÁ PŘÍRUČKA

Děkujeme vám za zakoupení tohoto vysokotlakého čističe. Před jeho použitím si prosím pozorně přečtete tuto uživatelskou příručku a uschovejte ji pro případné pozdější použití

OBSAH

1. DŮLEŽITÉ BEZPEČNOSTNÍ TIPY.....	28
2. DŮLEŽITÁ BEZPEČNOSTNÍ OPATŘENÍ.....	28
3. OBECNÁ BEZPEČNOSTNÍ OPATŘENÍ.....	29
4. SYMBOLY.....	30
5. SERVIS SPOTŘEBIČŮ S DVOJITOU IZOLACÍ.....	32
6. POUŽÍVÁNÍ PRODLUŽOVACÍCH KABELŮ.....	32
7. SPRÁVNÉ POUŽÍVÁNÍ TOHOTO TLAKOVÉHO ČISTIČE.....	33
8. POPIS STROJE.....	34
9. POKYNY PRO SESTAVENÍ.....	35
9. POKYNY K OBSLUZE.....	41
10. ČIŠTĚNÍ A SKLADOVÁNÍ.....	43
11. ÚDRŽBA.....	44
12. TECHNICKÉ ÚDAJE.....	45
13. LIKVIDACE.....	46
14. PROHLÁŠENÍ O SHODĚ.....	47

1. DŮLEŽITÉ BEZPEČNOSTNÍ TIPY

Nikdy nemiřte vysokotlakou tryskou na osoby nebo zvířata.

Nikdy během používání tohoto tlakového čističe nepijte alkohol a nepoužívejte drogy.

Nikdy nepoužívejte tento tlakový čistič, pokud stojíte ve vodě.

Nikdy se nedotýkejte elektrické zástrčky mokřýma rukama.

Nikdy nenechávejte elektrická připojení ležet ve vodě.

Nikdy nepoužívejte tento tlakový čistič, aniž byste zapnuli vodu.

Nikdy nepoužívejte v tomto tlakovém čističi horkou vodu.

2. DŮLEŽITÁ BEZPEČNOSTNÍ OPATŘENÍ

⚠ VAROVÁNÍ! Během používání tohoto produktu je nutno vždy dodržovat základní bezpečnostní opatření, včetně následujících:

1. Před použitím tohoto produktu si přečtěte všechny pokyny. Uschovejte všechny bezpečnostní pokyny.
2. Nepoužívejte tento tlakový čistič, jestliže cítíte únavu nebo jste pod vlivem alkoholu či drog.
3. Nebezpečí vstříknutí nebo zranění – nesměrujte proud vody s vysokým tlakem na osoby nebo zvířata.
4. Nikdy nedovolte, aby tento tlakový čistič používaly děti.
5. Aby bylo minimalizováno nebezpečí, je při použití tohoto tlakového čističe v blízkosti dětí nutný přísný dohled.
6. Naučte se, jak tento přístroj zastavit a jak okamžitě snížit tlak. Naučte se dokonale používat ovládací prvky.
7. Buďte ostražití – vždy si buďte vědomi, kam směřujete vysokotlaký postřík.
8. Udržujte všechny osoby mimo oblast čištění.
9. Neustále udržujte pevný postoj a rovnováhu – nepřeceňujte své síly a nestůjte na nestabilní podpěře.
10. Pracovní oblast by měla mít odpovídající odtok, aby se snížilo nebezpečí pádu v důsledku kluzkého povrchu.
11. Dodržujte pokyny pro údržbu uvedené v této příručce.
12. Aby nedošlo k zasažení elektrickým proudem, udržujte všechna připojení v suchu a mimo zemi. Nedotýkejte se zástrčky mokřýma rukama.

3. OBECNÁ BEZPEČNOSTNÍ OPATŘENÍ

1. Určeno pouze pro venkovní použití v domácnostech.
2. Ve vysokotlaké hadici se mohou v důsledku opotřebení, nesprávného používání, zamotání apod. objevit trhliny. Nepoužívejte poškozenou hadici.
3. Nepoužívejte tento tlakový čistič v místech v blízkosti hořlavých materiálů, hořlavých plynů nebo prachu.
4. Některé chemikálie nebo čisticí prostředky mohou být v případě vdechnutí nebo polknutí škodlivé a mohou způsobit vážná zranění. Pokud hrozí nebezpečí vdechnutí výparů, vždy použijte respirátor nebo masku. Přečtěte si všechny pokyny dodávané k masce, abyste měli jistotu, že maska poskytuje nezbytnou ochranu před vdechnutím škodlivých výparů.
5. Před spuštěním tohoto tlakového čističe za chladného počasí zkontrolujte všechny části tohoto zařízení a ujistěte se, že se na něm nevytvořil led. Neskladujte tento přístroj v místech, kde teplota klesá pod 0 °C (32 °F).
6. **NEPROVÁDĚJTE ŽÁDNÉ ÚPRAVY JAKÝCHKOLI KOMPONENT!** Přístroje s rozbitými nebo chybějícími díly nebo bez ochranných krytů či pouzder **NIKDY** nepoužívejte
7. Během tlakování systému udržujte vysokotlakou hadici připojenou k tlakovému čističi a stříkácí pistoli. Odpojení hadice během tlakování přístroje je nebezpečné a může způsobit zranění.
8. Když je vypínač napájení zapnutý (ON), nenechávejte tlakový čistič bez dozoru.
9. Udržujte vodní postřík mimo elektrickou instalaci, jinak může dojít ke smrtelnému úrazu elektrickým proudem.

4. SYMBOLY

Štítky na vašich nástrojích a v návodě mohou zobrazovat symboly. Představují důležité informace o produktu nebo pokyny k jeho používání.



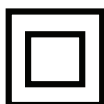
Varování! Nikdy nesměřujte pistoli na osoby, zvířata, části těla, zdroje energie nebo jakékoli elektrické spotřebiče



Přístroj není určen k připojení k síti s pitnou vodou



Přečtěte si pokyny



Ochranná třída II.



Tento produkt je vyroben v souladu se schválenými normami.



Elektrické přístroje nepatří do domácího odpadu



Používejte ochranu sluchu




Během používání tohoto produktu vždy používejte bezpečnostní brýle s boční ochranou a v případě potřeby také celoobličejový štít.



Hladina akustického výkonu

5. SERVIS SPOTŘEBIČŮ S DVOJITOU IZOLACÍ

U produktu s dvojitou izolací jsou namísto uzemnění k dispozici dva systémy izolace. Na produktu s dvojitou izolací nejsou žádné prostředky pro uzemnění, ani by k takovému produktu neměl být připojován žádný prostředek pro uzemnění. Servis produktu s dvojitou izolací vyžaduje mimořádnou opatrnost a znalosti systému, a měl by jej provádět pouze kvalifikovaný servisní technik. Náhradní díly pro produkt s dvojitou izolací musí být stejné, jako nahrazované díly. Produkt s dvojitou izolací je označen slovy „DOUBLE INSULATION“ (Dvojitá izolace) nebo „DOUBLE INSULATED“ (Dvojitě izolován).

Na produktu může být rovněž vyznačen tento  symbol.

6. POUŽÍVÁNÍ PRODLUŽOVACÍCH KABELŮ

Používání prodlužovacího kabelu u tohoto produktu NEDOPORUČUJEME. Pokud musíte použít prodlužovací kabel, použijte pouze prodlužovací kabel určený k venkovnímu použití. Tyto kabely jsou označeny značkou „ACCEPTABLE FOR USE WITH OUTDOOR APPLIANCES, STORE INDOORS WHILE NOT IN USE“ (Vhodné pro použití s venkovními spotřebiči. Pokud nepoužíváte, skladujte uvnitř). Používejte pouze prodlužovací kabely s jmenovitými elektrickými parametry minimálně stejnými, jako jsou jmenovité parametry produktu. Před použitím prodlužovací kabel zkontrolujte. NEPOUŽÍVEJTE POŠKOZENÉ PRODLUŽOVACÍ KABELY! Neodpojujte kabel ze zásuvky taháním za kabel – vždy jej odpojte vytažením zástrčky. Udržujte kabel mimo zdrojů tepla a ostrých hran. Před odpojením produktu od prodlužovacího kabelu vždy odpojte prodlužovací kabel ze zásuvky.

⚠ VAROVÁNÍ! Aby nedošlo k zasažení elektrickým proudem, udržujte všechna připojení v suchu a mimo zemi. Nedotýkejte se zástrčky mokřýma rukama.

- ✿ Nepoužívejte spotřebič, pokud je poškozen napájecí kabel nebo důležité části tohoto spotřebiče, jako například bezpečnostní zařízení, vysokotlaké hadice a spouštěcí pistole.
- ✿ Pokud používáte prodlužovací kabel, musí mít zástrčka a zásuvka vodotěsnou konstrukci.

⚠ VAROVÁNÍ! Nevhodné prodlužovací kabely mohou být nebezpečné.

- ✿ Před čištěním nebo údržbou, před výměnou dílů nebo před konverzí přístroje na jinou funkci odpojte zástrčku ze zásuvky.

7. SPRÁVNÉ POUŽÍVÁNÍ TOHOTO TLAKOVÉHO ČISTIČE

**TENTO PŘÍSTROJ JE URČEN POUZE K POUŽITÍ SE STUDENOU VODOU!
NEPOUŽÍVEJTE V TOMTO TLAKOVÉM ČISTIČI HORKOU VODU.**

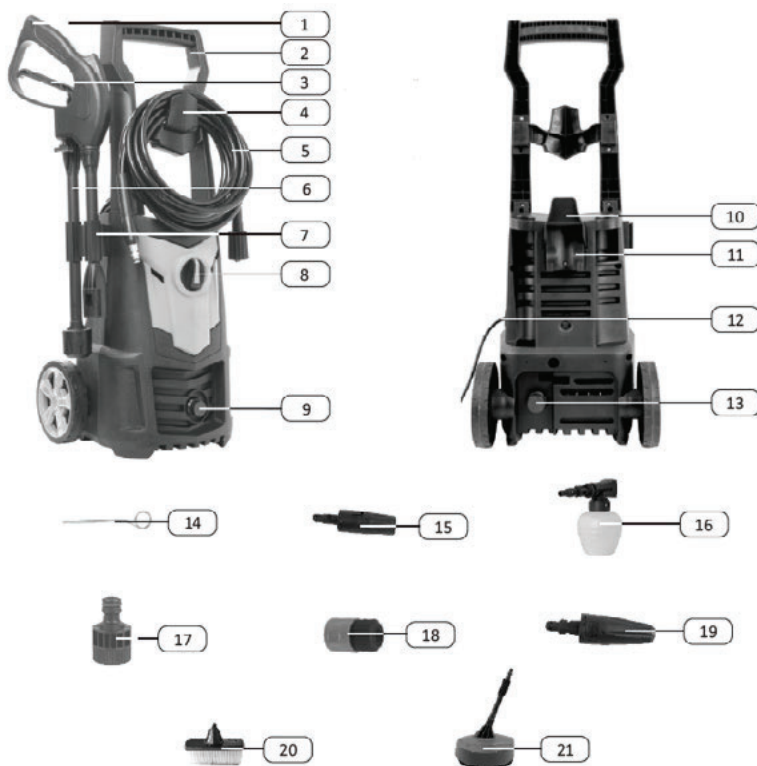
1. Používejte tento tlakový čistič s tlakem tekutiny, který nepřesahuje jmenovitý tlak pro tento tlakový čistič. Nikdy nepoužívejte tento tlakový čistič bez přívodu vody. Používání přístroje bez přívodu vody způsobí nenávratné poškození tohoto přístroje.
2. Zajistěte, aby přívod vody používaný pro tento tlakový čistič nebyl znečištěný, neobsahoval písek ani žádné žíravé chemické produkty. Používání znečištěného přívodu vody negativně ovlivňuje životnost tohoto tlakového čističe.
3. **⚠ UPOZORNĚNÍ** – Tento tlakový čistič lze používat pro množství různých aplikací, včetně umývání aut, lodí, nádvoří, palub, garáží apod. a všude tam, kde je pro odstranění nečistot a úlomků nezbytný vysoký tlak. **Proud vody s vysokým tlakem může v případě nesprávného použití poškodit pracovní povrch!** Viz část s názvem „Pokyny k obsluze“, kde najdete další podrobnosti. Vždy postřík nejprve otestujte v otevřené oblasti.
4. NIKDY nepřemísťujte přístroj taháním za vysokotlakou hadici. Používejte k tomuto účelu rukojeť umístěnou v horní části přístroje.
5. Vždy držte vysokotlakou pistoli a tyč oběma rukama. Jednu ruku držte na pistoli/spoušti, zatímco podepíráte tyč druhou rukou (viz obrázek).
6. Při rozptylování čisticího prostředku aplikuje tlakový čistič tento čisticí prostředek na čišťenou oblast pouze s nízkým tlakem. Po aplikaci čisticího prostředku odstraňte čisticí prostředek z pracovní oblasti pomocí postříku s využitím nastavitelné trysky.

8. POPIS STROJE

Vybalení z krabice

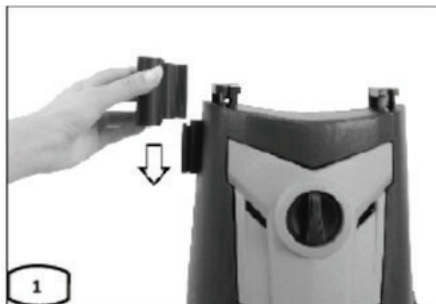
Po otevření krabice prosím vyjměte všechny díly a zkontrolujte je oproti následujícímu seznamu dodávaných komponentů:

- | | |
|--------------------------------|---|
| 1. Stříkácí pistole | 12. Přívodní kabel – 5m |
| 2. Madlo | 13. Vstupní závit na koncovku č. 17 |
| 3. Spoušť zbraně | 14. Jehla na čištění |
| 4. Držák na hadici | 15. Variabilní tryska |
| 5. Vysokotlaká hadice – 5m | 16. Nádobka na šampón |
| 6. Nástavec na trysky | 17. Vstupní koncovka s filtrem |
| 7. Držák na stříkácí pistoli | 18. ½" Rychlospojka na připojení hadice |
| 8. Vypínač zapnout/vypnout | 19. Turbo tryska |
| 9. Výstupní závit | 20. Kartáč na auto |
| 10. Držák na přívodní kabel | 21. Čistič ploch |
| 11. Držák na nádobku na šampón | |



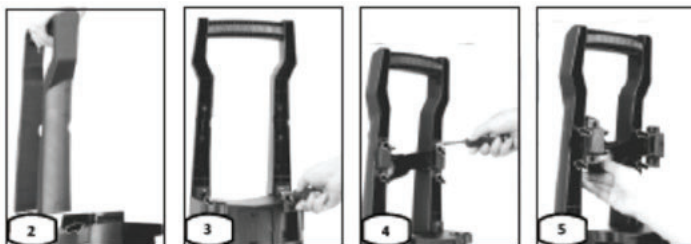
9. POKYNY PRO SESTAVENÍ

1. Uchycení držáku na pistol (č. 7) a příslušenství (obr. č. 1 níže)



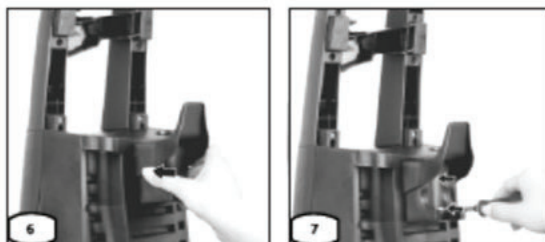
2. Uchycení madla a háku na hadici

1. Nasadíte madlo na tělo stroje (obr. č. 2) a upevníte jej pomocí 2 šroubů (obr. č. 3)
2. Namontujete háček na hadici a upevníte jej šrouby (obr. č. 4, 5)



3. Uchycení držáku na kabel a nádobku na šampón

1. Umístíte hák k tělu stroje a upevníte jej pomocí šroubů (obr. 6, 7)



4. Instalace vstupní koncovky s filtrem

1. Nejprve sundejte ochranný kryt ze vstupního závitu (obr. 8)
2. Poté našroubujte na závit koncovku s filtrem (obr. 9, 10)

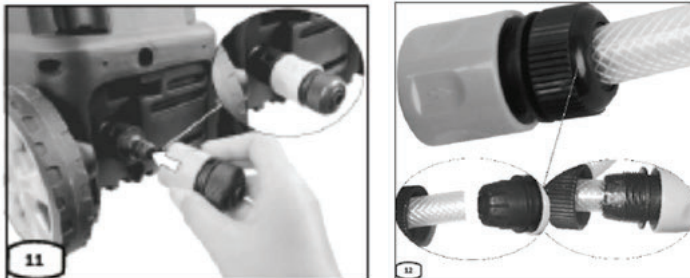
Poznámka: Vstupní filtr musí být vždy namontován do přírodního potrubí vody, aby odfiltraval písek, vápenc a jiné nečistoty, protože by poškodily ventily čerpadla.

UPOZORNĚNÍ! Pokud filtr nenamontujete, záruka zaniká.



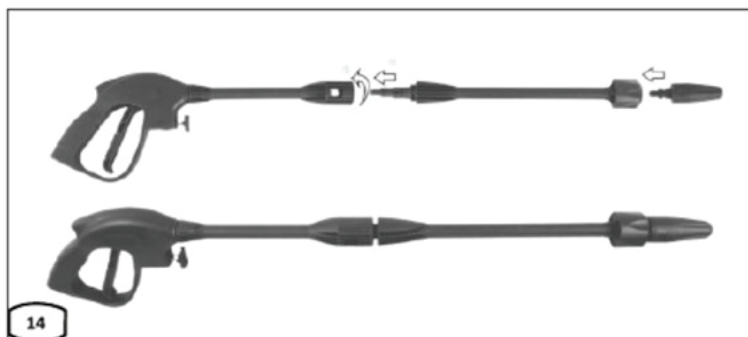
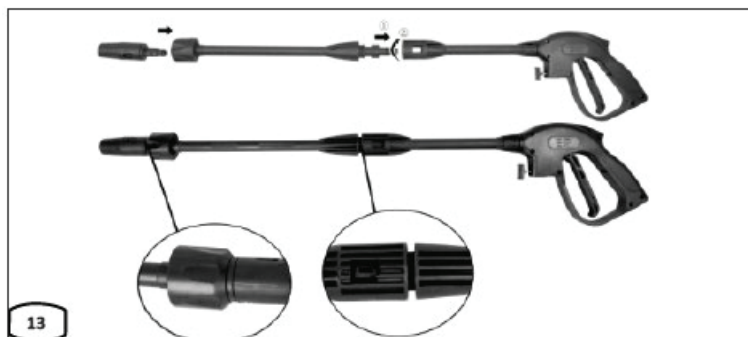
5. Připojení hadice o průměru 1/2" a rychlospojky

1. Připojte zahradní hadici 1/2" na standardní rychlospojku dle obr. 12 (rychlospojka součástí balení č. 18)
2. Poté zasuňte rychlospojku (č. 18) na vstupní koncovku (č. 17), uslyšíte cvaknutí, což znamená, že instalace proběhla úspěšně. V opačném případě, může dojít k úniku vody v tomto místě.



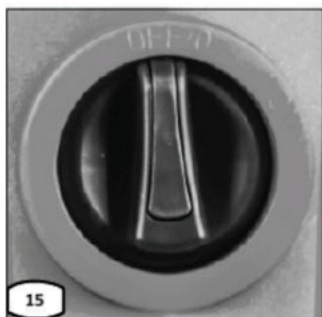
6. Sestavení stříkací pistole

1. Zasuňte nástavec na trysky (č. 6) do stříkací pistole (č. 1)
2. Po vložení jej otočte o 90° dokud se neobjeví zajišťovací konec trysky (obr. 13, 14)
3. Poté vložte do nástavce (č. 7) potřebnou trysku. (obr. 13, 14)



7. Montáž vysoko tlaké hadice


1. Ujistěte se, že je vypínač ON/OFF v poloze OFF (Vypnuto),(obr. 15)
2. Připevněte hadici k pistoli podle obrázku č. 16
3. Sundejte ochranný kryt z výstupního závitu (č. 9),(obr. 17)
4. Připojte vysoko tlakovou hadici na výstupní závit podle obrázku č. 18




8. Připojení nádoby na šampón

1. Zasuňte nádobku na šampón (č. 16) do nástavce na trysky (č. 6) dle obr. č. 19
2. Po vložení jej otočte o 90° dokud se neobjeví zajišťovací konec




 **Poznámka:** Prací prostředek je třeba ředit vodou, aby bylo dosaženo co nejlepšího výsledného efektu.

 **VAROVÁNÍ!** NIKDY NEPOUŽÍVEJTE PRODUKTY S BĚLIDLY, CHLÓREM NEBO JAKÝMKOLI JINÝMI ŽÍRAVÝMI MATERIÁLY, VČETNĚ TEKUTIN OBSAHUJÍCÍCH ROZPOUŠTĚDLA (TJ. PLYNY, OLEJI APOD.), PRODUKTY S FOSFOREČNANEM SODNÝM, ČPAVKEM NEBO ČISTICÍMI PROSTŘEDKY NA BÁZI KYSELIN. TYTO CHEMIKÁLIE BY PŘÍSTROJ POŠKODILY A ZPŮSOBILY BY ROVNĚŽ POŠKOZENÍ ČIŠTĚNÉHO POVRCHU. VŽDY ČTĚTE INFORMACE NA ŠTÍTCÍCH.

9. Montáž čističe ploch (č. 21)

1. Postupujte dle obrázku č. 20 níže
2. Vložte čep U a upevněte prodlužovací nástavec.

 **Poznámka:** Ujistěte se, že je spodní část čističe správně připevněna k prodlužovacímu nastavci pomocí U-čepu.



10. Připojení kartáče na auto (č. 20)

1. Zasuňte nástavec na trysky (č. 6) do stříkací pistole (č. 1)
2. Po vložení jej otočte o 90° dokud se neobjeví zajišťovací konec trysky (obr. 21)
3. Poté vložte do nástavce (č. 7) kartáč na auto (č. 20). (obr. 21)



9. POKYNY K OBSLUZE

**TENTO PŘÍSTROJ JE URČEN POUZE K POUŽITÍ SE STUDENOU VODOU!
NEPOUŽÍVEJTE V TOMTO TLAKOVÉM ČISTIČI HORKOU VODU!**

Spuštění

Po připojení tlakového čističe k přívodu studené vody postupujte následovně:

- ☼ Ujistěte se, že je vypínač ON/OFF v poloze OFF (Vypnuto).
- ☼ Sestavte stroj dle kroků č. 1. až 4. z kapitoly 8. Pokyny pro sestavení
- ☼ Připojte hadici k vstupní tvarovce podle kroku sestavení č. 5
- ☼ Sestavte pistoli dle kroku č. 6 a vložte požadovanou trysku (variabilní nebo turbo) nebo příslušenství z kroku č. 8, 9, 10 do pistole
- ☼ Připojte vysokotlakou hadici podle kroku sestavení č. 7.
- ☼ Otevřete zcela ventil přívodu vody.
- ☼ Před zapnutím přístroje stiskněte spoušť pistole pro odstranění veškerého zbývajícího vzduchu z čerpadla a hadice.
- ☼ Spusťte tlakový čistič přeplnutím vypínače on/off do polohy on (zapnuto) a zmáčkněte spoušť.

PŘÍPOMENUTÍ: Motor neběží nepřetržitě, pouze při zmáčknuté spoušti.

⚠ VAROVÁNÍ!

NEBEZPEČÍ VSTRÍKNUTÍ! Po zmáčknutí spouště začne přístroj stříkat. Když po ukončení používání přístroj vypnete, bude uvnitř hadice a přístroje stále existovat vysoký tlak. Nasměrujte pistoli bezpečným směrem a uvolněte nadbytečný tlak. NIKDY nesměrujte proud vody s vysokým tlakem na osoby nebo zvířata.

Automatické zapnutí/vypnutí

Tento tlakový čistič je vybaven automatickým vypínačem. Tlakový čistič se spustí pouze tehdy, když je vypínač napájení v poloze ON (Zapnuto) a je zmáčknutá spoušť na pistoli. Když uvolníte spoušť pro zastavení stříkání vody pomocí pistole, motor na tlakovém čističi se automaticky vypne. Pro pokračování v používání čističe spoušť jednoduše znovu zmáčkněte. Pro ukončení používání tohoto tlakového čističe uvolněte spoušť a přepněte přístroj do polohy OFF (Vypnuto). Během doby, kdy přístroj nepoužíváte nebo kdy je přístroj bez dozoru, jej zcela vypněte (OFF).

Odvzdušnění pistole

Před použitím tohoto tlakového čističe je velmi důležité pistoli odvzdušnit. Návod k sestavení tohoto tlakového čističe najdete v části „Pokyny pro sestavení“. Pro odvzdušnění pistole jednoduše připojte zahradní hadici k tlakovému čističi a zmáčkněte spoušť PŘED zapnutím dodávky elektrické energie. To umožňuje před použitím tohoto přístroje uvolnit vzduch uzavřený uvnitř tlakového čističe a pistole. Podržte spoušť po dobu přibližně jedné minuty, aby se mohl nadbytečný vzduch uvolnit z přístroje. Během této procedury bude přístrojem pod nízkým tlakem téct voda. Další tipy k odvzdušnění najdete v části s názvem „Pokyny k obsluze“.

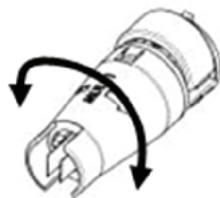
Bezpečnostní zámek pistole

Tento tlakový čistič je vybaven bezpečnostním zámkem spouště pistole. Když tlakový čistič nepoužíváte, použijte bezpečnostní zámek pro zamezení náhodné aktivaci vysokotlakého postříku.



Variabilní tryska

Variabilní tryska vám umožňuje používat různé vzory postříku od plného vějířového postříku až po přímý proud postříku. Během používání tohoto vysokotlakého čističe pro čištění dřevěných palub, obkladů, vozidel apod. vždy začněte používáním vějířového postříku minimálně ze vzdálenosti 90 cm (36"), aby nedošlo k poškození povrchu čištěného materiálu. Vždy začínejte postříkem testovací oblasti, kde se nevyskytují jiné osoby a předměty.



⚠ VAROVÁNÍ! Vysokotlaký proud může být v případě nesprávného použití nebezpečný. Je zakázáno směřovat trysku na osoby, elektrická zařízení pod proudem nebo samotný spotřebič.

⚠ VAROVÁNÍ! Nedělejte to za provozu, abyste zabránili tomu, že ruka zasáhne trysku.

✿ Nesměřujte trysku na sebe ani jiné osoby za účelem čištění oblečení nebo obuvi.

10. ČIŠTĚNÍ A SKLADOVÁNÍ

Vypnutí tohoto tlakového čističe

PO UKONČENÍ POUŽÍVÁNÍ TOHOTO TLAKOVÉHO ČISTIČE PROVEĎTE TYTO KROKY PRO VYPNUTÍ PŘÍSTROJE:

- ☼ Přepněte tlakový čistič do polohy OFF (Vypnuto).
- ☼ Uzavřete přívod vody.
- ☼ Před odpojením spojení vysokotlaké hadice nasměrujte pistolí bezpečným směrem a vypusťte vodu s vysokým tlakem.
- ☼ Odpojte vysokotlakou hadici z tlakového čističe a pistole.
- ☼ Odpojte zahradní hadici z tlakového čističe.
- ☼ Odstraňte ze zahradní hadice tvarovku rychlospojky a připevňte ji k vsuvce tvarovky nainstalované na tlakovém čističi pro uskladnění.
- ☼ Odstraňte z čerpadla nadbytečnou vodu naklopením přístroje na obou stranách pro vylití veškeré zbývající vody ze vstupních a výstupních tvarovek.
- ☼ Odstraňte filtr přívodu vody a opláchněte jej vodou pro odstranění nečistot a úlomků. Po vyčištění vraťte filtr zpět.
- ☼ Vypusťte nádržku na čisticí prostředek a vypláchněte ji tekoucí vodou.
- ☼ Utřete veškerou zbývající vodu na všech dílech a tvarovkách.
- ☼ Aktivujte bezpečnostní zámek pistole.
- ☼ Skladujte tlakový čistič, díly a příslušenství v místě s teplotou nad 0 °C (32 °F).

PROVEĎTE VŠECHNY VÝŠE UVEDENÉ POKYNY PRO VYPNUTÍ A NAVÍC TAKÉ NÁSLEDUJÍCÍ KROKY...

- ☼ Po odpojení přívodu vody a před odpojením vysokotlaké hadice zapněte tlakový čistič na **2–3 sekundy**, dokud neodstraníte z čerpadla jakoukoli zbývající vodu.

OKAMŽITĚ PŘÍSTROJ VYPNĚTE. POKRAČOVÁNÍ V POUŽÍVÁNÍ TOHOTO TLAKOVÉHO ČISTIČE BEZ PŘIPOJENÉHO PŘÍVODU VODY ZPŮSOBÍ VÁŽNÉ POŠKOZENÍ PŘÍSTROJE!

- ☼ Vždy skladujte tlakový čistič, díly a příslušenství v místě s teplotou nad 0 °C (32 °F).

⚠ VAROVÁNÍ!

V PŘÍPADĚ NEDODRŽENÍ TĚCHTO POKYŇŮ PRO SKLADOVÁNÍ MŮŽE DOJÍT K POŠKOZENÍ CELKU ČERPADLA.

11. ÚDRŽBA

- ✿ Tento tlakový čistič je dodáván s uzavřeným systémem mazání, takže není nutno přidávat žádný olej.
- ✿ Před použitím zkontrolujte, zda nedošlo k poškození všech hadic a příslušenství.
- ✿ Pravidelně kontrolujte nánosy na vstupním filtru. Pravidelně tento filtr čistěte pro zajištění maximálního výkonu.

TIPY PRO ČIŠTĚNÍ

⚠ VAROVÁNÍ!

PŘED STŘÍKÁNÍM NA CÍLOVÝ ČIŠTĚNÝ PLOCH VŽDY OTESTUJTE POSTŘÍK V OBLASTI BEZ POHYBU OSOB A VÝSKYTU PŘEDMĚTŮ.

Dřevěné a vinylové paluby

Opláchněte palubu a okolí pitnou vodou. Pokud používáte čisticí prostředek, naplňte nádržku čisticího prostředku a aplikujte jej pod nízkým tlakem na čišťenou oblast. Pro optimální výsledky rozdělte pracovní oblast na menší sekce a postupně je očistěte. Nechte čisticí prostředek několik minut působit na povrch a pak povrch opláchněte vysokým tlakem. **NENECHTE ČISTICÍ PROSTŘEDEK USCHNOUT.** Pro dosažení nejlepších výsledků vždy čistěte zleva doprava a shora dolů. Opláchněte vysokým tlakem **pomocí vějířového postříku** tak, že budete držet hrot postříkovací trysky alespoň 15–22 cm (6–9 in) od čišťeného povrchu. Při použití přímého postříku udržujte větší vzdálenost od čišťené oblasti.

⚠ UPOZORNĚNÍ! U jemnějších druhů dřeva zvyšte vzdálenost od čišťené oblasti.

Betonová nádvoří, kámen a cihla

Opláchněte čišťené místo a okolí pitnou vodou. Pokud používáte čisticí prostředek, naplňte nádržku čisticího prostředku a aplikujte jej pod nízkým tlakem na čišťenou oblast. Opláchněte vysokým tlakem **pomocí vějířového postříku** kývavým ohybem tak, že budete držet hrot postříkovací trysky alespoň 7–15 cm (3–6 in) od čišťeného povrchu. Při použití přímého postříku udržujte větší vzdálenost od čišťené oblasti.

Auta, lodě a motocykly

Opláchněte čišťené místo a okolí pitnou vodou. Pokud používáte čisticí prostředek, naplňte nádržku čisticího prostředku a aplikujte jej pod nízkým tlakem na čišťenou oblast. Pro dosažení nejlepších výsledků čistěte současně pouze jednu stranu. Nechte čisticí prostředek několik minut působit na povrch, ale nenechte jej uschnout. Opláchněte vysokým tlakem **pomocí vějířového postříku** kývavým ohybem tak, že budete držet hrot postříkovací trysky alespoň 20 cm (8 in) od čišťeného povrchu. Při použití přímého postříku udržujte větší vzdálenost od čišťené oblasti. U leštěného povrchu utřete povrch dosucha.

Barbecue grily, energetická zařízení a zahradní nástroje

Opláchněte čišťené místo a okolí pitnou vodou. Pokud používáte čisticí prostředek, naplňte nádržku čisticího prostředku a aplikujte jej pod nízkým tlakem na čišťenou oblast. Nechte čisticí prostředek několik minut působit na povrch, ale nenechte jej uschnout. Opláchněte vysokým tlakem **pomocí vějířového postříku** tak, že budete držet hrot postříkovací trysky alespoň 2–7 cm (1–3 in) od čišťeného povrchu. Při použití přímého postříku udržujte větší vzdálenost od čišťené oblasti.

12. TECHNICKÉ ÚDAJE

Jmenovité napětí	230 - 240 V
Jmenovitý kmitočet	50 Hz
Jmenovitý příkon	1650 W
Jmenovitý tlak	90 barů (9 MPa)
Maximální tlak	135 barů (13,5 Mpa)
Jmenovitý průtok	5 l/min
Maximální průtok	7 l/min
Max. teplota přívodu vody	40 °C
Stupeň ochrany	II.
Hmotnost	8,5 Kg
Maximální vstupní tlak vody v pascálech	1,2 Mpa
Úroveň akustického výkonu (K = 3 dB (A)): L_{pA}	93 dB

ZÁRUKA

Viz přiložené záruční podmínky, kde najdete podmínky záruky.

ŽIVOTNÍ PROSTŘEDÍ

Pokud je vaše zařízení po delší době používání potřeba vyměnit, nevyhazujte jej do domácího odpadu, ale zlikvidujte jej ekologicky šetrným způsobem.

13. LIKVIDACE



Toto nářadí, nabíjecí baterie, příslušenství a obaly musí být tříděny, aby byla zajištěna jejich ekologická recyklace.

Nevyhazujte elektrické nářadí a baterie nebo nabíjecí baterie do běžného domácího odpadu!

Pouze pro země z Evropské unie:



Podle evropské směrnice 2012/19/EU musí být elektrické nářadí, které již není dále používáno, a v souladu s evropskou směrnicí 2006/66/EC, musí být vadné nebo použité sady baterií/baterie, sbírány odděleně a likvidovány způsobem šetrným k životnímu prostředí.

POKYNY A INFORMACE K LIKVIDACI VYŘAZENÝCH OBALOVÝCH MATERIÁLŮ

Odevzdejte veškerý použitý obalový materiál na místě, které je určeno místními úřady pro likvidaci odpadu.

LIKVIDACE VYŘAZENÝCH ELEKTRICKÝCH A ELEKTRONICKÝCH ZAŘÍZENÍ



Tento symbol na výrobcích nebo v přiložené dokumentaci znamená, že vyřazená elektrická nebo elektronická zařízení nesmí být vyhazována do běžného komunálního odpadu. Odevzdejte tyto výrobky na určených sběrných místech, kde bude provedena jejich správná likvidace, obnovení a recyklace. V některých státech Evropské unie nebo v některých evropských zemích můžete při nákupu odpovídajícího nového výrobku vrátit vaše výrobky místnímu prodejci. Správnou likvidací tohoto výrobku pomáháte chránit cenné přírodní zdroje a zabráníte možným negativním dopadům na životní prostředí a lidské zdraví, ke kterým by mohlo dojít v důsledku nesprávné likvidace odpadu. Další podrobnosti vám poskytnou místní úřady nebo nejbližší sběrný dvůr. V případě nesprávné likvidace tohoto druhu odpadu mohou být uloženy pokuty v souladu s platnými národními předpisy.

Pro společnosti, které působí v zemích Evropské unie

Chcete-li zlikvidovat elektrická nebo elektronická zařízení, vyžádejte si potřebné informace od vašeho prodejce nebo dodavatele.

Likvidace v zemích mimo Evropskou unii

Chcete-li tento výrobek zlikvidovat, požádejte místní úřady nebo prodejce o nezbytné informace o způsobu likvidace.



Tento výrobek splňuje všechny základní požadavky všech příslušných směrnic EU.

Text, design a technické specifikace se mohou změnit bez předchozího upozornění a vyhrazujeme si právo na provádění těchto změn.

Uživatelské příručka v originálním jazyce.

14. PROHLÁŠENÍ O SHODĚ

FAST[®]FAST ČR, a.s.
Černokostecká 2111, 100 00 Praha 10, Czech Republic
tel.: +420 323 204 111, fax: +420 323 204 110

EU PROHLÁŠENÍ O SHODĚ

Produkt/ značka: Elektrický vysokotlaký čistič / **FIELDMANN**

Typ/ model: **FDW 201650-E** jako výrobní model HRA03P
AC 230-240 V; 50 Hz; 1650 W, max. 7l/min, 13,5Mpa, IPX5, Třída II
naměřená hladina akustického výkonu: LPA= 87 dB(A)
garantovaná hladina akustického výkonu: LWA= 93 dB(A)

Výrobce: FAST ČR, a.s.
Černokostecká 2111, 100 00 Praha 10, Czech Republic
VAT no: CZ26726548

Výrobek je ve shodě s níže uvedenými směrnicemi a nařízeními:

Directive MD 2006/42/EC
Directive EMC 2014/30/EU
Directive NOISE 2000/49/EC
Directive RoHS 2011/65/EU

a normami:

EN 60335-1:2012+A11+A13+A1+A14+A2
EN 60335-2-79:2012
EN 62233:2008
EN 55014-1:2017+A11:2020
EN 55014-2:2015
EN IEC 61000-3-2:2019
EN 61000-3-3:2013+A1:2019
EN IEC 61000-3-11:2019

**Vydáno v :** Praha**Jméno:** Ing. Zdeněk Pech
Chairman of the Board**Datum vydání:** 4. 8. 2021**Podpis:**

FAST[®] FAST ČR, a.s.
Černokostecká 2111, 100 00 Praha 10
IČO: 26726548 tel.: +420 323 204 111
DIČ: CZ26726548 fax: +420 323 204 110

IČO: 26726548, DIČ: CZ26726548

Bankovní spojení: Komerční banka Praha 1, č.ú. 89309011/0100, ČSOB Praha 1, č.ú. 8010-0116233383/0300
Česká spořitelna Praha 4, č.ú. 2375682/0800

Vysokotlakový čistič

POUŽÍVATEĽSKÁ PRÍRUČKA

Ďakujeme vám za kúpu tohto vysokotlakového čističa. Pred jeho použitím si, prosím, pozorne prečítajte túto používateľskú príručku a uschovajte ju na prípadné neskoršie použitie

OBSAH

1. DÔLEŽITÉ BEZPEČNOSTNÉ TIPY	50
2. DÔLEŽITÉ BEZPEČNOSTNÉ OPATRENIA.....	50
3. VŠEOBECNÉ BEZPEČNOSTNÉ OPATRENIA.....	51
4. SYMBOLY	52
5. SERVIS SPOTREBIČOV S DVOJITOU IZOLÁCIOU	54
6. POUŽÍVANIE PREDLŽOVACÍCH KÁBLOV	54
7. SPRÁVNE POUŽÍVANIE TOHTO TLAKOVÉHO ČISTIČA	55
8. POPIS STROJA	56
9. POKYNY NA ZOSTAVENIE	57
9. POKYNY NA OBSLUHU	63
10. ČISTENIE A SKLADOVANIE	65
11. ÚDRŽBA.....	66
12. TECHNICKÉ ÚDAJE.....	67
13. LIKVIDÁCIA.....	68
14. VYHLÁSENIE O ZHODE	69

1. DÔLEŽITÉ BEZPEČNOSTNÉ TIPY

Nikdy nemierite vysokotlakovou dýzou na osoby alebo zvieratá.

Nikdy počas používania tohto tlakového čističa nepite alkohol a nepoužívajte drogy.

Nikdy nepoužívajte tento tlakový čistič, ak stojíte vo vode.

Nikdy sa nedotýkajte elektrickej zástrčky mokrými rukami.

Nikdy nenechávajte elektrické pripojenia ležať vo vode.

Nikdy nepoužívajte tento tlakový čistič bez toho, aby ste zapli vodu.

Nikdy nepoužívajte v tomto tlakovom čističi horúcu vodu.

2. DÔLEŽITÉ BEZPEČNOSTNÉ OPATRENIA

⚠ VAROVANIE! Počas používania tohto produktu je nutné vždy dodržiavať základné bezpečnostné opatrenia, vrátane nasledujúcich:

1. Pred použitím tohto produktu si prečítajte všetky pokyny. Uschovajte všetky bezpečnostné pokyny.
2. Nepoužívajte tento tlakový čistič, ak cítite únavu alebo ste pod vplyvom alkoholu či drog.
3. Nebezpečenstvo vstretnutia alebo zranenia – nesmerujte prúd vody s vysokým tlakom na osoby alebo zvieratá.
4. Nikdy nedovoľte, aby tento tlakový čistič používali deti.
5. Aby bolo minimalizované nebezpečenstvo, je pri použití tohto tlakového čističa v blízkosti deťí nutný prísny dohľad.
6. Naučte sa, ako tento prístroj zastaviť a ako okamžite znížiť tlak. Naučte sa dokonale používať ovládacie prvky.
7. Buďte ostražití – vždy si buďte vedomí, kam smerujete vysokotlakový postrek
8. Udržujte všetky osoby mimo oblasti čistenia.
9. Neustále udržiajte pevný postoj a rovnováhu – nepreceňujte svoje sily a nestojte na nestabilnej podpere.
10. Pracovná oblasť by mala mať zodpovedajúci odtok, aby sa znížilo nebezpečenstvo pádu v dôsledku klzkého povrchu.
11. Dodržujte pokyny pre údržbu uvedené v tejto príručke.
12. Aby nedošlo k zasiahnutiu elektrickým prúdom, udržiajte všetky pripojenia v suchu a mimo zeme. Nedotýkajte sa zástrčky mokrými rukami.

3. VŠEOBECNÉ BEZPEČNOSTNÉ OPATRENIA

1. Určené iba na vonkajšie použitie v domácnostiach.
2. Vo vysokotlakovej hadici sa môžu v dôsledku opotrebenia, nesprávneho používania, zamotania a pod. objaviť trhliny. Nepoužívajte poškodenú hadicu.
3. Nepoužívajte tento tlakový čistič v miestach v blízkosti horľavých materiálov, horľavých plynov alebo prachu.
4. Niektoré chemikálie alebo čistiace prostriedky môžu byť v prípade vdýchnutia alebo prehltnutia škodlivé a môžu spôsobiť vážne zranenia. Ak hrozí nebezpečenstvo vdýchnutia výparov, vždy použite respirátor alebo masku. Prečítajte si všetky pokyny dodávané k maske, aby ste mali istotu, že maska poskytuje nevyhnutnú ochranu pred vdýchnutím škodlivých výparov.
5. Pred spustením tohto tlakového čističa za chladného počasia skontrolujte všetky časti tohto zariadenia a uistite sa, že sa na ňom nevývoril ľad. Neskladujte tento prístroj v miestach, kde teplota klesá pod 0 °C (32 °F).
6. NEVYKONÁVAJTE ŽIADNE ÚPRAVY AKÝCHKOLÍVEK KOMPONENTOV! Prístroje s rozbitými alebo chýbajúcimi dielmi alebo bez ochranných krytov či puzdier NIKDY nepoužívajte
7. Počas tlakovania systému udržiajte vysokotlakovú hadicu pripojenú k tlakovému čističu a striekacej pištoľi. Odpojenie hadice počas tlakovania prístroja je nebezpečné a môže spôsobiť zranenie.
8. Keď je vypínač napájania zapnutý (ON), nenechávajte tlakový čistič bez dozoru.
9. Udržujte vodný postrek mimo elektrickej inštalácie, inak môže dôjsť k smrteľnému úrazu elektrickým prúdom.

4. SYMBOLY

Štítky na vašich nástrojoch a v návode môžu zobrazovať symboly. Predstavujú dôležité informácie o produkte alebo pokyny na jeho používanie.



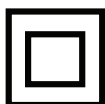
Varovanie! Nikdy nesmerujte pištoľ na osoby, zvieratá, časti tela, zdroje energie alebo akékoľvek elektrické spotrebiče.



Prístroj nie je určený na pripojenie k sieti s pitnou vodou.



Prečítajte si pokyny



Ochranná trieda II.



Tento produkt je vyrobený v súlade so schválenými normami.



Elektrické prístroje nepatria do domového odpadu



Používajte ochranu sluchu




Počas používania tohto produktu vždy používajte bezpečnostné okuliare s bočnou ochranou a v prípade potreby aj celotvárový štít.



Hladina akustického výkonu

5. SERVIS SPOTREBIČOV S DVOJITOU IZOLÁCIOU

Pri produkte s dvojitou izoláciou sú namiesto uzemnenia k dispozícii dva systémy izolácie. Na produkte s dvojitou izoláciou nie sú žiadne prostriedky na uzemnenie, ani by sa k takému produktu nemal pripájať žiadny prostriedok na uzemnenie. Servis produktu s dvojitou izoláciou vyžaduje mimoriadnu opatrnosť a znalosť systému, a mal by ho vykonávať iba kvalifikovaný servisný technik. Náhradné diely pre produkt s dvojitou izoláciou musia byť rovnaké, ako nahradzované diely. Produkt s dvojitou izoláciou je označený slovami „DOUBLE INSULATION“ (Dvojitá izolácia) alebo „DOUBLE INSULATED“ (Dvojito izolovaný).

Na produkte môže byť tiež vyznačený tento  symbol.

6. POUŽÍVANIE PREDLŽOVACÍCH KÁBLOV

Používanie predlžovacieho kábla pri tomto produkte NEODPORÚČAME. Ak musíte použiť predlžovací kábel, použite iba predlžovací kábel určený na vonkajšie použitie. Tieto káble sú označené značkou „ACCEPTABLE FOR USE WITH OUTDOOR APPLIANCES, STORE INDOORS WHILE NOT IN USE“ (Vhodné na použitie s vonkajšími spotrebičmi. Ak nepoužívate, skladujte vnútri). Používajte iba predlžovacie káble s menovitými elektrickými parametrami minimálne rovnakými, ako sú menovité parametre produktu. Pred použitím predlžovací kábel skontrolujte. NEPOUŽÍVAJTE POŠKODENÉ PREDLŽOVACIE KÁBLE! Neodpájajte kábel od zásuvky ťahaním za kábel – vždy ho odpojte vytiahnutím zástrčky. Udržujte kábel mimo zdrojov tepla a ostrých hrán. Pred odpojením produktu od predlžovacieho kábla vždy odpojte predlžovací kábel od zásuvky.

⚠ VAROVANIE! Aby nedošlo k zasiahnutiu elektrickým prúdom, udržiavajte všetky pripojenia v suchu a mimo zeme. Nedoťkajte sa zástrčky mokrymi rukami.

- ✿ Nepoužívajte spotrebič, ak je poškodený napájací kábel alebo dôležitá časť tohto spotrebiča, ako napríklad bezpečnostné zariadenia, vysokoťlakové hadice a spúšťacie pištole.
- ✿ Ak používate predlžovací kábel, musí mať zástrčka a zásuvka vodotesnú konštrukciu.

⚠ VAROVANIE! Nevhodné predlžovacie káble môžu byť nebezpečné.

- ✿ Pred čistením alebo údržbou, pred výmenou dielov alebo pred konverziou prístroja na inú funkciu odpojte zástrčku od zásuvky.

7. SPRÁVNE POUŽÍVANIE TOHTO TLAKOVÉHO ČISTIČA

TENTO PRÍSTROJ JE URČENÝ IBA NA POUŽITIE SO STUDENOU VODOU! NEPOUŽÍVAJTE V TOMTO TLAKOVOM ČISTIČI HORÚCU VODU.

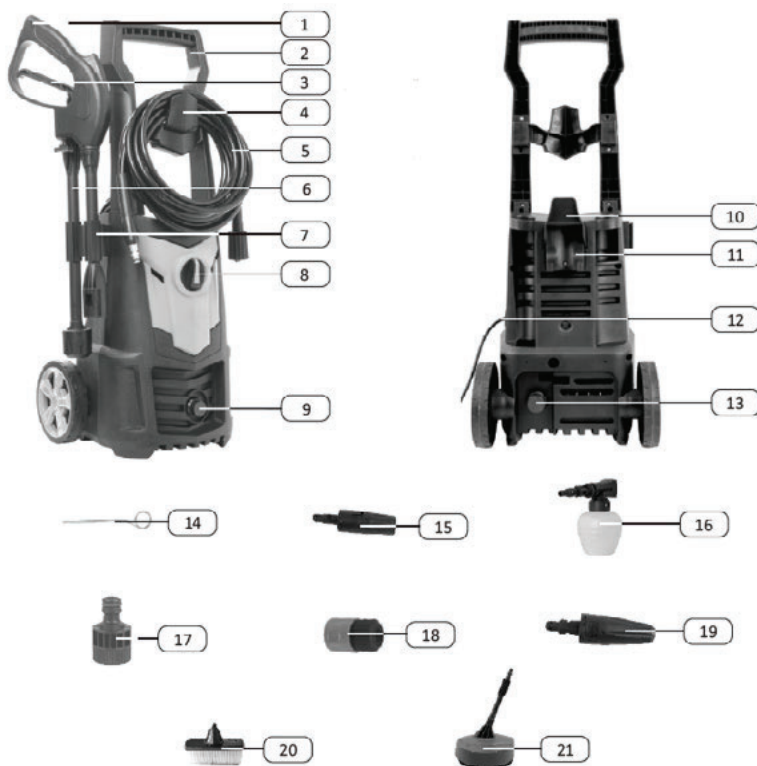
1. Používajte tento tlakový čistič s tlakom tekutiny, ktorý nepresahuje menovitý tlak pre tento tlakový čistič. Nikdy nepoužívajte tento tlakový čistič bez prívodu vody. Používanie prístroja bez prívodu vody spôsobí nenávratné poškodenie tohto prístroja.
2. Zaisťte, aby prívod vody používaný pre tento tlakový čistič nebol znečistený, neobsahoval piesok ani žiadne žieravé chemické produkty. Používanie znečisteného prívodu vody negatívne ovplyvňuje životnosť tohto tlakového čističa.
3. **⚠ UPOZORNENIE** – Tento tlakový čistič je možné používať na množstvo rôznych aplikácií, vrátane umývania áut, lodí, nádvorí, palúb, garáží a pod. a všade tam, kde je na odstránenie nečistôt a úlomkov nevyhnutný vysoký tlak.
Prúd vody s vysokým tlakom môže v prípade nesprávneho použitia poškodiť pracovný povrch! Pozrite časť s názvom „Pokyny na obsluhu“, kde nájdete ďalšie podrobnosti. Vždy postrek najprv otestujte v otvorenej oblasti.
4. NIKDY nepremiestňujte prístroj ťahaním za vysokotlakovú hadicu. Používajte na tento účel rukoväť umiestnenú v hornej časti prístroja.
5. Vždy držte vysokotlakovú pištoľ a tyč oboma rukami. Jednu ruku držte na pištoľi/spúšti, zatiaľ čo podopierate tyč druhou rukou (pozrite obrázok).
6. Pri rozptyľovaní čistiaceho prostriedku aplikuje tlakový čistič tento čistiaci prostriedok na čistenú oblasť iba s nízkym tlakom. Po aplikácii čistiaceho prostriedku odstráňte čistiaci prostriedok z pracovnej oblasti pomocou postreku s využitím nastaviteľnej dýzy.

8. POPIS STROJA

Vybalenie zo škatule

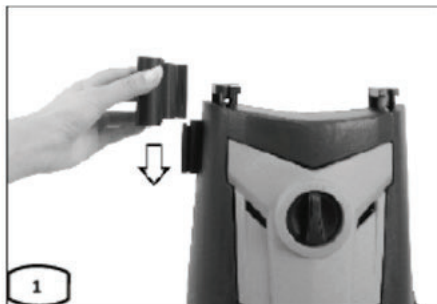
Po otvorení škatule, prosím, vyberte všetky diely a skontrolujte ich oproti nasledujúcemu zoznamu dodávaných komponentov:

- | | |
|---------------------------------|--|
| 1. Striekacia pištoľ | 12. Prívodný kábel – 5 m |
| 2. Držadlo | 13. Vstupný závit na koncovku č. 17 |
| 3. Spúšň zbrane | 14. Ihla na čistenie |
| 4. Držiak na hadicu | 15. Variabilná dýza |
| 5. Vysokotlaková hadica – 5 m | 16. Nádobka na šampón |
| 6. Nadstavec na dýzy | 17. Vstupná koncovka s filtrom |
| 7. Držiak na striekaciu pištoľ | 18. ½" Rýchlospojka na pripojenie hadice |
| 8. Vypínač zapnúť/vypnúť | 19. Turbo dýza |
| 9. Výstupný závit | 20. Keňa na auto |
| 10. Držiak na prívodný kábel | 21. Čistič plôch |
| 11. Držiak na nádobku na šampón | |



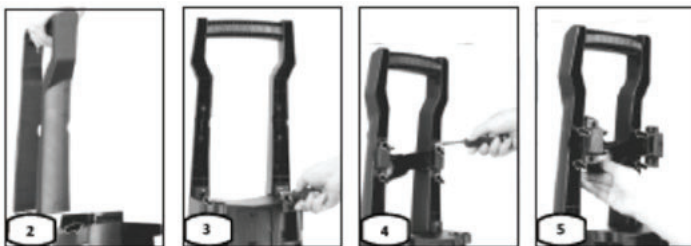
9. POKYNY NA ZOSTAVENIE

1. Uchytenie držiaka na pištoľ (č. 7) a príslušenstvo (obr. č. 1 nižšie)



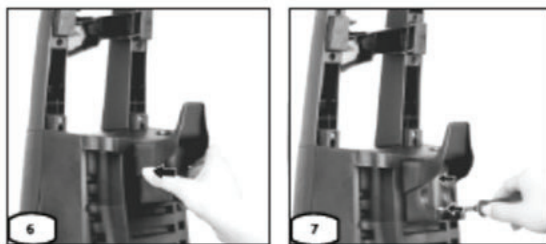
2. Uchytenie držadla a háka na hadicu

1. Nasadíte držadlo na telo stroja (obr. č. 2) a upevníte ho pomocou 2 skrutiek (obr. č. 3)
2. Namontujete háčik na hadicu a upevníte ho skrutkami (obr. č. 4, 5)



3. Uchytenie držiaka na kábel a nádobku na šampón

1. Umiestníte hák k telu stroja a upevníte ho pomocou skrutiek (obr. 6, 7)



4. Inštalácia vstupnej koncovky s filtrom

1. Najprv zložte ochranný kryt zo vstupného závitú (obr. 8)
2. Potom naskrutkujte na závit koncovku s filtrom (obr. 9, 10)

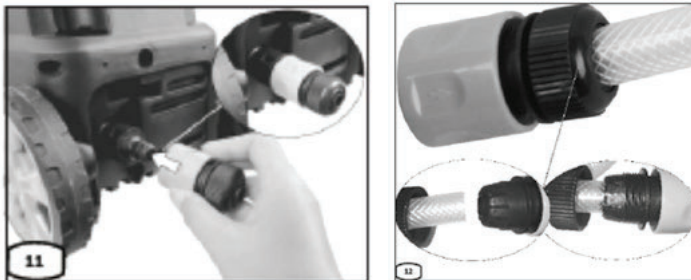
Poznámka: Vstupný filter musí byť vždy namontovaný do prívodného potrubia vody, aby odfiltraval piesok, vápenc a iné nečistoty, pretože by poškodili ventily čerpadla.

UPOZORNENIE! Ak filter nenamontujete, záruka zaniká.



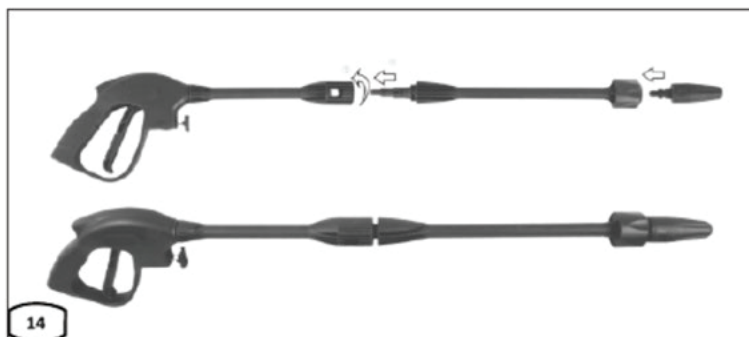
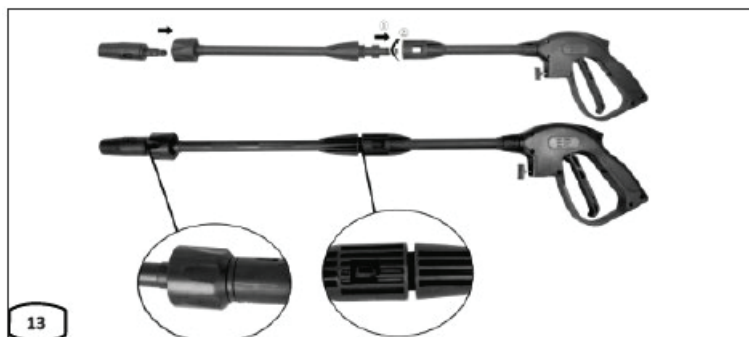
5. Pripojenie hadice s priemerom 1/2" a rýchlospojky

1. Pripojte záhradnú hadicu 1/2" na štandardnú rýchlospojku podľa obr. 12 (rýchlospojka súčasťou balenia č. 18)
2. Potom zasuňte rýchlospojku (č. 18) na vstupnú koncovku (č. 17), začujete cvaknutie, čo znamená, že inštalácia prebehla úspešne. V opačnom prípade, môže dôjsť k úniku vody v tomto mieste.



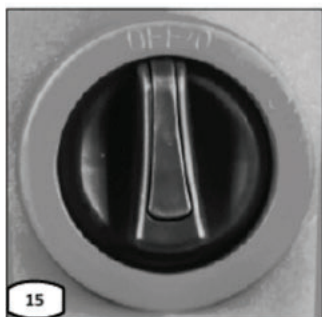
6. Zostavenie striekacej pištole

1. Zasuňte nastavac na dýzu (č. 6) do striekacej pištole (č. 1)
2. Po vložení ho otočte o 90°, kým sa neobjaví zaisťovací koniec dýzy (obr. 13, 14)
3. Potom vložte do nastavca (č. 7) potrebnú dýzu. (obr. 13, 14)



7. Montáž vysoko tlakovej hadice

1. Uistite sa, že je vypínač ON/OFF v polohe OFF (Vypnuté), (obr. 15)
2. Pripievte hadicu k pištoľi podľa obrázka č. 16
3. Zložte ochranný kryt z výstupného závitú (č. 9), (obr. 17)
4. Pripojte vysoko tlakovú hadicu na výstupný závit podľa obrázka č. 18




8. Pripojenie nádoby na šampón

1. Zasuňte nádobku na šampón (č. 16) do nastavca na dýzy (č. 6) podľa obr. č. 19
2. Po vložení ho otočte o 90°, kým sa neobjaví zaistovací koniec




 **Poznámka:** Prací prostriedok je potrebné riediť vodou, aby sa dosiahol čo najlepší výsledný efekt.

 **VAROVANIE!** NIKDY NEPOUŽÍVAJTE PRODUKTY S BIELIDLAMI, CHLÓROM ALEBO AKÝMKOLIEK INÝMI ŽIERAVÝMI MATERIÁLMI, VRÁTANE TEKUTÍN OBSAHUJÚCICH ROZPÚŠŤADLÁ (T. J. PLYNMI, OLEJMI A POD.), PRODUKTY S FOSFOREČNANOM SODNÝM, ČPAVKOM ALEBO ČISTIACIMI PROSTRIEDKAMI NA BÁZE KYSELÍN. TIETO CHEMIKÁLIE BY PRÍSTROJ POŠKODILI A SPÔSOBILI BY TIEŽ POŠKODENIE ČISTENÉHO POVRCHU. VŽDY ČÍTAJTE INFORMÁCIE NA ŠTÍTKOCH.

9. Montáž čističa plôch (č. 21)

1. Postupujte podľa obrázka č. 20 nižšie
2. Vložte čap U a upevnite predlžovací nastavec.

 **Poznámka:** Uistite sa, že je spodná časť čističa správne pripevnená k predlžovaciemu nastavcu pomocou U-čapu.



10. Pripojenie kefy na auto (č. 20)

1. Zasuňte nastavtec na dýzy (č. 6) do striekacej pištole (č. 1)
2. Po vložení ho otočte o 90°, kým sa neobjaví zaisťovací koniec dýzy (obr. 21)
3. Potom vložte do nastavca (č. 7) kefy na auto (č. 20). (obr. 21)



9. POKYNY NA OBSLUHU

**TENTO PRÍSTROJ JE URČENÝ IBA NA POUŽITIE SO STUDENOU VODOU!
NEPOUŽÍVAJTE V TOMTO TLAKOVOM ČISTIČI HORÚCU VODU!**

Spustenie

Po pripojení tlakového čističa k prívodu studenej vody postupujte nasledovne:

- ☼ Uistite sa, že je vypínač ON/OFF v polohe OFF (Vypnuté).
- ☼ Zostavte stroj podľa krokov č. 1. až 4. z kapitoly 8. Pokyny na zostavenie
- ☼ Pripojte hadicu k vstupnej tvarovke podľa kroku zostavenia č. 5
- ☼ Zostavte pištoľ podľa kroku č. 6 a vložte požadovanú dýzu (variabilnú alebo turbo) alebo príslušenstvo z kroku č. 8, 9, 10 do pištole
- ☼ Pripojte vysokotlakovú hadicu podľa kroku zostavenia č. 7.
- ☼ Otvorte celkom ventil prívodu vody.
- ☼ Pred zapnutím prístroja stlačte spúšť pištole na odstránenie všetkého zostávajúceho vzduchu z čerpadla a hadice.
- ☼ Spustíte tlakový čistič prepnutím vypínača on/off do polohy on (zapnuté) a stlačte spúšť.

PRIPOMENUTIE: Motor nebeží nepretržite, iba pri stlačenej spúšti.

⚠ VAROVANIE!

NEBEZPEČENSTVO VSTREKNUTIA! Po stlačení spúšte začne prístroj striekať. Keď po ukončení používania prístroj vypnete, bude vnútri hadice a prístroja stále existovať vysoký tlak. Nasmerujte pištoľ bezpečným smerom a uvoľníte nadbytočný tlak. NIKDY nesmerujte prúd vody s vysokým tlakom na osoby alebo zvieratá.

Automatické zapnutie/vypnutie

Tento tlakový čistič je vybavený automatickým vypínačom. Tlakový čistič sa spustí iba vtedy, keď je vypínač napájania v polohe ON (Zapnuté) a je stlačená spúšť na pištole. Keď uvoľníte spúšť na zastavenie striekania vody pomocou pištole, motor na tlakovom čističi sa automaticky vypne. Na pokračovanie v používaní čističa spúšť jednoducho znovu stlačte. Na ukončenie používania tohto tlakového čističa uvoľníte spúšť a prepnete prístroj do polohy OFF (Vypnuté). V čase, keď prístroj nepoužívate alebo keď je prístroj bez dozoru, ho celkom vypnite (OFF).

Odvzdušnenie pištole

Pred použitím tohto tlakového čističa je veľmi dôležité pištoľ odvzdušniť. Návod na zostavenie tohto tlakového čističa nájdete v časti „Pokyny na zostavenie“. Na odvzdušnenie pištole jednoducho pripojte záhradnú hadicu k tlakovému čističu a stlačte spúšť PRED zapnutím dodávky elektrickej energie. To umožňuje pred použitím tohto prístroja uvoľniť vzduch uzatvorený vnútri tlakového čističa a pištole. Podržte spúšť približne jednu minútu, aby sa mohol nadbytočný vzduch uvoľniť z prístroja. Počas tejto procedúry bude prístrojom pod nízkym tlakom tiecť voda. Ďalšie tipy na odvzdušnenie nájdete v časti s názvom „Pokyny na obsluhu“.

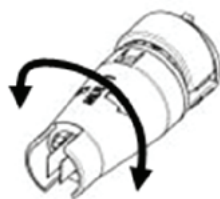
Bezpečnostná zámka pištole

Tento tlakový čistič je vybavený bezpečnostnou zámkou spúšte pištole. Keď tlakový čistič nepoužívate, použite bezpečnostnú zámku na zamedzenie náhodnej aktivácii vysokotlakového postreku.



Variabilná dýza

Variabilná dýza vám umožňuje používať rôzne vzory postreku od plného vejárového postreku až po priamy prúd postreku. Počas používania tohto vysokotlakového čističa na čistenie drevených palúb, obkladov, vozidiel a pod. vždy začnite používaním vejárového postreku minimálne zo vzdialenosti 90 cm (36"), aby nedošlo k poškodeniu povrchu čisteného materiálu. Vždy začínajte postrekom testovacej oblasti, kde sa nevyskytujú iné osoby a predmety.



⚠ VAROVANIE! Vysokotlakový prúd môže byť v prípade nesprávneho použitia nebezpečný. Je zakázané smerovať dýzu na osoby, elektrické zariadenia pod prúdom alebo samotný spotrebič.

⚠ VAROVANIE! Nerobte to za prevádzky, aby ste zabránili tomu, že ruka zasiahne dýzu.

✿ Nesmerujte dýzu na seba ani iné osoby s cieľom čistenia oblečenia alebo obuvi.

10. ČISTENIE A SKLADOVANIE

Vypnutie tohto tlakového čističa

PO UKONČENÍ POUŽÍVANIA TOHTO TLAKOVÉHO ČISTIČA VYKONAJTE TIETO KROKY NA VYPNUTIE PRÍSTROJA:

- ✿ Prepnite tlakový čistič do polohy OFF (Vypnuté).
- ✿ Uzatvorte prívod vody.
- ✿ Pred odpojením spojenia vysokotlakovej hadice nasmerujte pištoľ bezpečným smerom a vypustite vodu s vysokým tlakom.
- ✿ Odpojte vysokotlakovú hadicu z tlakového čističa a pištole.
- ✿ Odpojte záhradnú hadicu z tlakového čističa.
- ✿ Odstráňte zo záhradnej hadice tvarovku rýchl spojky a pripevnite ju k vsuvke tvarovky nainštalovanej na tlakovom čističi na uskladnenie.
- ✿ Odstráňte z čerpadla nadbytočnú vodu naklopením prístroja na oboch stranách na vylíatie všetkej zostávajúcej vody zo vstupných a výstupných tvaroviek.
- ✿ Odstráňte filter prívodu vody a opláchnite ho vodou na odstránenie nečistôt a úlomkov. Po vyčistení vráťte filter späť.
- ✿ Vypustite nádržku na čistiaci prostriedok a vypláchnite ju tečúcou vodou.
- ✿ Utrite všetku zostávajúcu vodu na všetkých dieloch a tvarovkách.
- ✿ Aktivujte bezpečnostnú zámku pištole.
- ✿ Skladujte tlakový čistič, diely a príslušenstvo v mieste s teplotou nad 0 °C (32 °F).

VYKONAJTE VŠETKY VYŠŠIE UVEDENÉ POKYNY NA VYPNUTIE A NAVYŠE AJ NASLEDUJÚCE KROKY...

- ✿ Po odpojení prívodu vody a pred odpojením vysokotlakovej hadice zapnite tlakový čistič na **2 – 3 sekundy**, kým neodstránite z čerpadla akúkoľvek zostávajúcu vodu.

OKAMŽITE PRÍSTROJ VYPNITE. POKRAČOVANIE V POUŽÍVANÍ TOHTO TLAKOVÉHO ČISTIČA BEZ PRIPOJENÉHO PRÍVODU VODY SPÔSOBÍ VÁŽNE POŠKODENIE PRÍSTROJA!

- ✿ Vždy skladujte tlakový čistič, diely a príslušenstvo v mieste s teplotou nad 0 °C (32 °F).

⚠ VAROVANIE!

V PRÍPADE NEDODRŽANIA TÝCHTO POKYNOV PRE SKLADOVANIE MÔŽE DÔJSŤ K POŠKODENIU CELKU ČERPADLA.

11. ÚDRŽBA

- ✿ Tento flakový čistič sa dodáva s uzatvoreným systémom mazania, takže nie je nutné pridávať žiadny olej.
- ✿ Pred použitím skontrolujte, či nedošlo k poškodeniu všetkých hadíc a príslušenstva.
- ✿ Pravidelne kontrolujte nánosy na vstupnom filtri. Pravidelne tento filter čistite na zaistenie maximálneho výkonu.

TIPY NA ČISTENIE

⚠ VAROVANIE!

PRED STRIEKANÍM NA CIEĽOVÝ ČISTENÝ POVRCH VŽDY OTESTUJTE POSTREK V OBLASTI BEZ POHYBU OSÔB A VÝSKYTU PREDMETOV.

Drevené a vinylové paluby

Opláchnite palubu a okolie pitnou vodou. Ak používate čistiaci prostriedok, naplňte nádržku čistiaceho prostriedku a aplikujte ho pod nízkym tlakom na čistenú oblasť. Pre optimálne výsledky rozdeľte pracovnú oblasť na menšie sekcie a postupne ich očistite. Nechajte čistiaci prostriedok niekoľko minút pôsobiť na povrch a potom povrch opláchnite vysokým tlakom. NENECHAJTE ČISTIACI PROSTRIEDOK USCHNÚŤ. Na dosiahnutie najlepších výsledkov vždy čistite zľava doprava a zhora nadol. Opláchnite vysokým tlakom **pomocou vejárového postreku** tak, že budete držať hrot postrekovacej dýzy aspoň 15 – 22 cm (6 – 9 in) od čisteného povrchu. Pri použití priameho postreku udržiajte väčšiu vzdialenosť od čistenej oblasti.

⚠ **UPOZORNENIE!** Pri jemnejších druhoch dreva zvyšte vzdialenosť od čistenej oblasti.

Betónové nádvoria, kameň a tehla

Opláchnite čistené miesto a okolie pitnou vodou. Ak používate čistiaci prostriedok, naplňte nádržku čistiaceho prostriedku a aplikujte ho pod nízkym tlakom na čistenú oblasť. Opláchnite vysokým tlakom **pomocou vejárového postreku** kývavým ohybom tak, že budete držať hrot postrekovacej dýzy aspoň 7 – 15 cm (3 – 6 in) od čisteného povrchu. Pri použití priameho postreku udržiajte väčšiu vzdialenosť od čistenej oblasti.

Autá, lode a motocykle

Opláchnite čistené miesto a okolie pitnou vodou. Ak používate čistiaci prostriedok, naplňte nádržku čistiaceho prostriedku a aplikujte ho pod nízkym tlakom na čistenú oblasť. Na dosiahnutie najlepších výsledkov čistite súčasne iba jednu stranu. Nechajte čistiaci prostriedok niekoľko minút pôsobiť na povrch, ale nenechajte ho uschnúť. Opláchnite vysokým tlakom **pomocou vejárového postreku** kývavým ohybom tak, že budete držať hrot postrekovacej dýzy aspoň 20 cm (8 in) od čisteného povrchu. Pri použití priameho postreku udržiajte väčšiu vzdialenosť od čistenej oblasti. Pri leštenom povrchu utrite povrch dosucha.

Barbecue grily, energetické zariadenia a záhradné nástroje

Opláchnite čistené miesto a okolie pitnou vodou. Ak používate čistiaci prostriedok, naplňte nádržku čistiaceho prostriedku a aplikujte ho pod nízkym tlakom na čistenú oblasť. Nechajte čistiaci prostriedok niekoľko minút pôsobiť na povrch, ale nenechajte ho uschnúť. Opláchnite vysokým tlakom pomocou vejárového postreku tak, že budete držať hrot postrekovacej dýzy aspoň 2 – 7 cm (1 – 3 in) od čisteného povrchu. Pri použití priameho postreku udržiajte väčšiu vzdialenosť od čistenej oblasti.

12. TECHNICKÉ ÚDAJE

Menovité napätie	230 – 240 V
Menovitý kmitočet	50 Hz
Menovitý príkon	1650 W
Menovitý tlak	90 barov (9 MPa)
Maximálny tlak	135 barov (13,5 MPa)
Menovitý prietok	5 l/min
Maximálny prietok	7 l/min
Max. teplota prívodu vody	40°C
Stupeň ochrany	II.
Hmotnosť	8,5 kg
Maximálny vstupný tlak vody v pascaloch	1,2 MPa
Úroveň akustického výkonu (K = 3 dB (A)): L_{pA}	93 dB

ZÁRUKA

Pozrite priložené záručné podmienky, kde nájdete podmienky záruky.

ŽIVOTNÉ PROSTREDIE

Ak je vaše zariadenie po dlhšom čase používania potrebné vymeniť, nevyhadzujte ho do domového odpadu, ale zlikvidujte ho ekologicky šetrným spôsobom.

13. LIKVIDÁCIA



Toto náradie, nabíjacia batéria, príslušenstvo a obaly sa musia triediť, aby bola zaistená ich ekologická recyklácia.

Nevyhadzujte elektrické náradie a batérie alebo nabíjacie batérie do bežného domového odpadu!

Iba pre krajiny z Európskej únie:



Podľa európskej smernice 2012/19/EU sa musí elektrické náradie, ktoré sa už ďalej nepoužíva, a v súlade s európskou smernicou 2006/66/EC, musia sa chybné alebo použité súpravy batérií/ batérie, zbierať oddelene a likvidovať spôsobom šetrným k životnému prostrediu.

POKYNY A INFORMÁCIE PRE LIKVIDÁCIU VYRADENÝCH OBALOVÝCH MATERIÁLOV

Odovzdajte všetok použitý obalový materiál na mieste, ktoré je určené miestnymi úradmi pre likvidáciu odpadu.

LIKVIDÁCIA VYRADENÝCH ELEKTRICKÝCH A ELEKTRONICKÝCH ZARIADENÍ



Tento symbol na výrobkoch alebo v priloženej dokumentácii znamená, že vyradené elektrické alebo elektronické zariadenia sa nesmú vyhadzovať do bežného komunálneho odpadu. Odovzdajte tieto výrobky na určených zberných miestach, kde sa vykoná ich správna likvidácia, obnovenie a recyklácia. V niektorých štátoch Európskej únie alebo v niektorých európskych krajinách môžete pri nákupe zodpovedajúceho nového výrobku vrátiť vaše výrobky miestnemu predajcovi. Správnu likvidáciou tohto výrobku pomáhate chrániť cenné prírodné zdroje a zabránite možným negatívnym dopadom na životné prostredie a ľudské zdravie, ku ktorým by mohlo dôjsť v dôsledku nesprávnej likvidácie odpadu. Ďalšie podrobnosti vám poskytnú miestne úrady alebo najbližší zberný dvor. V prípade nesprávnej likvidácie tohto druhu odpadu sa môžu uložiť pokuty v súlade s platnými národnými predpismi.

Pre spoločnosti, ktoré pôsobia v krajinách Európskej únie

Ak chcete zlikvidovať elektrické alebo elektronické zariadenia, vyžiadajte si potrebné informácie od vášho predajcu alebo dodávateľa.

Likvidácia v krajinách mimo Európskej únie

Ak chcete tento výrobok zlikvidovať, požiadajte miestne úrady alebo predajcu o nevyhnutné informácie o spôsobe likvidácie.



Tento výrobok spĺňa všetky základné požiadavky všetkých príslušných smerníc EÚ.

Text, dizajn a technické špecifikácie sa môžu zmeniť bez predchádzajúceho upozornenia a vyhradujeme si právo na vykonávanie týchto zmien.

Používateľská príručka v originálnom jazyku.

14. VYHLÁSENIE O ZHODE

FAST[®]

FAST ČR, a.s.
 Černokostecká 2111, 100 00 Praha 10, Czech Republic
 tel.: +420 323 204 111, fax: +420 323 204 110

EU VYHLASENIE O ZHODE

Produkt/ značka: Elektrický vysokotlakový čistič / **FIELDMANN**

Type/ model: **FDW 201650-E** ako továrni model HRA03P
 AC 230-240 V, 50 Hz, 1650 W, max. 7l/min, 13,5Mpa, IPX5, Trieda II,
 nameraná hladina akustického výkonu: LPA= 87 dB(A)
 garantovaná hladina akustického výkonu: LWA= 93 dB(A)

Výrobca: FAST ČR, a.s.
 Černokostecká 2111, 100 00 Praha 10, Czech Republic
 VAT no: CZ26726548

Výrobok je ve zhode s níže uvedenými smernicami a nariadeniami:

Directive MD 2006/42/EC
 Directive EMC 2014/30/EU
 Directive NOISE 2000/49/EC
 Directive RoHS 2011/65/EU

a normami:

EN 60335-1:2012+A11+A13+A1+A14+A2
 EN 60335-2-79:2012
 EN 62233:2008
 EN 55014-1:2017+A11:2020
 EN 55014-2:2015
 EN IEC 61000-3-2:2019
 EN 61000-3-3:2013+A1:2019
 EN IEC 61000-3-11:2019

**Vydáno v:** Praha**Meno:** Ing. Zdeněk Pech
Chairman of the Board**Dátum vydanie:** 4. 8. 2021**Podpis:**

FAST[®] FAST ČR, a.s.
 Černokostecká 2111, 100 00 Praha 10
 IČO: 26726548 tel.: +420 323 204 111
 DIČ: CZ26726548 fax: +420 323 204 110

IČO: 26726548, DIČ: CZ26726548

Bankovní spojení: Komerční banka Praha 1, č.ú. 89309011/0100, ČSOB Praha 1, č.ú. 8010-0116233383/0300
 Česká spořitelna Praha 4, č.ú. 2375682/0800

Magasnyomású tisztító

FELHASZNÁLÓI KÉZIKÖNYV

Köszönjük, hogy megvásárolta ezt a magasnyomású tisztítót. Használat előtt figyelmesen olvassa el a használati útmutatót és őrizze meg későbbi használathoz.

TARTALOM

1. FONTOS BIZTONSÁGI TIPPEK	72
2. FONTOS BIZTONSÁGI INTÉZKEDÉSEK	72
3. ÁLTALÁNOS BIZTONSÁGI INTÉZKEDÉSEK	73
4. JELEK	4
5. KETTŐS SZIGETELÉSŰ KÉSZÜLÉKEK SZERVIZELÉSE	76
6. HOSSZABBÍTÓ KÁBELEK HASZNÁLATA	76
7. A NAGYNYOMÁSÚ TISZTÍTÓ MEGFELELŐ HASZNÁLATA.....	77
8. A GÉP LEÍRÁSA	78
9. ÖSSZESZERELÉSI UTASÍTÁSOK.....	79
9. HASZNÁLATI UTASÍTÁSOK	85
10. TISZTÍTÁS ÉS TÁROLÁS	87
11. KARBANTARTÁS.....	88
12. MŰSZAKI ADATOK	89
13. MEGSEMMISÍTÉS	90
14. MEGFELELŐSÉGI NYILATKOZAT	91

1. FONTOS BIZTONSÁGI TIPPEK

- Soha** ne irányítsa a nagynyomású fúvócsövet emberekre vagy állatokra.
- Soha** ne igyon alkoholt és ne használjon drogot a nagynyomású tisztító használata közben.
- Soha** ne használja ezt a nagynyomású tisztítót vízben állva.
- Soha** ne fogja meg a hálózati csatlakozót vizes kézzel.
- Soha** ne hagyja az elektromos csatlakozásokat vízben.
- Soha** ne használja ezt a nagynyomású tisztítót víz nélkül.
- Soha** ne használja ezt a nagynyomású tisztítót forró vízzel.

2. FONTOS BIZTONSÁGI INTÉZKEDÉSEK

▲ FIGYELEM! A készülék használatakor mindig be kell tartani az alapvető biztonsági óvintézkedéseket, beleértve a következőket:

1. A termék használata előtt olvassa el az utasításokat. Őrizze meg a biztonsági útmutatókat.
2. Ne használja ezt a mosógépet, ha fáradtnak érzi magát, vagy alkohol vagy drog hatása alatt áll.
3. Befecskendezés vagy sérülés veszélye - Ne irányítsa a nagynyomású vízugarat emberekre vagy állatokra.
4. Soha ne engedje, hogy gyermekek használják ezt a nagynyomású tisztítót.
5. Hogy minimalizálják a veszélyeket, szigorú felügyelet szükséges, ha ezt a nagynyomású tisztítót gyermekek közelében használják.
6. Tanulja meg, hogyan állíthatja le a készüléket, és hogyan csökkentheti azonnal a nyomást. Tanulja meg tökéletesen használni a vezérlő-elemeket.
7. Legyen éber - mindig legyen tisztában azzal, hová irányítja a nagynyomású permetet
8. Tartson távol minden személyt a tisztítási területtől.
9. Mindig álljon szilárdan és tartsa meg egyensúlyát - ne becsülje túl az erejét, és ne álljon instabil támaszra.
10. A munkaterületnek megfelelő vízvezetéssel kell rendelkeznie, csökkentve a csúszós felületek miatt bekövetkező elcsúszás kockázatát.
11. Kövesse a kézikönyvben található karbantartási utasításokat.
12. Az áramütés kockázatának csökkentése érdekében tartsa az összes csatlakozást szárazon és a földtől távol. Ne érjen a csatlakozódugóhoz nedves kézzel.

3. ÁLTALÁNOS BIZTONSÁGI INTÉZKEDÉSEK

1. Csak kültéri háztartási használatra.
2. Repedések jelenhetnek meg a nagynyomású tömlőben kopás, helytelen használat, összegabalyodás stb. következtében. Ne használjon sérült tömlőt.
3. Ne használja ezt a nagynyomású tisztítót gyúlékony anyagok, gyúlékony gázok vagy por közelében.
4. Egyes vegyszerek vagy tisztítószerek károsak lehetnek belélegezve vagy lenyelve, és súlyos sérüléseket okozhatnak. Mindig használjon légzőkészüléket vagy maszkot, ha fennáll a gőzök belélegzésének veszélye. Olvassa el a maszkhoz mellékelte összes utasítást, hogy megbizonyosodjon arról, hogy a maszk megfelelő védelmet nyújt a káros füst belélegzése ellen.
5. Mielőtt hideg időben elindítaná ezt a mosógépet, ellenőrizze a berendezés minden alkatrészét, hogy nem képződött rajta jegesedés. Ne tárolja a készüléket olyan helyen, ahol a hőmérséklet 0 °C (32 °F) alá esik.
6. **AZ ALKATRÉSZEKET NE MÓDOSÍTSA!** SOHA ne használja a készüléket hibás vagy hiányzó alkatrészekkel, se védőburkolat vagy tok nélkül
7. Tartsa a nagynyomású tömlőt a nagynyomású tisztítóhoz és a szórópisztolhoz csatlakoztatva, miközben a rendszert nyomással látja el. A tömlő leválasztása, ha a készülék nyomása alatt van, veszélyes és sérüléseket okozhat.
8. Ne hagyja felügyelet nélkül a nagynyomású tisztítót, amikor a főkapcsoló be van kapcsolva (ON).
9. Tartsa távol a vízpermetet az elektromos telepítéstől, különben halálos áramütést okozhat.

4. JELEK

Az eszközökön és a kézikönyvben található címkék szimbólumokat jeleníthetnek meg. Fontos információkat nyújtanak a termékről vagy a használati utasításról.



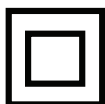
Figyelmeztetés! Soha ne irányítsa a szórópisztolyt emberekre, állatokra, testrészekre, áramforrásokra vagy bármilyen elektromos készülékre



A készüléket nem ivóvízellátáshoz kell csatlakoztatni



Olvassa el az utasításokat



II. védelmi osztály



Ezt a terméket a jóváhagyott szabványok szerint gyártják.



Az elektromos készülékek nem valók a háztartási hulladék közé



Használjon fülvédőt



A termék használata során mindig viseljen oldalvédővel ellátott védőszemüveget, és ha szükséges, teljes arcvédőt.



Hangteljesítményszint

5. KETTŐS SZIGETELÉSŰ KÉSZÜLÉKEK SZERVIZELÉSE

A kettős szigetelésű termékhez kettős szigetelési rendszer áll rendelkezésre földelés helyett. A kettős szigetelésű terméken nincs földelőeszköz, és semmilyen földelőeszközt sem szabad ilyen termékhez csatlakoztatni. A kettős szigetelésű termék szervizelése rendkívüli körültekintést és a rendszer ismeretét igényli, és csak szakképzett szerviztechnikus végezheti. A kettős szigetelésű termék alkatrészeinek meg kell egyezniük a cserélni kívánt részekkel. A kettős szigetelésű termék a "DOUBLE INSULATION" (kettős szigetelés) vagy "DOUBLE INSULATED" (duplán szigetelt) szavakkal van jelölve.

A terméken ez a jelzés  is megjelenhet.

6. HOSSZABBÍTÓ KÁBELEK HASZNÁLATA

A hosszabbító kábel használata ezzel a termékkel NEM AJÁNLOTT. Ha hosszabbító kábelt kell használni, akkor csak kültéri használatra tervezett hosszabbító kábelt használjon. Ezek a kábelek a „ACCEPTABLE FOR USE WITH OUTDOOR APPLIANCES, STORE INDOORS WHILE NOT IN USE” jelzéssel vannak jelölve (Alkalmos kültéri készülékekhez. Ha nem használja, tárolja beltérben.). Csak olyan hosszabbító kábeleket használjon, amelyek legalább azonos elektromos névleges értékkel rendelkeznek, mint a termék. Használat előtt ellenőrizze a hosszabbító kábelt. NE HASZNÁLJON SÉRÜLT HOSSZABBÍTÓ KÁBELEKET! Ne válassza le a tápellátásról a kábelen húzva - mindig húzza ki a csatlakozóból. Tartsa távol a kábelt hőforrásoktól és éles szélektől. Mindig válassza le a hosszabbító kábelt a tápellátásról, mielőtt kihúzza a terméket a hosszabbítóból.

▲ FIGYELEM! Az áramütés kockázatának csökkentése érdekében tartsa az összes csatlakozást szárazon és a földtől távol. Ne érjen a csatlakozódugóhoz nedves kézzel.

- ✿ Ne használja a készüléket, ha a tápkábel vagy a készülék fontos részei, például biztonsági berendezések, nagynyomású fűtlők és kioldópisztolyok megsérültek.
- ✿ Ha hosszabbító kábelt használ, a csatlakozónak és az aljzatnak vízállónak kell lennie.

▲ FIGYELEM! A nem megfelelő hosszabbító kábelek veszélyesek lehetnek.

- ✿ Tisztítás vagy karbantartás, az alkatrészek cseréje vagy a készülék más funkcióra történő állítása előtt húzza ki a csatlakozót az aljzattól.

7. A NAGYNYOMÁSÚ TISZTÍTÓ MEGFELELŐ HASZNÁLATA

**EZ A KÉSZÜLÉK CSAK HIDEG VÍZZEL HASZNÁLHATÓ!
SOHA NE HASZNÁLJA EZT A NAGYNYOMÁSÚ TISZTÍTÓT FORRÓ VÍZZEL.**

1. Ezt a nagynyomású tisztítót olyan folyadéknyomással használja, amely nem haladja meg a névleges nyomást. Soha ne használja ezt a nagynyomású tisztítót víz nélkül. A készülék vízellátás nélküli használata helyrehozhatatlan károkat okoz a készülékben.
2. Győződjön meg, hogy a nagynyomású tisztítóhoz használt vízellátás nem szennyezett, nem tartalmaz homokot vagy maró vegyszereket. A piszkos vízellátás használata hátrányosan befolyásolja a nagynyomású tisztító élettartamát.
3. **⚠ FIGYELEM** – Ez a nagynyomású tisztító különféle alkalmazásokhoz használható, beleértve az autók, csónakok, udvarok, fedélzetek, garázsok stb. és mindenhol máshol, ahol nagy nyomás szükséges a szennyeződések és törmelékek eltávolításához.

A nagynyomású vízsugarak helytelen használat esetén károsíthatják

a munkafelületet! További részletekért lásd a „Használati utasítások” című részt. A permetezést először mindig tesztelje szabad területen.

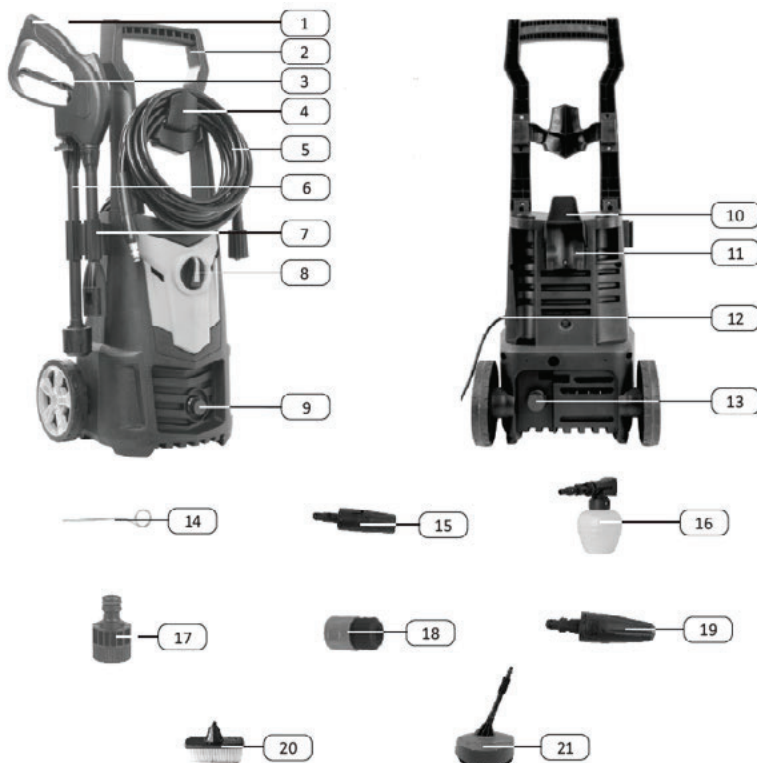
4. SOHA ne helyezze át a készüléket a nagynyomású tömlővel húzva. Erre a célra használja a készülék tetején található fogantyút.
5. Mindig két kézzel fogja a nagynyomású pisztolyt és a rudat. Tartsa az egyik kezét a pisztolyon/indítógombon, miközben a másik kezével megtámasztja a rudat (lásd az ábrát).
6. A tisztítószer permetezésekor a nagynyomású tisztító csak alacsony nyomáson alkalmazza ezt a tisztítószeret a tisztítandó területre. A tisztítószer alkalmazása után egy állítható fúvócső segítségével permetezéssel távolítsa el a tisztítószeret a munkaterületről.

8. A GÉP LEÍRÁSA

Kicsomagolás a dobozból

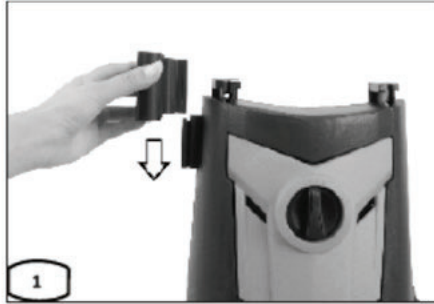
A doboz kinyitása után vegye ki az összes alkatrészt, és ellenőrizze őket a szállított alkatrészek alábbi listája szerint:

- | | |
|--------------------------------------|---|
| 1. Permetező pisztoly | 12. Tápkábel – 5 m |
| 2. Fogantyú | 13. Bemeneti menet a 17. sz fejhez |
| 3. A fegyver kioldógombja | 14. Tisztítótű |
| 4. Tömlőtartó | 15. Variábilis fúvófej |
| 5. Nagynyomású tömlő – 5 m | 16. Tisztítószeres tartály |
| 6. Fúvófej toldalék | 17. Szűrős bemeneti fej |
| 7. A permetező pisztoly tartója | 18. ½" Gyorscsatlakozó a tömlő csatlakoztatásához |
| 8. Be-/kikapcsoló | 19. Turbó fúvófej |
| 9. Kimeneti menet | 20. Autókefe |
| 10. A tápkábel tartója | 21. Felülettisztító |
| 11. A tisztítószeres tartály tartója | |



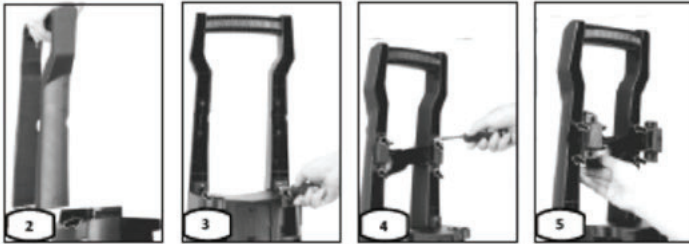
9. ÖSSZESZERELÉSI UTASÍTÁSOK

1. A tartó rögzítése a pisztolyra (7. sz.) és a tartozékokra (1. sz. ábra lent)



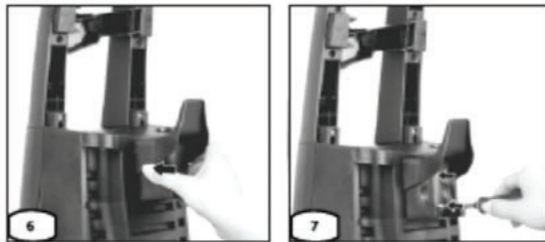
2. A fogantyú és a kampó rögzítése a tömlőn

1. Illessze fel a fogantyút a gép házára (2. sz. ábra) és 2 csavarral rögzítse (3. sz. ábra)
2. Szerelje fel a kampót a tömlőre, és csavarokkal rögzítse (4., 5. sz. ábra)



3. A kábeltartó és a tisztítószeres tartály rögzítése

1. Helyezze a kampót a gép testére, és csavarok segítségével rögzítse (6., 7. ábra)



4. A szűrős bemeneti fej felszerelése

1. Először vegye le a védőborítást a bemeneti menetről (8. ábra)
2. Ezután csavarja fel a menetre a szűrős fejet(9., 10. ábra)

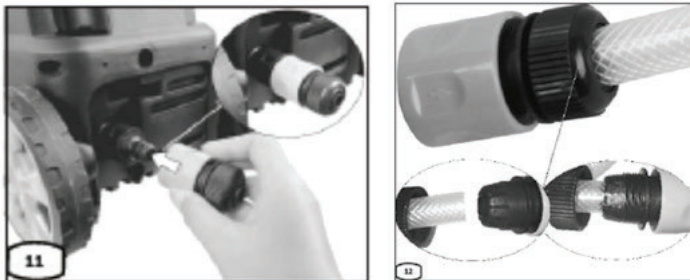
Megjegyzés: A bemeneti szűrőt mindig be kell szerelni a vízellátó vezetékbe, hogy kiszűrje a homokot, mészkövet és egyéb szennyeződéseket, mivel ezek károsíthatják a szivattyú szelepeit.

FIGYELMEZTETÉS! A szűrő telepítésének elmulasztása érvényteleníti a garanciát.



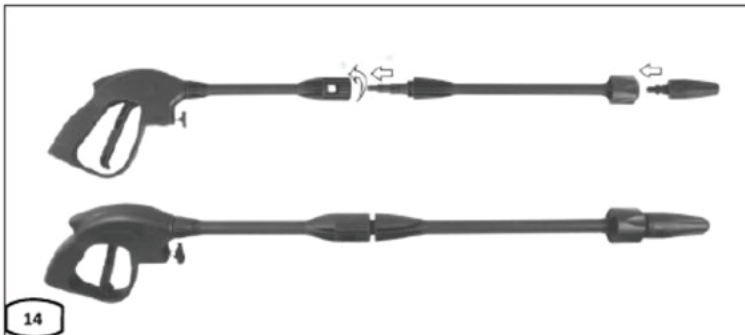
5. A 1/2" átmérőjű tömlő és a gyorscsatlakozó csatlakoztatása

1. Csatlakoztassa a 1/2" átmérőjű kerti tömlőt egy normál gyorscsatlakozóhoz a 12. ábrának megfelelően (a gyorscsatlakozó a csomag része, 18. sz.)
2. Ezután csúsztassa rá a gyorscsatlakozót (18. sz.) a bemeneti fejre (17. sz.), egy kattánást hall, ami azt jelenti, hogy az összeszerelés sikeres volt. Ellenkező esetben itt szökhet a víz.



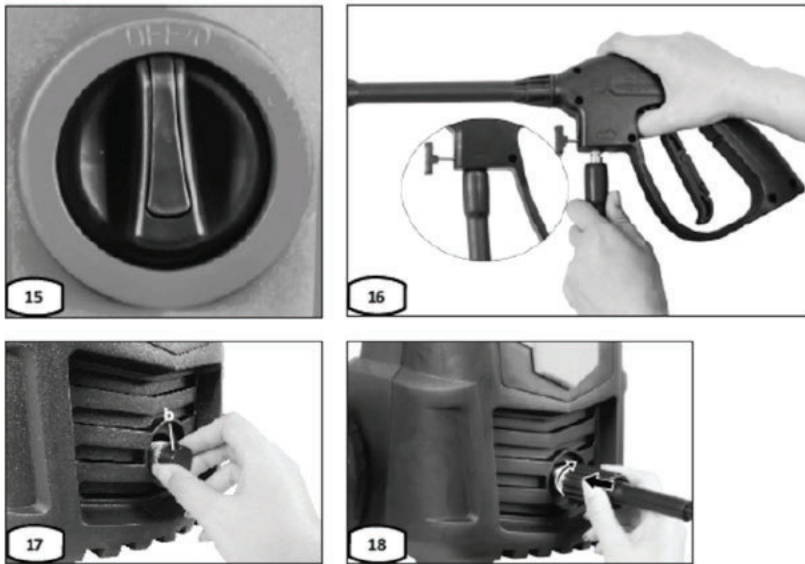
6. A permetező pisztoly összeállítása

1. Helyezze a fúvófej toldalékot (6. sz.) a kioldópisztolyba (1. sz.)
2. A behelyezés után fordítsa el 90°-kal, amíg láthatóvá nem válik a fúvóka vége (13., 14. ábra)
3. Ezután tegye be a toldalékba (7. sz.) a szükséges fúvókát. (13., 14. ábra)



7. A nagynyomású tömlő felszerelése

1. Győződjön meg róla, hogy az ON/OFF kapcsoló OFF (Ki) állásban van, (15. ábra)
2. Erősítse a tömlőt a pisztolyhoz a 16. sz. ábra szerint
3. Vegye le a védőborítást a kimeneti menetről (9. sz.), (17. ábra)
4. Csatlakoztassa a nagynyomású tömlőt a kimeneti menethez a 18. sz. ábra szerint




8. A tisztítószeres tartály csatlakoztatása

1. Csúsztassa be a tisztítószeres tartályt (16. sz.) a fúvófejbe (6. sz.) a 19. ábra szerint
2. A behelyezés után fordítsa el 90°-kal, amíg láthatóvá nem válik a rögzítővég




 **Megjegyzés:** A mosószert vízzel hígítani kell a minél jobb végeredmény érdekében.

 **FIGYELEM!** SOHA NE HASZNÁLJON OLYAN TERMÉKEKET, MELYEK FEHÉRÍTŐT, KLÓRT VAGY BÁRMILYEN MARÓ ANYAGOT TARTALMAYNAK, BELEÉRTVE AZ OLDÓSZERES FOLYADÉKOKAT IS (AZAZ GÁZOK, OLAJAK, STB.), NÁTRIUMFOSZFÁT, AMMÓNIA TARTALMÚ VAGY SAVALAPÚ TISZTÍTÓSZEREKET. EZEK A VEGYI ANYAGOK KÁROSÍTANÁK A KÉSZÜLÉKET ÉS AKÁR A TISZTÍTOTT FELÜLETET IS. MINDIG OLVASSA EL A CÍMKÉN FELTÚNTETETT INFORMÁCIÓKAT.

9. A felülettisztító felszerelése (21. sz.)

1. Kövesse az alábbi 20. ábrát
2. Helyezze be az U-csapot és hosszabbító toldalékot.

 **Megjegyzés:** Ügyeljen rá, hogy a tisztító alsó része az U-csap segítségével megfelelően legyen rögzítve a hosszabbító toldalékhoz.



10. Az autókefe csatlakoztatása (20. sz.)

1. Helyezze a fúvófej toldalékot (6. sz.) a kioldópisztolyba (1. sz.)
2. A behelyezés után fordítsa el 90°-kal, amíg láthatóvá nem válik a fúvóka vége (21. ábra)
3. Aztán tegye be a toldalékba (7. sz.) az autókefét (20. sz.). (21. ábra)



9. HASZNÁLATI UTASÍTÁSOK

**EZ A KÉSZÜLÉK CSAK HIDEG VÍZZEL HASZNÁLHATÓ!
SOHA NE HASZNÁLJA EZT A NAGNYOMÁSÚ TISZTÍTÓT FORRÓ VÍZZEL!**

Beindítás

Miután csatlakoztatta a nagynyomású tisztítót a hidegvíz-ellátáshoz, az alábbiak szerint járjon el:

- ✿ Győződjön meg róla, hogy az ON/OFF kapcsoló OFF (Ki) állásban van.
- ✿ Állítsa össze a gépet a 8. fejezet 1-4. sz. lépése szerint. Összeszerelési utasítások
- ✿ Csatlakoztassa a tömlőt a bemeneti szerelvényhez az összeszerelési utasítások 5. lépése szerint
- ✿ Állítsa össze a pisztolyt a 6. sz. lépés szerint, tegye be a kívánt fűvókát (variábilis vagy turbó), vagy a 8., 9., 10. lépésbeli tartozékokat a pisztolyba
- ✿ Csatlakoztassa a nagynyomású tömlőt az összeszerelési utasítás 7. lépése szerint.
- ✿ Nyissa ki teljesen a vízellátó szelepet.
- ✿ A készülék bekapcsolása előtt nyomja meg a pisztoly indítógombját a maradék levegő eltávolításához a szivattyúból és a tömlőből.
- ✿ Indítsa el a nagynyomású tisztítót úgy, hogy az ON/OFF kapcsolót az ON (bekapcs.) helyzetbe állítja, majd nyomja meg az indítógombot. **EMLÉKEZTETŐ:** A motor nem jár folyamatosan, csak ha az indítógomb le van nyomva.

FIGYELEM!

BEFECSKENDEZÉS VESZÉLYE! Az indítógomb megnyomásakor a készülék spriccelni kezd. Ha használat után kikapcsolja a készüléket, akkor is nagy nyomás lesz a tömlőben és a készülékben. Irányítsa a szórópisztolyt biztonságos irányba, és engedje ki a felesleges nyomást. SOHA ne irányítsa a nagynyomású vízugarat emberekre vagy állatokra.

Automatikus be-/kikapcsolás gomb

A nagynyomású tisztító automatikus kapcsolóval van felszerelve. A nagynyomású tisztító csak akkor indul el, ha a főkapcsoló ON (bekapcs) állásban van, és a pisztoly indítógombját megnyomják. Amikor elengedi az indítógombot, hogy leállítsa a pisztollyal szórt vízpermetet, a mosógép motorja automatikusan kikapcsol. A tisztító használatának folytatásához egyszerűen nyomja meg újra az indítógombot. A nagynyomású tisztító használatának leállításához engedje el az indítógombot, és fordítsa az egységet OFF (kikapcs) állásba. Kapcsolja ki teljesen (OFF) a készüléket, ha nem használja, vagy ha felügyelet nélkül van.

A pisztoly légtelenítése

Nagyon fontos, hogy a nagynyomású tisztító használata előtt légtelenítse a pisztolyt. A nagynyomású tisztító összeszerelési utasításait az „Összeszerelési útmutató” részben találja. A pisztoly légtelenítéséhez egyszerűen csatlakoztassa a kerti tömlőt a nagynyomású tisztítóhoz, és a tápellátás bekapcsolása előtt nyomja meg az indítógombot. Ez lehetővé teszi a nagynyomású tisztító és a pisztoly belsejében lévő levegő felszabadítását a készülék használata előtt. Tartsa lenyomva az indítógombot kb. egy percig, hogy a felesleges levegő kiszabaduljon az egységből. Ezen eljárás alatt a víz alacsony nyomáson áramlik a készülékben. A légtelenítéssel kapcsolatos további tippeket a „Kezelési útmutató” részben talál.

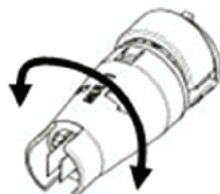
A pisztoly biztonsági zára

Ez a magasnyomású tisztító biztonsági pisztoly kioldó zárral van felszerelve. Ha a nagynyomású tisztítót nem használja, használja a biztonsági zárat, hogy megakadályozza a nagynyomású permetezés véletlen bekapcsolását.



Variábilis fúvófej

A variábilis fúvófej lehetővé teszi, hogy különféle permetezési mintákat alkalmazzon a teljes legyezős permetezéstől egyenes szóróáramig. Ha ezzel a nagynyomású tisztítóval fából készült padlókat, burkolatokat, járműveket stb. tisztít, mindig legalább 90 cm (36 ") távolságból kezdjen el legyezős permetezést használni, hogy elkerülje a tisztítandó anyag felületeinek károsodását. Mindig teszterület permetezésével kezdjen, ahol nincsenek más emberek vagy tárgyak.



⚠ FIGYELEM! A nagynyomású áram helytelen használatnál veszélyes lehet. Tilos a fúvócsövet emberekre, feszültség alatt álló elektromos berendezésekre vagy magára a készülékre irányítani.

⚠ FIGYELEM! Ne tegye ezt működés közben, hogy megakadályozza, hogy a keze eltalálja a fúvófejet.

☼ Ne irányítsa a fúvócsövet magára vagy másra ruha vagy cipő tisztítása miatt.

10. TISZTÍTÁS ÉS TÁROLÁS

A nagynyomású tisztító kikapcsolása

A NAGYNYOMÁSÚ TISZTÍTÓ HASZNÁLATA UTÁN TEGYE MEG A KÖVETKEZŐ LÉPÉSEKET A KÉSZÜLÉK KIKAPCSOLÁSÁHOZ:

- ✿ A nagynyomású tisztítót kapcsolja OFF (kikapcs) állásba.
- ✿ Zárja el a vízbemenetet.
- ✿ Mielőtt leválasztaná a nagynyomású tömlő csatlakozását, irányítsa a pisztolyt biztonságos irányba és engedje ki a nagynyomású vizet.
- ✿ Válassza le a nagynyomású tömlőt a nagynyomású tisztítóról és a pisztolyról.
- ✿ Válassza le a kerti tömlőt a nagynyomású tisztítóról.
- ✿ Távolítsa el a gyorscsatlakozó szerelvényt a kerti tömlőből, és tárolás céljából rögzítse a nyomásosóra szerelt csatlakozócsonkhoz.
- ✿ Távolítsa el a felesleges vizet a szivattyúból úgy, hogy a készüléket mindkét oldalon megdönti, hogy a maradék vizet kiöntse a be- és kimeneti szerelvényekből.
- ✿ Távolítsa el a vízellátó szűrőt és öblítse le vízzel a szennyeződések és törmelék eltávolításához. Tisztítás után tegye vissza a szűrőt.
- ✿ Engedje le a tisztítószer tartályt, és öblítse ki folyóvízzel.
- ✿ Törölje le a maradék vizet minden alkatrészről és szerelvényről.
- ✿ Aktiválja a pisztoly biztonsági zárát.
- ✿ Tárolja a nagynyomású tisztítót, alkatrészeit és tartozékait 0 °C (32 °F) feletti hőmérsékletű helyen.

KÖVESSE A FELÜL MEGJELENÍTETT UTASÍTÁSOKAT A KIKAPCSOLÁSHOZ ÉS A TOVÁBBI LÉPÉSEKET IS...

- ✿ A vízellátás leválasztása után és a nagynyomású tömlő leválasztása előtt **2–3 másodpercre** kapcsolja be a nagynyomású tisztítót, amíg a maradék vizet eltávolítja a szivattyúból.

AZONNAL KAPCSOLJA KI A KÉSZÜLÉKET. A NYOMÁSTISZTÍTÓ HASZNÁLATA CSATLAKOZTATOTT VÍZELLÁTÁS NÉLKÜL A KÉSZÜLÉK KOMOLY KÁROSODÁSÁT OKOZZA!

- ✿ Mindig tárolja a nagynyomású tisztítót, alkatrészeit és tartozékait 0 °C (32 °F) feletti hőmérsékletű helyen.

⚠ FIGYELEM!

HA FIGYELMEN KÍVÜL HADJA EYEKET A TÁROLÁSI UTASÍTÁSOKAT, A SZIVATTYÚ KÁROSODÁSÁT OKOZHATJA.

11. KARBANTARTÁS

- ✿ Ez a nagynyomású tisztító zárt kenőrendszerrel érkezik, így nem kell olajat adni hozzá.
- ✿ Használat előtt ellenőrizze, hogy az összes tömlő és tartozék nem sérült.
- ✿ Rendszeresen ellenőrizze, hogy a bemenő szűrőben nincs-e lerakódás. A maximális teljesítmény érdekében rendszeresen tisztítsa meg ezt a szűrőt.

TISZTÍTÁSI TIPPEK

FIGYELEM!

MIELŐTT A TISZTÍTÁNDÓ FELÜLETRE PERMETEZNE, TESZTELJE A PERMETEZÉST EMBEREK ÉS TÁRGYAK NÉLKÜLI TERÜLETEN.

Fa és vinil padlók

Öblítse le a padlót és a környezetét ivóvízzel. Ha tisztítószerrel használ, töltsse fel a tisztítószer tartályt, és alacsony nyomással vigye fel a tisztítandó területre. Az optimális eredmény érdekében ossza fel a munkaterületet kisebb részekre és fokozatosan tisztítsa meg őket. Hagyja a tisztítószer néhány percig a felületen hatni, majd nagy nyomással öblítse le a felületet. **NE HADJA RÁSZÁRADNI A TISZTÍTÓSZERT A FELÜLETRE.** A legjobb eredmény elérése érdekében mindig balról jobbra és felülről lefelé tisztítsa haladjon. Öblítse le nagy nyomással **legyezős permeterzővel** úgy, hogy a permeterző fúvócső hegyét legalább 15–22 cm-re (6–9 hüvelyk) tartja a tisztítandó felülettől. Közvetlen permeterzés esetén tartson nagyobb távolságot a tisztítandó területtől.

 **FIGYELEM!** Finomabb fa esetén növelje a távolságot a tisztítandó területtől.

Beton udvarok, kő és téglák

Öblítse le a tisztított felületet és a környezetét ivóvízzel. Ha tisztítószerrel használ, töltsse fel a tisztítószer tartályt, és alacsony nyomással vigye fel a tisztítandó területre. Öblítse le nagy nyomással **legyezős permeterzővel** úgy, hogy a permeterző fúvócső hegyét legalább 7–15 cm-re (3–6 hüvelyk) tartja a tisztítandó felülettől. Közvetlen permeterzés esetén tartson nagyobb távolságot a tisztítandó területtől.

Autók, hajók és motorkerékpárok

Öblítse le a tisztított felületet és a környezetét ivóvízzel. Ha tisztítószerrel használ, töltsse fel a tisztítószer tartályt, és alacsony nyomással vigye fel a tisztítandó területre. A legjobb eredmény elérése érdekében egyszerre csak az egyik oldalt tisztítsa. Hagyja a tisztítószer néhány percig hatni a felületen, de ne hagyja megszáradni. Öblítse le nagy nyomással **legyezős permeterzővel** úgy, hogy a permeterző fúvócső hegyét legalább 20 cm-re (8 hüvelyk) tartja a tisztítandó felülettől. Közvetlen permeterzés esetén tartson nagyobb távolságot a tisztítandó területtől. Csiszolt felület esetén törölje szárazra a felületet.

Grillsütők, elektromos berendezések és kerti szerszámok

Öblítse le a tisztított felületet és a környezetét ivóvízzel. Ha tisztítószerrel használ, töltsse fel a tisztítószer tartályt, és alacsony nyomással vigye fel a tisztítandó területre. Hagyja a tisztítószer néhány percig hatni a felületen, de ne hagyja megszáradni. Öblítse le nagy nyomással **legyezős permeterzővel** úgy, hogy a permeterző fúvócső hegyét legalább 2-7 cm-re (1-3 hüvelyk) tartja a tisztítandó felülettől. Közvetlen permeterzés esetén tartson nagyobb távolságot a tisztítandó területtől.

12. MŰSZAKI ADATOK

Névleges feszültség	230 - 240 V
Névleges frekvencia	50 Hz
Névleges fogyasztás	1650 W
Névleges nyomás	90 bar (9 MPa)
Maximális nyomás	135 bar (13,5 Mpa)
Névleges áramlás	5 l/min
Maximális áramlás	7 l/min
A vízellátás max. hőmérséklete	40°C
Védelmi osztály	II.
Súly	8,5 kg
Maximális vízbemeneti nyomás pascalban	1,2 MPa
Hangteljesítményszint (K = 3 dB (A)): L _{DA}	93 dB

JÓTÁLLÁS

A garanciális feltételeket lásd a mellékelt jótállási feltételekben.

KÖRNYEZET

Ha készülékét hosszú használat után ki kell cserélni, ne dobja a háztartási hulladékba, hanem környezetbarát módon ártalmatlanítsa.

13. MEGSEMMISÍTÉS



A szerszámot, újratölthető akkumulátorokat, tartozékokat és csomagolóanyagokat a környezetkímélő újrahasznosítás érdekében szét kell válogatni.

Az elektromos szerszámokat, akkumulátorokat és újratölthető akkumulátorokat ne dobja a háztartási hulladék közé!

Csak az Európai Unió országai esetében:



A 2012/19/EU európai irányelv szerint a már nem használt elektromos szerszámokat, és a 2006/66/EK európai irányelvnek megfelelően a hibás vagy használt akkumulátorokat külön kell összegyűjteni és környezetbarát módon megsemmisíteni.

A HASZNÁLT CSOMAGOLÓANYAGOKRA VONATKOZÓ MEGSEMMISÍTÉSI UTASÍTÁSOK ÉS TÁJÉKOZTATÓ

Az összes használt csomagolóanyagot a hulladékkezelő hatóság által kijelölt helyen adja le.

HASZNÁLT ELEKTROMOS ÉS ELEKTRONIKUS BERENDEZÉSEK MEGSEMMISÍTÉSE



Ez a jel a terméken vagy a kísérő dokumentációban azt jelzi, hogy a kiselejtezett elektromos és elektronikus berendezéseket nem szabad háztartási hulladék közé dobni. Vigye el őket az erre meghatározott gyűjtőudvarokba, ahol gondoskodnak helyes megsemmisítésükről, felújításukról vagy újrahasznosításukról. Az Európai Unió egyes országában vagy más európai országokban a termékek az eladóhelyen megfelelő új termék vásárlásánál visszaválthatók lehetnek. A termék megfelelő módon történő megsemmisítésével segít megőrizni az értékes természeti erőforrásokat, és hozzájárul a nem megfelelő hulladék-megsemmisítés által okozott esetleges negatív környezeti és egészségügyi hatások megelőzéséhez. További részletekért forduljon a helyi önkormányzathoz vagy a legközelebbi hulladék-megsemmisítő gyűjtőtelephez. Az ilyen típusú hulladék helytelen megsemmisítése esetén a vonatkozó nemzeti előírásoknak megfelelően bírságok szabhatók ki.

Az Európai Unió országaiiban működő vállalatok számára

Ha elektromos vagy elektronikus berendezést kíván megsemmisíteni, kérjen információt a termék eladójától vagy forgalmazójától.

Megsemmisítés Európai Unióon kívüli országokban

Ha ezt a terméket meg akarja semmisíteni, kérje a helyi hatóságoktól vagy a forgalmazótól a megsemmisítéssel kapcsolatos információkat.



Ez a termék teljesíti az EU valamennyi vonatkozó irányelvnek alapkövetelményeit.

A szövegben, kivételben és műszaki jellemzőkben előzetes figyelmeztetés nélkül változtatások történhetnek, és e változtatások jogát fenntartjuk.

Redeti nyelvű felhasználói kézikönyv.

Myjka wysokociśnieniowa

INSTRUKCJA OBSŁUGI

Dziękujemy za zakupienie myjki wysokociśnieniowej. Przed przystąpieniem do użytkowania należy dokładnie zapoznać się z niniejszą instrukcją i zachować ją do wglądu w przyszłości

SPIS TREŚCI

1. WAŻNE WSKAZÓWKI DOTYCZĄCE BEZPIECZEŃSTWA.....	94
2. WAŻNE ZALECENIA DOTYCZĄCE BEZPIECZEŃSTWA.....	94
3. OGÓLNE INFORMACJE DOTYCZĄCE BEZPIECZEŃSTWA	95
4. SYMBOLE.....	96
5. SERWIS URZĄDZEŃ Z PODWÓJNĄ IZOLACJĄ	98
6. STOSOWANIE PRZEDŁUŻACZY	98
7. PRAWIDŁOWE UŻYWANIE MYJKI CIŚNIENIOWEJ	99
8. OPIS URZĄDZENIA.....	100
9. WSKAZÓWKI DOTYCZĄCE MONTAŻU	101
9. ZALECENIA DOTYCZĄCE OBSŁUGI	108
10. CZYSZCZENIE I PRZECHOWYWANIE.....	110
11. KONSERWACJA.....	111
12. DANE TECHNICZNE	112
13. UTYLIZACJA	113
14. DEKLARACJA ZGODNOŚCI.....	113

1. WAŻNE WSKAZÓWKI DOTYCZĄCE BEZPIECZEŃSTWA

Nigdy nie kieruj dyszy wysokiego ciśnienia w stronę osób lub zwierząt.

Nigdy podczas użytkowania tej myjki wysokociśnieniowej nie pij alkoholu i nie zażywaj narkotyków.

Nigdy nie używaj tej myjki wysokociśnieniowej stojąc w wodzie.

Nigdy nie dotykaj wtyczki zasilania mokrymi rękami.

Nigdy nie dopuszczaj do tego, aby kabel elektryczny leżał w wodzie.

Nigdy nie używaj tej myjki wysokociśnieniowej bez podłączenia wody.

Nigdy nie używaj gorącej wody w tej myjce wysokociśnieniowej.

2. WAŻNE ZALECENIA DOTYCZĄCE BEZPIECZEŃSTWA

⚠ UWAGA! Podczas używania tego produktu należy przestrzegać podstawowych zasad bezpieczeństwa, w tym następujących:

1. Przed użyciem tego produktu przeczytaj wszystkie instrukcje. Zachowaj wskazówki bezpieczeństwa do późniejszego użytku.
2. Nie używaj tej myjki wysokociśnieniowej w warunkach zmęczenia lub pod wpływem alkoholu lub narkotyków.
3. Ryzyko wytryśnięcia lub powstania obrażeń – nie kieruj strumienia wody pod ciśnieniem na osoby lub zwierzęta.
4. Nie dopuść do użytku tej myjki wysokociśnieniowej przez dzieci.
5. Aby zminimalizować ryzyko, podczas użytkowania tej myjki wysokociśnieniowej w obecności dzieci należy zapewnić właściwy nadzór.
6. Naucz się, jak zatrzymywać urządzenie i jak natychmiast zmniejszyć ciśnienie. Naucz się biegle obsługi elementów sterujących.
7. Zachowaj ostrożność – przez cały czas kontroluj, w którą stronę skierowana jest dysza
8. Upewnij się, że inne osoby znajdują się poza obszarem mycia.
9. Przez cały czas utrzymuj stałą pozycję i równowagę – nie przeceniaj swoich sił i nie stawaj na niestabilnej powierzchni.
10. W przestrzeni roboczej powinien znajdować się odpowiedni odpływ, aby zmniejszyć ryzyko upadku na śliskiej powierzchni.
11. Przestrzegaj zaleceń dotyczących konserwacji podanych w niniejszej instrukcji.
12. Aby zapobiec porażeniu prądem elektrycznym upewnij się, że wszystkie połączenia są suche i nie leżą na ziemi. Nie dotykaj wtyczki mokrymi rękami.

3. OGÓLNE INFORMACJE DOTYCZĄCE BEZPIECZEŃSTWA

1. Urządzenie jest przeznaczone wyłącznie do użytku domowego.
2. W wyniku zużycia, nieprawidłowego użytkowania, zaplątania itd. w węży ciśnieniowym mogą pojawić się pęknięcia. Nie używaj uszkodzonego węża.
3. Nie używaj myjki wysokociśnieniowej w miejscach znajdujących się w pobliżu materiałów łatwopalnych, gazów łatwopalnych lub pyłu.
4. Niektóre środki chemiczne lub czyszczące mogą być szkodliwe po spożyciu lub wdychaniu i mogą spowodować poważne obrażenia. W razie zaistnienia ryzyka wdychania oparów, należy stosować maskę. Przeczytaj instrukcje dołączone do maski, aby upewnić się, że maska zapewnia odpowiednią ochronę przed wdychaniem szkodliwych oparów.
5. Przed uruchomieniem myjki ciśnieniowej przy chłodnej pogodzie skontroluj wszystkie elementy urządzenia i upewnij się, że nie jest ono oblodzone. Nie przechowuj tego urządzenia w miejscach, w których temperatura spada poniżej 0 °C (32 °F).
6. ZABRANIA SIĘ DOKONYWANIA MODYFIKACJI JAKIKOLWIEK ELEMENTÓW! NIGDY nie używaj urządzeń z uszkodzonymi lub brakującymi elementami, bez osłon lub pokrowców
7. Podczas zwiększania ciśnienia w układzie wąż wysokociśnieniowy powinien być podłączony do myjki wysokociśnieniowej i pistoletu natryskowego. Odłączanie węża podczas zwiększania ciśnienia w układzie jest niebezpieczne i może być przyczyną obrażeń.
8. Kiedy wyłącznik zasilania jest w pozycji włączonej (ON), nie pozostawiaj myjki ciśnieniowej bez nadzoru.
9. Nie kieruj strumienia wody na instalacje elektryczne, ponieważ może to spowodować śmiertelne porażenie prądem.

4. SYMBOLE

Etykiety na narzędziach i w instrukcji mogą zawierać symbole. Przedstawiają one ważne informacje dotyczące produktu lub instrukcje jego użycia.



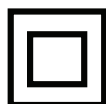
Ostrzeżenie! Nie kieruj pistoletu na osoby, zwierzęta, części ciała, źródła energii lub jakiegokolwiek urządzenia elektryczne



Urządzenie nie jest przeznaczone do podłączenia do instalacji wody pitnej



Zapoznaj się ze wskazówkami



Klasa ochrony II.



Niniejszy produkt jest produkowany zgodnie z zatwierdzonymi normami.



Nie wyrzucaj urządzeń elektronicznych do odpadu komunalnego



Używaj środków ochrony słuchu



Podczas używania tego produktu należy stosować okulary ochronne z osłoną boczną, a w razie potrzeby pełną osłonę twarzy.



Poziom mocy akustycznej

5. SERWIS URZĄDZEŃ Z PODWÓJNĄ IZOLACJĄ

W przypadku produktów z podwójną izolacją zamiast uziemienia dostępne są dwa układy izolacyjne. Produkt z podwójną izolacją nie ma żadnych elementów uziemiających, do takiego produktu nie należy też podłączać żadnego elementu uziemiającego. Serwis produktu z podwójną izolacją wymaga wyjątkowej ostrożności oraz znajomości systemu i powinien go wykonywać wyłącznie wykwalifikowany serwisant. Części zapasowe do produktu z podwójną izolacją muszą być identyczne jak części podlegające wymianie. Produkt z podwójną izolacją jest oznaczony słowami „DOUBLE INSULATION” (Podwójna izolacja) lub „DOUBLE INSULATED” (Podwójnie izolowany).

Na produkcie może się również znajdować taki  symbol.

6. STOSOWANIE PRZEDŁUŻACZY

NIE ZALECA SIĘ stosowania przedłużaczy z tym produktem. Jeżeli konieczne jest zastosowanie przedłużacza, należy stosować wyłącznie przedłużacz przeznaczony do użytku zewnętrznego. Takie przedłużacze oznaczone są napisem „ACCEPTABLE FOR USE WITH OUTDOOR APPLIANCES, STORE INDOORS WHILE NOT IN USE” (Przeznaczony do użytku z urządzeniami zewnętrznymi. Nieużywany produkt należy przechowywać w pomieszczeniu). Stosuj wyłącznie przedłużacze, których elektryczne parametry znamionowe są co najmniej takie same, jak parametry znamionowe produktu. Przed użyciem skontroluj przedłużacz. NIE UŻYWAJ USZKODZONYCH PRZEDŁUŻACZY! Nie odłączaj kabla z gniazdka ciągnąc za kabel – w każdym przypadku wyciągnij wtyczkę. Utrzymuj kabel z dala od źródeł ciepła i ostrych krawędzi. Przed odłączeniem produktu od przedłużacza odłącz przedłużacz z gniazdka.

⚠ UWAGA! Aby zapobiec porażeniu prądem elektrycznym upewnij się, że wszystkie połączenia są suche i nie leżą na ziemi. Nie dotykaj wtyczki mokrymi rękami.

- ✿ Nie używaj urządzenia, jeżeli uszkodzeniu uległ kabel zasilający lub istotne elementy urządzenia, takie jak bezpieczniki, węże wysokociśnieniowe i pistolet natryskowy.
- ✿ Jeżeli używasz przedłużacza, wtyczka i gniazdko muszą mieć wodoszczelną konstrukcję.

⚠ UWAGA! Nieodpowiednie przedłużacze mogą być niebezpieczne.

- ✿ Przed rozpoczęciem czyszczenia lub konserwacji, przed wymianą części lub przed zmianą funkcji urządzenia odłącz wtyczkę z gniazdka.

7. PRAWIDŁOWE UŻYWANIE MYJKI CIŚNIENIOWEJ

**URZĄDZENIE JEST PRZEZNACZONE WYŁĄCZNIE DO UŻYTKU Z ZIMNĄ WODĄ!
NIE UŻYWAJ GORĄCEJ WODY W TEJ MYJCE CIŚNIENIOWEJ.**

1. Używaj w tej myjce ciśnieniowej cieczy pod ciśnieniem, które nie przekracza ciśnienia znamionowego tej myjki. Nigdy nie używaj tej myjki wysokociśnieniowej bez doprowadzenia wody. Stosowanie urządzenia bez doprowadzenia wody powoduje trwałe uszkodzenie urządzenia.
2. Upewnij się, że źródło wody stosowanej w tej myjce ciśnieniowej nie było zanieczyszczone, nie zawierało piasku ani żadnych żrących chemikaliów. Stosowanie zanieczyszczonego źródła wody ma negatywny wpływ na trwałość tej myjki ciśnieniowej.
3. **⚠ UWAGA** – Myjka ciśnieniowa może być używana do różnych zastosowań, w tym mycia samochodów, łodzi, podwórek, pokładów, garaży itp. i wszędzie tam, gdzie do usunięcia zabrudzeń i okruchów niezbędne jest wysokie ciśnienie.

Strumień wody pod wysokim ciśnieniem może w przypadku niewłaściwego użycia uszkodzić czyszczoną powierzchnię! Zob. fragment pod nazwą „Zalecenia dotyczące obsługi”, w którym podano dalsze szczegóły. Natrysk należy najpierw przetestować na otwartym terenie.

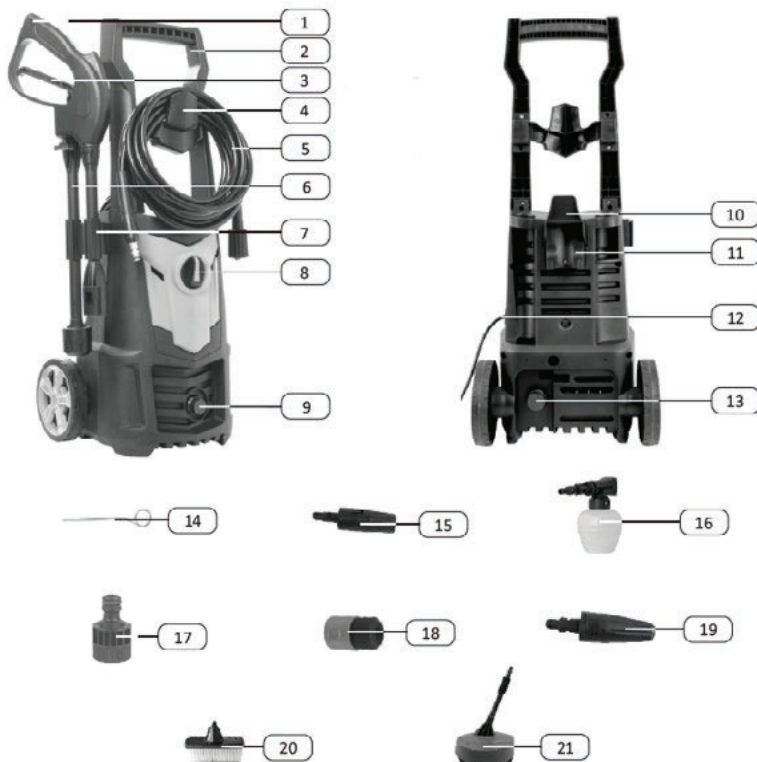
4. NIGDY nie przesuwaj urządzenia ciągnąc je za wąż wysokociśnieniowy. Stosuj w tym celu uchwyt, znajdujący się w górnej części urządzenia.
5. Zawsze trzymaj pistolet ciśnieniowy i lancę obiema rękami. Jedną rękę trzymaj na pistolecie/spuście, podpierając lancę drugą ręką (zob. rysunek).
6. Przy rozpylaniu środka czyszczącego na czyszczoną powierzchnię, aplikuj go wyłącznie pod niskim ciśnieniem. Po aplikacji środka czyszczącego usuń środek z obszaru roboczego przy pomocy natrysku regulowaną dyszą.

8. OPIS URZĄDZENIA

Wypakowanie

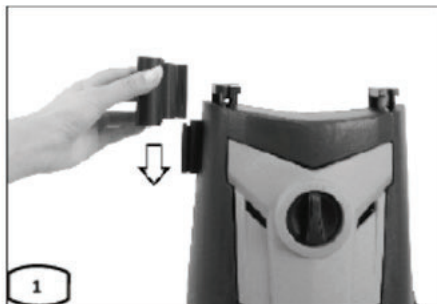
Po otwarciu pudełka wyjmij wszystkie elementy i sprawdź, czy zgadzają się z podaną poniżej listą komponentów w zestawie:

- | | |
|------------------------------------|--|
| 1. Pistolet natryskowy | 12. Kabel doprowadzający – 5 m |
| 2. Uchwyt | 13. Gwint wlotowy na końcówkę nr 17 |
| 3. Spust | 14. Igła do czyszczenia |
| 4. Uchwyt węża | 15. Dysza regulowana |
| 5. Wąż wysokociśnieniowy – 5 m | 16. Pojemnik na szampon |
| 6. Końcówka dysz | 17. Końcówka wlotowa z filtrem |
| 7. Uchwyt na pistolet natryskowy | 18. ½" Szybkozłączka do podłączenia węża |
| 8. Wylącznik | 19. Turbo dysza |
| 9. Gwint wylotowy | 20. Szczotka do mycia samochodu |
| 10. Uchwyt na kabel doprowadzający | 21. Myjka do powierzchni |
| 11. Uchwyt na pojemnik na szampon | |



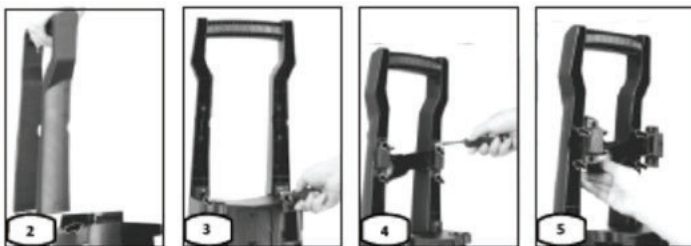
9. WSKAZÓWKI DOTYCZĄCE MONTAŻU

1. Mocowanie uchwytu na pistolet (nr 7) i wyposażenie (rys. 1 poniżej)



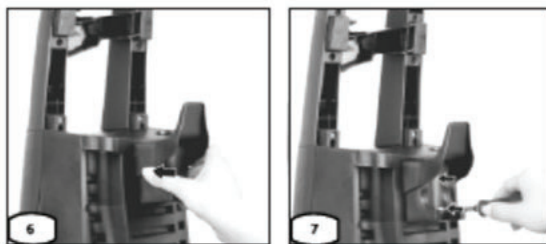
2. Mocowanie uchwytu i haka na węży

1. Załóż uchwyt na korpus maszyny (rys. 2) i przymocuj przy pomocy 2 śrub (rys. 3)
2. Zamontuj haczyk do węży i umocuj go śrubami (rys. 4, 5)




3. Mocowanie uchwytu na kabel i pojemnika na szampon


1. Przyłóż hak do korpusu maszyny i przymocuj go przy pomocy śrub (rys. 6, 7)



4. Instalacja końcówki wejściowej z filtrem

1. Najpierw zdejmij osłonę ochronną z gwintu wlotowego (rys. 8)
2. Następnie przykręć na gwint końcówkę z filtrem (rys. 9, 10)

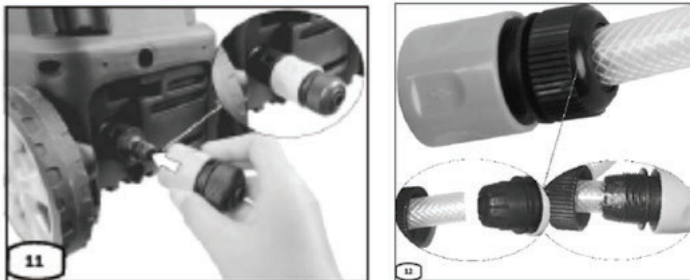
 **Uwaga:** Filtr wejściowy należy zamontować na dopływie wody, aby odfiltrował piasek, kamień i inne zanieczyszczenia, które mogłyby uszkodzić zawory pompy.

 **UWAGA!** Niezamontowanie filtra powoduje utratę gwarancji.



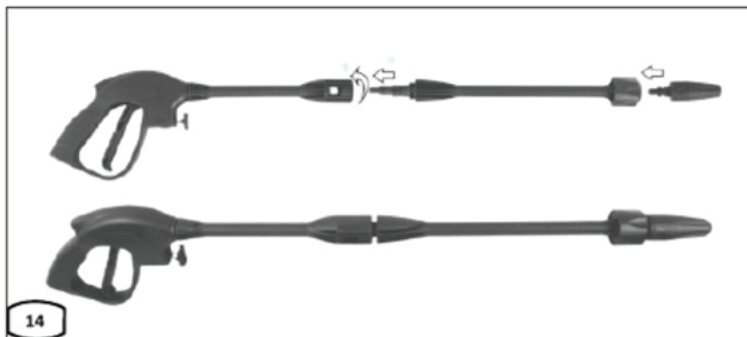
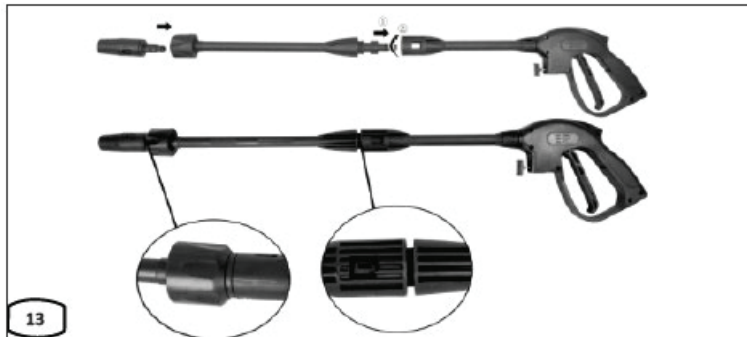
5. Podłączenie węża o średnicy 1/2" i szybkozłączki

1. Podłącz wąż ogrodowy 1/2" na standardową szybkozłączkę zgodnie z rys. 12 (szybkozłączka jest w zestawie nr 18)
2. Następnie wsuń szybkozłączkę (18) na końcówkę wlotową (17), usłyszysz zatrzaśnięcie, co oznacza, że instalacja zakończyła się powodzeniem. W przeciwnym razie może w tym miejscu dojść do wycieku wody.



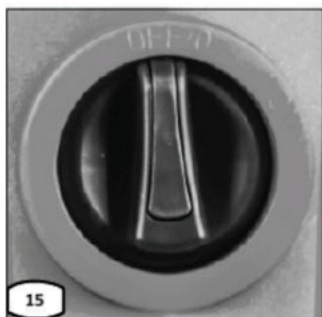
6. Montaż pistoletu natryskowego

1. Wsuń końcówkę dysz (6) do pistoletu natryskowego (1)
2. Po jej włożeniu obróć ją o 90°, aż pojawi się końcówka blokująca dyszy (rys. 13, 14)
3. Następnie włóż do końcówki (7) odpowiednią dyszę. (rys. 13, 14)



7. Montaż węża wysokociśnieniowego


1. Upewnij się, że wyłącznik ON/OFF znajduje się w pozycji OFF (Wyłączono), (rys. 15)
2. Przymocuj wąż do pistoletu zgodnie z rysunkiem 16
3. Zdejmij osłonę ochronną z gwintu wylotowego (9), (rys. 17)
4. Podłącz wąż wysokociśnieniowy do złączki wlotowej zgodnie z rysunkiem 18




8. Podłączenie pojemnika na szampon

1. Wsuń pojemnik na szampon (16) do końcówki dysz (6) zgodnie z rysunkiem 19
2. Po włożeniu obróć go o 90°, aż pojawi się końcówka blokująca




 **Uwaga:** Środek piorący należy rozrzedzać wodą, aby osiągnąć najlepsze rezultaty.

 **UWAGA!** NIE UŻYWAJ PRODUKTÓW Z WYBIELACZAMI, CHLOREM LUB INNYMI SUBSTANCJAMI ŻRĄCYMI ORAZ PŁYNÓW ZAWIERAJĄCYCH ROZPUSZCZALNIKI (TJ. GAZY, OLEJE ITP.), PRODUKTÓW Z FOSFORANEM SODU, AMONIAKIEM LUB DETERGENTAMI NA BAZIE KWASÓW. TAKIE ŚRODKI CHEMICZNE MOGĄ USZKODZIĆ URZĄDZENIE I SPOWODOWAĆ USZKODZENIE CZYSZCZONEJ POWIERZCHNI. ZAWSZE CZYTAJ INFORMACJE NA ETYKIETACH.

9. Montaż myjki do powierzchni (21)

1. Postępuj zgodnie z rysunkiem 20 poniżej
2. Włóż element blokujący w kształcie litery U i przymocuj nasadkę przedłużającą.

 **Uwaga:** Upewnij się, że spodnia część myjki jest dobrze przymocowana do nasadki przedłużającej przy pomocy elementu blokującego.



10. Podłączenie szczotki do mycia samochodu (20)

1. Wsuń końcówkę dysz (6) do pistoletu natryskowego (1)
2. Po jej włożeniu obróć ją o 90°, aż pojawi się końcówka blokująca dyszy (rys. 21)
3. Następnie włóż do końcówki (7) szczotkę do mycia samochodu (20). (rys. 21)



9. ZALECENIA DOTYCZĄCE OBSŁUGI

**URZĄDZENIE JEST PRZEZNACZONE WYŁĄCZNIE DO UŻYTKU Z ZIMNĄ WODĄ!
NIE UŻYWAJ GORĄCEJ WODY W TEJ MYJCE CIŚNIENIOWEJ!**

Włączanie

Po podłączeniu myjki ciśnieniowej do przyłącza zimnej wody postępuj następująco:

- ✿ Upewnij się, że wyłącznik ON/OFF znajduje się w pozycji OFF (Wyłączono).
- ✿ Zmontuj maszynę według kroków od 1 do 4 z rozdziału 8. Wskazówki dotyczące montażu
- ✿ Podłącz wąż do złączki wlotowej zgodnie z krokiem 5 instrukcji montażu
- ✿ Zmontuj pistolet zgodnie z krokiem 6 i włóż pożądaną dyszę (regulowaną lub turbo) lub wyposażenie z kroku 8, 9, 10 do pistoletu
- ✿ Podłącz wąż wysokociśnieniowy zgodnie z krokiem 7 instrukcji montażu.
- ✿ Odkręć całkowicie zawór dopływu wody.
- ✿ Przed włączeniem urządzenia naciśnij spust pistoletu, aby usunąć pozostałe powietrze z pompy i węża.
- ✿ Uruchom myjkę ciśnieniową przelączając wyłącznik on/off w pozycję on (włączono) i naciśnij spust.

PAMIĘTAJ: Silnik nie pracuje nieprzerwanie, tylko przy naciśniętym spuście.

UWAGA!

RYZYKO WYTRYŚNIĘCIA! Po naciśnięciu spustu urządzenie rozpocznie spryskiwanie. Jeżeli po zakończeniu użycia wyłączysz urządzenie, wewnątrz węża i urządzenia wciąż będzie wysokie ciśnienie. Skieruj pistolet w bezpiecznym kierunku i zredukuj nadmiar ciśnienia. NIGDY nie kieruj strumienia wody pod ciśnieniem na osoby lub zwierzęta.

Automatyczne włączanie/wyłączanie

Myjka ciśnieniowa jest wyposażona w automatyczny wyłącznik. Myjka ciśnieniowa uruchomi się wyłącznie wtedy, gdy wyłącznik zasilania znajduje się w pozycji ON (Włączono) i naciśnięto spust pistoletu. Po zwolnieniu spustu w celu zatrzymania natrysku przy pomocy pistoletu, silnik myjki ciśnieniowej automatycznie się wyłączy. Aby kontynuować używanie myjki po prostu ponownie naciśnij spust. Aby zakończyć używanie myjki ciśnieniowej zwolnij spust i przelącz urządzenie w pozycję OFF (Wyłączono). W czasie, gdy urządzenie nie jest używane lub kiedy pozostaje bez nadzoru, należy je wyłączyć (OFF).

Odpowietrzenie pistoletu

Bardzo ważne przed użyciem tej myjki ciśnieniowej jest odpowietrzenie pistoletu. Instrukcja montażu myjki ciśnieniowej znajduje się w części „Instrukcja montażu”. Aby odpowietrzyć pistolet, po prostu podłącz wąż ogrodowy do myjki ciśnieniowej i naciśnij spust PRZED włączeniem zasilania. Pozwala to na opróżnienie myjki i pistoletu z pozostałego w nich powietrza przed użyciem urządzenia. Przytrzymaj spust przez okres około jednej minuty, aby opróżnić urządzenie z powietrza. Podczas tej procedury przez urządzenie będzie przepływać woda pod niskim ciśnieniem. Inne wskazówki dotyczące odpowietrzenia znajdują się w części „Zalecenia dotyczące obsługi”.

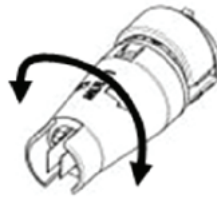
Blokada pistoletu

Myjka ciśnieniowa jest wyposażona w blokadę spustu pistoletu. Jeżeli myjka ciśnieniowa nie jest używana, skorzystaj z blokady aby uniknąć przypadkowego włączenia natrysku pod wysokim ciśnieniem.



Dysza regulowana

Regulowana dysza pozwala na stosowanie różnych wzorów natrysku pod pełnego natrysku wachlarzowego aż do bezpośredniego strumienia wody. Podczas stosowania tej myjki wysokociśnieniowej do czyszczenia drewnianych pokładów, płytek, samochodów itp. zacznij od natrysku wachlarzowego z odległości co najmniej 90 cm (36"), aby zapobiec uszkodzeniu powierzchni czyszczonego materiału. Zawsze zacznij od natrysku na obszar testowy, gdzie nie ma innych osób ani przedmiotów.



⚠ UWAGA! Woda pod wysokim ciśnieniem może być niebezpieczna w przypadku nieprawidłowego użycia. Zabrania się kierowania dyszy na osoby, urządzenia elektryczne pod napięciem lub samo urządzenie.

⚠ UWAGA! Nie wykonuj tego podczas pracy, aby nie dopuścić do kontaktu dłoni z dyszą.

✿ Nie kieruj dyszy na siebie ani inne osoby w celu oczyszczenia odzieży lub obuwia.

10. CZYSZCZENIE I PRZECHOWYWANIE

Wyłączenie myjki wysokociśnieniowej

PO ZAKOŃCZENIU UŻYCIA MYJKI CIŚNIENIOWEJ WYKONAJ NASTĘPUJĄCE KROKI W CELU WYŁĄCZENIA URZĄDZENIA:

- ☼ Przełącz myjkę ciśnieniową w pozycję OFF (Wyłączono).
- ☼ Zakręć dopływ wody.
- ☼ Przed odłączeniem węża wysokociśnieniowego skieruj pistolet w bezpiecznym kierunku i wypuść wodę pod ciśnieniem.
- ☼ Odtłącz wąż wysokociśnieniowy od myjki i pistoletu.
- ☼ Odtłącz wąż ogrodowy od myjki.
- ☼ Zdejmij z węża ogrodowego szybkozłączkę i przymocuj ją do tulei kształtki zainstalowanej na myjce na czas przechowywania.
- ☼ Usuń z pompy nadmiar wody przechylając urządzenie w obie strony aby wylać pozostałą wodę ze złątzek wlotowych i wylotowych.
- ☼ Wyjmij filtr doprowadzenia wody i przepłucz go wodą aby usunąć zanieczyszczenia i okruchy.
Po oczyszczeniu włóż filtr z powrotem.
- ☼ Opróżnij zbiorniczek na środek czyszczący i przepłucz go bieżącą wodą.
- ☼ Zetrzyj wszelką wodę pozostałą na elementach i kształtkach.
- ☼ Aktywuj blokadę pistoletu.
- ☼ Przechowuj myjkę ciśnieniową, elementy i akcesoria w miejscu o temperaturze powyżej 0°C (32°F).

ZASTOSUJ SIĘ DO WSZYSTKICH POWYŻSZYCH POLECEŃ DOTYCZĄCYCH WYŁĄCZENIA, A DODATKOWO WYKONAJ NASTĘPUJĄCE KROKI...

- ☼ Po odłączeniu dopływu wody i przed odłączeniem węża wysokociśnieniowego włącz myjkę ciśnieniową na **2-3 sekundy**, aż do usunięcia z pompy wszelkie pozostałej wody.

NATYCHMIAST WYŁĄCZ URZĄDZENIE. KONTYNUOWANIE UŻYWANIA MYJKI CIŚNIENIOWEJ BEZ PODŁĄCZONEGO ŹRÓDŁA WODY MOŻE SPOWODOWAĆ POWAŻNE USZKODZENIE URZĄDZENIA!

- ☼ Przechowuj myjkę ciśnieniową, elementy i akcesoria w miejscu o temperaturze powyżej 0°C (32°F).

⚠ UWAGA!

W PRZYPADKU NIEPRZESTRZEGANIA ZALECEŃ PRZECHOWYWANIA MOŻE DOJŚĆ DO USZKODZENIA POMPY.

11. KONSERWACJA

- ✿ Myjka ciśnieniowa jest wyposażona w zamknięty system smarowania, dlatego nie ma potrzeby dolewania oleju.
- ✿ Przed użyciem sprawdź, czy żaden wąż i elementy nie są uszkodzone.
- ✿ Regularnie sprawdzaj osady na filtrze wejściowym. Regularnie czyść ten filtr aby zapewnić maksymalną wydajność.

WSKAZÓWKI DOTYCZĄCE CZYSZCZENIA

⚠ UWAGA!

PRZED NATRYSIEM NA CZYSZCZONĄ POWIERZCHNIĘ SPRAWDŹ NATRYSK W MIEJSCU, W KTÓRYM NIE ZNAJDUJĄ SIĘ ŻADNE OSOBY ANI PRZEDMIOTY.

Pokłady drewniane i winylowe

Splucz pokład i sąsiadujące powierzchnie pitną wodą. Jeżeli używasz środka czyszczącego, napełnij zbiorniczek środkiem i aplikuj go pod niskim ciśnieniem na czyszczoną powierzchnię. Aby uzyskać optymalny efekt podziel powierzchnię na mniejsze części i myj je kolejno. Pozostaw środek czyszczący przez kilka minut na czyszczonej powierzchni a następnie splucz ją pod wysokim ciśnieniem. **NIE DOPUŚĆ DO WYSCHNIĘCIA ŚRODKA CZYSZCZĄCEGO.** Aby uzyskać najlepszy efekt myj od lewej do prawej i z góry na dół. Splucz pod wysokim ciśnieniem **natryskiem wachlarzowym**, trzymając końcówkę dyszy natryskowej w odległości co najmniej 15-22 cm (6-9 in) od czyszczonej powierzchni. Przy użyciu natrysku bezpośredniego utrzymuj większą odległość od czyszczonej powierzchni.

⚠ UWAGA! Podczas mycia delikatniejszych gatunków drewna, zwiększ odległość od czyszczonej powierzchni.

Betonowe podwórze, kamień i cegła

Splucz czyszczone miejsce i sąsiadujące powierzchnie pitną wodą. Jeżeli używasz środka czyszczącego, napełnij zbiorniczek środkiem i aplikuj go pod niskim ciśnieniem na czyszczoną powierzchnię. Splucz pod wysokim ciśnieniem **natryskiem wachlarzowym**, poruszając wahadłowo końcówkę dyszy natryskowej w odległości co najmniej 7-15 cm (3-6 in) od czyszczonej powierzchni. Przy użyciu natrysku bezpośredniego utrzymuj większą odległość od czyszczonej powierzchni.

Samochody, łodzie i motocykle

Splucz czyszczone miejsce i sąsiadujące powierzchnie pitną wodą. Jeżeli używasz środka czyszczącego, napełnij zbiorniczek środkiem i aplikuj go pod niskim ciśnieniem na czyszczoną powierzchnię. Aby uzyskać najlepszy efekt myj jednocześnie tylko jedną stronę. Pozostaw środek czyszczący przez kilka minut na powierzchni, ale nie pozwól mu zaschnąć. Splucz pod wysokim ciśnieniem **natryskiem wachlarzowym**, poruszając wahadłowo końcówkę dyszy natryskowej w odległości co najmniej 20 cm (8 in) od czyszczonej powierzchni. Przy użyciu natrysku bezpośredniego utrzymuj większą odległość od czyszczonej powierzchni. Powierzchnie polerowane należy wytrzeć do sucha.

Grille, urządzenia energetyczne i narzędzia ogrodowe

Splucz czyszczone miejsce i sąsiadujące powierzchnie pitną wodą. Jeżeli używasz środka czyszczącego, napełnij zbiorniczek środkiem i aplikuj go pod niskim ciśnieniem na czyszczoną powierzchnię. Pozostaw środek czyszczący przez kilka minut na powierzchni, ale nie pozwól mu zaschnąć. Splucz pod wysokim ciśnieniem **natryskiem wachlarzowym**, trzymając końcówkę dyszy natryskowej w odległości co najmniej 2-7 cm (1-3 in) od czyszczonej powierzchni. Przy użyciu natrysku bezpośredniego utrzymuj większą odległość od czyszczonej powierzchni.

12. DANE TECHNICZNE

Napięcie znamionowe	230 – 240 V
Częstotliwość znamionowa	50 Hz
Moc znamionowa	1650 W
Ciśnienie znamionowe	90 bar (9 MPa)
Ciśnienie maksymalne	135 bar (13,5 MPa)
Przepływ nominalny	5 l/min
Przepływ maksymalny	7 l/min
Maks. temperatura dopływu wody	40 °C
Stopień ochrony	II.
Masa	8,5 Kg
Maksymalne ciśnienie dopływu wody w paskalach	1,2 Mpa
Poziom mocy akustycznej (K = 3 dB (A)): L _{pA}	93 dB

GWARANCJA

Zob. załączone warunki gwarancji, w których znajdują się wszystkie szczegóły.

ŚRODOWISKO NATURALNE

Jeżeli po dłuższym okresie użytkowania konieczna jest wymiana urządzenia, nie wolno wyrzucać go z odpadami komunalnymi, ale zutylizować w sposób ekologiczny.

13. UTYLIZACJA



Narzędzie, akumulator, akcesoria i opakowania należy poddać sortowaniu, aby zapewnić ich ekologiczną utylizację.

Nie wyrzucaj narzędzi elektrycznych i baterii lub akumulatorów do odpadów komunalnych!

Wyłącznie dla krajów Unii Europejskiej:



Zgodnie z europejską dyrektywą 2012/19/UE narzędzia elektryczne, które nie są już używane, a zgodnie z europejską dyrektywą 2006/66/WE, uszkodzone lub zużyte zestawy baterii/akumulatorów należy zbierać oddzielnie i utylizować w sposób nieszkodliwy dla środowiska.

WSKAZÓWKI I INFORMACJE DOTYCZĄCE UTYLIZACJI ZUŻYTYCH OPAKOWAŃ

Wszelkie zużyte opakowania należy przekazać do miejsca określonego przez lokalny urząd zajmujący się utylizacją odpadów.

UTYLIZACJA ZUŻYTYCH URZĄDZEŃ ELEKTRYCZNYCH I ELEKTRONICZNYCH



Ten symbol umieszczony na produktach lub w załączonej dokumentacji oznacza, że zużyte urządzenia elektryczne i elektroniczne nie mogą być wyrzucane do odpadów komunalnych. Przekaż te produkty do właściwego punktu zbiórki odpadów, gdzie zostanie przeprowadzona ich prawidłowa utylizacja, renowacja lub recykling. W niektórych krajach Unii Europejskiej lub w niektórych państwach europejskich przy zakupie nowego podobnego produktu można dokonać zwrotu zużytego produktu lokalnemu sprzedawcy. Przez prawidłową utylizację tego produktu przyczyniasz się do ochrony cennych zasobów naturalnych i zapobiegasz ewentualnemu negatywnemu wpływowi odpadów na środowisko naturalne i zdrowie ludzkie, do którego mogłoby dojść w wyniku nieprawidłowej utylizacji odpadu. Szczegółowych informacji udzielą lokalne urzędy lub najbliższy punkt zbiórki odpadów. Nieprawidłowa utylizacja tego rodzaju odpadów może podlegać karom pieniężnym zgodnie z obowiązującymi przepisami krajowymi.

Dla firm, które działają w krajach Unii Europejskiej

Jeśli chcesz zutylizować urządzenia elektryczne lub elektroniczne, zasięgnij informacji u swego sprzedawcy lub dostawcy.

Utylizacja wyrobu w krajach poza Unią Europejską

Jeżeli chcesz zutylizować ten produkt, zasięgnij niezbędnych informacji w lokalnych urzędach lub u sprzedawcy.



Produkt spełnia wszelkie podstawowe wymagania wszystkich właściwych dyrektyw UE.

Tekst, design i specyfikacje techniczne mogą ulec zmianie bez uprzedzenia. Zastrzegamy sobie prawo do dokonania tych zmian.

Instrukcja obsługi w języku oryginalnym.



Model /Modell /Modelis:

**Záruční list / Záručný list /
Warranty Certificate / Jótállási jegy /
Garantijos taisyklės / Karta Gwarancyjna**

Výrobní číslo
Výrobné číslo
Serial No.
Szériaszám
Serijos Nr.
Numer seryjny

Razítko a podpis prodejce
Pečiatka a podpis predajcu
Dealer's stamp
A kereskedő bélyegzője
Pardavėjo antspaudas
Pieczętka i podpis sklepu

Datum prodeje
Dátum predaja
Date of purchase
A vásárlás dátuma
Pardavimo data
Data zakupu

Záruční podmínky

Prodávající poskytuje kupujícímu na výrobek záruku v trvání 24 měsíců od převzetí výrobku kupujícím. Záruka se poskytuje za dále uvedených podmínek. Záruka se vztahuje pouze na nové spotřební zboží prodané spotřebiteli pro běžné domácí použití. Práva z odpovědnosti za vady (reklamaci) může kupující uplatnit buď u prodávajícího, u kterého byl výrobek zakoupen nebo v níže uvedeném autorizovaném servisu. Kupující je povinen reklamaci uplatnit bez zbytečného odkladu, aby nedocházelo ke zhoršení vady, nejpozději však do konce záruční doby. Kupující je povinen poskytnout při reklamaci součinnost nutnou pro ověření existence reklamované vady. Do reklamačního řízení se přijímá pouze kompletní a z důvodů dodržení hygienických předpisů neznečištěný výrobek. V případě oprávněné reklamace se záruční doba prodlužuje o dobu od okamžiku uplatnění reklamace do okamžiku převzetí opraveného výrobku kupujícím nebo okamžiku, kdy je kupující po skončení opravy povinen výrobek převzít. Kupující je povinen prokázat své práva reklamovat (doklad o zakoupení výrobku, záruční list, doklad o uvedení výrobku do provozu...).

Záruka se nevztahuje zejména na:

■ vady, na které byla poskytnuta sleva ■ opotřebení a poškození vzniklé běžným užíváním výrobku ■ poškození výrobku v důsledku neodborné či nesprávné instalace, použití výrobku v rozporu s návodem k použití, platnými právními předpisy a obecně známými a obvyklými způsoby používání, v důsledku použití výrobku k jinému účelu, než ke kterému je určen ■ poškození výrobku v důsledku zanedbané nebo nesprávné údržby ■ poškození výrobku způsobené jeho znečištěním, nehodou a zásahem vyšší moci (živelná událost, požár, vniknutí vody...) ■ vady funkčnosti výrobku způsobené nevhodnou kvalitou signálu, rušivým elektromagnetickým polem apod. ■ mechanické poškození výrobku (např. ulomení knoflíku, pád...) ■ poškození způsobené použitím nevhodných médií, náplní, spotřebního materiálu (baterie) nebo nevhodnými provozními podmínkami (např. vysoké okolní teploty, vysoká vlhkost prostředí, otrasy...) ■ poškození, úpravu nebo jiný zásah do výrobku provedený neoprávněnou nebo neautorizovanou osobou (servisem) ■ případy, kdy kupující při reklamaci neprokáže oprávněnost svých práv (kdy a kde reklamovaný výrobek zakoupil) ■ případy, kdy se údaje v předložených dokladech liší od údajů uvedených na výrobku ■ případy, kdy reklamovaný výrobek nelze ztotožnit s výrobkem uvedeným v dokladech, kterými kupující prokazuje své ■ práva reklamovat (např. poškození výrobního čísla nebo záruční plomba přístroje, prepisované údaje v dokladech...)

Záručné podmienky

Predávajúci poskytuje kupujúcemu na výrobok 24 mesiacov záruku od jeho prevzatia kupujúcim. Záruka sa poskytuje ďalej za nižšie uvedených podmienok. Záruka sa vztahuje iba na spotrebný tovar predaný spotrebiteľovi na bežné domáce použitie. Práva zo zodpovednosti za chyby (reklamácie) môže kupujúci uplatniť buď u predávajúceho, u ktorého bol výrobok zakúpený alebo v nižšie uvedenom autorizovanom servise. Kupujúci je povinný reklamáciu uplatniť bez zbytočného odkladu, aby nedochádzalo ku zhoršeniu chyby, najneskôr však do konca záručnej doby. Kupujúci je povinný pri reklamacii spolupracovať pri overení existencie reklamovanej chyby. Do reklamačného procesu sa prijíma iba kompletný a z dôvodu dodržania hygienických predpisov neznečistený výrobok. V prípade oprávnenej reklamácie sa záručná doba predlžuje o dobu od okamžiku uplatnenia reklamácie do okamžiku prevzatia opraveného výrobku kupujúcim, kedy je kupujúci po skončení opravy povinný výrobok prevziať. Kupujúci je povinný preukázať svoje práva reklamovať (doklad o zakúpení výrobku, záruční list, doklad o uvedení výrobku do prevádzky...).

Záruka sa nevztahuje na:

■ chyby, na ktoré boli poskytnuté zľavy ■ opotrebenia a poškodenia vzniknuté bežným užívaním výrobku ■ poškodenie výrobku v dôsledku neodbornej či nesprávnej inštalácie, použitie výrobku v rozpore s návodom na použitie s platnými právnymi predpismi a všeobecne známymi a obvyklými spôsobmi používania, v dôsledku použitia výrobku za iným účelom, než na ktorý je určený ■ poškodenie výrobku v dôsledku zanedbanej alebo nesprávnej údržby ■ poškodenie výrobku spôsobené jeho znečistením, nehodou a zásahom vyššej moci (živelná udalosť, požiar, vniknutievody...) ■ chyby funkčnosti výrobku spôsobené nevhodnou kvalitou signálu, rušivým elektromagnetickým polom a pod. ■ mechanické poškodenie výrobku (napr. zlomenie gombíka, pád...) ■ poškodenie spôsobené použitím nevhodných médií, náplní, spotrebného materiálu (baterie) alebo nevhodnými prevádzkovými podmienkami (napr. vysoké teploty v okolí, vysoká vlhkosť prostredia, otrasy...) ■ poškodenie, úpravu alebo iný zásah do výrobku spôsobený neoprávnenou alebo neautorizovanou osobou (servisom) prípady, keď kupujúci pri reklamacii nepreukáže oprávnenosť svojich práv (kedy a kde reklamovaný výrobok zakúpil) ■ prípady, keď sa údaje v predložených dokladoch líšia od údajov uvedených na výrobku ■ prípady, keď reklamovaný výrobok sa neshoduje s výrobkom uvedeným v dokladoch, ktorými kupujúci preukazuje svoje práva reklamovať (napr. poškodenie výrobného čísla alebo záruční plomby prístroja, prepisované údajov dokladov...)

Conditions of guarantee

This product is warranted for the period of 24 months from the date of purchase to the end-user. Warranty is limited to the following conditions. Warranty is referred only to the customer goods using for common domestic use. The claim for service can be applied either at dealer's shop where the product was bought, or at below mentioned authorized service shops. The end-user is obligated to set up a claim immediately when the defects appeared but only till the end of warranty period. The end-user is obligated to cooperate to certify the claiming defects. Only completed and clean (according to hygienic standards) product will be accepted. In case of eligible warranty claim the warranty period will be prolonged by the period from the date of claim application till the date of taking over the product by end-user, or the date the end-user is obligated to take it over. To obtain the service under this warranty, end-user is obligated to certify his claim with duly completed following documents: receipt, certificate of warranty, certificate of installation...

This warranty is void especially if apply as follows:

■ Defects which were put on sale. ■ Wear-out or damage caused by common use. ■ The product was damaged by unprofessional or wrong installation, used in contrary to the applicable instruction manual, used in contrary to legal enactment and common process of use or used for another purpose which has been designed for. ■ The product was damaged by uncareful or insufficient maintenance. ■ The product was damaged by dirt, accident of force majeure (natural disaster, fire, flood, ...). ■ Defects on functionality caused by low quality of signal, electromagnetic field interference etc. ■ The product was mechanically damaged (e.g. broken button, fall...). ■ Damage caused by use of unsuitable media, fillings, expendable supplies (batteries) or by unsuitable working conditions (e.g. high temperatures, high humidity, quakes,...). ■ Repair, modification or other failure action to the product by unauthorized person. ■ End-user did not prove enough his right to claim (time and place of purchase). ■ Data on presented documents differs from data on products. ■ Cases when the claiming product can not be identified according to the presented documents (e.g. the serial number or the warranty seal has been damaged).

Autorizovaná servisní střediska / Autorizované servisné strediská / Authorized service centres

FAST ČR, a. s.
U Sanitasu 1621 CZ
251 01 Říčany
Česká republika
Tel.: +420/ 323 204 120
Fax: +420/ 323 204 121
servis.praha@fastcr.cz
www.fastcr.cz

FAST ČR, a. s.
Cejl 31
CZ 602 00 Brno
Česká republika
Tel.: +420/ 531 010 295
Fax: +420/ 531 010 296
servis.brno@fastcr.cz
www.fastcr.cz

Fast Plus, a. s.
Na Pántoch 18
SK 831 06 Bratislava
Slovenská republika
Tel.: +421/ 249 105 811
Fax: +421/ 249 105 810
fastplus@fastplus.sk
www.fastplus.sk

Jótállási jegy

■ A termék gyártója: FAST ČR, a.s. (U Sanitazu 1621, Řičany u Prahy 251 01, Csehország)

■ A FAST Hungary Kft. (2310 Szigetszentmiklós, Kántor út 10.) mint a termék magyarországi importőre a jótállási jegyben feltüntetett típusú és gyártási számú készülékek jótállást biztosít a fogyasztók számára az alábbi feltételek szerint:

■ A FAST Hungary Kft. a termékre a fogyasztó részére történő átadásától (vásárlástól), illetve ha az üzembe helyezést a terméket értékesítő vállalkozás vagy annak megbízottja végzi, az üzembe helyezéstől számított 24 hónapig, míg 250.000,- Ft eladási ár felett 36 hónapig tartó időtartamra vállal jótállást. Ha a terméket a fogyasztó az átadásától számított fél éven belül helyezeti üzembe, akkor a jótállási határidő a termék átadásától kezdődik. A termék alkotórészeire és tartozékaira (pl. alkalmazó) a jótállási idő a termék átadásától számított 12 hónap.

■ A jótállási igény a jótállási jeggyel, az átadástól (ha releváns az üzembe helyezéstől) számított (i) 1 évig - 100.000,- Ft eladási árát meg nem haladó termék esetén; (ii) 2 évig - 250.000,- Ft eladási árát meg nem haladó termék esetén; (iii) 3 évig - 250.000,- Ft eladási árát meghaladó termék esetén a terméket értékesítő vállalkozásnál, annak székhelyén, vagy bármely telephelyén, fióktelepén, illetve mindhárom esetben a jótállási jegyben feltüntetett hivatalos szerviznél közvetlenül is, míg az előző (i) pont szerinti esetben, azaz 100.000,- Ft eladási árát meg nem haladó termék esetén a 13. hónaptól a 24. hónapig kizárólag a hivatalos szerviznél érvényesíthető. ■ Jótállási jegy hiányában a fogyasztói szerződés megkötését bizonyítottan kell tekinteni, ha a fogyasztó bemutatja a termék ellenértékének megfizetését hitelt érdemlően igazoló bizonylatot. Mindezek érdekében kérjük tisztelt Vásárlóinkat, hogy őrizzék meg a fizetési bizonylatot is. A jótállási időn belüli meghibásodás esetén a termék - választása szerint - (i) a hibás terméket díjmentes kijavítását vagy kicserélését követelheti, kivéve, ha a választott igény teljesítése lehetetlen, vagy ha az a jótállásra kötelezettnek a fogyasztó által érvényesíteni kívánt másik igény teljesítésével összehasonlítva aránytalan többletköltséget eredményezne, vagy (ii) ha a kötelezett a kijavítást, illetve kicserélést nem vállalata, vagy e kötelezettségének megfelelő határidőn belül, a fogyasztó érdekeit kímélve nem tud eleget tenni, vagy ha a fogyasztásnak a kijavításhoz vagy kicseréléshez fűződő érdeke megszűnt, akkor a fogyasztó megfelelő árleszállítást igényelhet, vagy a hibát a kötelezett költségére maga kijavíthatja vagy mással kijavíttathatja vagy elállhat a szerződéstől. Jelentéktelen hiba miatt

elállásnak nincs helye. A fogyasztó a választott jogáról másra térhet át. Az áttéréssel okozott költséget köteles a jótállásra kötelezettnek megfizetni, kivéve, ha az áttérésre a jótállásra kötelezett adott okot, vagy az áttérés egyébként indokolt volt. ■ Ha a jótállási időtartam alatt a termék első alkalommal történő javítása során megállapítást nyer, hogy a termék nem javítható, a fogyasztó eltérő rendelkezése hiányában a termék a megállapítást követő 8 napon belül kicserélésre kerül. Ha a termék cseréjére nincs lehetőség, a fogyasztó által bemutatott, a termék ellenértékének megfizetését igazoló bizonylaton feltüntetett vételárát nyolc napon belül kell a fogyasztó részére visszatéríteni. ■ Ha a jótállási időtartam alatt a termék három alkalommal történő kijavítást követően ismét meghibásodik, a fogyasztó eltérő rendelkezése hiányában, valamint ha a fogyasztó nem igényli a vételár arányos leszállítását, és nem kívánja a terméket a jótállásra kötelezett költségére kijavítani vagy mással kijavíttatni, a termék 8 napon belül kicserélésre kerül. Ha a termék kicserélésére nincs lehetőség, a fogyasztó által bemutatott, a termék ellenértékének megfizetését igazoló bizonylaton feltüntetett vételárát nyolc napon belül kell a fogyasztó részére visszatéríteni. ■ Ha a termék kijavítására a kijavítási igény közlésétől számított 30. napig nem kerül sor, a fogyasztó eltérő rendelkezése hiányában a terméket a 30 napos határidő eredménytelen eltelteét követő nyolc napon belül cserélni kell. Ha a termék cseréjére nincs lehetőség, a fogyasztó által bemutatott, a termék ellenértékének megfizetését igazoló bizonylaton feltüntetett vételárát a 30 napos kijavítási határidő eredménytelen eltelteét követő nyolc napon belül kell a fogyasztó részére visszatéríteni. ■ A fogyasztó a hiba felfedezését követően késedelem nélkül, legkésőbb a felfedezéstől számított 2 hónapon belül köteles a hibát közölni. A bejelentés kapcsán kérjük vegye figyelembe, hogy a **jótállási igény kizárólag a jótállási határidőben érvényesíthető! Mindazonáltal a jótállási határidő meghosszabbodik a javításra átadás napjától kezdve azaz az idővel, amely alatt a fogyasztó a terméket a hiba miatt rendelkezésszerűen nem használhatta.** Ha a jótállásra kötelezett jótállási kötelezettségének megfelelő határidőben nem tesz eleget, a jótállási igény a fogyasztó erre irányuló felhívásában tűzött megfelelő határidő eltelteitől számított 3 hónapon belül akkor is érvényesíthető bíróság előtt, ha a jótállási idő már eltelt. E határidő elmulasztása jogvesztéssel jár. A jótállási kötelezettség teljesítésével kapcsolatosan felmerülő költségek a jótállás kötelezettjét terhelik.

■ A 151/2003. (IX.22.) Korm.rendeletben meghatározott tartós fogyasztási cikk meghibásodása miatt a vásárlástól (üzembe helyezéstől) számított három munkanapon belül érvényesített csereigény esetén a terméket értékesítő vállalkozás nem hivatkozhat aránytalan többletköltségre, hanem köteles a tartós fogyasztási cikket kicserélni, feltéve, hogy a meghibásodás a rendelkezésszerű használatot akadályozza (és a csere nem lehetetlen). ■ Kijavítás esetén a fogyasztási cikkbe csak új alkatrész kerülhet beépítésre. Javítási- vagy csereigény esetén törekedni kell arra, hogy a kijavítás vagy kicserélés 15 napon belül megtörténjen. Ha a javítás vagy a csere időtartama a 15 napon meghaladja, akkor tájékoztatni a fogyasztót a kijavítás vagy a csere várható időtartamáról. A tájékoztatás a fogyasztó előzetes hozzájárulása esetén elektronikus úton, vagy a fogyasztó általi átvevő igazolására alkalmas más módon történik. A rögzített bekötésű, illetve a 10kg-nál súlyosabb, vagy tömegközlekedési eszközön kézi csomagként nem szállítható fogyasztási cikket – járművek kivételével – az üzemeltetés helyén kell megjavítani. Ha a javítás az üzemeltetés helyén nem végezhető el, a le- és felszerelésről, valamint az el- és visszaszállításról a jótállás kötelezettje, vagy a javítószolgáltatást közvetlenül érvényesített kijavítási igény esetén – a javítószolgáltat gondoskodik.

■ Nem tartozik jótállás alá a hiba és a jótállásra kötelezett mentesül a jótállási kötelezettség alól, ha bizonyítja, hogy a hiba oka a termék fogyasztó részére való átadását követően keletkezett, így például ha a hibát ■ nem rendelkezésszerű használat, használati útmutató figyelmen kívül hagyása, helytelen szállítási vagy tárolási, leejtési, rongálás, elemi kár, készüléken kívüli ok (pl. hálózati feszültség megengedettnél nagyobb ingadozása) ■ illetéktelen átalakítás, beavatkozás, nem hivatalos szerviz által végzett szakszerűtlen javítás ■ fogyasztó feladatát képező karbantartási munkák elmulasztása ■ normál, természetes elhasználódásra visszavezethető (pl. elem lemerülése) vagy üzemszerű kopásnak tulajdonítható meghibásodás okozta. A jótállás a fogyasztó jogszabályból eredő jogait, így különösen a Polgári Törvénykönyv szerinti kötelezettségtől és a termékjavítási kötelezettségtől függetlenül nem érinti. ■ Tájékoztatjuk, hogy a fogyasztóvédelmi törvényben meghatározott fogyasztó jogvita bíróságon kívüli rendezése érdekében Ön a megyei (fővárosi) kereskedelmi és iparkamarák által működtetett békéltető testület eljárását is kezdeményezheti (a békéltető testületek elérhetősége: <https://bekeltetes.hu/index.php?id=testuletek>).

Hivatalos szerviz / Autoryzowana sieć serwisowa

revision 01/2021

Fast Hungary Kft.
2310, Szigetszentmiklós
Kántor u. 10
Hungary
Tel.: + 36/ 23 330 830
Fax: + 36/ 23 330 8274
fasthungary@fasthungary.hu
www.fasthungary.hu

A kereskedő tölti ki

Megnevezés:.....

Típus:..... Gyártási szám:

A termék azonosításra alkalmas részeinek meghatározása (ha alkalmazható):.....

Vásárlást igazoló bizonylat száma:.....

A vásárlás (üzembe helyezés) időpontja: 20..... hó.....nap.

Kereskedő bélyegzője:

Kereskedő aláírása:

Kereskedő címe:

Javítás esetén alkalmazandó

A kereskedő vagy szerviznél történő közvetlen bejelentés esetén a szerviz tölti ki

A jótállási igény bejelentésének időpontja:

Javításra átvétel időpontja:.....

Hiba oka:.....

Javítás módja:.....

A termék fogyasztó részére való visszaadásának időpontja:.....

A jótállás – kijavítás időtartamával meghosszabbított – új határideje:.....

Szerviz pecsétje:

Kereskedő pecsétje:.....

Kicserélés esetén alkalmazandó

A jótállási igény kicseréléssel került rendezésre.

A csere időpontja:

Kereskedő bélyegzője:

Tisztelt Fogyasztó!

Köszönjük, hogy termékünket választotta. Cégünk és szervizünk elérhetősége:

FAST Hungary Kft. H-2310 Szigetszentmiklós, Kántor út 10. Tel.: 06-23-330-905; 06-23-330-830;

Fax: 06-23-330-827, E-mail: szerviz@fasthungary.hu



Garantijos taisyklės

Šiam gaminii suteikiama 24 mėnesių nuo įsigijimo datos garantija. Garantija apsiriboja žemiau pateikiamomis sąlygomis. Garantija skirta tik gaminiams, skirtiems buitiniam naudojimui. Dėl garantinio remonto pirkejas gali kreiptis į pardavėjo parduotuvę, kurioje gaminį pirkė, arba į nurodytus įgaliotus techninės priežiūros centrus. Galutinis naudotojas įsipareigoja pateikti pretenziją nedelsiant po defekto atsiradimo, tačiau tik iki garantijos galiojimo periodo pabaigos. Galutinis naudotojas įsipareigoja bendradarbiauti patvirtinant gaminio defektus, dėl kurių pateikia pretenziją. Priimtas bus tik pilnai sukomplektuotas ir švarus (pagal higienos standartus) gaminys. Jei pretenzija dėl garantinio remonto bus pagrįsta, gaminio garantijos galiojimo periodas bus prailgintas atitinkamai periodu nuo pretenzijos pateikimo datos iki galutinio naudotojas pasimi sutaisyta gaminį arba iki datos, kada galutinis naudotojas turėtų pasimti sutaisyta gaminį. Norėdamas gauti garantinio remonto paslaugas, galutinis naudotojas turi patvirtinti pretenziją pilnai užpildytais sekančiais dokumentais: pirkimo kvitu, gaminio talonu, instaliavimo sertifikatu...

Garantija netaikoma: ■ Nukainotoms (brokuotoms) prekėms. ■ Įprastinai susidėvintiems gaminio dalims ■ Gedimams, atsiradusiems neprofesionaliai ar neteisingai gaminį instaliavus, nesilaikant gaminio naudojimo instrukcijų, naudojant gaminį ne pagal įstatymų numatytus standartus ar įprastinius tokio tipo gaminų naudojimo procesus, naudojant gaminį kitai paskirčiai nei numatyta. ■ Gedimams, atsiradusiems dėl netinkamos ar nepakankamos gaminio priežiūros. ■ Gedimams, atsiradusiems dėl purvo, nenugalimos jėgos aplinkybių (stichinių nelaimių, gaisro, potvynio, ...). ■ Gedimams, atsiradusiems dėl prastos kokybės signalo, elektromagnetinio lauko trikdžių ir kt. ■ Rodus mechaninių pažeidimų (pvz. sulaužyti mygtukai, kritimo požymiai...). ■ Gedimams, atsiradusiems naudojant gaminį su netinkamomis laikmenomis, jungiant prie netinkamų tinklų, dedant į gaminį netinkamus maitinimo šaltinius (baterijas) ar dėl bet kokių kitų netinkamų naudojimo sąlygų (pvz. aukštos temperatūros, didelės drėgmės, žemės drebėjimų...). ■ Nustačius, kad gaminys taisytas, modifikuotas ar ardytas neįgaliotų tai daryti asmenų. ■ Jei galutinis naudotojas neturi visų reikalingų dokumentų, įrodančių jo teisę į garantinį remontą (pvz. dokumento, kur būtų nurodytas gaminio įsigijimo laikas ir vieta). ■ Jei data pateiktuose dokumentuose skiriasi nuo datos ant gaminio.

Warunki gwarancji

Produkt objęty jest 24 – miesięczną gwarancją, począwszy od daty zakupu przez klienta. Gwarancja jest ograniczona tylko do przedstawionych dalej warunków. Gwarancja obejmuje tylko produkty zakupione w Polsce i jest ważna tylko na terytorium Rzeczypospolitej Polskiej. Gwarancja obejmuje tylko produkty funkcjonujące w warunkach gospodarstwa domowego (nie dotyczy produktów oznaczonych jako „Professional”). Zgłoszenia gwarancyjne można dokonać w autoryzowanej sieci serwisowej lub w sklepie, gdzie produkt został nabyty. Użytkownik jest zobowiązany zgłosić usterkę niezwłocznie po jej wykryciu, a najpóźniej w ostatnim dniu obowiązywania okresu gwarancyjnego. Użytkownik jest zobowiązany do przedstawienia i udokumentowania usterki. Tylko kompletne i czyste produkty (zgodnie ze standardami higienicznymi) będą przyjmowane do naprawy. Usterki będą usuwane przez autoryzowany punkt serwisowy w możliwie krótkim terminie, nieprzekraczającym 14 dni roboczych. Okres gwarancji przedłuża się o czas pobytu sprzętu w serwisie. Klient może ubiegać się o wymianę sprzętu na wolny od wad, jeżeli punkt serwisowy stwierdzi na piśmie, że usunięcie wady jest niemożliwe. Aby produkt mógł być przyjęty przez serwis, użytkownik jest zobowiązany dostarczyć oryginały: dowodu zakupu (paragon lub faktura), podbitej i wypełnionej karty gwarancyjnej, certyfikatu instalacji (niektóre produkty).

Gwarancja zostaje unieważniona, jeśli:

■ usterka była widoczna w chwili zakupu, ■ usterka wynika ze zwykłego użytkowania i zużycia, ■ produkt został uszkodzony z powodu złej instalacji, niezastosowania się do instrukcji obsługi lub użytkowania niezgodnego z przeznaczeniem, ■ produkt został uszkodzony z powodu złej konserwacji lub jej braku, ■ produkt został uszkodzony z powodu zanieczyszczenia, wypadku lub okoliczności o charakterze sił wyższych (powódź, pożar, wojny, zamieszki itp.), ■ produkt wykazuje złe działanie z powodu słabego sygnału, zakłóceń elektromagnetycznych itp., ■ produkt został uszkodzony mechanicznie (np. wylamany przycisk, upadek, itp.), ■ produkt został uszkodzony z powodu użycia niewłaściwych materiałów eksploatacyjnych, nośników, akcesoriów, baterii, akumulatorów itp. lub z powodu użytkowania w złych warunkach (temperatura, wilgotność, wstrząsy itp.), ■ produkt był naprawiany lub modyfikowany przez nieautoryzowany personel, ■ użytkownik nie jest w stanie udowodnić zakupu (nieczytelny paragon lub faktura), ■ dane na przedstawionych dokumentach są inne niż na urządzeniu, ■ produkt nie może być zidentyfikowany ze względu na uszkodzenie numeru seryjnego lub plomby gwarancyjnej.

Uab „Senukai Prekybos Centras“ Garantinis Servisas
Jonavos G. 62, Lt-44192,
Kaunas, Lithuania
Tel.: +370 37 212 146
Tex.: +370 37 212 165
garrem@senukai.lt
www.senukai.lt

Fast Poland, Sp. z o.o.
Sokołowska 10
PL 05-090 Puchały
Poland
Tel.: +48 500 116 777
Fax: +48 22 869 96 13
fastpoland@fastpoland.pl
www.fastpoland.pl



 **FIELDMANN**[®]
Home & Garden Performance