



**FIELDMANN**<sup>®</sup>  
Home & Garden Performance

**20V** LI-ION  
**FASTPOWER**

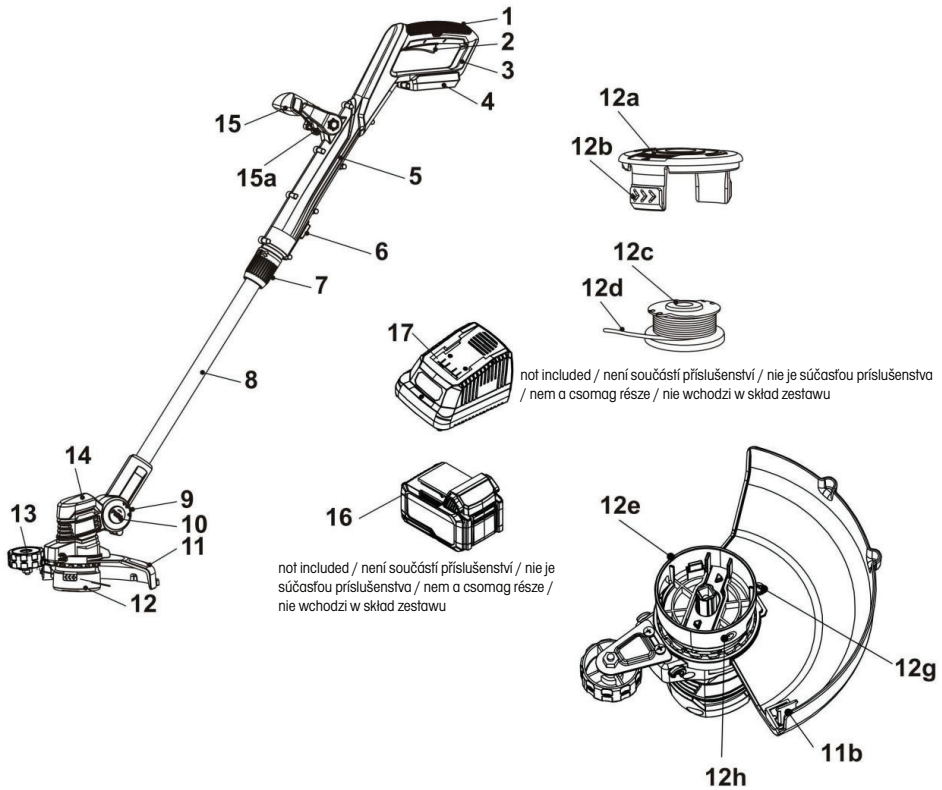


FZS 70101-0

---

English .....	5-22
Čeština.....	23-42
Slovenčina .....	43-62
Magyarul .....	63-80
Polski .....	81-107

1





# Cordless grass trimmer

## USER'S MANUAL

**Thank you for purchasing this garden cordless grass trimmer.  
Before you start using it, please read this user manual carefully and save it for future use.**

## CONTENTS

1. GENERAL SAFETY REGULATIONS.....	6
2. SYMBOLS.....	7
3. DESCRIPTION OF THE MACHINE.....	8
4. ASSEMBLY AND OPERATION .....	8
5. SAFETY INSTRUCTIONS.....	17
6. TECHNICAL DATA.....	19
7. MAINTENANCE AND STORAGE.....	20
8. TROUBLESHOOTING.....	20
9. DISPOSAL.....	21
10. DECLARATION OF CONFORMITY.....	22

# 1. GENERAL SAFETY REGULATIONS

## Important safety notice

- ✿ Carefully unpack the product and take care not to throw away any part of the packaging until all the product parts have been identified.
- ✿ Store the trimmer in a dry place out of reach of children.
- ✿ Read all warnings and instructions. Failure to comply with the warnings and instructions may lead to electric shock, fire and/or serious injuries.


## Packaging

The product's packaging prevents damage during transport. This packaging is a resource and can be recycled.

## User manual

Before you start working with your grass trimmer, read the following safety and usage instructions. Get familiar with the controls and correct use of the equipment. Keep the User manual in a safe place where it can be easily found for future use. Save the original packaging, including the internal packing material, guarantee card and proof of purchase receipt for at least the time of the guarantee.

If you need to ship this machine, pack it in the original cardboard box to ensure maximum protection during shipping or transport (e.g. when moving or when you need to send this product for repair).

-  **Note:** If you hand over the appliance to somebody else, do so together with this user's manual. Following the instructions in the included user's manual is a prerequisite for the proper use of the trimmer. The user's manual also contains operating, maintenance, and repair instructions.

**The manufacturer assumes no responsibility for accidents or damages arising from failure to comply with these instructions.**

## 2. SYMBOLS



Risk of injury when instructions are not followed.



### **Danger of injury!**

Beware of hurled-away objects.  
Keep bystanders away.



### **Keep other persons in distance!**

**WARNING!** When operating the device, take care that no other persons are nearby (safe distance: 5m). This is particularly valid for children and animals.



Read the Instruction Manual attentively prior to use.



Protect the tool from the damp and never expose it to rain!



Guaranteed sound power level  $L_{wa}$  88 dB (A)



Use ears protective equipment



Use eyes protective equipment

### 3. DESCRIPTION OF THE MACHINE

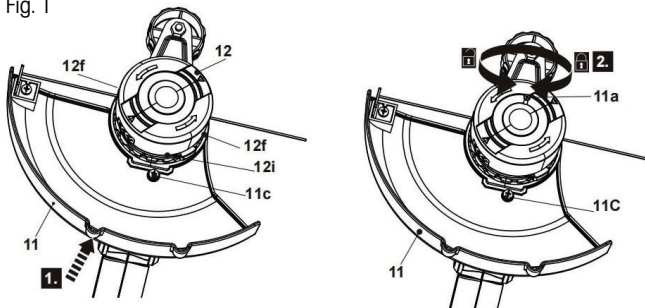
#### Machine description (see fig. 1)

1. Main handle
2. On/off switch
3. Rear safeguard
4. Battery docking port
5. Upper pole
6. Unlock button for angle adjustment
7. Locking sleeve for length adjustment
8. Lower pole
9. Pole support
10. Unlock button for tilt adjustment
  - a. Indicator triangle\*
11. Guard
  - a. Screw\*
  - b. Knife
  - c. Screw hole\*
  - d. Knife protector\*
12. Trimmer head
  - a. Cover
  - b. Release latch (x2)
  - c. Trimming spool
  - d. Trimming line
  - e. Housing
  - f. Sliding slot (x2)\*
  - g. Release push button
  - h. Eyelet
  - i. Screw hole\*
13. Trimming wheel Screw (x2)\*
14. Air vents
15. Auxiliary handle
  - a. Lock button
16. Battery pack (not included)
17. Charger (not included)

### 4. ASSEMBLY AND OPERATION

1. Turn the trimmer head (12) upside down.
2. Align two tips of the guard (11) with the sliding slots (12f) of the trimmer head (12) (Fig. 1, step 1). Fully insert the guard (11) and make sure that the screw holes (11c, 12i) are well aligned.
3. Secure the guard (11) with the screw (11a) in clockwise (Fig. 1, step 2).

Fig. 1



#### **⚠ WARNING!**

Never use the trimmer head (12) without the guard (11) properly fitted.



### Attaching / releasing the battery pack

- ☛ Align the battery pack (16) with the sliding slots of the battery docking port (4) under the rear safeguard (3) and slide the battery pack in to attach it. Ensure it clicks in place (Fig. 2).
- ☛ Press the release button (16c) and remove the battery pack (16) from the battery docking port (4) (Fig. 3).

Fig. 2

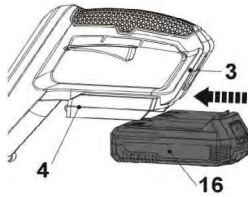
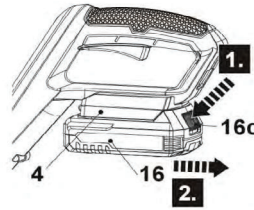


Fig. 3



### Charging the battery pack

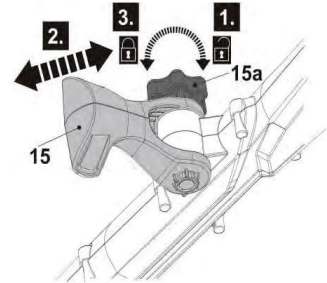
- ☛ The battery pack (16) for this product has been shipped in a low charge condition.

### Auxiliary handle adjustment

Adjust the angle of the auxiliary handle (15) to fit the intended application.

- ☛ Loosen the lock button (15a) in clockwise (Fig.5, step 1), then rotate the auxiliary handle (15) forward or backward to adjust the angle (Fig. 5, step 2).
- ☛ Tighten the lock button (15a) in anti-clockwise to secure the auxiliary Length adjustment in position (Fig.5, step 3).

Fig. 5



### Length adjustment

Adjust the pole length to fit the body length.

- ☛ Loosen the locking sleeve (7) in clockwise (Fig. 6, step 1).
- ☛ Pull the lower pole (8) out or push it together to adjust the desired length (Fig. 6, step2).
- ☛ Tighten the locking sleeve (7) in anticlockwise (Fig. 6, step 3).

Fig. 6



### Main handle angle adjustment

Adjust the main handle (1) to either 0° for trimming or 180° for edging.

- ✿ Press down the unlock button (6) and turn the main handle (1) clockwise while holding lower pole (8) to adjust the trimmer head (12) to an angle of 180° (Fig. 7). Release the unlock button (6) and keep turning the main handle (1) until it locks in place. Ensure the unlock button (6) snaps into place.
- ✿ Press down the unlock button (6) and turn the main handle (1) anticlockwise while holding lower pole (8) to adjust the trimmer head (12) to an angle of 0° (Fig. 8). Release the unlock button (6) and keep turning the main handle (1) until it locks in place. Ensure the unlock button (6) snaps into place.

Fig. 7 (initial position 0°)

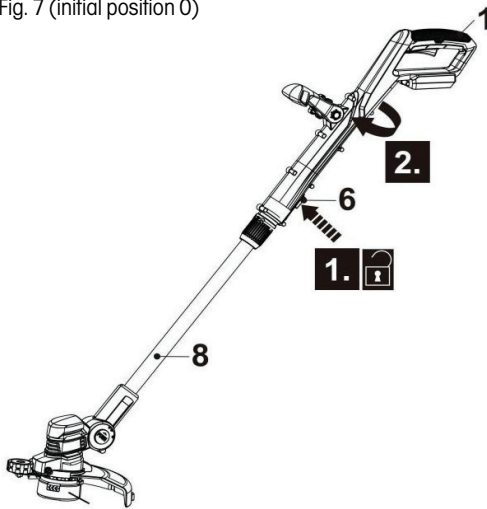
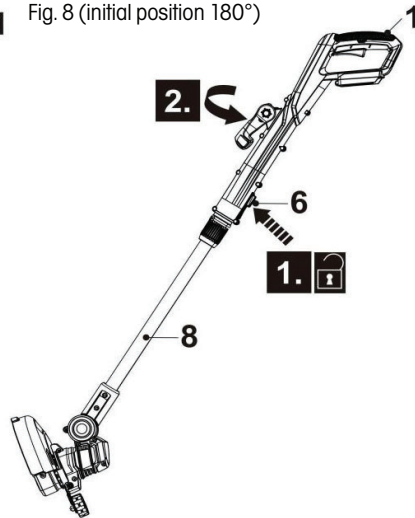


Fig. 8 (initial position 180°)



**⚠ WARNING!** Always ensure that the unlock button (6) snaps into place after adjusting the main handle in one of the end positions! Never adjust to an intermediate position!

### Trimmer head tilt adjustment

Tilt the angle of trimmer head to fit the ground conditions for trimming or edging use by aligning the indicator triangle (10a) on unlock button (10) with one of three indicators of the pole support (9) (Fig. 9).

- ✿ Push the unlock button (10) and hold it in position (Fig.10, step 1).
- ✿ Move the lower pole (8) slightly up or downward (Fig.10, step 2).
- ✿ Release the unlock button (10) and keep moving the lower pole (8) until it locks in place.

Fig. 9

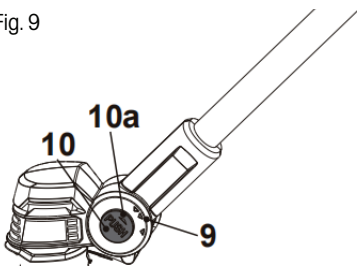
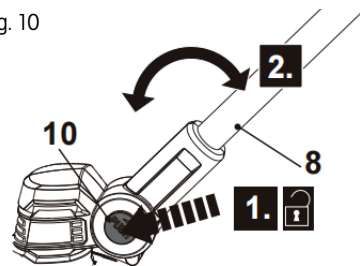


Fig. 10



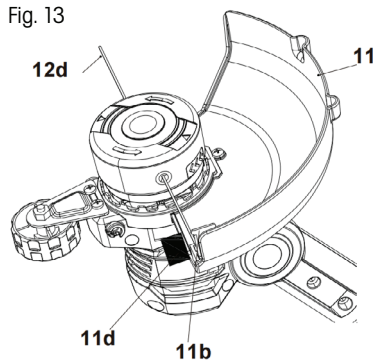
**⚠ WARNING!** Always ensure that the unlock button (10) snaps into place after adjusting the trimmer head (12) in one of the required positions! Never adjust to an intermediate position!

### Trimmer wheel

- ✿ Use the trimmer wheel (13) to keep distance to obstacles that could be hit by the cutting device.
- ✿ Use the trimmer wheel (13) to cutting the grass at the edges.

### Guard

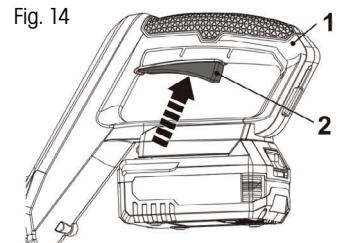
The guard (11) protects the operator against thrown objects during operation. It is equipped with a knife (11b) that cuts the trimming line (12d) (Fig. 13).



**📖 NOTE:** Always remove knife protection (11d) before use.

### Switching on/off

- ✿ Hold the product with one hand at the auxiliary handle (15) and with the other at the main handle (1).
- ✿ Squeeze the on/off switch (2) to switch the product on (Fig. 14).
- ✿ Release the on/off switch (2) to switch the product off.



### General operation

- ✿ Check the product, its battery pack and charger as well as accessories for damage before each use. Do not use the product if it is damaged or shows wear.
- ✿ Double check accessories or attachments are properly fixed.
- ✿ Always hold the product by its handles. Keep the handles dry to ensure safe support.
- ✿ Ensure that the air vents are always unobstructed and clear. Clean them if necessary with a soft brush. Blocked air vents may lead to overheating and damage the product.
- ✿ Switch the product off immediately if you are disturbed while working by other people entering the working area. Always let the product come to complete stop before putting it down.
- ✿ Do not overwork yourself. Take regular breaks to ensure you can concentrate on the work and have full control over the product.

### Trimming

- ✿ Make sure that the knife protector (11d) is removed, the trimming wheel (13) is fixed for use and the battery pack (16) is assembled before operation.
- ✿ Adjust the main handle (1) angle to 0° for trimming.
- ✿ Hold the product firmly with a gap between the product and your right side.
- ✿ Stand upright, do not lean forward and pay attention to posture. Keep both feet apart to help retain your balance.
- ✿ Hold the trimmer head (12) just above the ground at an angle of approximately 30° (Fig. 15).
- ✿ Move the product with a slow regular arc from left to right before moving it back to the starting position before trimming the next area (Fig. 16).

Fig. 15

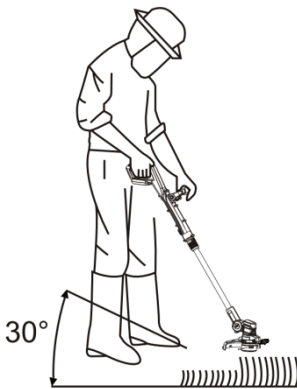


Fig. 16



- ✿ Ensure the cutting device remains clean and free from off-cuts that may cause it to jam. Check regularly. Release the on/off switch (2) and remove the battery pack (16) before checking.
- ✿ Trim longer grass in stages; do not cut long grass in one cut (Fig. 17). For the best results, cut longer grass in steps (Fig. 18).

Fig. 17

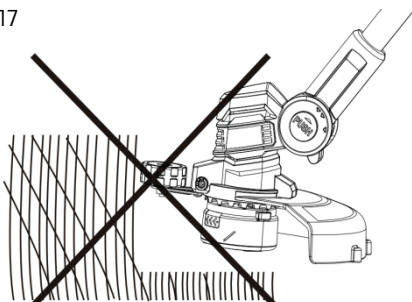
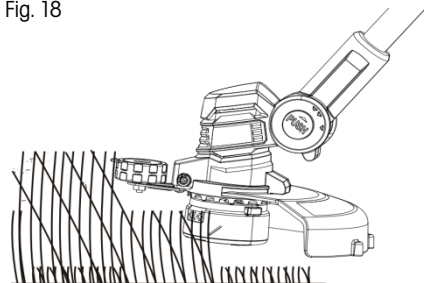


Fig. 18



## Edging

- ✿ Make sure that the knife protector (11d) is removed, the trimming wheel (13) is fixed for use and the battery pack (16) is assembled before operation.
- ✿ Adjust the main handle (1) angle to 180° for edging (Fig. 19).

## Tips

- ✿ For best results, do not cut wet grass because it tends to stick to the cutting head and guard, prevents proper discharge of grass trimmings, and could cause you to slip and fall.
- ✿ Do not allow the spool cover to drag on the ground or other surfaces.
- ✿ Pay special attention when performing the work close to trees and bushes. The cutting head could damage sensitive bark, and damage fence posts.
- ✿ Use the trimming wheel to trimming / edging position to avoid bringing the cutting device into contact with hard objects such as walls and kerbstones (Figs. 20, 21).

Fig. 19

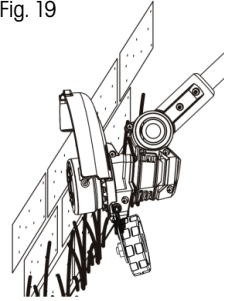


Fig. 20

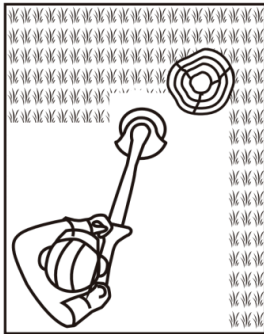
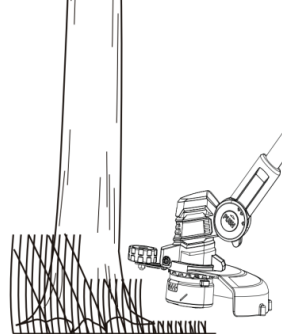




Fig. 21



 **NOTE:** The trimming line will wear faster and require more replacement if cutting is done along sidewalks or other abrasive surfaces or heavier weeds are being cut.


 **NOTE:** While trimming, the cutting device is possible to be blocked by grass or unevenly ground. So the product will turn off automatically due to over current. Therefore release the on/off switch for over 3s and then press down again to go on with trimming.

## Line feeding

During use, the tip of the trimming line will get shorter due to wear and the trimming line may break. Regularly check the condition of the trimming line (12d) and adjust if necessary.



**WARNING!** Always switch the product off, remove the battery pack and let the product cool down before performing inspection, maintenance and cleaning work!

 **NOTE:** This product is equipped with an auto-feed head. Do not bump the trimmer head on the ground as this would damage the product.

### Manual feeding

- ✿ Turn trimmer head (12) upside down.
- ✿ Press the release push button (12g) while pulling on the trimming line (12d). The trimming spool (12c) will release the trimming line (Fig. 22).
- ✿ Repeat until the worn part of the trimming line (12d) exceeds the distance to the knife (11b).
- ✿ Attach the battery pack and use the product as described. Excess line will be cut by the knife (11b) and should always remain inside the radius of the guard (11).




**WARNING!** The trimming line will be throw out! Danger of injury especailly for bystanders!



### Auto-feeding

With the product running, release on/off switch (2) to let it stop completely. Press the on/off switch (2) to start the product.

 **NOTE:** The trimming line will extend about 3-5 mm with each stop and start until the line reach the length of the knife. Avoid stop and start frequently as the trimming line may auto-feed unintentionally and causes waste a lot of line.

### After use

- ✿ Switch the product off, remove the battery back and let it cool down.
- ✿ Attach the knife protector (11d) if necessary.
- ✿ Check, clean and store the product as described below.


### The golden rules for care




**WARNING!** Always switch the product off, remove the battery pack and let the product cool down before performing inspection, maintenance and cleaning work!



- ✿ Keep the product clean. Remove debris from it after each use and before storage.
- ✿ Regular and proper cleaning will help ensure safe use and prolong the life of the product.
- ✿ Inspect the product before each use for worn and damaged parts. Do not Operate if you find broken and worn parts.

 **WARNING!** Only perform repairs and maintenance work according to these instrustions! All futher works must be performed by a qualified specialist!

### General Clean

- ✿ Clean the product with a damp cloth and pH-neutral soap. Use a brush for areas that are hard to reach.
- ✿ Remove stubborn dust with high pressure air (max. 3 bar).
-  **NOTE:** Do not use chemical, alkaline, abrasive or other aggressive detergents or disinfectants to clean this product as they might be harmful to its surfaces.
- ✿ Check for worn or damaged parts. Replace worn parts as necessary or contact an authorised service centre for repair before using the product again.

### Guard

- ✿ Keep the guard (11) clean and free of debris. Remove trimmings.
- ✿ Replace the guard (11) with one of the same type when it is worn or shows damage.

### Trimming line

Replace the trimming spool.

Replace the line spool when it is empty or worn.

- ✿ Turn the product upside down to access the trimming line.
- ✿ Hold the trimmer head (12) steady with one hand. Press the release latches (12b) on both sides, then lift the cover (12a) and remove it (Fig. 23).
- ✿ Remove the trimming spool (12c) from the housing (12e) (Fig. 24).

Fig. 23

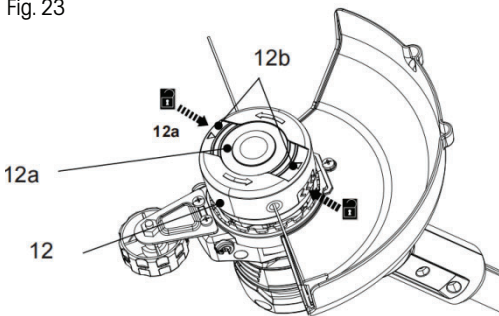
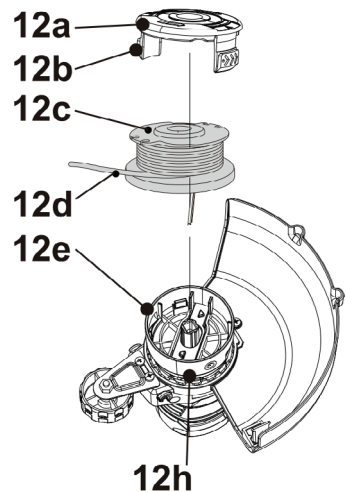
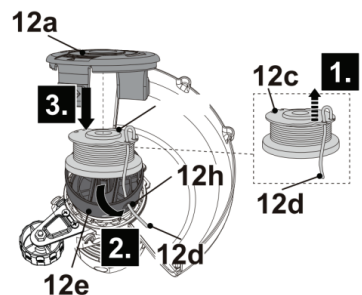


Fig. 24



- ✿ Clean the housing (12e) before inserting a new spool (12c) of the same type.
- ✿ Pull the line from the new spool for a length of approx. 12 cm.
- ✿ Release the trimming line (12d) from the notches and hold it in position. Avoid the trimmer line (12d) scattered from the trimming spool (12c) (Fig. 25, Step 1).
- ✿ Lead the trimming line (12d) ending through the eyelet (12h) of the housing (12e) (Fig. 25, Step 2).
- ✿ Insert the trimming spool (12c) into the housing (12e) (Fig. 25, Step 3). Twist the trimming spool (12c) until it locks into place.
- ✿ Refit the cover (12a) and make sure it snaps into place.

Fig. 25



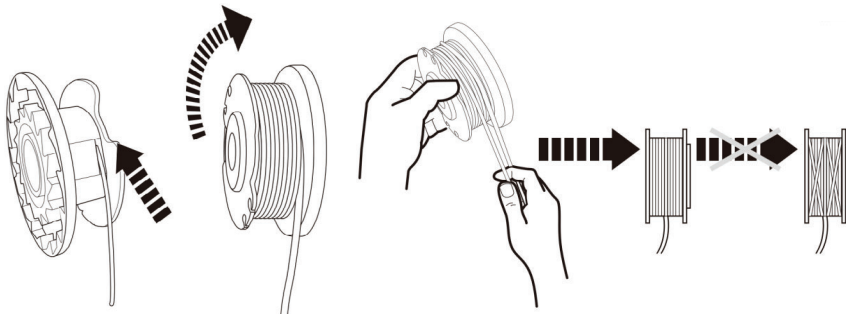
### Refill the trimming line in trimming spool

- ✿ Turn the product upside down to access the trimming line.
- ✿ Hold the trimmer head (12) steady with one hand. Press the release latches (12b) on both sides to remove the cover (12a).
- ✿ Remove the trimming spool (12c) from the housing (12e).
- ✿ Discard all the remaining line (12d) from the trimming spool (12c).
- ✿ Clean the housing (12e) and the trimming spool (12c) .
- ✿ Cut a new 4 m long trimming line with a spool (12c) in direction of the arrows (Fig. 26).
- ✿ Lead one end of the new trimming line (12d) through the small eyelet on the trimming spool (12c) in direction of the arrows (Fig. 26).
- ✿ Pull the trimming line (12d) and bend it over (Fig.27).
- ✿ Wind all the trimming line (12d) firmly around the spool in direction of the arrows on the trimming spool (12c) (Fig. 28).

Fig. 26

Fig. 27

Fig. 28



### Storage

- ✿ Switch the product off and remove the battery pack.
- ✿ Clean the product as described above.
- ✿ Remove the trimming wheel (13) to storage position if necessary.
- ✿ Store the product and its accessories in a dark,dry,frost-free,well-ventilated place.
- ✿ Always store the product in a place that is inaccessible to children. The ideal storage temperature is between 10 °C and 30 °C.
- ✿ We recommend using the original package for storage or covering the product with a suitable cloth or enclosure to protect it against dust.

### Transportation

- ✿ Switch the product off and remove the battery pack.
- ✿ Attach the knife protector (11d) if necessary.
- ✿ Remove the trimming wheel (13) to storage position if necessary.
- ✿ Always carry the product by its handles (1, 15).
- ✿ Protect the product from any heavy impact or strong vibrations which may occur during transportation in vehicles.
- ✿ Secure the product to prevent it from slipping or falling over.



## 5. SAFETY INSTRUCTIONS

**⚠ ATTENTION!** Before you start working with your cordless string grass trimmer, read the following safety and usage instructions. Get familiar with the controls and correct use of the equipment. Keep the User manual in a safe place where it can be easily found for future use.

### Safety Instruction for your new trimmer

- ✿ Wear protective glasses designed for working with a machine.
- ✿ Wear safety gloves designed for working with a machine.
- ✿ Do not expose the machine to rain or moisture.
- ✿ Get acquainted with operation and correct use of your string trimmer.
- ✿ Do not allow children to operate the trimmer. All persons working with the grass trimmer must well acquainted with the user's manual.
- ✿ Keep other persons (mainly children) and animals out of the trimmer's reach as the cut grass may contain stones or debris. Stop the trimmer if there are children, adults or animals in the vicinity.
- ✿ Keep other persons (particularly children) and animals out of range, at least 15 m from the working area.
- ✿ Work only in sufficient light.
- ✿ Before each use or after a strike, please check for any signs of damage and repair as needed. Do not use the string grass trimmer if damaged or the security is not guaranteed.
- ✿ On regular basis and before each use, please check the trimmer condition (mainly if all screws and nuts are tightened and the safety cover is attached). If the trimmer is not in good condition, it's cannot be used safely.
- ✿ The protective cover must be attached at all times during trimming.
- ✿ Do not use the trimmer if the cover is damaged.
- ✿ Prior to starting the string trimmer, make sure that the nylon cutting edge is not touching the ground, stones or other items.
- ✿ Keep your hands and feet sufficiently apart from the rotating string, mainly after starting the motor.
- ✿ Protect yourself from injuries that may be caused by the rotating string that may be turning for a while after the machine is turned off. After prolonging the string, always return your trimmer to its original working position.
- ✿ Do not use metallic mowing parts for grass trimming.
- ✿ Always use only original spare parts.
- ✿ Disconnect the battery before maintenance or cleaning or if you don't use your trimmer.
- ✿ Always make sure that the ventilation openings are clean.
- ✿ Prevent the trimmer from being started at random. Never carry the trimmer with your finger on the trigger.
- ✿ When operating the trimmer, make sure it's in a safe and stable position.
- ✿ Before starting the trimmer, check the work area and remove wires, stones, debris etc.
- ✿ Do not trim against solid objects. This could lead to injury or damage to the grass trimmer.


**⚠ ATTENTION!** Mowing parts rotate even after the trimmer is turned off.

- ✿ Do not attempt to stop the string (nylon) with your hand! Let the string run out on its own.
- ✿ Do not use the trimmer to cut grass that doesn't contact the ground such as grass growing on stones, walls etc.
- ✿ Keep off pavement, gravel paths etc. while is string is still rotating.

## Safety instructions for the battery and charger

### Battery

- ✿ Never open the battery.
- ✿ Do not expose the battery to water.
- ✿ Do not throw the battery in fire as there is a risk of explosion!
- ✿ Do not store the battery in locations where the temperature could exceed 40°C.
- ✿ Do not leave the battery in charger if the charging is finished. Otherwise, electrolyte could leak out of the battery.
- ✿ Charge at room temperature only.
- ✿ Use only original charger supplied by the battery.
- ✿ Before charging check that the battery is dry and clean.
- ✿ Use only the battery types approved by the manufacturer.
- ✿ Do not put the battery in common household waste but return it in a battery recycling centre instead.
- ✿ Under extreme conditions there is a risk of the electrolyte leaking out of the battery. If the electrolyte leaks, proceed as follows:
  - Carefully wipe the electrolyte away with a dry cloth. Avoid contact with skin.
  - If contact with skin or eyes does occur, proceed according to the instructions below.
- ✿ The battery contains a 25-30% potassium hydroxide solution, which may be harmful. If contact with the skin occurs, immediately wash with large amounts of water. Neutralise with a mild acid, e.g. lemon juice, vinegar. When eyes are affected, thoroughly rinse with water (for at least 10 minutes) and seek medical attention.

 **NOTE:** The batteries are Li-Ion types. Do not throw the batteries in household waste, fire or water. The batteries must be disposed of in environmentally friendly manner.

### Charger

- ✿ Never replace any electric cord, risk of injury could occur!
- ✿ Only use the charger for charging the original batteries supplied with the product. When charging a different battery type there is danger of sudden combustion, serious injury to persons, damage to property.
- ✿ Only two batteries can be charged continuously one after another, otherwise charger overheating might occur. Allow the charger to cool down before a new charging.
- ✿ When the charging process is complete, unplug the charger from the power socket remove the battery.
- ✿ Do not leave the battery in the charger.
- ✿ When carrying the charger, do not hold the cord or the plug. To disconnect the charger from a power socket, do not pull the cord but hold plug instead. Protect the charger from heat and contact with sharp objects.
- ✿ Never charge non-rechargeable batteries.
- ✿ Do not use the charger cord if damaged in any way.
- ✿ Do not expose the charger to water or rain effects and do not use it in wet environment.
- ✿ Do not open the charger.
- ✿ Do not disassemble the charger.
- ✿ Do not use the charger outdoors as it's designed for indoor use only.

## 6. TECHNICAL DATA

<b>MODEL NO</b>	<b>FZS 70105-0</b>
Rated voltage	18V
Rated no load speed n <sub>0</sub>	8000 min <sup>-1</sup>
Cutting width	23 cm
Trimming line	Non-metallic, Ø 1.6 mm, length 4m
Protection class	III
Weight	approx. 1.3 kg
Dimensions	approx. 1100x240x320mm

### Accessories

<b>Item number</b>	<b>Accessory</b>
FDUZ 79020	Battery pack 2 Ah
FDUZ 79040	Battery pack 4 Ah
FDUZ 79100	Fast charger
FDUZ 79110	Fast dual charger

The sound values have been determined according to noise test code given in EN 50636-2-91, using the basic standards EN ISO 11201 and EN ISO 3744.

The sound intensity level for the operator may exceed 80 dB(A) and ear protection measures are necessary.

## 7. MAINTENANCE AND STORAGE

### Maintenance

- ✿ When finished, remove the battery from the string trimmer.
- ✿ Only use spare parts and accessories approved by the manufacturer.
- ✿ To keep the trimmer in a perfect condition, please store its parts - coils - in a closeable bag.
- ✿ Disconnect the battery before cleaning. For cleaning, use only a cloth moistened in water (you can also use soap solution). Never immerse the trimmer in water. Never rinse the trimmer under water jet (such as with a garden hose). No water may get inside the machine. Do not clean with a pressure washer.
- ✿ The cutting tool on the cover edges may get blunt over time. We recommend to check the cutting tool sharpness on regular basis.

### Storage

- ✿ Store the trimmer in a dry room.
- ✿ Do not place any other items on the machine.
- ✿ At the end of the season, perform a complete inspection of the trimmer and remove accumulated grass clippings.
- ✿ If a repair is necessary, contact an authorised customer service centre or your vendor.

## 8. TROUBLESHOOTING

Fault/malfunction	Cause	Remedy
Product not running	Battery discharged?	Charge rechargeable battery.
	Battery pack does not sit its place correctly?	Install the battery pack once again.
	Device defective?	Contact service partner.
The tool is vibrating	The tool is clean? There are more grasses accumulated in the line spool and safety guard?	Clean the tool, remove grass in between the line spool and the safety guard.
	Does the Line spool have been installed correctly?	Insert the Line Spool correctly.

## 9. DISPOSAL



The machine, rechargeable batteries, accessories and packaging should be sorted for environmentally friendly recycling.

Do not dispose of power tools and batteries/rechargeable batteries into household waste!

### Only for EC countries:



According to the European Guideline 2012/19/EU, power tools that are no longer usable, and according to the European Guideline 2006/66/EC, defective or used battery packs/batteries, must be collected separately and disposed of in an environmentally correct manner.

#### **INSTRUCTIONS AND INFORMATION ON DISPOSAL OF USED PACKAGING.**

Put any used package material to the place determined by the municipality for waste disposal.

#### **DISPOSAL OF USED ELECTRIC AND ELECTRONIC EQUIPMENT**



This symbol on products or accompanying documents means that used electric or electronic products must not be put to ordinary municipal waste.

Hand over such products to determined collection points for proper disposal, restoration and recycling. Alternatively, in some countries of the European Union or other European countries you can return your products to your local dealer when you buy an equivalent new product. By dutiful disposal of this product you can preserve precious natural resources and you help prevent any potential adverse effects on the environment and human health which could be the results of wrong waste disposal. Ask your local authority or the nearest collection point for additional details. In case of improper disposal of this waste kind penalties can be imposed in accordance with national regulations.

#### **For companies in the European Union countries**

Should you want to dispose of electric and electronic devices, ask your dealer or vendor for necessary information.

#### **Disposal in other countries outside the European Union**

Should you want to dispose of this product, ask your local authorities or your dealer for necessary information about disposal method.



This product fulfils all basic requirements of the EU directives that apply to it.

Text, design and technical specifications can change without prior notice and we reserve the right for their change.

User manual in the original language.

# 10. DECLARATION OF CONFORMITY

# FAST®

FAST ČR, a.s.  
U Sanitásu 1621, 251 01 Říčany, Czech Republic  
tel.: +420 323 204 111, fax: +420 323 204 110

## EU DECLARATION OF CONFORMITY

**Product / brand:** Cordless Grass Trimmer / **FIELDMANN**

**Type / model:** **FZS 70101-0** as factory model L05-001A  
DC 18V (battery powered); cutting length 230mm; Class III; IPX0  
 $L_{PA} = 68,3 \text{ dB(A)}$ ;  $L_{WA} = 88 \text{ dB(A)}$

**Manufacturer:** FAST ČR, a.s.  
U Sanitásu 1621, 251 01 Říčany, Czech Republic  
VAT no: CZ24777749

**This declaration of conformity is issued under the sole responsibility of the manufacturer.**

**The object of the declaration described above is in conformity with the relevant Union harmonization legislation:**

Directive MD 2006/42/EC	Directive EMC 2014/30/EU
Directive NEOE 2000/14/EC	Directive RoHS 2011/65/EU

**The relevant harmonized standards and the other technical specifications:**

EN 60335-1:2012+AC+A11+A13+A1+A14+A2	EN 55014-1:2017+A11
EN 50636-2-91:2014	EN 55014-2:2015
EN 62233:2008+AC	



**Place of issuance:** Prague  
**Date of issuance:** 30. 09. 2022

**Name:** Petr Uher - Responsible Person  
**Signature:**

**FAST** FAST ČR, a.s.  
U Sanitásu 1621, 251 01 Říčany  
tel.: +420 323 204 111  
IČO: 247 77 749, DIČ: CZ 247 77 749

IČO:24777749, DIČ:CZ24777749

Bankovní spojení: Komerční banka Praha 1, č.ú. 89309011/0100, ČSOB Praha 1, č.ú. 8010-0116233383/0300  
Česká spořitelna Praha 4, č.ú. 2375682/0800

# Akumulátorová strunová sekačka

## UŽIVATELSKÁ PŘÍRUČKA

**Děkujeme vám za zakoupení této zahradní akumulátorové strunové sekačky. Před jejím použitím si prosím pečlivě přečtete tuto uživatelskou příručku a uschovejte ji pro pozdější použití.**

### OBSAH

1. VŠEOBECNÉ BEZPEČNOSTNÍ PŘEDPISY .....	24
2. SYMBOLY .....	25
3. POPIS NÁŘADÍ .....	26
4. SESTAVENÍ A OVLÁDÁNÍ .....	26
5. BEZPEČNOSTNÍ POKYNY .....	35
6. TECHNICKÉ ÚDAJE .....	38
7. ÚDRŽBA A SKLADOVÁNÍ .....	39
8. ODSTRAŇOVÁNÍ ZÁVAD .....	39
9. LIKVIDACE .....	40
10. PROHLÁŠENÍ O SHODĚ .....	41

# 1. VŠEOBECNÉ BEZPEČNOSTNÍ PŘEDPISY

## Důležité bezpečnostní upozornění

- ✿ Výrobek opatrně vybalte a dávejte přitom pozor, aby z obalu nevypadla žádná součást výrobku, dokud nebude zkontrolována úplnost dodávky.
- ✿ Skladujte tuto strunovou sekačku na suchém místě mimo dosah dětí.
- ✿ Přečtěte si všechna varování a pokyny. Nedodržování těchto varování a pokynů může mít za následek úraz elektrickým proudem, požár a/nebo vážná zranění.

## Balení

Obal tohoto výrobku zabraňuje jeho poškození během přepravy. Tento obal představuje druhotnou surovinu, která může být recyklována.

## Uživatelská příručka

Před zahájením práce s touto strunovou sekačkou si přečtěte následující pokyny týkající se bezpečnosti a způsobu používání. Důkladně se seznámte s ovládacími prvky a správným používáním tohoto zařízení. Uchovejte tuto uživatelskou příručku na bezpečném místě, kde ji budete moci v případě potřeby snadno najít. Alespoň po dobu platnosti záruky uschovejte originální obal včetně vnitřního obalového materiálu, záručního listu a dokladu o zakoupení.

Potřebujete-li toto nářadí přepravit na jiné místo, zabalte jej do originální lepenkové krabice, aby byla zajištěna jeho maximální ochrana během manipulace a přepravy (například při stěhování nebo při odesílání tohoto výrobku za účelem provedení opravy).

- 📖 **Poznámka:** Budete-li toto nářadí předávat někomu jinému, přiložte k němu i tuto uživatelskou příručku. Dodržování pokynů uvedených v příložené uživatelské příručce je nezbytným předpokladem správného způsobu používání této strunové sekačky. Kromě návodu k obsluze obsahuje uživatelská příručka také pokyny k provádění údržby a oprav.

**Výrobce nepřebírá zodpovědnost za nehody nebo škody způsobené nedodržením těchto pokynů.**



## 2. SYMBOLY

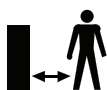


V případě nedodržení pokynů hrozí nebezpečí zranění.



### **Nebezpečí zranění!**

Dávejte pozor na odmrštěné předměty.  
Zabraňte přístupu nepovolaných osob.



### **Udržujte ostatní osoby v bezpečné vzdálenosti!**

**VAROVÁNÍ!** Při práci s tímto zařízením dávejte pozor, aby se v jeho blízkosti nenacházely žádné jiné osoby (bezpečná vzdálenost: 5 m).  
To platí zejména pro děti a zvířata.



Před použitím tohoto nářadí si pozorně přečtěte návod k obsluze.



Chraňte toto nářadí před vlhkostí a nikdy jej nenechávejte na dešti!



Zaručená úroveň akustického výkonu  $L_{wa}$  88 dB (A)



Používejte ochranu sluchu



Používejte ochranu zraku

## 3. POPIS NÁŘADÍ

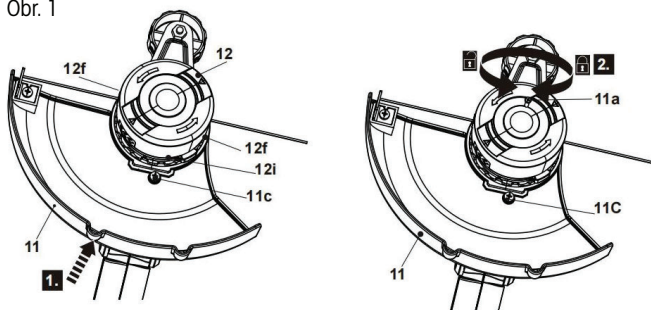
### Popis nářadí (viz obr. 1)

1. Hlavní rukojeť
2. Vypínač
3. Zadní ochranný kryt
4. Dokovací port baterie
5. Horní tyč
6. Odjišťovací tlačítko pro nastavení úhlu
7. Upínací pouzdro pro nastavení délky
8. Dolní tyč
9. Podpora tyče
10. Odjišťovací tlačítko pro nastavení sklonu
  - a. Indikační trojúhelník\*
11. Ochranný kryt
  - a. Šroub\*
  - b. Nůž
  - c. Otvor pro šroub\*
  - d. Chránič nože\*
12. Strunová hlava
  - a. Kryt
  - b. Uvolňovací západka (×2)
  - c. Strunová cívka
  - d. Vyžínací struna
  - e. Kryt
  - f. Posuvná štěrbiná (×2)\*
  - g. Uvolňovací tlačítko
  - h. Očko
  - c. Otvor pro šroub\*
13. Šroub kolečka vyžínače (×2)\*
14. Ventilací otvory
15. Přídavná rukojeť
  - a. Zajišťovací tlačítko
16. Akumulátor (není součástí příslušenství)
17. Nabíječka (není součástí příslušenství)

## 4. SESTAVENÍ A OVLÁDÁNÍ

1. Otočte strunovou hlavu (12) vzhůru nohama.
2. Vyrovnajte dva hroty ochranného krytu (11) s posuvnými štěrbinami (12f) strunové hlavy (12) (obr. 1, krok 1). Vložte ochranný kryt (11) až na doraz a zajištěte, aby byly otvory pro šrouby (11c, 12i) správně zarovnané.
3. Zajištěte kryt (11) otáčením šroubu (11a) ve směru hodinových ručiček (obr. 1, krok 2).

Obr. 1



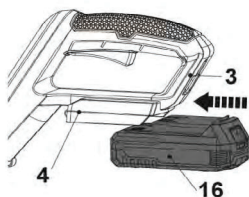
### **VAROVÁNÍ!**

Nikdy nepoužívejte strunovou hlavu (12) bez řádně připevněného ochranného krytu (11).

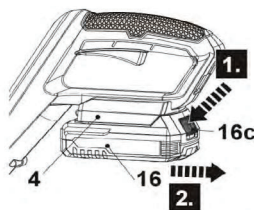
### Přípevnění/uvolnění akumulátoru

- ☛ Vyrovnajte akumulátor (16) s posuvnými štěrbinami dokovacího portu akumulátoru (4) pod zadním ochranným krytem (3) a zasunutím akumulátor připevněte. Ujistěte se, že zacvaknul do správné polohy (obr. 2).
- ☛ Stiskněte uvolňovací tlačítko (16c) a vyjměte akumulátor (16) z dokovacího portu akumulátoru (4) (obr. 3).

Obr. 2



Obr. 3



### Nabíjení akumulátoru

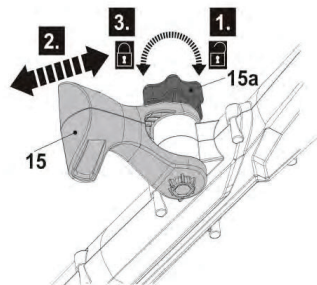
- ☛ Akumulátor (16) pro tento produkt bývá expedován ve stavu nízkého nabití.

### Nastavení pomocné rukojeti

Upravte úhel pomocné rukojeti (15) podle zamýšleného způsobu použití.

- ☛ Uvolněte zajišťovací tlačítko (15a) otočením ve směru hodinových ručiček (obr. 5, krok 1) a pak otočením pomocné rukojeti (15) dopředu nebo dozadu upravte úhel (obr. 5, krok 2).
- ☛ Dotážením zajišťovacího tlačítka (15a) otočením proti směru hodinových ručiček zajistíte nastavenou polohu pomocné rukojeti (obr. 5, krok 3).

Obr. 5



### Nastavení délky

Nastavte délku tyče podle délky vašeho těla.

- ☛ Uvolněte upínací pouzdro (7) otočením ve směru hodinových ručiček (obr. 6, krok 1).
- ☛ Vytažením nebo zasunutím dolní tyče (8) ji nastavte na požadovanou délku (obr. 6, krok 2).
- ☛ Dotáhněte upínací pouzdro (7) otočením proti směru hodinových ručiček (obr. 6, krok 3).

Obr. 6

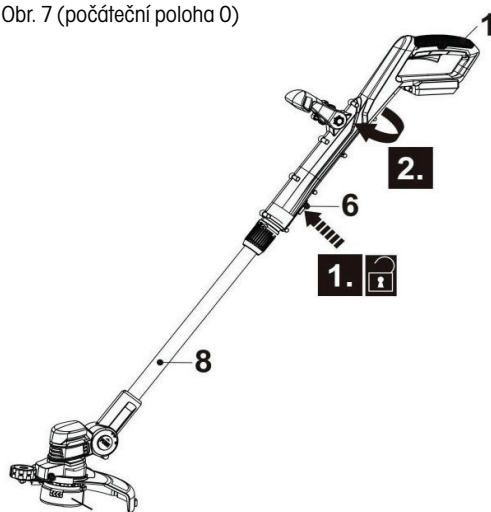


### Nastavení úhlu hlavní rukojeť

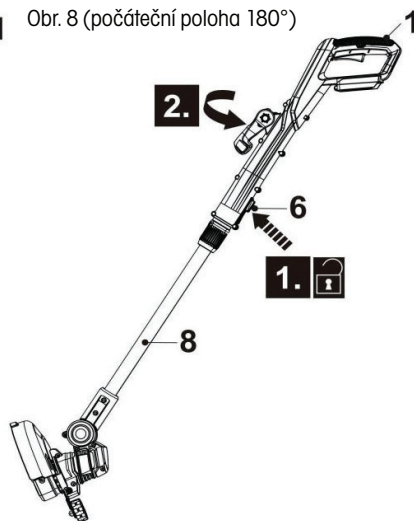
Nastavte hlavní rukojeť (1) na 0° pro vyžínání nebo 180° pro sekání krajů.

- ✿ Stiskněte odjišťovací tlačítko (6) a otočte hlavní rukojeť (1) ve směru hodinových ručiček, zatímco držíte dolní tyč (8), pro nastavení strunové hlavy (12) na úhel 180° (obr. 7). Uvolněte zajišťovací tlačítko (6) a otáčejte hlavní rukojeť (1), dokud nezacvakne do správné polohy. Ujistěte se, že zajišťovací tlačítko (6) zacvaklo do správné polohy.
- ✿ Stiskněte odjišťovací tlačítko (6) a otočte hlavní rukojeť (1) proti směru hodinových ručiček, zatímco držíte dolní tyč (8), pro nastavení strunové hlavy (12) na úhel 0° (obr. 8). Uvolněte zajišťovací tlačítko (6) a otáčejte hlavní rukojeť (1), dokud nezacvakne do správné polohy. Ujistěte se, že zajišťovací tlačítko (6) zacvaklo do správné polohy.

Obr. 7 (počáteční poloha 0)



Obr. 8 (počáteční poloha 180°)



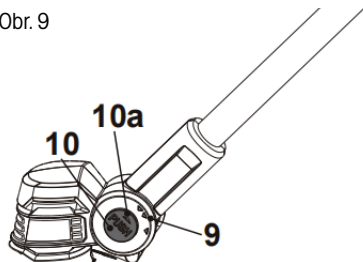
**VAROVÁNÍ!** Po nastavení hlavní rukojeť do některé z těchto koncových poloh se vždy ujistěte, že zajišťovací tlačítko (6) zacvaklo do správné polohy! Nikdy nenastavujte prostřední polohu!

### Nastavení sklonu strunové hlavy

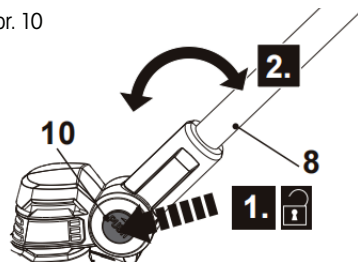
Nastavte úhel sklonu strunové hlavy podle podmínek terénu pro vyžínání nebo sekání okrajů vyrovnáním indikačního trojúhelníku (10a) na odjišťovacím tlačítku (10) s některým ze tří indikátorů podpory tyče (9) (obr. 9).

- ✿ Stiskněte odjišťovací tlačítko (10) a podržte jej v příslušné poloze (obr. 10, krok 1).
- ✿ Posuňte dolní tyč (8) mírně nahoru nebo dolů (obr. 10, krok 2).
- ✿ Uvolněte zajišťovací tlačítko (10) a pohybujte dolní tyčí (8), dokud nezacvakne do správné polohy.

Obr. 9



Obr. 10



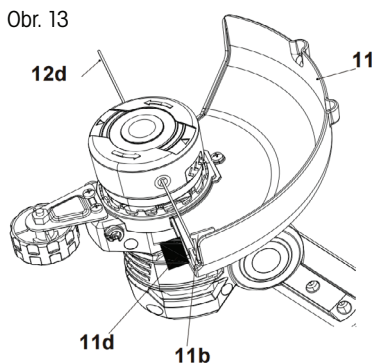
**VAROVÁNÍ!** Po nastavení strunové hlavy (12) do požadované polohy vždy zajistěte, aby odjišťovací tlačítko (10) zacvaklo do správné polohy! Nikdy nenastavujte prostřední polohu!

### Kolečko vyžinače

- ☛ Kolečko vyžinače (13) používejte pro udržování odstupu od překážek, do kterých by mohlo narazit sekací zařízení.
- ☛ Kolečko vyžinače (13) používejte pro sekání trávy na okrajích.

### Ochranný kryt

Ochranný kryt (11) chrání během práce se zařízením obsluhu před odmrštěnými předměty. Je vybaven nožem (11b) pro odřezávání vyžinací struny (12d) (obr. 13).

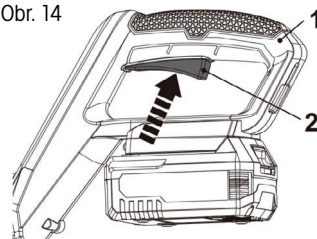


**POZNÁMKA:** Před použitím vždy odstraňte ochranu nože (11d).

### Zapnutí/vypnutí

- ☛ Držte produkt jednou rukou za pomocnou rukojeť (15) a druhou rukou za hlavní rukojeť (1).
- ☛ Stisknutím vypínače (2) produkt zapněte (obr. 14).
- ☛ Uvolněním vypínače (2) produkt vypněte.

Obr. 14



### Obecné ovládání

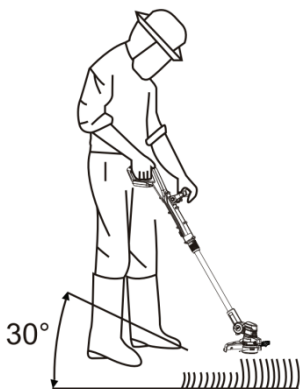
- ☛ Před každým použitím produktu zkontrolujte, zda nedošlo k poškození tohoto produktu, jeho akumulátoru, nabíječky nebo příslušenství. Nikdy nepoužívejte tento produkt, pokud je jakýmkoli způsobem poškozen nebo vykazuje známky opotřebení.

- ✿ Dvakrát zkontrolujte správné připevnění příslušenství a doplňků.
- ✿ Tento produkt držte vždy za jeho rukojeť. Udržujte rukojeť v suchu, aby byla zajištěna bezpečná podpora.
- ✿ Zajistěte, aby byly otvory pro vzduch vždy volné a čisté. V případě potřeby je očistěte jemným kartáčem. Zablkované otvory pro vzduch mohou způsobit přehřátí a poškození produktu.
- ✿ Pokud jste během práce vyrušeni osobami, které vstoupily na pracoviště, produkt okamžitě vypněte. Před odstavením nechte produkt vždy zcela zastavit.
- ✿ Nenakládejte si příliš mnoho práce. Dělejte pravidelné přestávky, abyste se mohli koncentrovat na práci a měli nad produktem vždy plnou kontrolu.

### Vyžínání

- ✿ Před použitím se ujistěte, že je odstraněn chránič nože (11d), že je kolečko vyžinače (13) připevněno k použití a že je připojen akumulátor (16).
- ✿ Nastavte úhel hlavní rukojeti (1) na 0° pro vyžínání.
- ✿ Produkt pevně držte tak, aby mezi produktem a vaším bokem zůstala mezera.
- ✿ Stůjte vzpřímeně, nenaklánějte se dopředu a věnujte pozornost vašemu postoji. Stůjte rozkročení, abyste si udrželi stabilitu.
- ✿ Držte strunovou hlavu (12) těsně nad zemí pod úhlem přibližně 30° (obr. 15).
- ✿ Udělejte produktem pomalý pravidelný oblouk zleva doprava a před vyžínáním další oblasti jej přesuňte zpět do počáteční polohy (obr. 16).

Obr. 15

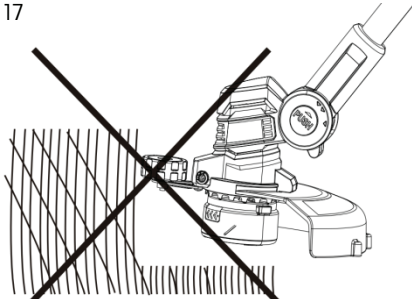


Obr. 16

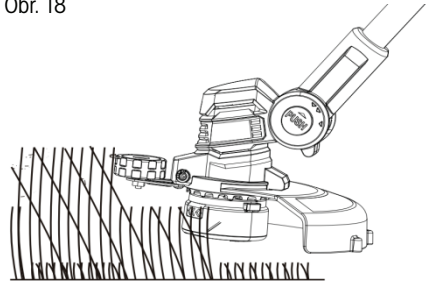


- ✿ Zajistěte, aby sekací zařízení zůstalo čisté a bez odřezků, které by jej mohly ucpat. Pravidelně provádějte kontrolu. Před kontrolou uvolněte vypínač (2) a vyjměte akumulátor (16).
- ✿ Delší trávu vyžijte postupně; nesekejte dlouhou trávu najednou (obr. 17). Nejlepších výsledků dosáhnete při sekání delší trávy po krocích (obr. 18).

Obr. 17



Obr. 18



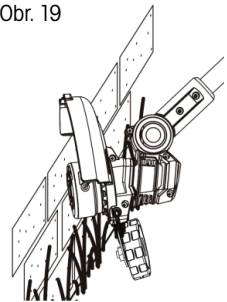
### Sekání okrajů

- ☛ Před použitím se ujistěte, že je odstraněn chránič nože (11d), že je kolečko vyžinače (13) připevněno k použití a že je připojen akumulátor (16).
- ☛ Pro sekání okrajů nastavte úhel hlavní rukojeti (1) na 180° (obr. 19).

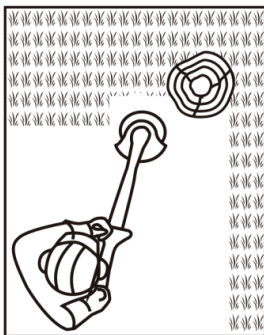
### Tipy

- ☛ Chcete-li dosáhnout co nejlepších výsledků, nesekejte mokrou trávu, protože mokrá posekaná tráva má tendenci se nalepovat na sekací hlavu a kryt, což zabraňuje správnému vyhazování posekané trávy, a přitom může dojít také k uklouznutí a pádu.
- ☛ Nedovolte, aby byl kryt cívký vlečen po zemi nebo jiných površích.
- ☛ Věnujte speciální pozornost sekání prováděnému v blízkosti stromů a keřů. Sekací hlava by mohla poškodit citlivou kůru nebo by mohla poškodit sloupky plotu.
- ☛ Nastavte kolečko vyžinače do polohy pro vyžínání / sekání okrajů tak, aby se sekací zařízení nedostalo do kontaktu s tvrdými předměty, jako jsou například stěny a obrubníky (obr. 20, 21).

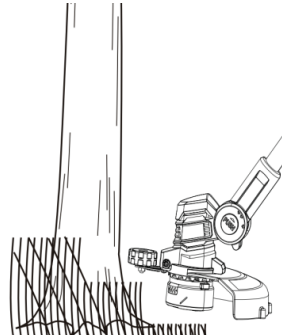
Obr. 19



Obr. 20



Obr. 21



**POZNÁMKA:** Vyžínací struna se rychleji opotřebuje a budete ji muset častěji měnit při sekání podél chodníků nebo jiných drsných povrchů, nebo když sekáte silnější plevel.

**POZNÁMKA:** Během vyžínání se může sekací zařízení zablokovat trávou nebo nerovným povrchem. V takovém případě se produkt v důsledku nadměrného proudu automaticky vypne. V této situaci uvolněte na minimálně 3 s vypínač a pak jej opět stiskněte pro pokračování ve vyžínání.

### Posouvání struny

Během používání se hrot vyžínací struny v důsledku opotřebení zkracuje a vyžínací struna se může ulomit. Pravidelně kontrolujte stav vyžínací struny (12d) a v případě potřeby ji posuňte.



**VAROVÁNÍ!** Před kontrolou, údržbou a čištěním vždy produkt vypněte, vyjměte akumulátor a nechte produkt vychladnout!



**POZNÁMKA:** Tento produkt je vybaven hlavou s automatickým posuvem. Nenarážejte strunovou hlavou do země, aby nedošlo k poškození produktu.

### Ruční posouvání

- \* Otočte strunovou hlavu (12) vzhůru nohama.
- \* Stiskněte uvolňovací tlačítko (12g), zatímco taháte za vyžínací strunu (12d). Ze strunové cívky (12c) se uvolní vyžínací struna (obr. 22).
- \* Opakujte tento postup, dokud se opotřebovaná část vyžínací struny (12d) nedostane za nůž (11b).
- \* Připevněte akumulátor a používejte produkt uvedeným způsobem. Nadbytečná struna bude nožem (11b) odřezána a měla by vždy zůstat pod ochranným krytem (11).



**VAROVÁNÍ!** Vyžínací struna bude odmrštěna! Nebezpečí zranění zejména pro přihlížející osoby!



### Automatické posouvání

U spuštěného produktu uvolněte vypínač (2) pro kompletní zastavení. Stiskněte vypínač (2) pro spuštění produktu.

**POZNÁMKA:** Vyžínací struna se při každém zastavení a spuštění posune o přibližně 3–5 mm, dokud tato struna nedosáhne nože. Vyvarujte se častého zapínání a vypínání, protože vyžínací struna by se mohla neúmyslně automaticky posouvat a díky tomu rychle spotřebovat.

### Po ukončení používání

- \* Vypněte produkt, vyjměte akumulátor a nechte produkt vychladnout.
- \* V případě potřeby připevněte chránič nože (11d).
- \* Produkt zkontrolujte, očistěte a uložte níže uvedeným způsobem.

### Pravidla správné údržby



**VAROVÁNÍ!** Před kontrolou, údržbou a čištěním vždy produkt vypněte, vyjměte akumulátor a nechte produkt vychladnout!



- \* Udržujte produkt čistý. Po každém použití a před skladováním z něj odstraňte úlomky.
- \* Pravidelné a správné čištění přispívá k bezpečnému provozu a prodlužuje životnost produktu.
- \* Před každým použitím zkontrolujte, zda nemá produkt opotřebované nebo poškozené díly. V případě rozbitých nebo opotřebovaných dílů produkt nepoužívejte.



**VAROVÁNÍ!** Opravy a údržbu provádějte pouze podle těchto pokynů! Veškeré další práce musí být prováděny kvalifikovanými odborníky!

### Obecné informace o čištění

- ☼ Očistěte produkt navlhčeným hadříkem a pH-neutrálním mýdlem. Špatně dosažitelná místa očistěte pomocí kartáče.
- ☼ Obtížně odstranitelný prach odstraňte vysokořtlakým vzduchem (max. 3 bary).

**POZNÁMKA:** Při čištění tohoto produktu nepoužívejte chemikálie, alkalické, brusné nebo jiné agresivní čisticí nebo dezinfekční prostředky, které by mohly poškodit jeho povrch.

- ☼ Kontrolou vyhledejte opotřebované nebo poškozené díly. Před opětovným použitím produktu vyměňte podle potřeby opotřebované díly nebo požádejte autorizované servisní středisko o opravu.

### Ochranný kryt

- ☼ Udržujte ochranný kryt (11) čistý a zbavený úlomků. Odstraňte odřezky.
- ☼ Jestliže je ochranný kryt (11) opotřebovaný nebo poškozený, nahraďte jej krytem stejného typu.

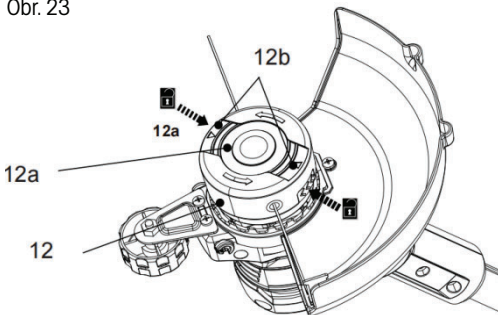
### Vyžínací struna

Výměna strunové cívky.

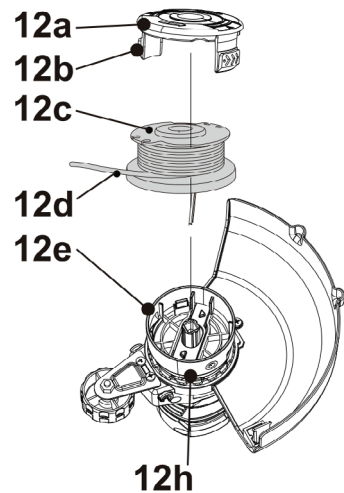
Když je strunová cívka prázdná nebo opotřebovaná, vyměňte ji.

- ☼ Otočte produkt vzhůru nohama, abyste se dostali k vyžínací struně.
- ☼ Držte strunovou hlavu (12) pevně jednou rukou. Stiskněte uvolňovací západky (12b) po obou stranách a pak zvedněte kryt (12a) a odstraňte jej (obr. 23).
- ☼ Odstraňte strunovou cívku (12c) z krytu (12e) (obr. 24).

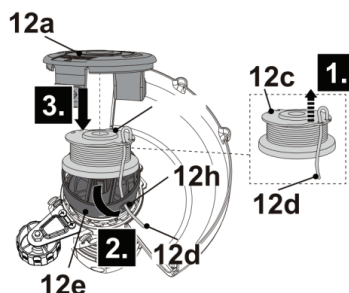
Obr. 23



Obr. 24



- ✿ Před vložením nové cívky (12c) stejného typu očistěte kryt (12e). Obr. 25
- ✿ Vytáhněte z nové cívky strunu o délce přibl. 12 cm.
- ✿ Uvolněte vyžínací strunu (12d) ze zářezů a podržte ji. Nedovolte, aby se vyžínací struna (12d) uvolnila ze strunové cívky (12c) (obr. 25, krok 1).
- ✿ Provléčte konec vyžínací struny (12d) očkem (12h) v krytu (12e) (obr. 25, krok 2).
- ✿ Vložte strunovou cívku (12c) do krytu (12e) (obr. 25, krok 3). Otočte strunovou cívkou (12c) tak, aby zacvakla do správné polohy.
- ✿ Znovu připevňte kryt (12a) a zajistěte, aby zacvaknul do správné polohy.



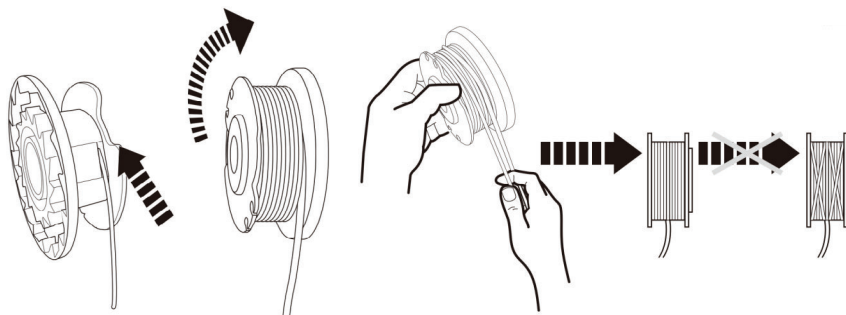
### Doplnění vyžínací struny do strunové cívky

- ✿ Otočte produkt vzhůru nohama, abyste se dostali k vyžínací struně.
- ✿ Držte strunovou hlavu (12) pevně jednou rukou. Stiskněte uvolňovací západky (12b) po obou stranách a odstraňte kryt (12a).
- ✿ Vyjměte strunovou cívku (12c) z krytu (12e).
- ✿ Zlikvidujte zbývající strunu (12d) ze strunové cívky (12c).
- ✿ Očistěte kryt (12e) a strunovou cívku (12c).
- ✿ Odřezte novou vyžínací strunu o délce 4 m s cívkou (12c) ve směru šipek (obr. 26).
- ✿ Protáhněte jeden konec nové vyžínací struny (12d) malým očkem na strunové cívce (12c) ve směru šipek (obr. 26).
- ✿ Natáhněte vyžínací strunu (12d) a přehněte ji (obr. 27).
- ✿ Naviňte celou vyžínací strunu (12d) pevně kolem cívky ve směru šipek na strunové cívce (12c) (obr. 28).

Obr. 26

Obr. 27

Obr. 28



### Skladování

- ✿ Vypněte produkt a odstraňte z něj akumulátor.
- ✿ Očistěte produkt výše popsaným způsobem.
- ✿ V případě potřeby přemístěte kolečko vyžínáče (13) do skladovací polohy.
- ✿ Uskladněte produkt a jeho příslušenství na tmavém, suchém a dobře větraném místě chráněném před mrazem.
- ✿ Vždy uskladněte produkt na místě, kam nemají přístup děti. Ideální skladovací teplota je v rozsahu 10 °C až 30 °C.

- ☼ Doporučujeme vám používat pro skladování originální balení nebo zakrýt produkt vhodným hadříkem nebo krytem chránícím před prachem.

### Přeprava

- ☼ Vypněte produkt a odstraňte z něj akumulátor.
- ☼ V případě potřeby připevněte chránič nože (11d).
- ☼ V případě potřeby přemístěte kolečko vyžinače (13) do skladovací polohy.
- ☼ Tento produkt držte vždy za jeho rukojeť (1, 15).
- ☼ Chraňte produkt před silnými nárazy nebo vibracemi, které se mohou objevit při přepravě produktu ve vozidlech.
- ☼ Zajistěte produkt tak, aby nemohl vyklouznout nebo spadnout.

## 5. BEZPEČNOSTNÍ POKYNY

**⚠ POZOR! Před zahájením práce s touto akumulátorovou strunovou sekačkou si přečtěte následující pokyny týkající se bezpečnosti a způsobu použití. Důkladně se seznamte s ovládacími prvky a správným používáním tohoto zařízení. Uchovejte tuto uživatelskou příručku na bezpečném místě, kde ji budete moci v případě potřeby snadno najít.**

### Bezpečnostní pokyny týkající se vaší nové strunové sekačky

- ☼ Při práci s tímto nářadím používejte vhodné ochranné brýle.
- ☼ Při práci s tímto nářadím používejte vhodné bezpečnostní rukavice.
- ☼ Nevystavujte toto nářadí dešti a vlhku.
- ☼ Důkladně se seznamte s obsluhou a správným použitím vaší strunové sekačky.
- ☼ Nesvěřujte obsluhu strunové sekačky dětem. Všechny osoby, které budou s touto strunovou sekačkou pracovat, musí být dobře seznámeny s obsahem uživatelské příručky.
- ☼ Při práci zajistěte, aby se ostatní osoby (především děti) a zvířata zdržovaly mimo dosah této strunové sekačky, protože posekaná tráva může obsahovat kameny nebo úlomky. Objeví-li se v blízkosti pracovní plochy děti, dospělí osoby nebo zvířata, zastavte tuto strunovou sekačku.
- ☼ Zajistěte, aby se ostatní osoby (zejména děti) a zvířata zdržovaly mimo dosah, tedy ve vzdálenosti alespoň 15 m od pracovního prostoru.
- ☼ Pracujte pouze při dostatečném osvětlení.
- ☼ Před každým použitím po nárazu sekačky proveďte prosím kontrolu zaměřenou na jakékoli známky poškození a v případě potřeby zajistěte provedení opravy.  
Nepoužívejte tuto strunovou sekačku, je-li poškozená nebo není-li zaručena bezpečnost jejího provozu.
- ☼ V pravidelných intervalech a zejména před každým použitím kontrolujte stav strunové sekačky (zejména utažení všech šroubů a matic a připevnění bezpečnostního krytu). Strunová sekačka, která není v dobrém stavu, nemůže být používána bezpečným způsobem.
- ☼ Během sekání musí být trvale připevněn ochranný kryt.
- ☼ Nepoužívejte tuto sekačku na trávu, má-li poškozený kryt.
- ☼ Před zapnutím této strunové sekačky se ujistěte, že se nylonová řezná hrana nedotýká země, kamenů nebo jiných předmětů.
- ☼ Udržujte své ruce a chodidla v dostatečné vzdálenosti od rotující struny, zejména po spuštění motoru.
- ☼ Chraňte se před zraněním, které může být způsobeno rotující strunou, a mějte přítom na paměti, že otáčení struny může pokračovat určitou dobu i po vypnutí tohoto nářadí. Po prodloužení struny vraťte tuto sekačku do její původní pracovní polohy.

- ✿ Pro sekání trávy nepoužívejte kovové vyžínací struny.
- ✿ Vždy používejte pouze originální náhradní díly.
- ✿ Před zahájením čištění či údržby nebo po ukončení používání strunové sekačky vždy odpojte akumulátor.
- ✿ Zajistěte, aby byly větrací otvory stále čisté.
- ✿ Zabraňte náhodnému spuštění strunové sekačky. Nikdy strunovou sekačku nepřenášejte s prstem na jejím spouštěcím spínači.
- ✿ Při obsluze této strunové sekačky se ujistěte, zda se tato sekačka nachází v bezpečné a stabilní poloze.
- ✿ Před spuštěním strunové sekačky zkontrolujte pracovní oblast a odstraňte z ní dráty, kameny, úlomky atd.
- ✿ Neprovádějte sekání proti tvrdým předmětům. Následkem by mohlo být zranění osob nebo poškození této sekačky.

**⚠ POZOR!** Pohybující se části rotují ještě po určitou dobu i po vypnutí této strunové sekačky.

- ✿ Nepokoušejte se zastavovat (nylonovou) strunu rukama! Umožněte doběh vyžínací struny její vlastní setrvačností.
- ✿ Tuto strunovou sekačku nepoužívejte pro sekání trávy, která není v kontaktu se zemí, jako například trávy rostoucí na skalkách, stěních atd.
- ✿ Dokud se vyžínací struna ještě stále otáčí, nepřibližujte sekačku k dlážděným plochám, štěrkovým chodníkům atd.

## Bezpečnostní pokyny pro baterii a nabíječku

### Baterie

- ✿ Tuto baterii nikdy nerozebírejte.
- ✿ Nevystavujte tuto baterii působení vody.
- ✿ Nevhazujte baterie do ohně, protože v takovém případě hrozí nebezpečí výbuchu!
- ✿ Neskladujte baterie na místech, kde by teplota mohla přesáhnout 40 °C.
- ✿ Po dokončení nabíjení nenechávejte baterii v nabíječce. V opačném případě by mohlo dojít k úniku elektrolytu z baterie.
- ✿ Nabíjení provádějte pouze při pokojové teplotě.
- ✿ K nabíjení baterie používejte pouze originální nabíječku, která byla dodána s nářadím.
- ✿ Před nabíjením zkontrolujte, zda je baterie suchá a čistá.
- ✿ Používejte pouze typy baterií, které jsou schváleny výrobcem tohoto nářadí.
- ✿ Likvidaci baterie neprovádějte společně s běžným domácím odpadem, ale odevzdejte ji v příslušném sběrném středisku.
- ✿ V extrémních podmínkách existuje nebezpečí úniku elektrolytu z baterie. Dojde-li k úniku elektrolytu, postupujte následujícím způsobem:
  - Elektrolyt opatrně setřete pomocí suchého hadříku. Zamezte kontaktu s pokožkou.
  - Dojde-li ke styku s pokožkou nebo k zasažení očí, postupujte podle níže uvedených pokynů.
- ✿ Baterie obsahuje roztok hydroxidu draselného s koncentrací 25–30 %, který může mít škodlivé účinky. Dojde-li ke styku s pokožkou, ihned proveďte opláchnutí pomocí velkého množství vody. Zasažené místo zneutralizujte slabou kyselinou, například citrónovou šťávou nebo octem. V případě zasažení očí proveďte důkladné vypláchnutí vodou (po dobu alespoň 10 minut) a vyhledejte lékařské ošetření.

**📖 POZNÁMKA:** Použity jsou baterie typu Li-Ion. Baterie nevyhazujte do domovního odpadu, ohně nebo vody. Tyto baterie musí být likvidovány způsobem, který neohrožuje životní prostředí.

## Nabíječka

- ✿ Nikdy nevyměňujte žádný elektrický kabel, protože by mohlo dojít k zranění!
- ✿ Nabíječku používejte pouze k nabíjení originálních baterií, které byly dodány s tímto výrobkem. Při nabíjení baterie odlišného typu hrozí nebezpečí samovznícení, vážného zranění osob a vzniku škod na majetku.
- ✿ Bezprostředně po sobě mohou být nabíjeny pouze dvě baterie, v opačném případě by mohlo dojít k přehřátí nabíječky. Před novým nabíjením nechejte tuto nabíječku vychladnout.
- ✿ Po dokončení postupu nabíjení odpojte nabíječku od síťové zásuvky a vyjměte baterii.
- ✿ Nenechávejte baterii v nabíječce.
- ✿ Při přenášení nabíječku nedržte za kabel nebo zástrčku. Při odpojování napájecího kabelu nabíječky od síťové zásuvky netahejte za samotný kabel, ale za jeho zástrčku. Zajistěte ochranu nabíječky před teplem a před stykem s ostrými předměty.
- ✿ Nikdy se nepokoušejte nabíjet baterie, které nejsou určeny k nabíjení.
- ✿ Nabíječku nikdy nepoužívejte, je-li její kabel jakkoli poškozený.
- ✿ Nevystavujte nabíječku vodě nebo dešti a nepoužívejte ji v mokřém prostředí.
- ✿ Neodstraňujte kryt nabíječky.
- ✿ Nabíječku nerozebírejte.
- ✿ Nabíječku nepoužívejte ve venkovním prostředí, protože je určena pouze k používání uvnitř místnosti.

## 6. TECHNICKÉ ÚDAJE

Č. MODELU	FZS 70105-0
Jmenovité napětí	18 V
Jmenovité otáčky naprázdno n0	8000 min <sup>-1</sup>
Šířka záběru	23 cm
Vyžínací struna	Nemetalická, Ø 1,6 mm, délka 4 m
Třída ochrany	III
Hmotnost	přibl. 1,3 kg
Rozměry	přibl. 1100 × 240 × 320 mm

### Příslušenství

Číslo položky	Příslušenství
FDUZ 79020	Akumulátor 2 Ah
FDUZ 79040	Akumulátor 4 Ah
FDUZ 79100	Rychlá nabíječka
FDUZ 79110	Rychlá duální nabíječka

Zvukové hodnoty byly určeny podle předpisu pro testování hlučnosti v EN 50636-2-91, s využitím základních norem EN ISO 11201 a EN ISO 3744.

Úroveň intenzity zvuku u operátora může přesáhnout 80 dB (A) a jsou nezbytná opatření na ochranu sluchu.

## 7. ÚDRŽBA A SKLADOVÁNÍ

### Údržba

- ✿ Po ukončení práce vyjměte ze strunové sekačky baterii.
- ✿ Používejte pouze náhradní díly a příslušenství schválené výrobcem.
- ✿ Aby byl zajištěn perfektní stav této strunové sekačky, ukládejte prosím její části – cívky – do uzavíratelného sáčku.
- ✿ Před čištěním vyjměte z tohoto nářadí baterii. Při čištění používejte pouze hadřík navlhčený ve vodě (můžete také použít mýdlový roztok). Nikdy neponořujte tuto strunovou sekačku do vody. Nikdy neoplachujte tuto strunovou sekačku proudem vody (například ze zahradní hadice). Do tohoto nářadí se nesmí dostat žádná voda. Nečistěte toto nářadí tlakovou myčkou.
- ✿ Zkracovací nůž na okrajích krytu se může časem otupit. Doporučujeme vám provádět pravidelnou kontrolu ostrosti tohoto nože.

### Skladování

- ✿ Ukládejte tuto strunovou sekačku pouze na suchém místě.
- ✿ Nepokládejte na toto nářadí žádné předměty.
- ✿ Na konci sezóny proveďte celkovou prohlídku této strunové sekačky a odstraňte nahromaděné zbytky posekané trávy.
- ✿ Je-li nutné provedení opravy, kontaktujte prosím autorizovaný servis nebo prodejce.

## 8. ODSTRAŇOVÁNÍ ZÁVAD

Závada/porucha	Příčina	Řešení
Výrobek není funkční	Není vybitá baterie?	Nabijte baterii.
	Je baterie v nářadí správně usazena?	Znovu vložte akumulátor do nářadí.
	Je nářadí poškozeno?	Kontaktujte autorizovaný servis.
Nářadí vibruje	Je nářadí čisté? Není v strunové cívce a v bezpečnostním krytu nahromaděno větší množství trávy?	Očistěte nářadí, odstraňte zbytky posekané trávy nacházející se mezi strunovou cívkou a bezpečnostním krytem.
	Byla strunová cívka vložena do nářadí správně?	Vložte strunovou cívku správně do nářadí.

## 9. LIKVIDACE



Toto zařízení, dobíjecí baterie, příslušenství a obaly musí být rozříděny, aby byla zajištěna jejich ekologická recyklace.

Nevyhazujte elektrické nářadí a baterie nebo nabíjecí baterie do běžného domácího odpadu!

### Pouze pro země Evropské unie:



Podle evropské směrnice 2012/19/EU a v souladu s evropskou směrnicí 2006/66/ES musí být elektrické nářadí, které již není použitelné, a vadné nebo použité akumulátory/baterie rozříděny odděleně a zlikvidovány tak, aby nedošlo k ohrožení životního prostředí.

#### POKYNY A INFORMACE K LIKVIDACI VYŘAZENÝCH OBALŮ.

Odevzdejte veškerý použitý obalový materiál na místě, které je určeno místními úřady pro likvidaci odpadu.

#### LIKVIDACE VYŘAZENÝCH ELEKTRICKÝCH A ELEKTRONICKÝCH ZAŘÍZENÍ



Tento symbol na produktech nebo v příložené dokumentaci znamená, že vyřazené elektrické nebo elektronické produkty nesmí být vyhazovány do běžného komunálního odpadu.

Odevzdejte tyto produkty na určených sběrných místech, kde bude provedena jejich správná likvidace, obnovení a recyklace. V některých státech Evropské unie nebo v některých evropských zemích můžete při nákupu odpovídajícího nového produktu vrátit vaše produkty místnímu prodejci. Správnou likvidací tohoto produktu pomáháte chránit cenné přírodní zdroje a zabráníte možným negativním dopadům na životní prostředí a lidské zdraví, ke kterým by mohlo dojít v důsledku nesprávné likvidace odpadu. Další podrobnosti vám poskytnou místní úřady nebo nejbližší sběrný dvůr. V případě nesprávné likvidace tohoto druhu odpadu mohou být uloženy pokuty v souladu s platnými národními předpisy.

#### Pro společnosti v zemích Evropské unie

Chcete-li zlikvidovat elektrická nebo elektronická zařízení, vyžádejte si potřebné informace od vašeho prodejce.

#### Likvidace v zemích mimo Evropskou unii

Chcete-li tento výrobek zlikvidovat, požádejte místní úřady nebo prodejce o nezbytné informace o způsobu likvidace.



Tento výrobek splňuje všechny základní požadavky všech příslušných směrnic EU.

Text, design a technické specifikace se mohou změnit bez předchozího upozornění a vyhrajujeme si právo na provádění těchto změn.

Uživatelská příručka v originálním jazyce.



# 10. PROHLÁŠENÍ O SHODĚ

# FAST®

FAST ČR, a.s.  
U Sanitasy 1621, 251 01 Říčany, Czech Republic  
tel.: +420 323 204 111, fax: +420 323 204 110

## EU PROHLÁŠENÍ O SHODĚ

**Produkt/ značka:** Akumulátorová strunová sekačka / **FIELDMANN**

**Typ/ model:** **FZS 70101-0** jako výrobní model L05-001A  
DC 18V (baterie); šířka 230mm; Třída III; IPX0  
naměřená hladina akustického výkonu:  $L_{PA} = 68,3$  dB(A)  
garantovaná hladina akustického výkonu:  $L_{WA} = 88$  dB(A)

**Výrobce:** FAST ČR, a.s.  
U Sanitasy 1621, 251 01 Říčany, Czech Republic  
VAT no: CZ24777749

Toto prohlášení o shodě se vydává na výhradní odpovědnost výrobce.

Předmět výše popsaného prohlášení je v souladu s příslušnými harmonizačními právními předpisy Unie:

Směrnice MD 2006/42/EC      Směrnice EMC 2014/30/EU  
Směrnice NEOE 2000/14/EC      Směrnice RoHS 2011/65/EU

Příslušné harmonizované normy a další technické specifikace:

EN 60335-1:2012+AC+A11+A13+A1+A14+A2      EN 55014-1:2017+A11  
EN 50636-2-91:2014      EN 55014-2:2015  
EN 62233:2008+AC



**Místo vydání:** Praha  
**Datum vydání:** 30. 09. 2022

**Jméno:** Petr Uher – Odpovědná osoba  
**Podpis:**

**FAST** FAST ČR, a.s.  
U Sanitasy 1621, 251 01 Říčany  
tel.: +420 323 204 111  
IČO: 247 77 749, DIČ: CZ 247 77 749

IČO:24777749, DIČ:CZ24777749

Bankovní spojení: Komerční banka Praha 1, č.ú. 89309011/0100, ČSOB Praha 1, č.ú. 8010-0116233383/0300  
Česká spořitelna Praha 4, č.ú. 2375682/0800



# Akumulátorová strunová kosačka

## POUŽÍVATEĽSKÁ PRÍRUČKA

**Ďakujeme vám za kúpu tejto záhradnej akumulátorovej strunovej kosačky. Pred jej použitím si, prosím, starostlivo prečítajte túto používateľskú príručku a uschovejte ju na neskoršie použitie.**

### OBSAH

1. VŠEOBECNÉ BEZPEČNOSTNÉ PREDPISY .....	44
2. SYMBOLY.....	45
3. OPIS NÁRADIA.....	46
4. ZOSTAVENIE A OVLÁDANIE .....	46
5. BEZPEČNOSTNÉ POKYNY.....	55
6. TECHNICKÉ ÚDAJE .....	58
7. ÚDRŽBA A SKLADOVANIE.....	59
8. ODSTRAŇOVANIE PORÚCH .....	59
9. LIKVIDÁCIA.....	60
10. VYHLÁSENIE O ZHODE .....	61

# 1. VŠEOBECNÉ BEZPEČNOSTNÉ PREDPISY

## Dôležité bezpečnostné upozornenia

- ✿ Výrobok opatrne vybalte a dávajte pritom pozor, aby z obalu nevypadla žiadna súčasť výrobku, kým nebude skontrolovaná úplnosť dodávky.
- ✿ Skladujte túto strunovú kosačku na suchom mieste mimo dosahu deťí.
- ✿ Prečítajte si všetky varovania a pokyny. Nedodržovanie týchto varovaní a pokynov môže mať za následok úraz elektrickým prúdom, požiar a/alebo vážne zranenia.


## Balenie

Obal tohto výrobku zabraňuje jeho poškodeniu počas prepravy. Tento obal predstavuje druhotnú surovinu, ktorá sa môže recyklovať.

## Používateľská príručka

Pred začatím práce s touto strunovou kosačkou si prečítajte nasledujúce pokyny týkajúce sa bezpečnosti a spôsobu používania. Dôkladne sa oboznámte s ovládacími prvkami a správnym používaním tohto zariadenia. Uchovajte túto používateľskú príručku na bezpečnom mieste, kde ju budete môcť v prípade potreby ľahko nájsť. Aspoň počas platnosti záruky uchovajte originálny obal vrátane vnútorného obalového materiálu, záručného listu a dokladu o kúpe.

Ak potrebujete toto náradie prepraviť na iné miesto, zabalte ho do originálnej lepenkovej škatule, aby bola zaistená jeho maximálna ochrana počas manipulácie a prepravy (napríklad pri sťahovaní alebo pri odosielaní tohto výrobku s cieľom vykonania opravy).

 **Poznámka:** Ak budete toto náradie odovzdávať niekomu inému, priložte k nemu aj túto používateľskú príručku.

Dodržovanie pokynov uvedených v priloženej používateľskej príručke je nevyhnutným predpokladom správneho spôsobu používania tejto strunovej kosačky.

Okrem návodu na obsluhu obsahuje používateľská príručka aj pokyny na vykonávanie údržby a opráv.

**Výrobca nepreberá zodpovednosť za nehody alebo škody spôsobené nedodržaním týchto pokynov.**

## 2. SYMBOLY



V prípade nedodržania pokynov hrozí nebezpečenstvo zranenia.



### **Nebezpečenstvo zranenia!**

Dávajte pozor na vymrštené predmety.  
Zabráňte prístupu nepovolaných osôb.



### **Udržujte ostatné osoby v bezpečnej vzdialenosti!**

**VAROVANIE!** Pri práci s týmto zariadením dávajte pozor, aby sa v jeho blízkosti nenachádzali žiadne iné osoby (bezpečná vzdialenosť: 5 m).  
To platí najmä pre deti a zvieratá.



Pred použitím tohto náradia si pozorne prečítajte návod na obsluhu.



Chráňte toto náradie pred vlhkosťou a nikdy ho nenechávajte na daždi!



Zaručená úroveň akustického výkonu  $L_{wa}$  88 dB (A)



Používajte ochranu sluchu



Používajte ochranu zraku

## 3. OPIS NÁRADIA

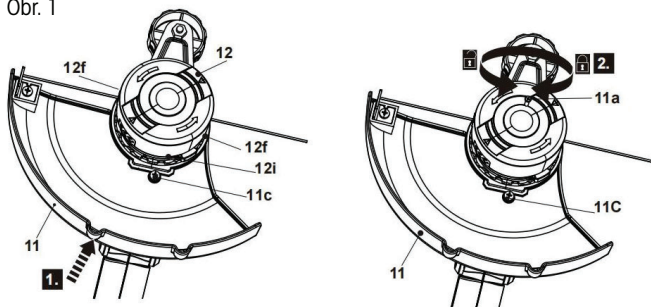
**Opis náradia** (pozrite obr. 1)

1. Hlavná rukoväť
2. Vypínač
3. Zadný ochranný kryt
4. Dokovací port batérie
5. Horná tyč
6. Odísťovacie tlačidlo na nastavenie uhla
7. Upínacie puzdro na nastavenie dĺžky
8. Dolná tyč
9. Podpora tyče
10. Odísťovacie tlačidlo na nastavenie sklonu
  - a. Indikačný trojuholník\*
11. Ochranný kryt
  - a. Skrutka\*
  - b. Nôž
  - c. Otvor na skrutku\*
  - d. Chránič noža\*
12. Strunová hlava
  - a. Kryt
  - b. Uvoľňovacia západka (×2)
  - c. Strunová cievka
  - d. Vyžínacia struna
  - e. Kryt
  - f. Posuvná štrbina (×2)\*
  - g. Uvoľňovacie tlačidlo
  - h. Očko
  - c. Otvor na skrutku\*
13. Skrutka kolieska vyžínača (×2)\*
14. Ventiláčné otvory
15. Prídavná rukoväť
  - a. Zaisťovacie tlačidlo
16. Akumulátor (nie je súčasťou príslušenstva)
17. Nabíjačka (nie je súčasťou príslušenstva)

## 4. ZOSTAVENIE A OVLÁDANIE

1. Otočte strunovú hlavu (12) hore nohami.
2. Vyrovnajte dva hroty ochranného krytu (11) s posuvnými štrbinami (12f) strunovej hlavy (12) (obr. 1, krok 1). Vložte ochranný kryt (11) až na doraz a zaisťte, aby boli otvory na skrutky (11c, 12i) správne zarovnané.
3. Zaisťte kryt (11) otáčaním skrutky (11a) v smere hodinových ručičiek (obr. 1, krok 2).

Obr. 1



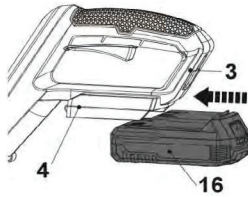
### **VAROVANIE!**

Nikdy nepoužívajte strunovú hlavu (12) bez riadne pripevneného ochranného krytu (11).

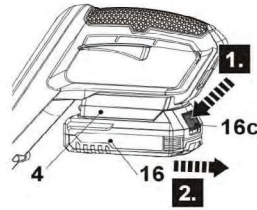
### Pripevnenie/uvolnenie akumulátora

- ✿ Vyrovnajte akumulátor (16) s posuvnými štrbinami dokovacieho portu akumulátora (4) pod zadným ochranným krytom (3) a zasunutím akumulátor pripevníte. Uistite sa, že zacvakol do správnej polohy (obr. 2).
- ✿ Stlačte uvoľňovacie tlačidlo (16c) a vyberte akumulátor (16) z dokovacieho portu akumulátora (4) (obr. 3).

Obr. 2



Obr. 3



### Nabíjanie akumulátora

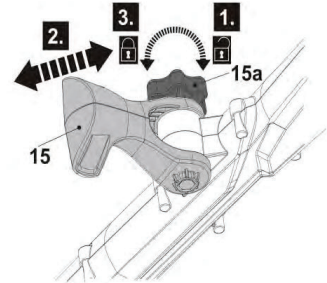
- ✿ Akumulátor (16) pre tento produkt sa expeduje v stave nízkeho nabitia.

### Nastavenie pomocnej rukoväti

Upravte uhol pomocnej rukoväti (15) podľa zamýšľaného spôsobu použitia.

- ✿ Uvoľníte zaistovacie tlačidlo (15a) otočením v smere hodinových ručičiek (obr. 5, krok 1) a potom otočením pomocnej rukoväti (15) dopredu alebo dozadu upravíte uhol (obr. 5, krok 2).
- ✿ Dotiahnutím zaistovacieho tlačidla (15a) otočením proti smeru hodinových ručičiek zaistíte nastavenú polohu pomocnej rukoväti (obr. 5, krok 3).

Obr. 5



### Nastavenie dĺžky

Nastavte dĺžku tyče podľa dĺžky vášho tela.

- ✿ Uvoľníte upínacie puzdro (7) otočením v smere hodinových ručičiek (obr. 6, krok 1).
- ✿ Vytiahnutím alebo zasunutím dolnej tyče (8) ju nastavte na požadovanú dĺžku (obr. 6, krok 2).
- ✿ Dotiahnite upínacie puzdro (7) otočením proti smeru hodinových ručičiek (obr. 6, krok 3).

Obr. 6

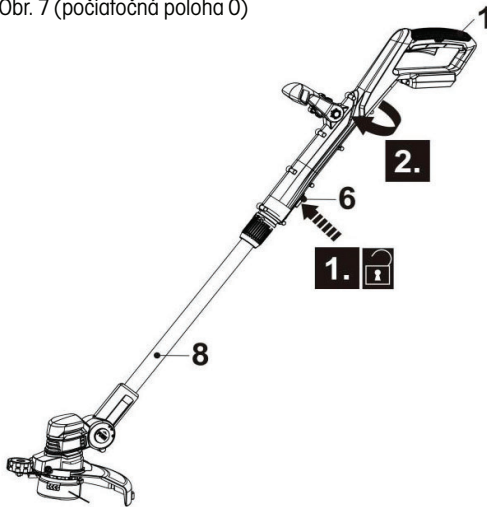


### Nastavenie uhla hlavnej rukoväťi

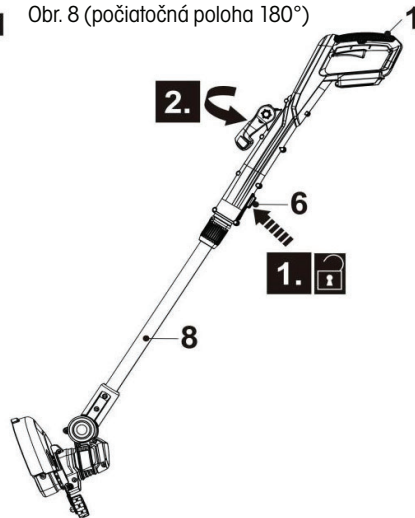
Nastavte hlavnú rukoväť (1) na  $0^\circ$  na vyžínanie alebo  $180^\circ$  na kosenie krajov.

- ☛ Stlačte odisťovacie tlačidlo (6) a otočte hlavnú rukoväť (1) v smere hodinových ručičiek, zatiaľ čo držíte dolnú tyč (8), na nastavenie strunovej hlavy (12) na uhol  $180^\circ$  (obr. 7). Uvoľnite zaisťovacie tlačidlo (6) a otáčajte hlavnú rukoväť (1), kým nezacvakne do správnej polohy. Uistite sa, že zaisťovacie tlačidlo (6) zacvaklo do správnej polohy.
- ☛ Stlačte odisťovacie tlačidlo (6) a otočte hlavnú rukoväť (1) proti smeru hodinových ručičiek, zatiaľ čo držíte dolnú tyč (8), na nastavenie strunovej hlavy (12) na uhol  $0^\circ$  (obr. 8). Uvoľnite zaisťovacie tlačidlo (6) a otáčajte hlavnú rukoväť (1), kým nezacvakne do správnej polohy. Uistite sa, že zaisťovacie tlačidlo (6) zacvaklo do správnej polohy.

Obr. 7 (počiatočná poloha  $0^\circ$ )



Obr. 8 (počiatočná poloha  $180^\circ$ )



**VAROVANIE!** Po nastavení hlavnej rukoväťi do niektorej z týchto koncových polôh sa vždy uistite, že zaisťovacie tlačidlo (6) zacvaklo do správnej polohy! Nikdy nenastavujte prostrednú polohu!

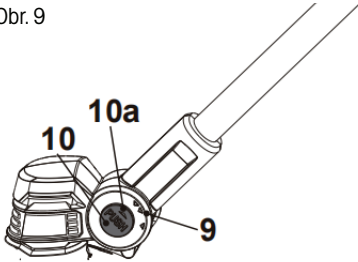
### Nastavenie sklonu strunovej hlavy

Nastavte uhol sklonu strunovej hlavy podľa podmienok terénu na vyžínanie alebo kosenie okrajov vyrovnaním indikačného trojuholníka (10a) na odisťovacom tlačidle (10) s niektorým z troch indikátorov podpory tyče (9) (obr. 9).

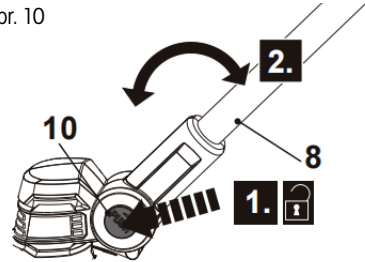
- ☛ Stlačte odisťovacie tlačidlo (10) a podržte ho v príslušnej polohe (obr. 10, krok 1).
- ☛ Posuňte dolnú tyč (8) mierne hore alebo dole (obr. 10, krok 2).
- ☛ Uvoľnite zaisťovacie tlačidlo (10) a pohybujte dolnou tyčou (8), kým nezacvakne do správnej polohy.



Obr. 9



Obr. 10



**VAROVANIE!** Po nastavení strunovej hlavy (12) do požadovanej polohy vždy zaistíte, aby odisovacie tlačidlo (10) zacvaklo do správnej polohy! Nikdy nenastavujte prostrednú polohu!

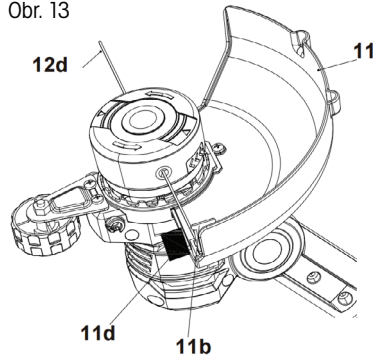
### Koliesko vyžinača

- ☛ Koliesko vyžinača (13) používajte na udržiavanie odstupe od prekážok, do ktorých by mohlo naraziť sekacie zariadenie.
- ☛ Koliesko vyžinača (13) používajte na kosenie trávy na okrajoch.

### Ochranný kryt

Ochranný kryt (11) chráni počas práce so zariadením obsluhu pred vymrštenými predmetmi. Je vybavený nožom (11b) na odrezávanie vyžínacej struny (12d) (obr. 13).

Obr. 13

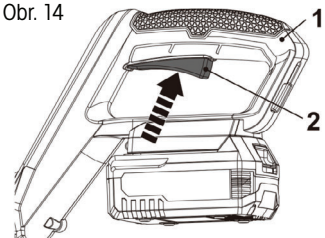


**POZNÁMKA:** Pred použitím vždy odstráňte ochranu noža (11d).

### Zapnutie/vypnutie

- ☛ Držte produkt jednou rukou za pomocnú rukoväť (15) a druhou rukou za hlavnú rukoväť (1).
- ☛ Stlačením vypínača (2) produkt zapnete (obr. 14).
- ☛ Uvoľnením vypínača (2) produkt vypnete.

Obr. 14



### Všeobecné ovládanie

- ☛ Pred každým použitím produktu skontrolujte, či nedošlo k poškodeniu tohto produktu, jeho akumulátora, nabíjačky alebo príslušenstva. Nikdy nepoužívajte tento produkt, ak je akýmkoľvek spôsobom poškodený alebo vykazuje známky opotrebenia.

- ✿ Dvakrát skontrolujte správne pripevnenie príslušenstva a doplnkov.
- ✿ Tento produkt držte vždy za jeho rukoväti. Udržujte rukoväti v suchu, aby bola zaistená bezpečná podpora.
- ✿ Zaistite, aby boli otvory na vzduch vždy voľné a čisté. V prípade potreby ich očistite jemnou kefou.
- ✿ Zablokované otvory na vzduch môžu spôsobiť prehriatie a poškodenie produktu.
- ✿ Ak ste počas práce vyrušení osobami, ktoré vstúpili na pracovisko, produkt okamžite vypnite. Pred odstavením nechajte produkt vždy celkom zastaviť.
- ✿ Nenakladajte si príliš mnoho práce. Robte pravidelné prestávky, aby ste sa mohli koncentrovať na prácu a mali nad produktom vždy plnú kontrolu.

### Vyžínanie

- ✿ Pred použitím sa uistite, že je odstránený chránič noža (11d), že je koliesko vyžínača (13) pripevnené na použitie a že je pripojený akumulátor (16).
- ✿ Nastavte uhol hlavnej rukoväti (1) na 0° na vyžínanie.
- ✿ Produkt pevne držte tak, aby medzi produktom a vaším bokom zostala medzera.
- ✿ Stojte vzpriamene, nenakláňajte sa dopredu a venujte pozornosť vášmu postoju. Stojte rozkročení, aby ste si udržali stabilitu.
- ✿ Držte strunovú hlavu (12) tesne nad zemou pod uhlom približne 30° (obr. 15).
- ✿ Urobte pomalý pravidelný oblúk zľava doprava a pred vyžínaním ďalšej oblasti ho presuňte späť do počiatočnej polohy (obr. 16).

Obr. 15

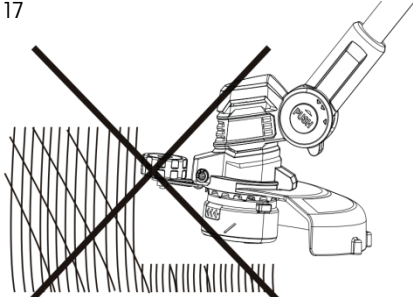


Obr. 16

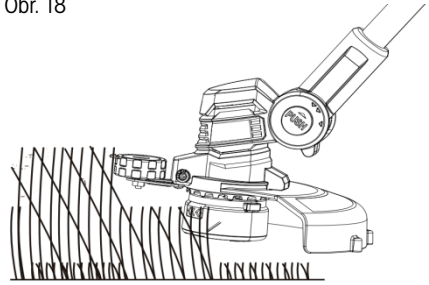


- ✿ Zaistite, aby sekacie zariadenie zostalo čisté a bez odrezkov, ktoré by ho mohli upchať. Pravidelne vykonávajte kontrolu. Pred kontrolou uvoľnite vypínač (2) a vyberte akumulátor (16).
- ✿ Dlhšiu trávu vyžínajte postupne; nekoste dlhú trávu naraz (obr. 17). Najlepšie výsledky dosiahnete pri kosení dlhšej trávy po krokoch (obr. 18).

Obr. 17



Obr. 18



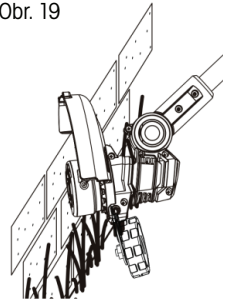
### Kosenie okrajov

- ☛ Pred použitím sa uistite, že je odstránený chránič noža (11d), že je koliesko vyžínacza (13) pripavené na použitie a že je pripojený akumulátor (16).
- ☛ Na kosenie okrajov nastavte uhol hlavnej rukoväti (1) na 180° (obr. 19).

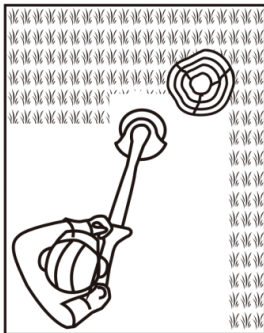
### Tipy

- ☛ Ak chcete dosiahnuť čo najlepšie výsledky, nekoste mokrá trávu, pretože mokrá pokosená tráva má tendenciu sa nalepovať na sekaciu hlavu a kryt, čo zabraňuje správne vyhadzovaniu pokosenej trávy, a pritom môže dôjsť aj k pošmyknutiu a pádu.
- ☛ Nedovoľte, aby sa kryt cievky vliekol po zemi alebo iných povrchoch.
- ☛ Venujte špeciálnu pozornosť koseniu vykonávanému v blízkosti stromov a kríkov. Sekacia hlava by mohla poškodiť citlivú kôru alebo by mohla poškodiť stípkiky plota.
- ☛ Nastavte koliesko vyžínacza do polohy na vyžínanie/kosenie okrajov tak, aby sa sekacie zariadenie nedostalo do kontaktu s tvrdými predmetmi, ako sú napríklad steny a obrubníky (obr. 20, 21).

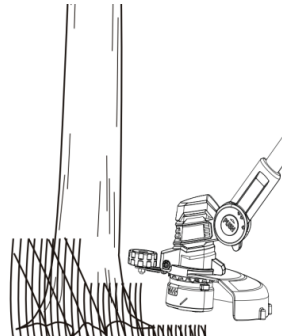
Obr. 19



Obr. 20



Obr. 21



**POZNÁMKA:** Vyžínacia struna sa rýchlejšie opotrebuje a budete ju musieť častejšie meniť pri kosení pozdĺž chodníkov alebo iných drsných povrchov, alebo keď kosíte hrubšiu burinu.

**POZNÁMKA:** Počas vyžínania sa môže sekacie zariadenie zablokovať trávou alebo nerovným povrchom. V takom prípade sa produkt v dôsledku nadmerného prúdu automaticky vypne. V tejto situácii uvoľníte na minimálne 3 s vypínač a potom ho opäť stlačíte na pokračovanie vo vyžínaní.

## Posúvanie struny

Počas používania sa hrot vyžínacej struny v dôsledku opotrebenia skracuje a vyžínacia struna sa môže odlomiť. Pravidelne kontrolujte stav vyžínacej struny (12d) a v prípade potreby ju posuňte.



**VAROVANIE!** Pred kontrolou, údržbou a čistením vždy produkt vypnite, vyberte akumulátor a nechajte produkt vychladnúť!



**POZNÁMKA:** Tento produkt je vybavený hlavou s automatickým posuvom. Nenarážajte strunovou hlavou do zeme, aby nedošlo k poškodeniu produktu.

## Ručné posúvanie

- Otočte strunovú hlavu (12) hore nohami.
- Stlačte uvoľňovacie tlačidlo (12g), zatiaľ čo ťaháte za vyžínaciu strunu (12d). Zo strunovej cievky (12c) sa uvoľní vyžínacia struna (obr. 22).
- Opakujte tento postup, kým sa opotrebovaná časť vyžínacej struny (12d) nedostane za nôž (11b).
- Pripevnite akumulátor a používajte produkt uvedeným spôsobom. Nadbytočná struna sa nožom (11b) odreže a mala by vždy zostať pod ochranným krytom (11).



**VAROVANIE!** Vyžínacia struna sa vymršťí! Nebezpečenstvo zranenia najmä pre prizerajúce osoby!



## Automatické posúvanie

Pri spustenom produkte uvoľnite vypínač (2) na kompletné zastavenie. Stlačte vypínač (2) na spustenie produktu.

**POZNÁMKA:** Vyžínacia struna sa pri každom zastavení a spustení posunie o približne 3 – 5 mm, kým táto struna nedosiahne nôž. Vyvarujte sa častého zapínania a vypínania, pretože vyžínacia struna by sa mohla neúmyselne automaticky posúvať a vďaka tomu rýchlo spotrebovať.

## Po ukončení používania

- Vypnite produkt, vyberte akumulátor a nechajte produkt vychladnúť.
- V prípade potreby pripevnite chránič noža (11d).
- Produkt skontrolujte, očistite a uložte nižšie uvedeným spôsobom.

## Pravidlá správnej údržby



**VAROVANIE!** Pred kontrolou, údržbou a čistením vždy produkt vypnite, vyberte akumulátor a nechajte produkt vychladnúť!



- Udržujte produkt čistý. Po každom použití a pred skladovaním z neho odstráňte úlomky.
- Pravidelné a správne čistenie prispieva k bezpečnej prevádzke a predlžuje životnosť produktu.
- Pred každým použitím skontrolujte, či nemá produkt opotrebované alebo poškodené diely. V prípade pokazených alebo opotrebovaných dielov produkt nepoužívajte.

**VAROVANIE!** Opravy a údržbu vykonávajte iba podľa týchto pokynov! Všetky ďalšie práce musia vykonávať kvalifikovaní odborníci!

### Všeobecné informácie o čistení

- ☼ Očistite produkt navlhčenou handričkou a pH neutrálnym mydlom. Zle dosiahnuteľné miesta očistite pomocou kefy.
- ☼ Ťažko odstrániteľný prach odstráňte vysokotlakovým vzduchom (max. 3 bary).

**POZNÁMKA:** Pri čistení tohto produktu nepoužívajte chemikálie, alkalické, brúsne alebo iné agresívne čistiace alebo dezinfekčné prostriedky, ktoré by mohli poškodiť jeho povrch.

- ☼ Kontrolou vyhľadajte opotrebované alebo poškodené diely. Pred opätovným použitím produktu vymeňte podľa potreby opotrebované diely alebo požiadajte autorizované servisné stredisko o opravu.

### Ochranný kryt

- ☼ Udržujte ochranný kryt (11) čistý a zbavený úlomkov. Odstráňte odrezky.
- ☼ Ak je ochranný kryt (11) opotrebovaný alebo poškodený, nahraďte ho krytom rovnakého typu.

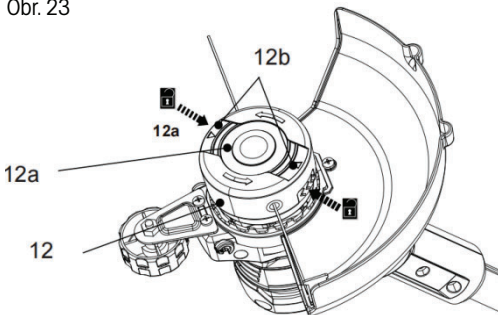
### Vyžínacia struna

Výmena strunovej cievky.

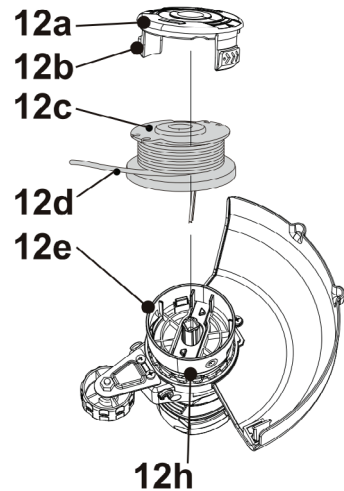
Keď je strunová cievka prázdna alebo opotrebovaná, vymeňte ju.

- ☼ Otočte produkt hore nohami, aby ste sa dostali k vyžínacej strune.
- ☼ Držte strunovú hlavu (12) pevne jednou rukou. Stlačte uvoľňovacie západky (12b) po oboch stranách a potom zdvihnite kryt (12a) a odstráňte ho (obr. 23).
- ☼ Odstráňte strunovú cievku (12c) z krytu (12e) (obr. 24).

Obr. 23

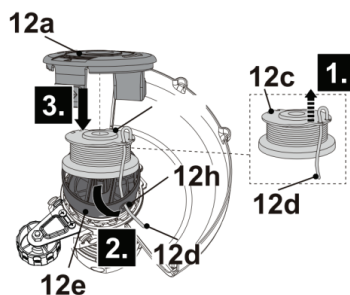


Obr. 24



- ✿ Pred vloženíím novej cievky (12c) rovnakého typu očistite kryt (12e).
- ✿ Vyťahnite z novej cievky strunu s dĺžkou pribli. 12 cm.
- ✿ Uvoľnite vyžínaciu strunu (12d) zo zárezov a podržte ju. Nedovoľte, aby sa vyžínacia struna (12d) uvoľnila zo strunovej cievky (12c) (obr. 25, krok 1).
- ✿ Preveďte koniec vyžínacej struny (12d) očkom (12h) v kryte (12e) (obr. 25, krok 2).
- ✿ Vložte strunovú cievku (12c) do krytu (12e) (obr. 25, krok 3). Otočte strunovou cievkou (12c) tak, aby zacvakla do správnej polohy.
- ✿ Znovu pripevnite kryt (12a) a zaistite, aby zacvakol do správnej polohy.

Obr. 25



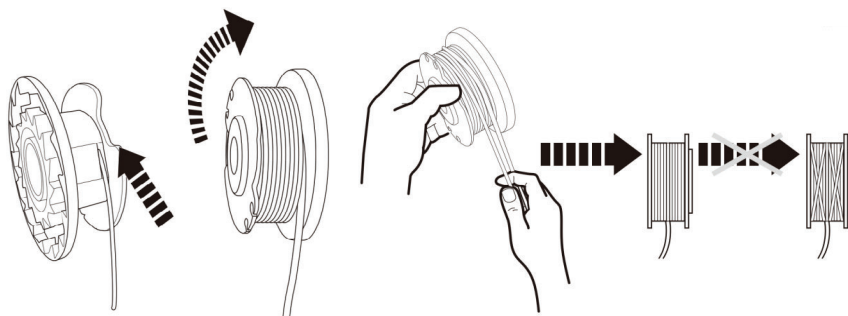
### Doplnenie vyžínacej struny do strunovej cievky

- ✿ Otočte produkt hore nohami, aby ste sa dostali k vyžínacej strune.
- ✿ Držte strunovú hlavu (12) pevne jednou rukou. Stlačte uvoľňovacie západky (12b) po oboch stranách a odstráňte kryt (12a).
- ✿ Vyberte strunovú cievku (12c) z krytu (12e).
- ✿ Zlikvidujte zostávajúcu strunu (12d) zo strunovej cievky (12c).
- ✿ Očistite kryt (12e) a strunovú cievku (12c).
- ✿ Odrežte novú vyžínaciu strunu s dĺžkou 4 m s cievkou (12c) v smere šípok (obr. 26).
- ✿ Pretiahnite jeden koniec novej vyžínacej struny (12d) malým očkom na strunovej cievke (12c) v smere šípok (obr. 26).
- ✿ Natiahnite vyžínaciu strunu (12d) a prehnite ju (obr. 27).
- ✿ Naviňte celú vyžínaciu strunu (12d) pevne okolo cievky v smere šípok na strunovej cievke (12c) (obr. 28).

Obr. 26

Obr. 27

Obr. 28



### Skladovanie

- ✿ Vypnite produkt a odstráňte z neho akumulátor.
- ✿ Očistite produkt vyššie opísaným spôsobom.
- ✿ V prípade potreby premiestnite koliesko vyžínacza (13) do skladovacej polohy.
- ✿ Uskladnite produkt a jeho príslušenstvo na tmavom, suchom a dobre vetranom mieste chránenom pred mrazom.

- ☼ Vždy uskladnite produkt na mieste, kam nemajú prístup deti. Ideálna skladovacia teplota je v rozsahu 10 °C až 30 °C.
- ☼ Odporúčame vám používať na skladovanie originálne balenie alebo zakryť produkt vhodnou handričkou alebo krytom chrániacim pred prachom.

### Preprava

- ☼ Vypnite produkt a odstráňte z neho akumulátor.
- ☼ V prípade potreby pripevnite chránič noža (11 d).
- ☼ V prípade potreby premiestnite koliesko vyžinača (13) do skladovacej polohy.
- ☼ Tento produkt držte vždy za jeho rukoväti (1, 15).
- ☼ Chráňte produkt pred silnými nárazmi alebo vibráciami, ktoré sa môžu objaviť pri preprave produktu vo vozidlách.
- ☼ Zaisťte produkt tak, aby nemohol vykĺznuť alebo spadnúť.

## 5. BEZPEČNOSTNÉ POKYNY

**⚠ POZOR! Pred začatím práce s touto akumulátorovou strunovou kosačkou si prečítajte nasledujúce pokyny týkajúce sa bezpečnosti a spôsobu použitia. Dôkladne sa oboznámte s ovládacími prvkami a správnym používaním tohto zariadenia. Uchovajte túto používateľskú príručku na bezpečnom mieste, kde ju budete môcť v prípade potreby ľahko nájsť.**

### Bezpečnostné pokyny týkajúce sa vašej novej strunovej kosačky

- ☼ Pri práci s týmto náradím používajte vhodné ochranné okuliare.
- ☼ Pri práci s týmto náradím používajte vhodné bezpečnostné rukavice.
- ☼ Nevystavujte toto náradie dažďu a vlhkosti.
- ☼ Dôkladne sa oboznámte s obsluhou a správnym použitím vašej strunovej kosačky.
- ☼ Nezverujte obsluhu strunovej kosačky deťom. Všetky osoby, ktoré budú s touto strunovou kosačkou pracovať, musia byť dobre oboznámené s obsahom používateľskej príručky.
- ☼ Pri práci zaisťte, aby sa ostatné osoby (predovšetkým deti) a zvieratá zdržiavali mimo dosahu tejto strunovej kosačky, pretože pokosená tráva môže obsahovať kamene alebo úlomky. Ak sa objavia v blízkosti pracovnej plochy deti, dospelé osoby alebo zvieratá, zastavte túto strunovú kosačku.
- ☼ Zaisťte, aby sa ostatné osoby (najmä deti) a zvieratá zdržiavali mimo dosahu, teda vo vzdialenosti aspoň 15 m od pracovného priestoru.
- ☼ Pracujte iba pri dostatočnom osvetlení.
- ☼ Pred každým použitím po náraze kosačky vykonajte, prosím, kontrolu zameranú na akékoľvek známky poškodenia a v prípade potreby zaisťte vykonanie opravy. Nepoužívajte túto strunovú kosačku, ak je poškodená alebo ak nie je zaručená bezpečnosť jej prevádzky.
- ☼ V pravidelných intervaloch a najmä pred každým použitím kontrolujte stav strunovej kosačky (najmä utiahnutie všetkých skrutiek a matíc a pripevnenie bezpečnostného krytu). Strunová kosačka, ktorá nie je v dobrom stave, sa nemôže používať bezpečným spôsobom.
- ☼ Počas kosenia musí byť trvalo pripevnený ochranný kryt.
- ☼ Nepoužívajte túto kosačku na trávu, ak má poškodený kryt.
- ☼ Pred zapnutím tejto strunovej kosačky sa uistite, že sa nylonová rezná hrana nedotýka zeme, kameňov alebo iných predmetov.
- ☼ Udržujte svoje ruky a chodidlá v dostatočnej vzdialenosti od rotujúcej struny, najmä po spustení motora.

- ✿ Chráňte sa pred zranením, ktoré môže byť spôsobené rotujúcou strunou, a majte pritom na pamäti, že otáčanie struny môže pokračovať určitý čas aj po vypnutí tohto náradia. Po predĺžení struny vráťte túto kosačku do jej pôvodnej pracovnej polohy.
- ✿ Na kosenie trávy nepoužívajte kovové výžinacie struny.
- ✿ Vždy používajte iba originálne náhradné diely.
- ✿ Pred začatím čistenia či údržby alebo po ukončení používania strunovej kosačky vždy odpojte akumulátor.
- ✿ Zaistite, aby boli vetracie otvory stále čisté.
- ✿ Zabráňte náhodnému spusteniu strunovej kosačky. Nikdy strunovú kosačku neprenášajte s prstom na jej spúšťacom spínači.
- ✿ Pri obsluhu tejto strunovej kosačky sa uistite, či sa táto kosačka nachádza v bezpečnej a stabilnej polohe.
- ✿ Pred spustením strunovej kosačky skontrolujte pracovnú oblasť a odstráňte z nej drôty, kamene, úlomky atď.
- ✿ Nekosťe proti tvrdým predmetom. Následkom by mohlo byť zranenie osôb alebo poškodenie tejto kosačky.

**⚠ POZOR!** Pohybujúce sa časti rotujú ešte určitý čas aj po vypnutí tejto strunovej kosačky.

- ✿ Nepokúšajte sa zastavovať (nylonovú) strunu rukami! Umožnite dobeh vyžínacej struny jej vlastnou zotrvačnosťou.
- ✿ Túto strunovú kosačku nepoužívajte na kosenie trávy, ktorá nie je v kontakte so zemou, ako napríklad trávy rastúce na skalkách, stenách atď.
- ✿ Kým sa vyžínacia struna ešte stále otáča, nepribližujte kosačku k dláždeným plochám, štrkovým chodníkom atď.

## Bezpečnostné pokyny pre batériu a nabíjačku

### Batéria

- ✿ Túto batériu nikdy nerozoberajte.
- ✿ Nevystavujte túto batériu pôsobeniu vody.
- ✿ Nevhadzujte batérie do ohňa, pretože v takom prípade hrozí nebezpečenstvo výbuchu!
- ✿ Neskladujte batérie na miestach, kde by teplota mohla presiahnuť 40 °C.
- ✿ Po dokončení nabíjania nenechávajte batériu v nabíjačke. V opačnom prípade by mohlo dôjsť k úniku elektrolytu z batérie.
- ✿ Nabíjajte iba pri izbovej teplote.
- ✿ Na nabíjanie batérie používajte iba originálnu nabíjačku, ktorá bola dodaná s náradím.
- ✿ Pred nabíjaním skontrolujte, či je batéria suchá a čistá.
- ✿ Používajte iba typy batérií, ktoré sú schválené výrobcom tohto náradia.
- ✿ Nelikvidujte batériu spolu s bežným domovým odpadom, ale odovzdajte ju v príslušnom zbernom stredisku.
- ✿ V extrémnych podmienkach existuje nebezpečenstvo úniku elektrolytu z batérie. Ak dôjde k úniku elektrolytu, postupujte nasledujúcim spôsobom:
  - Elektrolyt opatrne zotrite pomocou suchej handričky. Zamedzte kontaktu s pokožkou.
  - Ak dôjde k styku s pokožkou alebo k zasiahnutiu očí, postupujte podľa nižšie uvedených pokynov.
- ✿ Batéria obsahuje roztok hydroxidu draselného s koncentráciou 25 – 30 %, ktorý môže mať škodlivé účinky. Ak dôjde k styku s pokožkou, ihneď opláchnite pomocou veľkého množstva vody. Zasiahnuté miesto zneutralizujte slabou kyselinou, napríklad citrónovou šťavou alebo octom. V prípade zasiahnutia očí dôkladne vypláchnite vodou (na aspoň 10 minút) a vyhľadajte lekárske ošetrovanie.

**📖 POZNÁMKA:** Použité sú batérie typu Li-Ion. Batérie nevyhadzujte do domového odpadu, ohňa alebo vody. Tieto batérie sa musia likvidovať spôsobom, ktorý neohrozuje životné prostredie.



## Nabíjačka

- ✿ Nikdy nevymieňajte žiadny elektrický kábel, pretože by mohlo dôjsť k zraneniu!
- ✿ Nabíjačku používajte iba na nabíjanie originálnych batérií, ktoré boli dodané s týmto výrobkom. Pri nabíjaní batérie odlišného typu hrozí nebezpečenstvo samovznietenia, vážneho zranenia osôb a vzniku škôd na majetku.
- ✿ Bezprostredne po sebe sa môžu nabíjať iba dve batérie, v opačnom prípade by mohlo dôjsť k prehriatiu nabíjačky. Pred novým nabíjaním nechajte túto nabíjačku vychladnúť.
- ✿ Po dokončení postupu nabíjania odpojte nabíjačku od sieťovej zásuvky a vyberte batériu.
- ✿ Nenechávajte akumulátor v nabíjačke.
- ✿ Pri prenášaní nabíjačku nedržte za kábel alebo zástrčku. Pri odpájaní napájacieho kábla nabíjačky od sieťovej zásuvky neťahajte za samotný kábel, ale za jeho zástrčku. Zaisťte ochranu nabíjačky pred teplom a pred stykom s ostrými predmetmi.
- ✿ Nikdy sa nepokúšajte nabíjať batérie, ktoré nie sú určené na nabíjanie.
- ✿ Nabíjačku nikdy nepoužívajte, ak je jej kábel akokoľvek poškodený.
- ✿ Nevystavujte nabíjačku vode alebo dažďu a nepoužívajte ju v mokrom prostredí.
- ✿ Neodstraňujte kryt nabíjačky.
- ✿ Nabíjačku nerozoberajte.
- ✿ Nabíjačku nepoužívajte vo vonkajšom prostredí, pretože je určená iba na používanie vnútri miestností.

## 6. TECHNICKÉ ÚDAJE

Č. MODELU	FZS 70105-0
Menovité napätie	18 V
Menovité otáčky naprázdno n0	8000 min <sup>-1</sup>
Šírka záberu	23 cm
Vyžínacia struna	Nemetalická, Ø 1,6 mm, dĺžka 4 m
Trieda ochrany	III
Hmotnosť	pribl. 1,3 kg
Rozmery	pribl. 1100 × 240 × 320 mm

### Príslušenstvo

Číslo položky	Príslušenstvo
FDUZ 79020	Akumulátor 2 Ah
FDUZ 79040	Akumulátor 4 Ah
FDUZ 79100	Rýchla nabíjačka
FDUZ 79110	Rýchla duálna nabíjačka

Zvukové hodnoty boli určené podľa predpisu na testovanie hlučnosti v EN 50636-2-91, s využitím základných noriem EN ISO 11201 a EN ISO 3744.

Úroveň intenzity zvuku u operátora môže presiahnuť 80 dB (A) a sú nevyhnutné opatrenia na ochranu sluchu.

## 7. ÚDRŽBA A SKLADOVANIE

### Údržba

- ✿ Po ukončení práce vyberte zo strunovej kosačky batériu.
- ✿ Používajte iba náhradné diely a príslušenstvo schválené výrobcom.
- ✿ Aby bol zaistený perfektný stav tejto strunovej kosačky, ukladajte, prosím, jej časti – cievky – do uzatvárateľného vrecúška.
- ✿ Pred čistením vyberte z tohto náradia batériu. Pri čistení používajte iba handričku navlhčenú vo vode (môžete tiež použiť mydlový roztok). Nikdy neponárajte túto strunovú kosačku do vody. Nikdy neoplachujte túto strunovú kosačku prúdom vody (napríklad zo záhradnej hadice). Do tohto náradia sa nesmie dostať žiadna voda. Nečistite toto náradie tlakovou umývačkou.
- ✿ Skracovací nôž na okrajoch krytu sa môže časom otupiť. Odporúčame vám vykonávať pravidelnú kontrolu ostrosti tohto noža.

### Skladovanie

- ✿ Ukladajte túto strunovú kosačku iba na suchom mieste.
- ✿ Nekladte na toto náradie žiadne predmety.
- ✿ Na konci sezóny vykonajte celkovú prehliadku tejto strunovej kosačky a odstráňte nahromadené zvyšky pokosenej trávy.
- ✿ Ak je nutné vykonanie opravy, kontaktujte, prosím, autorizovaný servis alebo predajcu.

## 8. ODSTRAŇOVANIE PORÚCH

Chyba/porucha	Príčina	Riešenie
Výrobok nie je funkčný	Nie je vybitá batéria?	Nabite batériu.
	Je batéria v náradí správne usadená?	Znovu vložte akumulátor do náradia.
	Je náradie poškodené?	Kontaktujte autorizovaný servis.
Náradie vibruje	Je náradie čisté? Nie je v strunovej cievke a v bezpečnostnom kryte nahromadené väčšie množstvo trávy?	Očistite náradie, odstráňte zvyšky pokosenej trávy nachádzajúcej sa medzi strunovou cievkou a bezpečnostným krytom.
	Bola strunová cievka vložená do náradia správne?	Vložte strunovú cievku správne do náradia.

## 9. LIKVIDÁCIA



Toto zariadenie, dobijacia batéria, príslušenstvo a obaly musia byť roztriedené, aby bola zaistená ich ekologická recyklácia.

Nevyhadzujte elektrické náradie a batérie alebo nabíjacie batérie do bežného domového odpadu!

### Iba pre krajiny Európskej únie:



Podľa európskej smernice 2012/19/EÚ a v súlade s európskou smernicou 2006/66/ES sa musí elektrické náradie, ktoré už nie je použiteľné, a tiež chybné alebo použité akumulátory/batérie, roztriediť oddelene a zlikvidovať tak, aby nedošlo k ohrozeniu životného prostredia.

#### POKYNY A INFORMÁCIE K LIKVIDÁCII VYRADENÝCH OBALOV.

Odovzdajte všetok použitý obalový materiál na mieste, ktoré je určené miestnymi úradmi pre likvidáciu odpadu.

#### LIKVIDÁCIA VYRADENÝCH ELEKTRICKÝCH A ELEKTRONICKÝCH ZARIADENÍ



Tento symbol na produktoch alebo v priloženej dokumentácii znamená, že vyradené elektrické alebo elektronické produkty sa nesmú vyhadzovať do bežného komunálneho odpadu.

Odovzdajte tieto produkty na určených zberných miestach, kde sa vykoná ich správna likvidácia, obnovenie a recyklácia. V niektorých štátoch Európskej únie alebo v niektorých európskych krajinách môžete pri nákupe zodpovedajúceho nového produktu vrátiť vaše produkty miestnemu predajcovi. Správnou likvidáciou tohto produktu pomáhate chrániť cenné prírodné zdroje a zabránite možným negatívnym dopadom na životné prostredie a ľudské zdravie, ku ktorým by mohlo dôjsť v dôsledku nesprávnej likvidácie odpadu. Ďalšie podrobnosti vám poskytnú miestne úrady alebo najbližší zberný dvor. V prípade nesprávnej likvidácie tohto druhu odpadu sa môžu uložiť pokuty v súlade s platnými národnými predpismi.

#### Pre spoločnosti v krajinách Európskej únie

Ak chcete zlikvidovať elektrické alebo elektronické zariadenia, vyžiadajte si potrebné informácie od vášho predajcu.

#### Likvidácia v krajinách mimo Európskej únie

Ak chcete tento výrobok zlikvidovať, požiadajte miestne úrady alebo predajcu o nevyhnutné informácie o spôsobe likvidácie.



Tento výrobok spĺňa všetky základné požiadavky všetkých príslušných smerníc EÚ.

Text, dizajn a technické špecifikácie sa môžu zmeniť bez predchádzajúceho upozornenia a vyhradujeme si právo na vykonávanie týchto zmien.

Používateľská príručka v originálnom jazyku.

# 10. VYHLÁSENIE O ZHODE

# FAST®

**FAST ČR, a.s.**U Sanitásu 1621, 251 01 Říčany, Czech Republic  
tel.: +420 323 204 111, fax: +420 323 204 110

## EU VYHLÁSENIE O ZHODE

**Produkt / značka:** Akumulátorová strunová kosačka / **FIELDMANN**

**Typ / model:** **FZS 70101-0** ako výrobný model L05-001A  
DC 18V (bateria); šírka 230mm; Trieda III; IPX0  
nameraná hladina akustického výkonu:  $L_{PA} = 68,3$  dB(A)  
garantovaná hladina akustického výkonu:  $L_{WA} = 88$  dB(A)

**Výrobca:** FAST ČR, a.s.  
U Sanitásu 1621, 251 01 Říčany, Czech Republic  
VAT no: CZ2477749

Toto vyhlásenie o zhode sa vydáva na výhradnú zodpovednosť výrobcu.

**Predmet vyhlásenia opísaného vyššie je v súlade s príslušnými harmonizačnými právnymi predpismi Únie:**

Smernice MD 2006/42/EC                      Smernice EMC 2014/30/EU  
Smernice NEOE 2000/14/EC                Smernice RoHS 2011/65/EU

**Príslušné harmonizované normy a ostatné technické špecifikácie:**

EN 60335-1:2012+AC+A11+A13+A14+A2                      EN 55014-1:2017+A11  
EN 50636-2-91:2014    EN 55014-2:2015  
EN 62233:2008+AC



**Miesto vydania:** Praha  
**Dátum vydania:** 30. 09. 2022

**Meno:** Petr Uher – Zodpovedná osoba  
**Podpis:**

**FAST® FAST ČR, a.s.**  
U Sanitásu 1621, 251 01 Říčany  
tel.: +420 323 204 111  
IČO: 247 77 749, DIČ: CZ 247 77 749

IČO: 24777749, DIČ: CZ24777749

Bankovní spojení: Komerční banka Praha 1, č.ú. 89309011/0100, ČSOB Praha 1, č.ú. 8010-0116233383/0300  
Česká spořitelna Praha 4, č.ú. 2375682/0800



# Akkumulátoros damilos fűkasza

## FELHASZNÁLÓI KÉZIKÖNYV

**Köszönjük, hogy megvásárolta ezt a kerti akkumulátoros damilos fűkaszt.**  
**A szerszám használata előtt figyelmesen olvassa el a használati útmutatót és őrizze meg a későbbiekre.**

### TARTALOM

1. ÁLTALÁNOS BIZTONSÁGI ELŐÍRÁSOK .....	64
2. IKONOK .....	65
3. A SZERSZÁM LEÍRÁSA.....	66
4. ÖSSZESZERELÉS ÉS KEZELÉS .....	66
5. BIZTONSÁGI UTASÍTÁSOK .....	75
6. MŰSZAKI ADATOK .....	77
7. KARBANTARTÁS ÉS TÁROLÁS .....	78
8. HIBAELHÁRÍTÁS.....	78
9. MEGSEMMISÍTÉS .....	79
10. MEGFELELŐSÉGI NYILATKOZAT .....	80

# 1. ÁLTALÁNOS BIZTONSÁGI ELŐÍRÁSOK

## Fontos biztonsági figyelmeztetések

- ✿ Óvatosan csomagolja ki a terméket, ügyelve arra, hogy a termék egyetlen része ne essen ki a csomagolásból, amíg a csomag teljessége nincs ellenőrizve.
- ✿ Ezt a damilos fűkaszát száraz, gyermekektől elzárt helyen tárolja.
- ✿ Olvassa el a figyelmeztetéseket és utasításokat. A figyelmeztetések vagy utasítások be nem tartása áramütést, tüzet és/vagy súlyos sérüléseket okozhat.


## Csomagolás

A termék csomagolása megakadályozza, hogy szállítás közben megsérüljön. Ez a csomagolás másodlagos nyersanyag, amely újrahasznosítható.

## Felhasználói kézikönyv

A damilos fűkaszával történő munka megkezdése előtt olvassa el az alábbi biztonsági és kezelési utasításokat. Ismerkedjen meg alaposan a szerszám kezelőelemeivel és megfelelő használatával. Tartsa ezt a használati útmutatót biztonságos helyen, ahol szükség esetén könnyen megtalálhatja. Az eredeti csomagolást, beleértve a belső csomagolóanyagot, a jótállási jegyet és a vásárlás igazolását, őrizze meg legalább a garancia időtartamáig.

Ha ezt a szerszámot más helyre kell szállítania, csomagolja az eredeti kartondobozba, hogy biztosítsa a maximális védelmét a kezelés és szállítás során (pl. költözéskor vagy a termék javítás céljából történő szállításakor).

 **Megjegyzés:** Ha másnak adja át ezt a szerszámot, mellékelje hozzá ezt a használati utasítást is.

A damilos fűkasza helyes használatának előfeltétele a mellékelt kézikönyvben szereplő használati utasítások betartása.

Az üzemeltetési utasításokon kívül a használati útmutató a karbantartási és javítási munkákkal kapcsolatos utasításokat is tartalmazza.

**A gyártó nem vállal felelősséget ezen utasítások be nem tartása miatt okozott balesetekért vagy károkért.**



## 2. IKONOK



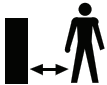
Az utasítások be nem tartása esetén sérülés veszélye áll fenn.



### Sérülésveszély!

Ügyeljen a kicsapódó tárgyakra.

Akadályozza meg illetéktelen személyek hozzáférését.



### Másokat tartson biztonságos távolságban!

**FIGYELMEZTETÉS!** Ha ezzel a készülékkel dolgozik, ügyeljen rá, hogy a közelben ne legyen más személy (a biztonságos távolság: 5 m).

Ez különösen gyermekekre és állatokra érvényes.



A gép használata előtt figyelmesen olvassa el a használati útmutatót.



Óvja a készüléket a nedvességtől, és soha ne hagyja kint esőben!



Garantált akusztikai teljesítményszint  $L_{wa}$  88 dB (A)



Használjon fülvédőt



Viseljen védőszemüveget

## 3. A SZERSZÁM LEÍRÁSA

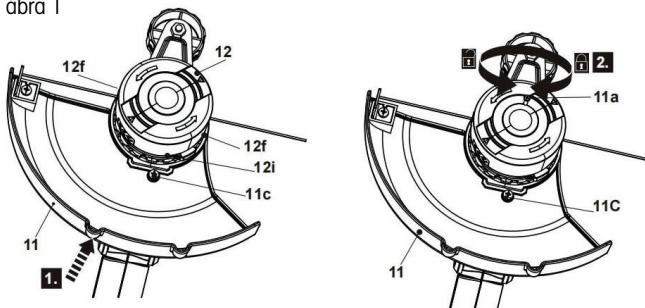
### A szerszám leírása (lsd. 1. kép)

1. Fő fogantyú
2. Kapcsoló
3. Hátsó védőrács
4. Akkumulátor-dokkoló port
5. Felső rúd
6. Biztosító gomb a szög beállítására
7. Rögzítő hüvely a hossz beállításához
8. Alsó rúd
9. Rúdtámasz
10. Biztosító gomb a lejtési szög beállítására
  - a. Jelző háromszög\*
11. Védőburkolat
  - a. Csavar\*
  - b. Vágókés
  - c. Csavarnyílás\*
  - d. Késvédő\*
12. Damilfej
  - a. Fedél
  - b. Kioldó retesz (×2)
  - c. Damilos orsó
  - d. Vágó damil
  - e. Csavar
  - f. Csúszo nyílás (×2)\*
  - g. Kioldógomb
  - h. Szem
  - c. Csavarnyílás\*
13. Vágókerék csavar (×2)\*
14. Szellőzőnyílások
15. Kiegészítő fogantyú
  - a. Biztosító gomb
16. Akkumulátor (nem tartozék)
17. Töltő (nem tartozék)

## 4. ÖSSZESZERELÉS ÉS KEZELÉS

1. Fordítsa a damilfejet (12) fejjel lefelé.
2. Igazítsa a védőburkolat (11) két szárát a damilfej (12) csúszo réseihez (12f) (1. ábra, 1. lépés). Helyezze be ütközésig a védőburkolatot (11), ügyelve arra, hogy a csavarfuratok (11c, 12i) megfelelően illeszkedjenek.
3. Rögzítse a fedelet (11) a csavar (11a) óramutató járásával megegyező irányba történő elforgatásával (1. ábra, 2. lépés).

ábra 1



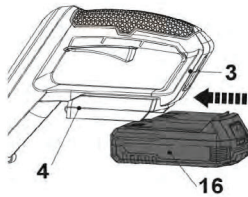
### ⚠ FIGYELMEZTETÉS!

Soha ne használja a damilfejet (12), ha a védőburkolat (11) nincs megfelelően rögzítve.

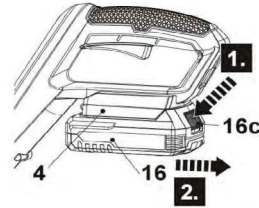
### Az akkumulátor csatlakoztatása/kioldása

- ✿ Igazítsa az akkumulátort (16) a hátsó védőburkolat (3) alatti akkumulátor-dokkoló port (4) csúsztató nyílásaihoz, és csúsztassa el az akkumulátor rögzítéséhez. Ügyeljen arra, hogy a helyére pattanjon (2. ábra).
- ✿ Nyomja meg a kioldógombot (16c), és vegye ki az akkumulátort (16) az akkumulátor-dokkoló portból (4) (3. ábra).

ábra 2



ábra 3



### Az akkumulátor feltöltése

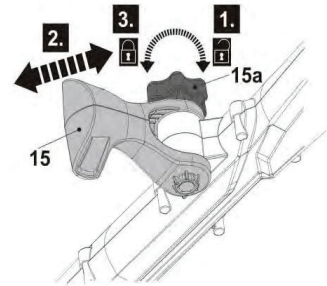
- ✿ A termék akkumulátorát (16) általában alacsony töltöttségi állapotban szállítjuk.

### A segédfogantyú beállítása

Állítsa be a segédfogantyú (15) dőlésszögét a rendeltetésszerű használatnak megfelelően.

- ✿ Oldja ki a reteszelő gombot (15a) az óramutató járásával megegyező irányba fordítva (5. ábra, 1. lépés), majd forgassa előre vagy hátra a segédfogantyút (15) a szög beállításához (5. ábra, 2. lépés).
- ✿ Rögzítse a segédfogantyú beállított helyzetét a reteszelőgomb (15a) meghúzásával az óramutató járásával ellentétes irányba fordítva (5. ábra, 3. lépés).

ábra 5



### Hossz beállítása

Állítsa be a rúd hosszát testhosszának megfelelően.

- ✿ Lazítsa meg a szorítóhüvelyt (7) az óramutató járásával megegyező irányba forgatva (6. ábra, 1. lépés).
- ✿ Állítsa be az alsó rudat (8) a kívánt hosszúságra úgy, hogy kihúzza vagy benyomja (6. ábra, 2. lépés).
- ✿ Húzza meg a szorítóhüvelyt (7) az óramutató járásával ellentétes irányba forgatva (6. ábra, 3. lépés).

ábra 6

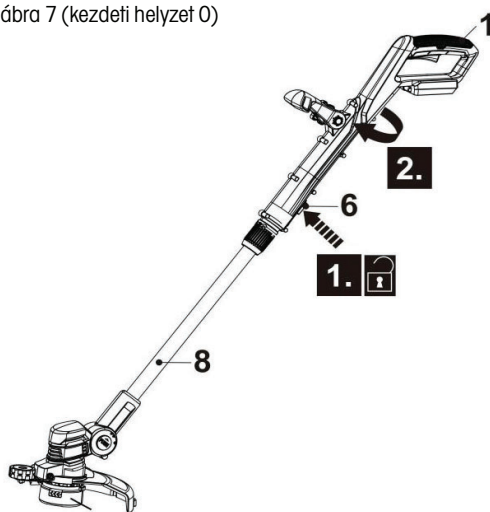


### A fő fogantyú dőlésszögének beállítása

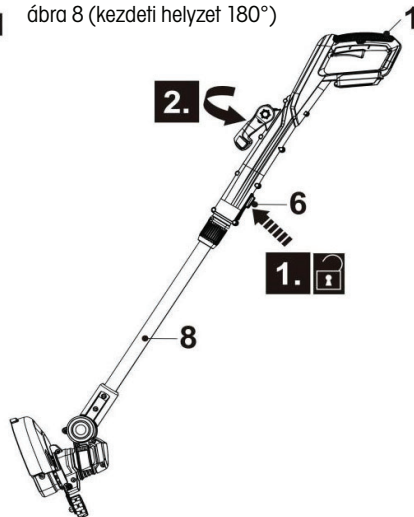
Állítsa a fő fogantyút (1) 0°-ra a vágáshoz vagy 180°-ra a szegélyezéshez.

- ✿ Nyomja meg a kioldó gombot (6), és forgassa el a fő fogantyút (1) az óramutató járásával megegyező irányba, miközben az alsó rudat (8) tartja, hogy a damilfejet (12) 180°-ra állítsa (7. ábra). Engedje el a reteszelő gombot (6), és forgassa el a fő fogantyút (1), amíg a helyére nem kattant. Győződjön meg arról, hogy a reteszelő gomb (6) a helyére kattant.
- ✿ Nyomja meg a kioldó gombot (6), és forgassa el a fő fogantyút (1) az óramutató járásával ellentétes irányba, miközben az alsó rudat (8) tartja, hogy a damilfejet (12) 0°-ra állítsa (8. ábra). Engedje el a reteszelő gombot (6), és forgassa el a fő fogantyút (1), amíg a helyére nem kattant. Győződjön meg arról, hogy a reteszelő gomb (6) a helyére kattant.

ábra 7 (kezdeti helyzet 0)



ábra 8 (kezdeti helyzet 180°)



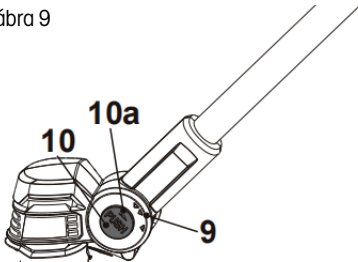
**⚠ FIGYELMEZTETÉS!** Miután a fő fogantyút ezen véghelyzetek bármelyikébe állította, mindig ellenőrizze, hogy a reteszelőgomb (6) a helyére kattant-e! Soha ne állítsa a középső pozíció!

### A damilfej magasságának beállítása

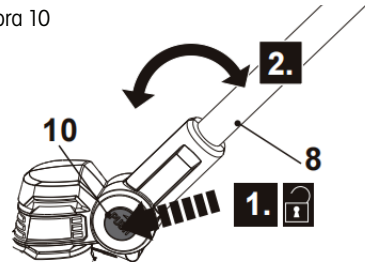
Állítsa be a damilfej dőlésszögét a talaj körülményei szerint a nyíráshoz vagy szegélyezéshez úgy, hogy a kioldógombon (10) lévő jelzőháromszöget (10a) a három pólusjelző fény (9) egyikéhez igazítja (9. ábra).

- ✿ Nyomja meg a kioldó gombot (10), és tartsa a megfelelő helyzetben (10. ábra, 1. lépés).
- ✿ Mozgassa kissé felfelé vagy lefelé az alsó rudat (8) (10. ábra, 2. lépés).
- ✿ Engedje el a reteszelő gombot (10), és mozgassa az alsó rudat (8), amíg a helyére nem kattant.

ábra 9



ábra 10



**▲ FIGYELMEZTETÉS!** A damilfej (12) kívánt helyzetbe állítása után mindig ügyeljen arra, hogy a kioldógomb (10) a megfelelő pozícióba kattanjon! Soha ne állítsa a középső pozíció!

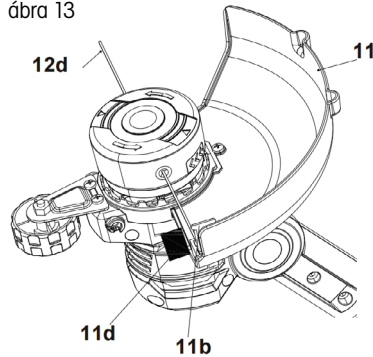
### Vágókerekék

- ☼ Használja a vágókereket (13), hogy tartsa a távolságot azoktól az akadályoktól, amelyeket a fűnyíró eltálálhat.
- ☼ Használja a vágókereket (13) a fű lenyírásához a széleken.

### Védőburkolat

A védőburkolat (11) megvédi a kezelőt a kidobott tárgyakkal szemben, miközben a készülékkel dolgozik. Késsel (11b) van felszerelve a vágódamil (12d) elvágásához (13. ábra).

ábra 13

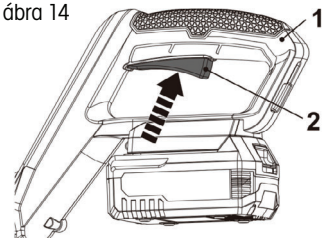


**📖 MEGJEGYZÉS:** Használat előtt mindig távolítsa el a késvédőt (11d).

### Bekapcsolás/kikapcsolás

- ☼ Tartsa a terméket egyik kezével a kiegészítő fogantyún (15), másik kezével a fő fogantyún (1).
- ☼ Nyomja meg a főkapcsolót (2) a termék bekapcsolásához (14. ábra).
- ☼ Kapcsolja ki a terméket a kapcsoló (2) elengedésével.

ábra 14



### Általános vezérlés

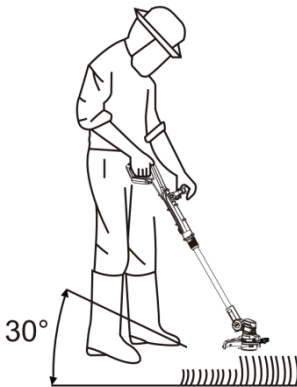
- ☼ A termék minden használata előtt ellenőrizze, hogy a termék, az akkumulátor, a töltő vagy a tartozékok nem sérültek-e meg. Soha ne használja ezt a terméket, ha bármilyen módon sérült vagy kopás jeleit mutatja.

- Ellenőrizze még egyszer, hogy a tartozékok és kiegészítők megfelelően vannak-e rögzítve.
- A terméket mindig a fogantyúinál fogja meg. Tartsa szárazon a fogantyúkat a biztos megtámasztás érdekében.
- Ügyeljen arra, hogy a szellőzőnyílások mindig szabadok és tiszták legyenek. Ha szükséges, puha kefével tisztítsa meg őket. Az eltömődött szellőzőnyílások túlmelegedést és a termék károsodását okozhatják.
- Ha munka közben a munkaterületre belépő személyek zavarják, azonnal kapcsolja ki a terméket. Félreállítás előtt mindig állítsa le teljesen a terméket.
- Ne vállalja túl magát. Tartson rendszeres szüneteket, hogy a munkájára koncentrálhasson, és mindig teljes mértékben kézben tarthassa a munka menetét.

### Vágás

- Használat előtt győződjön meg arról, hogy a késvédőt (11 d) eltávolította, a vágókerék (13) fel van szerelve, és az akkumulátor (16) csatlakoztatva van.
- Nyíráshoz állítsa a fő fogantyú (1) szögét 0°-ra.
- Tartsa erősen a terméket úgy, hogy rés legyen a termék és a csipője között.
- Álljon egyenesen, ne hajoljon előre, és figyeljen a testtartására. Álljon terpeszállásban a stabilitás megőrzése érdekében.
- Tartsa a damilfejet (12) közvetlenül a talaj felett, körülbelül 30°-os szögben (15. ábra).
- Végezzen a termékkel egy lassú, szabályos ívet balról jobbra, és mozgassa vissza a kiindulási helyzetbe, mielőtt a következő területet levágja (16. ábra).

ábra 15

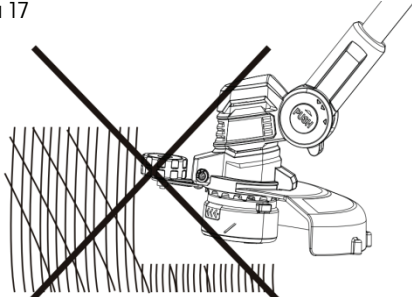


ábra 16

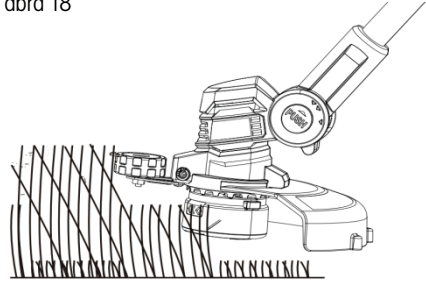


- Győződjön meg arról, hogy a fűnyíró berendezés tisztán van tartva, és mentes a vágástól, amely eltömítheti. Rendszeresen ellenőrizze. Ellenőrzés előtt engedje el a kapcsolót (2), és vegye ki az akkumulátort (16).
- Fokozatosan vágja le a magasabb fűvet; ne nyírjon egyszerre magas fűvet (17. ábra). A legjobb eredményt akkor érheti el, ha a magasabb fűvet lépcsőzetesen nyírja (18. ábra).

ábra 17



ábra 18



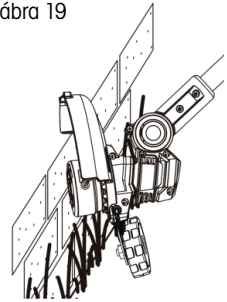
### Szélek levágása

- ✿ Használat előtt győződjön meg arról, hogy a késvédőt (11d) eltávolította, a vágókerék (13) fel van szerelve, és az akkumulátor (16) csatlakoztatva van.
- ✿ Az élek vágásához állítsa a fő fogantyút (1) szögét 180°-ra (19. ábra).

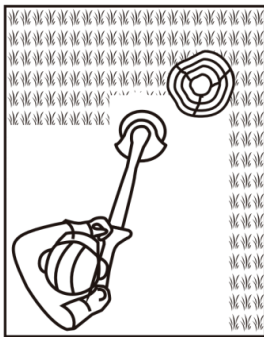
### Tippek

- ✿ A legjobb eredmény érdekében ne vágjon nedves fűvet, mivel a nedves vágott fű hajlamos a vágófejre és a burkolatra tapadni, ami megakadályozza a levágott fű megfelelő kidobását, ami elcsúszáshoz és eleséshez vezethet.
- ✿ Ne engedje, hogy az orsó fedele a talajon vagy más felületeken húzódjon.
- ✿ Fordítson különös figyelmet a fák és cserjék közelében történő fűnyírásra. A vágófej károsíthatja az érzékeny kérget vagy a kerítésoszlopokat.
- ✿ Állítsa a vágókereket vágási/szegélyezési helyzetbe, hogy a vágó ne érintkezzen kemény tárgyakkal, például falakkal vagy járdaszegélyekkel (20., 21. ábra).

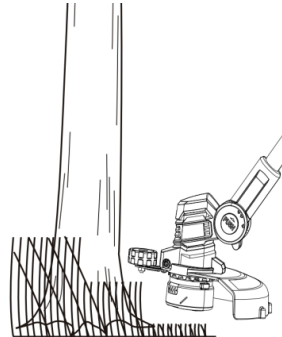
ábra 19



ábra 20



ábra 21



**MEGJEGYZÉS:** A vágó damil gyorsabban elhasználódik, és gyakrabban kell cserélni járdák vagy más érdes felületek mentén történő nyírásakor, vagy vastagabb gyomok vágásakor.

**MEGJEGYZÉS:** Nyírás közben a fűnyírót blokkolhatja a fű vagy az egyenetlen felületek. Ebben az esetben a termék a túlzott áramerősség miatt automatikusan leáll. Ebben az esetben engedje fel a kapcsolót legalább 3 másodpercre, majd nyomja meg ismét a fűnyírás folytatásához.

## A damil mozgatása

Használat közben a vágó damil hegye a kopás miatt megrövidül, és a vágó damil eltörhet. Rendszeresen ellenőrizze a vágó damil (12d) állapotát, és szükség esetén mozgassa.



**FIGYELMEZTETÉS!** Ellenőrzés, karbantartás és tisztítás előtt mindig kapcsolja ki a terméket, vegye ki az akkumulátort, és hagyja kihűlni a terméket!



**MEGJEGYZÉS:** Ez a termék automatikus adagolófejjel van felszerelve. A termék károsodásának elkerülése érdekében ne üsse a damilfejet a földhöz.

### Kézi továbbítás

- ✿ Fordítsa a damilfejet (12) fejjel lefelé.
- ✿ Nyomja meg a kioldó gombot (12g), miközben húzza a vágó damilt (12d). A vágó damil kioldódik a damil orsóból (12c) (22. ábra).
- ✿ Ismételje meg ezt a folyamatot, amíg a vágó damil (12d) kopott része a kés (11b) mögé nem kerül.
- ✿ Helyezze be az akkumulátort, és használja a terméket a jelzett módon. A felesleges damilt a késsel (11b) le kell vágni, és mindig a védőburkolat (11) alatt kell maradnia.



**FIGYELMEZTETÉS!** A vágó damil eldobódhat! Sérülésveszély, különösen a közelben tartózkodók számára!



### Automatikus továbbítás

A termék működése közben engedje el a kapcsolót (2) a teljes leállításhoz. Nyomja meg a főkapcsolót (2) a termék indításához.

**MEGJEGYZÉS:** A vágó damil körülbelül 3–5 mm-t mozog minden megállással és elindulással, amíg a damil el nem éri a kést. Kerülje a gyakori be- és kikapcsolást, mert a vágó damil akaratlanul is automatikusan elmozdulhat és gyorsan elhasználódhat.

### A használat befejezése után

- ✿ Kapcsolja ki a terméket, vegye ki az akkumulátort, és hagyja kihűlni.
- ✿ Ha szükséges, szerelje fel a késvédőt (11d).
- ✿ Vizsgálja meg, tisztítsa meg és tárolja a terméket az alábbiak szerint.

### A helyes karbantartás szabályai



**FIGYELMEZTETÉS!** Ellenőrzés, karbantartás és tisztítás előtt mindig kapcsolja ki a terméket, vegye ki az akkumulátort, és hagyja kihűlni a terméket!



- ✿ Tartsa tisztán a terméket. Minden használat után és tárolás előtt távolítsa el róla a törmeléket.
- ✿ A rendszeres és megfelelő tisztítás hozzájárul a biztonságos működéshez, és meghosszabbítja a termék élettartamát.
- ✿ Minden használat előtt ellenőrizze a termék kopott vagy sérült részeit. Ne használja a terméket, ha az alkatrészek eltörték vagy elkoptak.



**▲ FIGYELMEZTETÉS!** Javítást és karbantartást csak ezen utasítások szerint végezzen! Minden egyéb munkát szakképzett szakembernek kell elvégeznie!

### Általános tisztítási információk

- ✿ Tisztítsa meg a terméket nedves ruhával és pH-semleges szappannal. Tisztítsa meg a nehezen elérhető helyeket kefével.
- ✿ Távolítsa el a nehezen eltávolítható port nagynyomású levegővel (max. 3 bar).

**📖 MEGJEGYZÉS:** A termék tisztításakor ne használjon vegyszereket, lúgos, dörzsölő vagy más agresszív tisztító- vagy fertőtlenítőszeret, amelyek károsíthatják a felületét.

- ✿ Vizsgálja meg, hogy nincsenek-e kopott vagy sérült alkatrészek. A termék újbóli használata előtt szükség szerint cserélje ki a kopott alkatrészeket, vagy kérjen javítást egy hivatalos szervizközpontban.

### Védőburkolat

- ✿ Tartsa tisztán és törmelékmentesen a védőburkolatot (11). Távolítsa el a levágott ágakat.
- ✿ Ha a védőburkolat (11) elhasználódott vagy sérült, cserélje ki egy ugyanolyan típusú burkolatra.

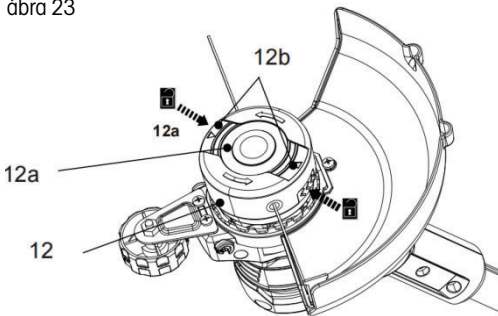
### Vágó damil

A damilos orsó cseréje.

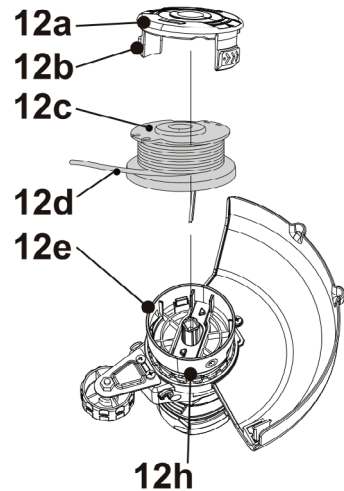
Ha a damilos orsó üres vagy elhasználódott, cserélje ki.

- ✿ Fordítsa fejjel lefelé a terméket, hogy hozzáférjen a vágó damilhoz.
- ✿ Egyik kezével erősen fogja meg a damilfejet (12). Nyomja meg a kioldófüleket (12b) mindkét oldalon, majd emelje fel a fedelet (12a), és vegye le (23. ábra).
- ✿ Vegye ki a damilos orsót (12c) a fedélből (12e) (24. ábra).

ábra 23

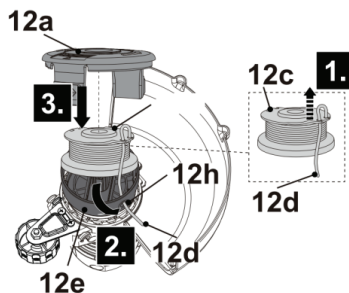


ábra 24



- ✿ Mielőtt új, azonos típusú orsót (12c) helyezne be, tisztítsa meg a fedelet (12e).
- ✿ Húzzon ki egy kb. 12 cm damilt az új orsóból.
- ✿ Oldja ki a vágó damilt (12d) a bevágásokból, és tartsa meg. Ne engedje, hogy a vágó damil (12d) kiszabaduljon a damilos orsóból (12c) (25. ábra, 1. lépés).
- ✿ Vezesse át a vágó damil végét (12d) a fedélen (12e) lévő fűzőfuraton (12h) (25. ábra, 2. lépés).
- ✿ Helyezze be a damilos orsót (12c) a házba (12e) (25. ábra, 3. lépés). Forgassa el a damilos orsót (12c), amíg a helyére nem pattan.
- ✿ Helyezze vissza a fedelet (12a), és ellenőrizze, hogy a helyére pattan-e.

ábra 25



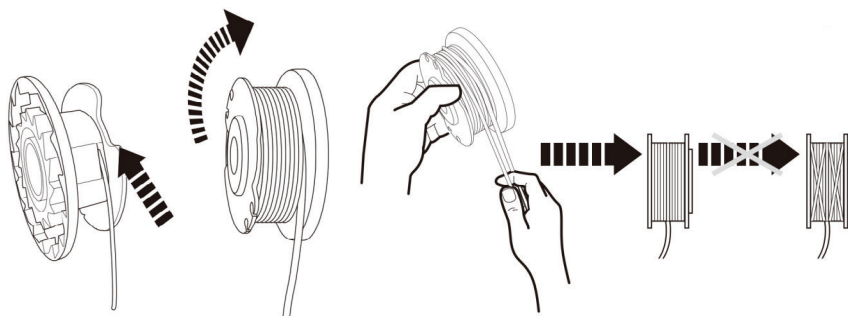
### Vágódamil pótlása a damilfejen

- ✿ Fordítsa fejjel lefelé a terméket, hogy hozzáférjen a vágó damilhoz.
- ✿ Egyik kezével erősen fogja meg a damilfejet (12). Nyomja meg a kioldó reteszt (12b) mindkét oldalon, és vegye le a fedelet (12a).
- ✿ Távolítsa el a damilos orsót (12c) a fedélről (12e).
- ✿ Dobja el a maradék damilt (12d) a damilos orsóból (12c).
- ✿ Tisztítsa meg a fedelet (12e) és a damilos orsót (12c).
- ✿ Vágjon egy új, 4 m hosszúságú vágó damilt orsóval (12c) a nyilak irányában (26. ábra).
- ✿ Vezesse át az új vágó damilt (12d) egyik végét a damilos orsó (12c) kis szemén a nyilak irányába (26. ábra).
- ✿ Nyújtsa ki a vágó damilt (12d), és hajtsa be (27. ábra).
- ✿ Tekerje szorosan a teljes vágó damilt (12d) az orsó köré a damilos orsón (12c) lévő nyilak irányába (28. ábra).

ábra 26

ábra 27

ábra 28



### Tárolás

- ✿ Kapcsolja ki a terméket, és vegye ki az akkumulátort.
- ✿ Tisztítsa meg a terméket a fent leírtak szerint.
- ✿ Ha szükséges, állítsa a vágókereket (13) tárolási helyzetbe.
- ✿ A terméket és tartozékait sötét, száraz és jól szellőző helyen, fagytól védett helyen tárolja.
- ✿ A terméket mindig gyermekektől elzárva tárolja. Az ideális tárolási hőmérséklet 10 °C és 30 °C között van.
- ✿ Javasoljuk, hogy a tároláshoz használja az eredeti csomagolást, vagy fedje le a terméket megfelelő ruhával vagy porvédővel.

## Szállítás

- ☼ Kapcsolja ki a terméket, és vegye ki az akkumulátort.
- ☼ Ha szükséges, szerelje fel a késvédőt (11d).
- ☼ Ha szükséges, állítsa a vágókereket (13) tárolási helyzetbe.
- ☼ A terméket mindig a fogantyújánál fogja meg (1, 15).
- ☼ Óvja a terméket az erős ütésektől vagy rezgésektől, amelyek a termék járművekben történő szállítása során léphetnek fel.
- ☼ Úgy rögzítse a terméket, hogy ne csússzon vagy essen le.

# 5. BIZTONSÁGI UTASÍTÁSOK

**▲ FIGYELEM! Az akkumulátoros damilos fűkaszával történő munka megkezdése előtt olvassa el az alábbi biztonsági és kezelési utasításokat. Ismerkedjen meg alaposan a szerszám kezelőelemeivel és megfelelő használatával. Tartsa ezt a használati útmutatót biztonságos helyen, ahol szükség esetén könnyen megtalálhatja.**

## Biztonsági utasítások az új damilos fűnyírójához

- ☼ A szerszámmal végzett munka során viseljen megfelelő védőszemüveget.
- ☼ Viseljen megfelelő védőkesztyűt, amikor ezzel a szerszámmal dolgozik.
- ☼ Ne tegye ki a szerszámot esőnek vagy nedvességnek.
- ☼ Ismerkedjen meg alaposan a damilos fűnyíró működésével és helyes használatával.
- ☼ Ne hagyja, hogy gyerekek kezeljék a damilos fűnyírót. Minden személynek, aki ezzel a damilos fűnyíróval fog dolgozni, alaposan ismernie kell a használati útmutató tartalmát.
- ☼ Munka közben tartsa távol a többi embert (különösen a gyerekeket) és az állatokat a damilos fűnyírótól, mivel a levágott fű köveket vagy törmeléket tartalmazhat. Ha gyerekek, felnőttek vagy állatok vannak a munkafelület közelében, állítsa le a damilos fűnyírót.
- ☼ Gondoskodjon arról, hogy más személyek (különösen gyermekek) és állatok ne legyenek elérhető távolságban, azaz legalább 15 m-re legyenek a munkaterülettől.
- ☼ Csak megfelelő fényviszonyok mellett dolgozzon.
- ☼ Ütközés után minden használat előtt ellenőrizze a fűnyírót, hogy nincs-e rajta sérülés, és szükség esetén gondoskodjon a javításról.  
Ne használja ezt a damilos fűnyírót, ha sérült, vagy ha működésének biztonsága nem garantált.
- ☼ Rendszeres időközönként és különösen minden használat előtt ellenőrizze a damilos fűnyíró állapotát (különösen az összes csavar és anya meghúzását és a biztonsági burkolat rögzítését). A nem jó állapotú damilos fűnyírót nem lehet biztonságosan használni.
- ☼ A védőburkolatot fűnyírás közben tartósan rögzíteni kell.
- ☼ Ne használja ezt a fűnyírót, ha a burkolat sérült.
- ☼ Mielőtt bekapcsolná ezt a damilos fűnyírót, győződjön meg arról, hogy a poliamid vágóél nem érinti a talajt, sziklákat vagy más tárgyakat.
- ☼ Tartsa távol a kezét és a lábát a forgó damiltól, különösen a motor bekapcsolásakor.
- ☼ A forgó damil által okozott sérülések elkerülése érdekében tartsa szem előtt, hogy a damil a szerszám kikapcsolása után is foroghat még egy ideig. A damil meghosszabbítása után állítsa vissza a fűnyírót az eredeti munkahelyzetbe.
- ☼ Fűnyíráshoz ne használjon fém vágó damilokat.
- ☼ Mindig eredeti pótalkatrészt használjon.

- ✿ Mindig húzza ki az akkumulátort tisztítás vagy karbantartás előtt, vagy a damilos fűnyíró használata után.
- ✿ Ügyeljen arra, hogy a szellőzőnyílások mindig tiszták legyenek.
- ✿ Akadályozza meg a damilos fűnyíró véletlen elindítását. Soha ne vigye a damilos fűnyírót úgy, hogy az ujjá a kioldókapcsolón van.
- ✿ A damilos fűnyíró használatakor ügyeljen arra, hogy a fűnyíró biztonságos és stabil helyzetben legyen.
- ✿ A damilos fűnyíró indítása előtt ellenőrizze a munkaterületet, és távolítsa el minden vezetékét, sziklát, törmelékét stb.
- ✿ Ne vágjon vele kemény tárgyakat. Ez személyi sérülést vagy a fűnyíró károsodását okozhatja.

**⚠ FIGYELEM!** A mozgó alkatrészek egy ideig forognak még a damilos fűnyíró kikapcsolása után is.

- ✿ Ne próbálja kézzel megállítani a (poliamid) damilt! Hagyja, hogy a vágó damil saját magától megálljon.
- ✿ Ne használja ezt a damilos fűnyírót olyan fű vágására, amely nem érintkezik a talajjal, például sziklakertekben, falakon stb.
- ✿ Ne mozgassa a fűnyírót burkolt területek, kavicsos utak stb. közelébe, amíg a vágó damil még forog.

### **Akkumulátorra és töltőre vonatkozó biztonsági előírások**

#### **Akkumulátor**

- ✿ Soha ne szerelje szét ezt az akkumulátort.
- ✿ Ne tegye ki az akkumulátort víz hatásának.
- ✿ Ne dobja az akkumulátorokat tűzbe, mert fennáll a robbanás veszélye!
- ✿ Ne tárolja az akkumulátort olyan helyen, ahol a hőmérséklet meghaladhatná a 40 °C-ot.
- ✿ A töltés befejezése után ne hagyja az akkumulátort a töltőben. Ellenkező esetben elektrolit szivároghat az akkumulátorból.
- ✿ Csak szobahőmérsékleten töltsen.
- ✿ Az akkumulátor töltéséhez csak a szerszámhoz mellékelt eredeti töltőt használja.
- ✿ Töltés előtt ellenőrizze, hogy az elem száraz és tiszta-e.
- ✿ Csak a szerszám gyártója által jóváhagyott akkumulátortípusokat használjon.
- ✿ Ne dobja ki az akkumulátort a normál háztartási hulladékkal együtt, hanem adja le a megfelelő gyűjtőhelyen.
- ✿ Szélsőséges körülmények között fennáll az elektrolitszivárgás veszélye az akkumulátorból. Ha elektrolit szivárog, járjon el az alábbiak szerint:
  - Óvatosan törölje le az elektrolitot egy száraz ruhával. Kerülje a bőrrel való érintkezést.
  - Bőrrel vagy szemmel való érintkezés esetén kövesse az alábbi utasításokat.
- ✿ Az akkumulátor 25–30%-os kálium-hidroxid oldatot tartalmaz, aminek káros hatásai lehetnek. Bőrrel való érintkezés esetén azonnal öblítse le bő vízzel. Semlegesítse az érintett területet gyenge savval, például citromlével vagy ecettel. Szembe kerülés esetén alaposan öblítse ki vízzel (legalább 10 percig), és forduljon orvoshoz.

**📖 MEGJEGYZÉS:** Li-Ion akkumulátorok kerültek felhasználásra. Ne dobja az akkumulátorokat a háztartási hulladékba, tűzbe vagy vízbe. Ezeket az akkumulátorokat a környezetet nem veszélyeztető módon kell ártalmatlanítani.

#### **Töltő**

- ✿ Soha ne cseréljen ki semmilyen elektromos kábelt, mert az sérülést okozhat!
- ✿ A töltőt csak a termékhez mellékelt eredeti akkumulátorok töltésére használja. Más típusú akkumulátor töltőeszköz fennáll a spontán égés, súlyos személyi sérülés és anyagi kár veszélye.

- ☼ Közvetlenül egymás után csak két akkumulátor tölthető, különben a töltő túlmelegedhet. Hagyja lehűlni a töltőt, mielőtt újra töltésre használná.
- ☼ A töltési folyamat befejezése után húzza ki a töltőt a fali aljzatból, és vegye ki az akkumulátort.
- ☼ Ne hagyja az akkumulátort a töltőben.
- ☼ Ne tartsa a töltőt a kábelnél vagy a csatlakozónál fogva, amikor hordozza. Amikor kihúzza a töltő tápkábelét a hálózati aljzatból, ne magát a kábelt húzza, hanem a csatlakozóját. Óvja a töltőt a hőtől és az éles tárgyakkal való érintkezéstől.
- ☼ Soha ne próbáljon meg feltölteni olyan akkumulátorokat, amelyeket nem töltésre terveztek.
- ☼ Soha ne használja a töltőt, ha a kábele bármilyen módon sérült.
- ☼ A töltőegységet ne tegye ki víznek vagy esőnek és ne használja nedves környezetben.
- ☼ Ne távolítsa el a töltő burkolatát.
- ☼ A töltőt ne szedje szét.
- ☼ Ne használja a töltőt a szabadban, mert csak beltéri használatra készült.

## 6. MŰSZAKI ADATOK

<b>MODELLSZ.</b>	<b>FZS 70105-0</b>
Névleges feszültség	18 V
Névleges üresjáratú fordulatszám n0	8000 min <sup>-1</sup>
Vágásszélesség	23 cm
Vágó damil	Fémmentes, Ø 1,6 mm, hossza 4 m
Védelmi osztály	III
Súly	kb. 1,3 kg
Méret	kb. 1100 × 240 × 320 mm

### Tartozékok

<b>A tétel száma</b>	<b>Tartozékok</b>
FDUZ 79020	Akkumulátor 2 Ah
FDUZ 79040	Akkumulátor 4 Ah
FDUZ 79100	Gyorstöltő
FDUZ 79110	Dupla gyorsöltő

A hangértékek meghatározása az EN 50636-2-91 szabvány zajvizsgálati előírása szerint történt, az EN ISO 11201 és EN ISO 3744 alapszabványok felhasználásával.

A kezelőnél a hangintenzitás meghaladhatja a 80 dB (A) értéket, és hallásvédelmi intézkedésekre van szükség.

## 7. KARBANTARTÁS ÉS TÁROLÁS

### Karbantartás

- ✿ A munka befejezése után, vegye ki az akkumulátort a damilos fűnyíróból.
- ✿ Csak a gyártó által jóváhagyott pótalkatrészeket és tartozékokat használjon.
- ✿ A damilos fűnyíró tökéletes állapotának biztosítása érdekében tárolja alkatrészeit - orsókat - visszazárható táskában.
- ✿ Tisztítás előtt vegye ki az akkumulátort az eszközből. Tisztításhoz csak vízzel megnedvesített ruhát használjon (használhat szappanos oldatot is). Soha ne merítse vízbe ezt a damilos fűnyírót. Soha ne öblítse le ezt a damilos fűnyírót folyóvízzel (például kerti tömlőből). A készülék belsejébe nem kerülhet víz. A szerszámot ne tisztítsa nagynyomású mosóval.
- ✿ A fedél szélein lévő rövidítő kés idővel eltompulhat. Javasoljuk, hogy rendszeresen ellenőrizze a kés élességét.

### Tárolás

- ✿ A damilos fűnyírót csak száraz helyen tárolja.
- ✿ A szerszáma ne helyezzen semmilyen tárgyakat.
- ✿ A szezon végén végezze el a damilos fűnyíró teljes ellenőrzését és távolítsa el a fűmaradékokat.
- ✿ Ha javításra van szükség, vegye fel a kapcsolatot a hivatalos szervizközponttal vagy márkakereskedővel.

## 8. HIBAELHÁRÍTÁS

Hiba/zavar	Ok	Megoldás
A készülék nem működik	Nincs lemerülve az akkumulátor?	Töltse fel az akkumulátort.
	Az akkumulátor megfelelően van behelyezve a szerszámba?	Helyezze be újra az akkumulátort a készülékbe.
	Megsérült a szerszám?	Lépjen kapcsolatba a szakszervizzel.
A szerszám rezeg	A szerszám tiszta? Nincs több fű felhalmozódva a damilos orsóban és a biztonsági fedélben?	Tisztítsa meg a szerszámot, távolítsa el a fűszálakat a damilos orsó és a biztonsági fedél között.
	Helyesen illesztette be a damilos orsót az eszközbe?	Helyezze be megfelelően a damilos orsót a készülékbe.

## 9. MEGSEMMISÍTÉS



A gépet, az újratölthető akkumulátort, a tartozékokat és a csomagolóanyagokat a környezetkímélő újrahasznosítás érdekében szét kell válogatni.

Az elektromos szerszámokat, akkumulátorokat és újratölthető akkumulátorokat ne dobja a háztartási hulladék közé!

### Csak az Európai Unió országai esetében:



A 2012/19/EU európai irányelv és a 2006/66/EK európai irányelv értelmében a már nem használható elektromos szerszámokat, valamint a hibás vagy elhasznált akkumulátorokat szelektíven kell gyűjteni és a környezetet nem veszélyeztető módon kell megsemmisíteni.

### A HASZNÁLT CSOMAGOLÓANYAGOKRA VONATKOZÓ MEGSEMMISÍTÉSI UTASÍTÁSOK ÉS TÁJÉKOZTATÓ

Az összes használt csomagolóanyagot a hulladékkezelő hatóság által kijelölt helyen adja le.

### HASZNÁLT ELEKTROMOS ÉS ELEKTRONIKUS BERENDEZÉSEK MEGSEMMISÍTÉSE



Ez a jel a terméken vagy a kísérő dokumentációban azt jelzi, hogy a kiselejtezett elektromos és elektronikus berendezéseket nem szabad a háztartási hulladék közé dobni.

Vigye el a termékeket az erre meghatározott gyűjtőudvarokba, ahol gondoskodnak helyes megsemmisítésükről, felújításukról vagy újrahasznosításukról. Az Európai Unió egyes országában vagy más európai országokban a termékek az eladóhelyen azonos új termék vásárlásánál visszaválthatók lehetnek. A termék megfelelő módon történő megsemmisítésével segít megőrizni az értékes természeti erőforrásokat, és hozzájárul a nem megfelelő hulladék-megsemmisítés által okozott esetleges negatív környezeti és egészségügyi hatások megelőzéséhez. További részletekért forduljon a helyi önkormányzathoz vagy a legközelebbi hulladék-megsemmisítő gyűjtőtelephez. Az ilyen típusú hulladék helytelen megsemmisítése esetén a vonatkozó nemzeti előírásoknak megfelelően bírságok szabhatók ki.

### Az Európai Unió országában működő vállalatok számára

Ha elektromos vagy elektronikus berendezést kíván megsemmisíteni, kérjen információt a termék eladójától.

### Megsemmisítés Európai Unión kívüli országokban

Ha ezt a terméket meg akarja semmisíteni, kérje a helyi hatóságoktól vagy a forgalmazótól a megsemmisítéssel kapcsolatos információkat.



Ez a termék teljesíti az EU valamennyi vonatkozó irányelvének alapkövetelményeit.

A szövegben, kivételben és műszaki jellemzőkben előzetes figyelmeztetés nélkül változtatások történhetnek, és e változtatások jogát fenntartjuk.

Eredeti nyelvű felhasználói kézikönyv.

## 10. MEGFELELŐSÉGI NYILATKOZAT

# FAST®

**FAST ČR, a.s.**  
U Sanitánu 1621, 251 01 Říčany, Czech Republic  
tel.: +420 323 204 111, fax: +420 323 204 110

### MEGFELELŐSÉGI NYILATKOZAT

**Termék / márka:** Cordless Grass Trimmer / **FIELDMANN**

**Típus / modell:** FZS 70101-0 as factory model L05-001A  
DC 18V (battery powered); cutting length 230mm; Class III; IPX0  
LPA = 68,3 dB(A); LWA = 88 dB(A)

**Gyártó:** FAST ČR, a.s.  
U Sanitánu 1621, 251 01 Říčany, Czech Republic  
VAT no: CZ2477749

Ez a megfelelőségi nyilatkozat kiadása a gyártó kizárólagos felelősségére történik.

**A termék megfelel az alább ismertetett előírásoknak:**

Directive MD 2006/42/EC Directive EMC 2014/30/EU  
Directive NEE 2000/14/EC Directive RoHS 2011/65/EU

**és szabványoknak:**

EN 60335-1:2012+AC+A11+A13+A14+A2 EN 55014-1:2017+A11  
EN 50636-2-91:2014 EN 55014-2:2015  
EN 62233:2008+AC



**Kiadva:** Prágában  
Person

**Név:** Petr Uher - Responsible

**FAST** FAST ČR, a.s.  
U Sanitánu 1621, 251 01 Říčany  
tel.: +420 323 204 111  
ID: 247 77 749, IČ: CZ 247 77 749

**dátum:** 12. 10. 2022

**Alíráás és bélyegzők:**



# Akumulatorowa kosiarka żyłkowa

## INSTRUKCJA OBSŁUGI

**Dziękujemy za zakup tej akumulatorowej kosiarki do trawy.  
Przed przystąpieniem do użytkowania należy starannie zapoznać się z niniejszą instrukcją i zachować ją do wglądu w przyszłości.**

### SPIS TREŚCI

1. OGÓLNE ZASADY BEZPIECZEŃSTWA .....	82
2. SYMBOLE .....	83
3. OPIS URZĄDZENIA.....	84
4. MONTAŻ I KONTROLA .....	84
5. ZALECENIA DOTYCZĄCE BEZPIECZEŃSTWA.....	94
6. DANE TECHNICZNE .....	96
7. KONSERWACJA I PRZECHOWYWANIE.....	97
8. USUWANIE USTEREK .....	97
9. UTYLIZACJA.....	98
10. DEKLARACJA ZGODNOŚCI .....	99

# 1. OGÓLNE ZASADY BEZPIECZEŃSTWA

## Ważne ostrzeżenia dotyczące bezpieczeństwa

- ✿ Ostrożnie rozpakuj produkt i uważaj, aby z opakowania nie wypadła żadna część do czasu sprawdzenia kompletności dostawy.
- ✿ Przechowuj tę kosiarkę w suchym miejscu, poza zasięgiem dzieci.
- ✿ Przeczytaj wszystkie ostrzeżenia i zalecenia. Niestosowanie się do tych ostrzeżeń lub instrukcji może prowadzić do porażenia prądem elektrycznym, pożaru i/lub poważnych obrażeń.


## Opakowanie

Opakowanie tego produktu zapobiega uszkodzeniom podczas transportu. Opakowania te są surowcem wtórnym, który można poddać recyklingowi.

## Instrukcja obsługi

Przeczytaj poniższe instrukcje bezpieczeństwa i obsługi przed rozpoczęciem pracy z tą kosiarką. Zapoznaj się dokładnie z elementami sterującymi oraz właściwym użytkowaniem tego urządzenia. Niniejszy podręcznik użytkownika należy przechowywać w bezpiecznym miejscu, w którym w razie potrzeby można go łatwo znaleźć. Przynajmniej w okresie gwarancyjnym zachowaj oryginalne opakowanie włącznie z wewnętrznym materiałem opakowaniowym, kartą gwarancyjną i dowodem zakupu.

Jeżeli chcesz przetransportować urządzenie w inne miejsce, zapakuj je w oryginalne pudełko kartonowe, aby zapewnić maksymalną ochronę podczas przenoszenia i transportu (np. podczas przeprowadzki lub wysyłania tego produktu do naprawy).

-  **Uwaga:** Jeżeli przekazujesz produkt komuś innemu, dołącz do niego niniejszy podręcznik użytkownika. Postępowanie zgodnie z instrukcjami zawartymi w załączonej instrukcji obsługi jest warunkiem prawidłowego korzystania z kosiarki żyłkowej. Oprócz zaleceń dotyczących użytkownika instrukcja obsługi zawiera także informacje na temat wykonywania konserwacji i napraw.

**Producent nie odpowiada za lub wypadki lub szkody spowodowane przez nieprzestrzeganie tych instrukcji.**

## 2. SYMBOLE

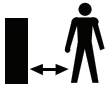


W przypadku nieprzestrzegania zaleceń istnieje ryzyko obrażeń.



### **Niebezpieczeństwo obrażeń!**

Uważaj na odrzucane przedmioty.  
Nie dopuść do dostępu nieupoważnionych osób.



### **Zachowaj bezpieczną odległość od innych osób!**

**UWAGA!** Podczas pracy z tym urządzeniem uważaj, aby w pobliżu nie znajdowały się żadne inne osoby (bezpieczna odległość: 5 m).

Dotyczy to w szczególności dzieci i zwierząt.



Przed użyciem tego narzędzia przeczytaj uważnie instrukcję obsługi.



Chroń urządzenie przed wilgocią i nigdy nie zostawiaj je na deszczu!



Gwarantowany poziom mocy akustycznej  
L<sub>wa</sub> 88 dB (A)



Używaj środków ochrony słuchu



Używaj środków ochrony wzroku

## 3. OPIS URZĄDZENIA

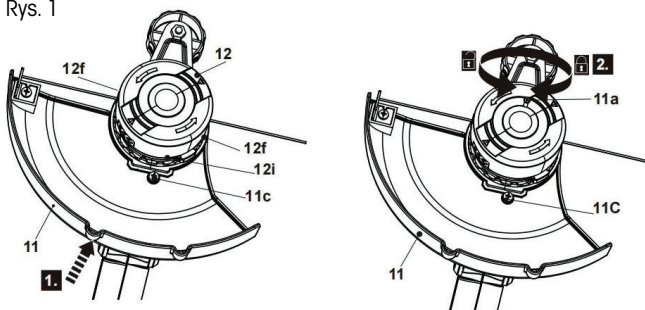
### Opis narzędzia (por. rys. 1)

1. Główny uchwyt
2. Włócznik
3. Tylna osłona ochronna
4. Port dokujący akumulatora
5. Górny drążek
6. Przycisk zwalniający do regulacji kąta
7. Tuleja zaciskowa do regulacji długości
8. Dolny drążek
9. Wspornik pręta
10. Przycisk zwalniający do regulacji nachylenia
  - a. Trójkąt wskazujący\*
11. Pokrywa ochronna
  - a. Śruba\*
  - b. Nóż
  - c. Otwór na śrubę\*
  - d. Osłona noża\*
12. Głowica żyłkowa
  - a. Pokrywa
  - b. Załazask zwalniający (×2)
  - c. Cewka strunowa
  - d. Żyłka tnąca
  - e. Osłona
  - f. Szczelina przesuwna (×2)\*
  - g. Przycisk zwalniający
  - h. Oko
  - c. Otwór na śrubę\*
13. Śruba koła przycinarki (×2)\*
14. Otwory wentylacyjne
15. Uchwyt pomocniczy
  - a. Przycisk bezpieczeństwa
16. Akumulator (brak w zestawie)
17. Ładowarka (brak w zestawie)

## 4. MONTAŻ I KONTROLA

1. Odwróć głowicę strunową (12) do góry nogami.
2. Wyrównaj dwa bolce osłony ochronnej (11) ze szczelinami przesuwными (12f) głowicy strunowej (12) (rys. 1, krok 1). Włóż do końca pokrywę ochronną (11) i upewnij się, że otwory na śruby (11c, 12i) są prawidłowo ustawione.
3. Zabezpiecz pokrywę (11), obracając śrubę (11a) zgodnie z ruchem wskazówek zegara (rys. 1, krok 2).

Rys. 1



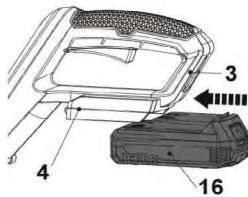
### **UWAGA!**

Nigdy nie używaj głowicy strunowej (12) bez prawidłowo założonej osłony ochronnej (11).

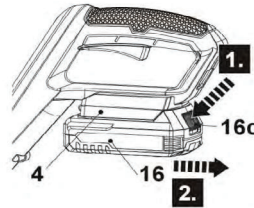
### Zakładanie/wyciąganie akumulatora

- ✿ Wyrównaj akumulator (16) z przesuwными szczelinami portu dokowania akumulatora (4) pod tylną pokrywą ochronną (3) i załóż akumulator, wsuwając go. Upewnij się, że zatrzasknął się we właściwym miejscu (rys. 2).
- ✿ Naciśnij przycisk zwalniający (16c) i wyjmij akumulator (16) z portu dokowania akumulatora (4) (rys. 3).

Rys. 2



Rys. 3



### Ładowanie akumulatora

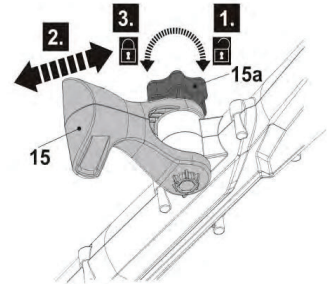
- ✿ Akumulator (16) dla tego urządzenia jest dostarczany w stanie niskiego poziomu naładowania.

### Regulacja uchwyty pomocniczego

Ustaw kąt uchwyty pomocniczego (15) zgodnie z przeznaczeniem.

- ✿ Zwolnij pokrętkę blokującą (15a), obracając je w kierunku zgodnym z ruchem wskazówek zegara (rys. 5, krok 1), a następnie obróć uchwyt pomocniczy (15) do przodu lub do tyłu, aby dostosować kąt (rys. 5, krok 2).
- ✿ Zabezpiecz ustawioną pozycję uchwyty pomocniczego poprzez wciśnięcie przycisku blokującego (15a) w kierunku przeciwnym do ruchu wskazówek zegara (rys. 5, krok 3).

Rys. 5



### Regulacja długości

Dostosuj długość drążka do długości swojego ciała.

- ✿ Zwolnij tuleję zaciskową (7) obracając ją w kierunku zgodnym z ruchem wskazówek zegara (Rys. 6, krok 1).
- ✿ Ustaw dolny drążek (8) na żądanej długości, pociągając go lub wciskając (rys. 6, krok 2).
- ✿ Dokręć tuleję zaciskową (7) obracając ją w kierunku zgodnym z ruchem wskazówek zegara (rys. 6, krok 3).

Rys. 6

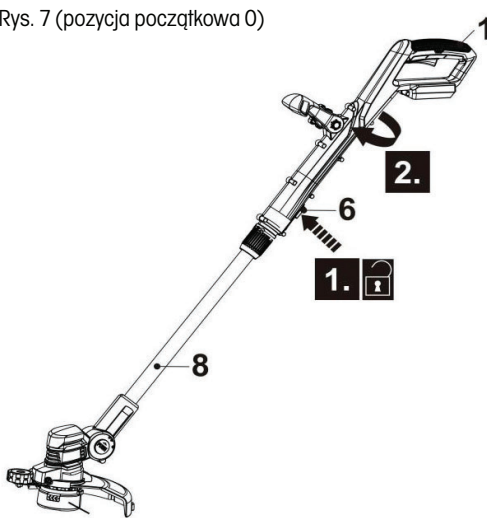


## Regulacja kąta uchwytu głównego

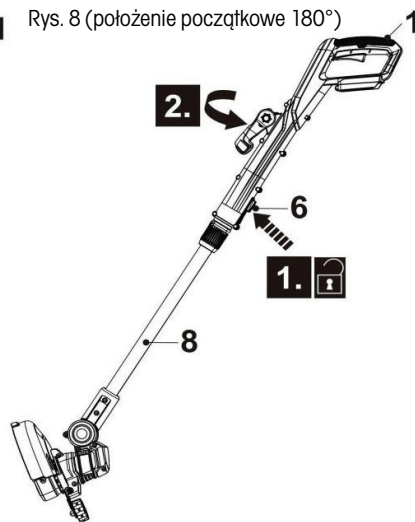
Ustaw uchwyt główny (1) w pozycji 0° do przycinania lub 180° do przycinania krawędzi.

- ❁ Naciśnij przycisk zwalniający (6) i obróć główny uchwyt (1) zgodnie z ruchem wskazówek zegara, trzymając dolny pręt (8), aby ustawić głowicę sznurka (12) na 180° (rys. 7). Zwolnij przycisk blokujący (6) i obróć uchwyt główny (1) aż do zatrzaśnięcia. Upewnij się, że przycisk blokujący (6) zatrzasnął się we właściwym położeniu.
- ❁ Naciśnij przycisk zwalniający (6) i obróć główny uchwyt (1) zgodnie z ruchem wskazówek zegara, trzymając dolny pręt (8), aby ustawić głowicę sznurka (12) na 0° (rys. 8). Zwolnij przycisk blokujący (6) i obróć uchwyt główny (1) aż do zatrzaśnięcia. Upewnij się, że przycisk blokujący (6) zatrzasnął się we właściwym położeniu.

Rys. 7 (pozycja początkowa 0°)



Rys. 8 (położenie początkowe 180°)



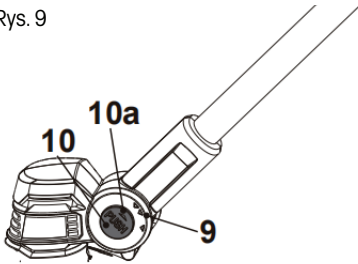
**⚠ UWAGA!** Po ustawieniu uchwytu głównego w jednej z tych pozycji końcowych należy zawsze upewnić się, że przycisk blokujący (6) zatrzasnął się w prawidłowej pozycji! Nigdy nie ustawiaj pozycji środkowej!

## Regulacja nachylenia głowicy żyłkowej

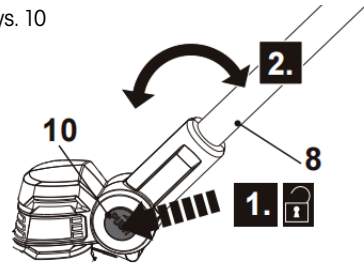
Wyreguluj kąt nachylenia głowicy strunowej, aby dostosować ją do warunków gruntowych do przycinania, ustawiając trójkąt wskaźnikowy (10a) na przycisku zwalniającym (10) z jednym z trzech wskaźników podparcia prowadnicy (9) (rys. 9).

- ❁ Wciśnij i przytrzymaj przycisk zwalniający (10) w odpowiedniej pozycji (rys. 10, krok 1).
- ❁ Przesuń dolną belkę (8) lekko w górę lub w dół (rys. 10, krok 2).
- ❁ Zwolnij przycisk blokujący (10) i przesuń dolną belkę (8) aż do zatrzaśnięcia.

Rys. 9



Rys. 10



**⚠ UWAGA!** Po ustawieniu głowicy strunowej (12) w żądanej pozycji należy zawsze upewnić się, że przycisk zwalniający (10) zatrzasnął się w odpowiednim miejscu! Nigdy nie ustawiaj pozycji środkowej!

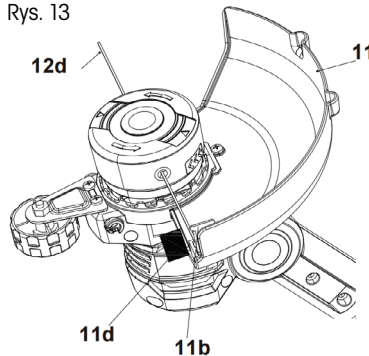
### Koło podkaszarki

- ☼ Użyj koła podkaszarki (13), aby utrzymać się z dala od przeszkód, w które mogłaby uderzyć kosiarka.
- ☼ Użyj koła podkaszarki (13), aby przyciąć trawę na krawędziach.

### Pokrywa ochronna

Pokrywa ochronna (11) chroni operatora przed odrzuconymi przedmiotami podczas pracy z maszyną. Wyposażona jest w nóż (11b) do cięcia żyłki tnącej (12d) (rys. 13).

Rys. 13

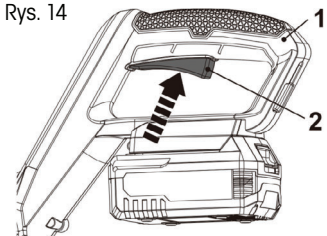


**📖 UWAGA:** Przed użyciem należy zawsze zdjąć osłonę ostrza (11d).

### Włączanie/wyłączanie

- ☼ Trzymaj produkt jedną ręką na uchwycie pomocniczym (15), a drugą na uchwycie głównym (1).
- ☼ Naciśnij przełącznik (2), aby włączyć produkt (rys. 14).
- ☼ Wyłącz produkt zwalniając przełącznik (2).

Rys. 14



### Sterowanie ogólne

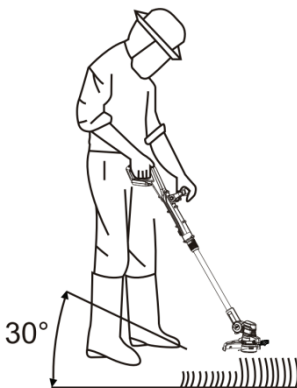
- ☼ Przed użyciem produktu należy sprawdzić, czy nie ma uszkodzeń produktu, jego akumulatora, ładowarki lub akcesoriów. Nigdy nie używaj tego produktu, jeśli jest on w jakikolwiek sposób uszkodzony lub wykazuje oznaki zużycia.
- ☼ Sprawdź dwukrotnie prawidłowe zamocowanie akcesoriów i osprzętu.

- ✿ Zawsze trzymaj ten produkt za uchwyty. Utrzymuj uchwyty w suchości, aby zapewnić bezpieczne wsparcie.
- ✿ Upewnij się, że otwory wentylacyjne są zawsze czyste i nie są zatkane. W razie potrzeby wyczyść je miękką szczołką. Zablokowane otwory wentylacyjne mogą spowodować przegrzanie i uszkodzenie produktu.
- ✿ Jeżeli podczas pracy przeszkadzają Ci osoby wchodzące na stanowisko pracy, natychmiast wyłącz produkt. Przed wyłączeniem zawsze należy pozwolić na całkowite zatrzymanie się produktu.
- ✿ Nie nakładaj na siebie zbyt wiele pracy. Rób regularne przerwy, dzięki czemu możesz skupić się na swojej pracy i zawsze mieć pełną kontrolę nad swoim produktem.

### Przycinanie

- ✿ Przed użyciem należy upewnić się, że osłona ostrza (11d) jest zdjęta, kółko trymera (13) jest zabezpieczone do pracy, a akumulator (16) jest podłączony.
- ✿ Ustaw kąt uchwyty głównego (1) na 0° do przycinania.
- ✿ Trzymaj produkt mocno, tak aby pomiędzy produktem a Twoim biodrem była przerwa.
- ✿ Stań wyprostowany, nie pochylaj się do przodu i zwróć uwagę na swoją postawę. Stań w rozkroku, aby zachować stabilność.
- ✿ Głowicę strunową (12) trzymaj tuż nad ziemią pod kątem około 30° (Rys. 15).
- ✿ Wykonaj produktem powolny, regularny tuk z lewej do prawej strony i przesun go z powrotem do pozycji wyjściowej przed cięciem następnego obszaru (rys. 16).

Rys. 15



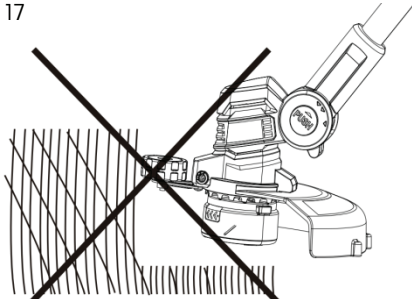
Rys. 16



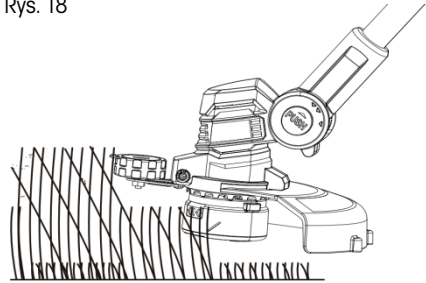
- ✿ Upewnij się, że kosiarka pozostaje czysta i wolna od wszelkich ścinków, które mogłyby ją zatkać. Sprawdzaj regularnie. Przed sprawdzeniem należy zwolnić przełącznik (2) i wyjąć akumulator (16).
- ✿ Dłuższe trawy należy ścinać stopniowo, nie ścinaj długich traw naraz (rys. 17). Aby uzyskać najlepsze wyniki, dłuższą trawę należy ścinać stopniowo (rys. 18).



Rys. 17



Rys. 18



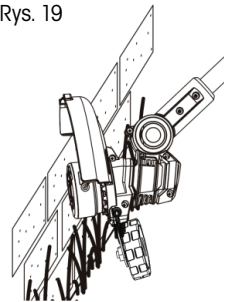
### Koszenie krawędzi

- ✿ Przed użyciem należy upewnić się, że osłona ostrza (11d) jest zdjęta, kółko trymera (13) jest zabezpieczone do pracy, a akumulator (16) jest podłączony.
- ✿ Do koszenia krawędzi należy ustawić kąt uchwytu głównego (1) na 180° (rys. 19).

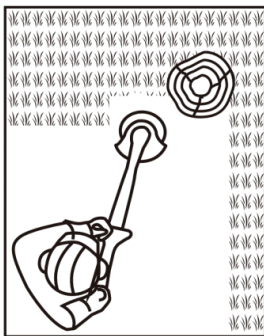
### Wskazówki

- ✿ Aby uzyskać jak najlepsze rezultaty, nie koś mokrej trawy, ponieważ mokra skoszona trawa ma tendencję do przyklejania się do głowicy tnącej i osłony, co zapobiega prawidłowemu wyrzucaniu skoszonej trawy, może także nastąpić poślizgnięcie się i upadek.
- ✿ Nie dopuszczaj do ciągnięcia pokrywy cewki po ziemi lub innych powierzchniach.
- ✿ Zwróć szczególną uwagę na koszenie w pobliżu drzew i krzewów. Głowica tnąca może uszkodzić wrażliwą korę lub słupki ogrodzenia.
- ✿ Ustaw koło podkaszarki w pozycji podkaszania/przycinania krawędzi tak, aby kosiarka nie stykała się z twardymi przedmiotami, takimi jak ściany i krawężniki (rys. 20, 21).

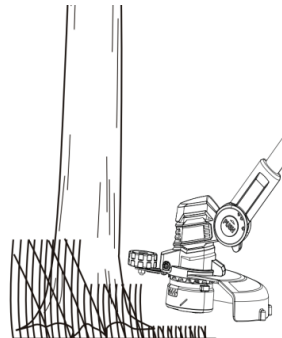
Rys. 19




Rys. 20



Rys. 21



**UWAGA:** Żyłka szybciej się zużywa i trzeba ją częściej wymieniać podczas koszenia wzdłuż chodników lub innych nierównych powierzchni, a także podczas koszenia grubszych chwastów.

 **UWAGA:** Podczas koszenia kosiarka może zostać zablokowana przez trawę lub nierówne powierzchnie. W takim przypadku produkt automatycznie wyłączy się z powodu nadmiernego zużycia prądu. W tej sytuacji należy zwolnić przełącznik na co najmniej 3 sekundy, a następnie ponownie nacisnąć przełącznik, aby wznowić trymowanie.

### Przesuwanie żyłki

Podczas użytkowania końcówka żyłki tnącej skraca się na skutek zużycia i może się złamać. Regularnie sprawdzaj stan żyłki tnącej (12d) i w razie potrzeby przesuwaj ją.



**UWAGA!** Przed sprawdzeniem, konserwacją i czyszczeniem zawsze wyłączaj produkt, wyjmij akumulator i poczekaj, aż produkt ostygnie!



 **UWAGA:** Ten produkt jest wyposażony w głowicę z automatycznym podawaniem. Nie należy uderzać głowicą trymera o ziemię, aby nie uszkodzić produktu.

### Ręczne przewijanie

- ✿ Odwróć głowicę strunową (12) do góry nogami.
- ✿ Naciśnij przycisk zwalniający (12g), jednocześnie pociągając za linkę zwalniającą (12d). Cewka strunowa uwolni żyłkę strunową (12c) (rys. 22).
- ✿ Powtarzaj ten proces, aż zużyta część żyłki trymera (12d) znajdzie się poza ostrzem (11b).
- ✿ Podłącz akumulator i używaj produktu zgodnie ze wskazówkami. Nadmiar żyłki zostanie odcięty ostrzem (11b) i powinien zawsze pozostać pod osłoną (11).




**UWAGA!** Żyłka tnąca zostanie wyrzucona! Niebezpieczeństwo obrażeń ciała, szczególnie dla osób postronnych!



### Automatyczne przewijanie

Przy pracującym produkcie zwolnij przełącznik (2) w celu całkowitego zatrzymania. Naciśnij przełącznik (2), aby uruchomić produkt.

 **UWAGA:** Żyłka tnąca przesuwana się o około 3–5 mm z każdym zatrzymaniem i rozpoczęciem, aż do momentu, gdy żyłka tnąca dotrze do ostrza. Unikaj częstego włączania i wyłączania, ponieważ żyłka tnąca może niechcący poruszać się samoczynnie i w ten sposób szybko się zużywać.

### Po zakończeniu użytkowania

- ✿ Wyłącz produkt, wyjmij akumulator i pozwól mu ostygnąć.
- ✿ W razie potrzeby załóż osłonę ostrza (11d).
- ✿ Sprawdź, wyczyść i przechowuj produkt zgodnie z poniższym opisem.

### Zasady prawidłowej konserwacji



**UWAGA!** Przed sprawdzeniem, konserwacją i czyszczeniem zawsze wyłączaj produkt, wyjmij akumulator i poczekaj, aż produkt ostygnie!



- ☼ Utrzymuj produkt w czystości. Po każdym użyciu i przed przechowywaniem należy usuwać resztki.
- ☼ Regularne i prawidłowe czyszczenie przyczynia się do bezpiecznej eksploatacji i przedłuża żywotność produktu.
- ☼ Przed każdym użyciem należy sprawdzić produkt pod kątem zużytych lub uszkodzonych części. Nie należy używać produktu w przypadku uszkodzonych lub zużytych części.

**⚠ UWAGA!** Naprawy i konserwacje należy przeprowadzać tylko zgodnie z niniejszą instrukcją! Wszystkie dalsze prace muszą być wykonywane przez wykwalifikowanych specjalistów!

### Ogólne informacje o czyszczeniu

- ☼ Produkt należy czyścić wilgotną szmatką i mydłem o neutralnym pH. Oczyszczyć trudno dostępne miejsca za pomocą szczotki.
- ☼ Trudny do usunięcia pył usuwać za pomocą powietrza pod wysokim ciśnieniem (maks. 3 bar).
- 📖 **UWAGA:** Podczas czyszczenia tego produktu nie należy używać środków chemicznych, alkalicznych, ściernych lub innych agresywnych środków czyszczących lub dezynfekujących, które mogą uszkodzić jego powierzchnię.
- ☼ Sprawdź, czy nie ma zużytych lub uszkodzonych części. Przed ponownym użyciem produktu należy w razie potrzeby wymienić zużyte części lub zwrócić się o naprawę do autoryzowanego serwisu.

### Pokrywa ochronna

- ☼ Utrzymuj pokrywę ochronną (11) w czystości i wolną od zanieczyszczeń. Usuń wycinki.
- ☼ Jeżeli osłona ochronna (11) jest zużyta lub uszkodzona, wymień ją na osłonę tego samego typu.

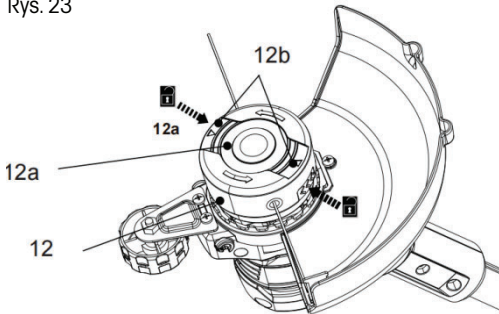
### Żyłka tnąca

Wymiana szpuli z żyłką.

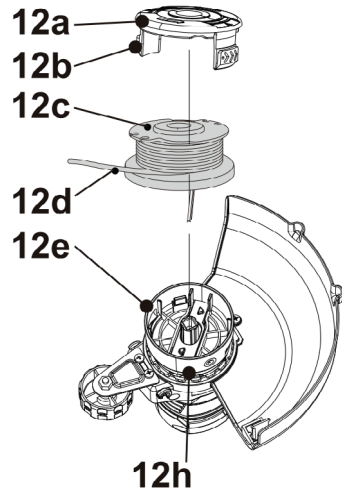
Wymień szpulę, gdy jest pusta lub zużyta.

- ☼ Odwróć produkt do góry nogami, aby dotrzeć do żyłki tnącej.
- ☼ Jedną ręką mocno przytrzymaj głowicę strunową (12). Naciśnij zatrzaski zwalniające (12b) po obu stronach, a następnie podnieś pokrywę (12a) i zdejmij ją (rys. 23).
- ☼ Wyjmij szpulę (12c) z osłony (12e) (rys. 24).

Rys. 23

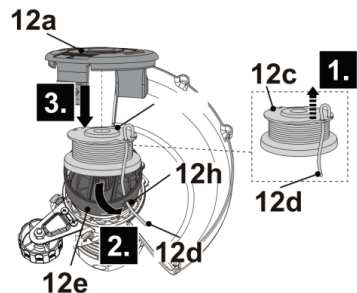


Rys. 24



- \* Przed włożeniem nowej szpuli (12c) tego samego typu należy oczyścić pokrywę (12e).
- \* Wyciągnij linkę z nowej cewki na około 12 cm.
- \* Zwolnij żyłkę tnącą (12d) z nacięć i przytrzymaj ją. Nie dopuść do poluzowania się żyłki tnącej (12d) ze szpuli (12c) (rys. 25, krok 1).
- \* Przewlec koniec żyłki tnącej (12d) przez oczko (12h) w ostonie (12e) (rys. 25, krok 2).
- \* Szpulę (12c) należy włożyć w pokrywę (12e) (rys. 25, krok 3). Obróć szpulę (12c) tak, aby zatrzasknęła się w odpowiednim miejscu.
- \* Ponownie załóż pokrywę (12a) i upewnij się, że zatrzasknęła się we właściwym położeniu.

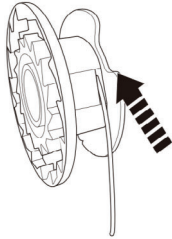
Rys. 25



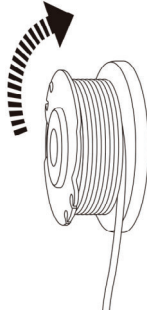
### Uzupełnianie żyłki tnącej w szpuli

- \* Odwróć produkt do góry nogami, aby dotrzeć do żyłki tnącej.
- \* Jedną ręką mocno przytrzymaj głowicę strunową (12). Naciśnij zatrzaski zwalnające (12b) po obu stronach i zdejmij pokrywę (12a).
- \* Wyjmij szpulę (12c) z ostony (12e).
- \* Zlikwiduj resztę żyłki (12d) ze szpuli (12c).
- \* Wyczyść pokrywę (12e) i szpulę (12c).
- \* Przytnij nową żyłkę o długości 4 m ze szpuli (12c) w kierunku strzałek (rys. 26).
- \* Przeciągnij jeden koniec nowej żyłki do przycinania (12d) przez małe oczko na szpuli (12c) w kierunku strzałek (rys. 26).
- \* Rozciągnij i zagnij żyłkę tnącą (12d) (rys. 27).
- \* Nawień mocno całą żyłkę (12d) wokół cewki zgodnie z kierunkiem strzałek na cewce (12c) (rys. 28).

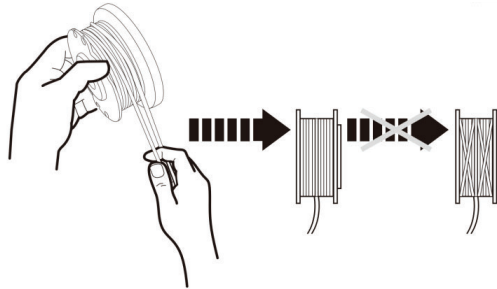
Rys. 26



Rys. 27



Rys. 28



### Przechowywanie

- ✿ Wyłącz produkt i wyjmij akumulator.
- ✿ Wyczyść produkt w sposób opisany powyżej.
- ✿ W razie potrzeby przesunąć koło trymera (13) do pozycji przechowywania.
- ✿ Produkt i jego akcesoria należy przechowywać w ciemnym, suchym i dobrze wentylowanym miejscu, chronionym przed mrozem.
- ✿ Zawsze przechowuj produkt w miejscu, w którym dzieci nie mają do niego dostępu. Idealna temperatura przechowywania wynosi od 10 °C do 30 °C.
- ✿ Zalecamy, aby do przechowywania używać oryginalnego opakowania lub przykryć produkt odpowiednią szmatką lub osłoną przed kurzem.

### Transport

- ✿ Wyłącz produkt i wyjmij akumulator.
- ✿ W razie potrzeby załóż osłonę ostrza (11d).
- ✿ W razie potrzeby przesunąć koło trymera (13) do pozycji przechowywania.
- ✿ Zawsze trzymaj ten produkt za uchwyty (1, 15).
- ✿ Chronić produkt przed silnymi wstrząsami lub wibracjami, które mogą wystąpić podczas transportu produktu w pojazdach.
- ✿ Zabezpiecz produkt tak, aby nie mógł się ześlizgnąć lub spaść.

## 5. ZALECENIA DOTYCZĄCE BEZPIECZEŃSTWA

**⚠ UWAGA! Przeczytaj poniższe instrukcje bezpieczeństwa i obsługi przed rozpoczęciem pracy z tą kosiarką. Zapoznaj się dokładnie z elementami sterującymi oraz właściwym użytkowaniem tego urządzenia. Niniejszy podręcznik użytkownika należy przechowywać w bezpiecznym miejscu, w którym w razie potrzeby można go łatwo znaleźć.**

### Instrukcje bezpieczeństwa dla nowej kosiarki strunowej

- ✿ Podczas pracy z tym narzędziem należy nosić odpowiednie okulary ochronne.
- ✿ Podczas pracy z tym narzędziem należy nosić odpowiednie rękawice ochronne.
- ✿ Nie należy narażać tego narzędzia na działanie deszczu lub wilgoci.
- ✿ Dokładnie zapoznaj się z obsługą i prawidłowym użytkowaniem kosiarki.
- ✿ Nie pozwalaj dzieciom obsługiwać kosiarki. Wszystkie osoby, które będą pracować z tym urządzeniem, muszą zapoznać się z treścią instrukcji obsługi.
- ✿ Podczas pracy upewnij się, że inne osoby (zwłaszcza dzieci) i zwierzęta pozostają z dala od tej kosiarki, ponieważ ścięta trawa może zawierać kamienie lub gruz. Zatrzymaj kosiarkę, jeżeli w pobliżu miejsca pracy znajdują się dzieci, dorośli lub zwierzęta.
- ✿ Zadbaj o to, aby inne osoby (zwłaszcza dzieci) i zwierzęta znajdowały się poza zasięgiem, tj. w odległości co najmniej 15 m od miejsca pracy.
- ✿ Pracuj tylko przy wystarczającym oświetleniu.
- ✿ Przed użyciem kosiarki po jakimkolwiek uderzeniu należy sprawdzić, czy nie ma śladów uszkodzeń i w razie potrzeby zapewnić wykonanie napraw.  
Nie używaj tej kosiarki, jeżeli jest uszkodzona lub jeżeli bezpieczeństwo jej działania nie jest zagwarantowane.
- ✿ Sprawdzaj stan kosiarki w regularnych odstępach czasu, a szczególnie przed każdym użyciem (sprawdzaj zwłaszcza dokręcenie wszystkich śrub i nakrętek oraz założenie osłony zabezpieczającej). Kosiarka, która nie jest w dobrym stanie, nie może być bezpiecznie używana.
- ✿ Pokrywa ochronna musi być trwale zamocowana podczas koszenia.
- ✿ Nie używaj tej kosiarki, jeżeli pokrywa jest uszkodzona.
- ✿ Przed włączeniem kosiarki należy upewnić się, że nylonowa krawędź tnąca nie dotyka ziemi, kamieni lub innych przedmiotów.
- ✿ Trzymaj ręce i stopy z dala od obracającej się żyłki, zwłaszcza po uruchomieniu silnika.
- ✿ Należy chronić się przed obrażeniami spowodowanymi przez obracającą się żyłkę, pamiętając, że obrót żyłki może trwać jeszcze przez jakiś czas po wyłączeniu narzędzia. Po wysunięciu żyłki należy przywrócić kosiarkę do pierwotnej pozycji roboczej.
- ✿ Nie należy używać metalowych żyłek do cięcia trawy.
- ✿ Zawsze używaj wyłącznie oryginalnych części zamiennych.
- ✿ Zawsze odłączaj akumulator przed rozpoczęciem prac czyszczących lub konserwacyjnych lub po zakończeniu użytkowania kosiarki.
- ✿ Upewnij się, że otwory wentylacyjne są zawsze wolne.
- ✿ Unikaj przypadkowego uruchomienia kosiarki. Nigdy nie noś kosiarki z palcem na przelączniku spustowym.
- ✿ Podczas obsługi tej kosiarki należy upewnić się, że znajduje się ona w bezpiecznej i stabilnej pozycji.
- ✿ Przed uruchomieniem kosiarki należy sprawdzić miejsce pracy i usunąć druty, kamienie, gruz itp.

- ☼ Nie należy kosić w pobliżu twardych przedmiotów. Może to spowodować obrażenia ciała lub uszkodzenie tej kosiarki.

**⚠ UWAGA!** Ruchome części obracają się jeszcze przez jakiś czas po wyłączeniu kosiarki.

- ☼ Nie próbuj zatrzymać żyłki (nylonowej) rękami! Pozwól, aby żyłka do podkaszania pracowała dzięki własnej bezwładności.
- ☼ Nie używaj tej kosiarki do koszenia trawy, która nie ma kontaktu z podłożem, np. trawy rosnącej na skalniakach, ścianach itp.
- ☼ Nie zbliżaj kosiarki do powierzchni utwardzonych, chodników żwirowych itp. gdy ostrze podkaszarki wciąży się obraca.

## Wskazówki bezpieczeństwa dotyczące akumulatorów i ładowarki

### Akumulator

- ☼ Nigdy nie należy demontować akumulatora.
- ☼ Nie należy narażać akumulatora na działanie wody.
- ☼ Nie wolno wrzucać akumulatora do ognia, gdyż istnieje ryzyko wybuchu!
- ☼ Nie należy przechowywać akumulatora w miejscach, gdzie temperatura może przekroczyć 40 °C.
- ☼ Nie należy pozostawiać akumulatora w ładowarce po zakończeniu ładowania. W przeciwnym razie z akumulatora może wyciekać elektrolit.
- ☼ Ładuj tylko w temperaturze pokojowej.
- ☼ Do ładowania akumulatora należy używać wyłącznie oryginalnej ładowarki dostarczonej z narzędziem.
- ☼ Przed ładowaniem upewnij się, że akumulator jest suchy i czysty.
- ☼ Należy używać wyłącznie typów akumulatorów zatwierdzonych przez producenta tego narzędzia.
- ☼ Nie należy wyrzucać akumulatora wraz z normalnymi odpadami domowymi, lecz oddać ją do odpowiedniego punktu zbiórki.
- ☼ W ekstremalnych warunkach istnieje ryzyko wycieku elektrolitu z akumulatora. W przypadku wystąpienia wycieku elektrolitu należy wykonać następujące czynności:
  - Ostrożnie wytrzyj elektrolit suchą szmatką. Unikaj kontaktu ze skórą.
  - Jeżeli dojdzie do kontaktu ze skórą lub oczami, postępuwać zgodnie z poniższymi instrukcjami.
- ☼ Akumulator zawiera roztwór wodorotlenku potasu o stężeniu 25–30%, który może mieć szkodliwe działanie. Jeżeli dojdzie do kontaktu ze skórą, natychmiast przemyj dużą ilością wody. Zneutralizuj dotknięte miejsce łagodnym kwasem, takim jak sok z cytryny lub ocet. W przypadku kontaktu z oczami, przemyj dokładnie wodą (przez co najmniej 10 minut) i zasięgnij porady lekarza.

**📖 UWAGA:** Stosowane są akumulatory Li-Ion. Nie należy wyrzucać akumulatora do odpadów domowych, ognia lub wody. Akumulatory należy utylizować w sposób nie zagrażający środowisku.

### Ładowarka

- ☼ Nigdy nie wymieniaj żadnego przewodu elektrycznego, gdyż może dojść do obrażeń!
- ☼ Ładowarki należy używać wyłącznie do ładowania oryginalnych baterii dostarczonych z tym produktem. Ładowanie akumulatora innego typu może spowodować spontaniczne spalanie, poważne obrażenia ciała i uszkodzenie mienia.
- ☼ Tylko dwa akumulatory mogą być ładowane w bezpośrednim następstwie, w przeciwnym razie ładowarka może się przegrzać. Przed ponownym ładowaniem należy odczekać, aż ładowarka ostygnie.
- ☼ Po zakończeniu procedury ładowania należy odłączyć ładowarkę od gniazda zasilania i wyjąć akumulator.
- ☼ Nie pozostawiaj akumulatora w ładowarce.

- ✿ Podczas przenoszenia nie należy trzymać ładowarki za kabel lub wtyczkę. Podczas odłączania kabla zasilającego ładowarki z gniazdka sieciowego nie należy ciągnąć za sam kabel, lecz za jego wtyczkę. Chronić ładowarkę przed wysoką temperaturą i przed kontaktem z ostrymi przedmiotami.
- ✿ Nigdy nie próbuj ładować akumulatorów, które nie są przeznaczone do ładowania.
- ✿ Nigdy nie używaj ładowarki, jeżeli kabel jest w jakikolwiek sposób uszkodzony.
- ✿ Nie narażać ładowarki na działanie wody lub deszczu i nie eksploatuj jej w wilgotnym środowisku.
- ✿ Nie należy zdejmować pokrywy ładowarki.
- ✿ Nie demontuj ładowarki.
- ✿ Nie należy używać ładowarki na zewnątrz, ponieważ jest ona przeznaczona wyłącznie do użytku wewnętrznego.

## 6. DANE TECHNICZNE

NR MODELU	FZS 70105-0
Napięcie znamionowe	18 V
Znamionowa prędkość obrotowa biegu jałowego n <sub>0</sub>	8000 min <sup>-1</sup>
Szerokość pokosu	23 cm
Żyłka tnąca	Niemetaliczna, Ø 1,6 mm, długość 4 m
Klasa ochrony	III
Masa	ok. 1,3 kg
Wymiary	ok. 1100 × 240 × 320 mm

### Akcesoria

Numer pozycji	Akcesoria
FDUZ 79020	Akumulator 2 Ah
FDUZ 79040	Akumulator 4 Ah
FDUZ 79100	Szybka ładowarka
FDUZ 79110	Szybka podwójna ładowarka

Wartości akustyczne zostały określone zgodnie z kodem badania hałasu w normie EN 50636-2-91, z wykorzystaniem podstawowych norm EN ISO 11201 i EN ISO 3744.

Poziomy natężenia dźwięku u operatora mogą przekraczać 80 dB (A) i konieczne jest zastosowanie środków ochrony słuchu.



## 7. KONSERWACJA I PRZECHOWYWANIE

### Konserwacja

- ✿ Po zakończeniu pracy wyjmij baterię z kosiarki.
- ✿ Korzystaj wyłącznie z części zamiennych zatwierdzonych przez producenta.
- ✿ Aby zapewnić idealny stan kosiarki, należy przechowywać jej części - szpule - w zamkniętej torbie.
- ✿ Wyjmij baterię przed czyszczeniem urządzenia. Do czyszczenia należy używać wyłącznie szmatki zwilżonej wodą (można także użyć roztworu mydła). Nie zanurzaj kosiarki żyłkowej w wodzie. Nie kieruj strumienia bieżącej wody na kosiarkę żyłkową (na przykład z węża ogrodowego). Do tego narzędzia nie może przedostać się żadna woda. Nie czyść narzędzia myjką ciśnieniową.
- ✿ Nóż do skracania na krawędziach osłony może się z czasem stępić. Zalecamy regularne sprawdzanie ostrości tego noża.

### Przechowywanie

- ✿ Kosiarkę żyłkową należy przechowywać tylko w suchym miejscu.
- ✿ Nie kładź żadnych przedmiotów na urządzenie.
- ✿ Pod koniec sezonu dokonaj ogólnego przeglądu kosiarki żyłkowej i usuń resztki trawy.
- ✿ Jeżeli wymagana jest naprawa, skontaktuj się z autoryzowanym centrum serwisowym lub sprzedawcą.

## 8. USUWANIE USTEREK

Usterka/awaria	Przyczyna	Rozwiązanie
Produkt nie działa	Czy bateria nie jest rozładowana?	Ładowanie akumulatora.
	Czy bateria jest prawidłowo zainstalowana w narzędziu?	Ponownie włóż akumulator do urządzenia.
	Czy narzędzie jest uszkodzone?	Skontaktuj się z autoryzowanym serwisem.
Narzędzie wibruje	Czy narzędzie jest czyste? Czy na szpuli i w osłonie bezpieczeństwa zgromadziła się duża ilość trawy?	Wyczyść narzędzie, usuń ścinki trawy znajdujące się pomiędzy szpulą tnącą a osłoną bezpieczeństwa.
	Czy szpula tnąca została prawidłowo włożona do urządzenia?	Włóż prawidłowo szpulę do urządzenia.

## 9. UTYLIZACJA



Sprzęt ten, akcesoria i opakowania muszą być posortowane w celu zapewnienia ich przyjaznego dla środowiska recyklingu.

Nie wyrzucaj narzędzi elektrycznych i baterii lub akumulatorów do odpadów komunalnych!

### Wyłącznie dla krajów Unii Europejskiej:



Zgodnie z Dyrektywą Europejską 2012/19/UE i zgodnie z Dyrektywą Europejską 2006/66/WE elektronarzędzia, które nie nadają się już do użytku oraz uszkodzone lub zużyte baterie/akumulatory należy posortować oddzielnie i zutylizować w sposób nie zagrażający środowisku.

#### WSKAZÓWKI I INFORMACJE DOTYCZĄCE UTYLIZACJI OPAKOWAŃ.

Wszelkie zużyte opakowania należy przekazać do miejsca określonego przez lokalny urząd zajmujący się utylizacją odpadów.

#### UTYLIZACJA ZUŻYTYCH URZĄDZEŃ ELEKTRYCZNYCH I ELEKTRONICZNYCH



Ten symbol umieszczony na produktach lub w załączonej dokumentacji oznacza, że zużyte urządzenia elektryczne i elektroniczne nie mogą być wyrzucane do kosza na śmieci. Przekaż te produkty do właściwego punktu zbiórki odpadów, gdzie zostanie przeprowadzona ich prawidłowa utylizacja, renowacja lub recykling. W niektórych krajach Unii Europejskiej lub w niektórych państwach europejskich przy zakupie nowego, odpowiedniego produktu można dokonać zwrotu zużytego produktu lokalnemu sprzedawcy. Przez prawidłową utylizację tego produktu przyczyniasz się do ochrony cennych zasobów naturalnych i zapobiegasz ewentualnemu negatywnemu wpływowi odpadów na środowisko naturalne i zdrowie ludzkie, do którego mogłoby dojść w wyniku nieprawidłowej utylizacji odpadu. Szczegółowych informacji udzielą lokalne urzędy lub najbliższy punkt zbiórki odpadów. Nieprawidłowa utylizacja tego rodzaju odpadów może podlegać karom pieniężnym zgodnie z obowiązującymi przepisami krajowymi.

#### Dla firm w krajach Unii Europejskiej

Jeśli chcesz zutylizować urządzenia elektryczne lub elektroniczne, zasięgnij informacji u swego sprzedawcy.

#### Utylizacja wyrobu w krajach poza Unią Europejską

Jeżeli chcesz zutylizować ten produkt, zasięgnij niezbędnych informacji w lokalnych urzędach lub u sprzedawcy.



Produkt spełnia wszelkie podstawowe wymagania wszystkich właściwych dyrektyw UE.

Tekst, design i specyfikacje techniczne mogą ulec zmianie bez uprzedzenia. Zastrzegamy sobie prawo do dokonania tych zmian.

Instrukcja obsługi w języku oryginału.

# 10. DEKLARACJA ZGODNOŚCI

# FAST<sup>®</sup>

**FAST ČR, a.s.**

U Sanitasu 1621, 251 01 Říčany, Czech Republic  
tel.: +420 323 204 111, fax: +420 323 204 110

## DEKLARACJA ZGODNOŚCI

**Produkt / marka:** Cordless Grass Trimmer / **FIELDMANN**

**Typ / model:** **FZS 70101-0** as factory model L05-001A  
DC 18V (battery powered); cutting length 230mm; Class III; IPX0  
LPA = 68,3 dB(A); LWA = 88 dB(A)

**Producent:** FAST ČR, a.s.  
U Sanitasu 1621, 251 01 Říčany, Czech Republic  
VAT no: CZ24777749

Niniejsza deklaracja zgodności wydawana jest na wyłączną odpowiedzialność producenta.

### Produkt spełnia wymagania następujących przepisów:

Directive MD 2006/42/EC

Directive EMC 2014/30/EU

Directive NEOE 2000/14/EC

Directive RoHS 2011/65/EU

### i norm:

EN 60335-1:2012+AC+A11+A13+A1+A14+A2

EN 55014-1:2017+A11

EN 50636-2-91:2014

EN 55014-2:2015

EN 62233:2008+AC



**Opublikowano w Pradze**

**Jmię i nazwisko:** Petr Uher - Responsible Person

**Data:** 30. 9. 2022

**Podpis i pieczętki:**

**FAST** FAST ČR, a.s.  
U Sanitasu 1621, 251 01 Říčany  
tel.: +420 323 204 111  
IČO: 247 77 749, DIČ: CZ 247 77 749

IČO: 24777749, DIČ: CZ24777749

Bankovní spojení: Komerční banka Praha 1, č.ú. 89309011/0100, ČSOB Praha 1, č.ú. 8010-0116233383/0300

Česká spořitelna Praha 4, č.ú. 2375682/0800



**20V** Li-ION  
**FASTPOWER**



 **FIELDMANN**<sup>®</sup>  
Home & Garden Performance