

EN ■ User Manual

CZ ■ Uživatelská příručka

SK ■ Používateľská príručka

HU ■ Felhasználói kézikönyv

PL ■ Podręcznik użytkownika

Electric scooter

Elektrická koloběžka

Elektrická kolobežka

Elektromos roller

Hulajnoga elektryczna

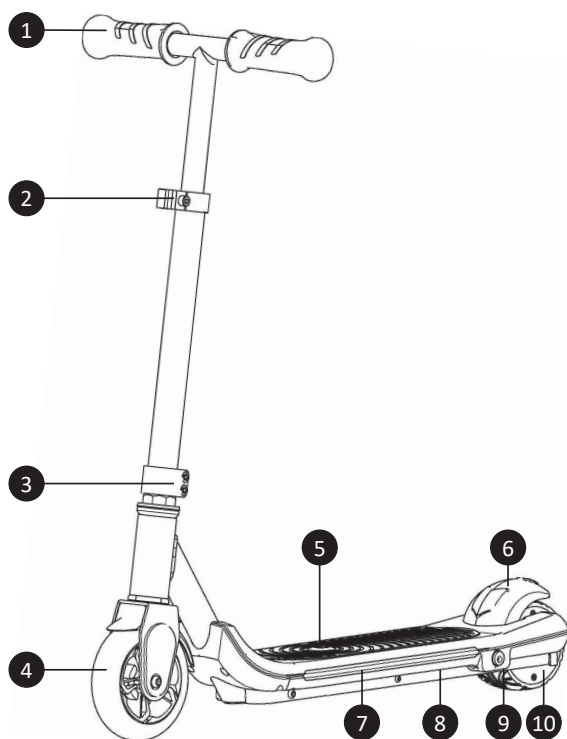
Table of Contents

1. Supply Content	4
2. Sencor Scooter K5 Description.....	4
3. Before First Use.....	5
4. Assembling the Sencor Scooter K5	5
5. Charging.....	6
6. Driving	7
7. Safety Instructions	8
8. Maintenance and Adjustment	9
9. Waterproof IPX4	10
10. Technical Specifications.....	11

1. Supply Content

1 x	Sencor Scooter K5
1 x	Charging Adapter
1 x	Allen key
2 x	Handlebar Allen bolt
1 x	Top handlebar clamp
1 x	Bar clamp
1 x	User manual

2. Sencor Scooter K5 Description



1	Handlebar – height adjustable
2	Handlebar height adjustment locking clamp
3	Clamp for attaching handlebar bar to front fork
4	Front wheel with LED effect
5	Electric motor starter
6	Rear mudguard/brake
7	LED effects
8	Scooter body with battery and control unit storage
9	Charging connector
10	Electric motor with LED effect

3. Before First Use

Follow the steps before starting the electric scooter for the first time.

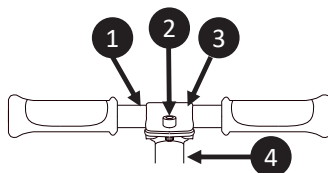
- Assemble the electric scooter according to the chapter: Assembling the Sencor Scooter K5
- Adjust the handlebar height correctly.
- Check that all nuts and bolts are tightened.

Before each ride, check the tightening and fixing of all detachable parts. If any of the bolts, Allen bolts or nuts are loose, tighten them with the appropriate tool.

- Charge the battery to full capacity

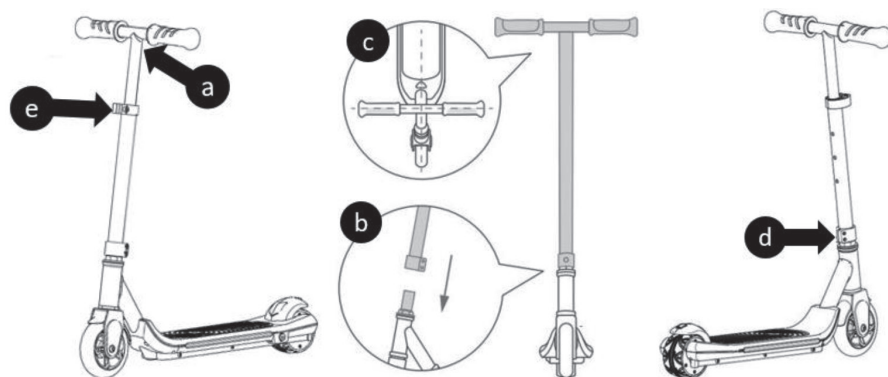
4. Assembling the Sencor Scooter K5

- a) Attach the handlebars to the bar. The spike on the bar must fit into the handlebars. Then cover the handlebar with the top clamp. The holes for the Allen bolts must be in one axis. Insert the Allen bolts and tighten them lightly by hand. Finally, **tighten** the bolts **firmly** with the supplied Allen key.



1 – handlebar, 2 – Allen bolt, 3 – clamp, 4 – bar

- b) Slide the bar onto the outlet of the front fork. The tube must be pushed in as far as it will go. The handlebar height adjustment spikes will point towards the rider.
- c) Align the front wheel and the handlebar so that they are on axis as shown.
- d) **Firmly tighten** the two Allen bolts of the “attaching clamp No. 3 in the main illustration” using the Allen key provided.
- e) Set the correct handlebar height using the “locking clamp No. 3 in the main illustration”. The height of the handlebar is adjusted according to the size of the rider, so that he/she can control the electric scooter in the best possible way.
- f) Check that the bar is correctly assembled and adjusted.



5. Charging

The charging is performed with the supplied charging adapter. First of all, uncover the rubber cap of the charging connector in the Sencor Scooter K5 and connect the charging adapter “Charging connector No. 9 in the main illustration”. Then connect the charging adapter to your power outlet. When the charging process is finished and the charging adapter is disconnected, cover the charging connector opening again with the rubber cap. Regularly check if the protective cap covers the charging connector whenever the charging does not take place.



CAUTION:

For charging, use only the original accessories supplied with the appliance. When the battery operating time becomes very short, the battery lifetime has been used up; we recommend that you have the battery replaced at your authorized centre. Do not charge your electric scooter in enclosed spaces and without supervision.

Recommendation:

If the unit is not to be used for an extended period of time, we recommend to fully charge the battery once every two to three months. We do not recommend storing the unit with a flat battery to prevent irreparable damage to the battery (loss of capacity).

6. Driving

- Before each ride, check the full function of the mechanical brake “rear mudguard No. 6 in the main illustration”, If the rear mudguard is badly worn and the brake is not working or is less effective, have the rear mudguard replaced by an authorised service centre.
- Place one foot on the scooter’s footplate at the electric motor starter “No. 5 in the main picture” and push off the ground slightly with the other foot. An acoustic signal announces the start of the Sencor Scooter K5 electric scooter.
- Once you set the scooter in motion, the preset speed will be maintained until you release the electric motor starter “No. 5 in the main illustration” or brake to a complete stop. Once the scooter is moving under its own power, place the other foot on the scooter surface so that it is ready to press the rear mudguard to a safe stop at any time.
- Stopping is essential for safe driving of the Sencor Scooter K5. Press the “rear mudguard No. 6 in the main illustration” with your foot so that the rear wheel slows down or stops. When the rear mudguard comes to a complete stop, the electric motor will be heard for a few seconds before it shuts off.
- Try your first turn on a flat surface and at slow speed without the electric motor running. To turn, move your centre of gravity slightly by tilting gently to the desired direction of travel and slowly turning the handlebars.
- When you have finished riding, wait in the idle state until the Sencor Scooter K5 electric scooter switches off. During the shutdown process, do not press the electric motor starter “No. 5 in the main illustration”. Shutdown will be accompanied by an acoustic signal. Carefully lean the electric scooter against a solid wall where you know it will not be damaged. Avoid leaning on glass surfaces, doors, sliding gates and moving objects. Secure the electric scooter to prevent injury to persons and animals.

**CAUTION:**

Never overload the Sencor Scooter K5 electric scooter to avoid damaging, bending or breaking parts on it. Mechanical damage cannot be claimed under warranty repair.

7. Safety Instructions

**During each ride, use helmet and protectors to prevent injury in case of falling.
Always have adult supervision nearby!**

This electric Sencor Scooter K5 is designed for entertainment and recreational use. This is not a means of transport. Observe the safety of everyone in both private and public areas, follow the instructions below as well as local traffic regulations.

When meeting pedestrians, pay close attention to your ride and make sure pedestrians are aware of your presence.

Higher driving speed means automatically a longer braking path. Keep safe speed in case of unexpected need to stop and keep a safe distance from others. Even on a flat surface, you may encounter situations or terrain that cause you to lose balance, skid or other unexpected situations that can cause you to fall. Always pay close attention to driving.

Check the “rear mudguard No. 6 in the main illustration” mechanical brake, battery charge status, wear of components and wheels before each ride. In case of loose parts or unusual noises, carry out a thorough check and contact an authorised service centre if necessary.

Neither the manufacturer nor the distributor are liable for any financial damages, injuries, accidents, legal disputes or conflicts resulting from non-observance of the safety instructions.

- Do not drive in the rain and avoid slippery surfaces.
- If you encounter an obstacle on your way, stop and carry the scooter over the obstacle.

Exercise caution when passing through low ceilinged areas.

- Do not accelerate downhill and always brake well in advance. If you encounter a steep descent (e.g. a steep hill), stop and guide your scooter.
- Do not start the electric motor while pushing the scooter.
- Always avoid obstacles.
- Avoid carrying heavy luggage on the handlebar.
- When riding, always keep both feet on the scooter's footplate and one of your feet ready to apply the brake “rear mudguard No. 6 in the main illustration”.
- Operate Sencor Scooter K5 in designated driving areas. Observe the local regulations of the regions, parks, cities and states where you want to operate the scooter.
- Do not turn sharply at high speeds.
- Do not ride through puddles, water or in rain.
- Do not ride with other person even in case of children.

- Always hold on the handlebar.
- Do not try to ride up the stairs, down the stairs or jump with your electric scooter. The wheels of the electric scooter must be in contact with the riding surface at all times.

- **Warning. Not suitable for children under 3 years of age.**
- **Warning. Wear protective equipment (e.g. helmet, gloves, knee and elbow pads). Do not use in road traffic conditions. This product is not intended for use on the road. The maximum weight of the child is 60 kg. The maximum achievable speed is 8 km/h.**
- **Warning. Using the product anywhere other than on private property creates the possibility of damage to other people's property or the risk of injury. This is not a means of transport. Keep everyone safe in private and public spaces.**
- **Warning. Use only under direct adult supervision.**

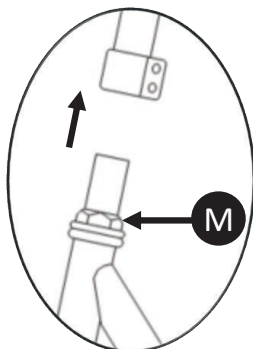
8. Maintenance and Adjustment

Regular maintenance and correct adjustment of all parts of the electric scooter prolongs its life. Clean the individual parts of the scooter with a damp cloth and then use preservative oil on the metal parts of the scooter, such as bolts, clamps and handlebars.

Before each ride, check the tightening and fixing of all detachable parts. If any of the bolts or nuts are loose, tighten them with the appropriate tool.

Before the first ride, it is necessary to perform a complete visual inspection of the individual parts of the Sencor Scooter K5 electric scooter. Contact a specialised provider (e.g. a bike service) for proper adjustment. Adjustment and assembly cannot be made under warranty or post-warranty service at the manufacturer or distributor.

Steering knuckle adjustment – Adjustment of the steering knuckle is done by properly adjusting and tightening the “M” nuts. First loosen the clamp bolts and remove the bar. Then loosen the lock nut (top nut) with the appropriate wrench. Sensitively tighten the main nut so that the front fork still works with the wheel turning gently. Then hold the main nut with the appropriate wrench and tighten the lock nut with the other wrench to prevent loosening. Attach the bar and tighten everything properly.



M – 2x nut (main nut, lock nut)

9. Waterproof IPX4

The Sencor Scooter K5 electric scooter is waterproof to IPX4 specification, provided the individual parts are not damaged, the bolts are not loose and the charging connector cover covers the charging input.

IPX4 definition – protected against splashing water. Water is splashed on the device at all angles, at a rate of 10 litres per minute and at a pressure of 80-100kN/m² for 5 minutes.

Therefore, follow these points to avoid damage to the Sencor Scooter K5 electric scooter:

- Never use a high-pressure water wash to clean the electric scooter.
- Avoid driving through puddles.
- Make sure that the electric scooter does not get wet.

10. Technical Specifications

Drive
Engine power 60 W
Maximum speed up to 8km/h
Travel range up to 8km
Maximum pitch angle up to 5°
Wheels
5" front and 3.5" rear rubber tyres
Foot brake on the rear wheel
Technical Specifications
Maximum load 60 Kg
Dimensions: 83(68) x 63 x 39 cm
Dimensions of the footplate: 30x11.5x7cm
Weight: 4.4 Kg
Working temperature: -10 to 40 ° C
Storage temperature: -20 to 45 ° C
Noise level < 70 dB(A)
Adapter
Input voltage: 100–240V AC 50/60 Hz
Input current: 0.7A
Output voltage: 25.2 V
Connector: Φ 5.5 x 10mm
Battery
Capacity: 2 Ah/44.4 Wh Li-ion
Rated voltage: 22.2 V
Recharging time: up to 3 hours
Protection against: short circuit, overvoltage, overcharging, overheating
Protecting the Battery Against Excessive Discharging

Charging adapter	Value and precision	Unit
Manufacturer's name or trade mark, commercial registration number and address	Shenzhen Fuyuandian Power Co., Ltd 8F, A9 Building, Tianrui Industrial Park, Fuyong Town, Baoan District, Shenzhen, 518103 Guangdong, P.R. China	-
Model identifier	FY0182520700E	-
Input voltage	100-240	V
Input AC frequency AC	50/60	Hz
Output voltage	25.2	V
Output current	0.7	A
Output power	17.64	W
Average active efficiency	85.23	%
Efficiency at low load (10 %) 10%	84.3	%
No-load power consumption	0.09	W

INSTRUCTIONS AND INFORMATION ON DISPOSING OF USED PACKAGING MATERIALS

Take the packaging material to a designated municipal waste facility.



DISPOSING OF USED ELECTRICAL AND ELECTRONIC EQUIPMENT

This symbol on products or original documents means that used electric or electronic products must not be added to standard municipal waste. For proper disposal and recycling, take these products to designated collection points. Or in some European Union states or other European countries the products can be returned to the local retailer when buying an equivalent new product. Correct disposal of this product helps save valuable natural resources and prevents damage to the environment caused by improper waste disposal. Ask your local authorities or collection facility for more details. In accordance with national regulations penalties may be imposed for the incorrect disposal of this type of waste.

For business entities in European Union states

If you want to dispose of electric or electronic devices, ask your retailer or supplier for the necessary information.



Disposal in other countries outside the European Union

This symbol is valid in the European Union. If you wish to dispose of this product, request the necessary information about the correct disposal method from the local council or from your retailer.

FAST CR, a.s. hereby declares that the radio device type Sencor Scooter K5 conforms to the 2014/53/EU directive.

Changes in the text, design and technical specifications may be made without prior notice and we reserve the right to make such changes.

The original version of the instructions is in the Czech language, other language versions are made by the appropriate translation.

SENCOR®

EN Warranty conditions

Warranty card is not a part of the device packaging.

This product is warranted for the period of 24 months from the date of purchase to the end-user. Warranty is limited to the following conditions. Warranty is referred only to the customer goods using for common domestic use. The claim for service can be applied either at dealer's shop where the product was bought, or at below mentioned authorized service shops. The end-user is obligated to set up a claim immediately when the defects appeared but only till the end of warranty period. The end user is obligated to cooperate to certify the claiming defects. Only completed and clean (according to hygienic standards) product will be accepted. In case of eligible warranty claim the warranty period will be prolonged by the period from the date of claim application till the date of taking over the product by end-user, or the date the end-user is obligated to take it over. To obtain the service under this warranty, end-user is obligated to certify his claim with duly completed following documents: receipt, certificate of warranty, certificate of installation.

This warranty is void especially if apply as follows:

- Defects which were put on sale.
- Wear-out or damage caused by common use.
- The product was damaged by unprofessional or wrong installation, used in contrary to the applicable instruction manual, used in contrary to legal enactment and common process of use or used for another purpose which has been designed for.
- The product was damaged by uncared-for or insufficient maintenance.
- The product was damaged by dirt, accident of force majeure (natural disaster, fire, and flood).
- Defects on functionality caused by low duality of signal, electromagnetic field interference etc.
- The product was mechanically damaged (e.g. broken button, fall).
- Damage caused by use of unsuitable media, fillings, expendable supplies (batteries) or by unsuitable working conditions (e.g. high temperatures, high humidity, quakes).
- Repair, modification or other failure action to the product by unauthorized person.
- End-user did not prove enough his right to claim (time and place of purchase).
- Data on presented documents differs from data on products.
- Cases when the claiming product cannot be indentified according to the presented documents (e.g. the serial number or the warranty seal has been damaged).

Manufacturer:

FAST ČR, a.s., U Sanitasy 1621, Říčany 251 01, Czech Republic

Visit www.sencor.com for detailed information about authorized service centers.

The original version of the instructions is in the Czech language, other language versions are made by the appropriate translation.