

FZG 3006

English	3-22
Čeština.....	23-42
Slovenčina	43-62
Magyarul	63-82
Polski	83-102

GAS GRILL

USER'S MANUAL

Thank you for purchasing this Gas grill. Before you start using it, please carefully read this user's manual and save it for possible future use.

CONTENTS

1. GENERAL SAFETY INSTRUCTIONS	4
Safety First!.....	4
GENERAL INFORMATION	6
2. USER'S MANUAL	7
Grill and gas cylinder positioning.....	7
BBQ7.....	7
Gas cylinder.....	7
Connecting the pressure cylinder	7
Gas leak testing.....	9
Lighting Instructions for barbecue.....	10
Things to consider when barbecuing.....	11
Cleaning and maintenance.....	11
Storage	11
SERVICING.....	12
TROUBLE SHOOTING.....	12
Specifications.....	12
3. PARTS DIAGRAM FOR FZG 3006.....	13
4. ASSEMBLY	15
5. PROTECTION OF THE ENVIRONMENT.....	21
6. DISPOSAL.....	21
7. TECHNICAL DATA	22

1. GENERAL SAFETY INSTRUCTIONS

⚠ DANGER

If you smell gas:

1. Shut off gas to the appliance.
2. Extinguish any open flame.
3. Open Lid.
4. If odour continues, immediately call your gas supplier or fire department.

⚠ WARNING!

- ⚠ Improper installation, adjustment, alteration, service or maintenance can cause injury or property damage.
- ⚠ Read the installation, operation, and maintenance instructions thoroughly before installing or servicing this equipment.
- ⚠ Failure to follow these instructions could result in fire or explosion which could cause property damage, personal injury, or death

⚠ DANGER!

DO NOT use gas grill for indoor cooking or heating. TOXIC fumes can accumulate and cause asphyxiation. NOT to be used in or on boats or recreational vehicles.

SAVE THESE INSTRUCTIONS FOR FUTURE REFERENCE. IF YOU ARE ASSEMBLING THIS UNIT FOR SOMEONE ELSE, GIVE THIS MANUAL TO HIM OR HER TO SAVE FOR FUTURE REFERENCE.

IMPORTANT NOTICE: READ ALL INSTRUCTIONS PRIOR TO ASSEMBLY AND USE!

⚠ WARNING

DO NOT store or use gasoline or other flammable vapors and liquids in the vicinity of this or any other appliance.

An gas cylinder not connected for use shall NOT be stored in the vicinity of this or any other appliance.

Safety First!

Read and understand all warnings and precautions prior to operating your grill.

⚠ DANGER

To prevent fire or explosion hazard when testing for a leak:

1. Always perform "leak test" before lighting the grill, each time the cylinder is connected for use.
2. No smoking. Do not use or permit sources of ignition in the area while conducting a leak test.
3. Conduct the leak test outdoors in a well-ventilated area.
4. Do not use matches, lighters, or a flame to check for leaks.
5. Do not use grill until any and all leaks are corrected. If you are unable to stop a leak, disconnect the propane supply. Call a gas appliance serviceman or your local propane gas supplier.

⚠ WARNING

1. This grill is for outside use only, and shall not be used in a building, garage, or any other enclosed area.

2. This grill is for use with propane gas only (propane gas cylinder not included).
3. Never attempt to attach this grill to the self-contained propane system of a camper trailer, motor home or house
4. Never use charcoal or lighter fluid.
5. The use of alcohol, or prescription or non-prescription drugs may impair the consumer's ability to properly assemble or safely operate the appliance.
6. Do not use gasoline, kerosene, or alcohol for lighting!
7. Always open grill lid carefully and slowly as heat and steam trapped within grill can severely burn you.
8. Always place your grill on a hard, level surface far away from combustibles. An asphalt or blacktop surface may not be acceptable for this purpose.
9. DO not attempt to move the grill while it is lit.
10. Do not leave a lit grill unattended especially keep children and pets away from grill at all times.
11. This is not a tabletop grill, therefore; do not place this grill on any type of tabletop surface.
12. Do not operate grill in high winds.
13. Do not use the grill unless it is COMPLETEY assembled and all parts are securely fastened & tightened.
14. Keep all combustible items and surfaces at least 24 inches (61 cm) away from the grill at all times. DO NOT use this gas grill or any gas product under any overhead or near any unprotected combustible constructions
15. Place dust cap on cylinder valve outlet whenever the cylinder is not in use. Only install the type of dust cap on the cylinder valve outlet that is provided with the cylinder valve. Other types of caps or plugs may result in leakage of propane.

⚠ WARNING

1. Do not store spare LP cylinder within 10 feet (3m) of this appliance
2. Do not store or use gasoline or other flammable liquids or vapors within 25 feet (8m) of this appliance.
3. When cooking with oil/grease, do not allow the oil/grease to exceed 350°F (177°C).
4. Do not leave oil/grease unattended.

⚠ CAUTION

- ☼ Do not touch metal parts of grill until it has completely cooled (about 45 min.) to avoid burns, unless you are wearing protective gear (potholders, gloves, BBQ mittens, etc.).
- ☼ Do not use in an explosive atmosphere. Keep grill area clear and free from combustible materials, gasoline and other flammable vapors and liquids.
- ☼ Do not alter grill in any manner.
- ☼ Clean and inspect the hose before each use of the appliance. If there is evidence of abrasion, wear, cuts, or leaks, the hose must be replaced prior to the appliance being put into operation. The replacement hose assembly shall be that specified by the manufacturer.
- ☼ Move gas hoses as far away as possible from hot surfaces and dripping hot grease.
- ☼ Never keep a filled container in a hot car or car trunk. Heat will cause the gas pressure to increase, which may open the relief valve and allow gas to escape.

⚠ CAUTION

- ✿ Liquid propane (LP) gas is flammable and hazardous if handled improperly. Become aware of the characteristics before using any LP product.
- ✿ LP Characteristics: Flammable, explosive under pressure, heavier than air, and settles and pools in low areas.
- ✿ In its natural state propane has no odor. For your safety, an odorant is added that smells like rotten cabbage.
- ✿ Contact with LP can cause freeze burns to skin.
- ✿ This grill is shipped from the factory for LP gas use Only.
- ✿ Never use an LP cylinder with a damaged body, valve, collar, or footing.
- ✿ Dented or rusted LP cylinders may be hazardous and should be checked by your LP gas supplier.

⚠ CAUTION

It is essential to keep the grill's valve compartment, burners, and circulating air passages clean. Inspect grill before each use.

GENERAL INFORMATION

- ✿ PROPANE GAS CYLINDER NEEDED TO OPERATE:
- ✿ This Gas Grill is NOT for commercial use!

- ✿ Liquid propane units must be used with a 20-pound cylinder only.
- ✿ If outdoor cooking gas appliance is not in use the gas MUST be turned off at the supply cylinder.
- ✿ The pressure regulator and hose assembly supplied with the gas grill MUST be used. Replacement regulators and hose assemblies must be supplied by the manufacturer. Please see parts page replacement part #16.

2. USER'S MANUAL

Grill and gas cylinder positioning

BBQ

- ✿ Place the BBQ on a firm, flat and fire-proof surface.
- ✿ Make sure to maintain a safety clearance of at least 60 cm from nearby combustible surfaces.
- ✿ Never move the BBQ when it is lit or still hot from grilling.

Gas cylinder

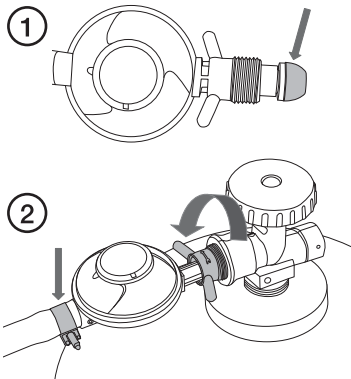
- ✿ Position the gas cylinder in such a way that it is not exposed to continuous sunlight or other sources of heat.
- ✿ The gas cylinder should be placed next to the BBQ when it is being used, not under it.
- ✿ Make sure that the gas hose does not come into contact with any part of the BBQ that will become hot during use. Ensure that it is not under tension, kinked or in danger of being damaged by other objects.
- ✿ Do not keep any gas cylinder inside the barbecue trolley when using. It's forbid to insert / put gas cylinder in to the appliance.

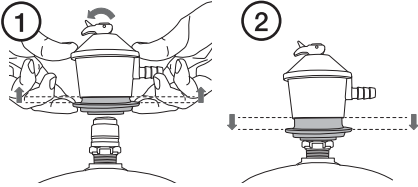
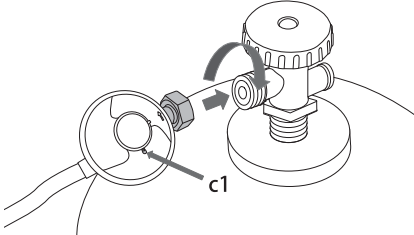
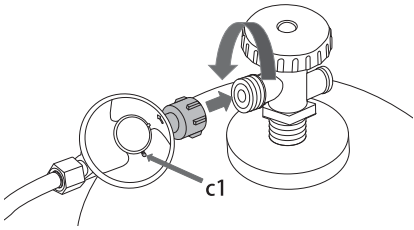
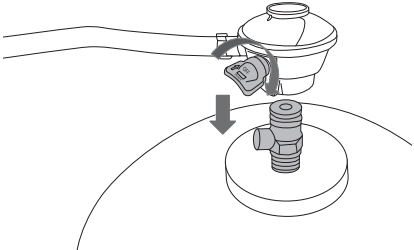
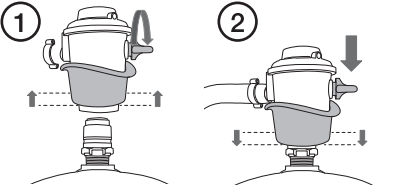
Connecting the pressure cylinder

⚠ Important:

- ✿ Make sure that the regulator is set to OFF before starting to connect the gas cylinder.
- ✿ The appearance of regulators and their method of connection varies from country to country.
- ✿ The following table explains the connection of 6 types of regulator (A-F).

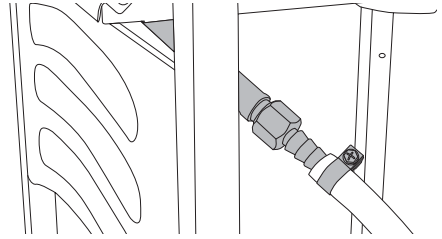
1.

<p>A</p> <ol style="list-style-type: none"> 1. Check the rubber seal on the regulator. If it has been damaged in any way, the regulator must be replaced. 2. Connect the gas hose to the regulator (if it is not already attached) and tighten the hose clamp. Connect the regulator to the gas cylinder by screwing it into the valve connector. The pictured regulator has a left-hand thread. 	 <p>The diagram consists of two parts, labeled 1 and 2. Part 1 shows a top-down view of a gas cylinder valve with a regulator being inserted into its connector. An arrow points to the regulator's inlet. Part 2 shows a side view of the regulator being tightened onto the valve connector. An arrow points to the hose clamp on the regulator's inlet, and another arrow points to the regulator's body being rotated onto the valve.</p>
---	--

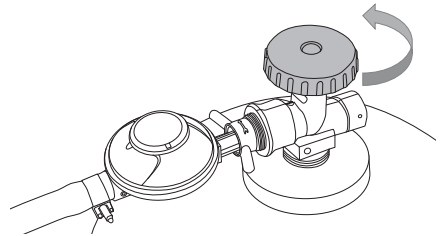
<p>B</p> <ol style="list-style-type: none"> 1. Make sure that the regulator is set to OFF. Lift up the spring-loaded locking collar and fit the regulator onto the top of the gas cylinder. 2. Push the locking collar down until you hear a click. 	
<p>C</p> <p>Connect the regulator to the gas cylinder by turning the lock nut clockwise. Twist the regulator so that the ventilation hole (c1) is at the bottom.</p>	
<p>D</p> <p>Connect the regulator to the gas cylinder by turning the lock nut anticlockwise. Twist the regulator so that the ventilation hole (c1) is at the bottom.</p>	
<p>E</p> <p>Make sure that the regulator is set to OFF. Push the regulator down onto the valve until it clicks into place.</p>	
<p>F</p> <ol style="list-style-type: none"> 1. Make sure that the regulator is set to OFF. Lift up the spring-loaded locking collar and push the regulator down onto the gas cylinder. 2. Push the locking collar down to lock the regulator onto the gas cylinder. 	

2. Connect the gas hose to the BBQ and tighten the hose clamp.

⚠ The picture shows the connection of a gas hose in accordance with Swedish standards. In some countries the gas hose is of a larger diameter and is pushed all the way onto the connector.



3. Open the lid and make sure that the gas control knobs are set to **OFF**.
4. Open the gas cylinder by turning the handwheel anticlockwise.



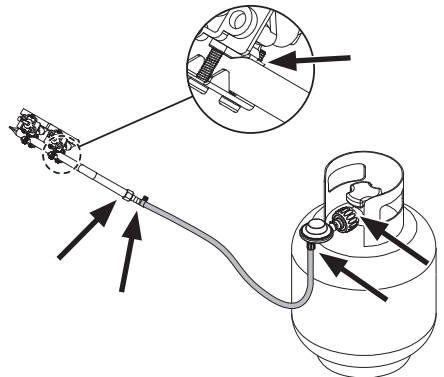
Gas leak testing

- ✿ Always test for gas leaks before using the BBQ after the gas cylinder has been connected.
- ✿ Do not smoke while checking for gas leaks.
- ✿ Do the gas leak test outdoors.
- ✿ Never use a lit match, cigarette lighter or other naked flame to localise a gas leak.

How to perform a gas leak test:

1. Mix up a solution of water and some washing-up liquid.
2. Spray or brush some of the soapy water solution onto the points shown in the picture.

If you detect any leaks (if you find bubbles appearing), make sure that they are sealed before starting to use the product. If you **are unsure about using the bbq**, contact a qualified service technician before using the product.



Lighting Instructions for barbecue

1. Open the hood of the barbecue before attempting to light the burners.
2. Turn all the control knobs clockwise to "OFF" position.
3. Connect the regulator to the gas bottle. Turn the gas supply "ON" at the regulator. Check with the use of soapy water for any gas leakage between the bottle and the regulator.
4. Push down the front left control knob and keep pressing whilst turning anti-clockwise to the "HIGH" position (a clicking sound is heard), this will light the left hand burner. Observe if the burner has lit. If not repeat this process.
5. If the burner has not lit after retrying wait 5 minutes and repeat step 4.
6. Adjust the heat by turning the knob to the High/Low position.
7. If the burner does not light. Light the appliance with a match using the lighting hole in the side of the appliance. Consult your gas dealer to rectify the ignition.
8. To light the remaining burners in sequence from left to right, and repeat 4 above.
9. To turn the barbecue 'OFF' turn the cylinder valve or regulator switch to the 'OFF' position and then turn the control knob on the appliance clockwise to the 'OFF' position.

WARNING!

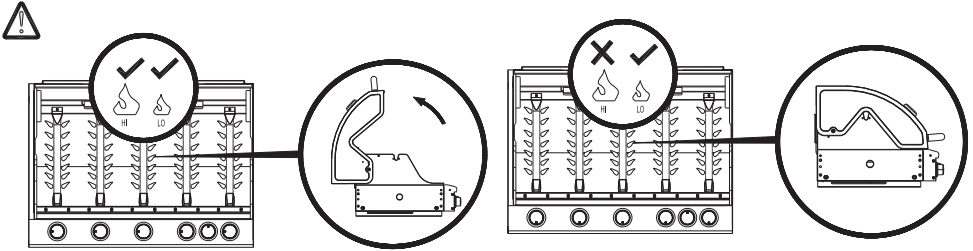
If the burner fails to ignite, turn the control knob off (clockwise) and also turn the cylinder valve off. Wait five minutes before attempting to relight with ignition sequence.

Before cooking for the first time, operate the barbecue for about 15 minutes with the lid closed and the gas turned on LOW. This will "heat clean" the internal parts and dissipate odour from the painted finish.

Clean your barbecue after each USE. DO NOT use abrasive or flammable cleaners, as it will damage the parts of the product and may start a fire. Clean in warm soapy water.

WARNING: Accessible parts may be very hot. Keep young children away from the hot appliance at all times (even while cooling down!).

It is recommended that protective gloves (eg oven gloves) be used when handling particularly hot components.



Things to consider when barbecuing

- ☼ Burn hazard - wear protective gloves.
- ☼ Ensure that the BBQ is placed in an open area. Never use it in an enclosed space or under a roof.
- ☼ Keep children and pets at a safe distance from the BBQ.
- ☼ Never leave the BBQ unattended during use.
- ☼ The lid must never be closed for more than five minutes at a time when barbecuing, otherwise there is a risk of it becoming damaged and discoloured.

Cleaning and maintenance

- ☼ Let the BBQ cool completely and clean the exterior using a damp cloth. Use only mild cleaning agents, never solvents or corrosive chemicals.
- ☼ Check the integrity of the gas hose on a regular basis by flexing it. If you detect any cracks, replace the hose before using the BBQ again.
- ☼ Clean the barbecue carefully if necessary:
 - Remove the regulator from the gas cylinder and place it to one side.
 - Take out the cooking grate and hand wash it carefully.
 - Take out the heat shield plate over the burner and remove it if necessary. If the gas outlets are blocked you can carefully remove any dirt or residue by using an appropriate object.
 - Carefully scrape away any excess grease from the interior of the barbecue with a plastic or wooden implement.
 - You can also carefully wash and dry the interior of the bbq with water and a mild detergent. Make sure that no water gets in to the gas hose and burner.
 - Remove and wash the cup used for collecting grease when necessary.

Storage

- ☼ During the barbecuing season, the BBQ should be placed in a sheltered area outdoors, sheltered from the wind, when not in use.
- ☼ When taking the BBQ in for the winter, clean it according to the Care and Maintenance section.
- ☼ Remove the gas cylinder and make sure that the gas hose is not bent or damaged by other objects.
- ☼ The BBQ should be stored in a dry, dust-free environment out of the reach of children.

SERVICING

Your gas barbecue should be serviced annually by a competent registered person.

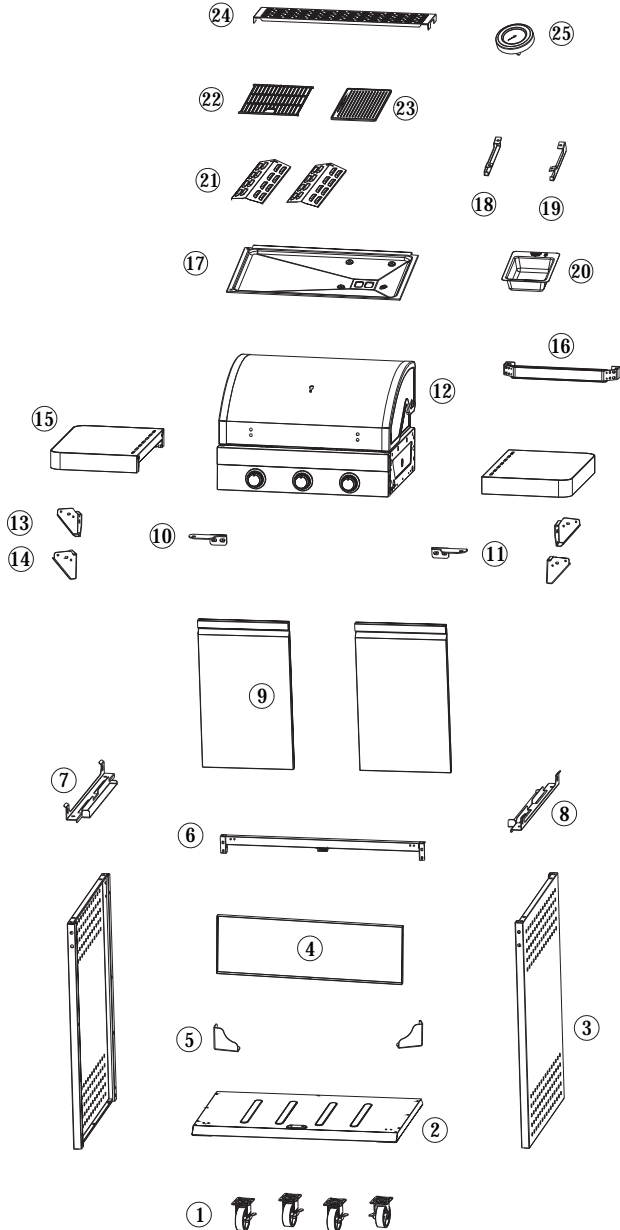
TROUBLE SHOOTING







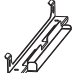







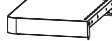



PROBLEM	POSSIBLE CAUSE	SOLUTION
Burners will not light using the ignition system	<ol style="list-style-type: none"> 1. LP gas cylinder is empty 2. Faulty regulator 3. Obstructions in burner 4. Obstructions in gas jets or gas hose 5. Electrode wire loose or disconnected on electrode or ignition unit 6. Electrode or wire is damaged faulty pushbutton igniter 	<ol style="list-style-type: none"> 1. Replace with full cylinder 2. Have regulator checked or replace 3. Clean burner 4. Clean jets and gas hose 5. Reconnect wire 6. Change electrode and wire Change igniter
Burner will not light with a match	<ol style="list-style-type: none"> 1. LG gas cylinder is empty 2. Faulty regulator 3. Obstructions in burner 4. Obstructions in gas jets or gas hose 	<ol style="list-style-type: none"> 1. Replace with full cylinder 2. Have regulator checked or replace 3. Clean burner 4. Clean jets and gas hose
Low flame or flashback (fire in burner tube-a hissing or roaring noise may be heard)	<ol style="list-style-type: none"> 1. LP gas cylinder too small 2. Obstructions in burner 3. Obstructions in gas jets or gas hose 4. Windy conditions 	<ol style="list-style-type: none"> 1. Use larger cylinder 2. Clean burner 3. Clean jets and gas hose 4. Use BBQ in a more sheltered position




















Specifications

UK	
Gas (LPG)	I3+(28-30/37) G30 Butane at 28-30 mbar G31 Propane at 37 mbar
Pressure and type of gas	Butan 28-30 mbar / Propan 37 mbar
Power	3 x 3kW = 9 kW
Consumption	Butan: 654 (g/h) a Propan: 642 (g/h)
Regulator	The regulator that is used must be CE approved
Gas hose	The gas hose that is used must be CE approved (max length 1.5 m)
Ignition	Integrated ignition
Grill size	60 x 42 cm
Dimensions	122 x 57 x 112 cm

3. PARTS DIAGRAM FOR FZG 3006




No.	Part	Qty
1		× 4
2		× 1
3		× 2
4		× 1
5		× 2
6		× 1
7		× 1 (L)
8		× 1 (R)
9		× 2
10		× 1 (L)
11		× 1 (R)
12		× 1
13		× 2 (B)
14		× 2 (F)
15		× 2
16		× 1
17		× 1
18		× 1 (L)


No.	Part	Qty
19		× 1 (R)
20		× 1
21		× 2
22		× 1
23		× 1
24		× 1
25		× 1
A	M5-10	 × 45
B	M4-8	 × 2
C	M4-10	 × 4
D	M5-12	 × 10
E		 × 1
F	M6-22	 × 8
G	M6	 × 8
H		 × 4
I	M6-15	 × 4
J	Φ 28-2	 × 1
K	M5-10	 × 4 (SS)
L	M5-16	 × 8

4. ASSEMBLY

1


A  ×16

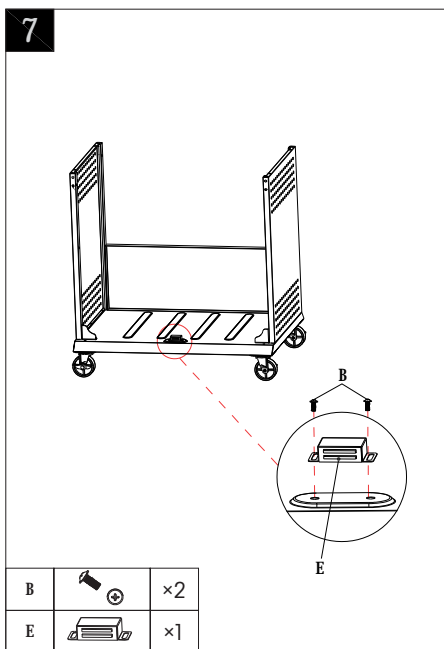
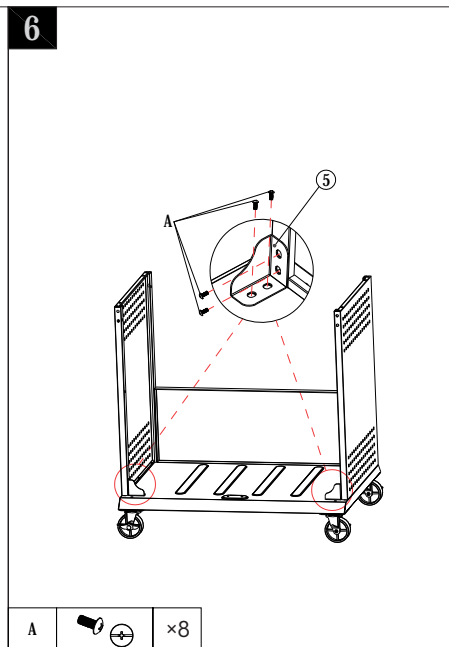
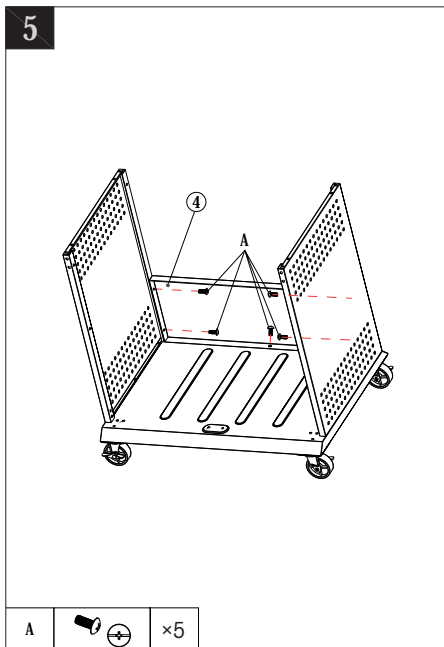
2

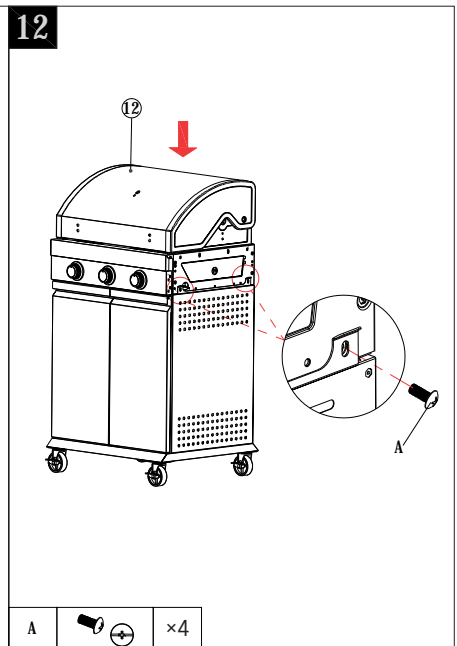
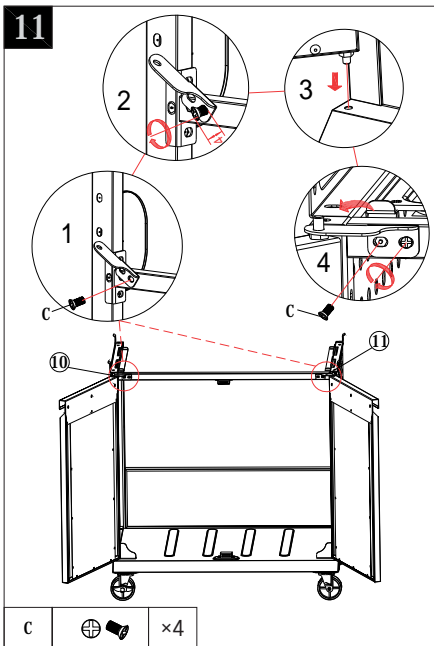
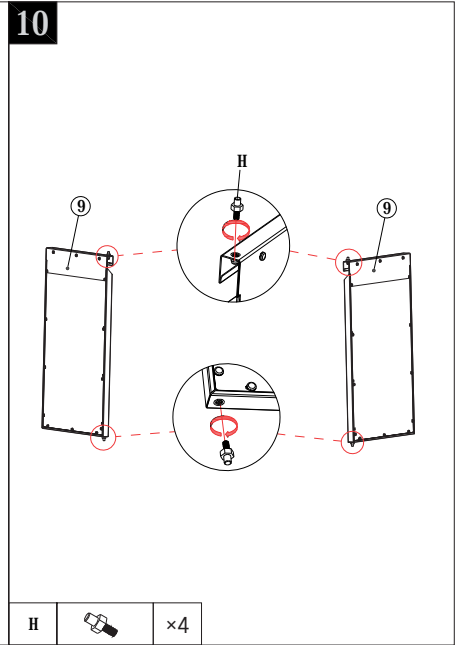
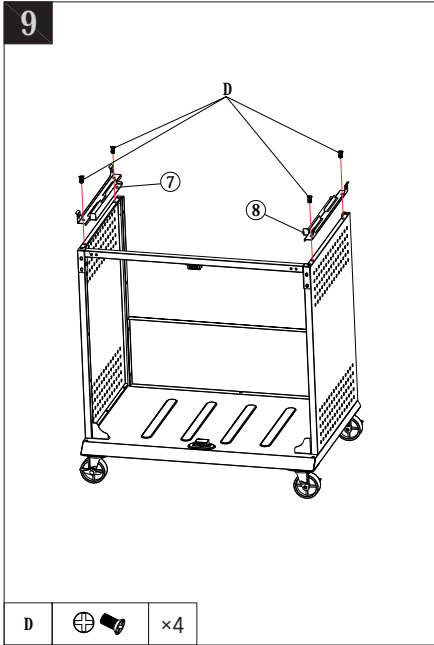
A  ×4

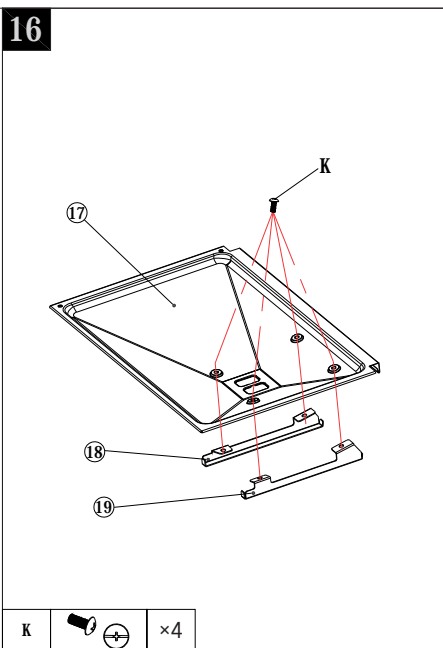
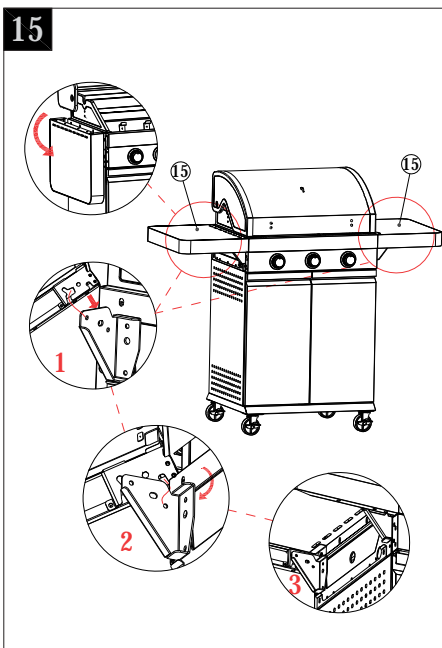
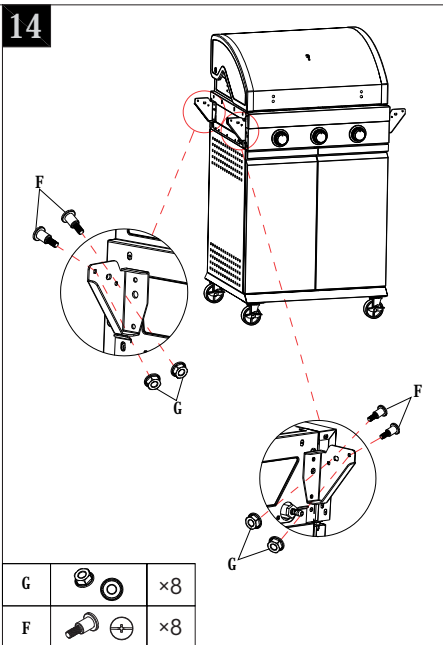
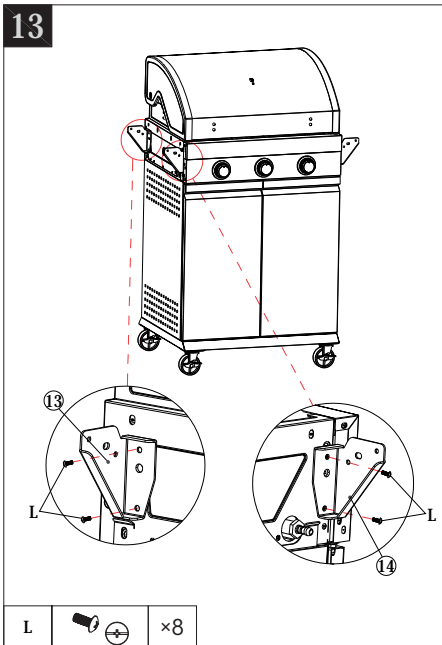
3

4

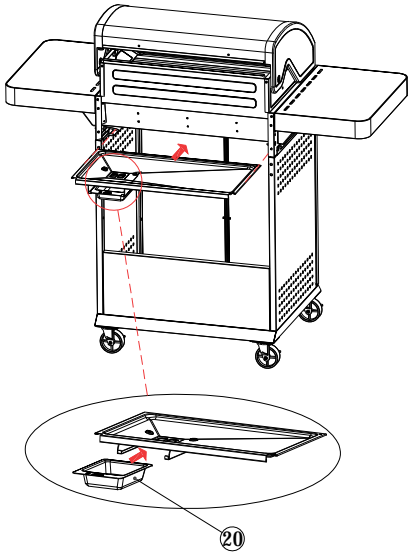
A  ×2



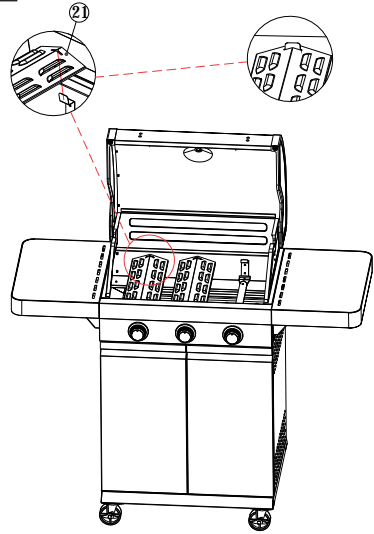




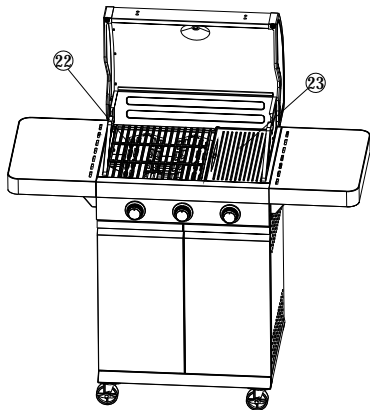
17



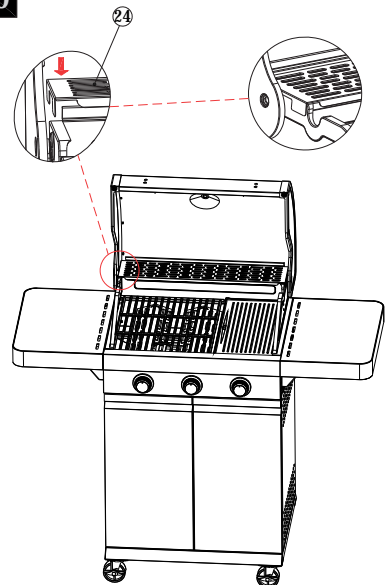
18

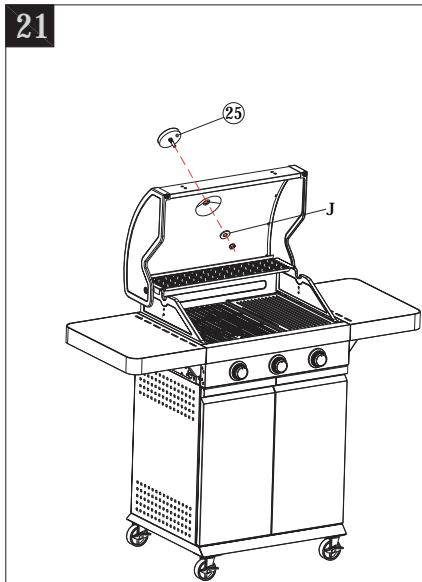


19

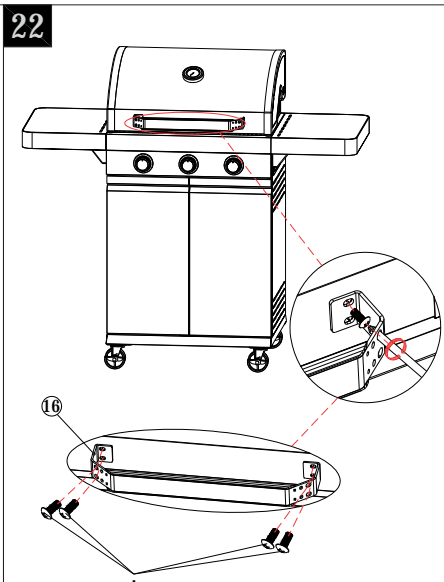


20

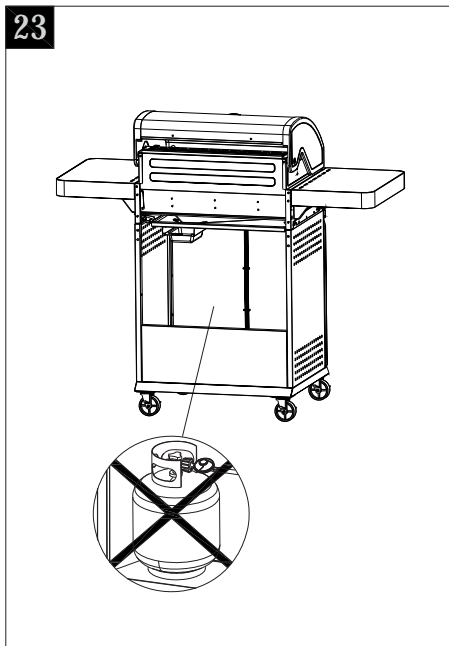




J   ×1



1   ×4



5. PROTECTION OF THE ENVIRONMENT

- ⚠ Warning!** Do not dispose of electrical and electronic waste with standard unsorted waste, rather use containers for sorted waste.
You will receive further information regarding the recycling of this power tool from an authorised vendor or at a waste collection facility.

6. DISPOSAL

INSTRUCTIONS AND INFORMATION REGARDING THE DISPOSAL OF USED PACKAGING MATERIALS

Dispose of used packaging material at a site designated for waste in your municipality.



The machine and its accessories are manufactured from various materials, e.g. metal and plastic.




Take damaged parts to a recycling centre. Inquire at the relevant government department.



This product meets all the basic requirements of EU directives that apply to it.

Changes in the text, design and technical specifications may be made without prior notice and we reserve the right to make these changes.

7. TECHNICAL DATA

Výrobce / Manufacturer / Vyrábca Producent / Gyártó	Ningbo Huige Outdoor Products Co., Ltd No.333Tianhai Road,Binhai New Area Economic Development Zone, Fenghua District, Ningbo City, Zhejiang Province, China		Series	12/2023
Dovozce / Importer / Dowozca/ Importőr	FAST ČR, a.s., U Samitasu 1621, 251 01 Říčany,Czech Republic www.fieldmann.com			0063GN7292
Název výrobku / Product name Názov výrobku / Nazwa produktu Terméknév	Plynový gril / Gas grill / Plynový gril Grill gazowy / Gázűztűhely	Modelové označení / Model number Modelové označenie / Numer modelu Tipuszdán		FZG-3006 Plynový gril FZG-3006 Gas grill FZG-3006 Plynový gril FZG-3006 Grill gazowy FZG-3006 Gáz-űztű
Kategorie plynu / Gas category Kategória plynu / Kategória plynu Gáz kategória	I3+(28-30/37) <input checked="" type="checkbox"/>	I3B/P(30)	I3P(37)	I3P(50)
Druh plynu a tlaku / Type of gas and pressure / Druh plynu a tlaku Rodzaj plynu i ciśnienie / Kategória gazu	Butane at 28-30 mbar and Propane at 37 mbar	Butane / Propane mixture at 30 mbar	Propane at 37 mbar	Propane at 50 mbar
Stát / Country / stáť Kraj / Ország	BE, CH, CY, CZ, ES, FR, GB, GR, IE, IT, LT, LU, LV, PT, SI, SK, TR	BG, CY, CZ, DK, EE, FI, GB, HR, HU, IT, LT, LU, MT, NL, NO, RO, SE, SI, SK, TR	BE, CZ, ES, GB, IE, PT, SI	CZ, DE, ES, NL
Ø vestřikovací trysky do hl. hořáku Ø injection nozzles main burner Ø vstřikovací tryska do hl. hořáka Ø główny dysza wtryskiwaczy Ø befecskendező tűvívákák fő égő	0.82mm	0.82mm	0.82mm	0.72mm
Celkový tepelný výkon Total heat output Celkový tepelný výkon Calkovita moc aleplina Teljes hőfejlesztmény	ΣQ _{ik} : 9 kW / Butan: 654 (g/h) a Propan: 642 (g/h) ΣQ _{ik} : 9 kW / Butane: 654 (g/h) and Propane: 642 (g/h) (3kW x 3) ΣQ _{ik} : 9 kW / bután: 654 (g/h) a propán: 642 (g/h) (3kW x 3) ΣQ _{ik} : 9 kW / Butan: 654 (g/h) i propan: 642 (g/h) (3kW x 3) ΣQ _{ik} : 9 kW / bután: 654 (g/h) és propán: 642 (g/h) (3kW x 3)			
	Vyrobeno v Číně / Made in China / Wyrobiono w Chinach / Wyprodukowano w Chinach / Kínában készült			

PLYNOVÝ GRIL

UŽIVATELSKÁ PŘÍRUČKA

Děkujeme vám za zakoupení tohoto plynového grilu. Před jeho použitím si prosím pozorně přečtete tuto uživatelskou příručku a uschovejte ji pro případné pozdější použití.

OBSAH

1. OBECNÉ BEZPEČNOSTNÍ POKYNY	24
Bezpečnost především!	24
OBECNÉ INFORMACE.....	26
2. UŽIVATELSKÁ PŘÍRUČKA	27
Umístění grilu a tlakové láhve na plyn.....	27
Barbecue gril.....	27
Tlaková láhev na plyn	27
Připojení tlakové láhve.....	27
Test úniku plynu	29
Pokyny pro zapalování pro barbecue gril	30
Na co pamatovat před použitím barbecue grilu.....	31
Čištění a údržba	31
Uskladnění	31
SERVIS	32
ŘEŠENÍ PROBLÉMŮ.....	32
Technické údaje.....	32
3. SCHÉMA DÍLŮ PRO FZG 3006	33
4. SESTAVENÍ	35
5. OCHRANA ŽIVOTNÍHO PROSTŘEDÍ	41
6. LIKVIDACE	41
7. TECHNICKÉ ÚDAJE.....	42

1. OBECNÉ BEZPEČNOSTNÍ POKYNY

⚠ NEBEZPEČÍ

Pokud cítíte plyn:

1. Uzavřete přívod plynu do spotřebiče.
2. Uhasťte jakýkoli otevřený oheň.
3. Otevřete víko.
4. Pokud zápach přetrvává, okamžitě zavolejte vašemu dodavateli plynu nebo požárnímu sboru.

⚠ VAROVÁNÍ!

- ⚙ Nesprávná instalace, seřízení, úpravy, servis nebo údržba mohou způsobit zranění nebo poškození majetku.
- ⚙ Před instalací nebo servisem tohoto zařízení si důkladně přečtěte pokyny pro instalaci, ovládání a údržbu.
- ⚙ Při nedodržení těchto pokynů by mohlo dojít k požáru nebo výbuchu, který by mohl způsobit poškození majetku, zranění osob nebo smrt

⚠ NEBEZPEČÍ!

NEPOUŽÍVEJTE plynový gril pro vaření nebo ohřívání ve vnitřních prostorách. Mohly by se nahromadit JEDOVATÉ výpary, které by mohly způsobit udušení.

NEPOUŽÍVEJTE zařízení uvnitř nebo na palubách lodí, nebo v karavanech.

TYTO POKYNY USCHOVEJTE PRO POZDĚJŠÍ POUŽITÍ. POKUD SESTAVUJETE TENTO SPOTŘEBIČ PRO NĚKOHU JINÉHO, PŘEDEJTE MU TUTO PŘÍRUČKU, ABY JI MOHL USCHOVAT PRO POZDĚJŠÍ POUŽITÍ.

DŮLEŽITÉ UPOZORNĚNÍ: PŘED SESTAVENÍM A POUŽITÍM SI PŘEČTĚTE VŠECHNY POKYNY!

⚠ VAROVÁNÍ

V blízkosti tohoto spotřebiče nebo jakéhokoli jiného spotřebiče NESKLADUJTE a NEPOUŽÍVEJTE benzín ani jiné hořlavé látky a tekutiny.

Tlaková láhev na plyn nepřipojená pro používání NESMÍ být skladována v blízkosti tohoto nebo jakéhokoli jiného spotřebiče.

Bezpečnost především!

Před použitím tohoto grilu si přečtěte všechna varování a bezpečnostní opatření a ujistěte se, že jim rozumíte.

⚠ NEBEZPEČÍ

Aby nezhrozilo během testování úniku plynu nebezpečí požáru nebo výbuchu:

1. Vždy proveďte „test úniku plynu“ před zapálením grilu, při každém připojení tlakové láhve pro používání.
2. Nekuřte. Během provádění testu úniku plynu v daném místě nepoužívejte ani neskladujte zdroje, které mohou způsobit vznícení.
3. Provádějte test úniku plynu venku na dobře větraném místě.
4. Nepoužívejte pro kontrolu úniku plynu zápalky, zapalovače nebo plameny.
5. Nepoužívejte tento gril, dokud neodstraníte veškeré úniky plynu. Pokud nedokážete únik plynu zastavit, odpojte přívod propanu. Zavolejte servisního technika plynových spotřebičů nebo vašeho místního dodavatele propanového plynu.

⚠ VAROVÁNÍ

1. Tento gril je určen pouze pro venkovní použití a nesmí být používán uvnitř budov, garáží nebo na jakémkoli jiném uzavřeném místě.
2. Tento gril je určen výhradně k použití s propanovým plynem (tlaková láhev na propanový plyn není součástí příslušenství).
3. Nikdy se nepokoušejte tento gril připojit k samostatnému propanovému systému karavanu, obytného vozu nebo domu
4. Nikdy nepoužívejte dřevěné uhlí nebo tekutý podpalovač.
5. Požití alkoholu nebo léků na předpis či bez předpisu může zhoršit vaši schopnost správně sestavit a bezpečně používat tento spotřebič.
6. Nepoužívejte pro zapalování benzín, petrolej nebo líh!
7. Víko grilu otevírejte vždy opatrně a pomalu, protože teplo a pára nahromaděná uvnitř grilu by vás mohly vážně popálit.
8. Gril vždy umístěte na tvrdý a rovný povrch dostatečně vzdálený od hořlavých látek. Pro tento účel nemusí být vhodný asfaltový nebo asfaltbetonový povrch.
9. NEPOKOUŠEJTE se zapálený gril přemísťovat.
10. Nenechávejte zapálený gril bez dozoru a udržujte zejména děti a domácí mazlíčky neustále v dostatečné vzdálenosti od grilu.
11. Tento gril není stolního typu, a proto jej nestavte na jakýkoli typ povrchu stolu.
12. Nepoužívejte tento gril za silného větru.
13. Nepoužívejte tento gril, jestliže není KOMPLETNĚ sestaven a jestliže nejsou všechny díly bezpečně připevněny a dotaženy.
14. Udržujte všechny hořlavé předměty a povrchy neustále ve vzdálenosti minimálně 61 cm (24 palců) od grilu. NEPOUŽÍVEJTE tento plynový gril nebo jakýkoli plynový produkt pod jakýmkoli stropem nebo v blízkosti jakýchkoli nechráněných hořlavých konstrukcí
15. Když tlakovou láhev nepoužíváte, umístěte na výstup ventilu tlakové láhve krytku proti prachu. Nainstalujte na výstup ventilu tlakové láhve pouze takový typ krytky proti prachu, který je dodáván k ventilu tlakové láhve. Jiné typy krytek nebo zátek mohou způsobit únik propanu.

⚠ VAROVÁNÍ

1. Neskladujte náhradní tlakovou láhev na LP plyn blíže, než 3 m (10 stop) od tohoto spotřebiče
2. Neskladujte a nepoužívejte benzín nebo jiné hořlavé tekutiny či látky blíže, než 8 m (25 stop) od tohoto spotřebiče.
3. Při vaření s olejem/tukem nedovolte, aby teplota oleje/tuku překročila 177 °C (350 °F).
4. Nenechávejte olej/tuk bez dozoru.

⚠ UPOZORNĚNÍ

- ☼ Dokud gril zcela nevychladne (přibližně 45 min), nedotýkejte se kovových dílů grilu. Jinak hrozí nebezpečí popálení v případě, že nenosíte ochranné pomůcky (chňapky, rukavice, palčáky pro grily, apod.).
- ☼ Nepoužívejte ve výbušném prostředí. Udržujte místo grilování čisté a zbavené hořlavých materiálů, benzínu a jiných hořlavých látek a tekutin.
- ☼ Gril žádným způsobem neupravujte.
- ☼ Před každým použitím spotřebiče očistěte a zkontrolujte hadici. Pokud se objeví známky oděnění, opotřebení, pořezání nebo úniku plynu, musíte hadici před použitím spotřebiče vyměnit. Celek náhradní hadice musí odpovídat specifikacím výrobce.

- ☼ Přesuňte plynové hadice co nejdál od horkých povrchů a kapajícího horkého tuku.
- ☼ Nikdy neuchovávejte naplněnou nádobu v rozpáleném autě nebo v kufru auta. Teplu by způsobilo zvýšení tlaku plynu, což by mohlo otevřít pojistný ventil a způsobit únik plynu.

⚠ UPOZORNĚNÍ

- ☼ Tekutý propanový (LP – Liquid propane) plyn je hořlavý a v případě nesprávného používání nebezpečný. Před použitím jakéhokoli LP produktu si buďte vědomi jeho charakteristických vlastností.
- ☼ Charakteristické vlastnosti LP: Hořlavý, pod tlakem výbušný, těžší než vzduch, usazuje se a hromadí v nízkých oblastech.
- ☼ Ve svém přirozeném stavu nemá propan žádný zápach. Z bezpečnostních důvodů je přidáván odorant, který je cítit po shnilém zelí.
- ☼ Kontakt s LP může způsobit popálení pokožky mrazem.
- ☼ Tento gril je od výrobce nastaven POUZE pro použití s LP plynem.
- ☼ Nikdy nepoužívejte tlakovou láhev na LP plyn s poškozeným tělem, ventilem, límcem nebo základnou.
- ☼ Promáčknuté nebo zkorodované tlakové láhve na LP plyn mohou být nebezpečné a měly by být zkontrolovány vaším dodavatelem LP plynu.

⚠ UPOZORNĚNÍ

Na tomto grilu je nezbytné udržovat prostor ventilů, hořáky a průchody pro cirkulaci vzduchu v čistotě. Před každým použitím gril zkontrolujte.

OBECNÉ INFORMACE

- ☼ POŽADOVANÁ TLAKOVÁ LÁHEV NA PROPANOVÝ PLYN:
- ☼ Tento plynový gril NENÍ určen pro komerční použití!
- ☼ Jednotky tekutého propanu musí být používány pouze s 10kg tlakovou láhví.
- ☼ Pokud plynový spotřebič pro venkovní vaření nepoužíváte, MUSÍTE uzavřít plyn na zásobovací tlakové láhvi.
- ☼ MUSÍTE používat regulátor tlaku a celek hadice dodávaný k tomuto plynovému grilu. Náhradní regulátory a celky hadic musí být dodány výrobcem. Podívejte se prosím na stránce dílů na náhradní díl č. 16.

2. UŽIVATELSKÁ PŘÍRUČKA

Umístění grilu a tlakové láhve na plyn

Barbecue gril

- ☼ Umístěte barbecue gril na pevný, rovný a ohnivzdorný povrch.
- ☼ Zajistěte, aby byla dodržena bezpečnostní vzdálenost alespoň 60 cm od blízkých hořlavých povrchů.
- ☼ Nikdy nepřemísťujte tento barbecue gril, jestliže je zapálený nebo stále horký po grilování.

Tlaková láhev na plyn

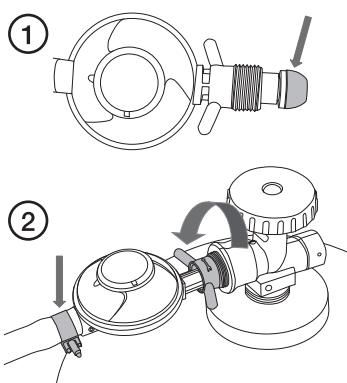
- ☼ Umístěte tlakovou láhev na plyn tak, aby nebyla vystavena nepřetržitému slunečnímu světlu nebo jiným zdrojům tepla.
- ☼ Tlaková láhev na plyn by měla být během používání umístěna vedle barbecue grilu, nikoli pod ním.
- ☼ Zajistěte, aby se plynová hadice nedostala do kontaktu s jakýmkoli dílem barbecue grilu, který se během používání zahřívá. Zajistěte, aby nebyla napnutá, zkroucená a aby nehrozilo nebezpečí jejího poškození jinými předměty.
- ☼ Během používání neuchovávejte uvnitř barbecue vozíku žádnou tlakovou láhev na plyn. Je zakázáno vkládat/pokládat tlakovou láhev na plyn do spotřebiče.

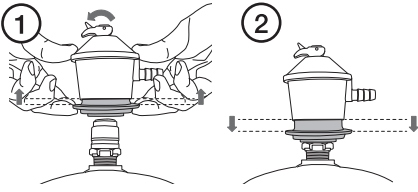
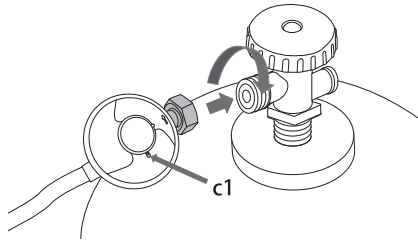
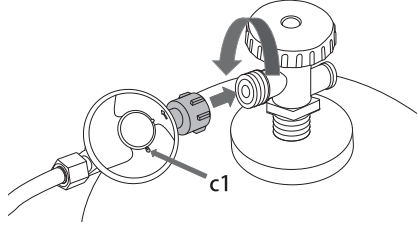
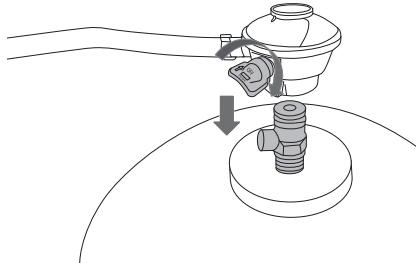
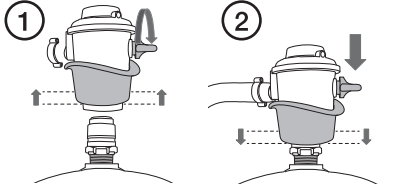
Připojení tlakové láhve

⚠ Důležité:

- ☼ Před zahájením připojování tlakové láhve na plyn zajistěte, aby byl regulátor nastaven do polohy OFF (Vypnuto).
- ☼ Vzhled regulátorů a způsob jejich připojení se v jednotlivých zemích liší.
- ☼ Následující tabulka popisuje připojení 6 typů regulátorů (A–F).

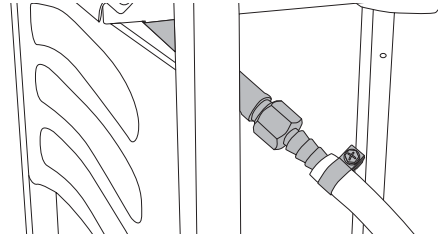
1.

<p>A</p> <ol style="list-style-type: none"> 1. Zkontrolujte pryžové těsnění na regulátoru. Pokud bylo jakkoli poškozeno, musíte regulátor vyměnit. 2. Připojte plynovou hadici k regulátoru (pokud ještě není připojena) a dotáhněte hadicovou svorku. Připojte regulátor k tlakové láhvi na plyn jeho přišroubováním na konektor ventilu. Regulátor uvedený na obrázku má levý závit. 	 <p>The diagram consists of two parts. Part 1 shows a top-down view of a gas cylinder with a hose attached to its side. An arrow points to the hose connection. Part 2 shows a side view of the gas cylinder being screwed onto the grill's gas inlet. An arrow points to the inlet, and another arrow points to the cylinder's threads. A curved arrow indicates the direction of rotation for tightening.</p>
---	--

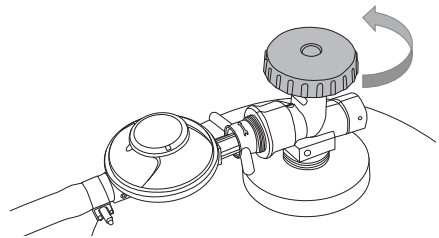
<p>B</p> <ol style="list-style-type: none"> 1. Ujistěte se, že je regulátor nastaven do polohy OFF (Vypnuto). Nadzvedněte pružinový zajišťovací límeček a připevněte regulátor na horní část tlakové láhve na plyn. 2. Tlačte zajišťovací límeček dolů, dokud neuslyšíte cvaknutí. 	
<p>C</p> <p>Připojte regulátor k tlakové láhvi na plyn otočením zajišťovací matice ve směru hodinových ručiček. Otočte regulátor tak, aby byl větrací otvor (c1) dole.</p>	
<p>D</p> <p>Připojte regulátor k tlakové láhvi na plyn otočením zajišťovací matice proti směru hodinových ručiček. Otočte regulátor tak, aby byl větrací otvor (c1) dole.</p>	
<p>E</p> <p>Ujistěte se, že je regulátor nastaven do polohy OFF (Vypnuto). Tlačte regulátor dolů na ventil, dokud nezacvakne na své místo.</p>	
<p>F</p> <ol style="list-style-type: none"> 1. Ujistěte se, že je regulátor nastaven do polohy OFF (Vypnuto). Nadzvedněte pružinový zajišťovací límeček a tlačte regulátor dolů na tlakovou láhev na plyn. 2. Zatlačte zajišťovací límeček dolů pro zajištění regulátoru na tlakové láhvi na plyn. 	

2. Připojte plynovou hadici k barbecue grilu a dotáhněte hadicovou svorku.

⚠ Na obrázku je znázorněno připojení plynové hadice podle švédských norem. V některých zemích má plynová hadice větší průměr a je zcela zatlačena na konektor.



3. Otevřete víko a zajistěte, aby byly ovládací knoflíky plynu nastaveny do polohy **OFF (Vypnuto)**.
4. Otevřete tlakovou láhev na plyn otočením ručního kolečka proti směru hodinových ručiček.



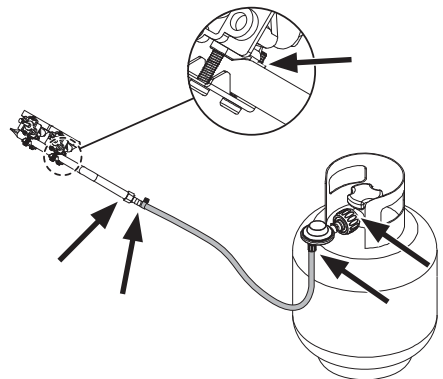
Test úniku plynu

- ✿ Před použitím tohoto barbecue grilu po připojení tlakové láhve na plyn vždy otestujte únik plynu.
- ✿ Během kontroly úniku plynu nekuřte.
- ✿ Provádějte test úniku plynu ve venkovním prostředí.
- ✿ Nikdy nepoužívejte pro zjištění úniku plynu zapálené zápalky, zapalovače cigaret nebo jiné zdroje otevřeného ohně.

Jak provést test úniku plynu:

1. Mícháním připravte roztok vody s trochou tekutiny na mytí nádobí.
2. Stříkáním nebo kartáčkem naneste trochu roztoku mýdlové vody na místa uvedená na obrázku.

Pokud zjistíte jakékoli úniky (pokud se objevují bubliny), musíte příslušná místa před použitím tohoto produktu utěsnit. Pokud **si nejste jisti, jak tento barbecue gril používat**, kontaktujte před použitím tohoto produktu kvalifikovaného servisního technika.



Pokyny pro zapalování pro barbecue gril

1. Předtím, než se pokusíte zapálit hořáky, otevřete poklop barbecue grilu.
2. Otočte všechny ovládací knoflíky ve směru hodinových ručiček do polohy „OFF“ (Vypnuto).
3. Připojte regulátor k láhvi na plyn. Otevřete dodávku plynu („ON“) u regulátoru. Pomocí mýdlové vody zjistěte jakýkoli únik plynu mezi láhví a regulátorem.
4. Stlačte levý přední ovládací knoflík a podržte jej stisknutý, zatímco jej otáčíte proti směru hodinových ručiček do polohy „HIGH“ (Vysoký plamen) (uslyšíte cvaknutí), abyste zapálili levý hořák. Zkontrolujte, zda se hořák zapálil. Pokud ne, zopakujte tento postup.
5. Pokud se hořák ani po opakovaném pokusu nezapálil, počkejte 5 minut a zopakujte krok 4.
6. Upravte množství tepla otočením knoflíku do polohy High/Low (Vysoký/Nízký plamen).
7. Pokud se hořák nezapálí. Zapalte spotřebič pomocí zápalky s využitím zapalovacího otvoru na boku spotřebiče. Požádejte vašeho prodejce plynu o opravu zapalování.
8. Pro zapálení zbývajících hořáků v pořadí zleva doprava zopakujte výše uvedený krok 4.
9. Pro vypnutí („OFF“) barbecue grilu otočte ventil tlakové láhve nebo přepínač regulátoru do polohy „OFF“ (Vypnuto) a pak otočte ovládací knoflík na spotřebiči ve směru hodinových ručiček do polohy „OFF“ (Vypnuto).

⚠ VAROVÁNÍ!

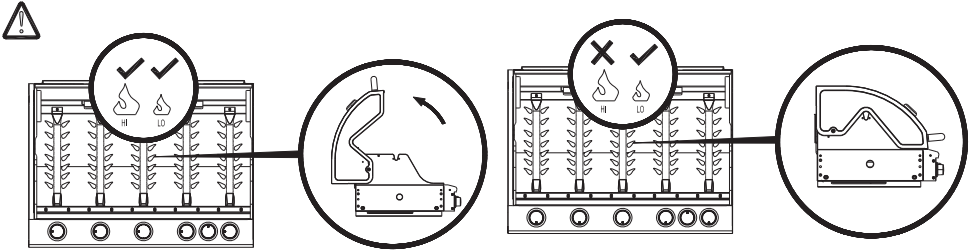
Pokud se hořák nepodaří zapálit, otočte ovládací knoflík (ve směru hodinových ručiček) do polohy vypnuto a rovněž uzavřete ventil tlakové láhve. Před pokusem o opětovné zapálení pomocí postupu pro zapalování počkejte pět minut.

Před prvním vařením používejte barbecue gril po dobu přibližně 15 minut s uzavřeným víkem a nastavením plynu na LOW (Nízký plamen). Tím provedete „tepelné vyčištění“ vnitřních dílů a odstraníte zápach z natřených povrchů.

PO KAŽDÉM použití barbecue gril očistěte. NEPOUŽÍVEJTE čisticí prostředky s brusným účinkem nebo hořlavé čisticí prostředky, protože by mohlo dojít k poškození dílů tohoto produktu a ke vzniku požáru. Pro čištění použijte teplou mýdlovou vodu.

VAROVÁNÍ: Přístupné části mohou být velmi horké. Udržujte malé děti neustále v dostatečné vzdálenosti od horkého spotřebiče (i během ochlazování!).

Doporučujeme vám, abyste při manipulaci s obzvlášť horkými díly používali ochranné rukavice (např. rukavice do trouby).



Na co pamatovat před použitím barbecue grilu

- ☼ Nebezpečí popálení – noste ochranné rukavice.
- ☼ Zajistěte, aby byl tento barbecue gril umístěn v otevřené oblasti. Nikdy jej nepoužívejte v uzavřeném prostoru nebo pod střechou.
- ☼ Udržujte děti a domácí mazlíčky v bezpečné vzdálenosti od tohoto barbecue grilu.
- ☼ Nikdy nenechávejte tento barbecue gril během používání bez dozoru.
- ☼ Víko nesmí být během používání barbecue grilu nikdy uzavřeno déle, než pět minut najednou, jinak hrozí nebezpečí poškození a změny barvy.

Čištění a údržba

- ☼ Nechte barbecue gril zcela vychladnout a očistěte vnější povrchy vlhkým hadříkem. Používejte pouze jemné čisticí prostředky; nikdy nepoužívejte rozpouštědla nebo žíravé chemikálie.
- ☼ Pravidelně kontrolujte neporušenost plynové hadice jejím ohnutím. Pokud zjistíte jakékoli praskliny, vyměňte před dalším použitím barbecue grilu hadici.
- ☼ V případě potřeby barbecue gril důkladně očistěte:
 - Odstraňte regulátor z tlakové láhve na plyn a položte jej na jednu stranu.
 - Vyměňte rošt na pečení a opatrně jej ručně umyjte.
 - Vyměňte desku tepelného štítu nad hořákem a v případě potřeby ji odstraňte. Pokud jsou zablokovány výstupy plynu, můžete pomocí vhodného předmětu opatrně odstranit jakékoli nečistoty nebo zbytky.
 - Opatrně seškrábněte jakýkoli nadbytečný tuk z vnitřního prostoru barbecue grilu pomocí plastového nebo dřevěného nástroje.
 - Můžete rovněž opatrně umýt a vysušit vnitřní prostory barbecue grilu vodou a jemným čisticím prostředkem. Zajistěte, aby se do plynové hadice a hořáku nedostala žádná voda.
 - V případě potřeby odstraňte a umyjte misku používanou pro zachytávání tuku.

Uskladnění

- ☼ Během barbecue sezóny byste měli nepoužívaný barbecue gril přemístit na venkovní místo chráněné proti větru.
- ☼ Když v zimě přemísťujete barbecue gril do budovy, očistěte jej podle pokynů v části Čištění a údržba.
- ☼ Odstraňte tlakovou láhev na plyn a zajistěte, aby nebyla plynová hadice ohnutá nebo poškozená jinými předměty.
- ☼ Tento barbecue gril skladujte v suchém bezprašném prostředí mimo dosah dětí.

SERVIS

Kompetentní registrovaná osoba by měla každý rok provést servis vašeho plynového barbecue grilu.

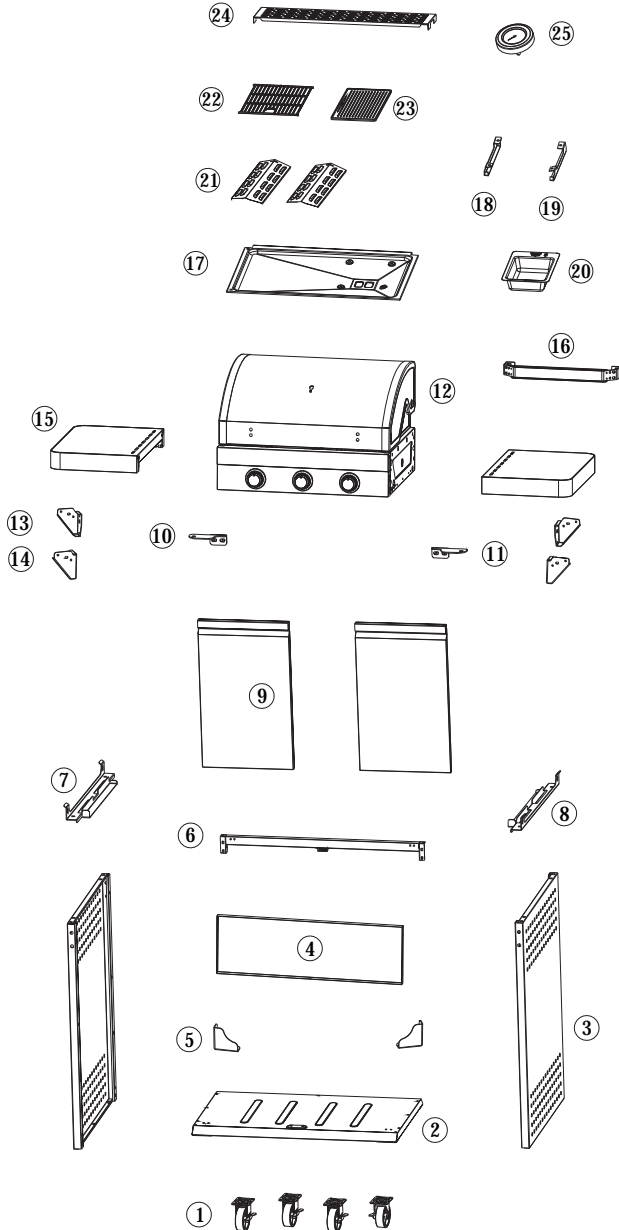
ŘEŠENÍ PROBLÉMŮ







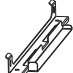




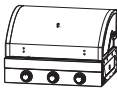






PROBLÉM	MOŽNÁ PŘÍČINA	ŘEŠENÍ
Hořáky se pomocí systému zapalování nezapálí	<ol style="list-style-type: none"> 1. Tlaková láhev na LP plyn je prázdná 2. Vadný regulátor 3. Překážky v hořáku 4. Překážky v plynových tryskách nebo v plynové hadici 5. Vodič elektrody je na elektrodě nebo zapalovací jednotce uvolněný nebo odpojený 6. Elektroda nebo vodič je poškozen. Vadný tlačítkový zapalovač 	<ol style="list-style-type: none"> 1. Vyměňte ji za plnou tlakovou láhev 2. Nechte regulátor zkontrolovat nebo vyměnit 3. Vyčistěte hořák 4. Vyčistěte trysky a plynovou hadici 5. Znovu připojte vodič 6. Vyměňte elektrodu a vodič. Vyměňte zapalovač
Hořák nejde zapálit zápalkou	<ol style="list-style-type: none"> 1. Tlaková láhev na LP plyn je prázdná 2. Vadný regulátor 3. Překážky v hořáku 4. Překážky v plynových tryskách nebo v plynové hadici 	<ol style="list-style-type: none"> 1. Vyměňte ji za plnou tlakovou láhev 2. Nechte regulátor zkontrolovat nebo vyměnit 3. Vyčistěte hořák 4. Vyčistěte trysky a plynovou hadici
Nízký plamen nebo zpětný šleh plamene (oheň v trubici hořáku – může být slyšet syčení nebo hukot)	<ol style="list-style-type: none"> 1. Tlaková láhev na LP plyn je příliš malá 2. Překážky v hořáku 3. Překážky v plynových tryskách nebo v plynové hadici 4. Větrné počasí 	<ol style="list-style-type: none"> 1. Použijte větší tlakovou láhev 2. Vyčistěte hořák 3. Vyčistěte trysky a plynovou hadici 4. Používejte gril na lépe chráněném místě




















Technické údaje

CZ	
Plyn (LPG)	I3+ (28-30/37) G30 Butan 28-30 mbar G31 Propan 37 mbar
Tlak a typ plynu	Butan 28-30 mbar / Propan 37 mbar
Výkon	3 x 3kW = 9 kW
Spotřeba	Butan: 654 (g/h) a Propan: 642 (g/h)
Regulátor	Používaný regulátor musí být schválen CE
Plynová hadice	Používaná plynová hadice musí být schválena CE (max. délka 1,5 m)
Zapalování	Integrované zapalování
Rozměry grilu	60 x 42 cm
Rozměry	122 x 57 x 112 cm

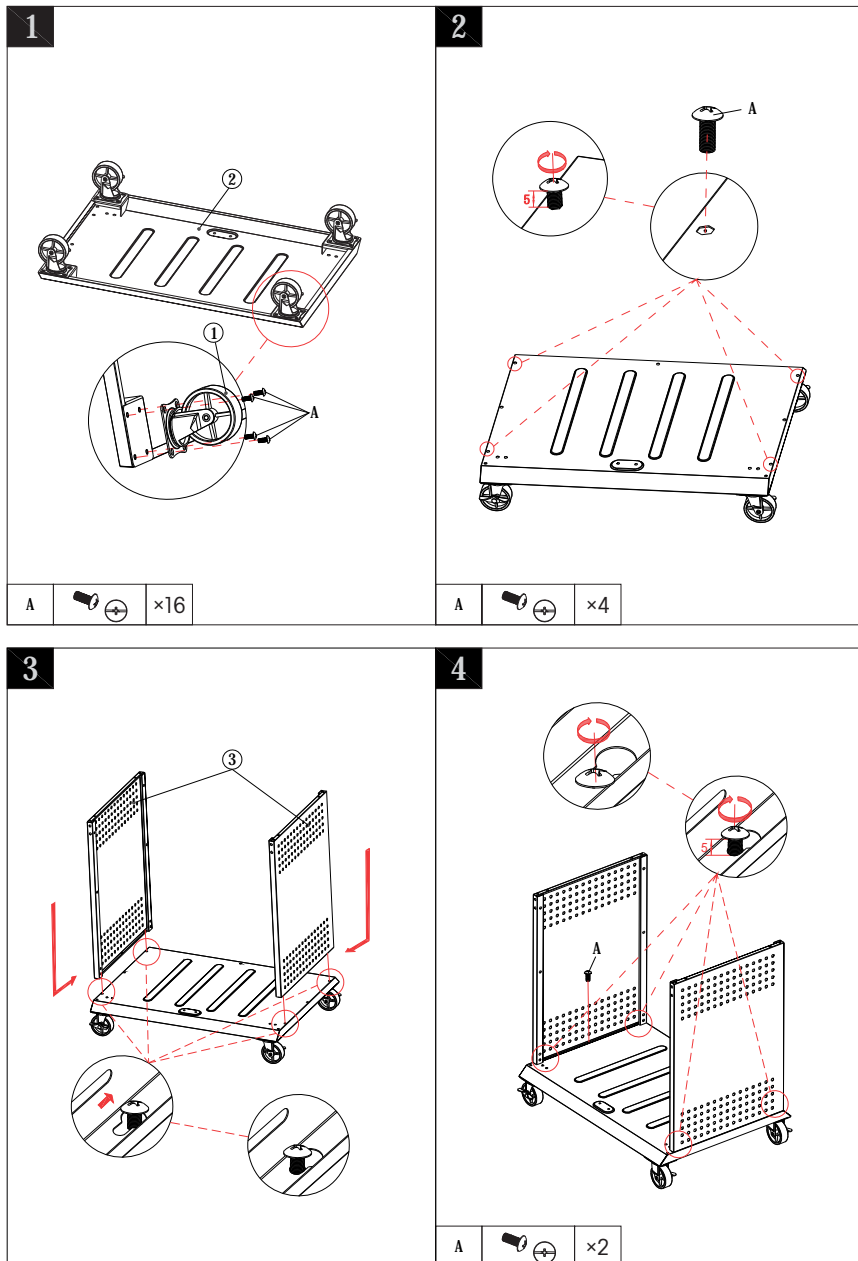
3. SCHÉMA DÍLŮ PRO FZG 3006

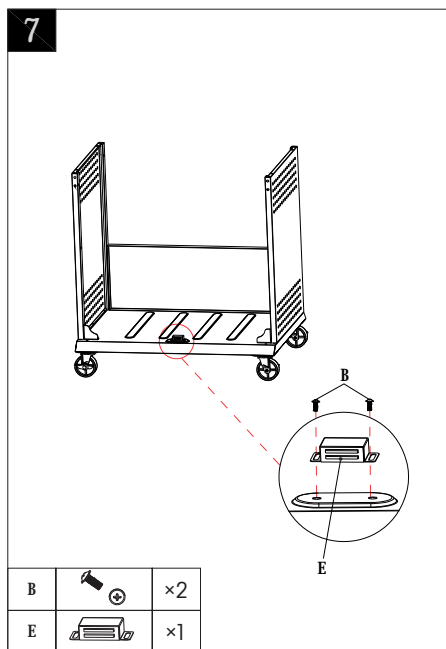
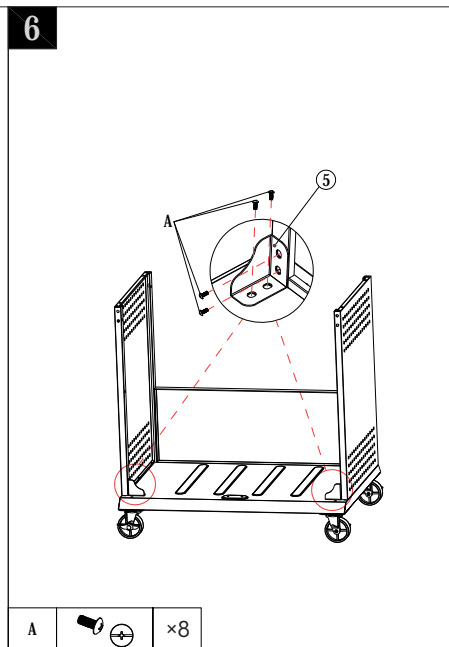
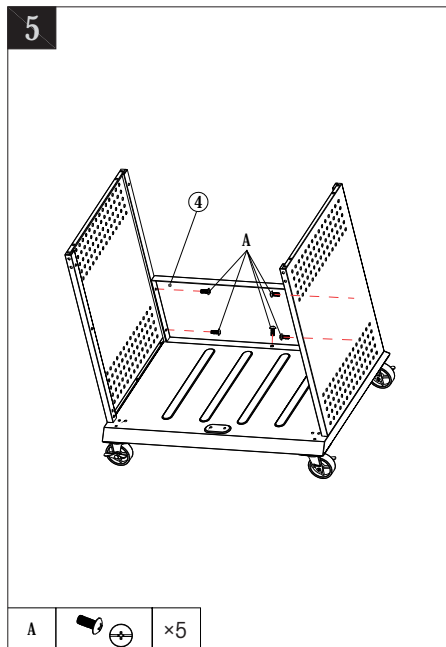


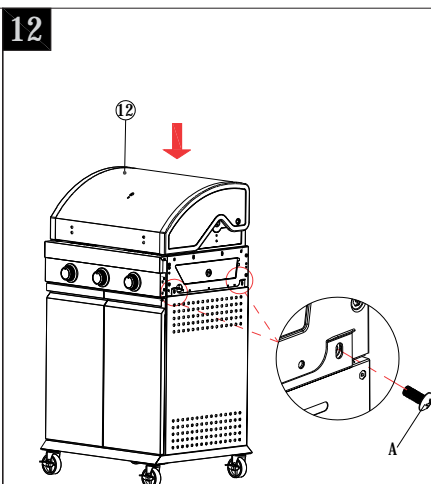
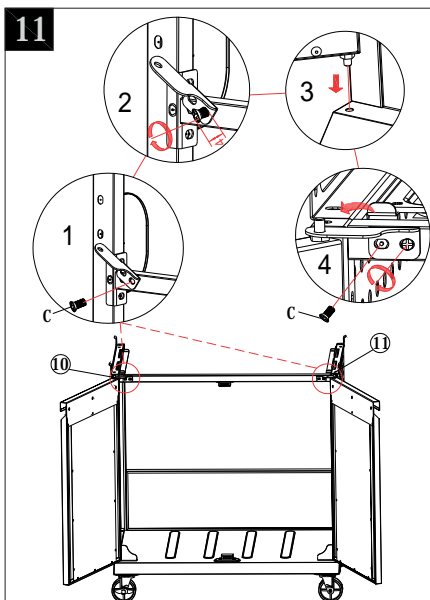
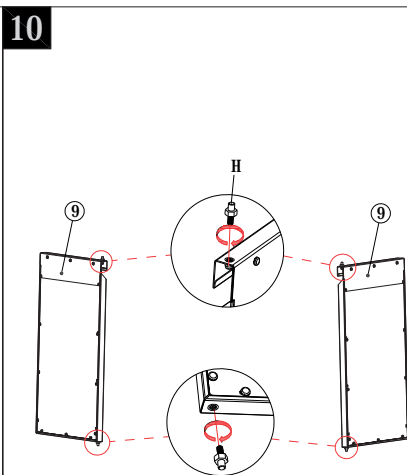
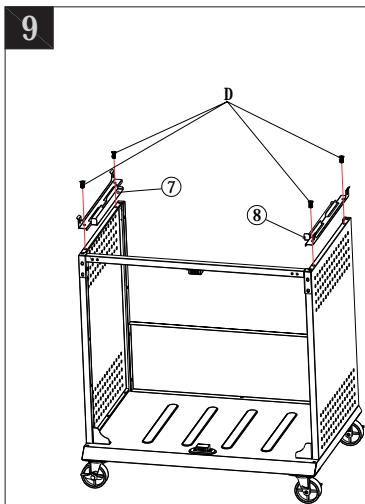
Č.	Díl	Množství
1		× 4
2		× 1
3		× 2
4		× 1
5		× 2
6		× 1
7		× 1 (L)
8		× 1 (R)
9		× 2
10		× 1 (L)
11		× 1 (R)
12		× 1
13		× 2 (B)
14		× 2 (F)
15		× 2
16		× 1
17		× 1
18		× 1 (L)

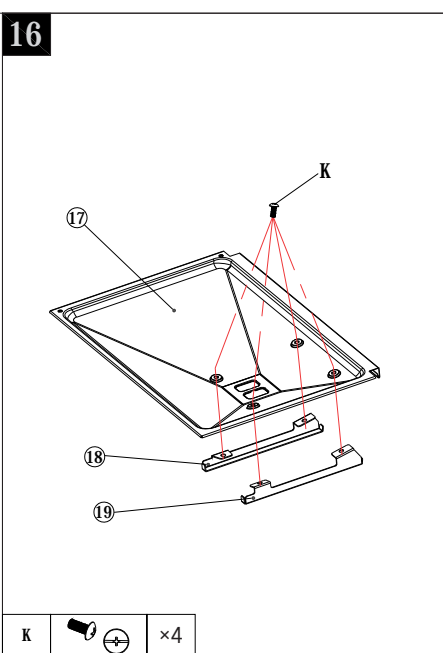
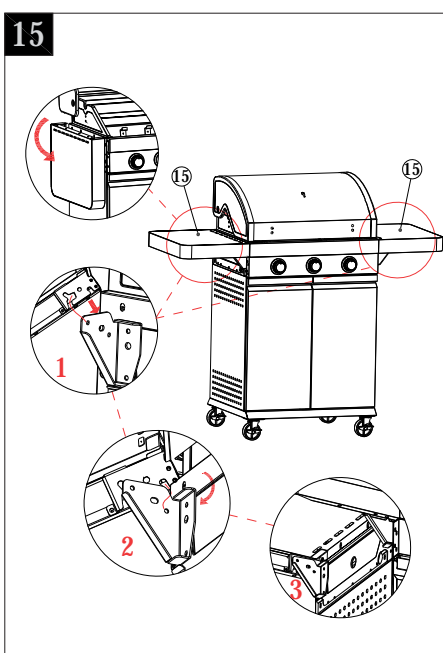
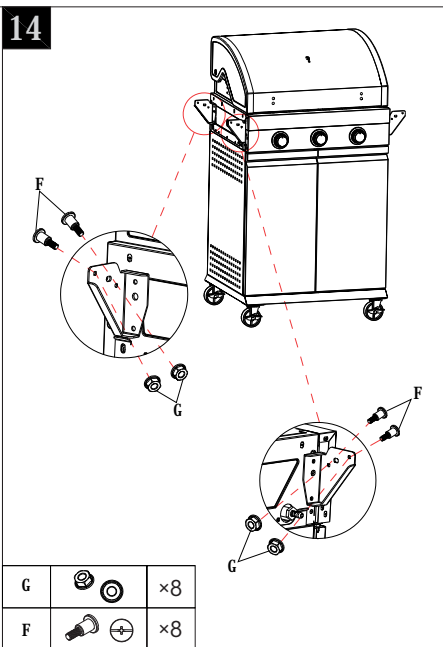
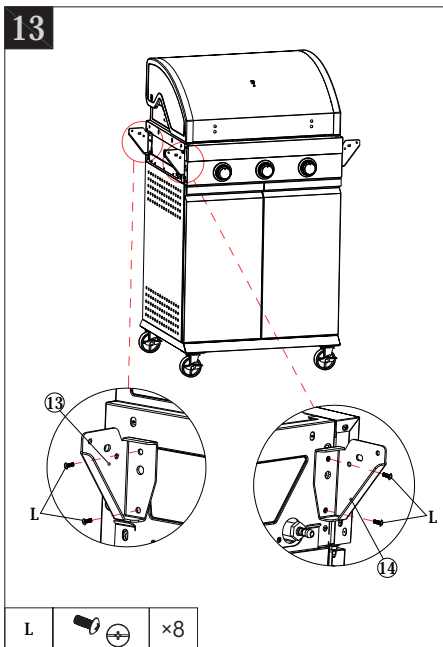
Č.	Díl	Množství
19		× 1 (R)
20		× 1
21		× 2
22		× 1
23		× 1
24		× 1
25		× 1
A	M5-10	 × 45
B	M4-8	 × 2
C	M4-10	 × 4
D	M5-12	 × 10
E		 × 1
F	M6-22	 × 8
G	M6	 × 8
H		 × 4
I	M6-15	 × 4
J	Φ 28-2	 × 1
K	M5-10	 × 4 (SS)
L	M5-16	 × 8

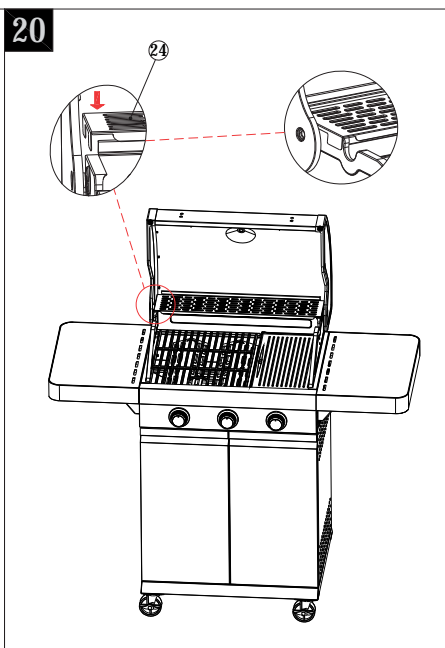
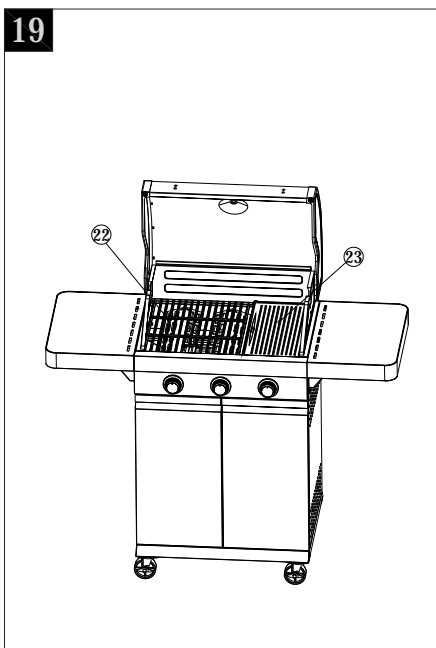
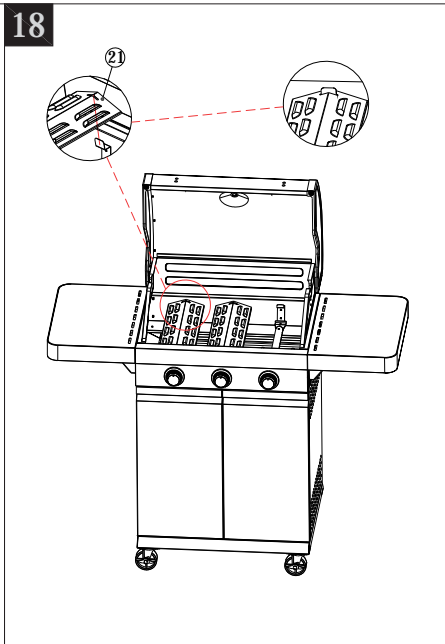
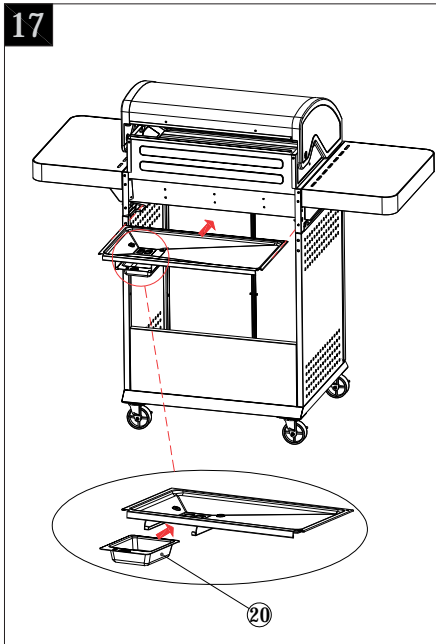
4. SESTAVENÍ

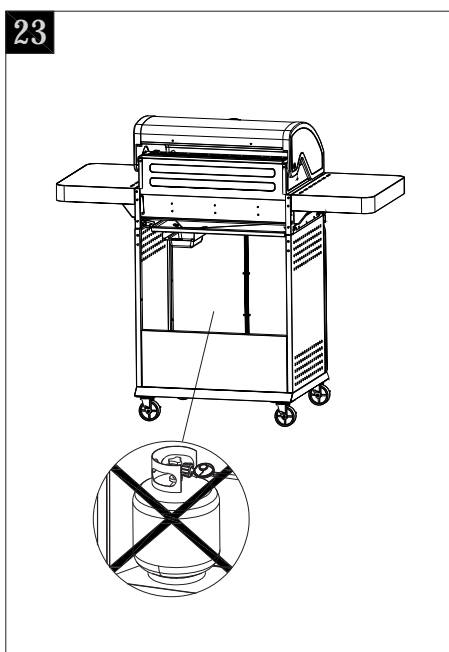
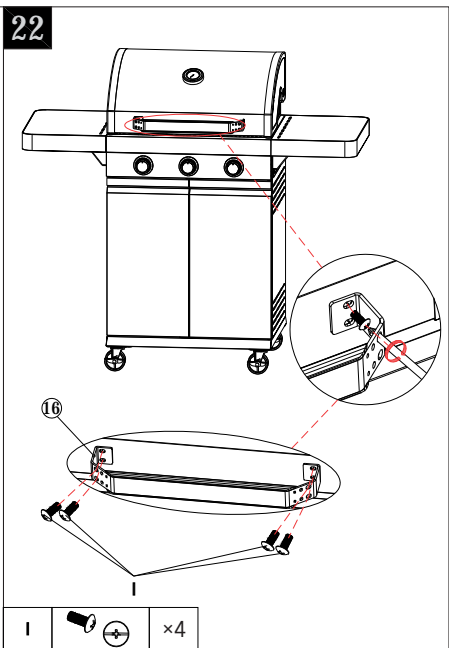
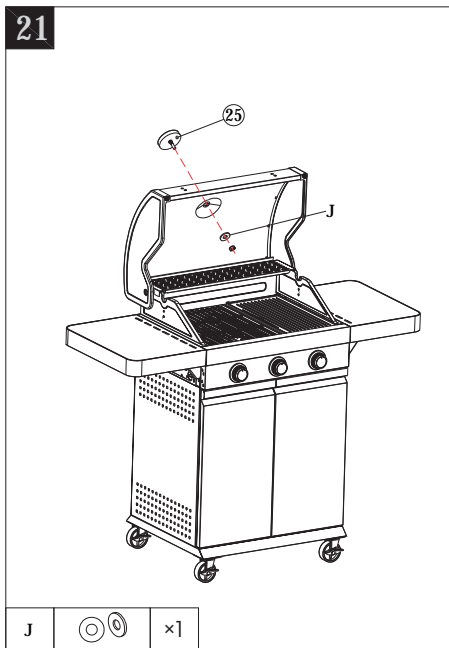












5. OCHRANA ŽIVOTNÍHO PROSTŘEDÍ

- ⚠ Varování!** Nevyhazujte elektrická a elektronická zařízení do běžného neříděného odpadu. Použijte kontejnery na tříděný odpad.
Další informace o recyklaci tohoto elektrického zařízení získáte u autorizovaného prodejce nebo ve sběrném dvoře.

6. LIKVIDACE

POKYNY A INFORMACE K LIKVIDACI VYŘAZENÝCH OBALOVÝCH MATERIÁLŮ

Vyřazený obalový materiál zlikvidujte v místě určeném pro likvidaci odpadů ve vašem bydlišti.



Toto zařízení a jeho příslušenství je vyrobeno z různých materiálů, jako například z kovu a plastů.




Poškozené díly odneste do recyklačního střediska. Dotazy směřujte na příslušné vládní oddělení.



Tento produkt splňuje všechny základní požadavky všech příslušných směrnic EU.

Text, design a technické údaje se mohou změnit bez předchozího upozornění a vyhrazujeme si právo provádět změny.

7. TECHNICKÉ ÚDAJE

Výrobce/Manufacturer/Výrobca Producent/Gyártó	Ningbo Huige Outdoor Products Co., Ltd No.333Tianhai Road,Binhai New Area Economic Development Zone, Fenghua District, Ningbo City, Zhejiang Province, China		Series	12/2023
Dovozce/Importer/Dovozca/ Importer/Importőr	FAST ČR, a.s., U Samitánu 1621, 251 01 Říčany,Czech Republic www.fieldmann.com			0063GN792
Název výrobku/Product name Názov výrobku/Nazwa produktu Terméknév	Plynový gril / Gas grill / Plynový gril Grill gazowy / Gázgrillhely	Modelové označení / Model number Modelové označenie / Numer modelu Tipusszám		FZG-3006 Plynový gril FZG-3006 Gas grill FZG-3006 Plynový gril FZG-3006 Grill gazowy FZG-3006 Gáz grill
Kategorie plynu / Gas category Category plyn / Kategoria gazu Gáz kategória	I3+(28-30/37) <input checked="" type="checkbox"/>	I3B/P(30)	I3P(37)	I3P(50)
Druh plynu a tlaku / Type of gas and pressure / Druh plynu a tlaku Rodzaj gazu i ciśnienie / Kategoria gazu	Butane at 28-30 mbar and Propane at 37 mbar	Butane / Propane mixture at 30 mbar	Propane at 37 mbar	Propane at 50 mbar
Stát / Country / stáť Kraj / Ország	BE, CH, CY, CZ, ES, FR, GB, GR, IE, IT, LT, LU, LV, PT, SI, SK, TR	BG, CY, CZ, DK, EE, FI, GB, HR, HU, IT, LT, LU, MT, NL, NO, RO, SE, SI, SK, TR	BE, CZ, ES, GB, IE, PT, SI	CZ, DE, ES, NL
ø vsifkovač trysky do hl. horáku ø injection nozzles main burner ø vsfekovacie tryska do hl. horáka ø główny dysza wtryskiwaczy ø befecskendező tűvécék fő égő	0.82mm	0.82mm	0.82mm	0.72mm
Celkový tepelný výkon Total heat output Celkový tepelný výkon Celková moc cieplna Teljes hőfejlesztmény	ΣQ _{ik} : 9 kW / Butan: 654 (g/h) a Propan: 642 (g/h) ΣQ _{ik} : 9 kW / Butane: 654 (g/h) and Propane: 642 (g/h) (3kW x 3) ΣQ _{ik} : 9 kW / bután: 654 (g/h) a propán: 642 (g/h) (3kW x 3) ΣQ _{ik} : 9 kW / Butan: 654 (g/h) i propan: 642 (g/h) (3kW x 3) ΣQ _{ik} : 9 kW / bután: 654 (g/h) és propán: 642 (g/h) (3kW x 3)			
	Vyrobeno v Číne / Made in China / Wyrobno v Číne / Wyprodukowano w Chinach / Kínban készült			

PLYNOVÝ GRIL

POUŽÍVATEĽSKÁ PRÍRUČKA

Ďakujeme vám za kúpu tohto plynového grilu. Pred jeho použitím si, prosím, pozorne prečítajte túto používateľskú príručku a uschovajte ju na prípadné neskoršie použitie.

OBSAH

1. VŠEOBECNÉ BEZPEČNOSTNÉ POKYNY.....	44
Bezpečnosť predovšetkým!.....	44
VŠEOBECNÉ INFORMÁCIE.....	46
2. POUŽÍVATEĽSKÁ PRÍRUČKA.....	47
Umiestnenie grilu a tlakovej fľaše na plyn.....	47
Barbecue gril.....	47
Tlaková fľaša na plyn.....	47
Pripojenie tlakovej fľaše.....	47
Test úniku plynu.....	49
Pokyny na zapáľovanie pre barbecue gril.....	50
Na čo pamätať pred použitím barbecue grilu.....	51
Čistenie a údržba.....	51
Uskladnenie.....	51
SERVIS.....	52
RIEŠENIE PROBLÉMOV.....	52
Technické údaje.....	52
3. SCHÉMA DIELOV PRE FZG 3006.....	53
4. ZOSTAVENIE.....	55
5. OCHRANA ŽIVOTNÉHO PROSTREDIA.....	61
6. LIKVIDÁCIA.....	61
7. TECHNICKÉ ÚDAJE.....	62

1. VŠEOBECNÉ BEZPEČNOSTNÉ POKYNY

⚠ NEBEZPEČENSTVO

Ak cítite plyn:

1. Uzavríte prívod plynu do spotrebiča.
2. Uhasíte akýkoľvek otvorený oheň.
3. Otvorte veko.
4. Ak zápach pretrváva, okamžite zavolajte vášmu dodávateľovi plynu alebo požiarnemu zboru.

⚠ VAROVANIE!

- ✿ Nesprávna inštalácia, nastavenie, úpravy, servis alebo údržba môžu spôsobiť zranenie alebo poškodenie majetku.
- ✿ Pred inštaláciou alebo servisom tohto zariadenia si dôkladne prečítajte pokyny na inštaláciu, ovládanie a údržbu.
- ✿ Pri nedodržaní týchto pokynov by mohlo dôjsť k požiaru alebo výbuchu, ktorý by mohol spôsobiť poškodenie majetku, zranenie osôb alebo smrť.

⚠ NEBEZPEČENSTVO!

NEPOUŽÍVAJTE plynový gril na varenie alebo ohrievanie vo vnútorných priestoroch. Mohli by sa nahromadiť JEDOVATÉ výpary, ktoré by mohli spôsobiť udusenie.

NEPOUŽÍVAJTE zariadenie vnútri alebo na palubách lodí alebo v karavanoch.

TIETO POKYNY USCHOVAJTE NA NESKORŠIE POUŽITIE. AK ZOSTAVUJETE TENTO SPOTREBIČ PRE NIEKOHU INÉHO, ODOVZDAJTE MU TÚTO PRÍRUČKU, ABY JU MOHOL USCHOVAŤ NA NESKORŠIE POUŽITIE.

DÔLEŽITÉ UPOZORNENIE: PRED ZOSTAVENÍM A POUŽITÍM SI PREČÍTAJTE VŠETKY POKYNY!

⚠ VAROVANIE

V blízkosti tohto spotrebiča alebo akéhokoľvek iného spotrebiča NESKLADUJTE a NEPOUŽÍVAJTE benzín ani iné horľavé látky a tekutiny.

Tlaková fľaša na plyn nepripojená na používanie sa NESMIE skladovať v blízkosti tohto alebo akéhokoľvek iného spotrebiča.

Bezpečnosť predovšetkým!

Pred použitím tohto grilu si prečítajte všetky varovania a bezpečnostné opatrenia a uistite sa, že im rozumiete.

⚠ NEBEZPEČENSTVO

Aby nehrozilo počas testovania úniku plynu nebezpečenstvo požiaru alebo výbuchu:

1. Vždy vykonajte „test úniku plynu“ pred zapálením grilu, pri každom pripojení tlakovej fľaše na používanie.
2. Nefajčíte. Počas vykonávania testu úniku plynu v danom mieste nepoužívajte ani neskladujte zdroje, ktoré môžu spôsobiť vznietenie.
3. Vykonávajte test úniku plynu vonku na dobre vetranom mieste.
4. Nepoužívajte na kontrolu úniku plynu zápalky, zapaľovače alebo plamene.

- Nepoužívajte tento gril, kým neodstránite všetky úniky plynu. Ak nedokážete únik plynu zastaviť, odpojte prívod propánu. Zavolajte servisného technika plynových spotrebičov alebo vášho miestneho dodávateľa propánového plynu.

⚠ VAROVANIE

- Tento gril je určený iba na vonkajšie použitie a nesmie sa používať vnútri budov, garáží alebo na akomkoľvek inom uzatvorenom mieste.
- Tento gril je určený výhradne na použitie s propánovým plynom (tlaková fľaša na propánový plyn nie je súčasťou príslušenstva).
- Nikdy sa nepokúšajte tento gril pripojiť k samostatnému propánovému systému karavanu, obytného vozidla alebo domu.
- Nikdy nepoužívajte drevené uhlie alebo tekutý podpaľovač.
- Požitie alkoholu alebo liekov na predpis či bez predpisu môže zhoršiť vašu schopnosť správne zostaviť a bezpečne používať tento spotrebič.
- Nepoužívajte na zapaľovanie benzín, petrolej alebo lieh!
- Veko grilu otvárajte vždy opatrne a pomaly, pretože teplo a para nahromadené vnútri grilu by vás mohli vážne popáliť.
- Gril vždy umiestnite na tvrdý a rovný povrch dostatočne vzdialený od horľavých látok. Na tento účel nemusí byť vhodný asfaltový alebo asfaltobetónový povrch.
- NEPOKÚŠAJTE sa zapáliť gril premiestňovať.
- Nenechávajte zapálený gril bez dozoru a udržujte najmä deti a domácich maznáčikov neustále v dostatočnej vzdialenosti od grilu.
- Tento gril nie je stolného typu, a preto ho neumiestňujte na akýkoľvek typ povrchu stola.
- Nepoužívajte tento gril pri silnom vetre.
- Nepoužívajte tento gril, ak nie je KOMPLETNE zostavený a ak nie sú všetky diely bezpečne pripevnené a dotiahnuté.
- Udržujte všetky horľavé predmety a povrchy neustále vo vzdialenosti minimálne 61 cm (24 palcov) od grilu. NEPOUŽÍVAJTE tento plynový gril alebo akýkoľvek plynový produkt pod akýmkoľvek stropom alebo v blízkosti akýchkoľvek nechránených horľavých konštrukcií.
- Keď tlakovú fľašu nepoužívate, umiestnite na výstup ventilu tlakovej fľaše krytku proti prachu. Nainštalujte na výstup ventilu tlakovej fľaše iba taký typ krytky proti prachu, ktorý sa dodáva k ventilu tlakovej fľaše. Iné typy krytiek alebo zátok môžu spôsobiť únik propánu.

⚠ VAROVANIE

- Neskladujte náhradnú tlakovú fľašu na LP plyn bližšie, než 3 m (10 stôp) od tohto spotrebiča.
- Neskladujte a nepoužívajte benzín alebo iné horľavé tekutiny či látky bližšie, než 8 m (25 stôp) od tohto spotrebiča.
- Pri varení s olejom/tukom nedovoľte, aby teplota oleja/tuku prekročila 177 °C (350 °F).
- Nenechávajte olej/tuk bez dozoru.

⚠ UPOZORNENIE

- ☛ Kým gril celkom nevychladne (približne 45 min), nedotýkajte sa kovových dielov grilu. Inak hrozí nebezpečenstvo popálenia v prípade, že nosíte ochranné pomôcky (lapky, rukavice, palčičky pre grily a pod.).
- ☛ Nepoužívajte vo výbušnom prostredí. Udržujte miesto grilovania čisté a zbavené horľavých materiálov, benzínu a iných horľavých látok a tekutín.

- ✿ Gril žiadnym spôsobom neupravujte.
- ✿ Pred každým použitím spotrebiča očistite a skontrolujte hadicu. Ak sa objavia známky odretia, opotrebenia, porenania alebo úniku plynu, musíte hadicu pred použitím spotrebiča vymeniť. Celok náhradnej hadice musí zodpovedať špecifikáciám výrobcu.
- ✿ Presuňte plynové hadice čo najďalej od horúcich povrchov a kvapkajúceho horúceho tuku.
- ✿ Nikdy neuchovávajte naplnenú nádobu v rozpálenom aute alebo v kufrí auta. Teplo by spôsobilo zvýšenie tlaku plynu, čo by mohlo otvoriť poistný ventil a spôsobiť únik plynu.

⚠ UPOZORNENIE

- ✿ Tekutý propánový (LP – Liquid propane) plyn je horľavý a v prípade nesprávneho používania nebezpečný. Pred použitím akéhokoľvek LP produktu si buďte vedomí jeho charakteristických vlastností.
- ✿ Charakteristické vlastnosti LP: Horľavý, pod tlakom výbušný, ťažší než vzduch, usadzuje sa a hromadí v nízkych oblastiach.
- ✿ Vo svojom prirodzenom stave nemá propán žiadny zápach. Z bezpečnostných dôvodov sa pridáva odorant, ktorý je cítiť po zhnitej kapuste.
- ✿ Kontakt s LP môže spôsobiť popálenie pokožky mrazom.
- ✿ Tento gril je od výrobcu nastavený IBA na použitie s LP plynom.
- ✿ Nikdy nepoužívajte tlakovú fľašu na LP plyn s poškodeným telom, ventilom, obrubou alebo základňou.
- ✿ Pretlačené alebo skorodované tlakové fľaše na LP plyn môžu byť nebezpečné a mal by ich skontrolovať váš dodávateľ LP plynu.

⚠ UPOZORNENIE

Na tomto grile je nevyhnutné udržiavať priestor ventilov, horáky a priechody na cirkuláciu vzduchu v čistote. Pred každým použitím gril skontrolujte.

VŠEOBECNÉ INFORMÁCIE

- ✿ POŽADOVANÁ TLAKOVÁ FĽAŠA NA PROPÁNOVÝ PLYN:
- ✿ Tento plynový gril NIE JE určený na komerčné použitie!
- ✿ Jednotky tekutého propánu sa musia používať iba s 10kg tlakovou fľašou.
- ✿ Ak plynový spotrebič na vonkajšie varenie nepoužívate, MUSÍTE uzavrieť plyn na zásobovacej tlakovej fľaši.
- ✿ MUSÍTE používať regulátor tlaku a celok hadice dodávaný k tomuto plynovému grilu. Náhradné regulátory a celky hadíc musia byť dodané výrobcom. Pozrite sa, prosím, na stránke dielov na náhradný diel č. 16.

2. POUŽÍVATEĽSKÁ PRÍRUČKA

Umiestnenie grilu a tlakovej fľaše na plyn

Barbecue grill

- ☼ Umiestnite barbecue grill na pevný, rovný a ohňovzdorný povrch.
- ☼ Zaisťte, aby bola dodržaná bezpečnostná vzdialenosť aspoň 60 cm od blízkych horľavých povrchov.
- ☼ Nikdy nepremiestňujte tento barbecue grill, ak je zapálený alebo stále horúci po grilovaní.

Tlaková fľaša na plyn

- ☼ Umiestnite tlakovú fľašu na plyn tak, aby nebola vystavená nepretržitému slnečnému svetlu alebo iným zdrojom tepla.
- ☼ Tlaková fľaša na plyn by mala byť počas používania umiestnená vedľa barbecue grilu, nie pod ním.
- ☼ Zaisťte, aby sa plynová hadica nedostala do kontaktu s akýmkoľvek dielom barbecue grilu, ktorý sa počas používania zahrieva. Zaisťte, aby nebola napnutá, skrútená a aby nehrozilo nebezpečenstvo jej poškodenia inými predmetmi.
- ☼ Počas používania neuchovávajte vnútri barbecue vozíka žiadnu tlakovú fľašu na plyn. Je zakázané vkladaf/ ukladať tlakovú fľašu na plyn do spotrebiča.

Pripojenie tlakovej fľaše

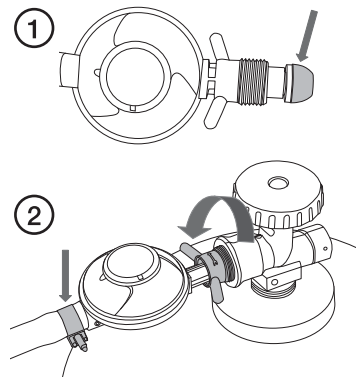
⚠ Dôležité:

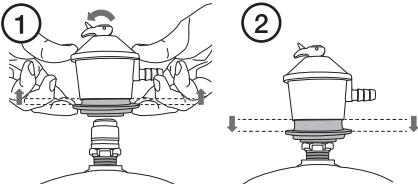
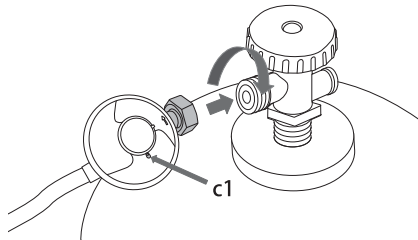
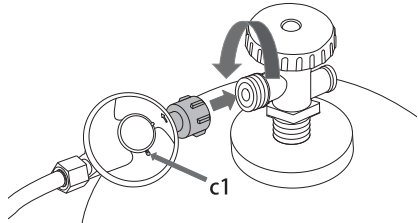
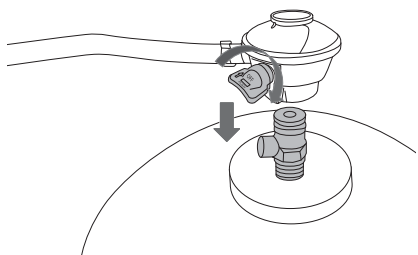
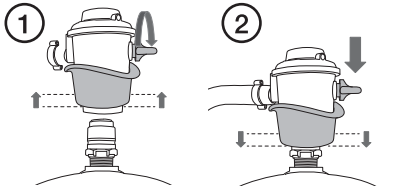
- ☼ Pred začatím pripájania tlakovej fľaše na plyn zaisťte, aby bol regulátor nastavený do polohy OFF (Vypnuté).
- ☼ Vzhľad regulátorov a spôsob ich pripojenia sa v jednotlivých krajinách líši.
- ☼ Nasledujúca tabuľka popisuje pripojenie 6 typov regulátorov (A–F).

1.

A

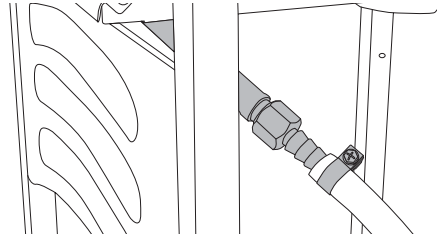
1. Skontrolujte gumové tesnenie na regulátore. Ak bolo akokoľvek poškodené, musíte regulátor vymeniť.
2. Pripojte plynovú hadicu k regulátoru (ak ešte nie je pripojená) a dotiahnite hadicovú svorku. Pripojte regulátor k tlakovej fľaši na plyn jeho priskrutkovaním na konektor ventilu. Regulátor uvedený na obrázku má ľavý závit.



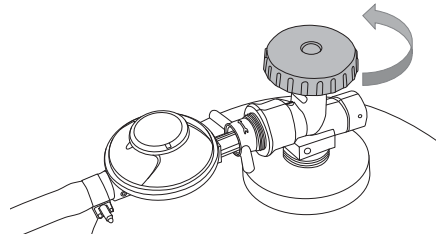
<p>B</p> <ol style="list-style-type: none"> 1. Uistite sa, že je regulátor nastavený do polohy OFF (Vypnuté). Nadvihnite pružinovú zaisťovaciu obrubu a pripevnite regulátor na hornú časť tlakovej fľaše na plyn. 2. Tlačte zaisťovaciu obrubu dole, kým nezačujete cvaknutie. 	
<p>C</p> <p>Pripojte regulátor k tlakovej fľaši na plyn otočením zaisťovacej matice v smere hodinových ručičiek.</p> <p>Otočte regulátor tak, aby bol vetrací otvor (c1) dole.</p>	
<p>D</p> <p>Pripojte regulátor k tlakovej fľaši na plyn otočením zaisťovacej matice proti smeru hodinových ručičiek.</p> <p>Otočte regulátor tak, aby bol vetrací otvor (c1) dole.</p>	
<p>E</p> <p>Uistite sa, že je regulátor nastavený do polohy OFF (Vypnuté).</p> <p>Tlačte regulátor dole na ventil, kým nezacvakne na svoje miesto.</p>	
<p>F</p> <ol style="list-style-type: none"> 1. Uistite sa, že je regulátor nastavený do polohy OFF (Vypnuté). Nadvihnite pružinovú zaisťovaciu obrubu a tlačte regulátor dole na tlakovú fľašu na plyn. 2. Zatlačte zaisťovaciu obrubu dole na zaistenie regulátora na tlakovej fľaši na plyn. 	

2. Pripojte plynovú hadicu k barbecue grilu a dotiahnite hadicovú svorku.

⚠ Na obrázku je znázornené pripojenie plynovej hadice podľa švédskych noriem. V niektorých krajinách má plynová hadica väčší priemer a je celkom zatlačená na konektor.



3. Otvorte veko a zaistite, aby boli ovládacie gombíky plynu nastavené do polohy **OFF (Vypnuté)**.
4. Otvorte tlakovú fľašu na plyn otočením ručného kolieska proti smeru hodinových ručičiek.



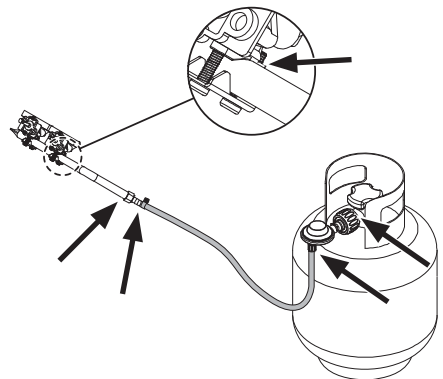
Test úniku plynu

- ☼ Pred použitím tohto barbecue grilu po pripojení tlakovej fľaše na plyn vždy otestujte únik plynu.
- ☼ Počas kontroly úniku plynu nefajčite.
- ☼ Vykonávajte test úniku plynu vo vonkajšom prostredí.
- ☼ Nikdy nepoužívajte na zistenie úniku plynu zapálené zápalky, zapalovače cigariet alebo iné zdroje otvoreného ohňa.

Ako vykonať test úniku plynu:

1. Miešaním pripravte roztok vody s trochou tekutiny na umývanie riadu.
2. Striekaním alebo kefkou naneste trochu roztoku mydlovej vody na miesta uvedené na obrázku.

Ak zistíte akékoľvek úniky (ak sa objavujú bubliny), musíte príslušné miesta pred použitím tohto produktu utesniť. **Ak si nie ste istí, ako tento barbecue gril používať**, kontaktujte pred použitím tohto produktu kvalifikovaného servisného technika.



Pokyny na zapáľovanie pre barbecue grill

1. Pred tým, než sa pokúsíte zapáliť horáky, otvorte poklop barbecue grilu.
2. Otočte všetky ovládacie gombíky v smere hodinových ručičiek do polohy „OFF“ (Vypnuté).
3. Pripojte regulátor k fľaši na plyn. Otvorte dodávku plynu („ON“) pri regulátore. Pomocou mydlovej vody zistíte akýkoľvek únik plynu medzi fľašou a regulátorom.
4. Stlačte ľavý predný ovládací gombík a podržte ho stlačený, zatiaľ čo ho otáčate proti smeru hodinových ručičiek do polohy „HIGH“ (Vysoký plameň) (začujete cvaknutie), aby ste zapálili ľavý horák. Skontrolujte, či sa horák zapálil. Ak nie, zopakujte tento postup.
5. Ak sa horák ani po opakovanom pokuse nezapálil, počkajte 5 minút a zopakujte krok 4.
6. Upravte množstvo tepla otočením gombíka do polohy High/Low (Vysoký/Nízky plameň).
7. Ak sa horák nezapáli. Zapáľte spotrebič pomocou zápalky s využitím zapalovacieho otvoru na boku spotrebiča. Požiadajte vášho predajcu plynu o opravu zapáľovania.
8. Na zapálenie zostávajúcich horákov v poradí zľava doprava zopakujte vyššie uvedený krok 4.
9. Na vypnutie („OFF“) barbecue grilu otočte ventil tlakovej fľaše alebo prepínač regulátora do polohy „OFF“ (Vypnuté) a potom otočte ovládací gombík na spotrebiči v smere hodinových ručičiek do polohy „OFF“ (Vypnuté).

VAROVANIE!

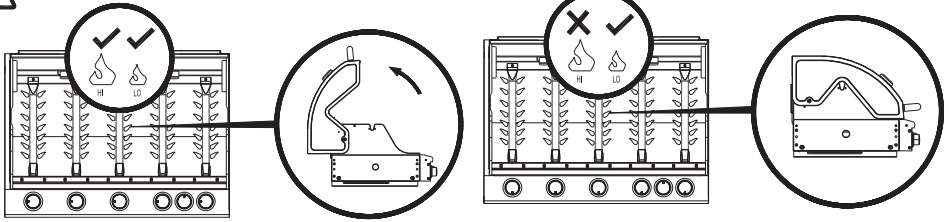
Ak sa horák nepodarí zapáliť, otočte ovládací gombík (v smere hodinových ručičiek) do polohy vypnuté a takisto uzavrite ventil tlakovej fľaše. Pred pokusom o opätovné zapálenie pomocou postupu na zapáľovanie počkajte päť minút.

Pred prvým varením používajte barbecue grill približne 15 minút s uzatvoreným vekom a nastavením plynu na LOW (Nízky plameň). Tým vykonáte „tepelné vyčistenie“ vnútorných dielov a odstránite zápach z natrených povrchov.

PO KAŽDOM použití barbecue grill očistite. NEPOUŽÍVAJTE čistiace prostriedky s brúsnyim účinkom alebo horľavé čistiace prostriedky, pretože by mohlo dôjsť k poškodeniu dielov tohto produktu a k vzniku požiaru. Na čistenie použite teplú mydlovú vodu.

VAROVANIE: Prístupné časti môžu byť veľmi horúce. Udržujte malé deti neustále v dostatočnej vzdialenosti od horúceho spotrebiča (aj počas ochladzovania!).

Odporúčame vám, aby ste pri manipulácii s obzvlášť horúcimi dielmi používali ochranné rukavice (napr. rukavice do rúry).



Na čo pamätať pred použitím barbecue grilu

- ☼ Nebezpečenstvo popálenia – noste ochranné rukavice.
- ☼ Zaisťte, aby bol tento barbecue gril umiestnený v otvorenej oblasti. Nikdy ho nepoužívajte v uzatvorenom priestore alebo pod strechou.
- ☼ Udržujte deti a domácich maznáčikov v bezpečnej vzdialenosti od tohto barbecue grilu.
- ☼ Nikdy nenechávajte tento barbecue gril počas používania bez dozoru.
- ☼ Veko nesmie byť počas používania barbecue grilu nikdy uzatvorené dlhšie, než päť minút naraz, inak hrozí nebezpečenstvo poškodenia a zmeny farby.

Čistenie a údržba

- ☼ Nechajte barbecue gril celkom vychladnúť a očistite vonkajšie povrchy vlhkou handričkou. Používajte iba jemné čistiace prostriedky; nikdy nepoužívajte rozpúšťadlá alebo žieravé chemikálie.
- ☼ Pravidelne kontrolujte neporušenosť plynovej hadice jej ohnutím. Ak zistíte akékoľvek praskliny, vymeňte pred ďalším použitím barbecue grilu hadicu.
- ☼ V prípade potreby barbecue gril dôkladne očistite:
 - Odstráňte regulátor z flakovej fľaše na plyn a položte ho na jednu stranu.
 - Vyberte rošt na pečenie a opatrne ho ručne umyte.
 - Vyberte dosku tepelného štítu nad horákom a v prípade potreby ju odstráňte. Ak sú zablokované výstupy plynu, môžete pomocou vhodného predmetu opatrne odstrániť akékoľvek nečistoty alebo zvyšky.
 - Opatrne zoškrabte akýkoľvek nadbytočný tuk z vnútorného priestoru barbecue grilu pomocou plastového alebo dreveného nástroja.
 - Môžete takisto opatrne umyť a vysušiť vnútorné priestory barbecue grilu vodou a jemným čistiacim prostriedkom. Zaisťte, aby sa do plynovej hadice a horáka nedostala žiadna voda.
 - V prípade potreby odstráňte a umyte misku používanú na zachytávanie tuku.

Ukladanie

- ☼ Počas barbecue sezóny by ste mali nepoužívaný barbecue gril premiestniť na vonkajšie miesto chránené proti vetru.
- ☼ Keď v zime premiestňujete barbecue gril do budovy, očistite ho podľa pokynov v časti Čistenie a údržba.
- ☼ Odstráňte flakovú fľašu na plyn a zaisťte, aby nebola plynová hadica ohnutá alebo poškodená inými predmetmi.
- ☼ Tento barbecue gril skladujte v suchom bezprašnom prostredí mimo dosahu detí.

SERVIS

Kompetentná registrovaná osoba by mala každý rok vykonať servis vášho plynového barbecue grilu.

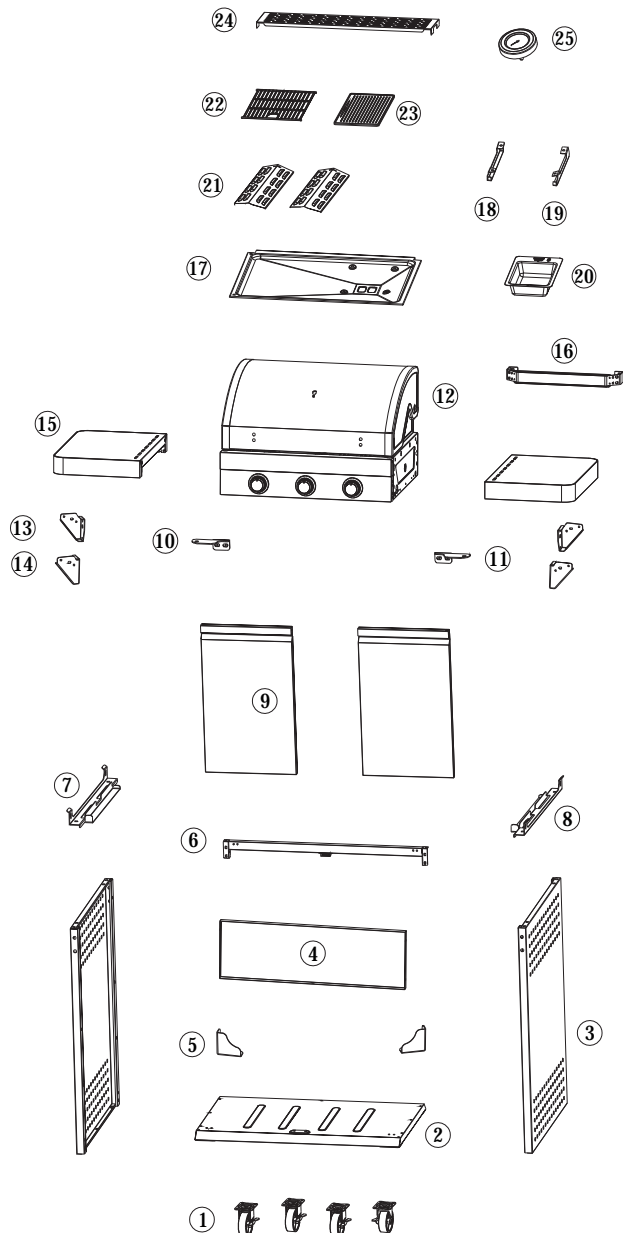
RIEŠENIE PROBLÉMOV












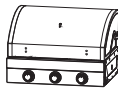






PROBLÉM	MOŽNÁ PRÍČINA	RIEŠENIE
Horáky sa pomocou systému zapalovania nezapália	<ol style="list-style-type: none"> 1. Tlaková fľaša na LP plyn je prázdna 2. Chybný regulátor 3. Prekážky v horáku 4. Prekážky v plynových dýzach alebo v plynovej hadici 5. Vodič elektródy je na elektróde alebo zapalovacej jednotke uvoľnený alebo odpojený 6. Elektróda alebo vodič je poškodený. Chybný tlačidlový zapalovač 	<ol style="list-style-type: none"> 1. Vymeňte ju za plnú tlakovú fľašu 2. Nechajte regulátor skontrolovať alebo vymeniť 3. Vyčistite horák 4. Vyčistite dýzy a plynovú hadicu 5. Znovu pripojte vodič 6. Vymeňte elektródu a vodič. Vymeňte zapalovač
Horák sa nedá zapáliť zápalkou	<ol style="list-style-type: none"> 1. Tlaková fľaša na LP plyn je prázdna 2. Chybný regulátor 3. Prekážky v horáku 4. Prekážky v plynových dýzach alebo v plynovej hadici 	<ol style="list-style-type: none"> 1. Vymeňte ju za plnú tlakovú fľašu 2. Nechajte regulátor skontrolovať alebo vymeniť 3. Vyčistite horák 4. Vyčistite dýzy a plynovú hadicu
Nízky plameň alebo spätný šľah plameňa (oheň v trubici horáka – môže byť počuť syčanie alebo hukot)	<ol style="list-style-type: none"> 1. Tlaková fľaša na LP plyn je príliš malá 2. Prekážky v horáku 3. Prekážky v plynových dýzach alebo v plynovej hadici 4. Veľerné počasie 	<ol style="list-style-type: none"> 1. Použite väčšiu tlakovú fľašu 2. Vyčistite horák 3. Vyčistite dýzy a plynovú hadicu 4. Používajte gril na lepšie chránenom mieste




















Technické údaje

SK	
Plyn (LPG)	I3+ (28-30/37) G30 Bután 28-30 mbar G31 Propán 37 mbar
Tlak a typ plynu	Bután 28-30 mbar / Propan 37 mbar
Výkon	3 x 3kW = 9 kW
Spotreba	Butan: 654 (g/h) a Propan: 642 (g/h)
Regulátor	Používaný regulátor musí byť schválený CE
Plynová hadica	Používaná plynová hadica musí byť schválená CE (max. dĺžka 1,5 m)
Zapalovanie	Integrované zapalovanie
Rozmery grilu	60 x 42 cm
Rozmery	122 x 57 x 112 cm

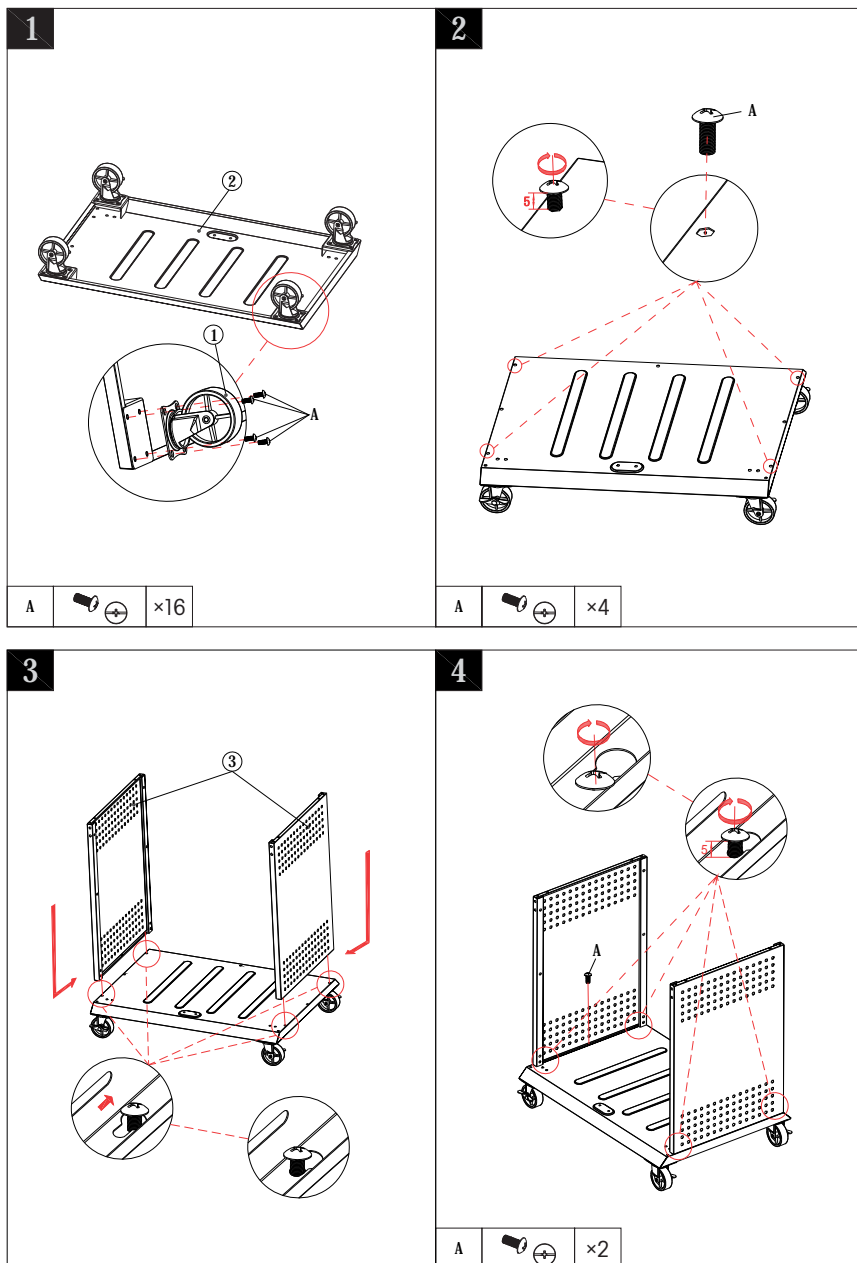
3. SCHÉMA DIELOV PRE FZG 3006

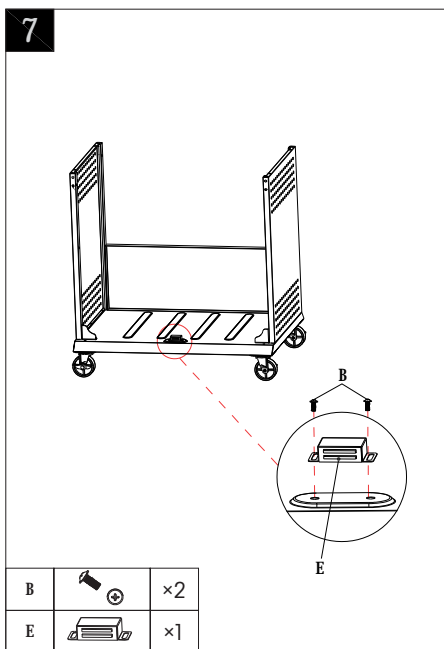
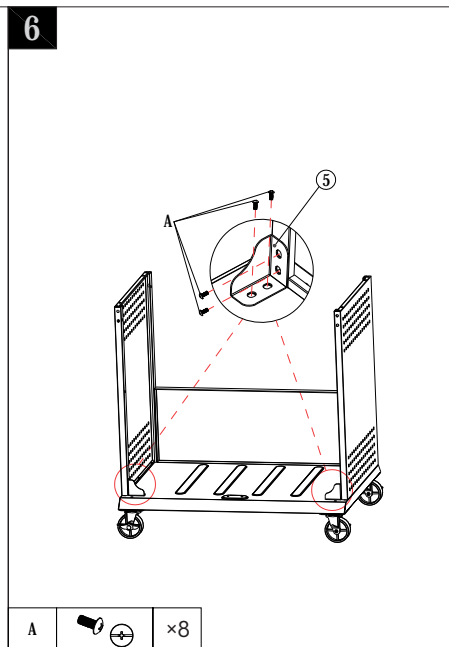
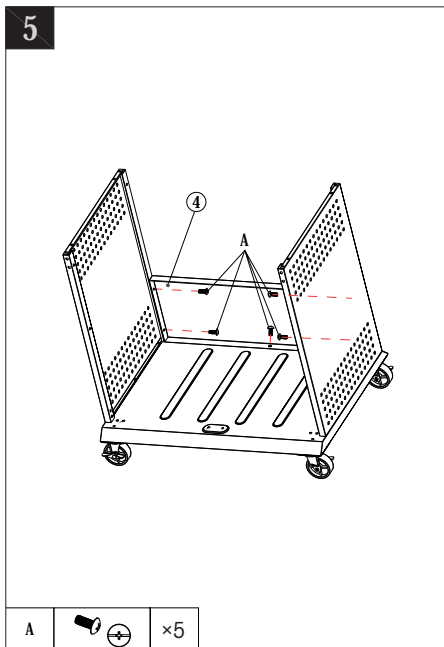


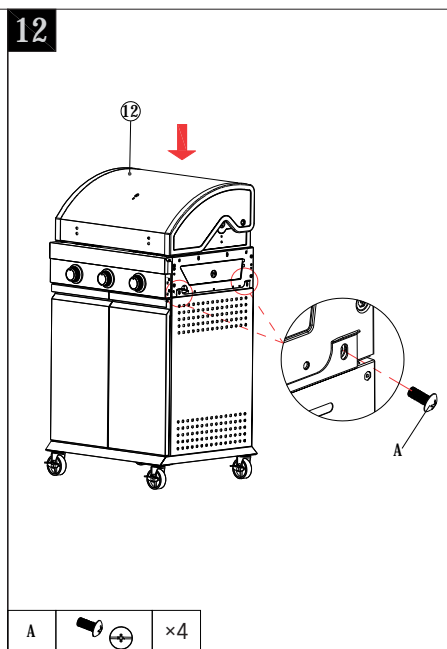
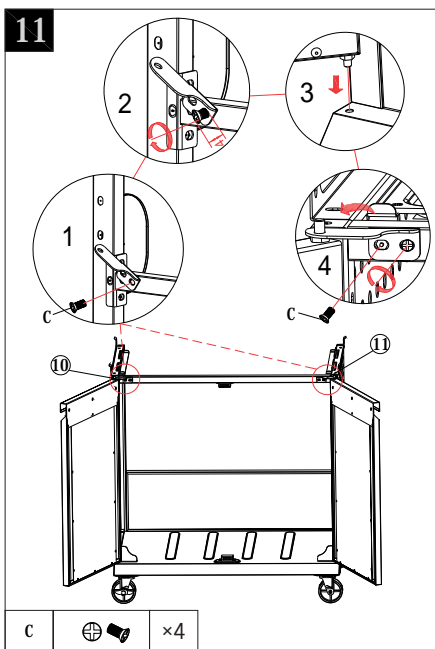
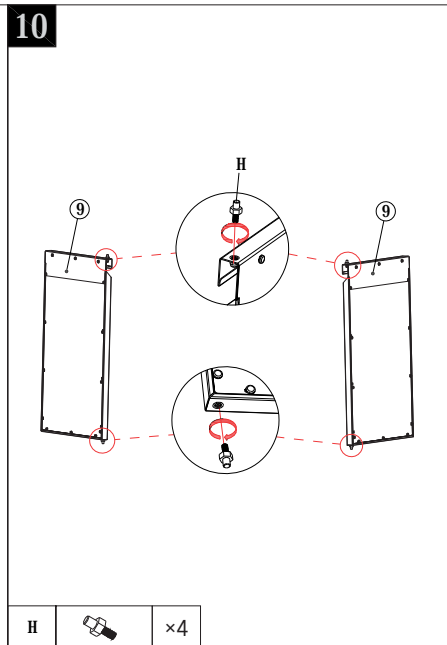
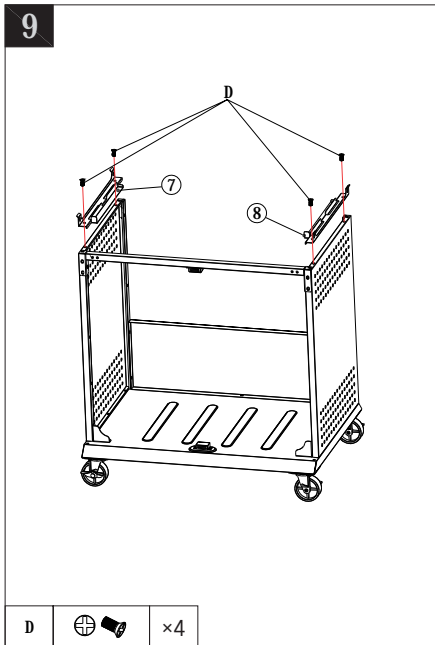
Č.	Diel	Množstvo
1		× 4
2		× 1
3		× 2
4		× 1
5		× 2
6		× 1
7		× 1 (L)
8		× 1 (R)
9		× 2
10		× 1 (L)
11		× 1 (R)
12		× 1
13		× 2 (B)
14		× 2 (F)
15		× 2
16		× 1
17		× 1
18		× 1 (L)

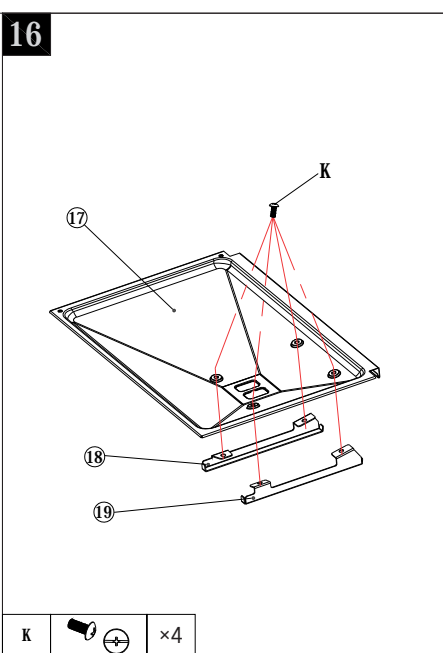
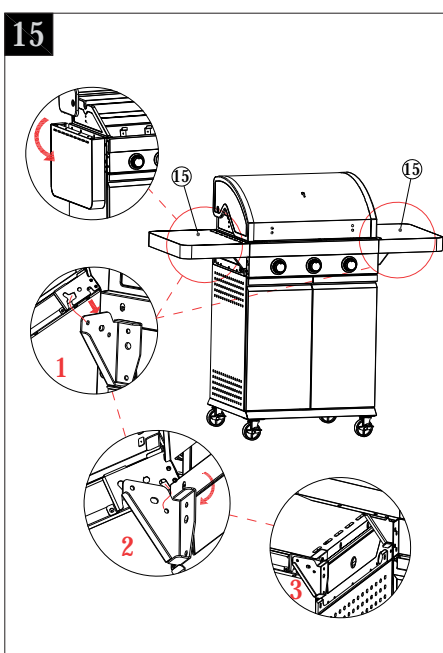
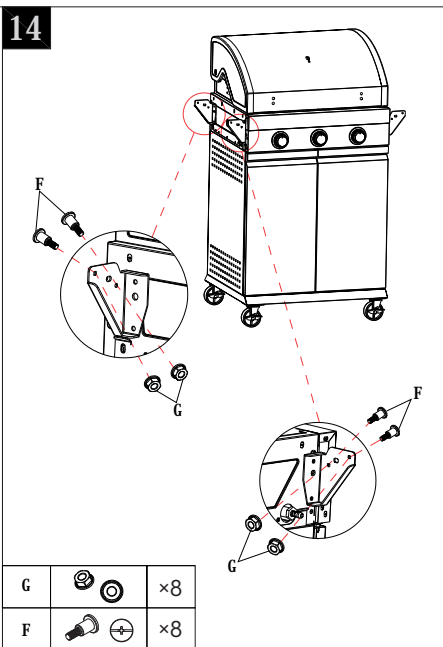
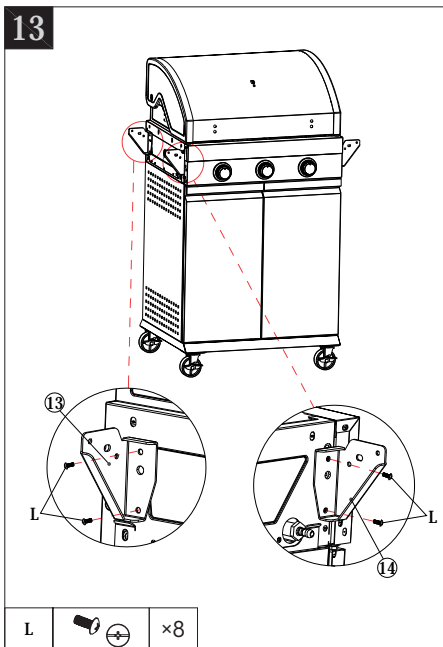
Č.	Diel	Množstvo
19		× 1 (R)
20		× 1
21		× 2
22		× 1
23		× 1
24		× 1
25		× 1
A	M5-10	 × 45
B	M4-8	 × 2
C	M4-10	 × 4
D	M5-12	 × 10
E		 × 1
F	M6-22	 × 8
G	M6	 × 8
H		 × 4
I	M6-15	 × 4
J	Φ 28-2	 × 1
K	M5-10	 × 4 (SS)
L	M5-16	 × 8

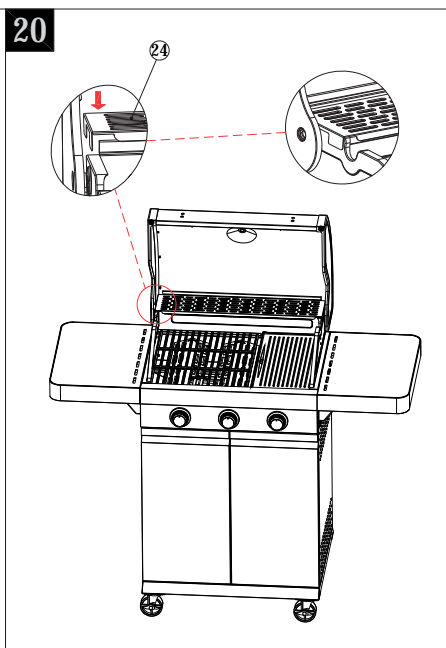
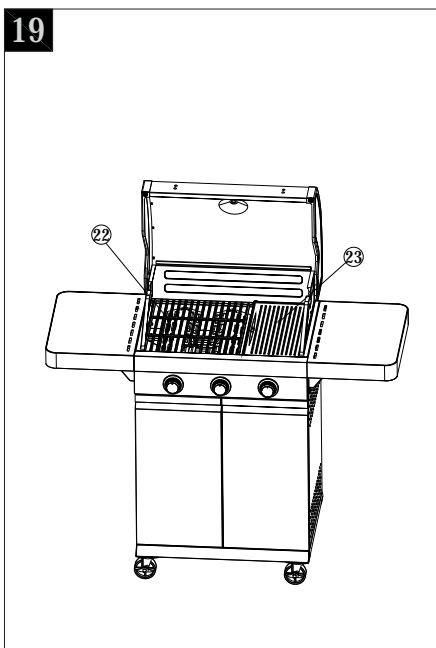
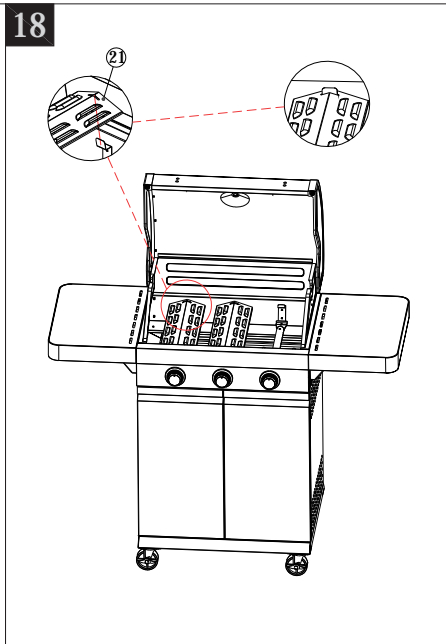
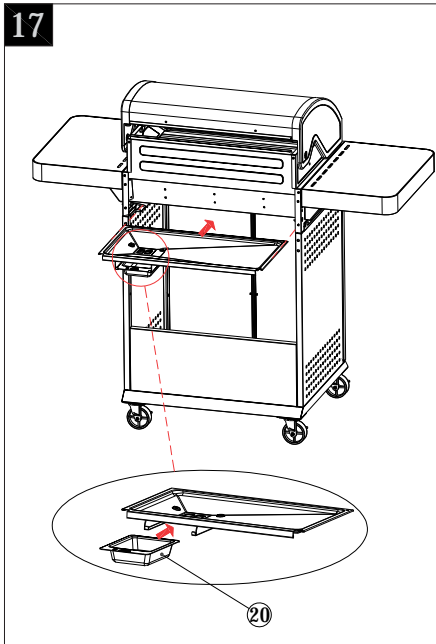
4. ZOSTAVENIE

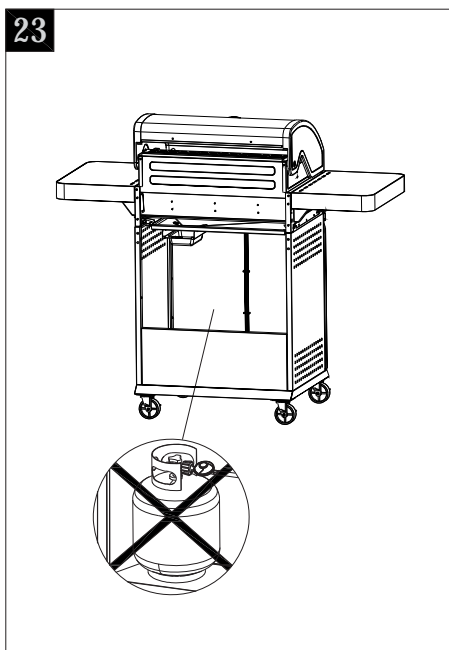
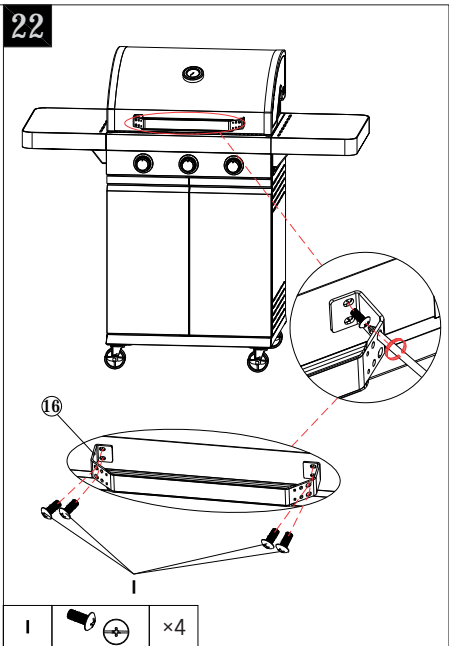
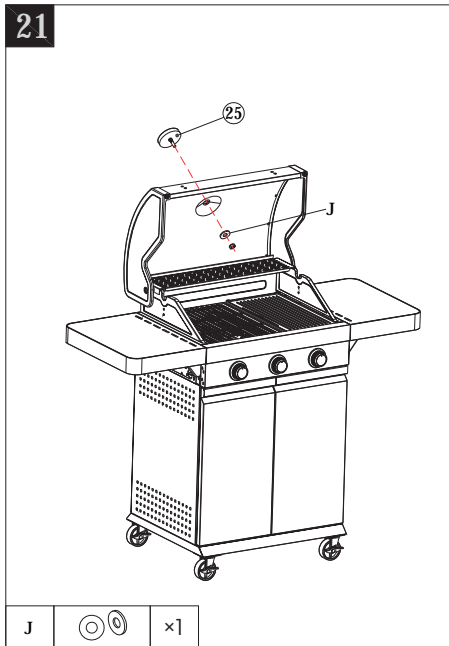












5. OCHRANA ŽIVOTNÉHO PROSTREDIA

- ⚠ Varovanie!** Nevyhadzujte elektrické a elektronické zariadenia do bežného netriedeného odpadu. Použite kontajnery na triedený odpad.
 Ďalšie informácie o recyklácii tohto elektrického zariadenia získate u autorizovaného predajcu alebo v zbernom dvore.

6. LIKVIDÁCIA

POKYNY A INFORMÁCIE PRE LIKVIDÁCIU VYRADENÝCH OBALOVÝCH MATERIÁLOV

Vyradený obalový materiál zlikvidujte v mieste určenom na likvidáciu odpadov vo vašom bydlisku.






Toto zariadenie a jeho príslušenstvo je vyrobené z rôznych materiálov, ako napríklad z kovu a plastov.
 Poškodené diely odneste do recyklačného strediska. Otázky smerujte na príslušné vládne oddelenie.



Tento produkt spĺňa všetky základné požiadavky všetkých príslušných smerníc EÚ.

Text, dizajn a technické údaje sa môžu zmeniť bez predchádzajúceho upozornenia a vyhradzuje si právo vykonávať zmeny.

7. TECHNICKÉ ÚDAJE

Výrobce / Manufacturer / Vyrábca Producent / Gyártó	Ningbo Huige Outdoor Products Co., Ltd No.333Tianhai Road,Binhai New Area Economic Development Zone, Fenghua District, Ningbo City, Zhejiang Province, China		Series	12/2023
Dovozce / Importer / Dowozca/ Importőr	FAST ČR, a.s., U Samitovu 1621, 251 01 Říčany,Czech Republic www.fieldmann.com			0063GN7292
Název výrobku/Product name Názov výrobku/Nazwa produktu Terméknév	Plynový gril / Gas grill / Plynový gril Grill gazowy / Gázűzítely	Modelové označení / Model number Modelové označenie / Numer modelu Tipusszám		FZG-3006 Plynový gril FZG-3006 Gas grill FZG-3006 Plynový gril FZG-3006 Grill gazowy FZG-3006 Gáz-űzít.
Kategorie plynu / Gas category Kategória plynu / Kategória plynu Gáz kategória	I3+(28-30/37) <input checked="" type="checkbox"/>	I3B/P(30)	I3P(37)	I3P(50)
Druh plynu a tlaku / Type of gas and pressure / Druh plynu a tlaku Rodzaj plynu i ciśnienie / Kategória gazu	Butane at 28-30 mbar and Propane at 37 mbar	Butane / Propane mixture at 30 mbar	Propane at 37 mbar	Propane at 50 mbar
Stát / Country / stáť Kraj / Ország	BE, CH, CY, CZ, ES, FR, GB, GR, IE, IT, LT, LU, LV, PT, SI, SK, TR	BG, CY, CZ, DK, EE, FI, GB, HR, HU, IT, LT, LU, MT, NL, NO, RO, SE, SI, SK, TR	BE, CZ, ES, GB, IE, PT, SI	CZ, DE, ES, NL
Ø vsifňkováč trysky do hl.hořáku Ø injection nozzle main burner Ø vsťekovacia tryska do hl. horáka Ø główny dysza wtryskiwaczy Ø befecskendező tűvívák fő égő	0.82mm	0.82mm	0.82mm	0.72mm
Celkový tepelný výkon Total heat output Celkový tepelný výkon Calkovita moc aleplina Teljes hőfejlesztmény	ΣQ _{ik} : 9 kW / Butan: 654 (g/h) a Propan: 642 (g/h) ΣQ _{ik} : 9 kW / Butane: 654 (g/h) and Propane: 642 (g/h) (3kW x 3) ΣQ _{ik} : 9 kW / bután: 654 (g/h) a propán: 642 (g/h) (3kW x 3) ΣQ _{ik} : 9 kW / Butan: 654 (g/h) i propan: 642 (g/h) (3kW x 3) ΣQ _{ik} : 9 kW / bután: 654 (g/h) és propán: 642 (g/h) (3kW x 3)			
	Vyrobeno v Číně / Made in China / Vyrobeno v Číne / Wyprodukowano w Chinach / Kínában készült			

GÁZ GRILLSÜTŐ

FELHASZNÁLÓI KÉZIKÖNYV

Köszönjük, hogy megvásárolta ezt a grillsütőt. A termék használata előtt figyelmesen olvassa el a használati útmutatót és őrizze meg a későbbiekre.

TARTALOM

1. ÁLTALÁNOS BIZTONSÁGI UTASÍTÁSOK.....	64
Biztonság mindenekelőtt!	64
ÁLTALÁNOS INFORMÁCIÓK	66
2. FELHASZNÁLÓI KÉZIKÖNYV.....	67
A grill és a gázpalack elhelyezése.....	67
Barbecue grill.....	67
Gázpalack.....	67
Gázpalack csatlakozása.....	67
Gászivárgásteszt.....	69
Utasítások a barbecue grill begyűjtéséhez.....	70
Mire ügyeljünk a barbecue grill használata előtt	71
Tisztítás és karbantartás	71
Tárolás	71
JAVÍTÁS.....	72
HIBAELHÁRÍTÁS.....	72
Műszaki adatok.....	72
3. FZG 3006 RÉSZEK SÉMÁJA	73
4. ÖSSZEÁLLÍTÁS	75
5. KÖRNYEZETVÉDELEM	81
6. MEGSEMISÍTÉS	81
7. MŰSZAKI ADATOK	82

1. ÁLTALÁNOS BIZTONSÁGI UTASÍTÁSOK

⚠ VESZÉLY

Ha gázt érez:

1. Zárja el a készülék gázellátását.
2. Oltson el minden nyílt tüzet.
3. Nyissa ki a fedelelet.
4. Ha a szag továbbra is érezhető, azonnal hívja fel a gázszolgáltatót vagy a tűzoltóságot.

⚠ FIGYELEM!

- ✿ A helytelen telepítés, beállítás, módosítás, szerviz vagy karbantartás sérülést vagy anyagi kárt okozhat.
- ✿ A készülék telepítése vagy szervizelése előtt olvassa el figyelmesen a telepítési, üzemeltetési és karbantartási utasításokat.
- ✿ Ezen utasítások be nem tartása tüzet vagy robbanást okozhat, ami anyagi kárt, személyi sérülést vagy halált eredményezhet

⚠ VESZÉLY!

NE HASZNÁLJA a grillt beltéri fűzéshez vagy melegítéshez. MÉRGEZŐ gázok felhalmozódhatnak, melyek fulladást okozhatnak.

NEHASZNÁLJA a készüléket beltérben, hajón vagy lakókocsiban.

TARTSA MEG AZ UTASÍTÁSOKAT KÉSŐBBI HASZNÁLATHOZ. HA A KÉSZÜLÉKET MÁS SZÁMÁRA ÁLLÍTTJA ÖSSZE, ADJA NEKI ÁT A HASZNÁLATI ÚTMUTATÓT, HOGY MEGŐRIZZE KÉSŐBBI HASZNÁLATRA.

FONTOS FIGYELMEZTETÉSEK: HASZNÁLAT ELŐTT OLVASSA EL AZ UTASÍTÁSOKAT!

⚠ FIGYELEM

A készülék vagy bármely más készülék közelében NE TÁROLJON és NE HASZNÁLJON benzint vagy más gyúlékony anyagot és folyadékat.

A használaton kívüli gázpalack NEM tárolható a készülék vagy bármely más készülék közelében.

Biztonság mindenekelőtt!

A grill használata előtt olvassa el az összes figyelmeztetést és óvintézkedést, és bizonyosodjon meg, hogy megértette őket.

⚠ VESZÉLY

Annak érdekében, hogy a gázszivárgás tesztelése során ne keletkezzen tűz- vagy robbanásveszély:

1. Mindig végezze el "gázszivárgástesztet" a grill indítása előtt, amikor a gázpalackot csatlakoztatja.
2. Ne dohányozzon. A gázszivárgásteszt során a helyszínen ne használjon és ne tároljon gyújtóforrásokat.
3. A gázszivárgástesztet kint, jól szellőztetett helyen végezze el.
4. A gázszivárgásteszt elvégzéséhez ne használjon gyufát, öngyújtót se más lángot.
5. Ne használja a grillt, amíg az összes gázszivárgást nem szünteti meg. Ha nem tudja megállítani a gázszivárgást, fejtse le a propánellátást. Hívjon gázkészülék szerviztechnikust vagy a helyi gázszolgáltatót.

⚠ FIGYELEM

1. A grill csak kültéri használatra készült, és nem szabad épületekben, garázsokban vagy más zárt helyen használni.
2. Ez a grill kizárólag propángázzal való használatra készült (nem tartalmazza a propángáz gázpalackot).
3. Soha ne próbálja meg csatlakoztatni a grillt lakókocsi vagy lakás külön propánrendszeréhez.
4. Soha ne használjon faszenet vagy folyékony gyújtókat.
5. Az alkoholfogyasztás vagy a vényköteles gyógyszerek használata csökkentheti a képességét megfelelően összeszerelni és használni a készüléket.
6. Ne használjon benzint, petróleumot vagy alkoholt a gyújtáshoz!
7. Mindig óvatosan és lassan nyissa ki a grillfedelelet, mivel a grillben felgyülemlt hő és gőz komoly égési sebeket okozhat.
8. A grillt mindig kemény és vízszintes felületre helyezze, amely elég távol van a gyúlékony anyagoktól. Előfordulhat, hogy erre a célra az aszfalt vagy aszfaltbeton felületek nem megfelelőek.
9. **NE PRÓBÁLJA** áthelyezni az égő grillt.
10. Ne hagyja felügyelet nélkül a grillt, és tartsa tőle távol a gyermekeket és a háziállatokat.
11. Ez a grill nem asztali típus, ezért ne helyezze azt asztali felületre.
12. Ne használja a grillt erős szélben.
13. Ne használja ezt a grillt, ha nincs teljesen **ÖSSZESZERELVE**, és az összes alkatrész nincs biztonságosan rögzítve és meghúzva.
14. Minden gyúlékony tárgyat és felületet mindig tartsa legalább 61 cm (24 in) távolságra a grilltől. **NE HASZNÁLJA** ezt a grillt se bármilyen gázterméket mennyezet alatt, vagy nem védett gyúlékony szerkezetek közelében.
15. Ha nem használja a gázpalackot, helyezzen porsapkát a gázpalack szelepének kimenetére. A gázpalack szelepkimenetére csak olyan porsapkát helyezzen, amely a gázpalackkal együtt volt szállítva. Más típusú sapkák vagy dugók propánszivárgást okozhatnak.

⚠ FIGYELEM

1. Ne tároljon tartalék gázpalackot LP-gázzal 3 m-nél (10 láb) közelebb a készülékhez.
2. Ne tároljon és ne használjon benzint vagy más gyúlékony folyadékot, 8 m-nél (25 láb) közelebb a készülékhez.
3. Ne hagyja, hogy abban az esetben, ha olajjal/zsírral főz az olaj/zsír hőfoka meghaladja a 177 °C-ot (350 °F).
4. Az olajat/zsírt ne hagyja felügyelet nélkül.

⚠ FIGYELMEZTETÉS

- ☼ Ne érintse meg a grill fém részeit, amíg a grill teljesen ki nem hűl (kb. 45 perc). Ellenkező esetben fennáll az égési veszély, ha nem visel védőfelszerelést (kesztyű, fogó, stb.).
- ☼ Ne használja robbanásveszélyes környezetben. Tartsa tisztán a grill helyet, ne tartalmazzon gyúlékony anyagokat, benzint és más gyúlékony anyagokat és folyadékokat.
- ☼ A grillt semmilyen módon ne módosítsa.
- ☼ Minden használat előtt tisztítsa meg a készüléket, és ellenőrizze a tömlőt. Ha kopás, elhasználódás, vágás vagy gázszivárgás jelei jelennek meg, cserélje ki a tömlőt a készülék használata előtt. A csere tömlőnek meg kell felelnie a gyártó előírásainak.
- ☼ Helyezze a gáztömlőket a lehető legtávolabbra a forró felületekről és csöpögő forró zsírtól.

- ☼ Soha ne tároljon töltött palackot forró autóban vagy autó csomagterében. A hő a gáznyomás növekedését okozza, ami megnyithatja a biztonsági szelepet és gázszivárgást okozhat.

⚠ FIGYELMEZTETÉS

- ☼ A folyékony propán (LP– Liquid propane) gáz gyúlékony, és ha rosszul használják, veszélyes. Mielőtt bármilyen LP terméket használna, tisztában kell lennie annak jellemzőivel.
- ☼ Az LP jellemzői: Tűzveszélyes, robbanásveszélyes, a levegőnél nehezebb, alacsonyabb területeken helyezkedik és gyűlemlik.
- ☼ Természetes állapotban a propánnak nincs szaga. Biztonsági okokból szagot adnak hozzá, amely a rothadt káposzta szagára emlékeztet.
- ☼ Az LP-vel való érintkezés fagy által okozott bőrkárosodást okozhat.
- ☼ Ez a grill gyárilag úgy van beállítva, hogy csak LP-gázzal használható.
- ☼ Soha ne használjon LP gázpalackot sérült testtel, szeleppel, gallérral vagy alappal.
- ☼ A horpadt vagy korrodált LP gázpalackok veszélyesek lehetnek, és az LP gázszolgáltatónak meg kell őket vizsgálnia.

⚠ FIGYELMEZTETÉS

Ezen a grillen tisztán kell tartani a szelepterületet, az égőket és a légáramlás átjárókat. Minden használat előtt ellenőrizze a grillt.

ÁLTALÁNOS INFORMÁCIÓK

- ☼ PROPÁNGÁZRA SZÜKSÉGES GÁZPALACK:
- ☼ Ez a grill NEM kereskedelmi célra készült!
- ☼ A folyékony propánegységeket csak 10kg gázpalackkal szabad használni.
- ☼ Ha a gázkészüléket kültéri főzéshez nem használja, akkor zárja el a gázellátást a gázpalackon.
- ☼ CSAK a grillel szállított nyomásszabályozót és tömlőt használja. A csere szabályozókat és tömlőszerelvényeket a gyártónak kell szállítania. Olvassa el az alkatrészek listáját a 16. oldalon.

2. FELHASZNÁLÓI KÉZIKÖNYV

A grill és a gázpalack elhelyezése

Barbecue grill

- ☼ Helyezze a grillezőt szilárd, vízszintes és tűzálló felületre.
- ☼ Ügyeljen arra, hogy belegyen tartva a biztonsági távolság - legalább 60 cm-re legyen a közeli gyúlékony felületektől.
- ☼ Soha ne helyezze át grillezőt, ha a grillező működésben van vagy még meleg.

Gázpalack

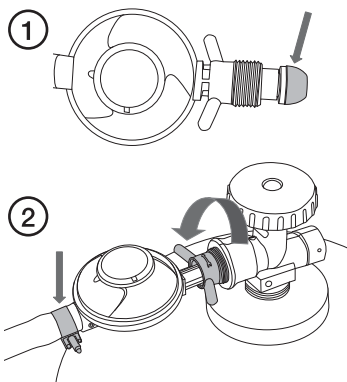
- ☼ Helyezze a gázpalackot úgy, hogy ne legyen kitéve megszakítás nélküli napfénynek vagy más hőforrásoknak.
- ☼ A gázpalackot használat közben a grill mellett kell elhelyezni, nem alatta.
- ☼ Győződjön meg, hogy a gáztömlő nem érintkezik a barbecue grill bármely olyan részével, amely használat közben felmelegszik. Ügyeljen arra, hogy ne legyen megfeszítve, összecsavarodva, és hogy más tárgyak ne sértsék meg.
- ☼ Használat közben ne tároljon gázpalackokat a barbecue-kocsiban. Tilos a gázpalack ráhelyezése/behelyezése a készülékbe.

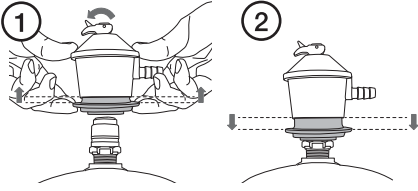
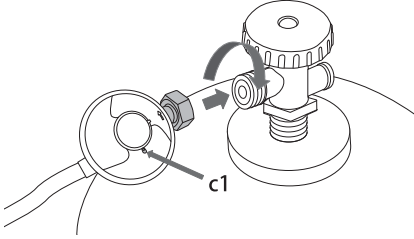
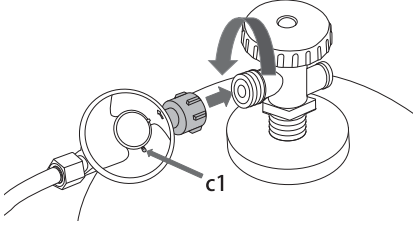
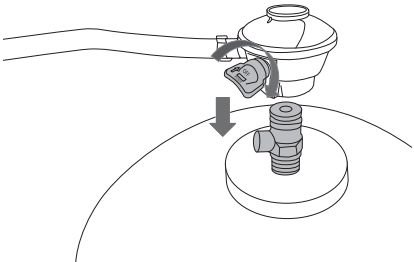
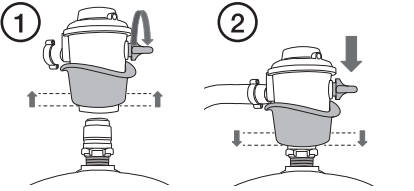
Gázpalack csatlakozása

⚠ Fontos:

- ☼ Mielőtt elkezdene a gázpalack csatlakoztatását, győződjön meg, hogy a szabályozó OFF (kikapcs) állásban van.
- ☼ A szabályozók kinézete és csatlakoztatása országonként változik.
- ☼ A következő táblázat a szabályozók hat típusának csatlakoztatását írja le (A–F).

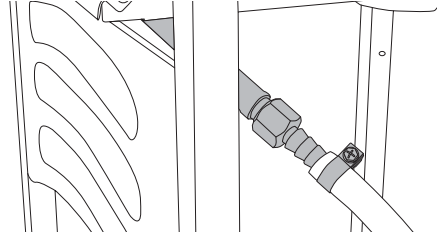
1.

<p>A</p> <ol style="list-style-type: none"> 1. Ellenőrizze a szabályozó gumi tömítését. Ha bármilyen módon sérült, cserélje ki a szabályozót. 2. Csatlakoztassa a gáztömlőt a szabályozóhoz (ha még nincs csatlakoztatva) és húzza meg a tömlő szorítókapcsát. Csatlakoztassa a szabályozót a gázpalackhoz úgy, hogy a szelep csatlakozójára csavarja. Az ábrán látható szabályozó bal oldali menettel van ellátva. 	 <p>The diagram consists of two parts. Part 1 shows a top-down view of the grill's gas inlet with a gas cylinder being inserted. An arrow points to the cylinder, and a circled '1' is next to it. Part 2 shows a side view of the gas cylinder being secured to the grill's gas inlet with a nut and washer. An arrow points to the nut, and a circled '2' is next to it.</p>
--	---

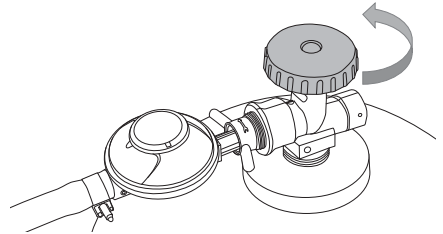
<p>B</p> <ol style="list-style-type: none"> 1. Győződjön meg, hogy a szabályozó OFF (kikapcs) állásban van. Emelje fel a rugós rögzítő gallért és rögzítse a szabályozót a gázpalack felső részére. 2. Húzza lefelé a rögzítő gallér, amíg egy kattanást nem hall. 	
<p>C</p> <p>Csatlakoztassa a szabályozót a gázpalackhoz úgy, hogy a biztosító anyacsavart az óramutató járásával megegyező irányba forgatja. Forgassa el a szabályozót úgy, hogy a szellőzőnyílás (c1) alul legyen.</p>	
<p>D</p> <p>Csatlakoztassa a szabályozót a gázpalackhoz úgy, hogy a biztosító anyacsavart az óramutató járásával ellentétes irányba forgatja. Forgassa el a szabályozót úgy, hogy a szellőzőnyílás (c1) alul legyen.</p>	
<p>E</p> <p>Győződjön meg, hogy a szabályozó OFF (kikapcs) állásban van. Nyomja le a szabályozót a szelepre, amíg a helyére nem kattan.</p>	
<p>F</p> <ol style="list-style-type: none"> 1. Győződjön meg, hogy a szabályozó OFF (kikapcs) állásban van. Emelje fel a rugós rögzítő gallért és nyomja le a szabályozót a gázpalackra. 2. Nyomja le a biztosító gallért a szabályozó gázpalackhoz való rögzítéséhez. 	

2. Csatlakoztassa a gáztömlőt a barbecue grillhez és húzza meg a tömlő szorítókapcsát.

⚠ Az ábra a gáztömlő csatlakozását mutatja a svéd szabvány szerint. Néhány országban a gáztömlő nagyobb átmérőjű, és teljesen rá van nyomva a csatlakozóra.



3. Nyissa ki a fedelet, és győződjön meg, hogy a gázvezérlő gombok **OFF (kikapcs)** állásban vannak.
4. A kézikereket az óramutató járásával ellentétes irányba forgatva nyissa ki a gázpalackot.



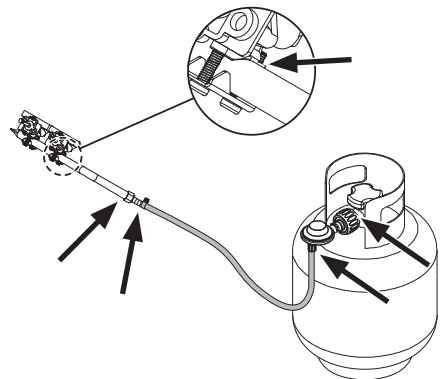
Gázzívárgásteszt

- ☼ A grillező használata előtt mindig ellenőrizze a gázzívárgást, miután csatlakoztatta a gázpalackot.
- ☼ A gázzívárgás ellenőrzése közben ne dohányozzon.
- ☼ A gázzívárgástesztet a kültéri környezetben végezze el.
- ☼ Soha ne használjon gyújtott gyufákat, öngyújtókat vagy más nyílt tűzforrásokat a gázzívárgás tesztelésére.

Hogyan végezzük el a gázzívárgástesztet:

1. Keverjen a vízbe egy kis mosogatószeret.
2. A szappanos vízoldatot fújja vagy kefe segítségével vigye fel a képen látható helyekre.

Ha szívárgást észlel (buborékok jelennek meg a teszt közben), a termék használata előtt le kell zárni a szívárgás helyét. **Ha nem biztos benne, hogyan kell használni a grillezőt**, a termék használata előtt forduljon szakképzett szakemberhez.



Utasítások a barbecue grill begyújtásához

1. Az égők begyújtása előtt nyissa ki a grill-fedelet.
2. Az összes vezérlőgombot az óramutató járásával megegyező irányba fordítsa „OFF” (kikapcs) állásba.
3. Csatlakoztassa a szabályozót a gázpalackhoz. Nyissa ki a gázellátást (“ON”) a vezérlőn. Szappanos vízzel ellenőrizze az esetleges gázszivárgásokat a palack és a szabályozó között.
4. Nyomja meg és tartsa lenyomva a bal első vezérlőgombot, miközben az óramutató járásával ellentétes irányba “HIGH” (Magas láng) helyzetbe forgatja (kattanást fog hallani) a bal oldali égő begyújtásához. Ellenőrizze, hogy az égő meggyulladt. Ha nem, ismételje meg ezt az eljárást.
5. Ha az égőt továbbra sem sikerül begyújtani, próbálkozzon újra, várjon 5 percet, és ismételje meg a 4. lépést.
6. Állítsa be a hőt úgy, hogy a gombot High/Low (Magas/alacsony láng) helyzetbe fordítja.
7. Amíg az égő nem gyullad be. Gyújtsa be a készüléket gyufával, a készülék oldalán lévő gyújtónyílás segítségével. Vegye fel a kapcsolatot a gázkereskedővel a gyújtás javításáért.
8. A megmaradó égők begyújtásához balról jobbra ismételje meg a fenti 4. lépést.
9. A barbecue grill kikapcsolásához (OFF) fordítsa a gázpalack szelepét vagy a szabályozó kapcsolót „OFF” (kikapcs) állásba, majd fordítsa el a készülék vezérlőgombját az óramutató járásával megegyező irányban „OFF” (kikapcs) állásba.

FIGYELEM!

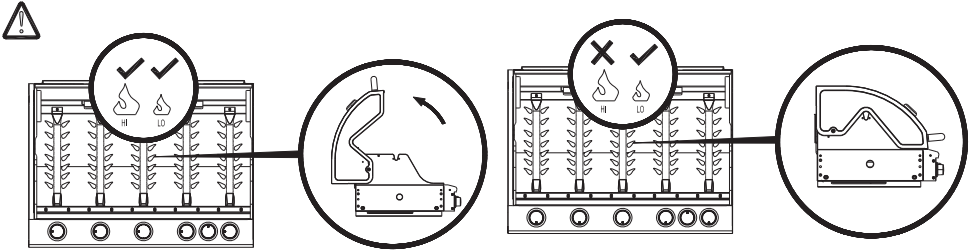
Ha az égő nem gyullad be, fordítsa a vezérlőgombot (az óramutató járásával megegyező irányba) kikapcsolt helyzetbe, és zárja el a gázpalack szelepét. Várjon öt percet, mielőtt újra megpróbálja begyújtani a gyújtási eljárás szerint.

Az első főzés előtt kb. 15 percig használja a barbecue-sütőt, csukott a fedéllel és a gázt alacsonyra LOW (alacsony láng)-ra állítva. Ez "hőtisztítja" a belső alkatrészeket és eltávolítja a szagokat a festett felületektől.

MINDEN használat után tisztítsa meg a barbecue grillt. NE használjon súroló vagy gyúlékony tisztítószeret, mert ezek károsíthatják a termék egyes részei és tüzet okozhatnak. A tisztításhoz használjon meleg szappanos vizet.

FIGYELEM: Bizonyos elérhető részek nagyon forrók lehetnek. A kisgyerekeket mindig tartsa távol a forró készülékektől (még hűtés közben is!).

Javasoljuk, hogy viseljen védőkesztyűt (pl. sütőkesztyű) a különösen forró alkatrészek kezelésekor.



Mire ügyeljünk a barbecue grill használata előtt

- ☼ Égési veszély - viseljen védőkesztyűt.
- ☼ Győződjön meg, hogy a grill nyílt területen van elhelyezve. Soha ne használja zárt térben vagy tető alatt.
- ☼ Tartsa a grillt és a háziállatokat biztonságos távolságra a grilltől.
- ☼ Használat közben a barbecue grillt soha ne hagyja felügyelet nélkül.
- ☼ A barbecue grill használata során a fedelet soha nem szabad öt percnél hosszabb ideig lecsukni, különben károsodás és elszíneződés veszélye áll fenn.

Tisztítás és karbantartás

- ☼ Hagyja, hogy a barbecue grill teljesen lehűljön, és nedves ruhával tisztítsa meg a külső felületeket. Csak enyhe tisztítószereket használjon; soha ne használjon oldószereket vagy maró anyagokat.
- ☼ Hajlítással rendszeresen ellenőrizze, hogy a gáztömlő nem sérült. Ha bármilyen repedést észlel, cserélje ki a tömlőt a grill használata előtt.
- ☼ Ha szükséges, óvatosan tisztítsa meg a barbecue grillt:
 - Távolítsa el a szabályozót a gázpalackról, és helyezze az egyik oldalra.
 - Távolítsa el a rácsot, és óvatosan mossa le kézzel.
 - Vegye ki a hővédő lemezt az égő felett, és ha szükséges, távolítsa el. Ha a gázkimenetek blokkolva vannak, megfelelő tárgy segítségével gondosan eltávolíthatja a szennyeződések vagy törmelék.
 - Óvatosan távolítsa el a felesleges zsírt a barbecue grill belsejéből egy műanyag vagy fából készült szerszám segítségével.
 - A barbecue grill belsejét is óvatosan mossa le vízzel és enyhe mosószerrel majd szárítsa meg. Ügyeljen arra, hogy ne kerüljön víz a gáztömlőbe és az égőbe.
 - Szükség esetén távolítsa el és mossa le a zsírtálcát.

Tárolás

- ☼ A barbecue-szezon alatt a nem használt barbecue grillezőt szél ellen védett kültéri környezetben kell elhelyezni.
- ☼ Amikor a barbecue grillt télre beltérbe helyezi, tisztítsa meg a Tisztítás és karbantartás szakaszban leírtak szerint.
- ☼ Távolítsa el a gázpalackot, és ügyeljen arra, hogy a gáztömlő ne hajoljon meg vagy más tárgyak ne sértsék meg.
- ☼ A grillt pormentes, száraz helyen tárolja gyermekektől távol.

JAVÍTÁS

Az illetékes regisztrált személynek évente szervizelni kell a barbecue grillt.

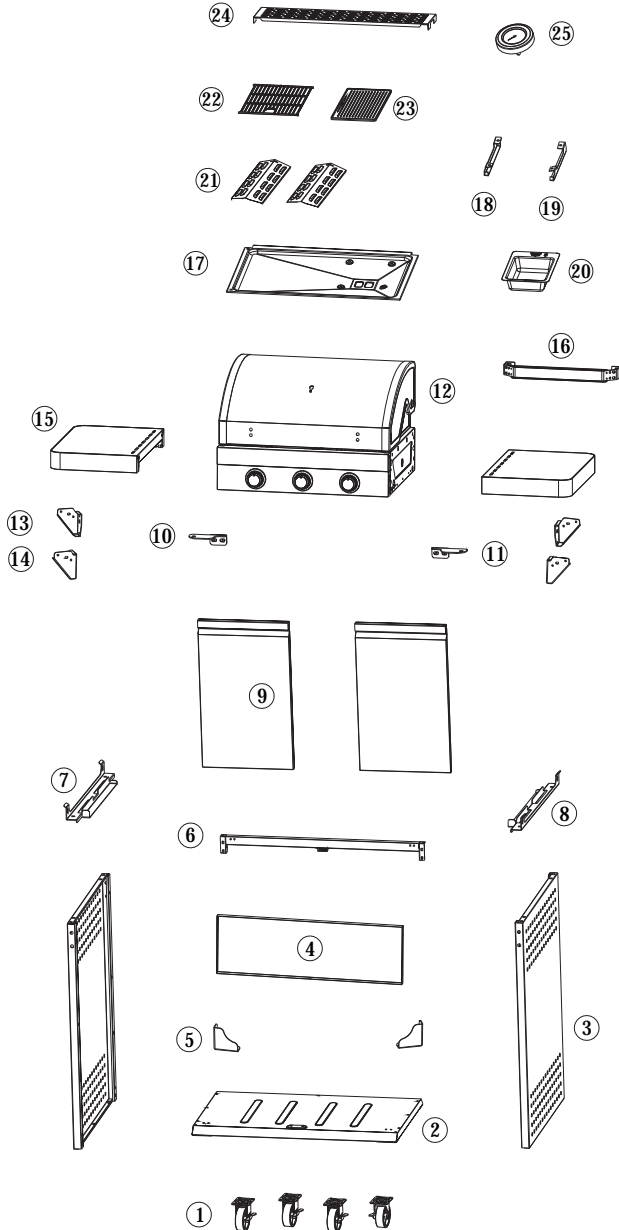
HIBAELHÁRÍTÁS




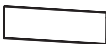


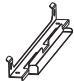
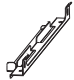



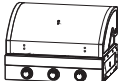






PROBLÉMA	LEHETSÉGES OK	MEGOLDÁS
Az égő a gyújtórendszerrel nem gyullad be	<ol style="list-style-type: none"> 1. Az LP gázpalack üres 2. Hibás szabályozó 3. Akadályok az égőben 4. Akadályok a gázcsövekben vagy a tömlőben 5. Az elektródavezeték megglazult vagy leválasztódott az elektródáról vagy a gyújtásegységről 6. Az elektróda vagy a vezeték sérült. Hibás gomb gyújtó 	<ol style="list-style-type: none"> 1. Cserélje ki teli gázpalackra 2. Ellenőriztesse vagy cseréltesse ki a szabályozót 3. Tisztítsa meg az égőt 4. Tisztítsa meg a csöveket és a tömlőt 5. Csatlakoztassa újra a vezetéket 6. Cserélje ki az elektródát és a vezetéket. Cserélje ki a gyújtót
Az égő nem gyújtható gyufával	<ol style="list-style-type: none"> 1. Az LP gázpalack üres 2. Hibás szabályozó 3. Akadályok az égőben 4. Akadályok a gázcsövekben vagy a tömlőben 	<ol style="list-style-type: none"> 1. Cserélje ki teli gázpalackra 2. Ellenőriztesse vagy cseréltesse ki a szabályozót 3. Tisztítsa meg az égőt 4. Tisztítsa meg a csöveket és a tömlőt
Alacsony láng vagy visszaütő láng (tűz az égő csövében – sziszegő vagy zümmögő hang hallható)	<ol style="list-style-type: none"> 1. Az LP gázpalack nagyon kicsi 2. Akadályok az égőben 3. Akadályok a gázcsövekben vagy a tömlőben 4. Szeles időjárás 	<ol style="list-style-type: none"> 1. Használjon nagyobb gázpalackot 2. Tisztítsa meg az égőt 3. Tisztítsa meg a csöveket és a tömlőt 4. A grillt védettebb helyen használja





























Műszaki adatok

HU	
Gáz (LPG)	I3+ (28-30/37) G30 Bután 28-30 mbar G31 Propan 37 mbar
Nyomás és gázípus	Butan 28-30 mbar / Propan 37 mbar
Teljesítmény	3 x 3kW = 9 kW
Fogyasztás	Butan: 654 (g/h) a Propan: 642 (g/h)
Szabályozó	A használt vezérlőnek CE-jóváhagyással kell rendelkeznie
Gáztömlő	Az alkalmazott gáztömlőnek CE-jóváhagyással kell rendelkeznie (maximális hossz 1,5 m)
Gyújtás	Integrált gyújtás
Grill méretei	60 x 42 cm
Méret	122 x 57 x 112 cm

3. FZG 3006 RÉSZEK SÉMÁJA




Sz.	Rész	Mennyiség
1		× 4
2		× 1
3		× 2
4		× 1
5		× 2
6		× 1
7		× 1 (L)
8		× 1 (R)
9		× 2
10		× 1 (L)
11		× 1 (R)
12		× 1
13		× 2 (B)
14		× 2 (F)
15		× 2
16		× 1
17		× 1
18		× 1 (L)


Sz.	Rész	Mennyiség
19		× 1 (R)
20		× 1
21		× 2
22		× 1
23		× 1
24		× 1
25		× 1
A	M5-10	  × 45
B	M4-8	  × 2
C	M4-10	  × 4
D	M5-12	  × 10
E		 × 1
F	M6-22	 × 8
G	M6	  × 8
H		 × 4
I	M6-15	  × 4
J	Φ 28-2	  × 1
K	M5-10	  × 4 (SS)
L	M5-16	  × 8

4. ÖSSZEÁLLÍTÁS

1


A  ×16

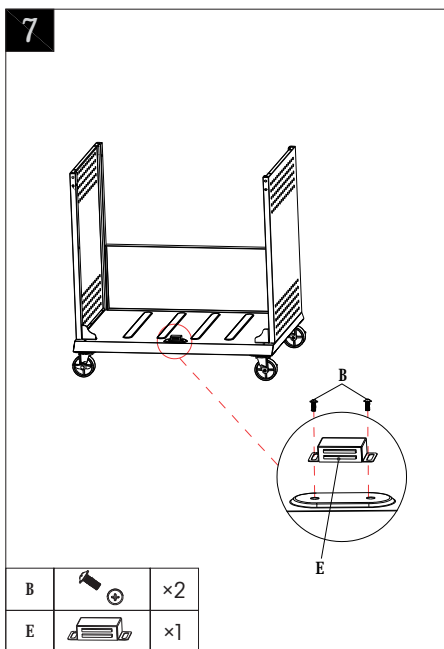
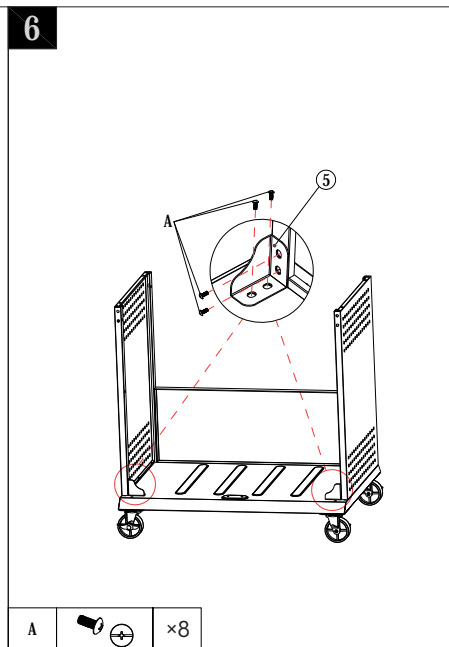
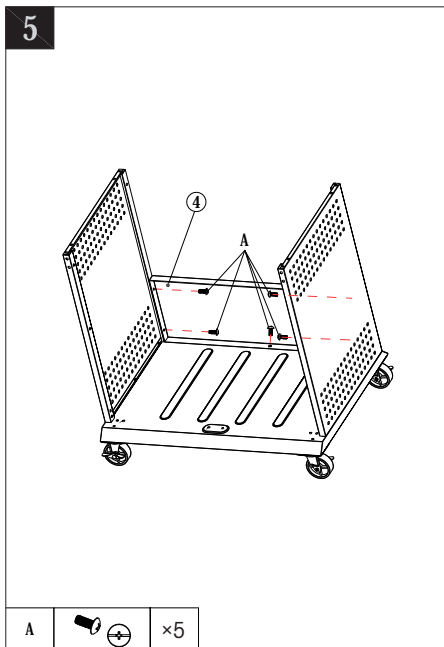
2

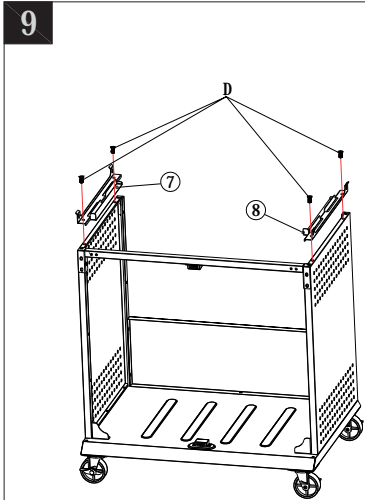
A  ×4

3

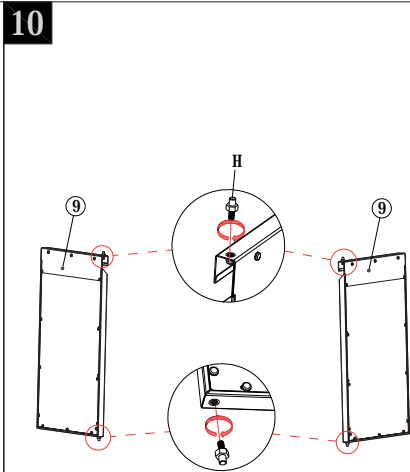
4

A  ×2

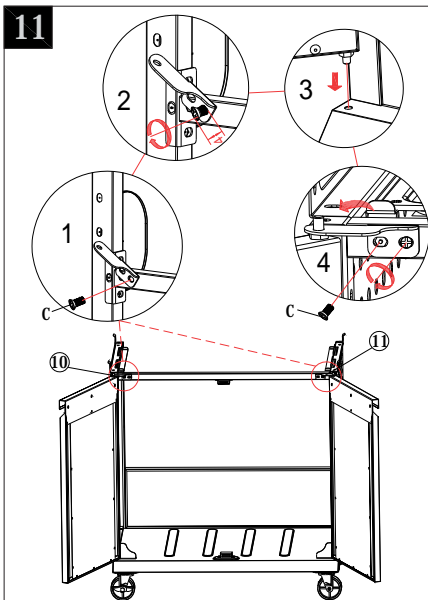




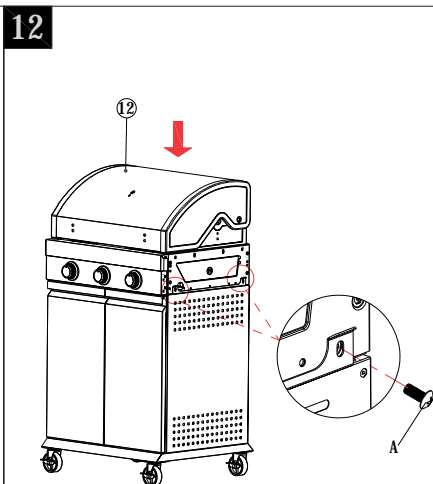
D  ×4



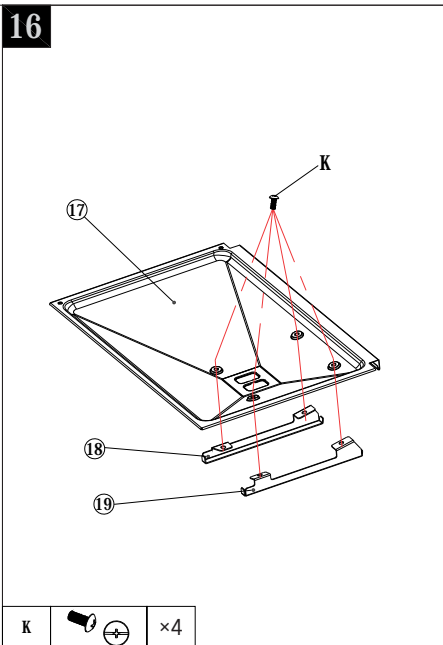
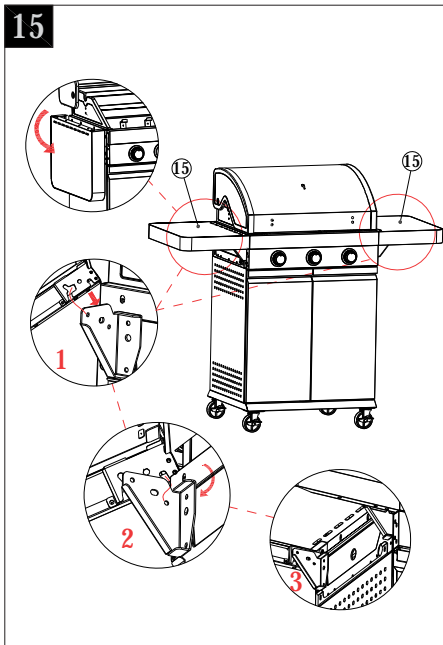
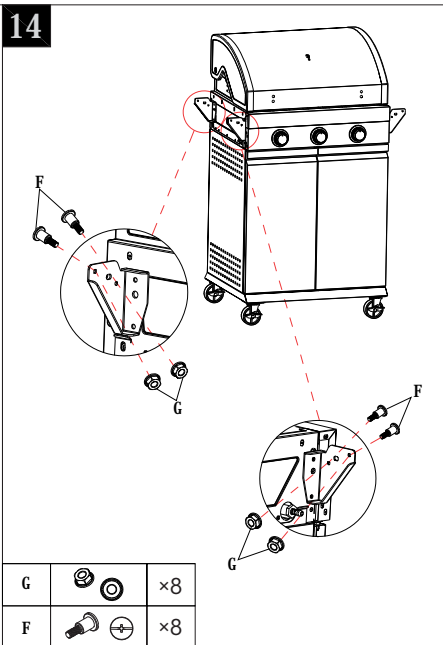
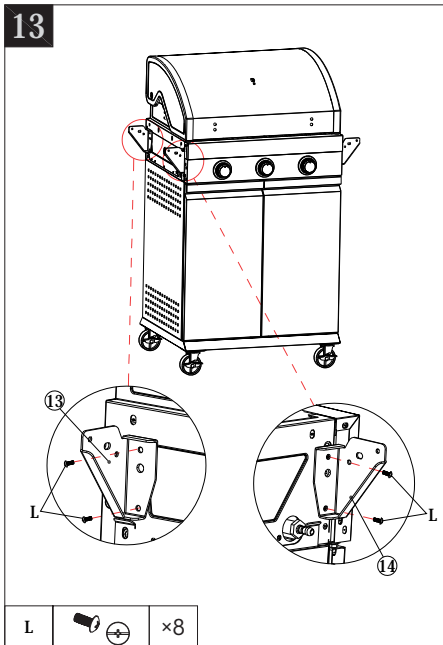
H  ×4

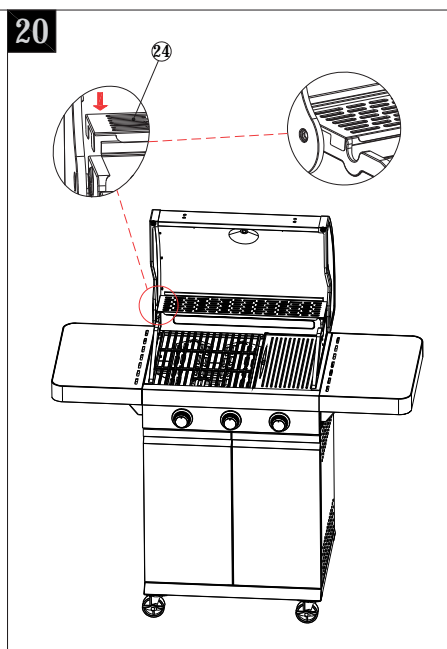
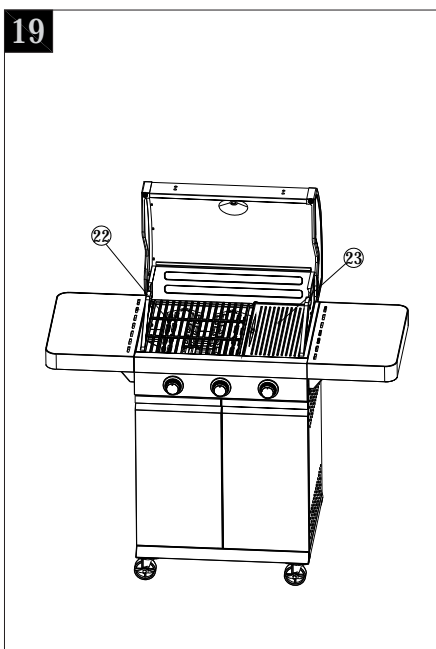
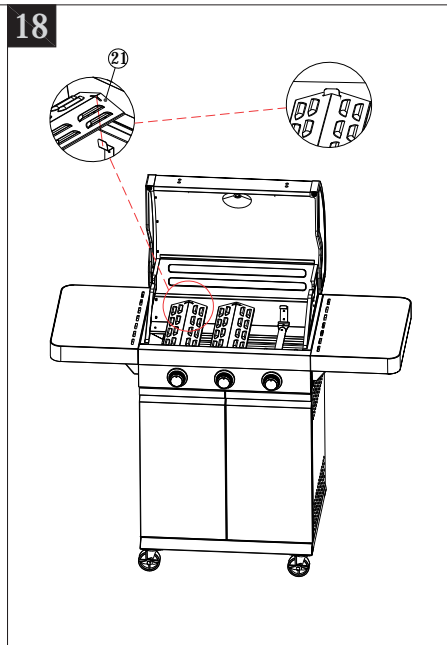
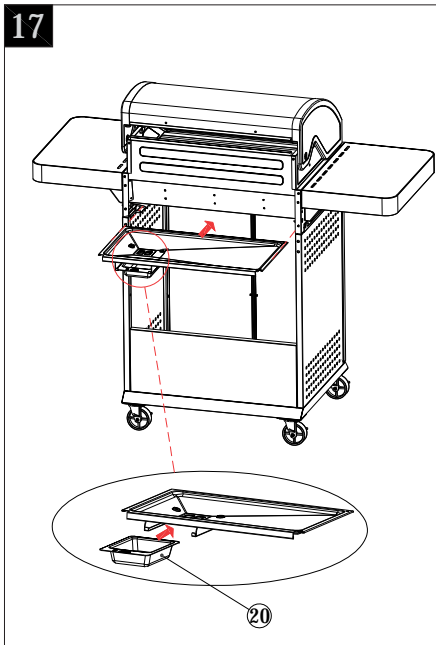


C  ×4

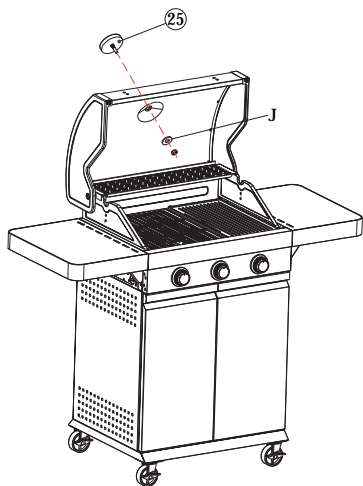


A  ×4



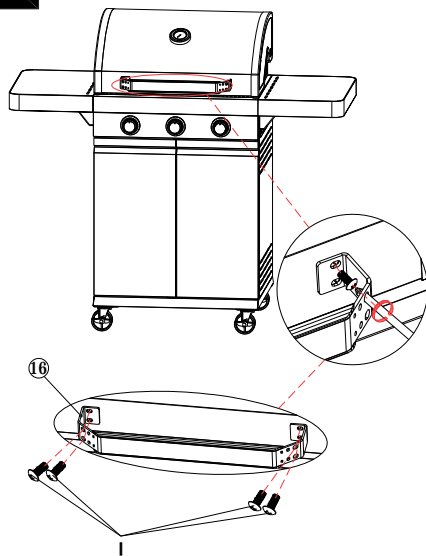


21



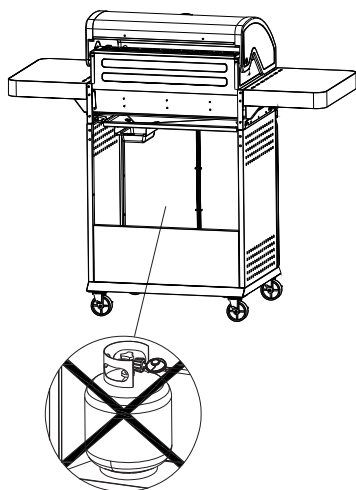
J   ×1

22



1    ×4

23



5. KÖRNYEZETVÉDELEM

⚠ Figyelem! Az elektromos és elektronikus berendezéseket ne dobja hagyományos, nem válogatott hulladékba. Használjon külön hulladéktárolókat.

Az elektromos készülék újrahaznosításával kapcsolatos további információt az eladótól vagy a gyűjtőudvarban kaphat.

6. MEGSEMMISÍTÉS

A HASZNÁLT CSOMAGOLÓANYAGOKRA VONATKOZÓ MEGSEMMISÍTÉSI UTASÍTÁSOK ÉS TÁJÉKOZTATÓ

A felesleges csomagolóanyagot a településén meghatározott hulladékmegsemmisítő helyen semmisítse meg.





A készülék és tartozékai különböző anyagokból, pl. fémből és műanyagból készültek. A sérült részeket vigye el az újrafeldolgozó központba. Kérdéseivel forduljon a megfelelő kormányzati szervhez.



Ez a termék teljesíti az EU valamennyi vonatkozó irányelvének alapkövetelményeit.

A szövegben, kivételben és műszaki jellemzőkben előzetes figyelmeztetés nélkül változtatások történhetnek, és a változtatások jogát fenntartjuk.

7. MŰSZAKI ADATOK

Výrobc / Manufacturer / Vyrábca Producent / Gyártó	Ningbo Huige Outdoor Products Co., Ltd No.333Tianhai Road,Binhai New Area Economic Development Zone, Fenghua District, Ningbo City, Zhejiang Province, China		Series	12/2023
Dovozce / Importer / Dowozca/ Importőr	FAST ČR, a.s., U Samitovu 1621, 251 01 Říčany,Czech Republic www.fieldmann.com		CE 0063-23	0063GN7292
Název výrobku/Product name Názov výrobku/Nazwa produktu Terméknév	Plynový gril / Gas grill / Plynový gril Grill gazowy / Gázűztűhely	Modelové označení / Model number Modelové označenie / Numer modelu Tipusszám	FZG-3006 Plynový gril FZG-3006 Gas grill FZG-3006 Plynový gril FZG-3006 Grill gazowy FZG-3006 Gáz-űztű	
Kategorie plynu / Gas category Kategória plynu / Kategória plynu Gáz kategória	I3+(28-30/37) <input checked="" type="checkbox"/>	I3B/P(30)	I3P(37)	I3P(50)
Druh plynu a tlaku / Type of gas and pressure / Druh plynu a tlaku Rodzaj plynu i ciśnienie / Kategorie gazu	Butane at 28-30 mbar and Propane at 37 mbar	Butane / Propane mixture at 30 mbar	Propane at 37 mbar	Propane at 50 mbar
Stát / Country / stáť Kraj / Ország	BE, CH, CY, CZ, ES, FR, GB, GR, IE, IT, LT, LU, LV, PT, SI, SK, TR	BG, CY, CZ, DK, EE, FI, GB, HR, HU, IT, LT, LU, MT, NL, NO, RO, SE, SI, SK, TR	BE, CZ, ES, GB, IE, PT, SI	CZ, DE, ES, NL
Ø vestřikovací trysky do hl.hořáku Ø injection nozzles main burner Ø vřstřikovací tryska do hl. horáka Ø główny dysza wtryskiwaczy Ø befecskendező tűvőkák fő égő	0.82mm	0.82mm	0.82mm	0.72mm
Celkový tepelný výkon Total heat output Celkový tepelný výkon Calkovita moc aleplina Teljes hőfejlesztmény	ΣQ _{ik} : 9 kW / Butan: 654 (g/h) a Propan: 642 (g/h) ΣQ _{ik} : 9 kW / Butane: 654 (g/h) and Propane: 642 (g/h) (3kW x 3) ΣQ _{ik} : 9 kW / bután: 654 (g/h) a propán: 642 (g/h) (3kW x 3) ΣQ _{ik} : 9 kW / Butan: 654 (g/h) i propan: 642 (g/h) (3kW x 3) ΣQ _{ik} : 9 kW / bután: 654 (g/h) és propán: 642 (g/h) (3kW x 3)			
 FIELDMANN Home & Garden Performance	Vyrobeno v Číne / Made in China / Wyrobiono w Chinach / Wyprodukowano w Chinach / Kínában készült		 FIELDMANN Home & Garden Performance	

GRILL GAZOWY

INSTRUKCJA OBSŁUGI

Dziękujemy za zakupienie tego grilla gazowego. Przed przystąpieniem do jego użytkowania należy dokładnie zapoznać się z niniejszą instrukcją i zachować ją do wglądu w przyszłości.

SPIS TREŚCI

1. OGÓLNE WSKAZÓWKI DOTYCZĄCE BEZPIECZEŃSTWA.....	84
Bezpieczeństwo przede wszystkim!.....	84
INFORMACJE OGÓLNE	86
2. INSTRUKCJA OBSŁUGI.....	87
Ustawienie grilla i butli gazowej.....	87
Grill barbecue	87
Ciśnieniowa butla gazowa.....	87
Podłączenie butli ciśnieniowej.....	87
Test szczelności instalacji gazowej.....	89
Wskazówki zapalania grilla barbecue	90
O czym należy pamiętać przed użyciem grilla	91
Czyszczenie i konserwacja	91
Przechowywanie	91
SERWIS.....	92
ROZWIĄZYWANIE PROBLEMÓW	92
Dane techniczne	92
3. SCHEMAT CZĘŚCI DLA FZG 3006	93
4. MONTAŻ	95
5. OCHRONA ŚRODOWISKA NATURALNEGO.....	101
6. UTYLIZACJA	101
7. DANE TECHNICZNE	102

1. OGÓLNE WSKAZÓWKI DOTYCZĄCE BEZPIECZEŃSTWA

ZAGROŻENIE

Jeżeli wyczuwasz zapach gazu:

1. Zamknij dopływ gazu do urządzenia.
2. Zgaś otwarty ogień.
3. Otwórz pokrywkę.
4. Jeżeli zapach wciąż jest wyczuwalny, natychmiast wezwij pogotowie gazowe lub straż pożarną.

UWAGA!

- ✿ Nieprawidłowy montaż, regulacja, modyfikacje, serwis lub konserwacja mogą być przyczyną urazu lub szkody majątkowej.
- ✿ Przed montażem lub serwisowaniem tego urządzenia przeczytaj dokładnie instrukcję montażu, obsługi i konserwacji.
- ✿ Nieprzestrzeganie tych instrukcji może prowadzić do pożaru lub wybuchu, którego następstwem może być szkoda majątkowa, uraz lub śmierć

ZAGROŻENIE!

NIE UŻYWAJ grilla gazowego do gotowania lub podgrzewania wewnątrz pomieszczeń. Mogłoby to spowodować nagromadzenie się TRUJĄCYCH gazów, które mogą powodować uduszenie.

NIE UŻYWAJ urządzenia w pomieszczeniach lub na pokładzie łodzi ani w przyczepach kempingowych.

ZACHOWAJ NINIEJSZĄ INSTRUKCJĘ DO WGLĄDU W PRZYSZŁOŚCI. JEŻELI MONTUJESZ TO URZĄDZENIE DLA INNEJ OSOBY, PRZEKAŻ JEJ NINIEJSZĄ INSTRUKCJĘ DO WGLĄDU W PRZYSZŁOŚCI.

WAŻNE OSTRZEŻENIE: PRZED MONTAŻEM I UŻYCIEM NALEŻY PRZECZYTAĆ WSZYSTKIE INSTRUKCJE!

UWAGA

W pobliżu tego urządzenia lub jakiegokolwiek innego urządzenia NIE PRZECHOWUJ I NIE UŻYWAJ benzyny ani innych palnych substancji i cieczy.

Butli gazowej, która nie jest podłączona do urządzenia, NIE WOLNO przechowywać w pobliżu tego ani jakiegokolwiek innego urządzenia.

Bezpieczeństwo przede wszystkim!

Przed użyciem tego grilla przeczytaj wszystkie ostrzeżenia i informacje o środkach bezpieczeństwa i upewnij się, że są one zrozumiałe.

ZAGROŻENIE

Aby zapobiec ryzyku pożaru lub wybuchu podczas testowania szczelności instalacji gazowej:

1. „Test szczelności instalacji gazowej” przeprowadź przed rozpaleniem grilla, przy każdym podłączeniu butli gazowej.

2. Nie pal papierosów. Podczas wykonywania testu szczelności instalacji gazowej w danym miejscu nie używaj i nie przechowuj potencjalnych źródeł zapłonu.
3. Wykonuj test szczelności instalacji gazowej w dobrze wentylowanym miejscu.
4. Do testu szczelności instalacji gazowej nie używaj zapalek, zapalniczek ani płomieni.
5. Nie używaj grilla, dopóki nie zostaną usunięte wszystkie nieszczelności. Jeżeli niemożliwe jest zatrzymanie wycieku gazu, odłącz dopływ propanu. Wezwij serwisanta instalacji gazowych lub miejscowego dostawcę propanu.

⚠ UWAGA

1. Ten grill jest przeznaczony wyłącznie do użytku zewnętrznego i zabrania się jego używania wewnątrz budynków, garaży lub w jakiegokolwiek innej przestrzeni zamkniętej.
2. Ten grill jest przeznaczony do użytku wyłącznie z propanem (butlę ciśnieniową na propan należy zakupić oddzielnie).
3. Zabrania się podłączania tego grilla bezpośrednio do samodzielnej instalacji propanu w przyczepie kempingowej, kamperze lub domu.
4. W żadnym przypadku nie używaj węgla drzewnego ani podpałek w płynie.
5. Spożycie alkoholu lub stosowanie leków może obniżyć percepcję, utrudniając prawidłowy montaż i bezpieczne używanie tego urządzenia.
6. Nie używaj do rozpalania benzyny, nafty ani alkoholu!
7. Pokrywą grilla należy podnosić ostrożnie i powoli, ponieważ ciepło i para nagromadzone wewnątrz grilla mogą spowodować poważne oparzenia.
8. Grill należy umieścić na twardej i równej powierzchni, w odpowiedniej odległości od substancji łatwopalnych. Powierzchnia asfaltowa lub asfaltowo-betonowa może nie być odpowiednia do tego celu.
9. NIE PRÓBUJ przestawiać rozpalonego grilla.
10. Nie pozostawiaj rozpalonego grilla bez nadzoru, w szczególności zachowuj odpowiednią odległość dzieci i zwierząt domowych od grilla.
11. Ten grill nie jest grilem stołowym, dlatego nie wolno ustawiać go na żadnej powierzchni stołu.
12. Nie używaj grilla podczas silnego wiatru.
13. Nie używaj grilla, który nie jest KOMPLETNIE zmontowany i którego wszystkie elementy nie są bezpiecznie przymocowane i dokręcone.
14. Utrzymuj wszelkie łatwopalne przedmioty i powierzchnie w odległości co najmniej 61 cm (24 cali) od grilla. NIE UŻYWAJ tego grilla gazowego ani żadnego innego produktu gazowego pod jakimkolwiek dachem lub w pobliżu jakichkolwiek niezabezpieczonych konstrukcji palnych.
15. Jeżeli butla gazowa nie jest używana, na wylocie zaworu butli zamontuj osłonę zabezpieczającą przed pyłem. Na wylocie zaworu butli ciśnieniowej należy montować wyłącznie taki rodzaj osłony zabezpieczającej przed pyłem, jaki dostarczono razem z zaworem butli. Inne rodzaje osłon lub zatyczek mogą spowodować wyciek propanu.

⚠ UWAGA

1. Nie przechowuj zapasowych butli gazowych w odległości mniejszej niż 3 m (10 stóp) od tego urządzenia.
2. Nie przechowuj i nie używaj benzyny ani innych płynów łatwopalnych w odległości mniejszej niż 8 m (25 stóp) od tego urządzenia.
3. Podczas gotowania z użyciem oleju/łuszczy nie dopuść, aby temperatura oleju/łuszczy przekroczyła 177°C (350°F).
4. Nie pozostawiaj oleju/łuszczy bez nadzoru.

⚠ UWAGA

- ✿ Dopóki grill się całkowicie nie ochłodzi (około 45 min), nie dotykaj metalowych elementów grilla. Jeżeli nie stosujesz środków ochronnych (ściereczki, rękawice, rękawice do grilla itp.) istnieje ryzyko oparzenia.
- ✿ Nie używaj w środowisku zagrożonym wybuchem. Utrzymuj miejsce grillowania czyste i bez materiałów łatwopalnych, benzyny i innych palnych substancji i cieczy.
- ✿ Jakikolwiek przeróbki grilla są zabronione.
- ✿ Przed każdym użyciem wyczyść urządzenia i sprawdź stan węża. W przypadku pojawienia się oznak otarcia, zużycia, przecięcia lub wycieku gazu, wąż należy wymienić przed użyciem urządzenia. Zapasowy wąż wraz z wyposażeniem musi być zgodny ze specyfikacją producenta.
- ✿ Przesuń przewody gazowe jak najdalej od gorących powierzchni i skapującego gorącego tłuszczu.
- ✿ Nigdy nie przechowuj pełnego zbiornika w rozgrzanym samochodzie lub w bagażniku. Ciepło powoduje wzrost ciśnienia gazu, co mogłoby doprowadzić do otwarcia zaworu bezpieczeństwa i wycieku gazu.

⚠ UWAGA

- ✿ Płynny propan (LP – Liquid propane) jest łatwopalny i w przypadku nieprawidłowego użytkowania może być niebezpieczny. Przed użyciem jakiegokolwiek produktu LP należy zapoznać się z jego charakterystycznymi właściwościami.
- ✿ Właściwości charakterystyczne LP: Łatwopalny, pod ciśnieniem wybuchowy, cięższy od powietrza, osadza się i gromadzi w niższych partiach.
- ✿ W stanie naturalnym propan jest bezwonny. Ze względu na bezpieczeństwo dodaje się do niego środek zapachowy, którego zapach przypomina zgnitą kapustę.
- ✿ Kontakt z LP może spowodować odmrożenia skóry.
- ✿ Ten grill jest fabrycznie przystosowany WYŁĄCZNIE do użycia z gazem LP.
- ✿ W żadnym przypadku nie używaj butli z gazem LP, która ma uszkodzony korpus, zawór, kołnierz lub podstawę.
- ✿ Wgnieciona lub skorodowana butla z gazem LP może być niebezpieczna i należy przekazać ją do kontroli dostawcy gazu LP.

⚠ UWAGA

Obszar zaworu, palników i przepustów cyrkulacji powietrza w grillu należy utrzymywać w czystości. Przed każdym użyciem należy grill skontrolować.

INFORMACJE OGÓLNE

- ✿ WYMAGANA BUTLA NA PROPAN:
- ✿ Grill gazowy NIE JEST przeznaczony do użytku komercyjnego!
- ✿ Dopuszcza się użycie wyłącznie 10kg butli na propan.
- ✿ Jeżeli nie używasz urządzenia gazowego do przygotowywania potraw, BEZWZGLĘDNIE zamknij dopływ gazu na butli ciśnieniowej.
- ✿ BEZWZGLĘDNIE stosuj regulator ciśnienia i zespół węża dostarczany wraz z tym grillem gazowym. Zapasowe regulatory i zespoły węży muszą być dostarczone przez producenta. Na stronie z częściami zapasowymi sprawdź część nr 16.

2. INSTRUKCJA OBSŁUGI

Ustawienie grilla i butli gazowej

Grill barbecue

- ✿ Postaw grill barbecue na wytrzymałej, równej i ognioodpornej powierzchni.
- ✿ Zapewnij utrzymanie bezpiecznej odległości co najmniej 60 cm od okolicznych łatwopalnych powierzchni.
- ✿ Nie przemieszczaj tego grilla barbecue, jeżeli jest rozpalony lub jeszcze gorący po grillowaniu.

Ciśnieniowa butla gazowa

- ✿ Umieść ciśnieniową butlę gazową tak, aby nie była wystawiona na ciągłe działanie światła słonecznego lub innego źródła ciepła.
- ✿ Ciśnieniową butlę gazową należy umieścić podczas użytkowania obok grilla, a nie pod nim.
- ✿ Zadbaj o to, aby wąż nie zetknął się z żadnym elementem grilla, który rozgrzewa się podczas użytkowania. Upewnij się, że nie jest on naprężony, zagięty i że nie istnieje ryzyko jego uszkodzenia przez inne przedmioty.
- ✿ Podczas użytkowania nie przechowuj wewnątrz wózka barbecue żadnych ciśnieniowych butli gazowych. Zabrania się wkładania/odkładania ciśnieniowych butli gazowych do urządzenia.

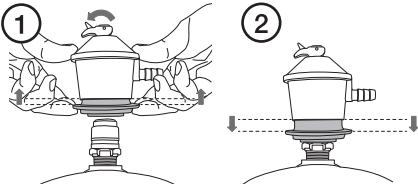
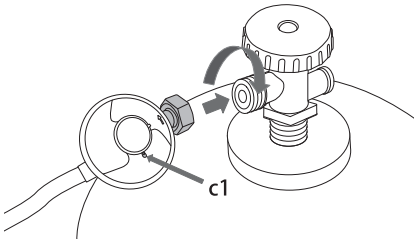
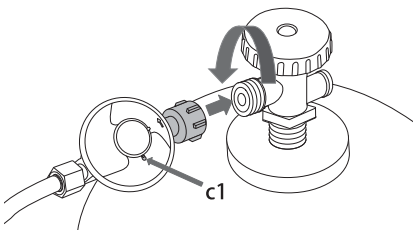
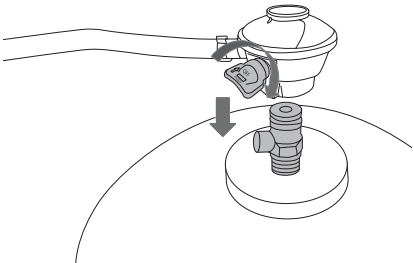
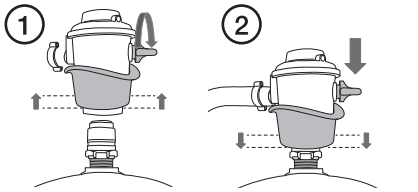
Podłączenie butli ciśnieniowej

⚠ Ważne:

- ✿ Przed rozpoczęciem podłączania butli ciśnieniowej upewnij się, że regulator jest ustawiony w pozycji OFF (Wyłączono).
- ✿ Wygląd regulatorów i sposób ich podłączania różni się w poszczególnych krajach.
- ✿ W poniższej tabeli przedstawiono podłączenie 6 typów regulatorów (A–F).

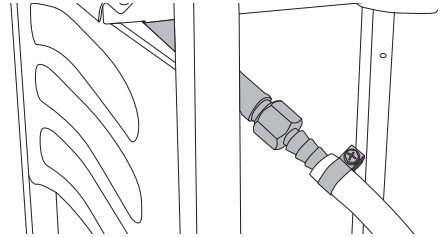
1.

<p>A</p> <ol style="list-style-type: none"> 1. Skontroluj gumową uszczelkę regulatora. W przypadku jej uszkodzenia należy wymienić regulator. 2. Podłącz wąż gazowy do regulatora (jeżeli nie jest jeszcze podłączony) i dokręć zacisk węża. Podłącz regulator do butli gazowej, nakręcając go na złącze zaworu. Regulator przedstawiony na rysunku ma gwint lewoskrętny. 	<p>The diagram consists of two parts. Part 1 shows a top-down view of a gas cylinder with a regulator being inserted into the valve. An arrow points to the regulator's connection point. Part 2 shows a side view of the regulator being tightened onto the cylinder's valve. An arrow points to the tightening action, and a curved arrow indicates the direction of rotation.</p>
--	--

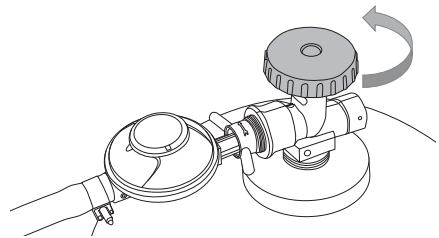
<p>B</p> <ol style="list-style-type: none"> 1. Upewnij się, że regulator ustawiono w pozycji OFF (Wyłączono). Unieś sprężynowy kołnierz zabezpieczający i przymocuj regulator do górnej części butli gazowej. 2. Dociśnij kołnierz zabezpieczający dopóki nie usłyszysz odgłosu zatrzasnięcia. 	
<p>C</p> <p>Podłącz regulator do butli gazowej, obracając nakrętkę zabezpieczającą w kierunku zgodnym do kierunku ruchu wskazówek zegara. Obróć regulator tak, aby otwór wentylacyjny (c1) znajdował się na dole.</p>	
<p>D</p> <p>Podłącz regulator do butli gazowej, obracając nakrętkę zabezpieczającą w kierunku przeciwnym do kierunku ruchu wskazówek zegara. Obróć regulator tak, aby otwór wentylacyjny (c1) znajdował się na dole.</p>	
<p>E</p> <p>Upewnij się, że regulator ustawiono w pozycji OFF (Wyłączono). Dociśnij regulator do zaworu, dopóki nie zablokuje się w swojej pozycji.</p>	
<p>F</p> <ol style="list-style-type: none"> 1. Upewnij się, że regulator ustawiono w pozycji OFF (Wyłączono). Unieś sprężynowy kołnierz zabezpieczający i dociśnij regulator do butli gazowej. 2. Dociśnij kołnierz zabezpieczający w dół, aby zablokować regulator na butli gazowej. 	

- Podłącz butlę gazową do grilla i dokręć zacisk węża.

⚠ Na rysunku przedstawiono podłączenie butli gazowej zgodnie z przepisami szwedzkich norm. W niektórych krajach wąż gazowy ma większą średnicę i jest całkowicie wciśnięty w złącze.



- Otwórz pokrywę i upewnij się, że pokręta gazu są ustawione w pozycji **OFF (Wyłączono)**.
- Otwórz butlę ciśnieniową, obracając pokrętko w kierunku przeciwnym do kierunku ruchu wskazówek zegara.



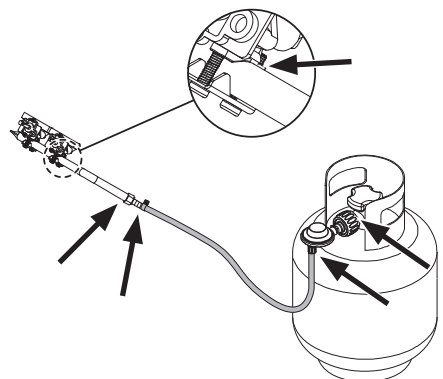
Test szczelności instalacji gazowej

- ☼ Przed użyciem tego grilla po każdym podłączeniu butli gazowej należy przeprowadzić test szczelności instalacji gazowej.
- ☼ Podczas kontroli szczelności nie pal papierosów.
- ☼ Kontrolę szczelności należy przeprowadzić na zewnątrz budynków.
- ☼ Do kontroli szczelności nie wolno używać zapalanej zapałki, zapalniczki ani innego źródła otwartego ognia.

Jak przeprowadzić test szczelności instalacji gazowej:

- Przygotuj roztwór wody z niewielką ilością płynu do mycia naczyń.
- Przy pomocy rozpylacza lub szczoteczki nanieś niewielką ilość roztworu wody mydlanej w miejscach przedstawionych na rysunku.

W przypadku stwierdzenia jakichkolwiek wycieków (jeżeli pojawiają się bąbelki), przed użyciem tego produktu należy je uszczelnić. Jeżeli **nie jesteś pewny, jak używać tego grilla**, przed użyciem produktu skontaktuj się z wykwalifikowanym serwisantem.



Wskazówki zapalania grilla barbecue

1. Przed próbą zapalenia palników otwórz pokrywę grilla barbecue.
2. Obróć wszystkie pokręta w kierunku ruchu wskazówek zegara na pozycję „OFF” (Wyłączone).
3. Podłącz regulator do butli na gaz. Otwórz dopływ gazu („ON”) przy regulatorze. Przy pomocy wody z mydłem stwierdź, czy występują nieszczelności między butlą a regulatorem.
4. Przyciśnij przedni przycisk regulujący i przytrzymaj go, obracając nim w kierunku przeciwnym do ruchu wskazówek zegara na pozycję „HIGH” (Wysoki płomień) (usłyszysz zatrzaśnięcie), aby zapalić lewy palnik. Sprawdź, czy palnik się zapalił. Jeśli nie, powtórz powyższe czynności.
5. Jeśli nawet po ponownej próbie palnik się nie zapalił, odczekaj 5 minut i powtórz krok 4.
6. Zmień ilość ciepła przez obrót regulatora na pozycję High/Low (Wysoki/Niski płomień).
7. Jeśli palnik się nie zapalił. Zapal urządzenie przy pomocy zapalniczki, korzystając z otworu zapalającego na boku urządzenia. Zwróć się do dostawcy gazu o naprawę zapalania.
8. Aby zapalić pozostałe palniki w kolejności od lewej do prawej, powtórz krok 4.
9. Aby wyłączyć („OFF”) grill barbecue, obróć zawór butli ciśnieniowej lub przelącznik regulatora na pozycję „OFF” (Wyłączone), a następnie obróć regulator na urządzeniu w kierunku ruchu wskazówek zegara na pozycję „OFF” (Wyłączone).

UWAGA!

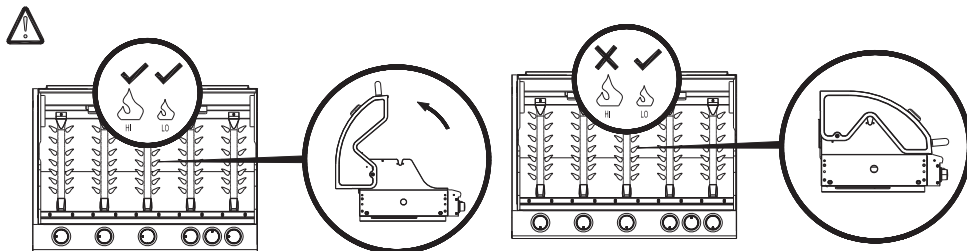
Jeśli nie uda się zapalić palnika, obróć regulator (w kierunku ruchu wskazówek zegara) na pozycję wyłączone oraz zamknij zawór butli ciśnieniowej. Przed próbą ponownego zapalenia przy pomocy sekwencji zapalania, odczekaj pięć minut.

Przed pierwszym gotowaniem używaj grill barbecue przez około 15 minut z zamkniętą pokrywą i ustawieniem gazu na LOW (Niski płomień). W ten sposób przeprowadzisz „czyszczenie termiczne” części wewnętrznych i usuniesz zapach z powierzchni pokrytych warstwą środków chemicznych.

PO KAŻDYM użyciu grill barbecue wyczyść. NIE UŻYWAJ środków czyszczących z efektem szorującym ani łatwopalnych środków, ponieważ mogłyby dojść do uszkodzenia części tego produktu i wybuchu pożaru. Do czyszczenia użyj ciepłej wody z mydłem.

UWAGA: Dostępne części mogą być bardzo gorące. Zadbaj, aby małe dzieci znajdowały się w wystarczającej odległości od gorącego urządzenia (także podczas stygnięcia!).

Zwłaszcza podczas manipulowania gorącymi częściami zaleca się używanie rękawic ochronnych (np. rękawic kuchennych).



O czym należy pamiętać przed użyciem grilla

- ☼ Ryzyko oparzenia – noś rękawice ochronne.
- ☼ Ustawiaj grill na otwartej przestrzeni. Nigdy nie używaj go w zamkniętej przestrzeni lub pod dachem.
- ☼ Zachowaj bezpieczną odległość dzieci i zwierząt domowych od grilla.
- ☼ Nie pozostawiaj grilla bez nadzoru podczas pracy.
- ☼ Podczas używania grilla pokrywa nie może być zamknięta dłużej niż przez 5 minut, w przeciwnym razie istnieje ryzyko uszkodzenia i odparwienia.

Czyszczenie i konserwacja

- ☼ Poczekaj, aż grill całkowicie wystygnie i oczyść zewnętrzne powierzchnie wilgotną ściereczką. Używaj wyłącznie delikatnych środków czyszczących; w żadnym przypadku nie stosuj rozpuszczalników lub żrących środków chemicznych.
- ☼ Regularnie kontroluj stan węża gazowego wyginając go. W przypadku stwierdzenia jakichkolwiek pęknięć, wymień wąż przed kolejnym użyciem grilla.
- ☼ W razie potrzeby dokładnie wyczyść grill:
 - Zdejmij regulator z butli gazowej na gaz i odłóż go na bok.
 - Wyjmij ruszt do pieczenia i ostrożnie umyj go ręcznie.
 - Wyjmij płytę osłony termicznej nad palnikiem i usuń ją w razie potrzeby. Jeżeli zablokowane są wyloty gazu, przy pomocy odpowiedniego przedmiotu można ostrożnie usunąć zanieczyszczenia lub resztki.
 - Ostrożnie zeskrab pozostałości tłuszczu z wnętrza grilla przy pomocy plastikowego lub drewnianego narzędzia.
 - Możesz również ostrożnie umyć i wysuszyć wnętrze grilla wodą i delikatnym środkiem czyszczącym. Nie dopuść, aby do węża gazowego i palnika dostała się woda.
 - W razie potrzeby zdejmij i umyj miskę używaną do wychwytywania tłuszczu.

Przechowywanie

- ☼ Podczas sezonu grillowego należy przemieścić nieużywany grill na zewnątrz budynku, w miejsce chronione przed wiatrem.
- ☼ Przed przeniesieniem grilla do wnętrza budynku na okres zimowy, należy oczyścić go zgodnie z instrukcją w części Czyszczenie i konserwacja.
- ☼ Usuń butlę gazową i zadбай o to, aby wąż gazowy nie był zagięty lub uszkodzony przez inne przedmioty.
- ☼ Grill barbecue należy przechowywać w suchym, niezapyłonym środowisku, poza zasięgiem dzieci.

SERWIS

Kompetentna i uprawniona osoba powinna co roku przeprowadzić serwis gazowego grilla barbecue.

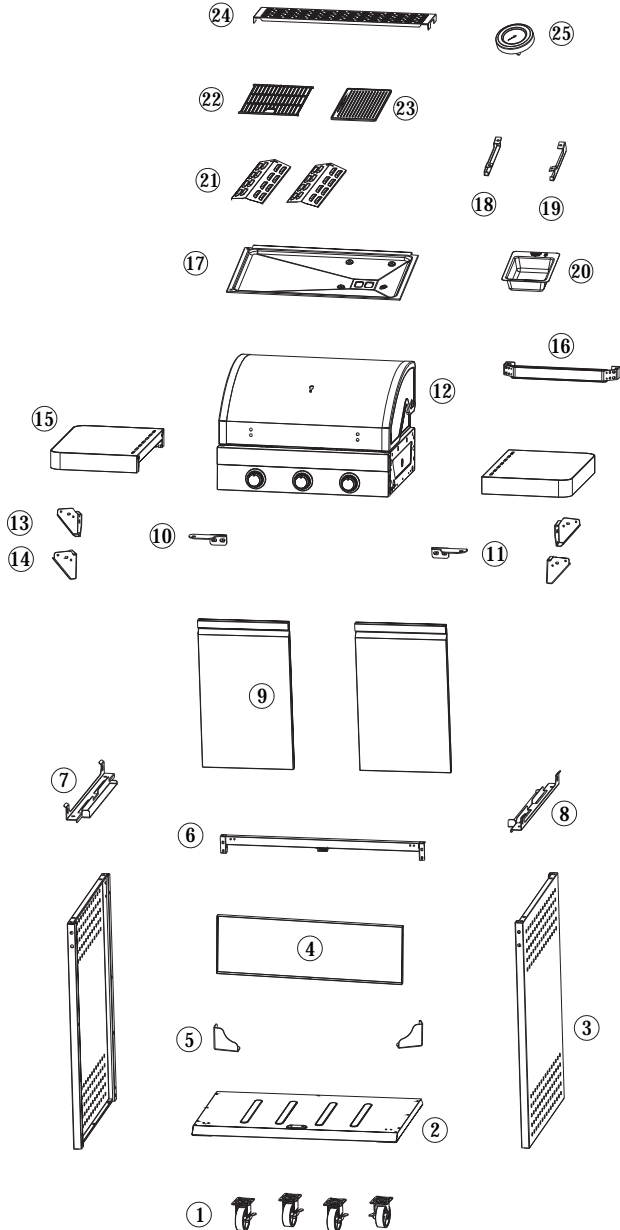
ROZWIĄZYWANIE PROBLEMÓW







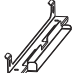







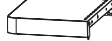



PROBLEM	PRAWDOPODOBNA PRZYCZYNA	ROZWIĄZANIE
Nie da się zapalić palników przy pomocy systemu rozpalania	<ol style="list-style-type: none"> 1. Butla gazowa na LP jest pusta 2. Uszkodzony regulator 3. Zanieczyszczony palnik 4. Zanieczyszczone dysze gazu lub wąż gazu 5. Przewodnik elektrody na elektrodzie lub jednostce zapalającej jest poluzowany lub odłączony 6. Elektroda lub przewodnik są uszkodzone. Uszkodzony zapalnik przyciskowy 	<ol style="list-style-type: none"> 1. Wymień butlę gazową na pełną 2. Skontroluj lub wymień regulator 3. Wyczyść palnik 4. Wyczyść dysze i wąż gazowy 5. Podłącz przewodnik ponownie 6. Wymień elektrodę i przewodnik. Wymień zapalnik
Nie można zapalić palnika zapalką	<ol style="list-style-type: none"> 1. Butla gazowa na LP jest pusta 2. Uszkodzony regulator 3. Zanieczyszczony palnik 4. Zanieczyszczone dysze gazu lub wąż gazu 	<ol style="list-style-type: none"> 1. Wymień butlę gazową na pełną 2. Skontroluj lub wymień regulator 3. Wyczyść palnik 4. Wyczyść dysze i wąż gazowy
Niski płomień lub powrót płomienia (ogień w rurce palnika – może wystąpić słyszalne syczenie lub szum)	<ol style="list-style-type: none"> 1. Butla gazowa na LP jest za mała 2. Zanieczyszczony palnik 3. Zanieczyszczone dysze gazu lub wąż gazu 4. Wietrzna pogoda 	<ol style="list-style-type: none"> 1. Użyj większej butli gazowej 2. Wyczyść palnik 3. Wyczyść dysze i wąż gazowy 4. Używaj grilla w lepiej osłoniętym miejscu




















Dane techniczne

PL	
Gaz (LPG)	I3+ (28-30/37) G30 Butan 28-30 mbar G31 Propan 37 mbar
Ciśnienie i rodzaj gazu	Butan 28-30 mbar / Propan 37 mbar
Moc	3 x 3kW = 9 kW
Zużycie energii	Butan: 654 (g/h) a Propan: 642 (g/h)
Regulator	Używany regulator musi być zatwierdzony CE
Wąż gazowy	Używany wąż gazowy musi być zatwierdzony CE (maks. długość 1,5 m)
Rozpalanie	Zintegrowane rozpalanie
Wymiary grilla	60 x 42 cm
Wymiary	122 x 57 x 112 cm

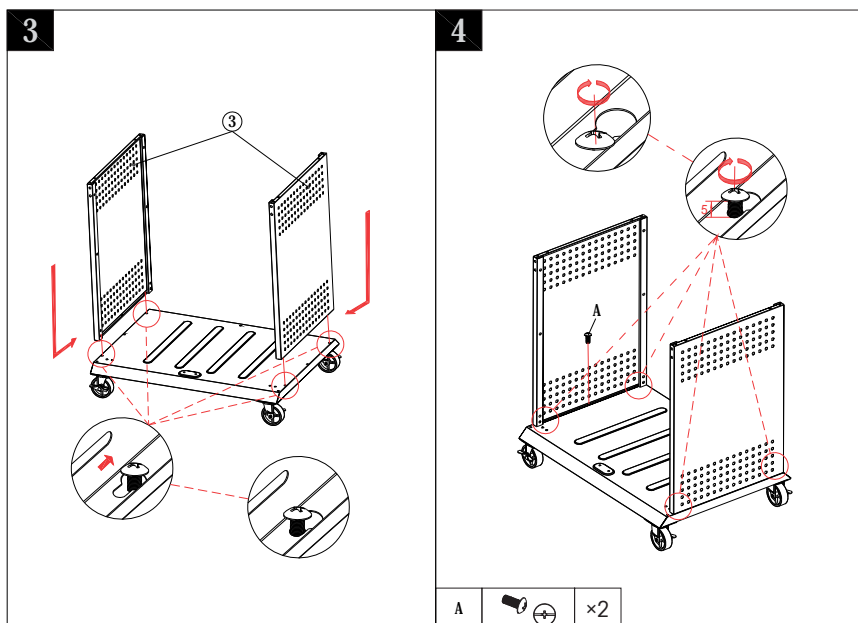
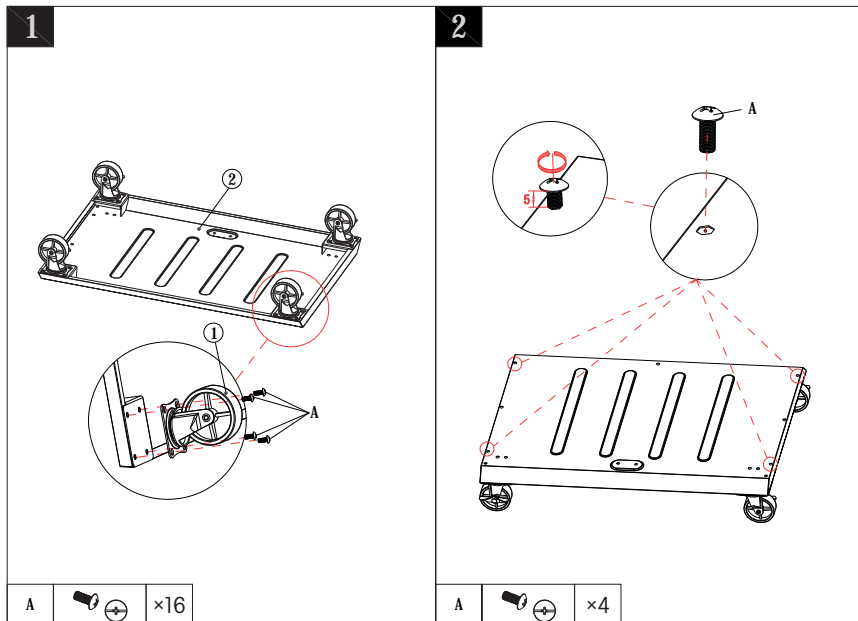
3. SCHEMAT CZĘŚCI DLA FZG 3006

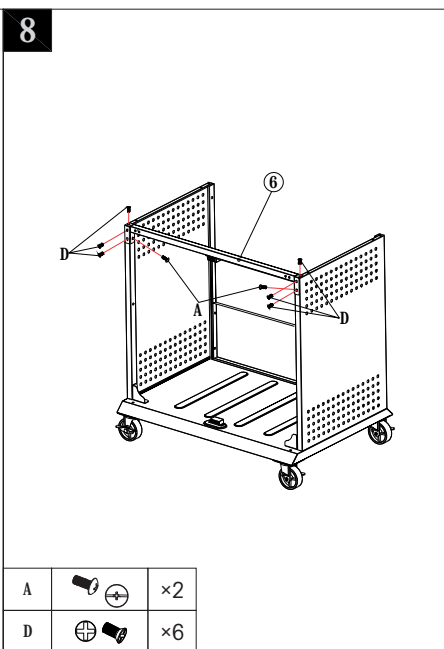
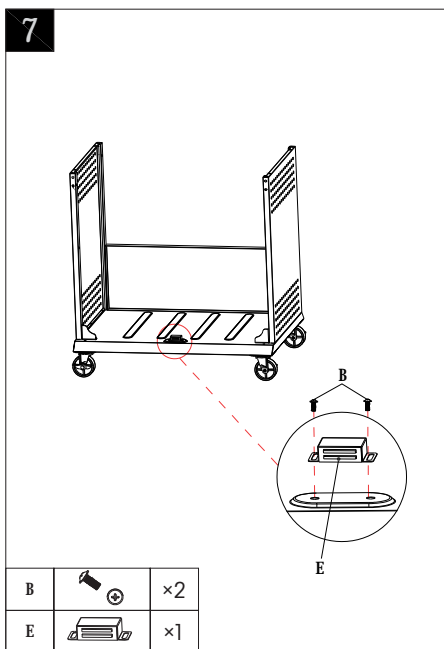
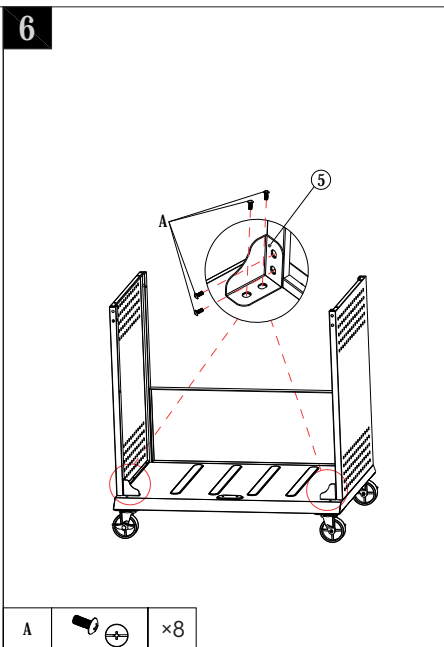
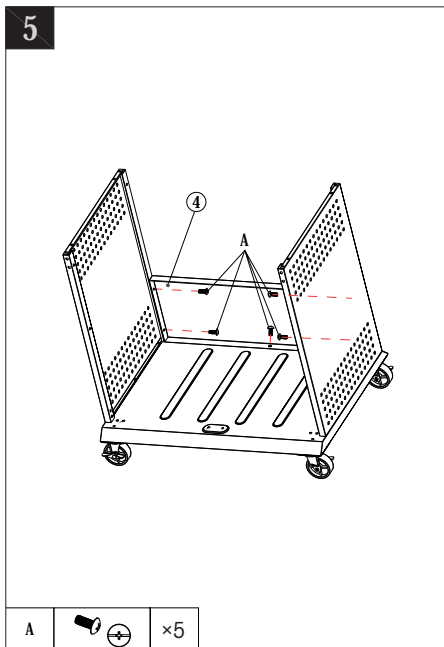


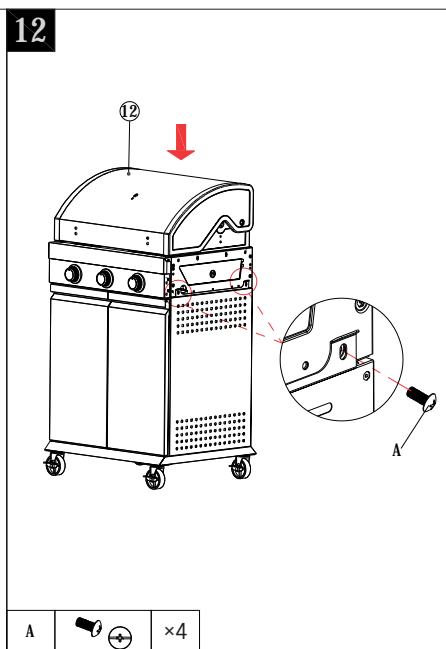
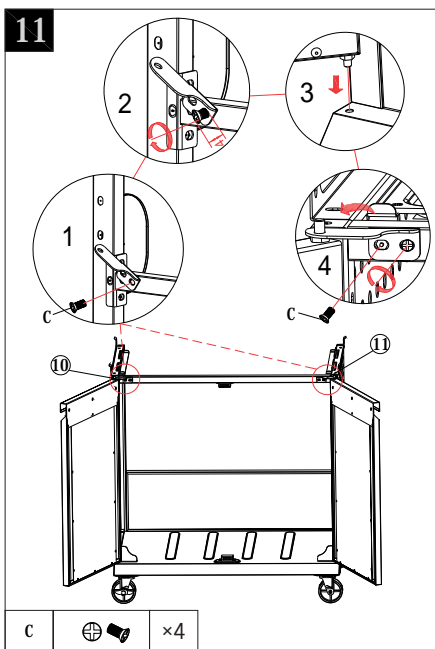
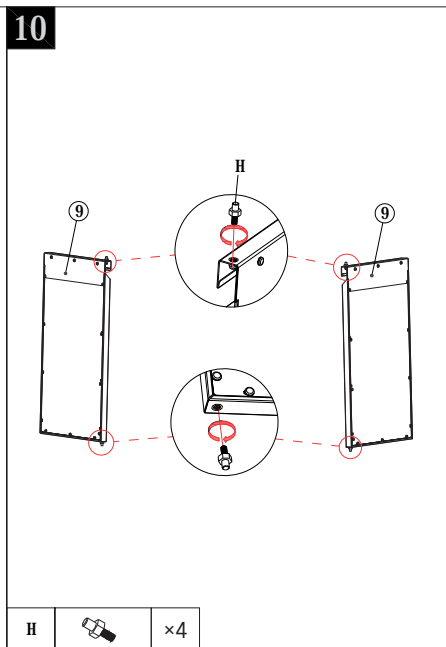
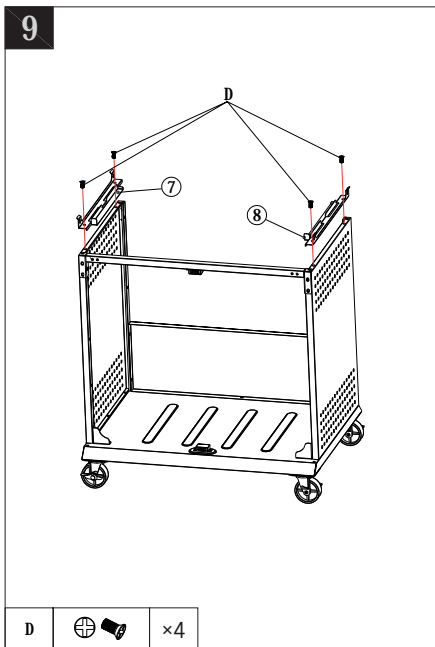
Nr.	Część	Ilość
1		× 4
2		× 1
3		× 2
4		× 1
5		× 2
6		× 1
7		× 1 (L)
8		× 1 (R)
9		× 2
10		× 1 (L)
11		× 1 (R)
12		× 1
13		× 2 (B)
14		× 2 (F)
15		× 2
16		× 1
17		× 1
18		× 1 (L)

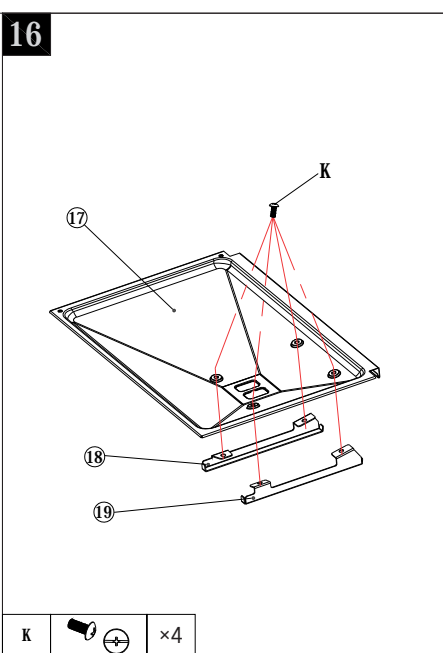
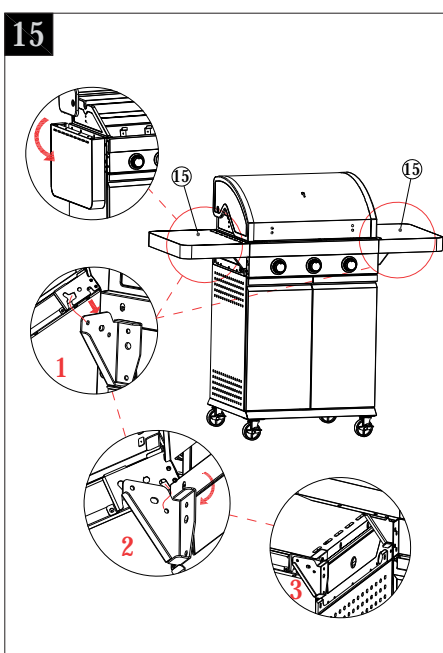
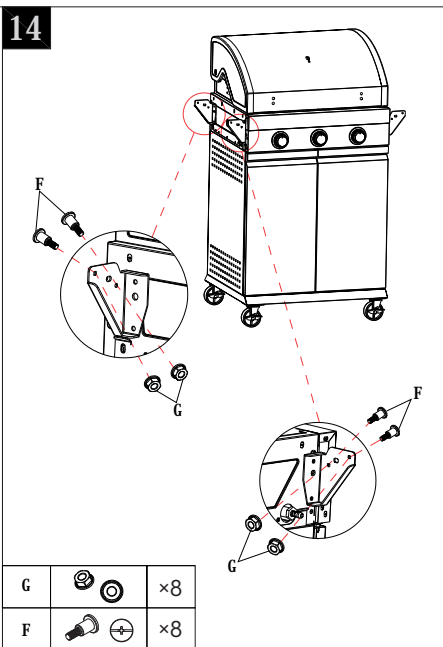
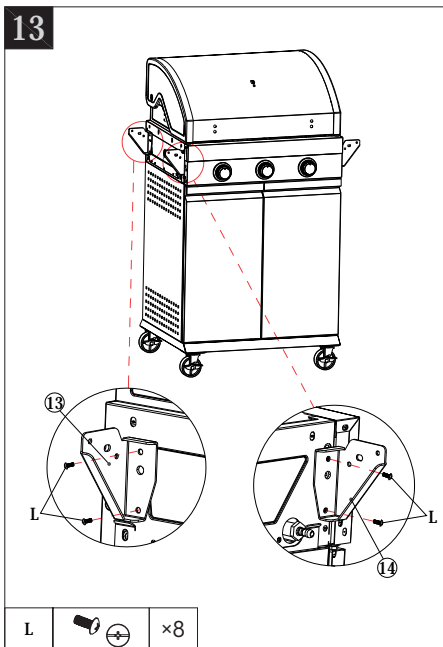
Nr.	Część	Ilość
19		× 1 (R)
20		× 1
21		× 2
22		× 1
23		× 1
24		× 1
25		× 1
A	M5-10	 × 45
B	M4-8	 × 2
C	M4-10	 × 4
D	M5-12	 × 10
E		 × 1
F	M6-22	 × 8
G	M6	 × 8
H		 × 4
I	M6-15	 × 4
J	Φ 28-2	 × 1
K	M5-10	 × 4 (SS)
L	M5-16	 × 8

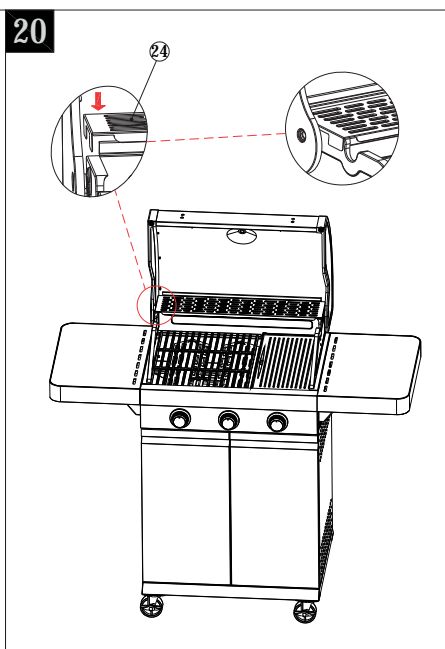
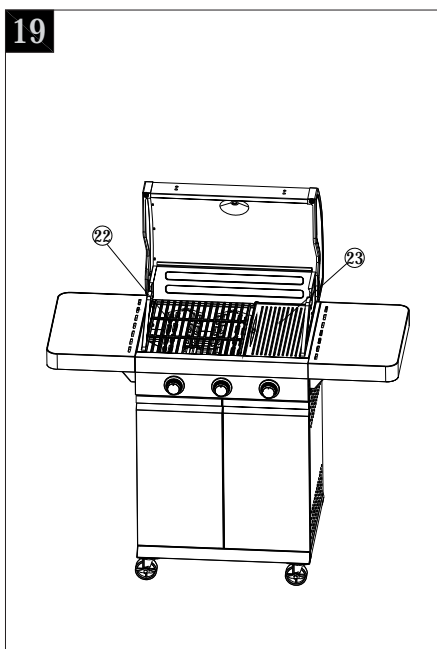
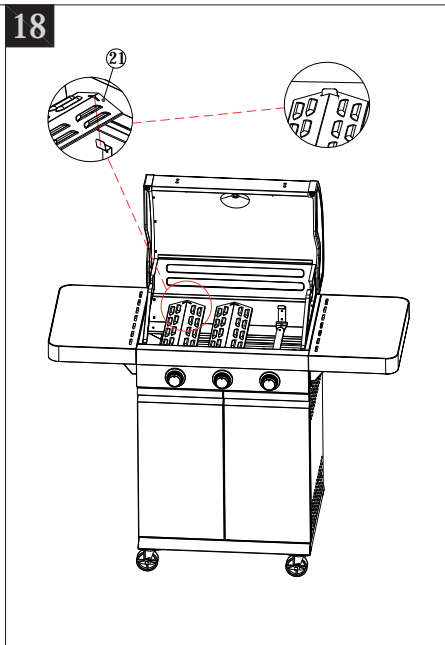
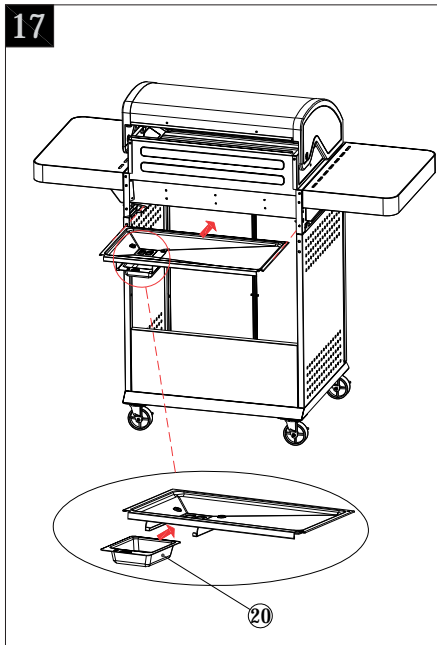
4. MONTAŻ



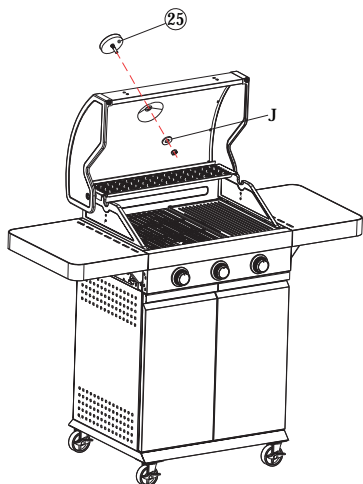






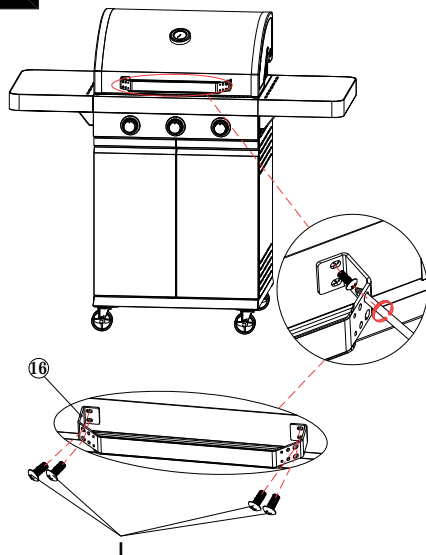


21



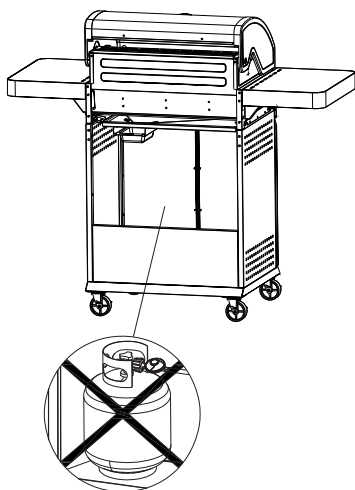
J   x1

22



1  x4

23



5. OCHRONA ŚRODOWISKA NATURALNEGO

- ⚠ Ostrzeżenie!** Nie wyrzucaj urządzeń elektrycznych i elektronicznych do zwykłego, niesegregowanego odpadu komunalnego. Skorzystaj z kontenerów do segregacji śmieci. Szczegółowe informacje dotyczące recyklingu tego urządzenia elektrycznego uzyskasz u autoryzowanego sprzedawcy lub w punkcie recyklingu.

6. UTYLIZACJA

WSKAZÓWKI I INFORMACJE DOTYCZĄCE UTYLIZACJI ZUŻYTYCH OPAKOWAŃ

Zużyte opakowanie przekazaj do wyznaczonego miejsca zbiórki odpadów w miejscu zamieszkania.



To urządzenie wraz z wyposażeniem wykonano z różnych materiałów, np. z metalu i tworzyw sztucznych.

Uszkodzone elementy należy przekazać do punktu recyklingu. Pytania należy kierować do właściwego organu lokalnego.



Produkt spełnia wszystkie podstawowe wymagania wszystkich właściwych dyrektyw UE.

Tekst, design i dane techniczne mogą się zmienić bez uprzedzenia i zastrzegamy sobie prawo do dokonania tych zmian.

7. DANE TECHNICZNE

<p>Výrobce / Manufacturer / Výrobca Producent / Gyártó</p>	<p>Ningbo Huige Outdoor Products Co., Ltd No.333Tianhai Road,Binhai New Area Economic Development Zone, Fenghua District, Ningbo City, Zhejiang Province, China</p>		<p>Series</p>	<p>12/2023</p>
<p>Dovozce / Importer /Dowozca/ Importőr</p>	<p>FAST ČR, a.s., U Samitovu 1621, 251 01 Říčany,Czech Republic www.fieldmann.com</p>		<p>CE 0063-23</p>	<p>0063GN7292</p>
<p>Název výrobku/Product name Názov výrobku/Nazwa produktu Terméknév</p>	<p>Plynový gril / Gas grill / Plynový gril Grill gazowy / Gázűztűhely</p>	<p>Modelové označení / Model number Modelové označenie / Numer modelu Tipusszám</p>	<p>FZG-3006 Plynový gril FZG-3006 Gas grill FZG-3006 Plynový gril FZG-3006 Grill gazowy FZG-3006 Gáz-űztű</p>	
<p>Kategorie plynu / Gas category Kategoria plynu / Kategoria gazu Gáz kategória</p>	<p>I3+(28-30/37) <input checked="" type="checkbox"/></p>	<p>I3B/P(30)</p>	<p>I3P(37)</p>	<p>I3P(50)</p>
<p>Druh plynu a tlaku / Type of gas and pressure / Druh plynu a tlaku Rodzaj gazu i ciśnienie / Kategoria gazu</p>	<p>Butane at 28-30 mbar and Propane at 37 mbar</p>		<p>Propane at 37 mbar</p>	<p>Propane at 50 mbar</p>
<p>Stát / Country / stáť Kraj / Ország</p>	<p>BE, CH, CY, CZ, ES, FR, GB, GR, IE, IT, LT, LU, LV, PT, SI, SK, TR</p>	<p>BG, CY, CZ, DK, EE, FI, GB, HR, HU, IT, LT, LU, MT, NL, NO, RO, SE, SI, SK, TR</p>	<p>BE, CZ, ES, GB, IE, PT, SI</p>	<p>CZ, DE, ES, NL</p>
<p>Ø vestřikovací trysky do hl.hořáku Ø injection nozzles main burner Ø vřstřekovacia tryska do hl. horáka Ø główny dysza wtryskiwaczy Ø befecskendező tűvőkák fő égő</p>	<p>0.82mm</p>	<p>0.82mm</p>	<p>0.82mm</p>	<p>0.72mm</p>
<p>Celkový tepelný výkon Total heat output Celkový tepelný výkon Calkowita moc cieplna Teljes hőfejlesztmény</p>	<p>ΣQ_{ik}: 9 kW / Butan: 654 (g/h) a Propan: 642 (g/h) (3kW x 3) ΣQ_{ik}: 9 kW / Butane: 654 (g/h) and Propane: 642 (g/h) (3kW x 3) ΣQ_{ik}: 9 kW / bután: 654 (g/h) a propán: 642 (g/h) (3kW x 3) ΣQ_{ik}: 9 kW / Butan: 654 (g/h) i propan: 642 (g/h) (3kW x 3) ΣQ_{ik}: 9 kW / bután: 654 (g/h) és propán: 642 (g/h) (3kW x 3)</p>			
<p>FIELDMANN Home & Garden Performance</p>	<p>Vyrobene v Číně / Made in China / Wyrobiono w Chinach / Kínában készült</p>			<p>FIELDMANN Home & Garden Performance</p>



FIELDMANN[®]
Home & Garden Performance

Model /Modell /Modelis:

**Záruční list / Záručný list /
Warranty Certificate / Jótállási jegy /
Garantijos taisyklės / Karta Gwarancyjna**

Výrobní číslo
Výrobné číslo
Serial No.
Szériaszám
Serijos Nr.
Numer seryjny

Razítka a podpis prodejce
Pečiatka a podpis predajcu
Dealer's stamp
A kereskedő bélyegzője
Pardavėjo antspaudas
Pieczęćka i podpis sklepu

Datum prodeje
Dátum predaja
Date of purchase
A vásárlás dátuma
Pardavimo data
Data zakupu

Záruční podmínky

Prodávající poskytuje kupujícímu na výrobek záruku v trvání 24 měsíců od převzetí výrobku kupujícím. Záruka se poskytuje za dle uvedených podmínek. Záruka se vztahuje pouze na nové spotřební zboží prodané spotřebiteli pro běžné domácí použití. Práva z odpovědnosti za vady (reklamaci) může kupující uplatnit buď u prodávajícího, u kterého byl výrobek zakoupen nebo v níže uvedeném autorizovaném servise. Kupující je povinen reklamaci uplatnit bez zbytečného odkladu, aby nedocházelo ke zhoršení vady, nejpozději však do konce záruční doby. Kupující je povinen poskytnout při reklamaci součinnost nutnou pro ověření existence reklamované vady. Do reklamačního řízení se přijímá pouze kompletní a z důvodů dodržení hygienických předpisů neznečištěný výrobek. V případě oprávněné reklamace se záruční doba prodlužuje o dobu od okamžiku uplatnění reklamace do okamžiku převzetí opraveného výrobku kupujícím nebo okamžiku, kdy je kupující po skončení opravy povinen výrobek převzít. Kupující je povinen prokázat svá práva reklamovat (doklad o zakoupení výrobku, záruční list, doklad o uvedení výrobku do provozu...).

Záruka se nevztahuje zejména na:

■ vady, na které byla poskytnuta sleva ■ opotřebení a poškození vzniklé běžným užíváním výrobku ■ poškození výrobku v důsledku neodborné či nesprávné instalace, použití výrobku v rozporu s návodem k použití, platnými právními předpisy a obecně známými a obvyklými způsoby používání, v důsledku použití výrobku k jinému účelu, než ke kterému je určen ■ poškození výrobku v důsledku zanedbané nebo nesprávné údržby ■ poškození výrobku způsobené jeho znečištěním, nehodou a zásahem vyšší moci (živelná událost, požár, vniknutí vody...) ■ vady funkčnosti výrobku způsobené nevhodnou kvalitou signálů, rušivým elektromagnetickým polem apod. ■ mechanické poškození výrobku (např. ulomení knoflíku, pád...) ■ poškození způsobené použitím nevhodných médií, náplní, spotřebního materiálu (baterie) nebo nevhodnými provozními podmínkami (např. vysoké okolní teploty, vysoká vlhkost prostředí, otrasy...) ■ poškození, úpravu nebo jiný zásah do výrobku provedený neoprávněnou nebo neautorizovanou osobou (servisem) ■ případy, kdy kupující při reklamaci neprokáže oprávněnost svých práv (kdy a kde reklamovaný výrobek zakoupil) ■ případy, kdy se údaje v předložených dokladech liší od údajů uvedených na výrobku ■ případy, kdy reklamovaný výrobek nelze ztotožnit s výrobkem uvedeným v dokladech, kterými kupující prokazuje svá ■ práva reklamovat (např. poškození výrobního čísla nebo záruční plombu přístroje, prepisované údaje v dokladech...)

Záruční podmínky

Prodávající poskytuje kupujícímu na výrobek 24 mesiacov záruku od jeho prevzatia kupujúcim. Záruka sa poskytuje ďalej za nižšie uvedených podmienok. Záruka sa vztahuje iba na spotrebný tovar predaný spotrebiteľovi na bežné domáce použitie. Práva zo zodpovednosti za chyby (reklamácie) môže kupujúci uplatniť buď u predávajúceho, u ktorého bol výrobok zakúpený alebo v nižšie uvedenom autorizovanom servise. Kupujúci je povinný reklamáciu uplatniť bez zbytočného odkladu, aby nedochádzalo ku zhoršeniu chyby, najneskôr však do konca záručnej doby. Kupujúci je povinný pri reklámii spolupracovať pri overení existencie reklamovanej chyby. Do reklamačného procesu sa prijíma iba kompletná a z dôvodu dodržania hygienických predpisov neznečistený výrobok. V prípade oprávnenej reklamácie sa záručná doba predlžuje o dobu od okamžiku uplatnenia reklamácie do okamžiku prevzatia opraveného výrobku kupujúcim, kedy je kupujúci po skončení opravy povinný výrobok prevziať. Kupujúci je povinný preukázať svoje práva reklamovať (doklad o zakúpení výrobku, záručný list, doklad o uvedení výrobku do prevádzky...).

Záruka sa nevztahuje na:

■ chyby, na ktoré boli poskytnuté zľavy ■ opotrebenia a poškodenia vzniknuté bežným užívaním výrobku ■ poškodenie výrobku v dôsledku neodbornej či nesprávnej inštalácie, použitia výrobku v rozpore s návodom na použitie s platnými právnymi predpismi a všeobecne známymi a obvyklými spôsobmi používania, v dôsledku použitia výrobku za iným účelom, než na ktorý je určený ■ poškodenie výrobku v dôsledku zanedbanej údržby ■ poškodenie výrobku spôsobené jeho znečistením, nehodou a zásahom vyššej moci (živelná udalosť, požiar, vniknutie vody...) ■ chyby funkčnosti výrobku spôsobené nevhodnou kvalitou signálů, rušivým elektromagnetickým polom a pod. ■ mechanické poškodenie výrobku (napr. zlomenie gombíka, pád...) ■ poškodenie spôsobené použitím nevhodných médií, náplní, spotrebného materiálu (batérie) alebo nevhodnými prevádzkovými podmienkami (napr. vysoké teploty v okolí, vysoká vlhkosť prostredia, otrasy...) ■ poškodenie, úpravu alebo iný zásah do výrobku spôsobený neoprávnenou alebo neautorizovanou osobou (servisom) prípady, keď kupujúci pri reklámácii nepreukáže oprávnenosť svojich práv (kedy a kde reklamovaný výrobok zakúpil) ■ prípady, keď sa údaje v predložených dokladoch líšia od údajov uvedených na výrobku ■ prípady, keď reklamovaný výrobek sa nestotožňuje s výrobkom uvedeným v dokladoch, ktorými kupujúci preukazuje svoje práva reklamovať (napr. poškodenie výrobného čísla alebo záručnej plombu prístroja, prepisované údaje v dokladoch...)

Conditions of guarantee

This product is warranted for the period of 24 months from the date of purchase to the end-user. Warranty is limited to the following conditions. Warranty is referred only to the customer goods using for common domestic use. The claim for service can be applied either at dealer's shop where the product was bought, or at below mentioned authorized service shops. The end-user is obligated to set up a claim immediately when the defects appeared but only till the end of warranty period. The end-user is obligated to cooperate to certify the claiming defects. Only completed and clean (according to hygienic standards) product will be accepted. In case of eligible warranty claim the warranty period will be prolonged by the period from the date of claim application till the date of taking over the product by end-user, or the date the end-user is obligated to take it over. To obtain the service under this warranty, end-user is obligated to certify his claim with duly completed following documents: receipt, certificate of warranty, certificate of installation...

This warranty is void especially if apply as follows:

■ Defects which were put on sale. ■ Wear-out or damage caused by common use. ■ The product was damaged by unprofessional or wrong installation, used in contrary to the applicable instruction manual, used in contrary to legal enactment and common process of use or used for another purpose which has been designed for. ■ The product was damaged by uncared-for or insufficient maintenance. ■ The product was damaged by dirt, accident of force majeure (natural disaster, fire, flood, ...). ■ Defects on functionality caused by low quality of signal, electromagnetic field interference etc. ■ The product was mechanically damaged (e.g. broken button, fall...). ■ Damage caused by use of unsuitable media, fillings, expendable supplies (batteries) or by unsuitable working conditions (e.g. high temperatures, high humidity, quakes...). ■ Repair, modification or other failure action to the product by unauthorized person. ■ End-user did not prove enough his right to claim (time and place of purchase). ■ Data on presented documents differs from data on products. ■ Cases when the claiming product can not be identified according to the presented documents (e.g. the serial number or the warranty seal has been damaged).

Autorizovaná servisní střediska / Autorizované servisné strediská / Authorized service centres

FAST ČR, a. s.
Černokostelecká 1621
CZ 251 01 Říčany
Česká republika
Tel.: +420/ 323 204 120
Fax: +420/ 323 204 121
servis.praha@fastcr.cz
www.fastcr.cz

FAST ČR, a. s.
Cejl 31
CZ 602 00 Brno
Česká republika
Tel.: +420/ 531 010 295
Fax: +420/ 531 010 296
servis.brno@fastcr.cz
www.fastcr.cz

Fast Plus, spol. s r. o.
Na Pántoch 18
SK 831 06 Bratislava
Slovenská republika
Tel.: +421/ 249 105 811
Fax: +421/ 249 105 810
fastplus@fastplus.sk
www.fastplus.sk

Jótállási jegy

A termék gyártója: **FAST ČR, a.s.** (Černokostelec-ká1621, Říčany u Prahy 251 01, Csehország)

A **FAST Hungary Kft.** (2310, Szigetszentmiklós, Kántor u. 10) mint a termék magyarországi importőre jótállási jegyen feltüntetett típusú és egyetemes számú készülékre jótállást biztosít a fogyasztók számára az alábbi feltételek szerint:

A FAST Hungary Kft. a termékre a fogyasztó részére történő átadástól (vásárlástól), illetve ha az üzembe helyezést a terméket értékesítő vállalkozás vagy annak megbízottja végzi, az üzembe helyezéstől számított **24 hónapig** tartó időtartamra vállal jótállást. A termék **alkotórészeire és tartozékaira** (pl. akkumulátor) a jótállási idő a termék átadásától számított **12 hónap**.

A jótállási igény a jótállási jeggyel, a vásárlástól (üzembe helyezéstől) számított 1 évig a terméket értékesítő vállalkozásnál, illetve a jótállási jegyen feltüntetett hivatalos szerviznél közvetlenül is, míg a 13. hónaptól a 24. hónapig kizárólag a hivatalos szerviznél érvényesíthető.

Jótállási jegy hiányában a fogyasztói szerződés megkötését bizonyítottan kell tekinteni, ha a fogyasztó bemutatja a termék ellenértékének megfizetését hitelek említi igazoló bizonylatot. Mindezek érdekében kérjük tisztelt Vásárlóinkat, hogy őrizzék meg a fizetési bizonylatot is. A jótállási időn belüli meghibásodás esetén a fogyasztó - választása szerint - (i) a hibás termék díjmentes kijavítását vagy kicserélését követelheti, kivéve, ha a választott igény teljesítése lehetetlen, vagy ha az a jótállásra kötelezettnek a fogyasztó által érvényesíteni kívánt másik igény teljesítésével összehasonlítva aránytalan többletköltséget eredményezne, vagy (ii) ha a kötelezett a kijavítást, illetve kicserélést nem vállalata, vagy e kötelezettségének megfelelő határidőn belül, a fogyasztó érdekeit kímélve nem tud eleget tenni, vagy ha a fogyasztónak a kijavításához vagy kicseréléséhez fűződő érdeke megszűnt, akkor a fogyasztó megfelelő árleszállítást igényelhet, vagy a hibát a kötelezett költségére maga kijavíthatja vagy mással kijavíttathatja vagy elállhat a szerződéstől. Jelentéktelen hiba miatt elállásnak nincs helye. A fogyasztó a választott jogáról másira térhet át. Az áttéréssel okozott költséget köteles a jótállásra kötelezettnek megfizetni, kivéve, ha az áttérésre a jótállásra kötelezett adott okot, vagy az áttérés egyébként indokolt volt. A fogyasztó a hiba felfedezését követően késedelem nélkül, legkésőbb a felfedezéstől számított 2 hónapon belül köteles a hibát közölni. A bejelentés kapcsán kérjük vegye figyelembe, hogy a jótállási igény kizárólag a jótállási

határidőben érvényesíthető! Ugyanakkor, ha a jótállásra kötelezett jótállási kötelezettségének megfelelő határidőben nem tesz eleget, a jótállási igény a fogyasztó erre irányuló felhívásában tűzött megfelelő határidő elteltétől számított 3 hónapon belül akkor is érvényesíthető bíróság előtt, ha a jótállási idő már eltelt. E határidő elmulasztása jogvesztéssel jár. A jótállási kötelezettség teljesítésével kapcsolatosan felmerülő költségek a jótállás kötelezettjét terhelik.

A 151/2003. (IX.22.) Kormányrendeletben meghatározott tartós fogyasztási cikk meghibásodása miatt a vásárlástól (üzembe helyezéstől) számított három munkanapon belül érvényesített csereigény esetén a terméket értékesítő vállalkozás nem hivatkozhat aránytalan többletköltségre, hanem köteles a tartós fogyasztási cikket kicserélni, feltéve, hogy a meghibásodás a rendeltetésszerű használatot akadályozza. Kijavítás esetén a fogyasztási cikkbe csak új alkatrészt kerülhet beépítésre. A jótállásra kötelezett törekszik arra, hogy a kijavítás vagy kicserélés 15 napon belül megtörténjen. A rögzített bekötésű, illetve a 10kg-nál súlyosabb, vagy tömegközlekedési eszközön kézi csomagként nem szállítható fogyasztási cikket az üzemeltetés helyén kell megjavítani. Ha a javítás az üzemeltetés helyén nem végezhető el, a le- és felszerelésről, valamint az el- és visszaszállításról a jótállás kötelezettje, vagy – a javítószolgálatnál közvetlenül érvényesített javítási igény esetén – a javítószolgálat gondoskodik.

Nem számít bele a jótállási időbe a javítási időnek az a része, amely alatt a fogyasztó a terméket nem tudja rendeltetésszerűen használni. A jótállási idő a terméknek a kicseréléssel vagy kijavítással érintett részére, valamint a kijavítás következményeként jelentkező hiba tekintetében újból kezdődik.

Nem tartozik jótállás alá a hiba és a jótállásra kötelezett mentesül a jótállási kötelezettség alól, ha bizonyítja, hogy a hiba oka a termék fogyasztó részére való átadását követően keletkezett, így például ha a hibát ■ nem rendeltetésszerű használat, használati útmutató figyelmen kívül hagyása, helytelen szállítás vagy tárolás, leejtés, rongálás, elemi kár, készüléken kívülálló ok (pl. hálozati feszültség megengedettnél nagyobb ingadozása) ■ illetéktelen átalakítás, beavatkozás, nem hivatalos szerviz által végzett szakszerűtlen javítás ■ fogyasztó feladatát képező karbantartási munkák elmulasztása ■ normál, természetes elhasználódásra visszavezethető (pl. elem lemerülése) vagy üzemszerű kopásnak tulajdonítható meghibásodás okozta. A jótállás a fogyasztó jogszabályból eredő jogait, így különösen a Polgári Törvénykönyv szerinti kellekszerződésszerű jogait nem érinti.

Tájékoztatjuk, hogy az értékesítő vállalkozással felmerülő, fogyasztóvédelmi törvényben meghatározott fogyasztói jogvita bíróságon kívüli rendezése érdekében Ön a megyei (fővárosi) kereskedelmi és iparkamarák mellett működő békéltető testület eljárását is kezdeményezheti.

Hivatalos szervíz / Autoryzowna sieć serwisowa

revision 06/2017

Fast Hungary Kft.
2310, Szigetszentmiklós
Kántor u. 10
Hungary
Tel.: + 36/ 23 330 830
Fax: + 36/ 23 330 8274
fasthungary@fasthungary.hu
www.fasthungary.hu

Garantijos taisyklės

Šiam gaminiui suteikiama 24 mėnesių nuo įsigijimo datos garantija. Garantija apsiriboja žemiau pateikiamomis sąlygomis. Garantija skirta tik gaminiams, skirtiems buitiniam naudojimui. Dėl garantinio remonto priekšas gali kreiptis į pardavėjo parduotuvę, kurioje gaminį pirkė, arba į nurodytus įgaliotus techninės priežiūros centrus. Galutinis naudotojas įsipareigoja pateikti pretenziją nedelsiant po defekto atsiradimo, tačiau tik iki garantijos galiojimo periodo pabaigos. Galutinis naudotojas įsipareigoja bendradarbiauti patvirtinant gaminio defektus, dėl kurių pateikia pretenziją. Priimtas bus tik pilnai sukomplektuotas ir švarus (pagal higienos standartus) gaminys. Jei pretenzija dėl garantinio remonto bus pagrįsta, gaminio garantijos galiojimo periodas bus prailgintas atitinkamai periodu nuo pretenzijos pateikimo datos iki galutinio naudotojas pasiumis sutaisyta gaminį arba iki datos, kada galutinis naudotojas turėtų pasiimti sutaisyta gaminį. Norėdamas gauti garantinio remonto paslaugas, galutinis naudotojas turi patvirtinti pretenziją pilnai užpildytas sekančiais dokumentais: pirkimo kvitu, garantiniu talonu, instaliavimo sertifikatu. . .

Garantija netaikoma: ■ Nukainotoms (brokuotoms) prekėms. ■ Įprastinai susidėvintiems gaminiams dalims ■ Gedimams, atsiradusiems neprofesionaliai ar neteisingai gaminį instaliavus, nesilaikant gaminio naudojimo instrukcijų, naudojant gaminį ne pagal įstatymų numatytus standartus ar įprastinius tokio tipo gaminių naudojimo procesus, naudojant gaminį kitai paskirčiai nei numatyta. ■ Gedimams, atsiradusiems dėl netinkamos ar nepakankamos gaminio priežiūros. ■ Gedimams, atsiradusiems dėl purvo, nenugaliotų žėgos aplinkybių (stichinių nelaimių, gaisro, potvynio, . . .) ■ Gedimams, atsiradusiems dėl prastos kokybės signalo, elektromagnetinio lauko trikdžių ir kt. ■ Radus mechaninių pažeidimų (pvz. sulaužyti mygtukai, kritimo požymiai. . .) ■ Gedimams, atsiradusiems naudojant gaminį su netinkamomis laikmenomis, jungiant prie netinkamų tinklų, dedant į gaminį netinkamus maitinimo šaltinius (baterijas) ar dėl bet kokių kitų netinkamų naudojimo sąlygų (pvz. aukštos temperatūros, didelės drėgmės, žemės drebėjimų. . .) ■ Nustačius, kad gaminys taisytas, modifikuotas ar ardytas neįgaliotai tai daryti asmenų. ■ Jei galutinis naudotojas neturi visų reikalingų dokumentų, įrodančių jo teisę į garantinį remontą (pvz. dokumento, kur būtų nurodytas gaminio įsigijimo laikas ir vieta). ■ Jei data pateiktuose dokumentuose skiriasi nuo datos ant gaminio.

Warunki gwarancji

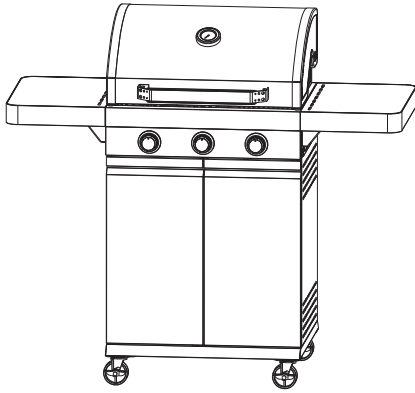
Produkt objęty jest 24 – miesięczną gwarancją, począwszy od daty zakupu przez klienta. Gwarancja jest ograniczona tylko do przedstawionych dalej warunków. Gwarancja obejmuje tylko produkty zakupione w Polsce i jest ważna tylko na terytorium Rzeczypospolitej Polskiej. Gwarancja obejmuje tylko produkty funkcjonujące w warunkach gospodarstwa domowego (nie dotyczy produktów oznaczonych jako „Profesjonal”). Zgłoszenia gwarancyjne można dokonać w autoryzowanej sieci serwisowej lub w sklepie, gdzie produkt został nabyty. Użytkownik jest zobowiązany zgłosić usterkę niezwłocznie po jej wykryciu, a najpóźniej w ostatnim dniu obowiązywania okresu gwarancyjnego. Użytkownik jest zobowiązany do przedstawienia i udokumentowania usterki. Tylko kompletne i czyste produkty (zgodnie ze standardami higienicznymi) będą przyjmowane do naprawy. Usterki będą usuwane przez autoryzowany punkt serwisowy w możliwie krótkim terminie, nieprzekraczającym 14 dni roboczych. Okres gwarancji przedłuża się o czas pobytu sprzętu w serwisie. Klient może ubiegać się o wymianę sprzętu na wolny od wad, jeżeli punkt serwisowy stwierdzi na piśmie, że usunięcie wady jest niemożliwe. Aby produkt mógł być przyjęty przez serwis, użytkownik jest zobowiązany dostarczyć oryginały: dowodu zakupu (paragon lub faktura), podbitej i wypełnionej karty gwarancyjnej, certyfikatu instalacji (niektóre produkty).

Gwarancja zostaje unieważniona, jeśli:

■ usterka była widoczna w chwili zakupu, ■ usterka wynika ze zwykłego użytkowania i zużycia, ■ produkt został uszkodzony z powodu złej instalacji, niezastosowania się do instrukcji obsługi lub użytkowania niezgodnego z przeznaczeniem, ■ produkt został uszkodzony z powodu złej konserwacji lub jej braku, ■ produkt został uszkodzony z powodu zanieczyszczenia, wypadku lub okoliczności o charakterze sił wyższych (powódź, pożar, wojny, zamieszki itp.) ■ produkt wykazuje złe działanie z powodu słabego sygnału, zakłóceń elektromagnetycznych itp., ■ produkt został uszkodzony mechanicznie (np. wylamany przycisk, upadek, itp.), ■ produkt został uszkodzony z powodu użycia niewłaściwych materiałów eksploatacyjnych, nośników, akcesoriów, baterii, akumulatorów itp. lub z powodu użytkowania w złych warunkach (temperatura, wilgotność, wstrząsy itp.), ■ produkt był naprawiany lub modyfikowany przez nieautoryzowany personel, ■ użytkownik nie jest w stanie udowodnić zakupu (nieczytelny paragon lub faktura), ■ dane na przedstawionych dokumentach są inne niż na urządzeniu, ■ produkt nie może być zidentyfikowany ze względu na uszkodzenie numeru seryjnego lub plomba gwarancyjnej.

Uab „Senuku Prekybos
Centras“ Garantinis Servisas
Jonavos G. 62, Lt-44192,
Kaunas, Lithuania
Tel.: +370 37 212 146
Tex.: +370 37 212 165
garrem@senukai.lt
www.senukai.lt

Fast Poland, Sp. z o.o.
Sokołowska 10
PL 05-090 Puchały
Poland
Tel.: +48 500 116 777
Fax: +48 22 869 96 13
fastpoland@fastpoland.pl
www.fastpoland.pl



 **FIELDMANN**[®]
Home & Garden Performance