

# Car refrigerator

Translation of the original manual

EN



**SENCOR<sup>®</sup>**

SCM 4233BL

Before first use, please read all instructions contained in this user's manual carefully, even if you are already familiar with using similar products. Only use this appliance in accordance with the instructions described in the user's manual. Keep this user's manual in a safe place where it can be easily retrieved for future use.

We recommend saving the original cardboard box, packaging material, purchase receipt and responsibility statement of the vendor or warranty card for at least the duration of the legal liability for unsatisfactory performance or quality. If you need to ship this appliance, pack it in the original cardboard box to ensure maximum protection during shipping or transport (e.g. when moving or when you need to send this appliance for repair).

EN-1

**TABLE OF CONTENTS**

IMPORTANT SAFETY INSTRUCTIONS.....	3
USER'S MANUAL.....	7
DESCRIPTION OF THE APPLIANCE.....	7
DESCRIPTION OF THE CONTROL PANEL.....	7
BEFORE FIRST USE.....	7
USING THE CAR REFRIGERATOR.....	7
CLEANING AND MAINTENANCE.....	8
TECHNICAL SPECIFICATIONS.....	8
INSTRUCTIONS AND INFORMATION REGARDING THE DISPOSAL OF USED PACKAGING MATERIALS.....	9
DISPOSAL OF USED ELECTRICAL AND ELECTRONIC EQUIPMENT.....	9

## IMPORTANT SAFETY INSTRUCTIONS

- This appliance may be used by children 8 years of age and older and by persons with physical or mental impairments or by inexperienced persons, if they are properly supervised or have been informed about how to use the product in a safe manner and understand the potential dangers.
- Children must not play with the appliance. Cleaning and maintenance performed by the user must not be performed by unsupervised children.
- In the event that the power cord is damaged, have it repaired at a professional service centre to prevent causing a dangerous situation. It is forbidden to use the appliance if it has a damaged power cord.
- The appliance can be used at home, in offices and similar workplaces, in the car, caravan, on a boat or when camping. However, it must not be exposed to rain.
- The appliance may only be powered using a safe low voltage corresponding to the designation on the rating label of the appliance.
- This appliance may be connected to multiple sources of energy. The power cord of this appliance may be connected directly only to a 12 V socket of corresponding shape (e.g. car cigarette lighter socket) or it may be connected to a 230 V ~ power socket only with the supplied power cord.

**Attention:**

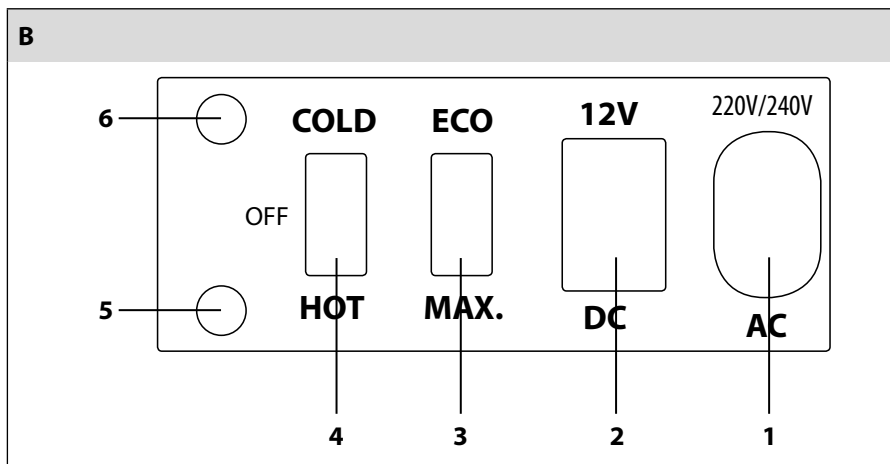
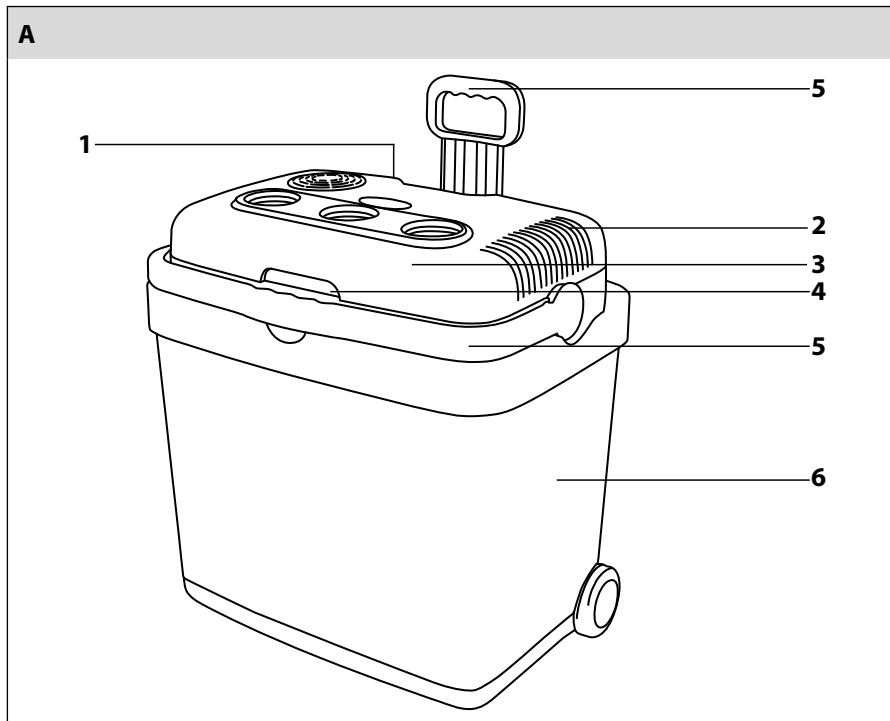
Before you connect the appliance to a 230 V ~ power socket on a boat, make sure that the socket is equipped with a residual current device. Otherwise there is a risk of injury.

- In the food storage area, do not use any electrical devices or store any solvents or explosive substances such as sprays containing flammable propulsive gases.
- Keep the 12 V socket (car cigarette lighter) clean. When cleaning power sockets do not use metal or other conductive items.
- Do not use the appliance in very dusty or humid rooms, e.g. laundries or bathrooms, in areas where chemicals are stored or in industrial surroundings.
- Do not place the appliance in the vicinity of an open flame or appliances that are sources of heat.
- Do not expose the appliance to direct sunlight.
- Make sure that the ventilation openings of the device are not covered during operation and that there is sufficient air circulation around the appliance.
- Take care that the appliance does not tilt over.
- Prior to selecting an operating mode, ensure that the appliance has been turned off for at least 30 minutes. Do not suddenly switch between the operating modes.
- Do not fill the appliance with ice or pour any liquids into it.
- Do not submerge the power cord or plug in water or any other liquid.
- Do not leave the appliance without supervision when it is connected to an el. power source.

- Always disconnect the appliance from the power socket when not be using it, and before moving or cleaning it.
- Do not disconnect the appliance from the power source by pulling on the power cord. This could damage it or the power socket. Disconnect the cord by gently pulling the plug of the power cord.
- Make sure the power cord is not touching a hot surface.
- Do not use the appliance if it is not working correctly, if it has been damaged or has been submerged in water. Have all repairs or adjustments of the appliance performed at an authorised service centre. Tampering with the appliance during the warranty period may void the warranty.
- The manufacturer is not responsible for damages or injuries arising from the incorrect use of the appliance or unqualified handling.

## Car refrigerator

SCM 4233BL



## USER'S MANUAL

- Prior to using this appliance, please read the user's manual thoroughly, even in cases, when one has already familiarised themselves with previous use of similar types of appliances. Only use the appliance in the manner described in this user's manual. Keep this user's manual in a safe place where it can be easily retrieved for future use.
- We recommend saving the original cardboard box, packaging material, purchase receipt and responsibility statement of the vendor or warranty card for at least the duration of the legal liability for unsatisfactory performance or quality. In the event of transportation, we recommend that you pack the appliance in the original box from the manufacturer.

### DESCRIPTION OF THE APPLIANCE

- A1** Control panel
- A2** Vents
- A3** Lid
- A4** Lid handle

- A5** Carry handle
- A6** Food and beverage storage area, volume 33 l  
12 V power cord (not shown)  
230 V power cord (not shown)

### DESCRIPTION OF THE CONTROL PANEL

- B1** 230 V power cord connection socket
- B2** 12 V power cord connection socket
- B3** MAX/ECO switch
- B4** Operating mode switch: HOT (heating) – OFF – COLD (cooling)

- B5** COLD (cooling) operating mode indicator light
- B6** HOT (heating) operating mode indicator light

### BEFORE FIRST USE

- Before first use, take the appliance and its accessories out of the packaging material and remove all promotional labels and stickers. Check that neither the appliance nor any of its parts is damaged.
- Wipe the inside area of the car refrigerator using a soft sponge lightly dampened in warm water and wipe dry with a clean wiping cloth.

### USING THE CAR REFRIGERATOR

- This car refrigerator is used for cooling food and beverages or for keeping them warm. We recommend sufficiently cooling (or heating) the food prior to placing it inside the car refrigerator to keep it cool (warm) for longer for the entire time that the car refrigerator is in operation.
1. Open the lid **A3** and place the food and drinks into the inner area of the car refrigerator. We recommend storing food and drinks in their original packaging or in other suitable packaging.
  2. Close the lid and position the car refrigerator on a secure surface within reach of a power source. To provide for proper ventilation and to prevent the accumulation of heat, ensure that there is sufficient space around the car refrigerator.
  3. When using the car refrigerator inside a vehicle, insert the 12 V power cord plug into the car cigarette lighter and then insert the end into socket **B2**.
  4. When using the car refrigerator at home, insert the 230 V power cord plug into a power socket and then insert the power cord end into socket **B1**.
  5. Use switch **B4** to select the operating mode: COLD (cooling) or WARM (warming). The indicator light of the selected operating mode will be lit. When you set COLD mode, you can select MAX or ECO modes. Use MAX mode to switch the product to the lowest temperature. Use ECO mode to save the energy (but it cannot reach the lowest temperature).
  6. When you have finished using the car refrigerator, set switch **B4** to position OFF, and disconnect the power cord from the power source.



#### Note:

Maximum cooling capacity of the car refrigerator is 18 °C below the ambient temperature. It is recommended to thoroughly cool food and drinks before placing them in the car refrigerator.

# Car refrigerator

SCM 4233BL



## Attention:

If you wish to use the car refrigerator for cooling medication, first make sure that the cooling capacity is sufficient for the given medication.



## Note:

The heating mode is primarily intended for keeping heated food and drinks warm. Heated food and drinks will remain warm for several hours even after the car refrigerator is turned off, under the condition that the lid **A3** remains properly shut.

If you wish to heat cold food and drinks in the car refrigerator, it is necessary to expect a longer heating time. The maximum heating temperature is 60 °C.

## CLEANING AND MAINTENANCE

- Before cleaning, disconnect the power cord from the power supply and from the connection socket in the car refrigerator.
- For cleaning, do not use cleaning products with an abrasive effect, solvents, etc. that could damage the appliance.



## Warning:

To prevent the risk of injury by electrical shock, do not submerge the appliance, power cords or power plugs in water or any another liquid.

- Keep the car refrigerator clean. Regularly wipe it with a soft sponge lightly dampened in warm water and then wipe dry using a clean wiping cloth. Make sure that water does not enter into the vents.

## Storage

- Before storing it, check that the appliance perfectly clean and dry.
- Store the appliance in a dry, clean and well-ventilated location not exposed to extreme temperatures and out of children's reach.

## TECHNICAL SPECIFICATIONS

Rated voltage.....	12 V / 230 V~
Rated frequency .....	50 Hz
Rated power input .....	60 W
Maximum cooling capacity .....	16 - 18 °C below the ambient temperature
Maximum heating capacity .....	50 °C – 60 °C
Climatic class.....	SN
Insulation.....	PP (polypropylene)
Volume .....	33 l
12 V power cord length.....	2 m
230 V power cord length .....	1.8 m
Dimensions (w x h x d) .....	450 x 340 x 480 mm
Weight .....	7 kg



Safety class for electrical shock protection:

Class II – Electrical shock protection is provided by double or heavy-duty insulation.

We reserve the right to change text and technical specifications.



# Car refrigerator

SCM 4233BL

EN

## INSTRUCTIONS AND INFORMATION REGARDING THE DISPOSAL OF USED PACKAGING MATERIALS

Dispose of used packaging material at a site designated for waste in your municipality.

## DISPOSAL OF USED ELECTRICAL AND ELECTRONIC EQUIPMENT



This symbol on products or original documents means that used electric or electronic products must not be added to ordinary municipal waste. For proper disposal, renewal and recycling hand over these appliances to determined collection points. Alternatively, in some European Union states or other European countries you may return your appliances to the local retailer when buying an equivalent new appliance.

Correct disposal of this product helps save valuable natural resources and prevents potential negative effects on the environment and human health, which could result from improper waste disposal. Ask your local authorities or collection facility for more details.

In accordance with national regulations penalties may be imposed for the incorrect disposal of this type of waste.

### For business entities in European Union states

If you want to dispose of electric or electronic appliances, ask your retailer or supplier for the necessary information.

### Disposal in other countries outside the European Union.

This symbol is valid in the European Union. If you wish to dispose of this product, request the necessary information about the correct disposal method from the local council or from your retailer.



This product meets all the basic requirements of EU directives related to it.